


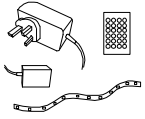
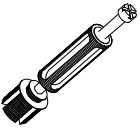

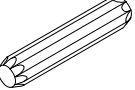
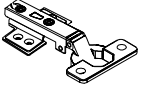
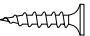

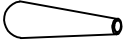


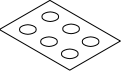
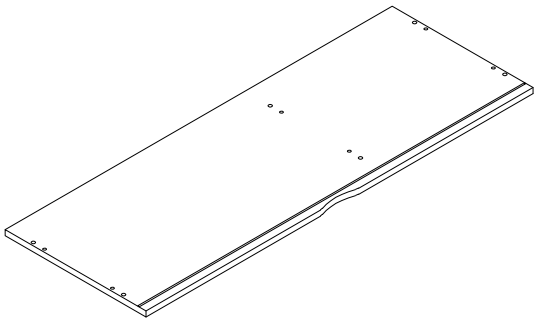


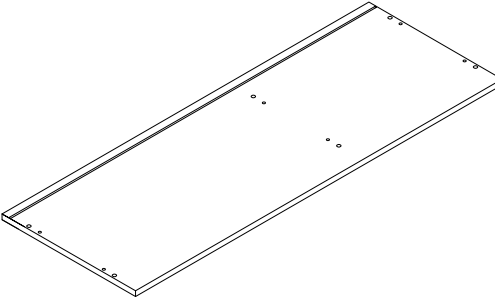
K  4PCS	L  8PCS	M 3*12  8PCS	LED  1PCS						
A  12PCS	B  12PCS	C 8*40  12PCS	D  2PCS	E 3.5*14  19PCS	F 6*30  6PCS	G 150mm  1PCS	H  1PCS	I  4PCS	J  4PCS

1 1100*400



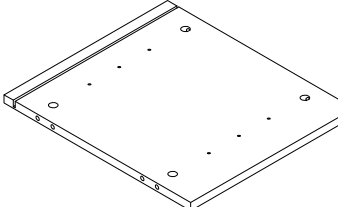
1PCS

2 1100*400



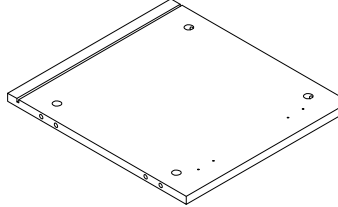
1PCS

3 350*400



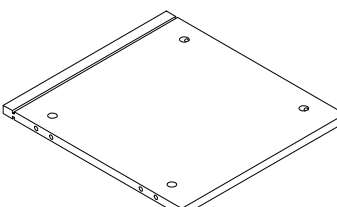
1PCS

4 350*383



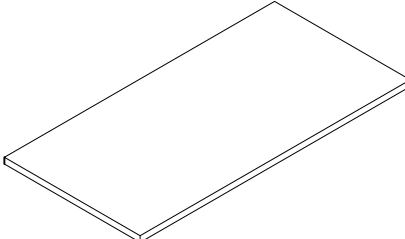
1PCS

5 350*383



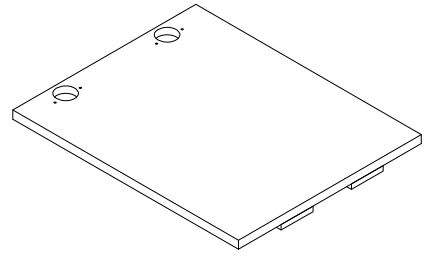
1PCS

6 655*354



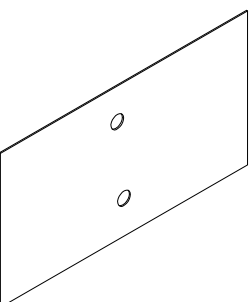
1PCS

7 346*426



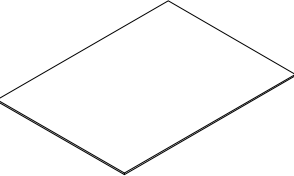
1PCS

8 667*360



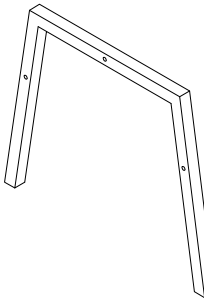
1PCS

9 404*360



1PCS

10



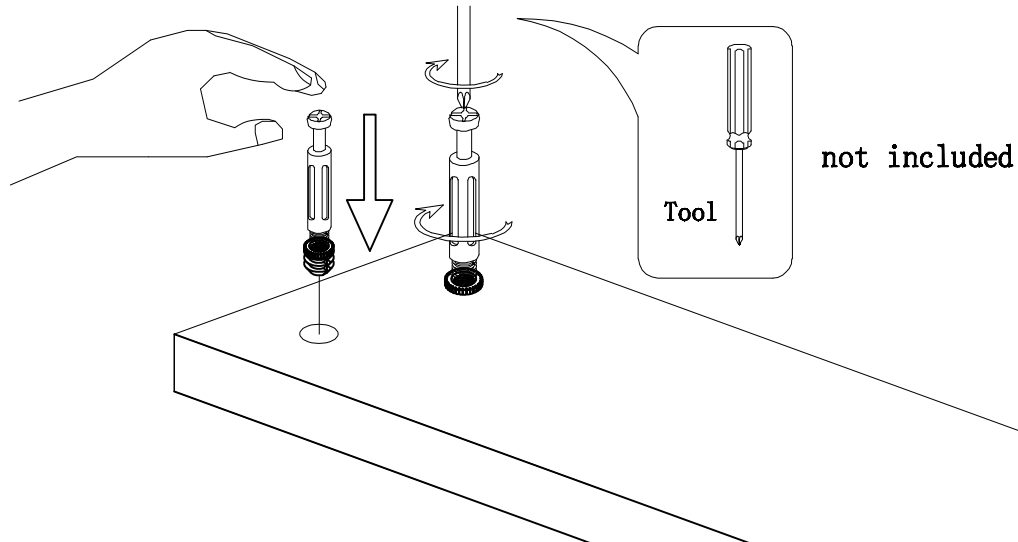
2PCS



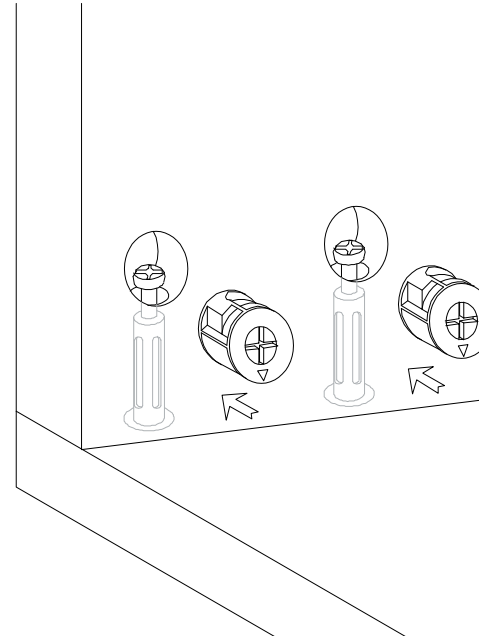
Hardware installation demonstration

NOTE: Please make sure "A" hardware tightened and can't be pulled out!

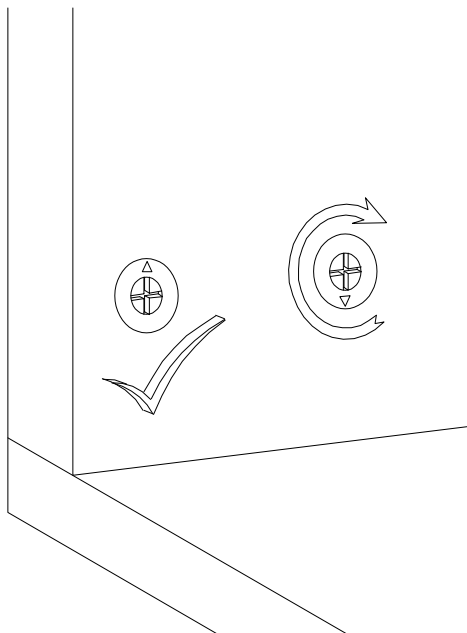
I



II



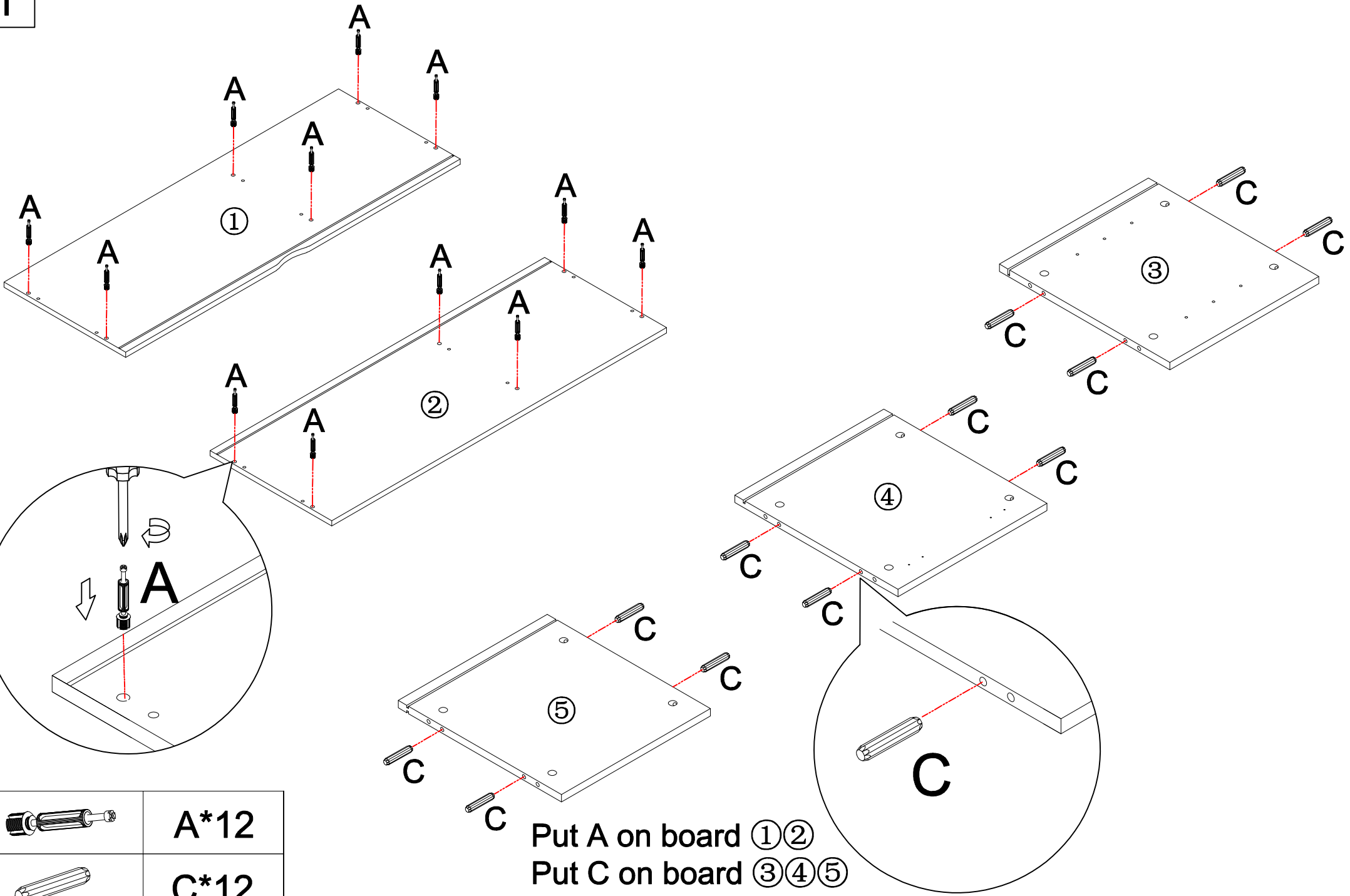
III



IV



Scan QR code for assembly video



A*12



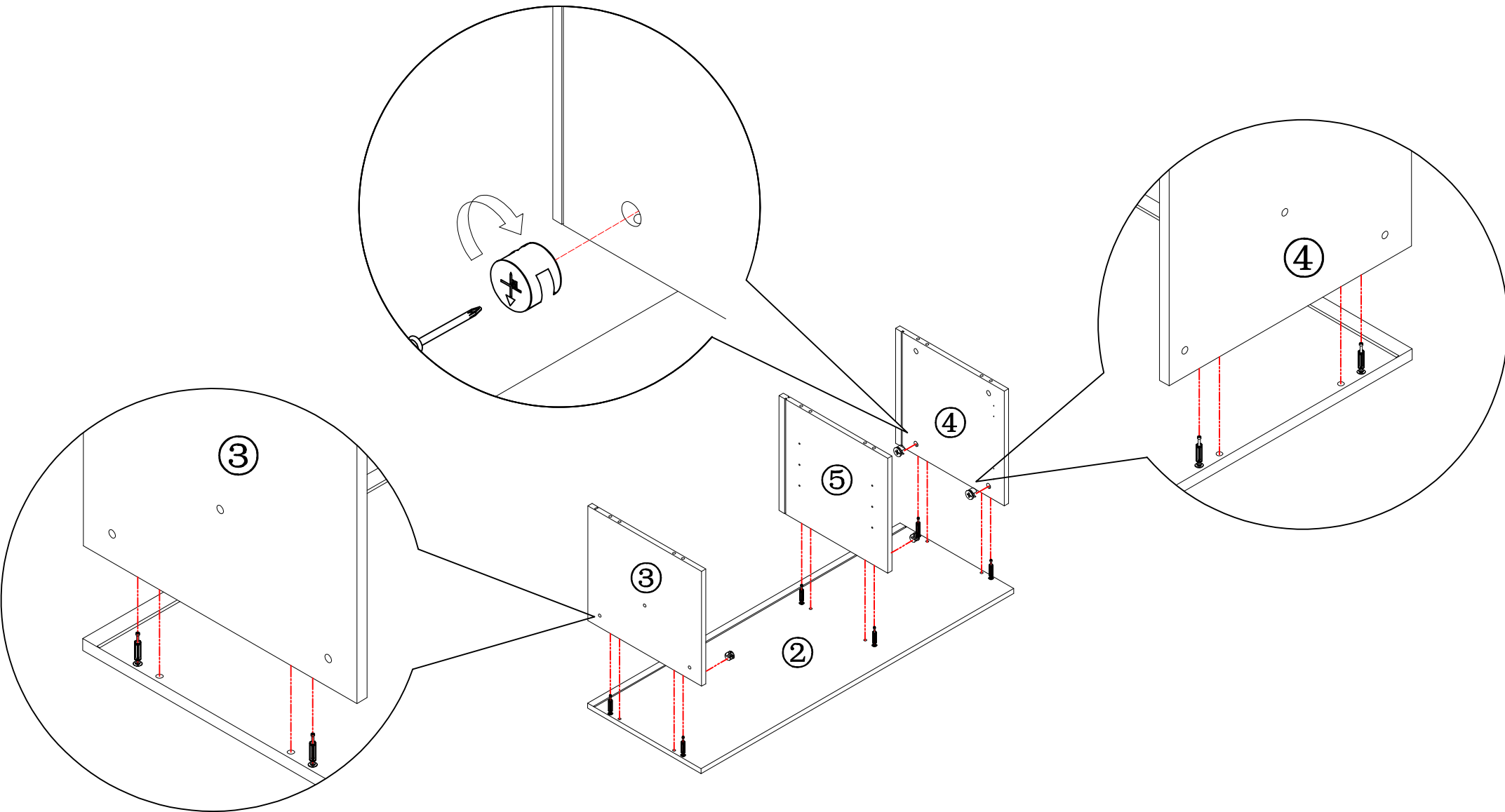
C*12

Put A on board ①②

Put C on board ③④⑤

2

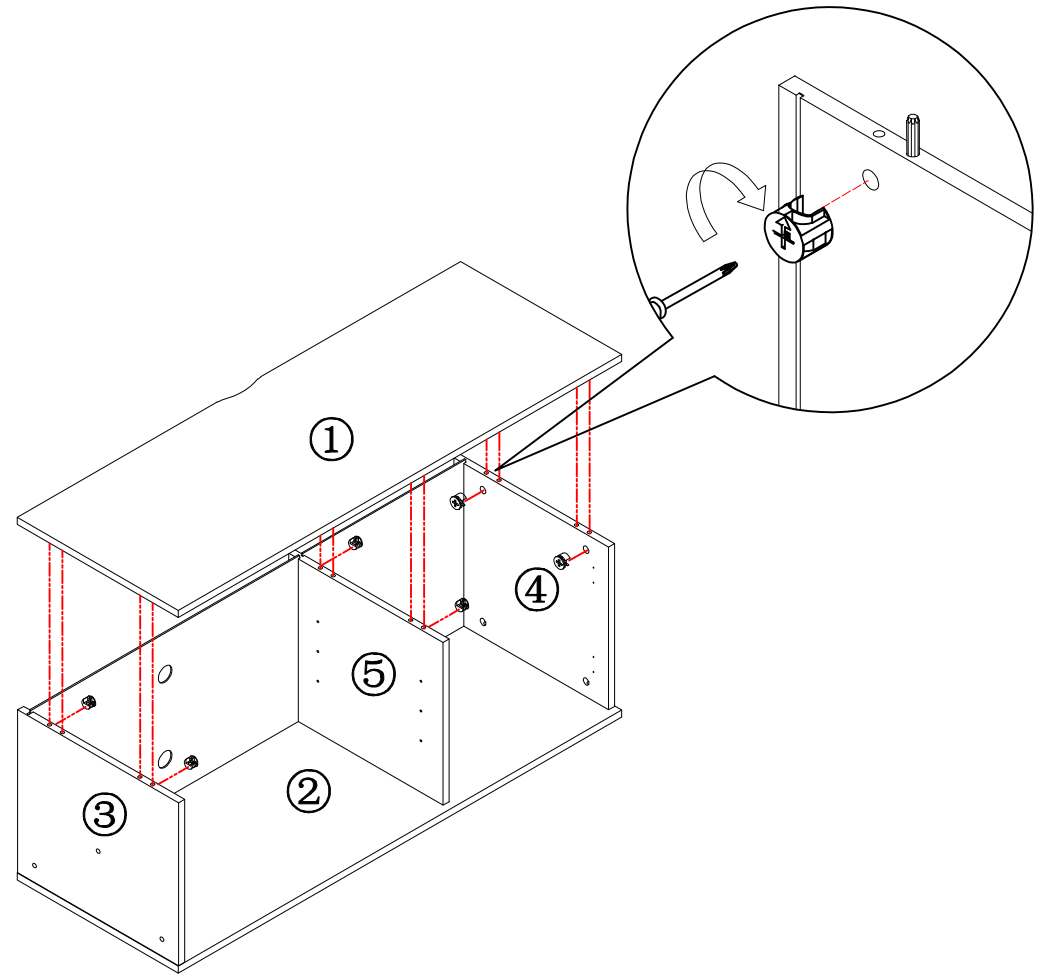
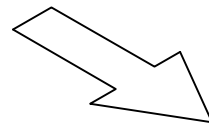
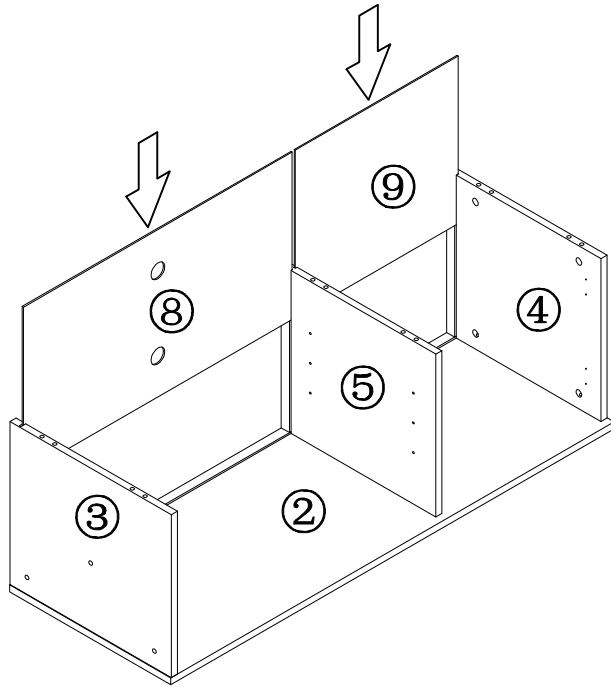
Make sure the arrow on the screw align to the hole on the side



B*6

Put B on board ③④⑤

3

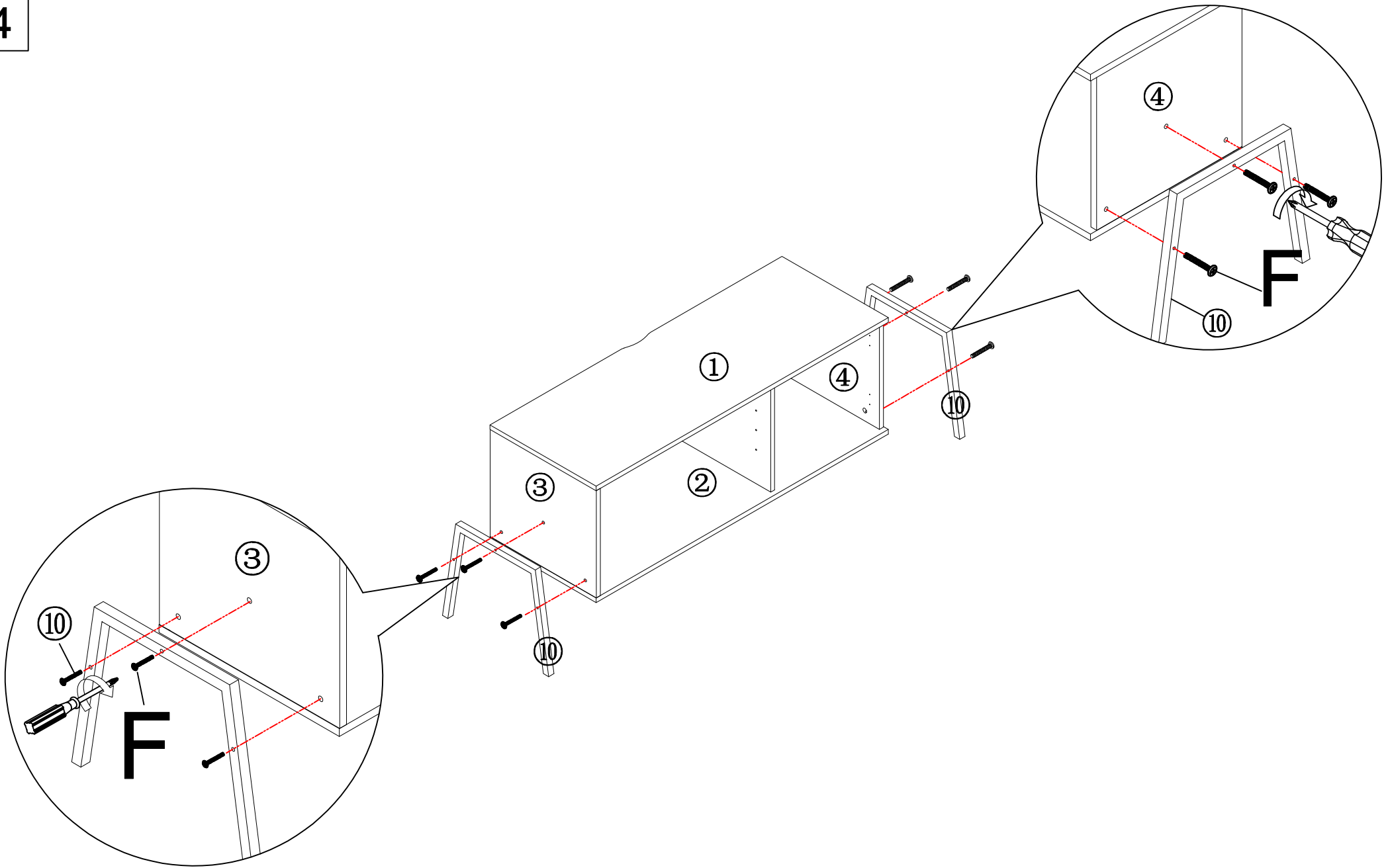


Put B on board ③④⑤



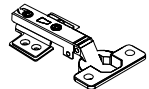
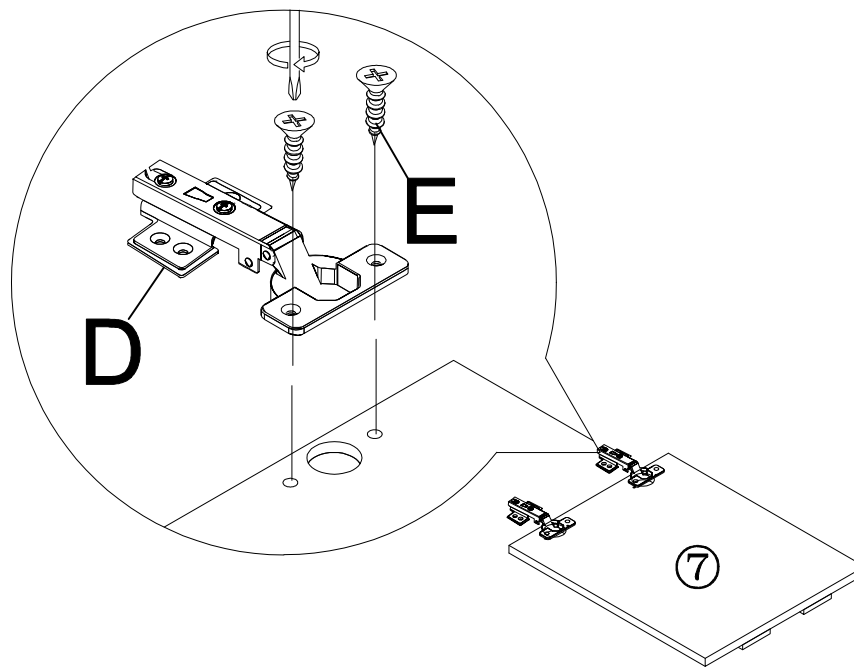
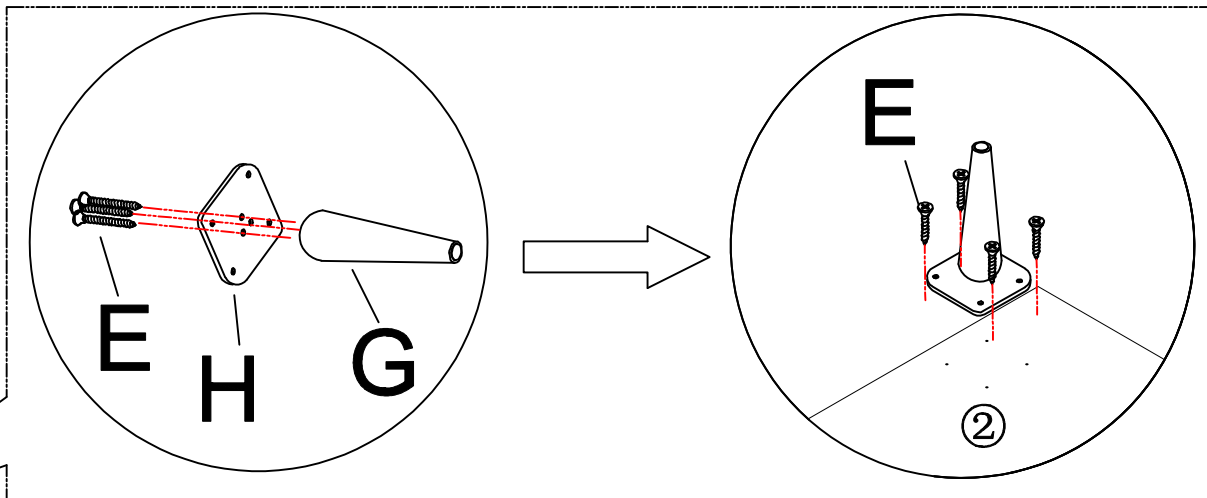
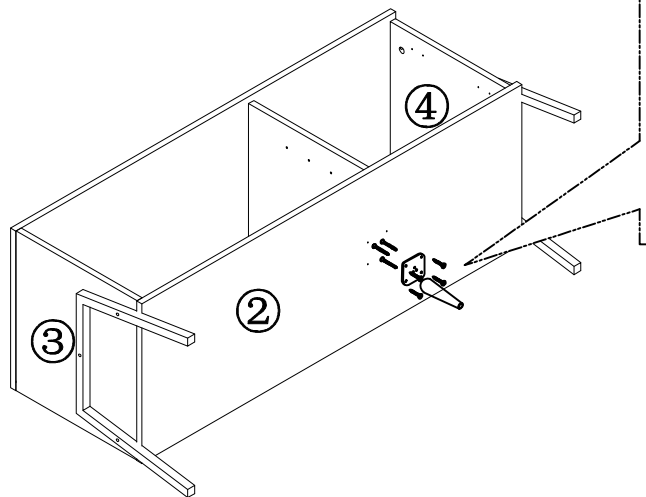
B*6

4



F*6

5



D*2



E*11

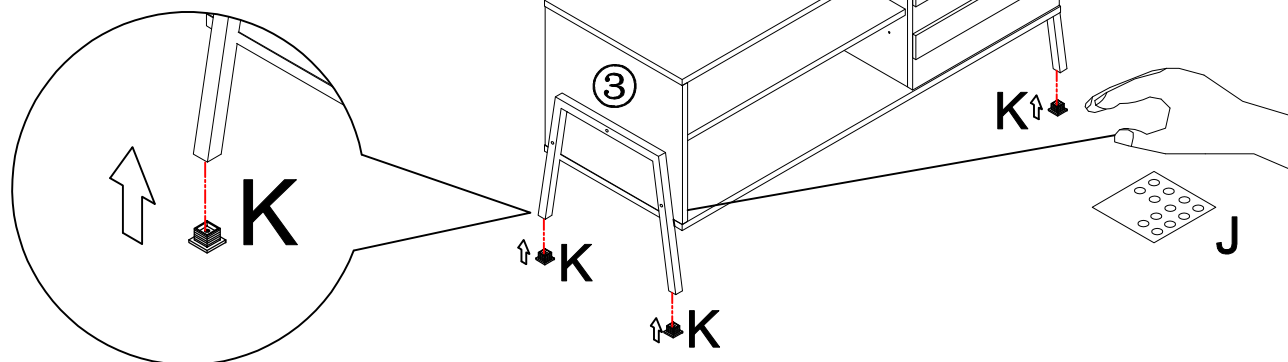
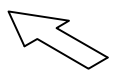
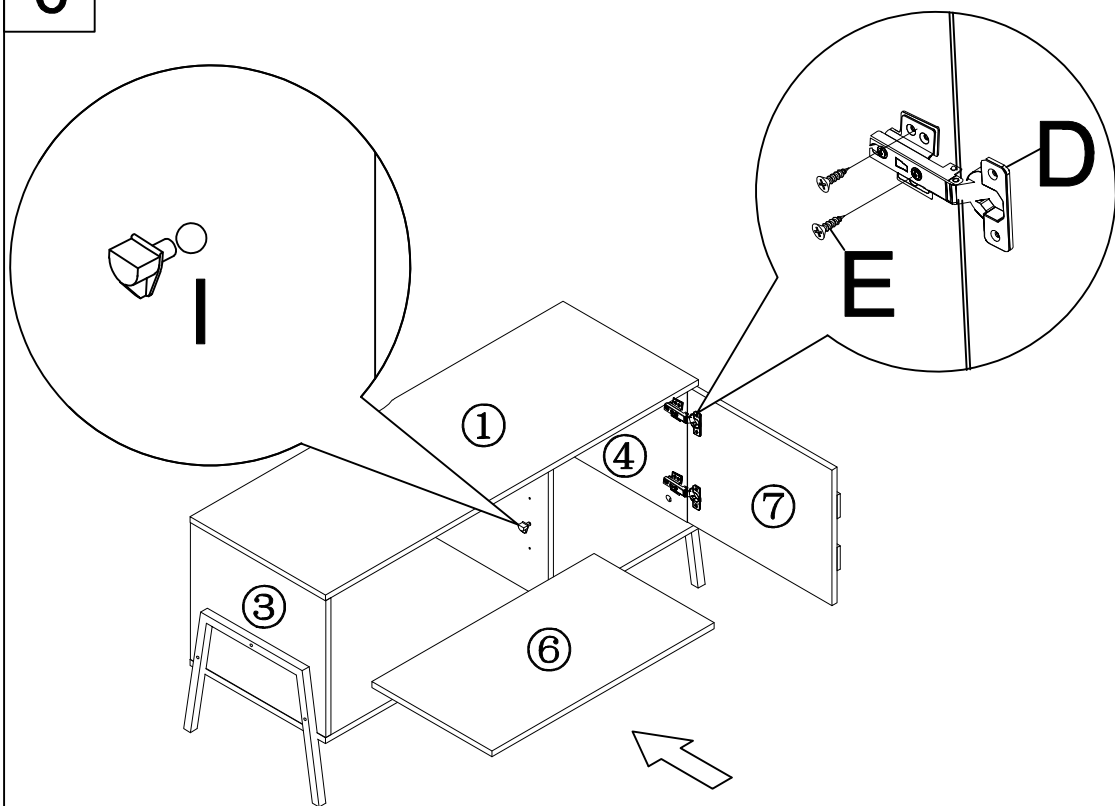


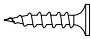

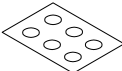

G*1



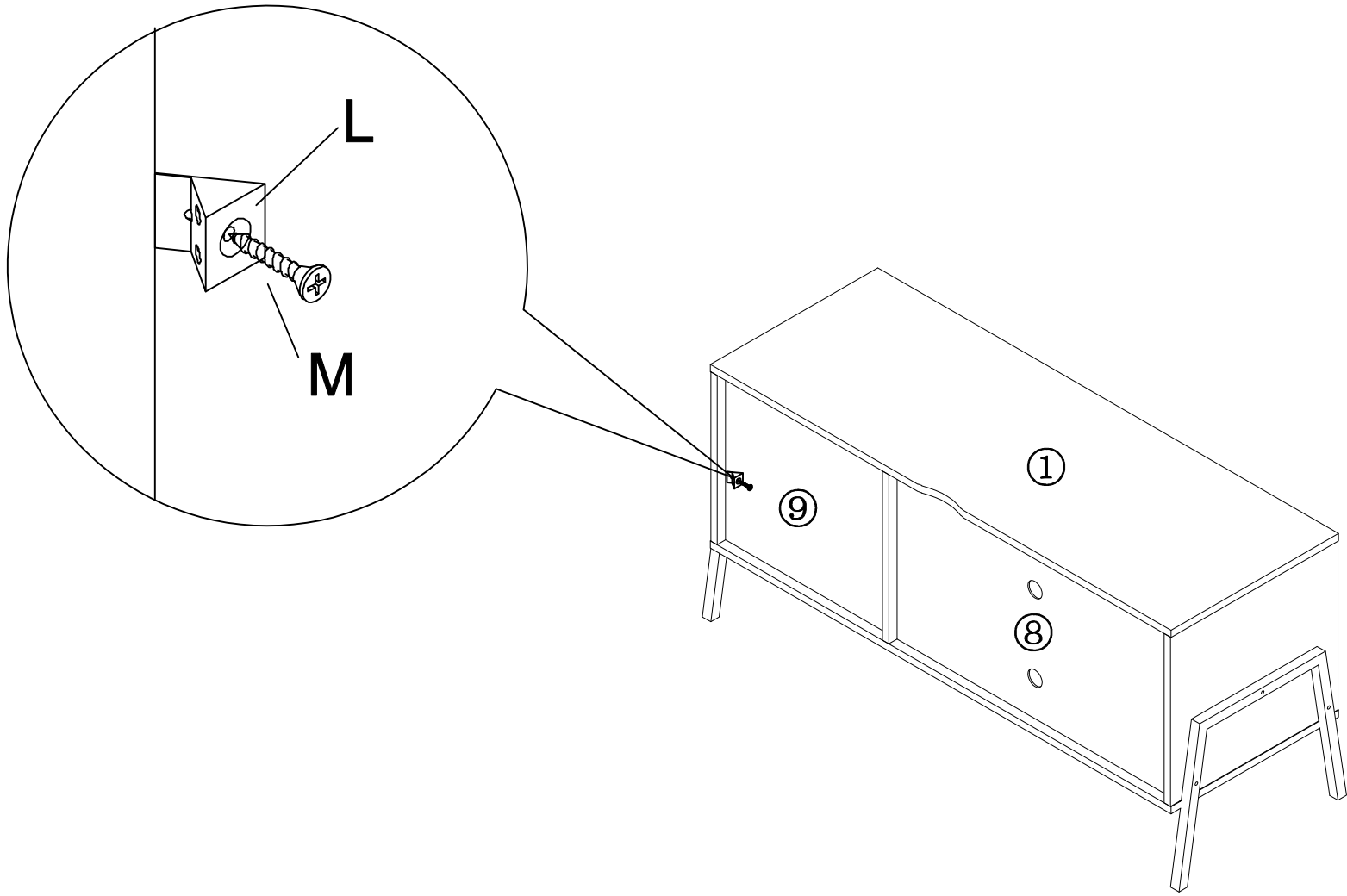
H*1

6



	E*8
	I*4
	J*4
	K*4

7



L*8

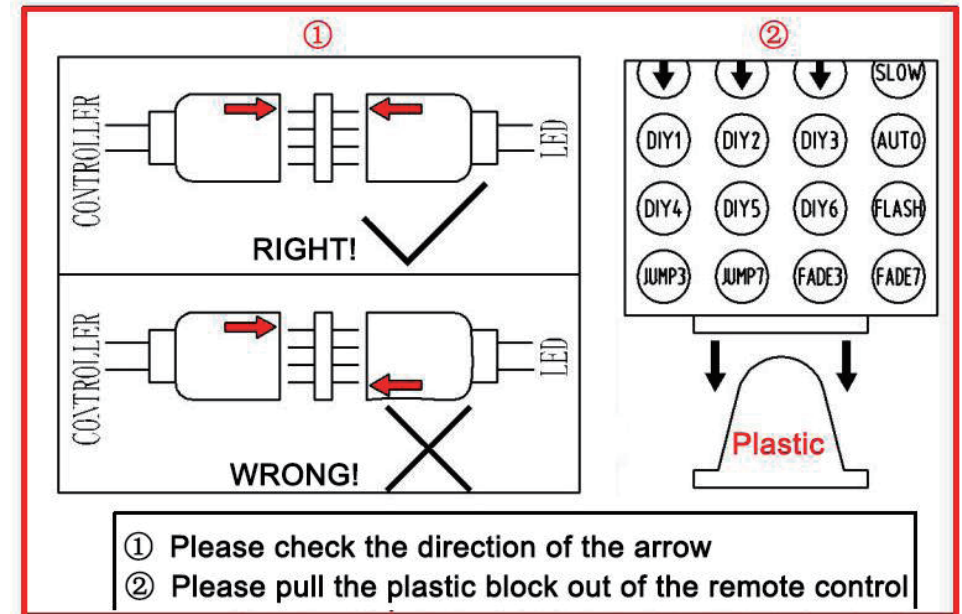


M*8

LED Light

If you can't let the lights work successfully, please check the following:

1. Please check the direction of the connect, try it in the opposite direction, according to the following picture.
2. Please check the remote control, it need you to tear down the plastic septum before use it.
3. Don't let the remote control too far from the receiver, make sure there is no obstruction between them.



END

