

VEVOR[®]

TOUGH TOOLS, HALF PRICE

Technical Support and E-Warranty Certificate www.vevor.com/support

SIDE AWNING USER MANUAL

We continue to be committed to provide you tools with competitive price.

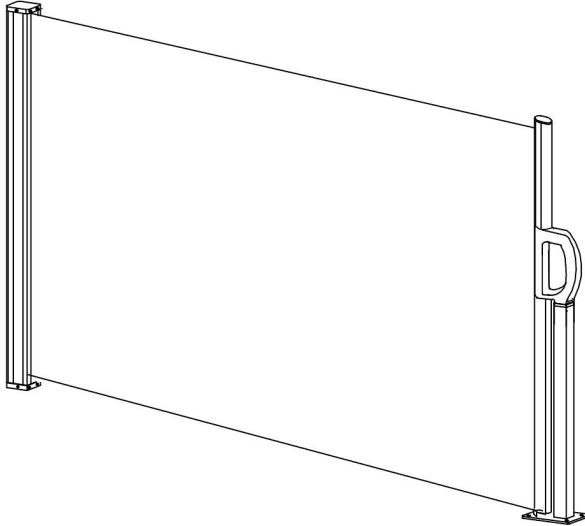
"Save Half", "Half Price" or any other similar expressions used by us only represents an estimate of savings you might benefit from buying certain tools with us compared to the major top brands and does not necessarily mean to cover all categories of tools offered by us. You are kindly reminded to verify carefully when you are placing an order with us if you are actually saving half in comparison with the top major brands.

VEVOR[®]

TOUGH TOOLS, HALF PRICE

SIDE AWNING

Model: H038



NEED HELP? CONTACT US!

Have product questions? Need technical support? Please feel free to contact us:

Technical Support and E-Warranty Certificate
www.vevor.com/support

This is the original instruction, please read all manual instructions carefully before operating. VEVOR reserves a clear interpretation of our user manual. The appearance of the product shall be subject to the product you received. Please forgive us that we won't inform you again if there are any technology or software updates on our product.

SPECIFICATIONS

Model	H038
Product Size	180×350cm
Color	Beige

Model	H038
Product Size	180×350cm
Color	Gray

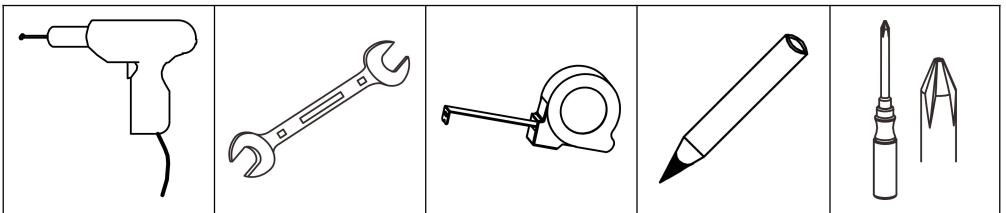
WARNING

1. Do not attempt to set up the Awning in serious windy condition.
2. Keep all flame and heat sources away from the Awning materials. Under no circumstance should any naked flame sources, fuel burning devices or heating devices be used under or near.
3. Keep a fire extinguisher or water bucket nearby.

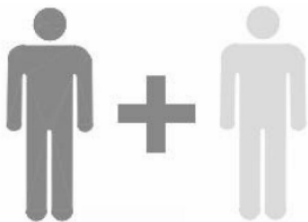
NOTICE

1. Clean with cold water and a soft brush-do not use soap or detergent.
2. Do not expose to petrol, oil or solvents.
3. Avoid creases and seams when rolling up the Awning.

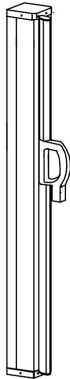
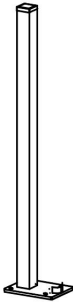



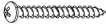




TOOLS



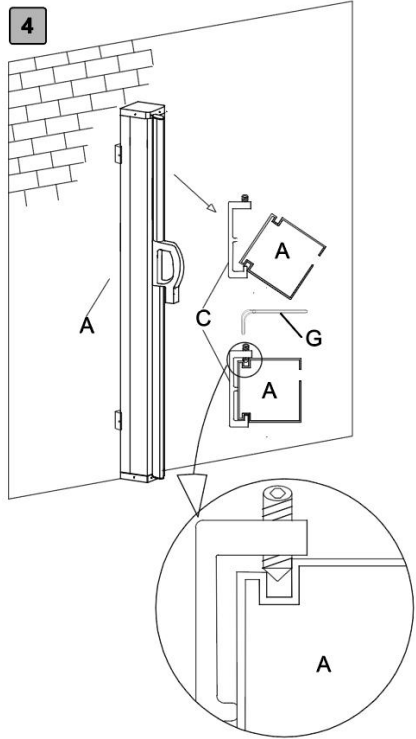
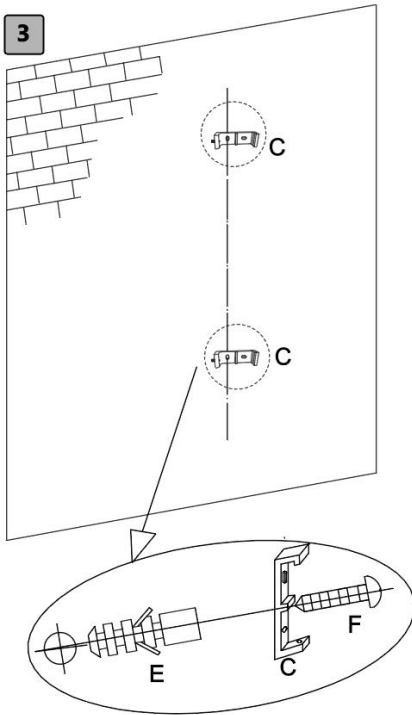
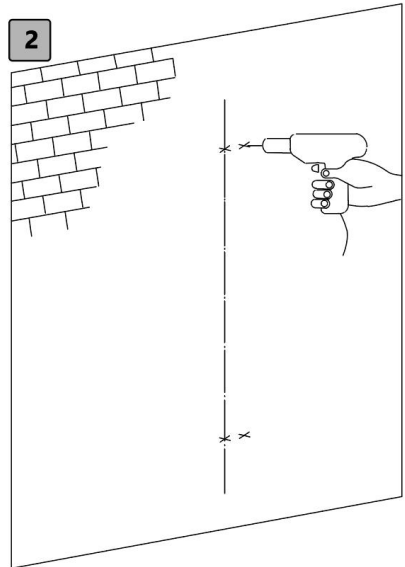
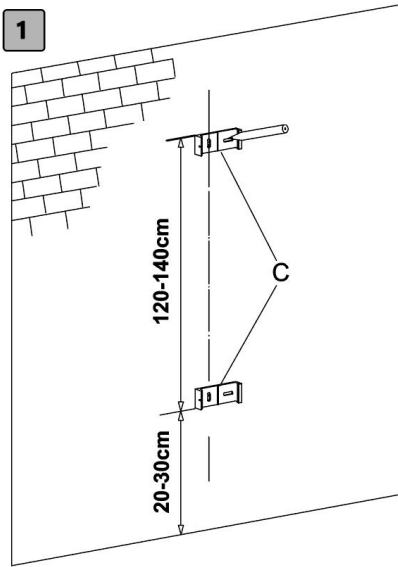
People needed for installation



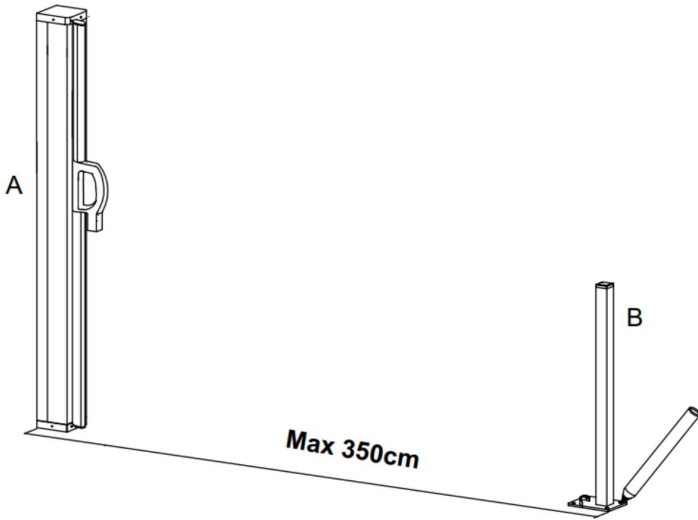
COMPONENTS

<p>A×1</p> 	<p>B×1</p> 	<p>C×2</p> 
<p>D×4</p>  <p>M8*50mm</p>	<p>E×4</p> 	
<p>F×4</p>  <p>ST5*30</p>	<p>G×1</p> 	
<p>H×4</p>  <p>ST8*50mm</p>	<p>J×4</p>  <p>Φ10*48mm</p>	<p>K×4</p>  <p>Φ9</p>

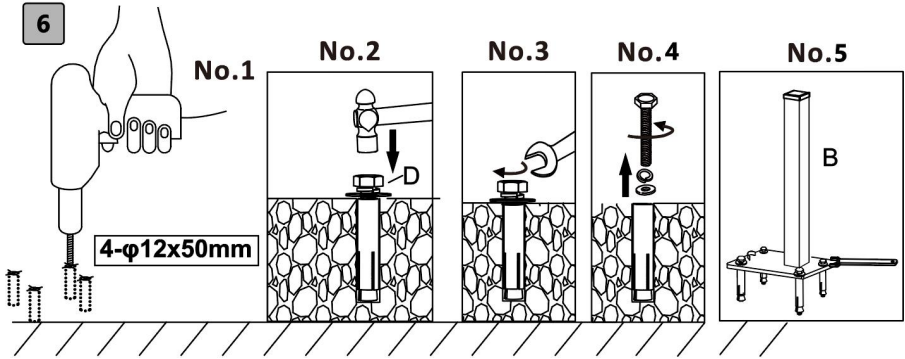
Assembly Instructions



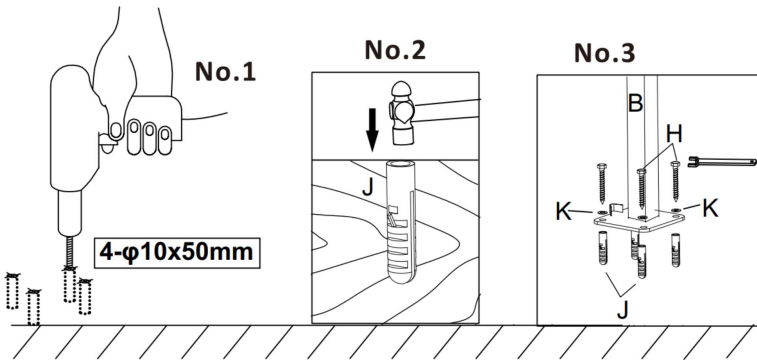
5



6

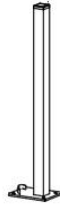


Installed on the concrete floor as shown in the figure above.

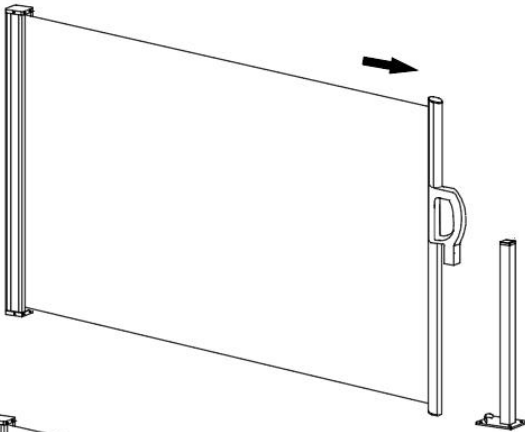


Installed on the wooden floor as shown in the figure above.

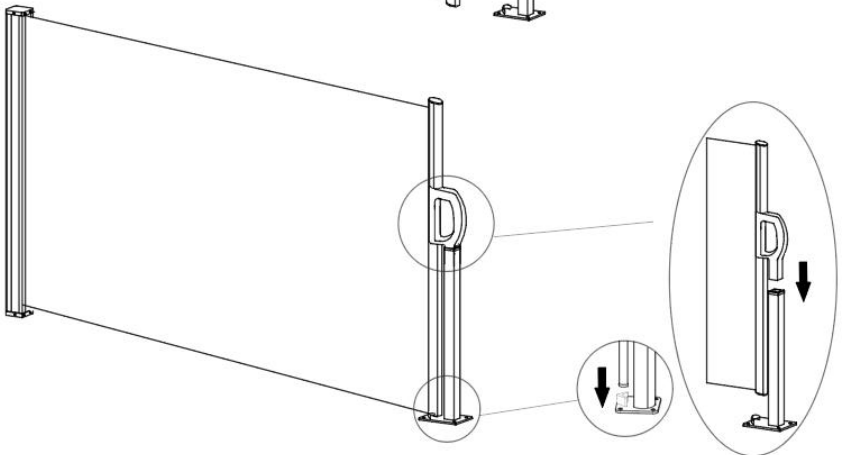
7



8

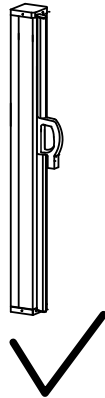
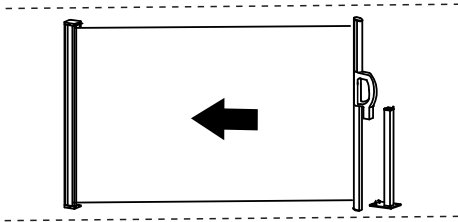
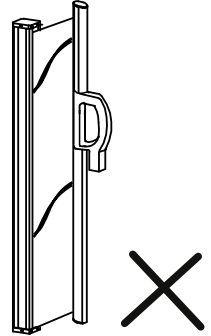
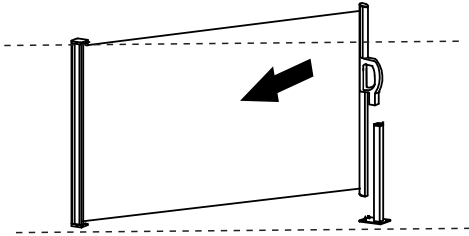


9



Note: There is an automatic cloth recycling device inside the product. If the cloth needs to be closed, please hold the handle tightly and keep the cloth always parallel to the ground plane and slowly recycle the cloth.

If you find wrinkles on the cloth surface and the folding is not smooth, please stop recycling the cloth surface immediately. Pull out the cloth surface again and the folds are smoothed. Try to close again.



Manufacturer: Shanghaimuxinmuyeyouxiangongsi

Address: Shuangchenglu 803nong11hao1602A-1609shi, baoshanqu, shanghai
200000 CN.

EC REP: E-CrossStu GmbH.

Mainzer Landstr.69, 60329 Frankfurt am Main.

UK REP: YH CONSULTING LIMITED.

C/O YH Consulting Limited Office 147, Centurion House, London Road, Staines-
upon-Thames, Surrey, TW18 4AX

Imported to AUS: SIHAO PTY LTD.

1 ROKEVA STREETEASTWOOD NSW 2122 Australia

Imported to USA: Sanven Technology Ltd.

Suite 250, 9166 Anaheim Place, Rancho Cucamonga, CA 91730

VEVOR[®]

TOUGH TOOLS, HALF PRICE

Technical Support and E-Warranty Certificate

www.vevor.com/support