



Innovative Furnishing Inspiration



Buffet Sideboard

ASSEMBLY INSTRUCTION



Furniture should only be used based on the expected purposes and instruction guide. As for the injuries caused by non-compliance with the instruction guide, DOWLVN will not be liable for. Before you assemble and use your new furniture, please read this instruction guide carefully. Please keep this instruction guide in a safe place just in case for the further needs.



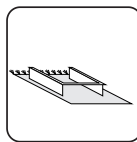
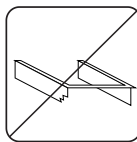
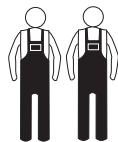
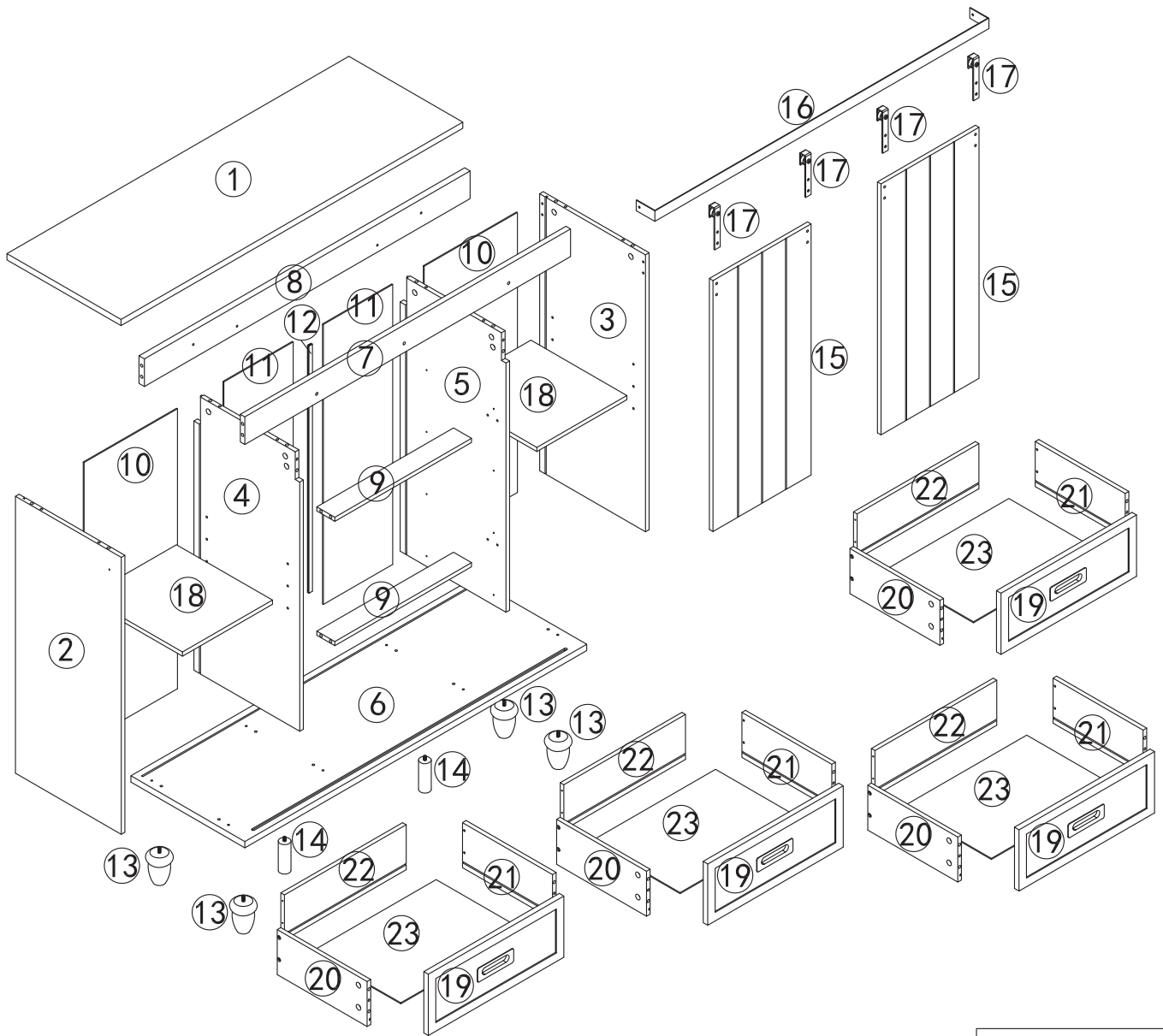
Safety Instructions:

To prevent a body injury or property damage, please read the instruction below carefully.

- If any part is damaged or missed, stop using the furniture.
The damaged or missing parts will influence the furniture's function and safety used.
- Ensure install all components correctly. It will be caused injury if the furniture is installed by mistakes.
- Always ensure the screws and connections are tightened up.
Check them regularly and tighten them up if necessary.
- Keep the small parts away from children! There is a danger of suffocation when swallowed!
Keep the package out of the reach of children.
- Please read the provided assembly instruction carefully.



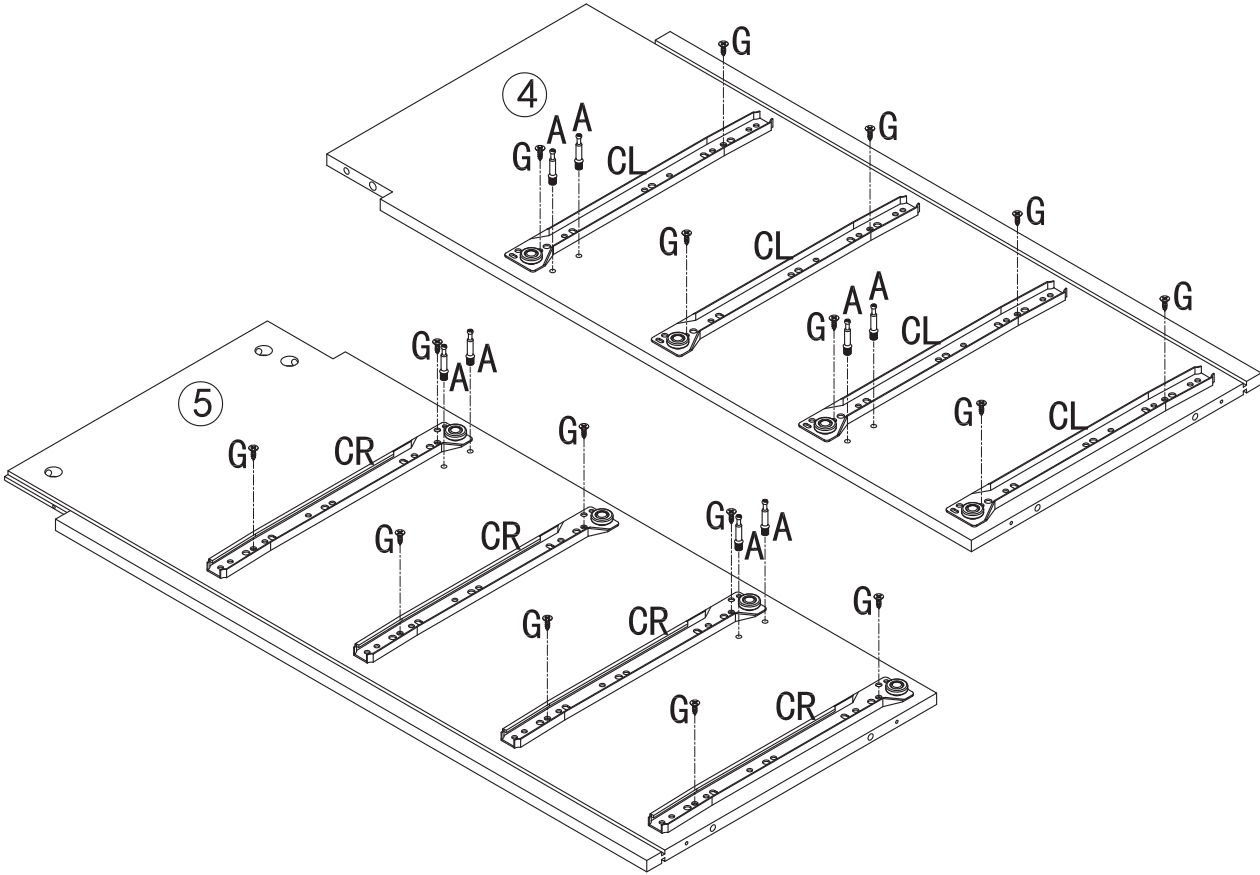
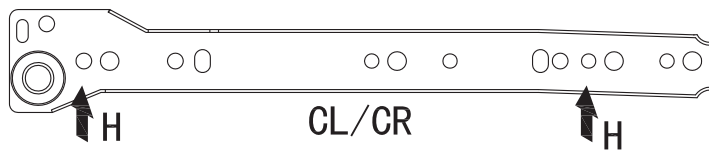
We reserve the right to update the technical issues of the products.

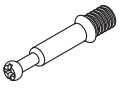
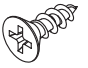
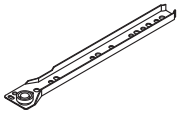
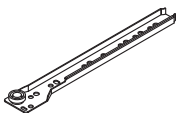


A 42pcs

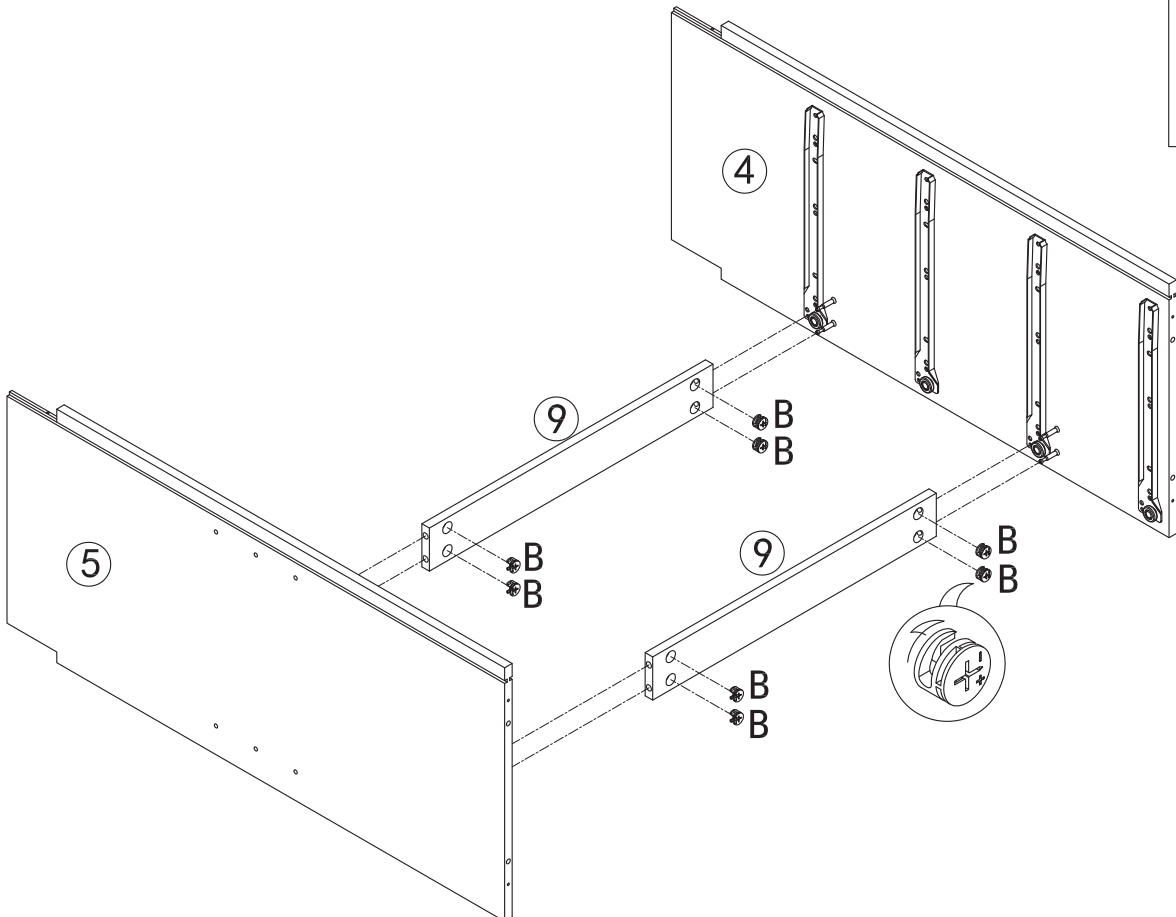
B 42pcs	C 26pcs	D 26pcs	E 2pcs	F 20pcs	G 32pcs
	 Ø 6x30mm	 M4x35mm	 M4x10mm	 M3x14mm	 M3x12mm
H 8pcs	I 3pcs	J 2pcs	K 2pcs	L 12pcs	M 8pcs
 M6x10mm	 M6x25mm		 M4x50mm		
N 4pcs	O 1pc	CL 4pcs	CR 4pcs	DL 4pcs	DR 4pcs

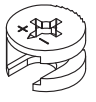
Step 1



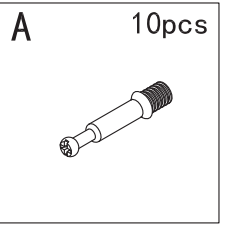
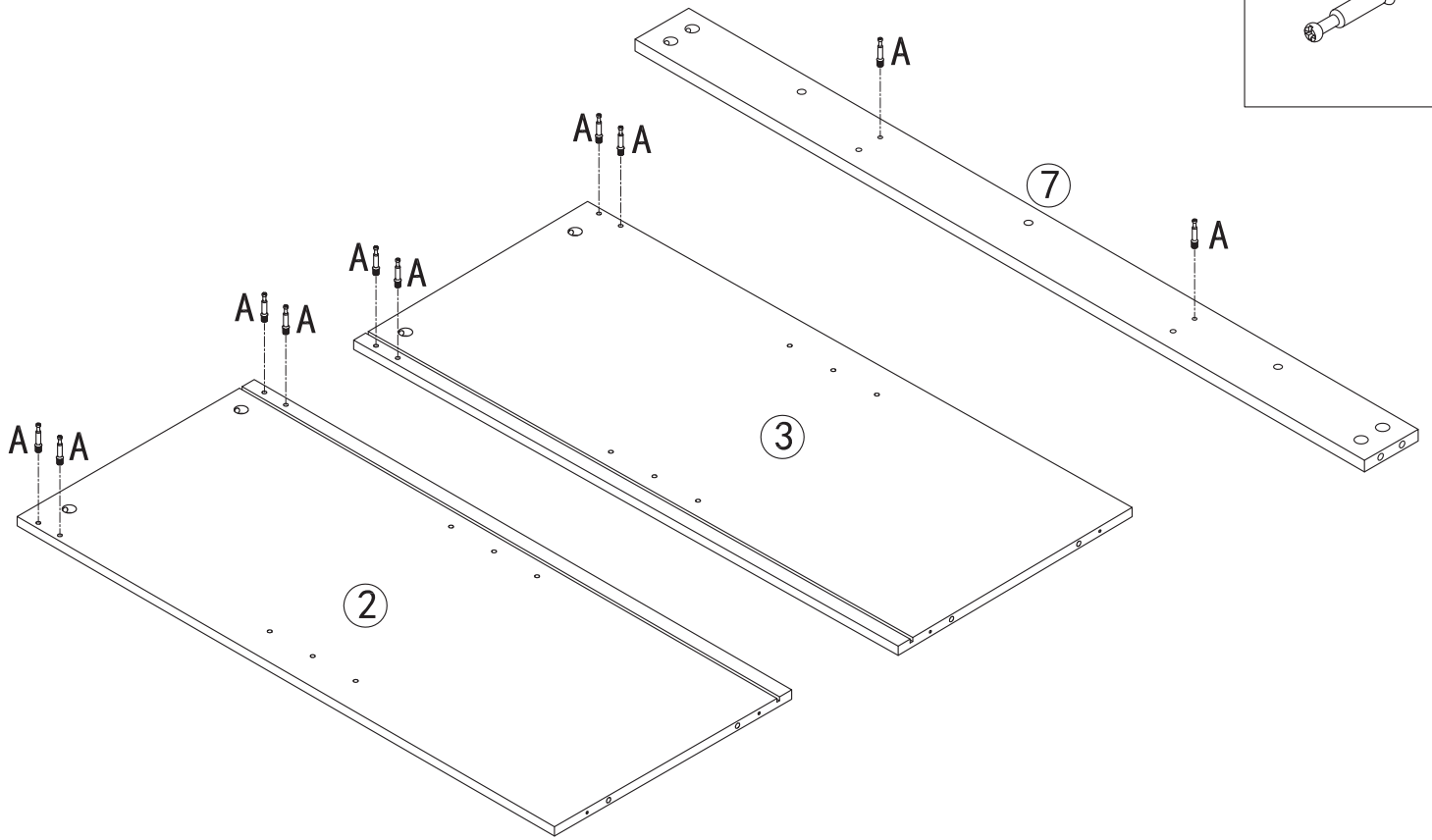
A	8pcs
	
G	16pcs
	
	M3x12mm
CL	4pcs
	
CR	4pcs
	

Step 2

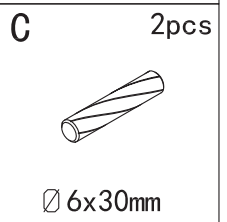
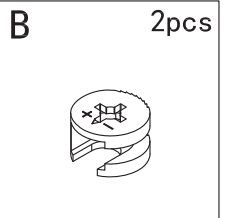
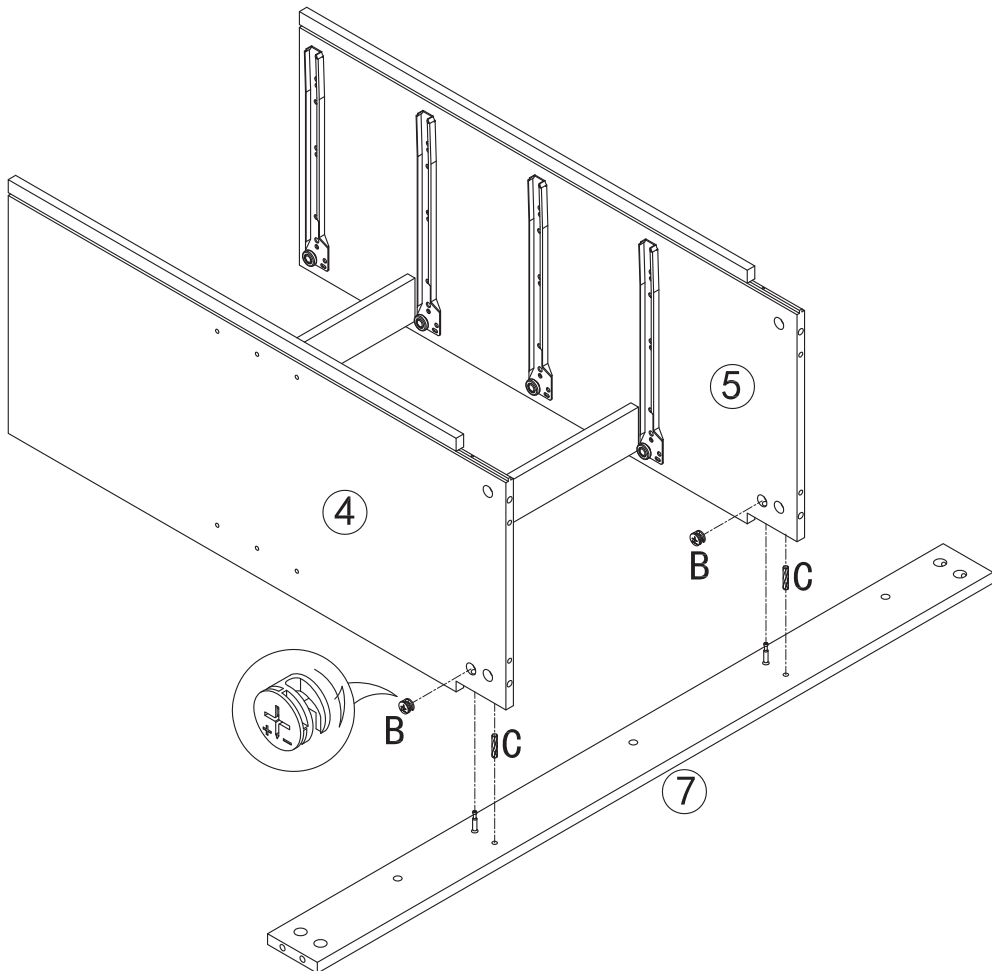


B	8pcs
	

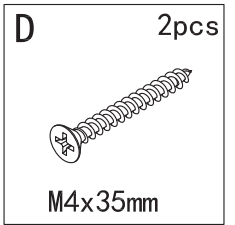
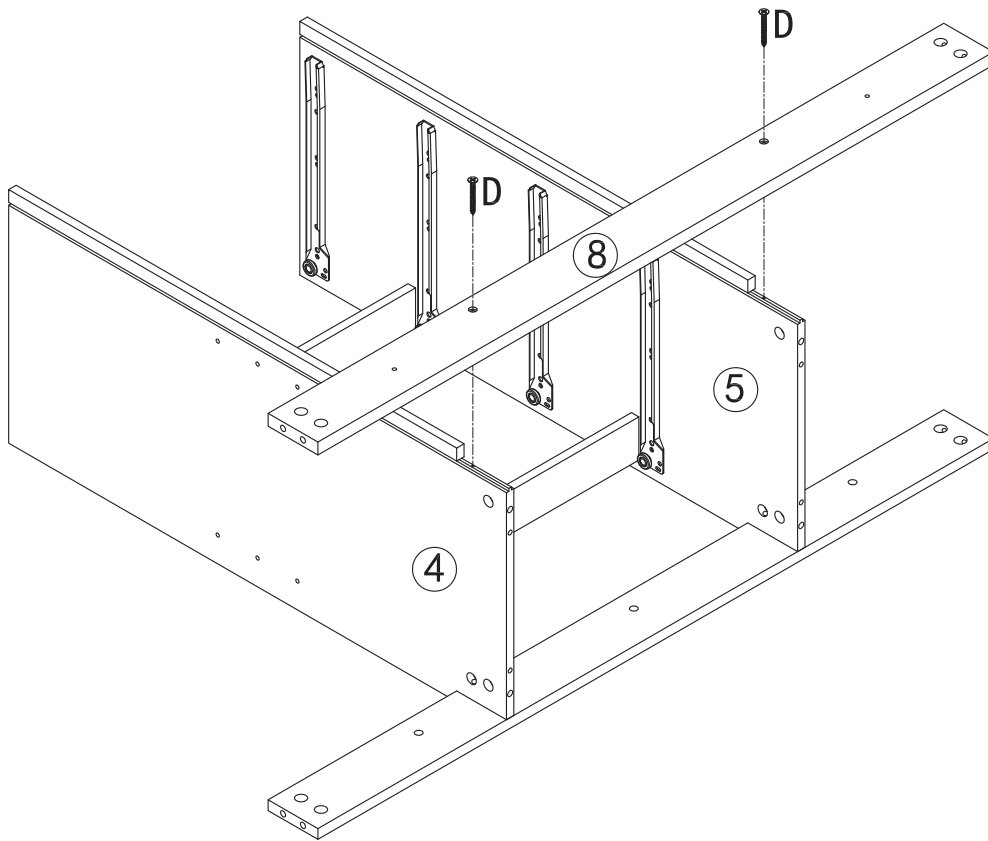
Step 3



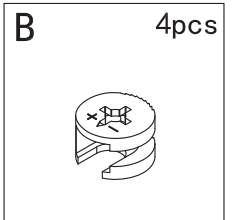
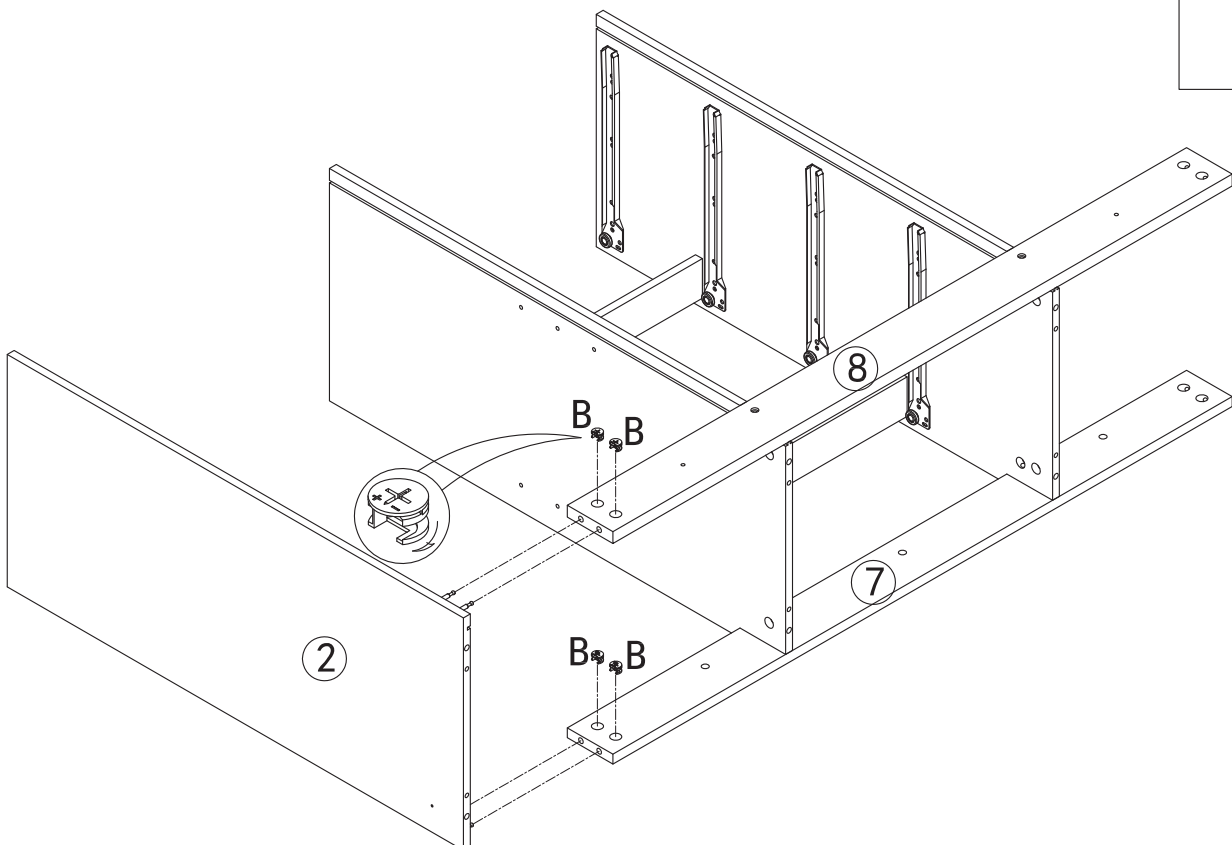
Step 4



Step 5

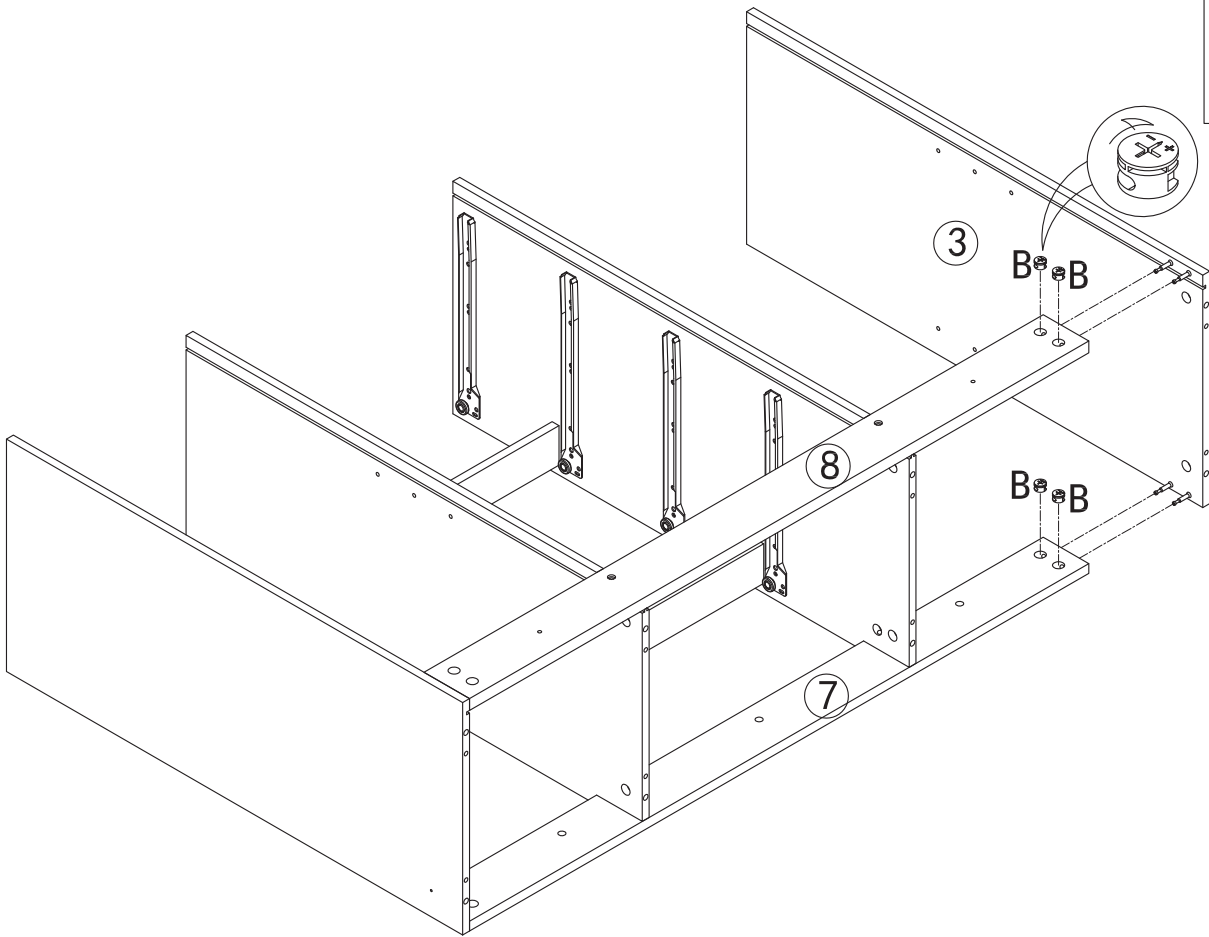
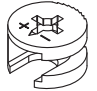


Step 6




Step 7

B 4pcs



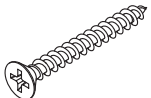
Step 8

C 8pcs

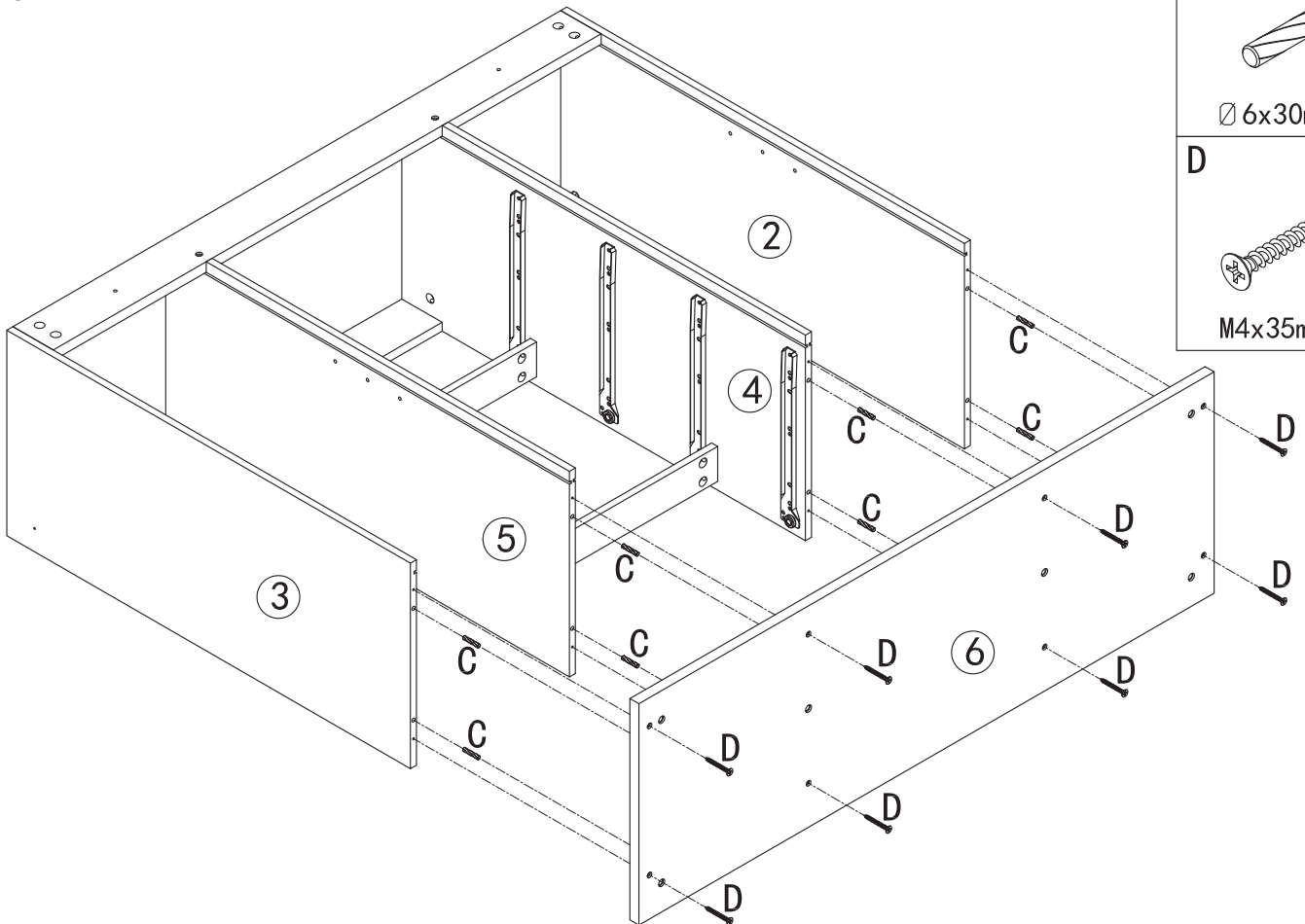


$\varnothing 6 \times 30 \text{mm}$

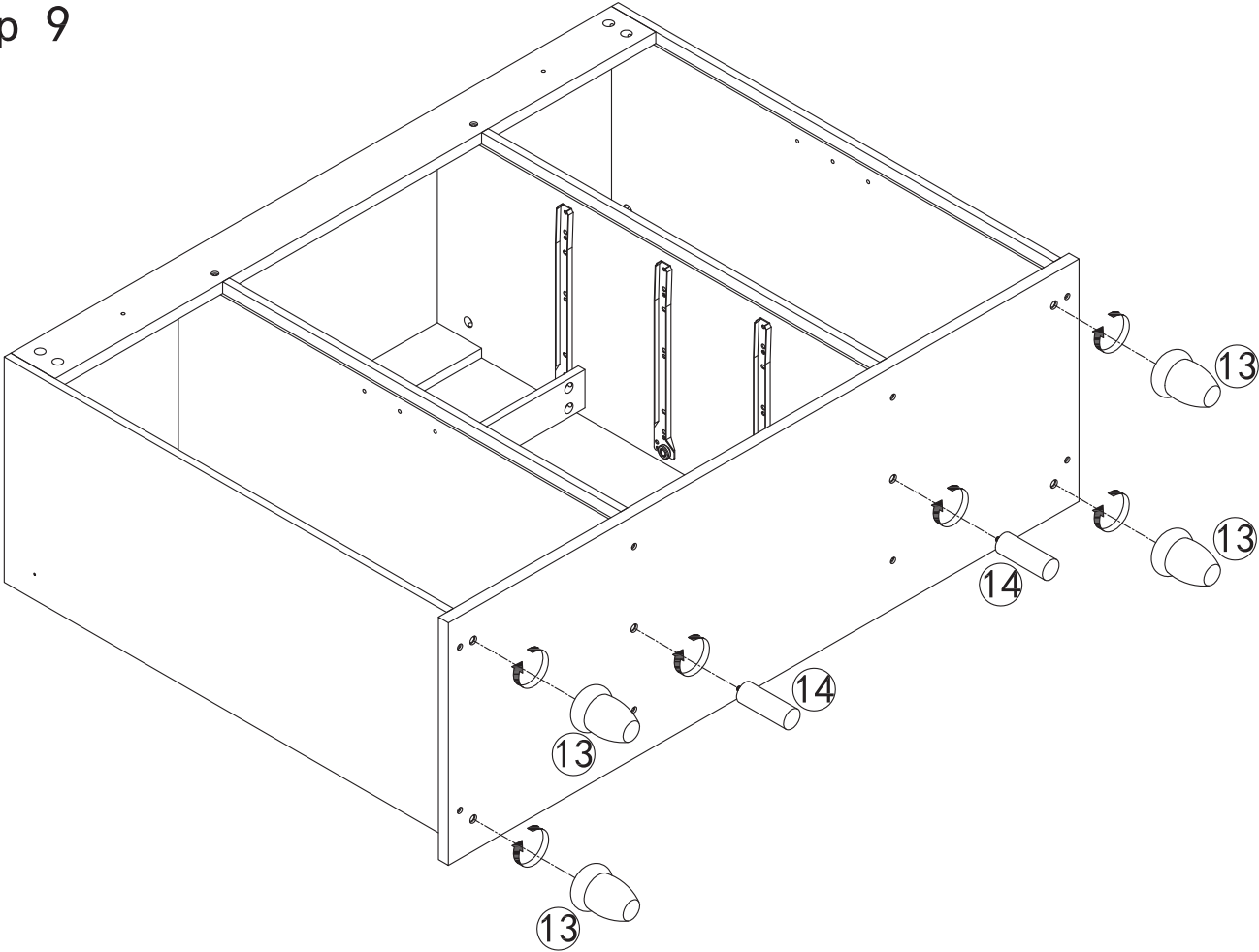
D 8pcs



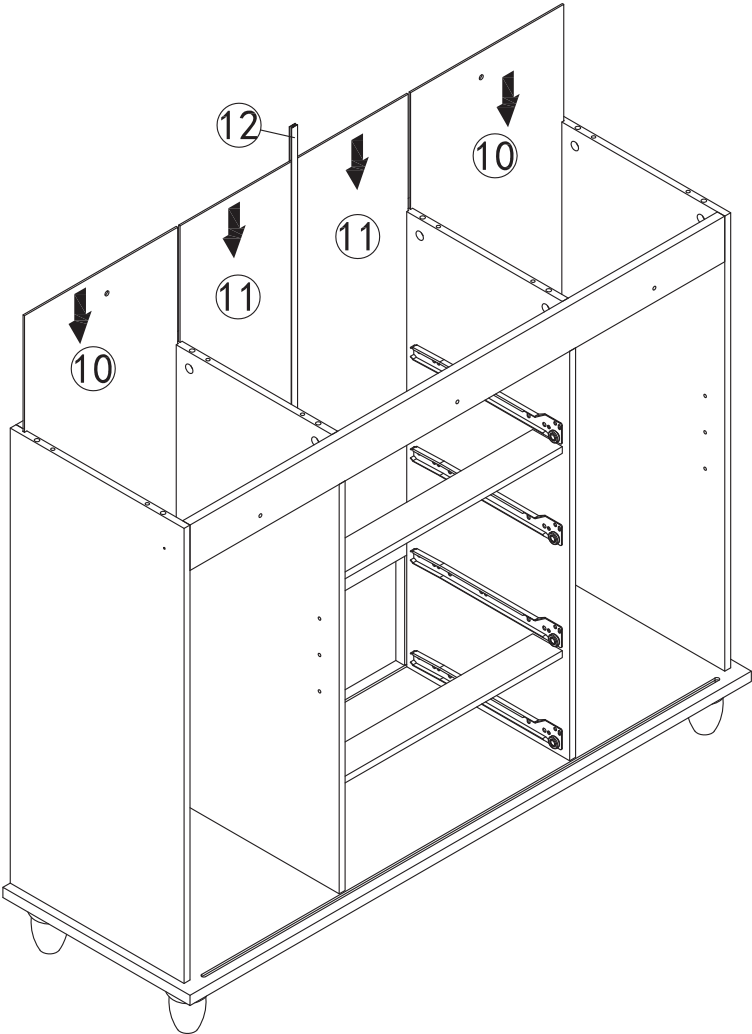
M4x35mm



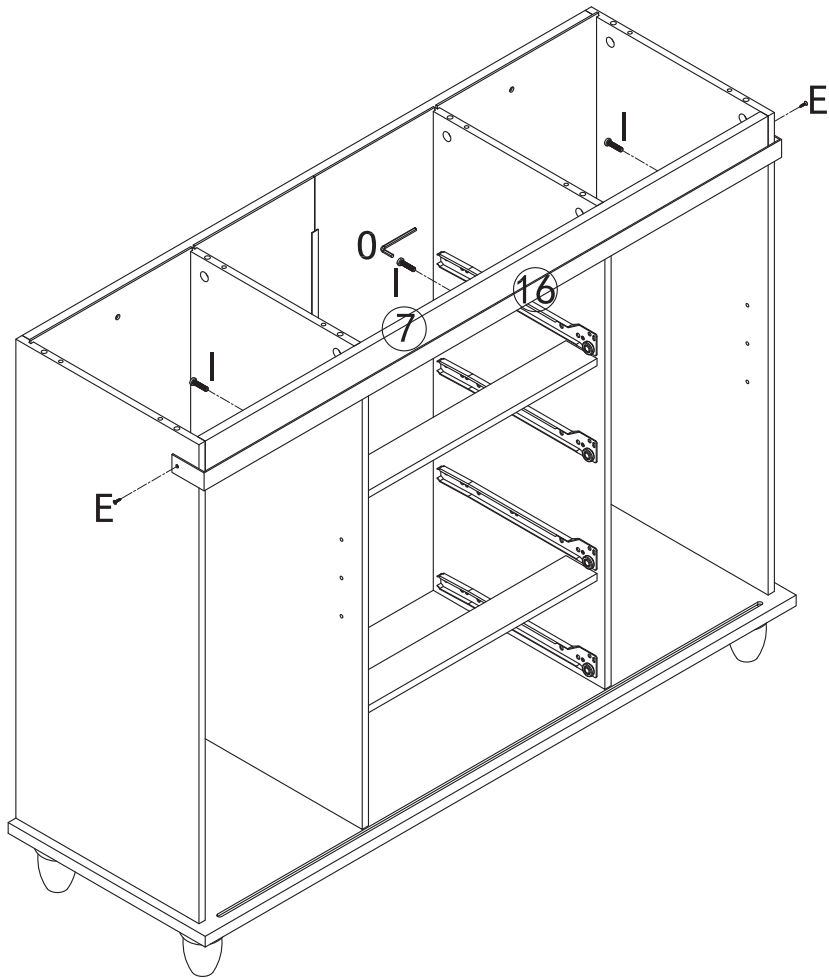
Step 9


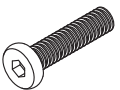
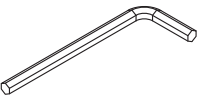


Step 10

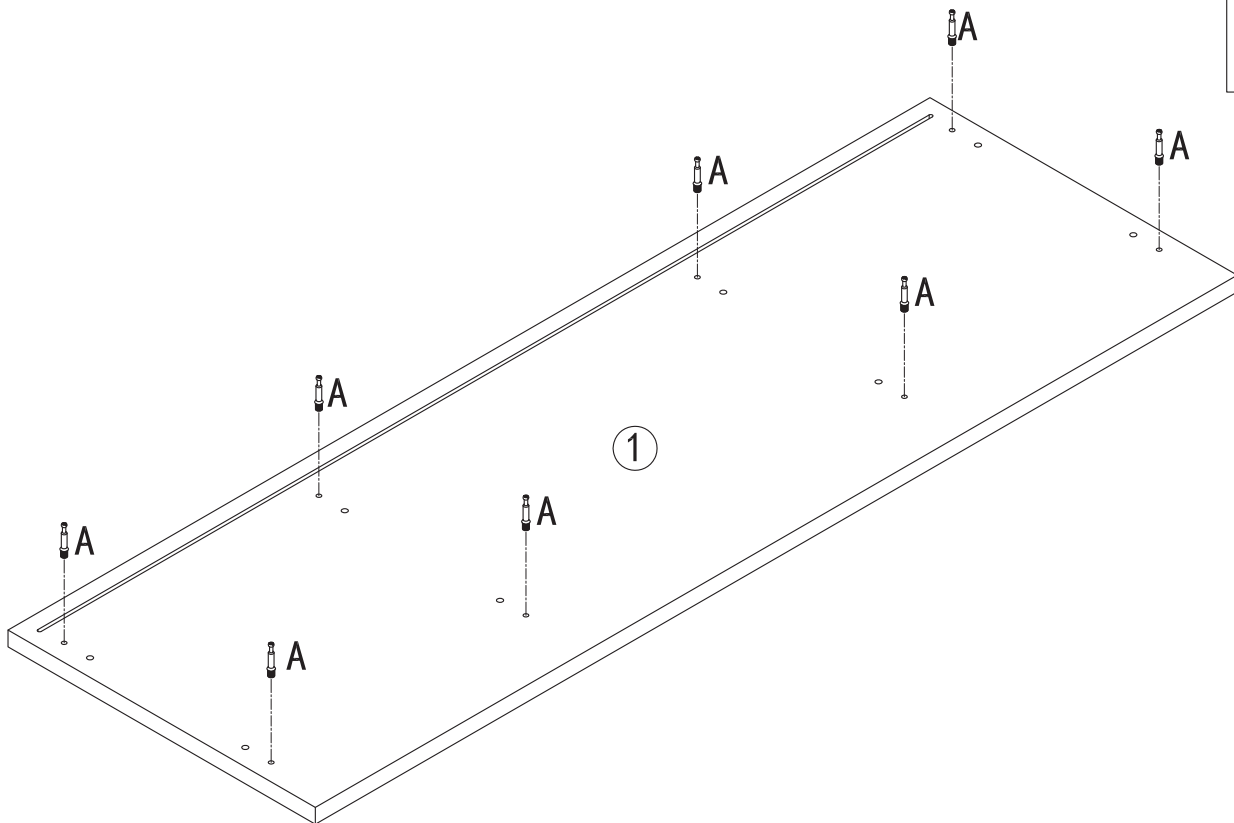


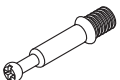
Step 11



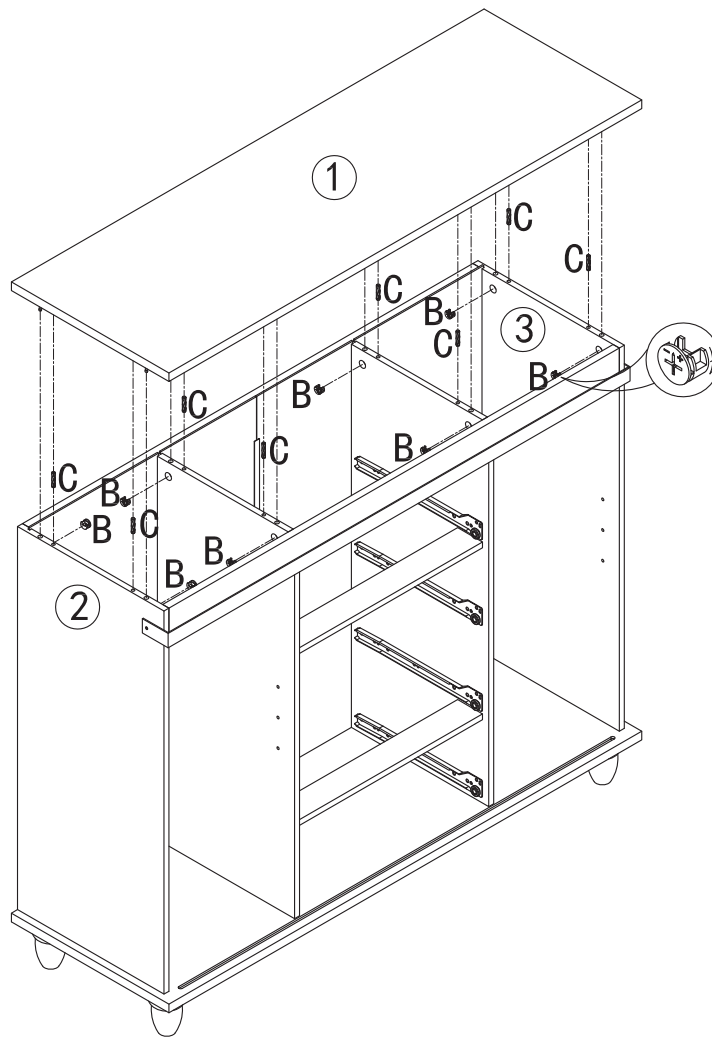
E	2pcs
	
	M4x10mm
I	3pcs
	
	M6x25mm
O	1pc
	

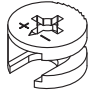
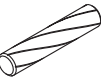
Step 12



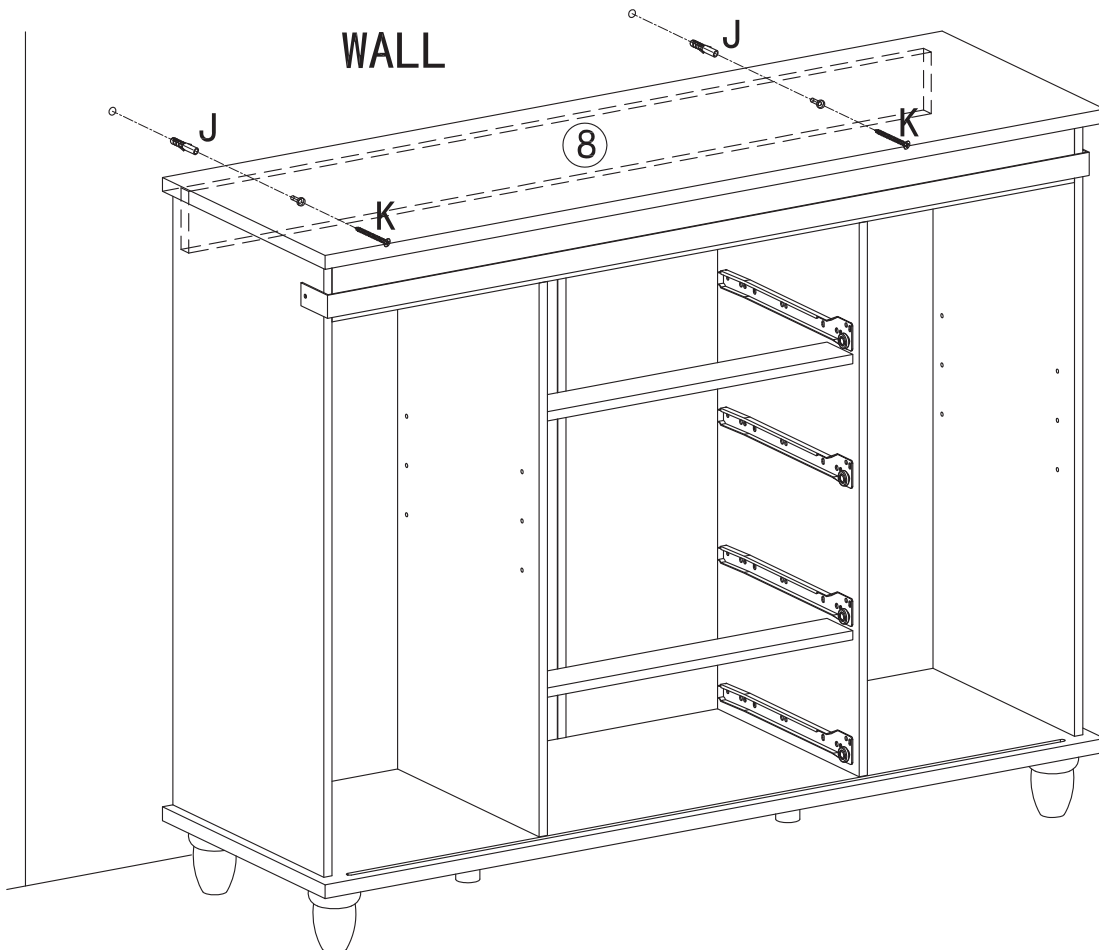
A	8pcs
	

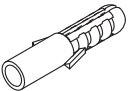
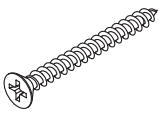
Step 13



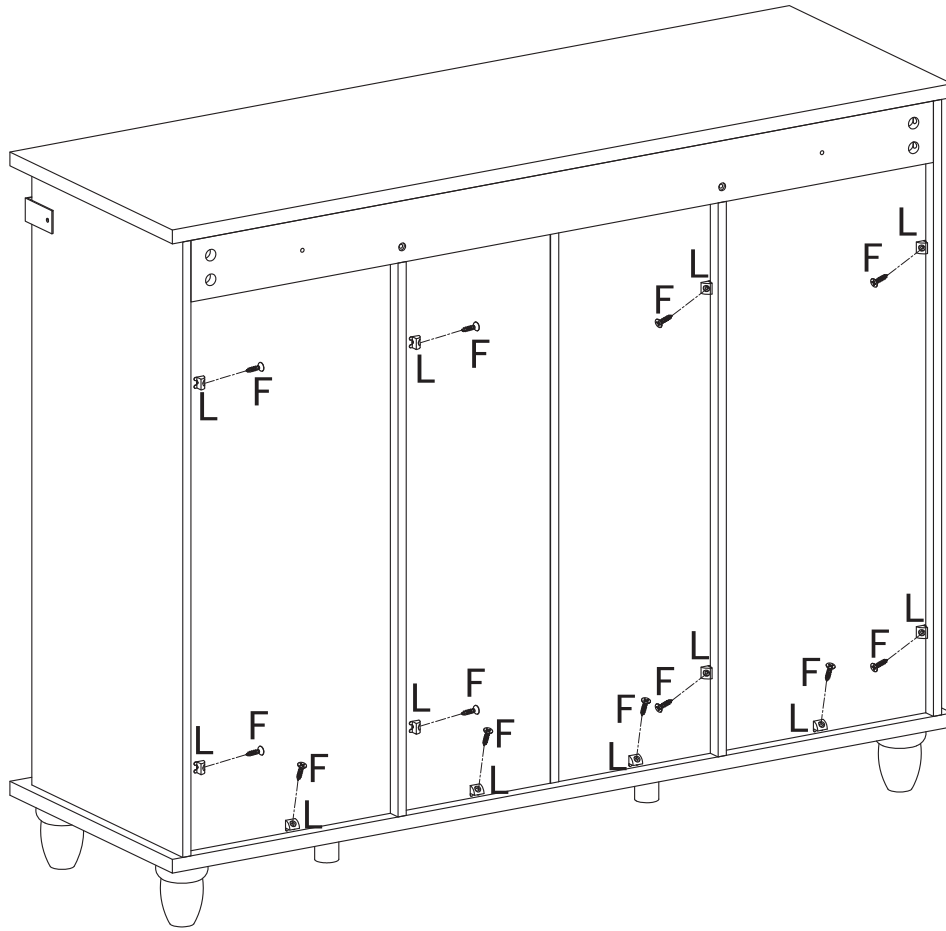
B	8pcs
	
C	8pcs
	
Ø 6x30mm	

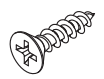
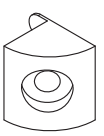
Step 14



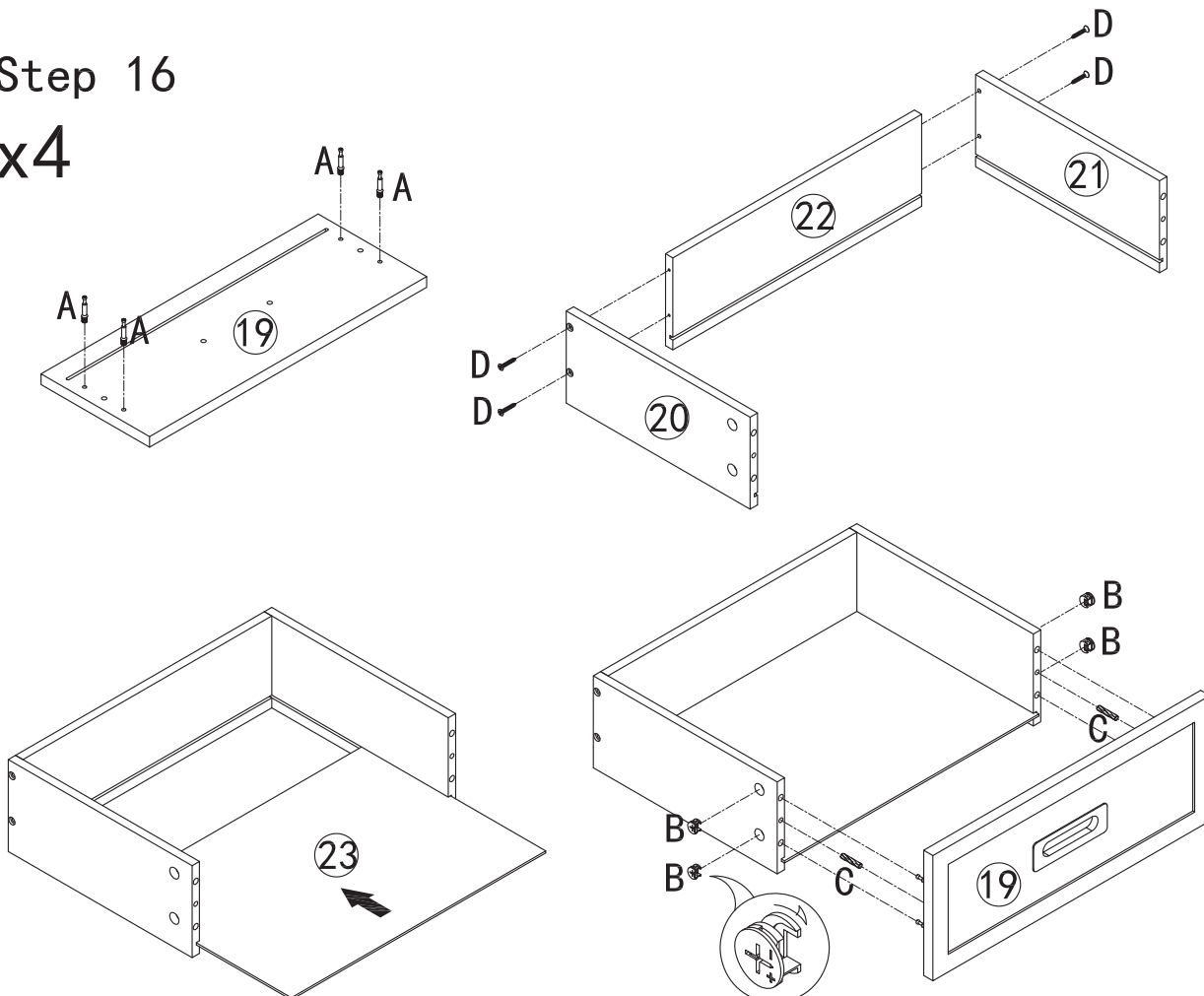
J	2pcs
	
K	2pcs
	
M4x50mm	

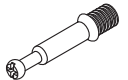
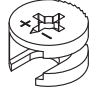
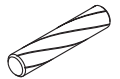
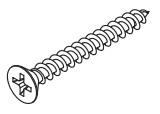
Step 15



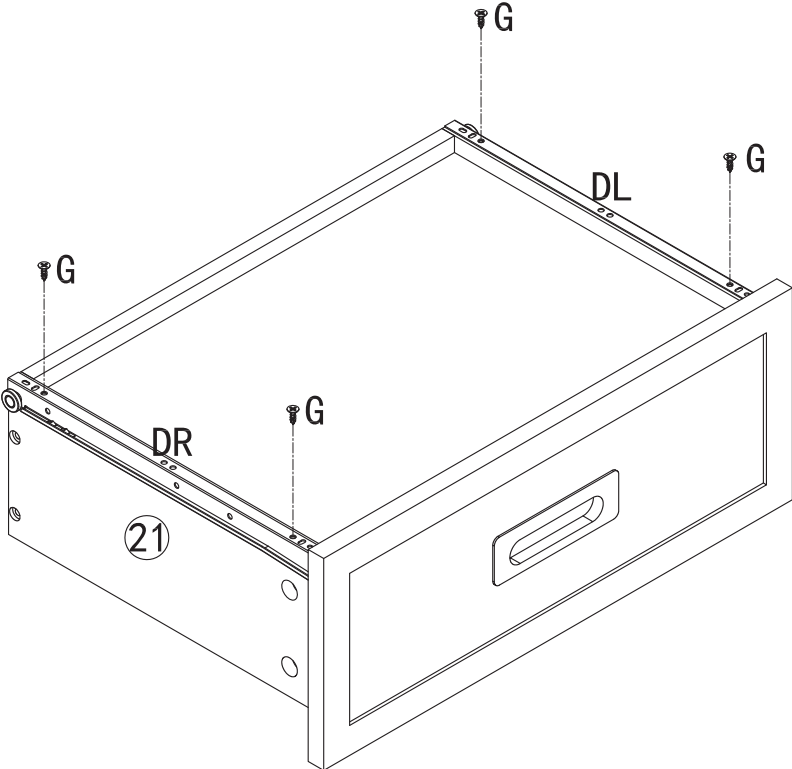
F	12pcs
	
M3x14mm	
L	12pcs
	

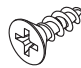
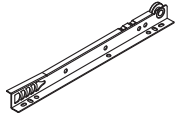
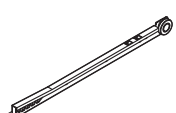
Step 16 x4



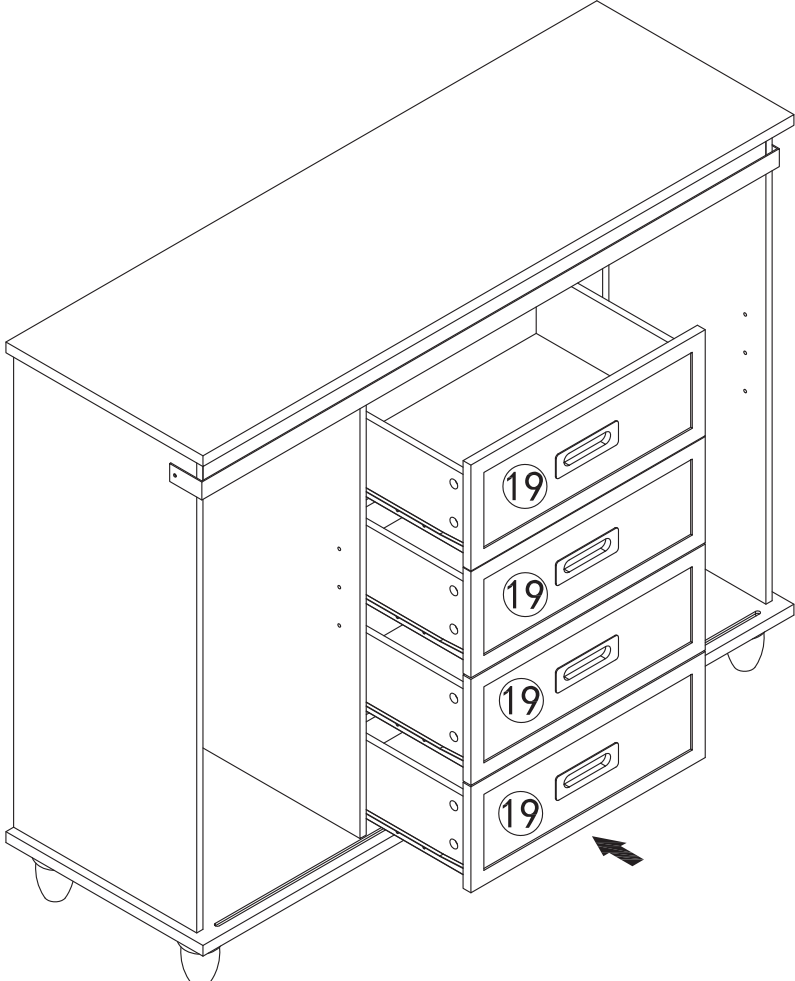
A	16pcs
	
B	16pcs
	
C	8pcs
	
$\varnothing 6 \times 30 \text{mm}$	
D	16pcs
	
M4x35mm	

Step 17 x4

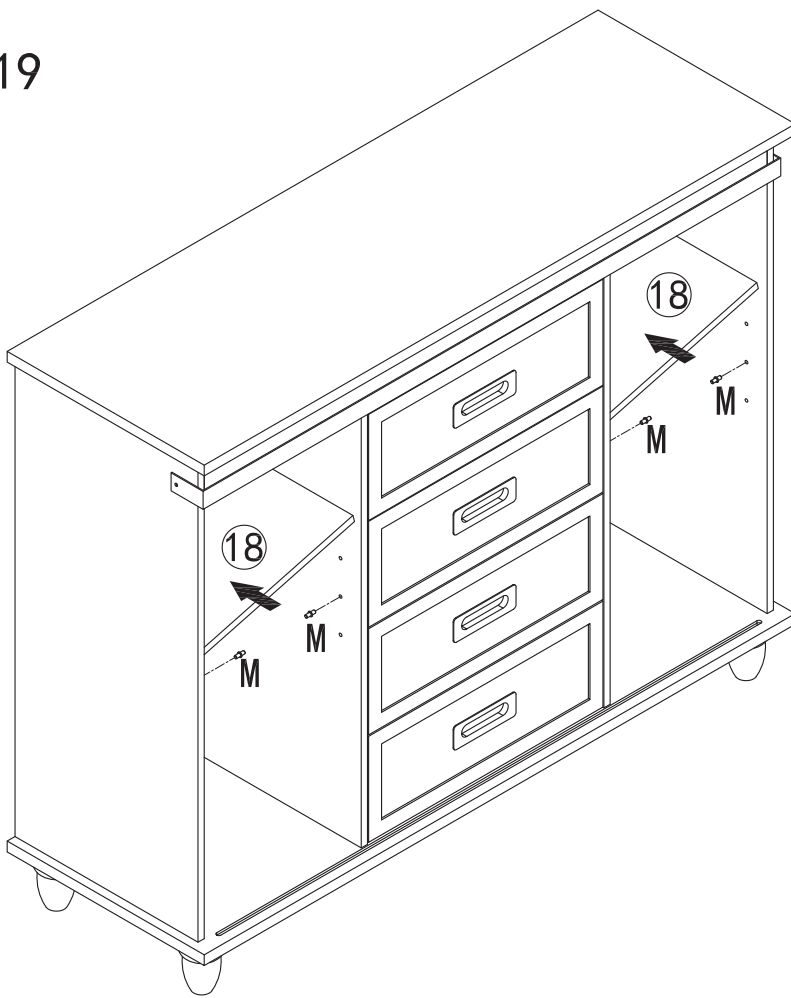


G	16pcs
	
M3x12mm	
DL	4pcs
	
DR	4pcs
	

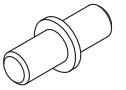
Step 18



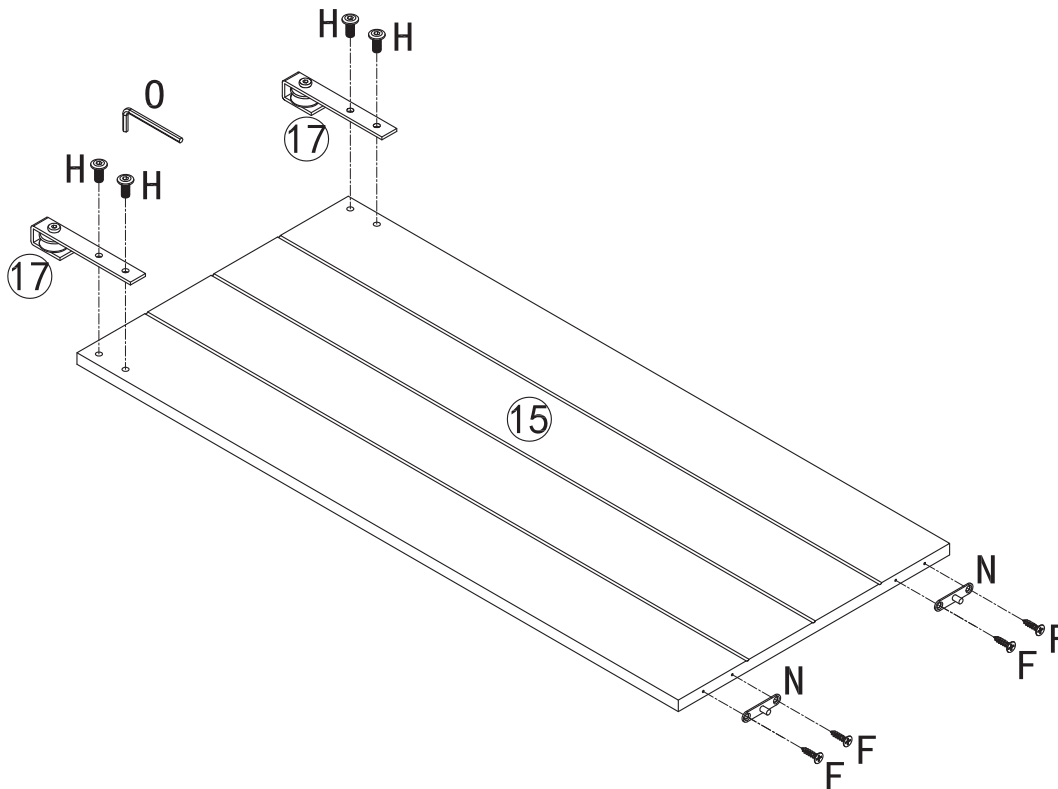
Step 19



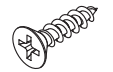
M 8pcs



Step 20 x2



F 8pcs



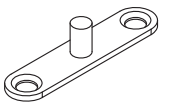
M3x14mm

H 8pcs

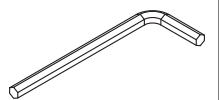


M6x10mm

N 4pcs



0 1pc



Step 21



FOR ANY FURTHER CONCERNS, FEEL FREE TO EMAIL US AT DOWLVN-SERVICE@OUTLOOK.COM