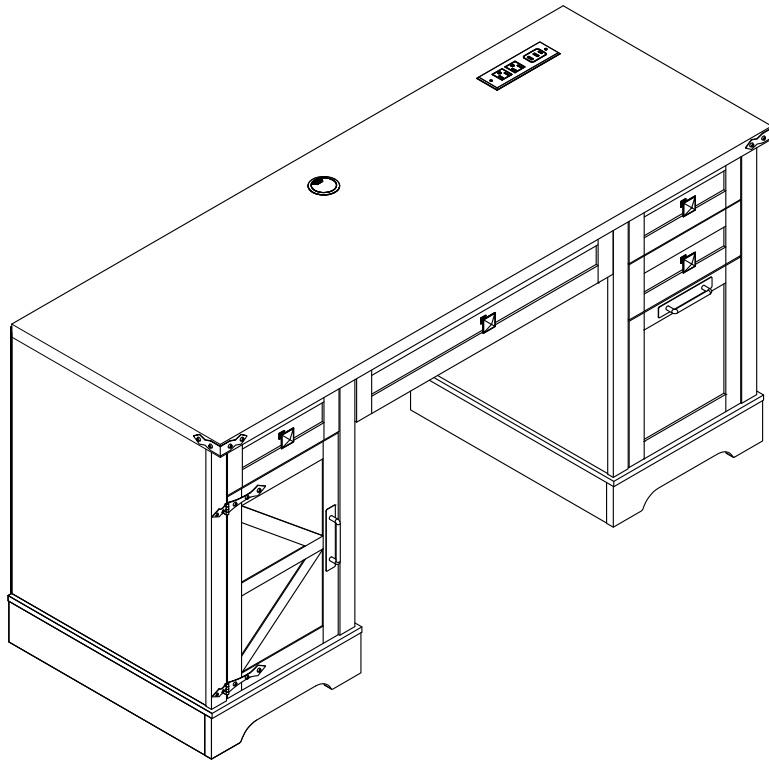


# ASSEMBLY INSTRUCTIONS



## SAFETY TIPS:

Static charge may cause dust on foam – clean with a dry or damp cloth.

Small foam strands may be present – handle gently and dispose of properly.

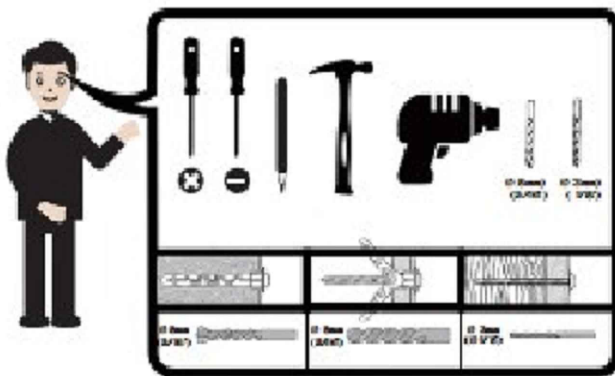
Do not burn or incinerate. Check local recycling guidelines.

\_V01

If you encounter any problems during installation, Please contact our customer service.

Important reminder:

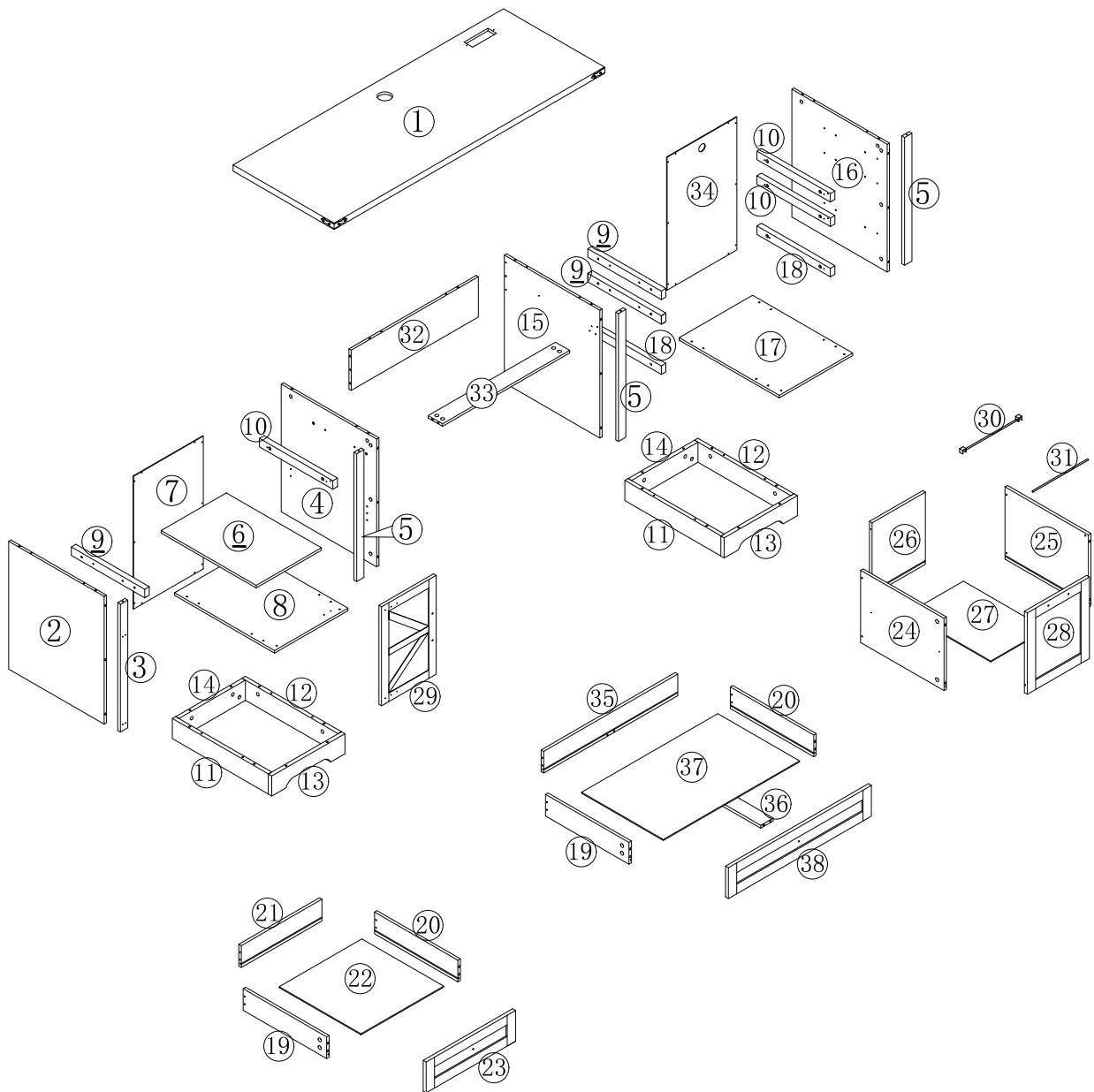
- △ Please sort and check all accessories before assembly.
  - △ Please place the product on empty cardboard box or carpet to avoid scratches on it,
  - △ Please use proper tools for assembly. Using an electric screwdriver can accelerate the assembly speed, but please do not overtighten the screws.
  - △ Please follow the assembly steps and do not skip any of them.
  - △ If possible, please find a partner to help you with assembly, which can accelerate assembly.
  - △ Keep all small parts of this product away from children. They may cause serious injury.
  - △ We hope you can retighten the screws 2 weeks after assembly, and check the tightening procedure of the screws every 3 months.
- If you meet any difficulty, our friendly customer team are always ready to help you.



**Warning:**Overturning the product can cause serious crushing injuries. We have a wall connection device attached, please use it to hold the furniture following assembly instructions. Do not change the structure of this product in way. Our products have been tested and meet any all sales specific security measures. We won't be responsible for any modifications, which may cause significant security risks.

If you encounter any problems during installation, Please contact our customer service.

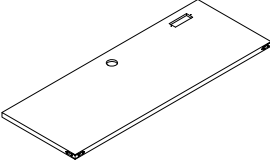
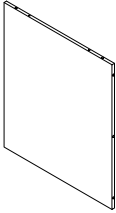

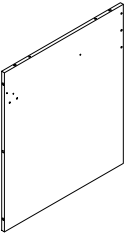

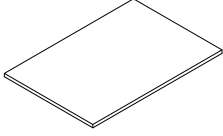
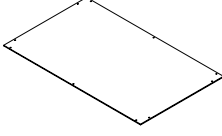
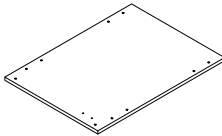
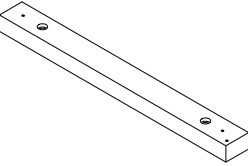
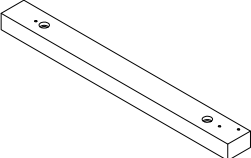
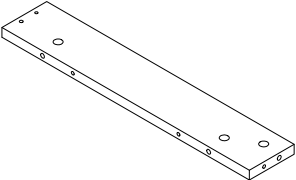
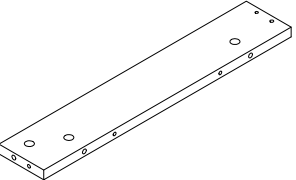
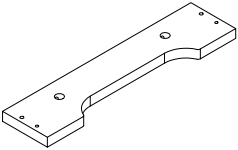
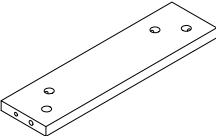
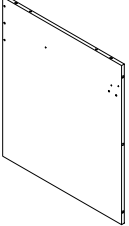
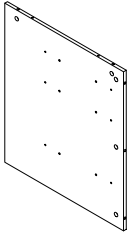
# Explosion Diagram



X3

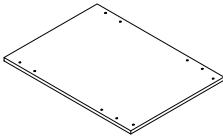
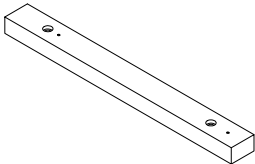
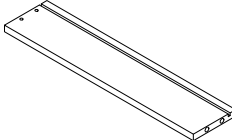
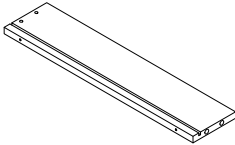
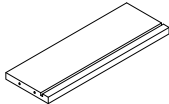
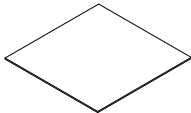
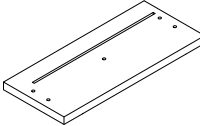
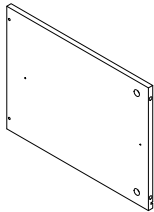
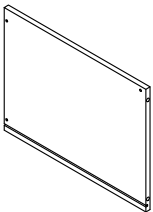
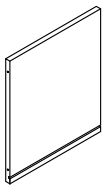
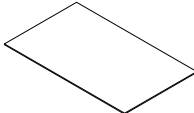
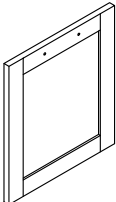
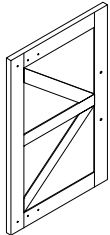
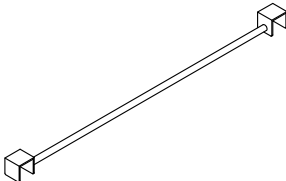
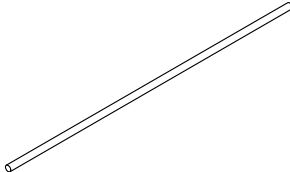
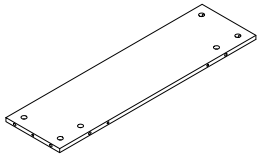
If you encounter any problems during installation, Please contact our customer service.

# Parts and Operation Elements

			
① 1Pc	② 1Pc	③ 1Pc	④ 1Pc
			
⑤ 3Pcs	⑥ 1Pc	⑦ 1Pc	⑧ 1Pc
			
⑨ 3Pcs	⑩ 3Pcs	⑪ 2Pcs	⑫ 2Pcs
			
⑬ 2Pcs	⑭ 2Pcs	⑮ 1Pc	⑯ 1Pc

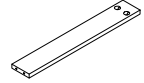
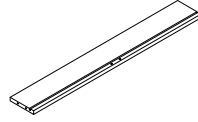
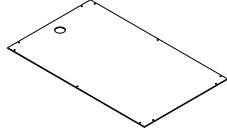
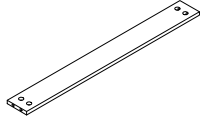
If you encounter any problems during installation, Please contact our customer service.

# Parts and Operation Elements

			
⑰ 1Pc	⑱ 2Pcs	⑲ 4Pcs	⑳ 4Pcs
			
㉑ 3Pcs	㉒ 3Pcs	㉓ 3Pcs	㉔ 1Pc
			
㉕ 1Pc	㉖ 1Pc	㉗ 1Pc	㉘ 1Pc
			
㉙ 1Pc	㉚ 1Pc	㉛ 1Pc	㉜ 1Pc

If you encounter any problems during installation, Please contact our customer service.

# Parts and Operation Elements



③③

1Pc

③④

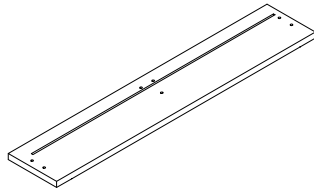
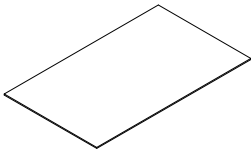
1Pc

③⑤

1Pc

③⑥

1Pc



③⑦

1Pc

③⑧

1Pc

If you encounter any problems during installation, Please contact our customer service.

# HardWare

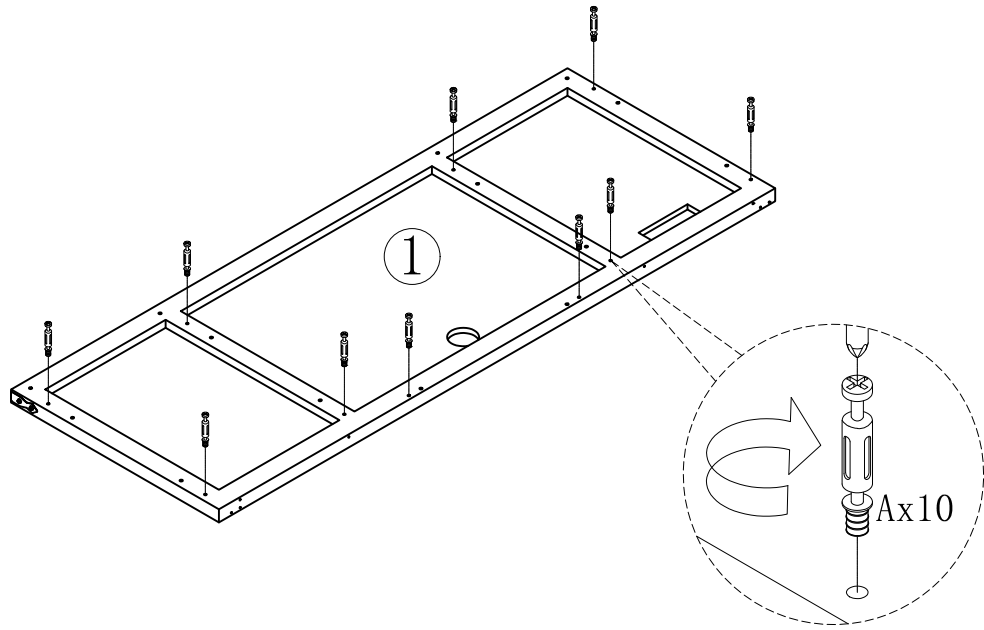
<b>HardWare</b>				
 Dowel (ø6*30)	 Cam Lock (ø15*9.5)	 Screw (M5*38)	 Dowel (ø6*30)	 Screw (M3.5*12)
A   76PCS +2PCS	B   76PCS +2PCS	C   30PCS +2PCS	D   62PCS +2PCS	E   52PCS +2PCS
 Screw (M3*14)	 (G2) (G1)	 Screw (M3.5*12)	 Screw M4*20	 J1 J2
F   2PCS +1PC	G   1PC	H   20PCS +2PCS	I   4PCS +1PC	J   2PCS
	 Screw (M4*13)		 Screw (M3.5*12) Black	 ø60
K   4PCS	L   4PCS +1PC	M   2PCS	N   10PCS +2PCS	O   1PC
	 ø5*17		 (S2) 16" (S1)	 Screw M6*27
P   1PC	Q   4PCS +2PCS	R   76PCS +2PCS	S   2PCS	T   16PCS +2PCS
U   2PCS				
CR  X4 L=16"	DR  X4 L=16"			
CL  X4 L=16"	DL  X4 L=16"			
⚠ Tips: The number after "+" represents the spare hardware.				
 +2 SPARE BAG Please put the hardware of +2 in this self sealing bag				

If you encounter any problems during installation, Please contact our customer service.

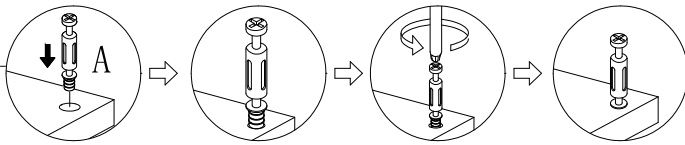
1



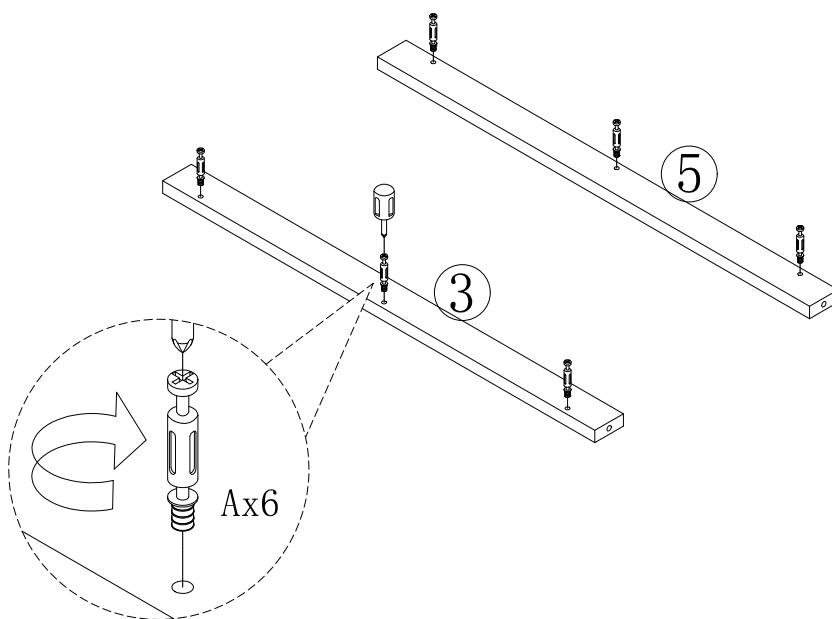
Ax10



2



Ax6

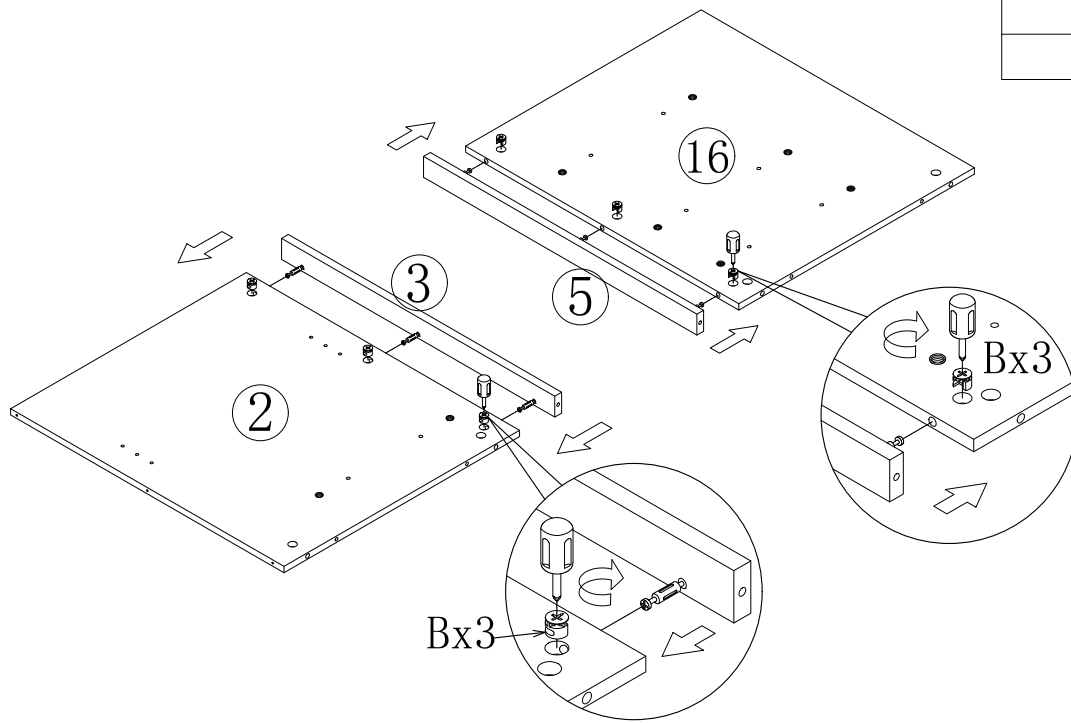


If you encounter any problems during installation, Please contact our customer service.

# 3

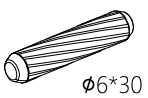
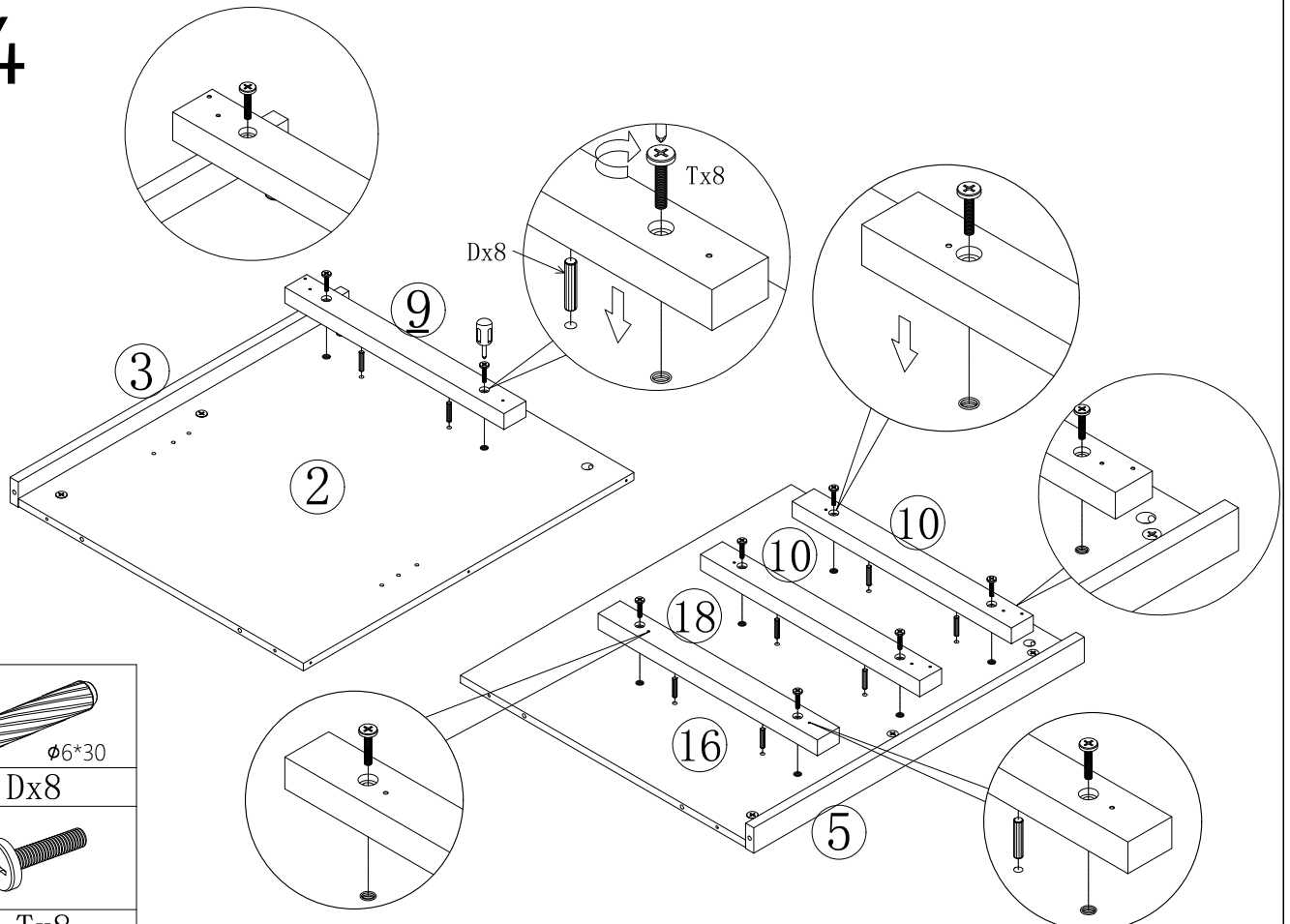


Bx6

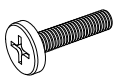


② ①⑥ Holes are on the front, assembled with ② and ③, assembled with ⑤ and ①⑥

# 4



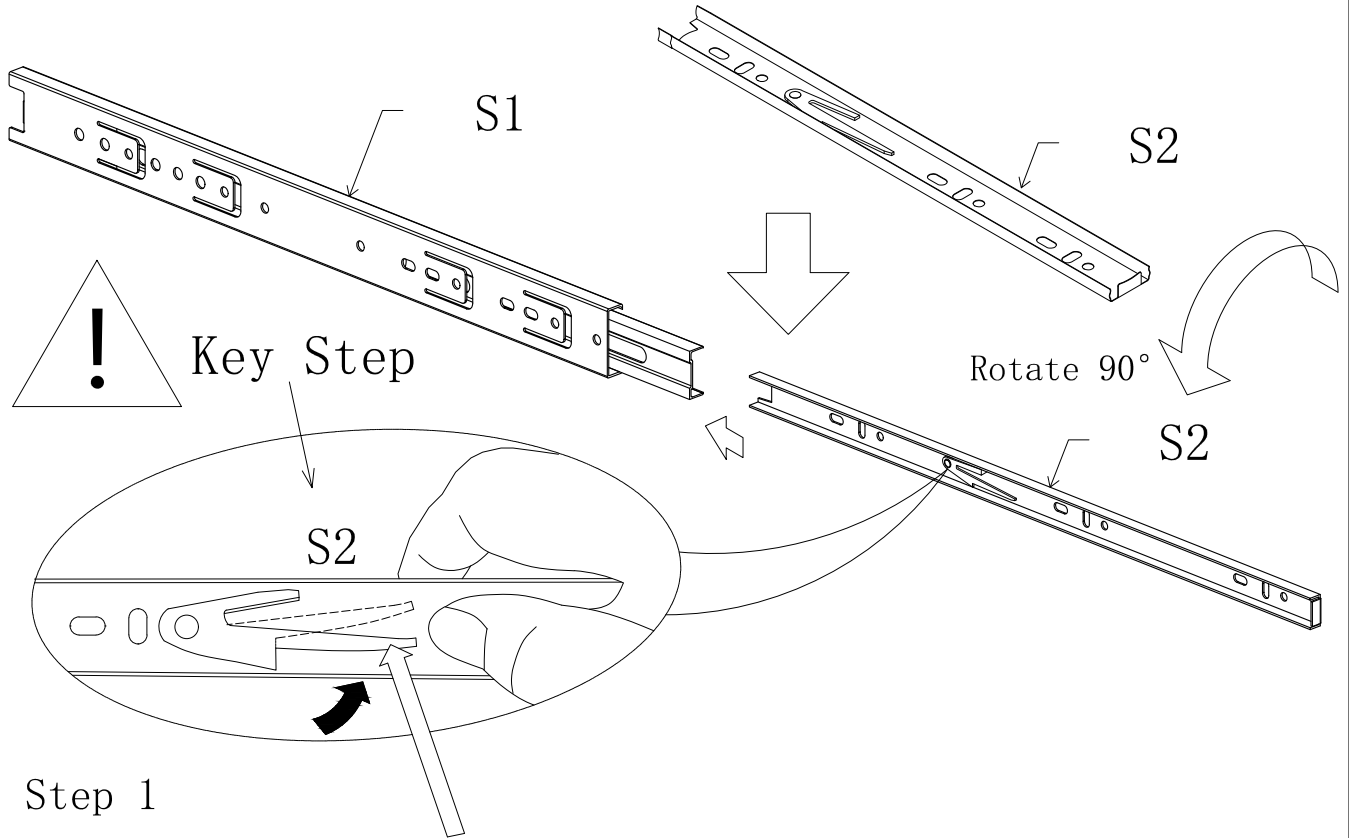
Dx8



Tx8

If you encounter any problems during installation, Please contact our customer service.

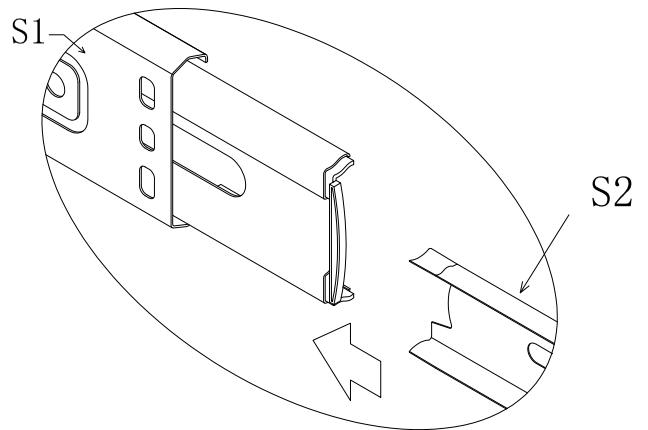
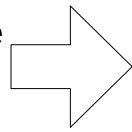
# Glide rail installation



Gently move this plastic piece upwards with your fingers

## Step 2

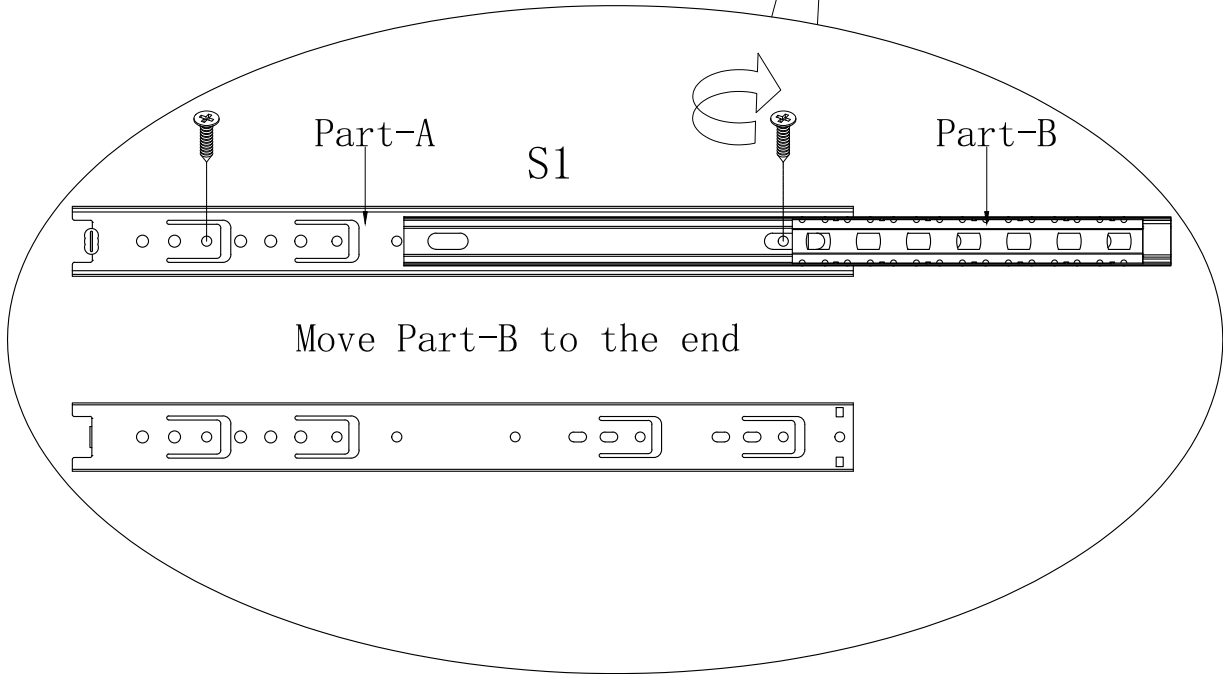
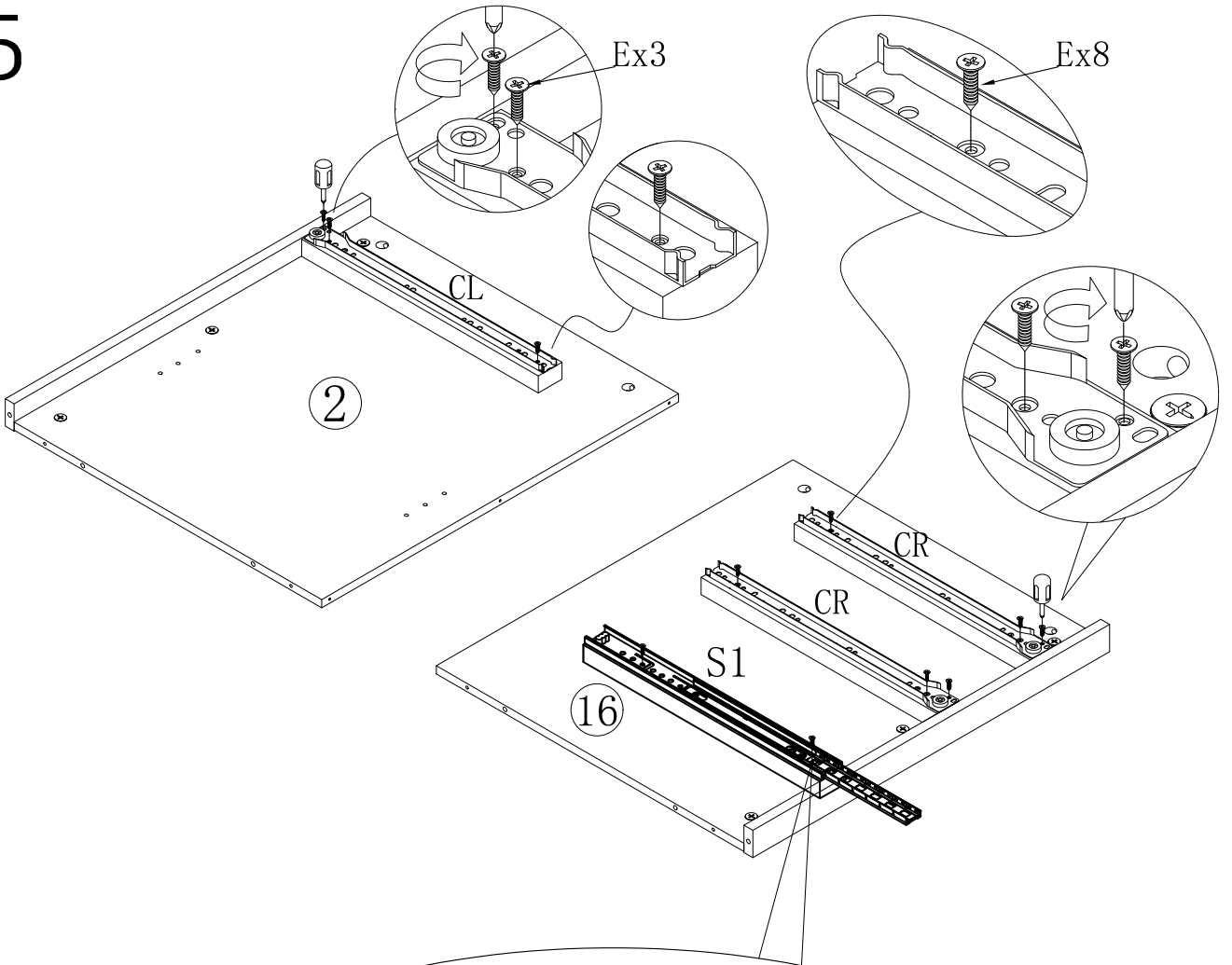
Then insert it in the direction of the component (S1)


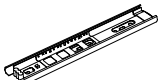
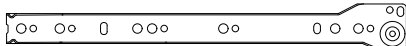



## Remark

If you want to remove the guide rail follow the same method as step 1

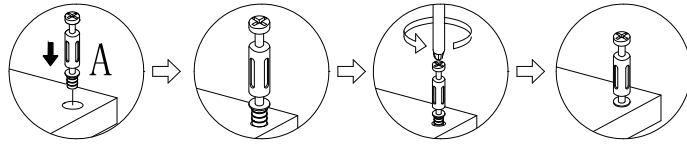
# 5



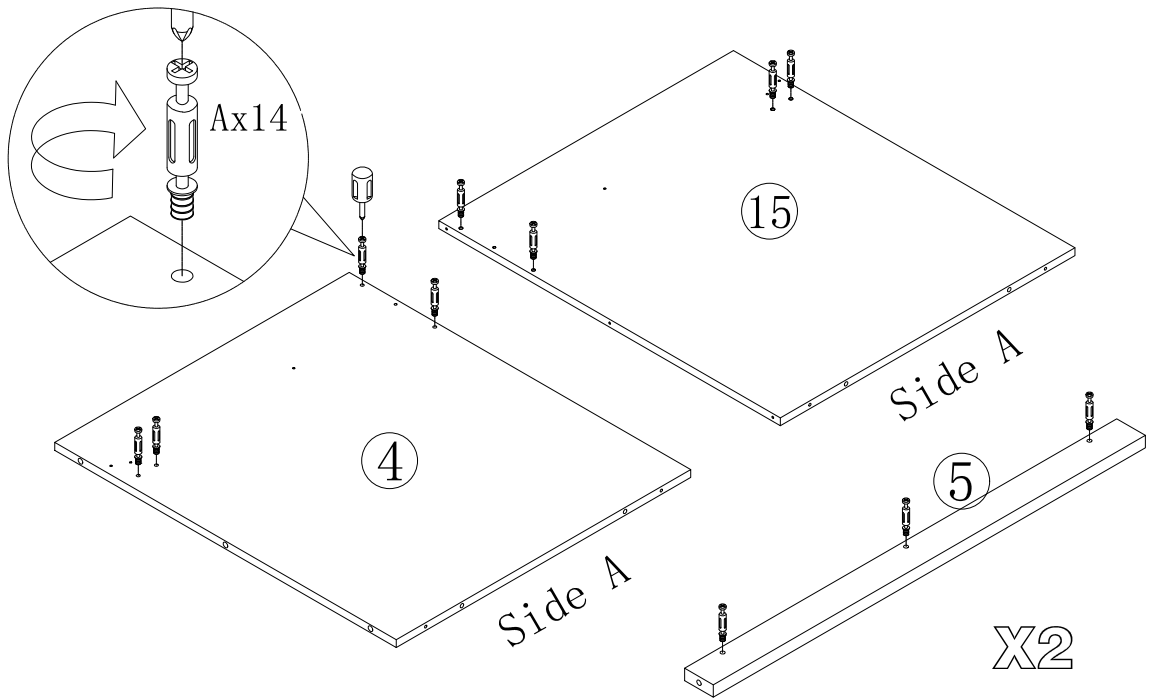
		CR  X2
Ex11	S1x1	CL  X1

If you encounter any problems during installation, Please contact our customer service.

# 6

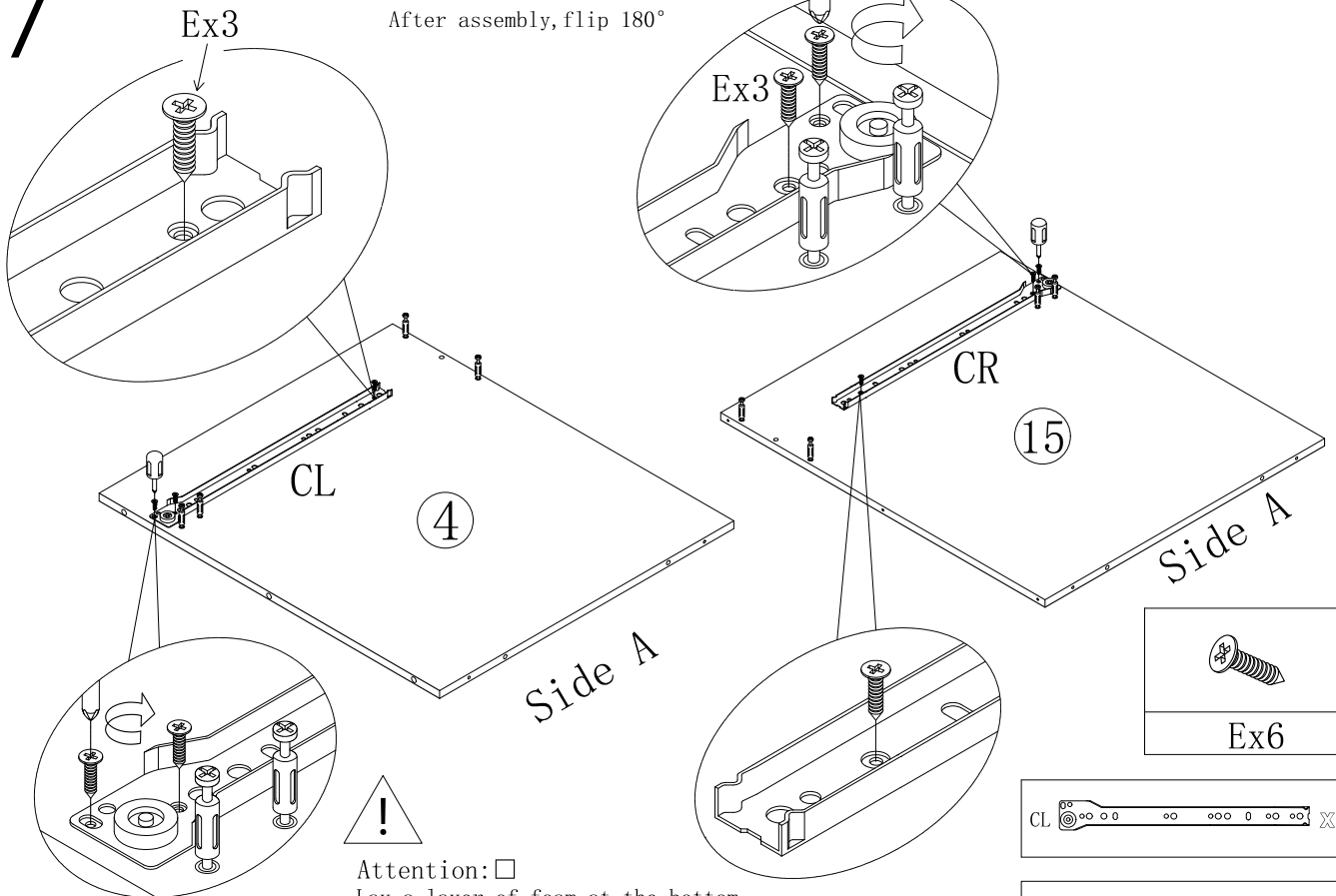


Ax14



# 7

After assembly, flip 180°



Ex3

CL X1

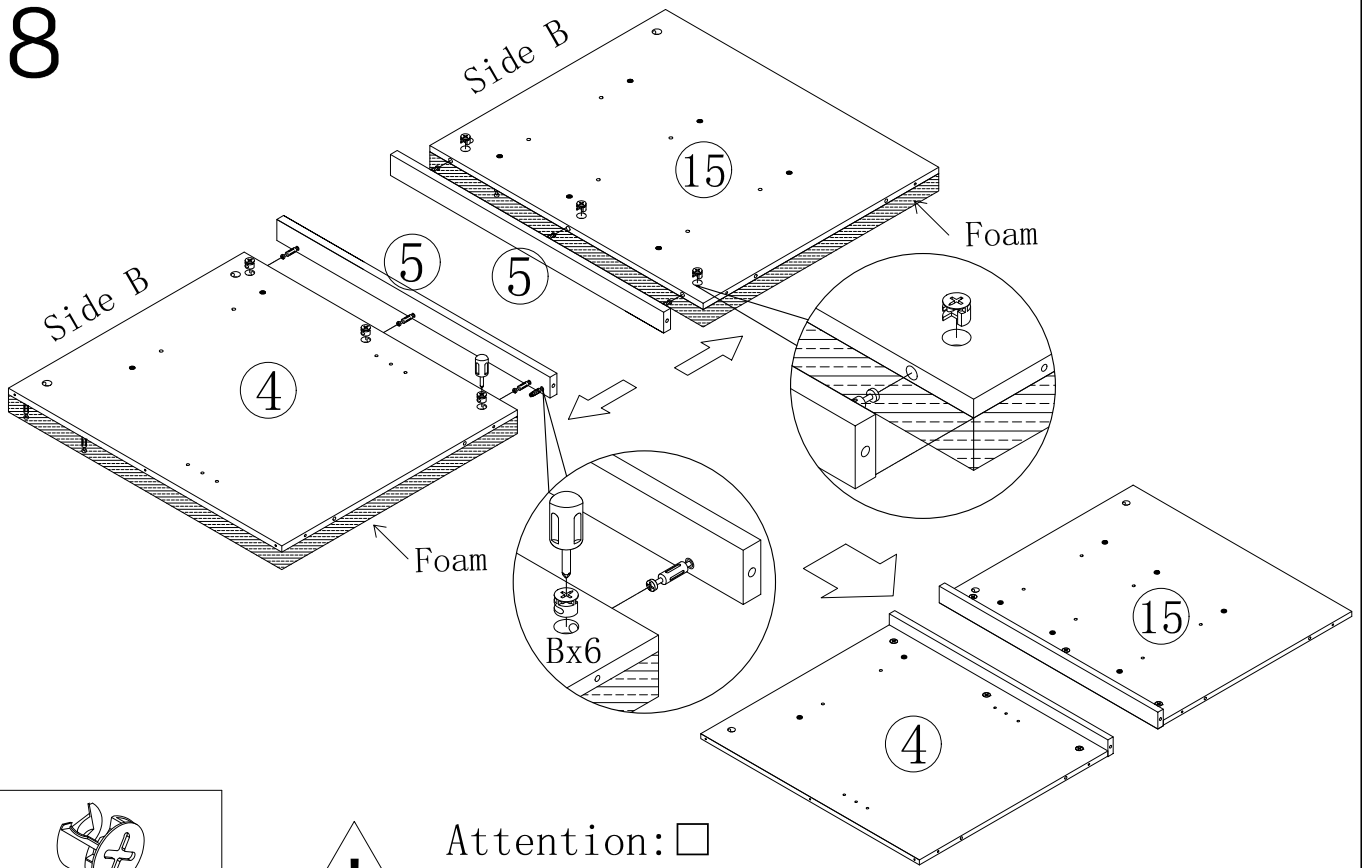
CR X1

Attention: □

Lay a layer of foam at the bottom  
to keep the panels in the same plane

If you encounter any problems during installation, Please contact our customer service.

# 8

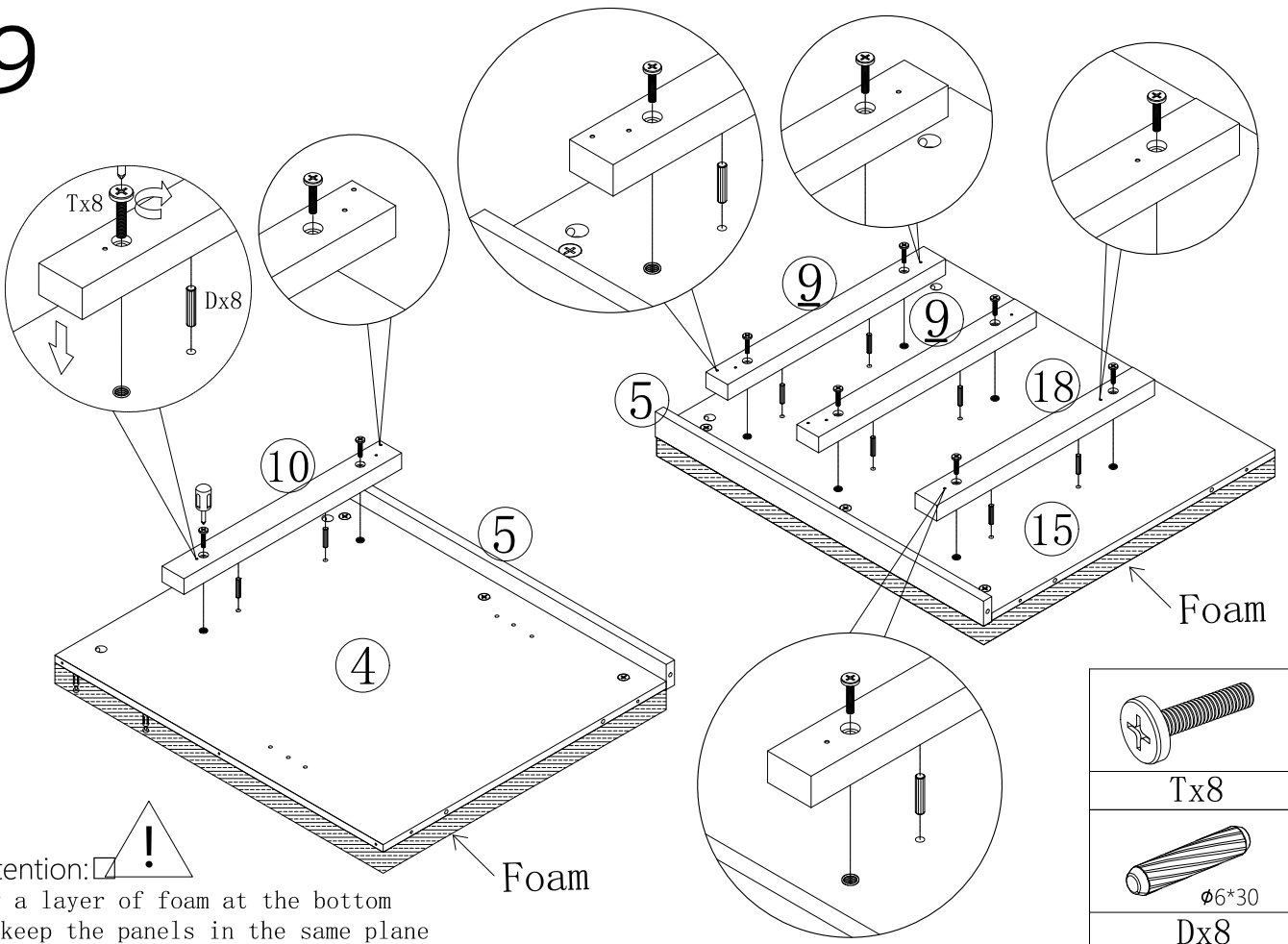


Ø15\*9.5  
Bx6

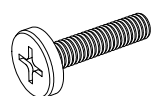


Attention: □  
Lay a layer of foam at the bottom  
to keep the panels in the same plane

# 9



Attention: □  
Lay a layer of foam at the bottom  
to keep the panels in the same plane



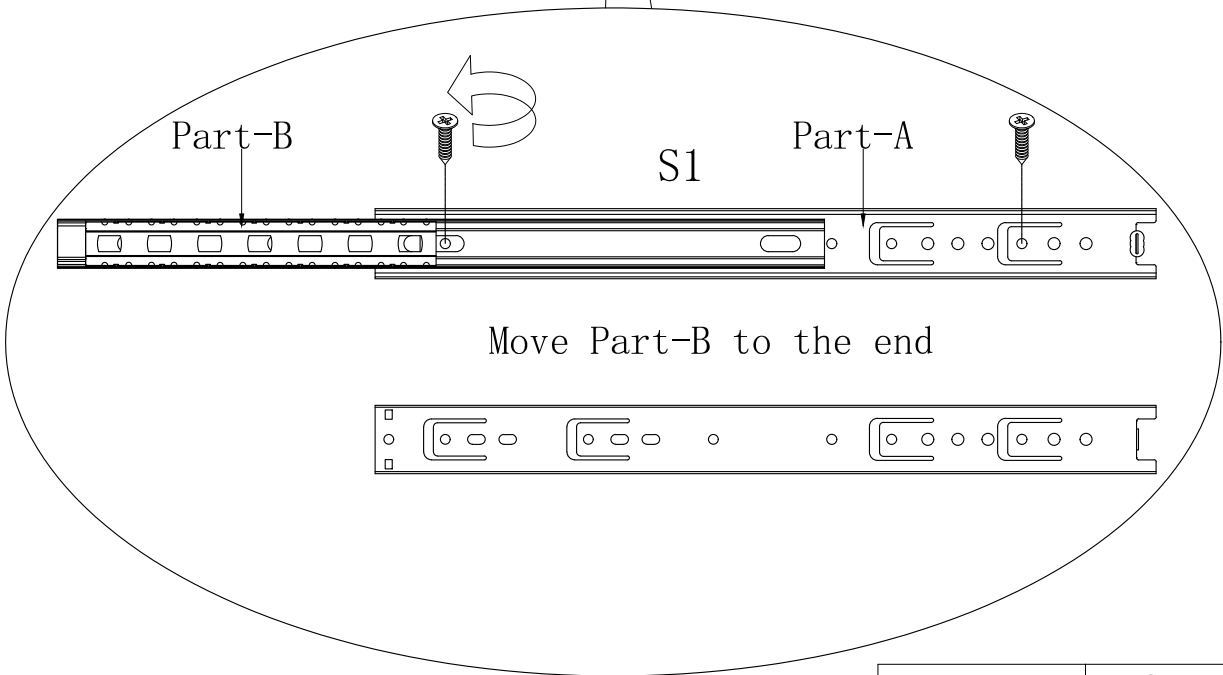
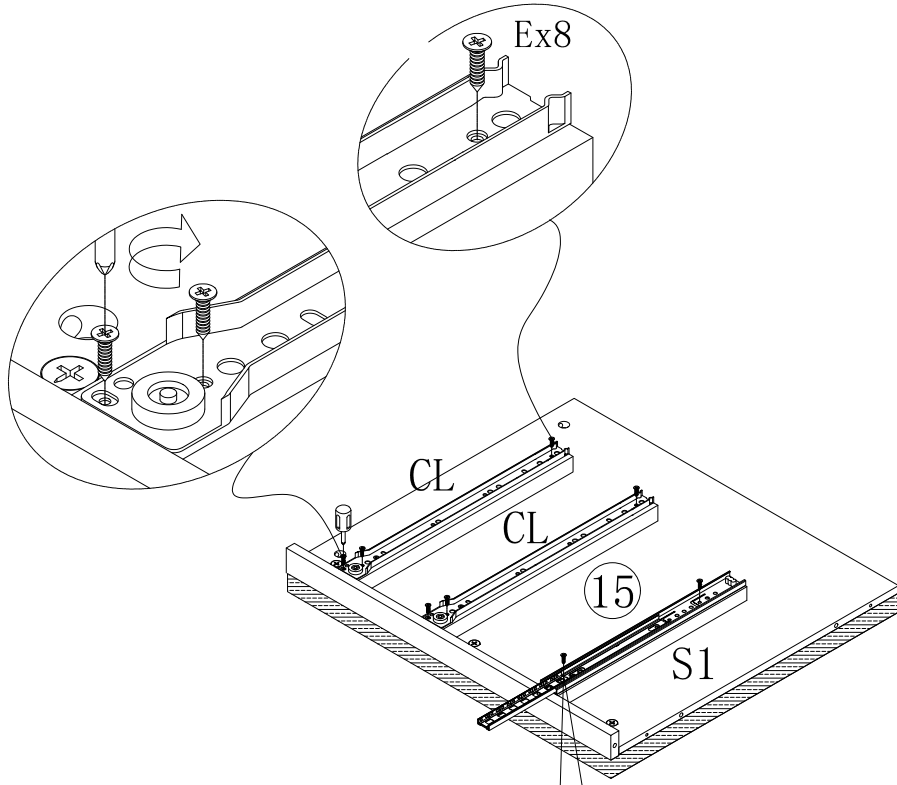
Tx8

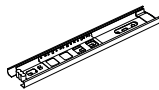
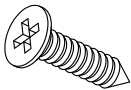


Ø6\*30  
Dx8

If you encounter any problems during installation, Please contact our customer service.

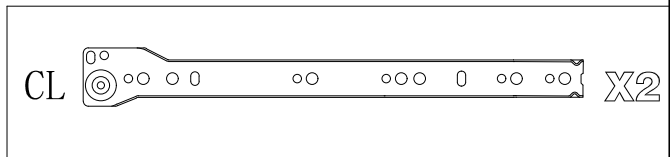
# 10



	
S1x1	Ex8




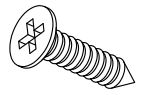
Attention: Lay a layer of foam at the bottom to keep the panels in the same plane



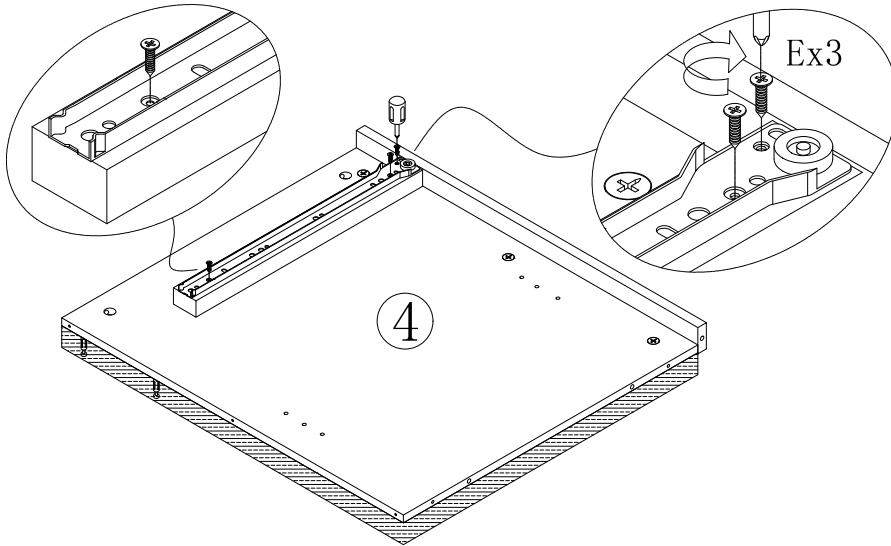
If you encounter any problems during installation, Please contact our customer service.

# 11

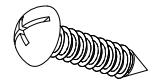
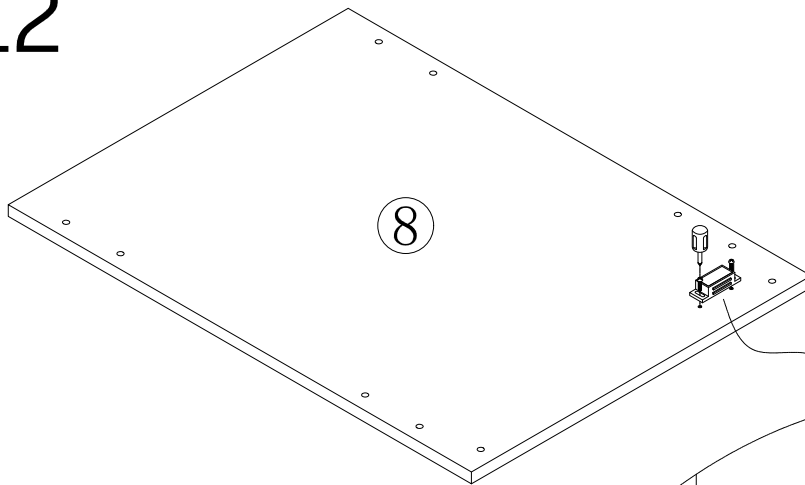
CR  X1



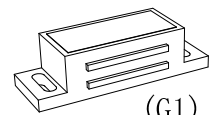
Ex3



# 12

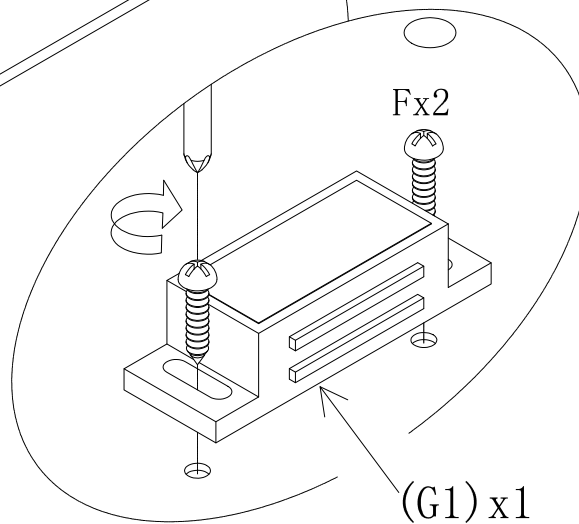


Fx2



(G1)

Gx1

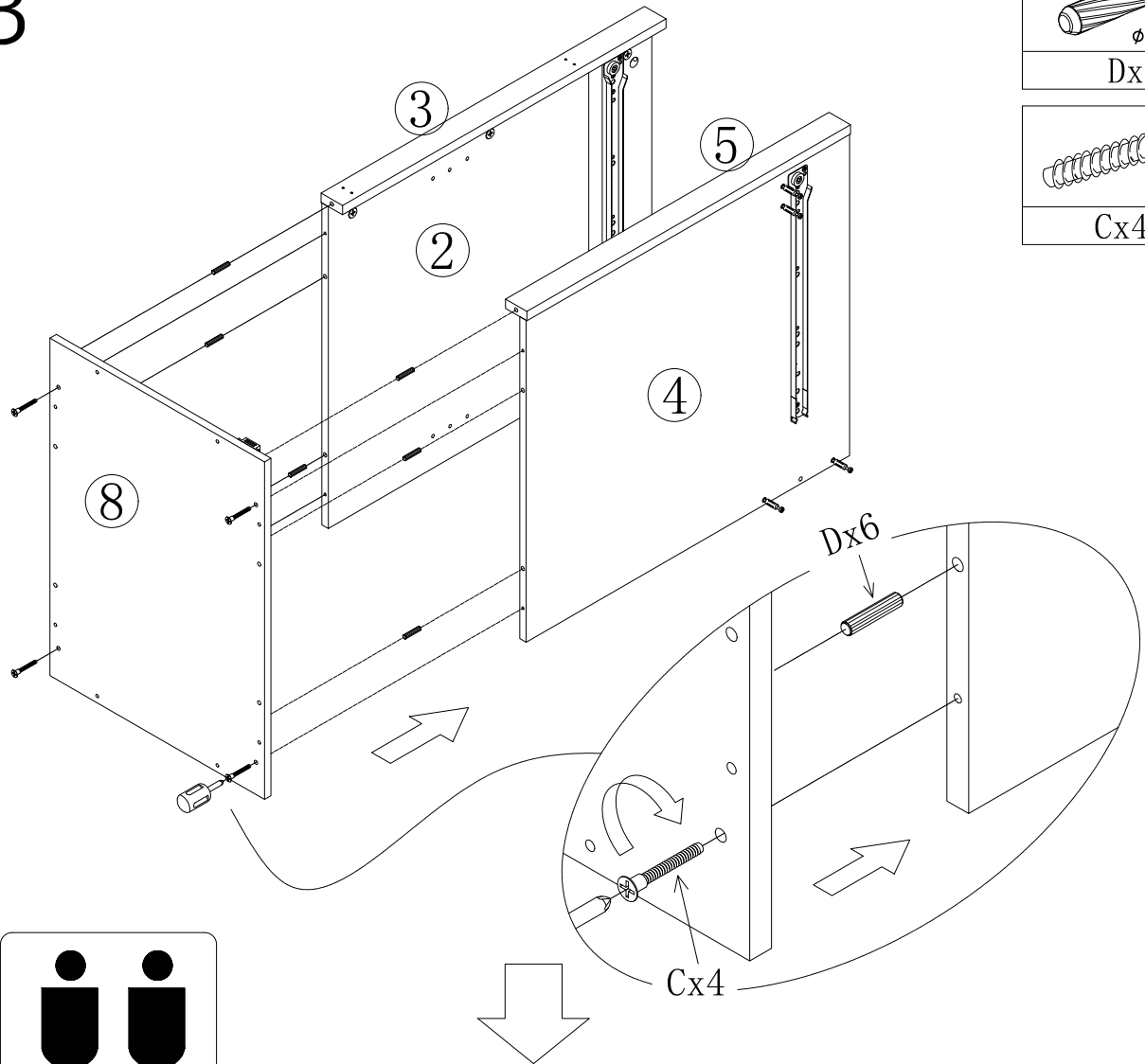


Fx2

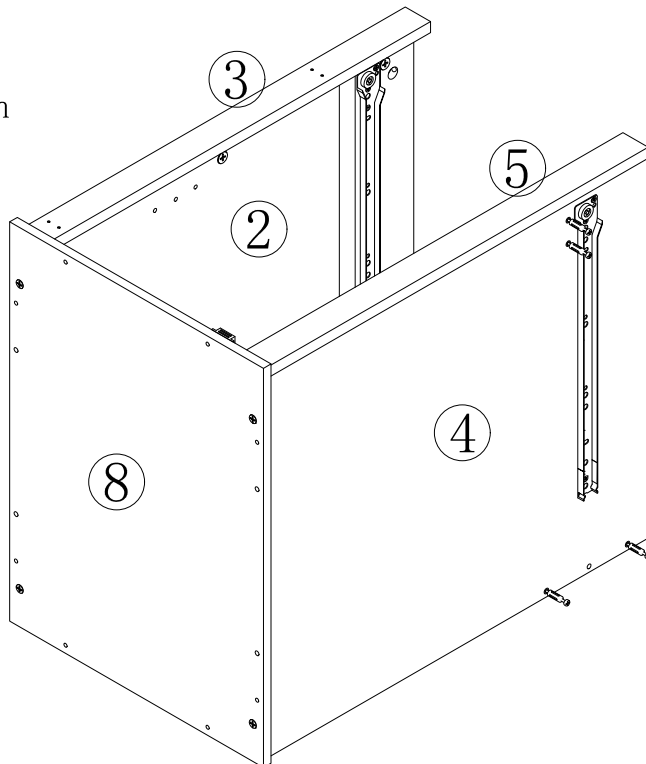
(G1) x1

If you encounter any problems during installation, Please contact our customer service.

# 13

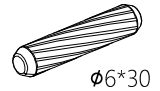


Double installation

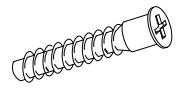


If you encounter any problems during installation, Please contact our customer service.

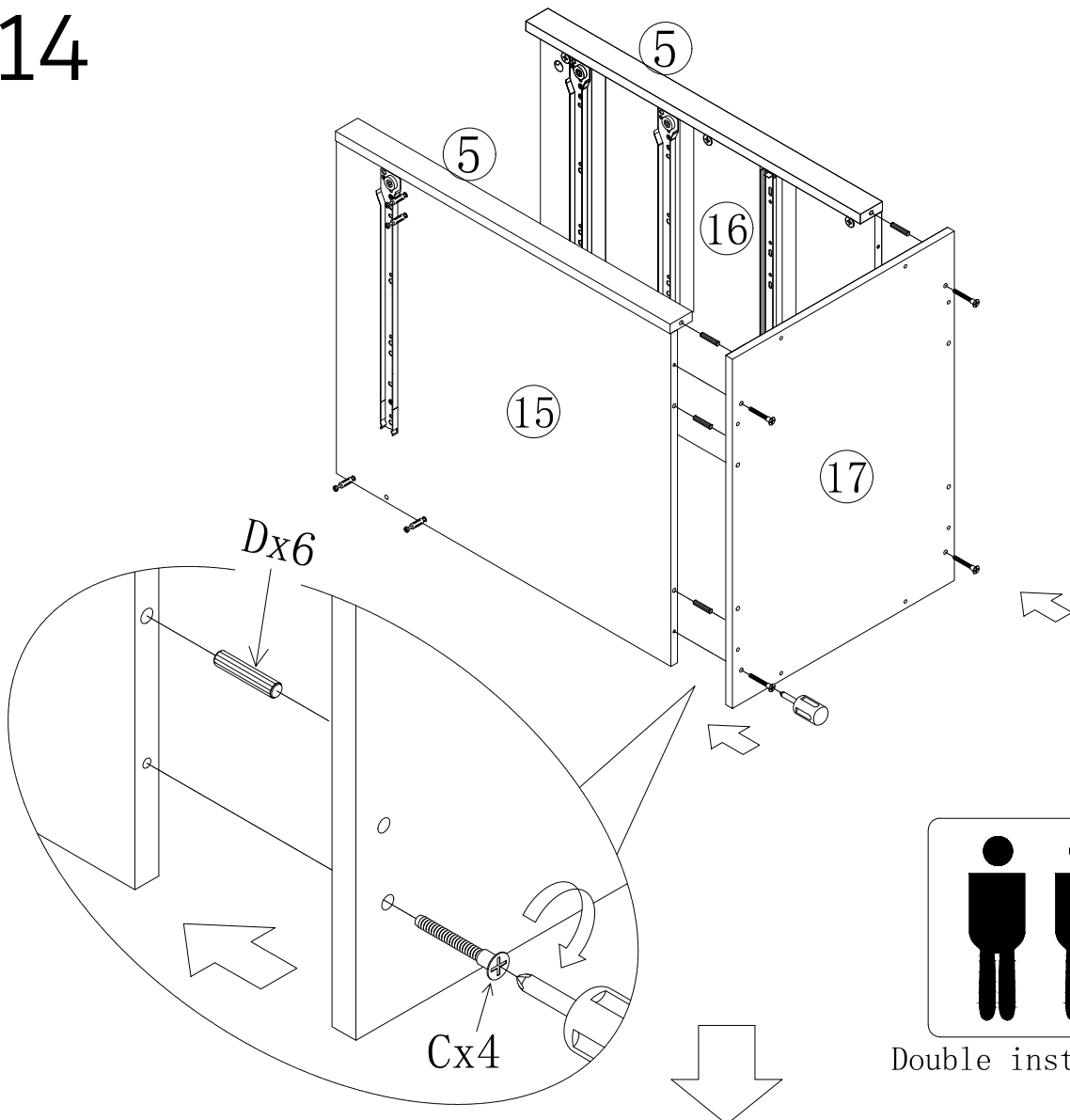
# 14



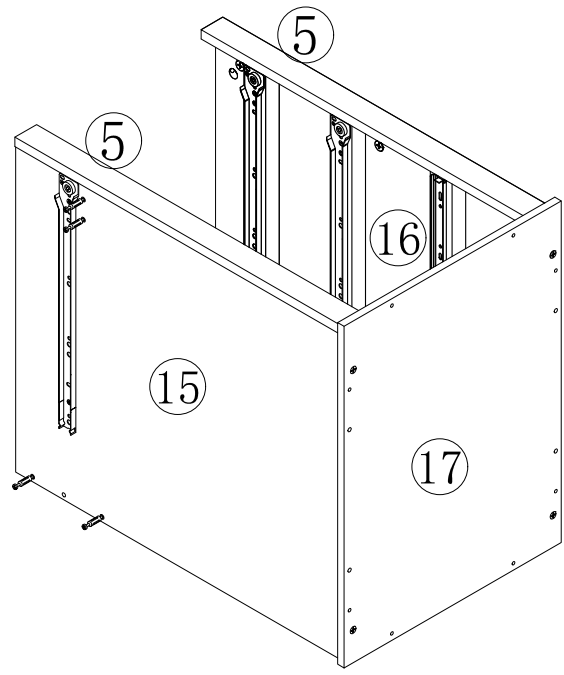
Dx6



Cx4

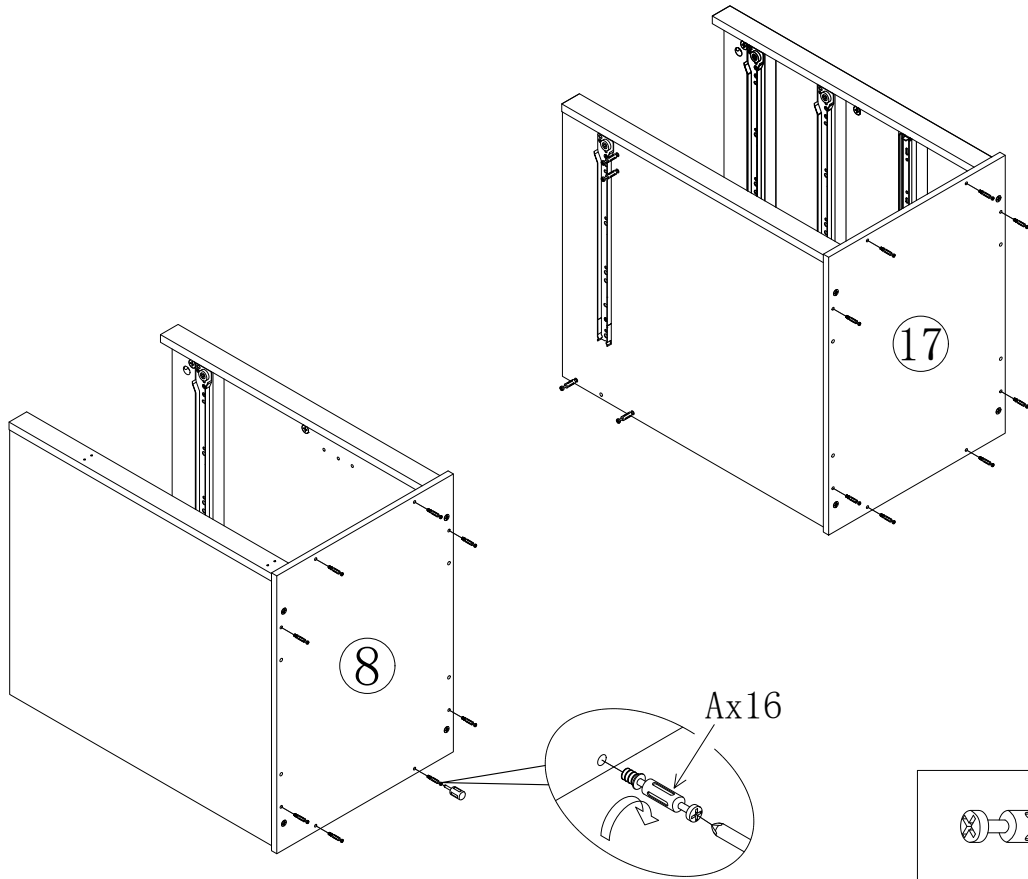


Double installation



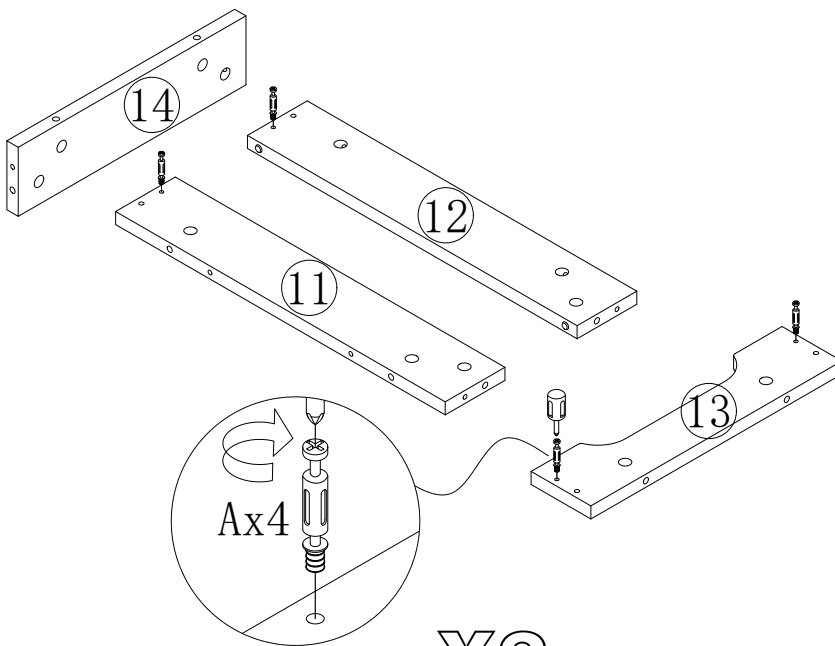
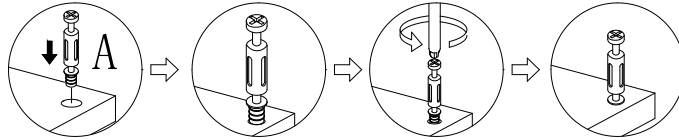
If you encounter any problems during installation, Please contact our customer service.

# 15



Ax16

# 16

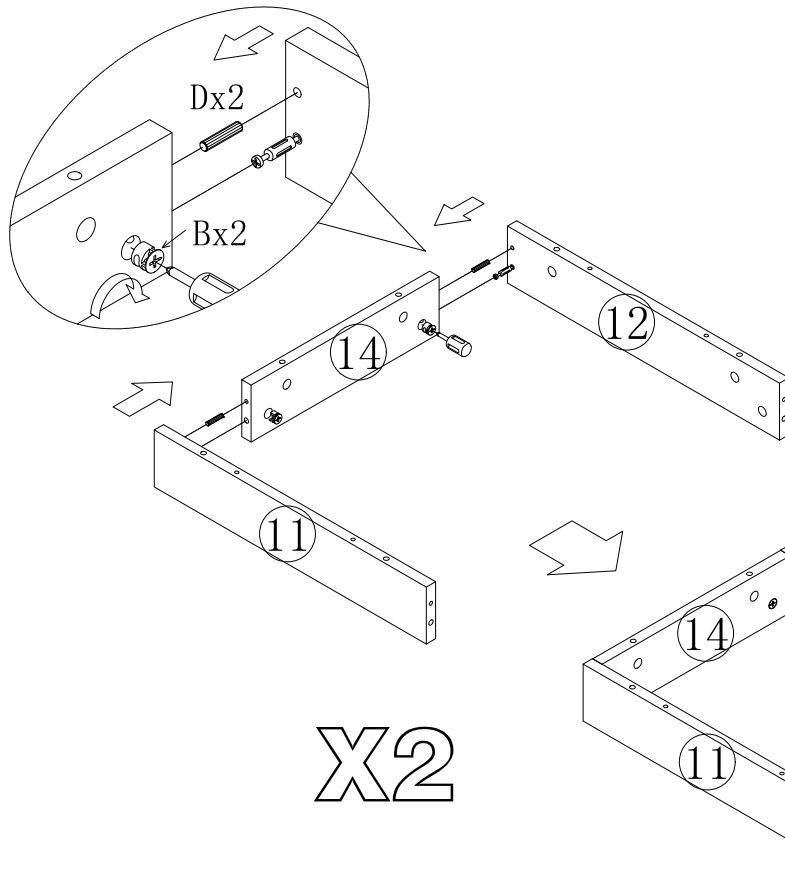


Ax8

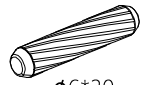
X2

If you encounter any problems during installation, Please contact our customer service.

# 17

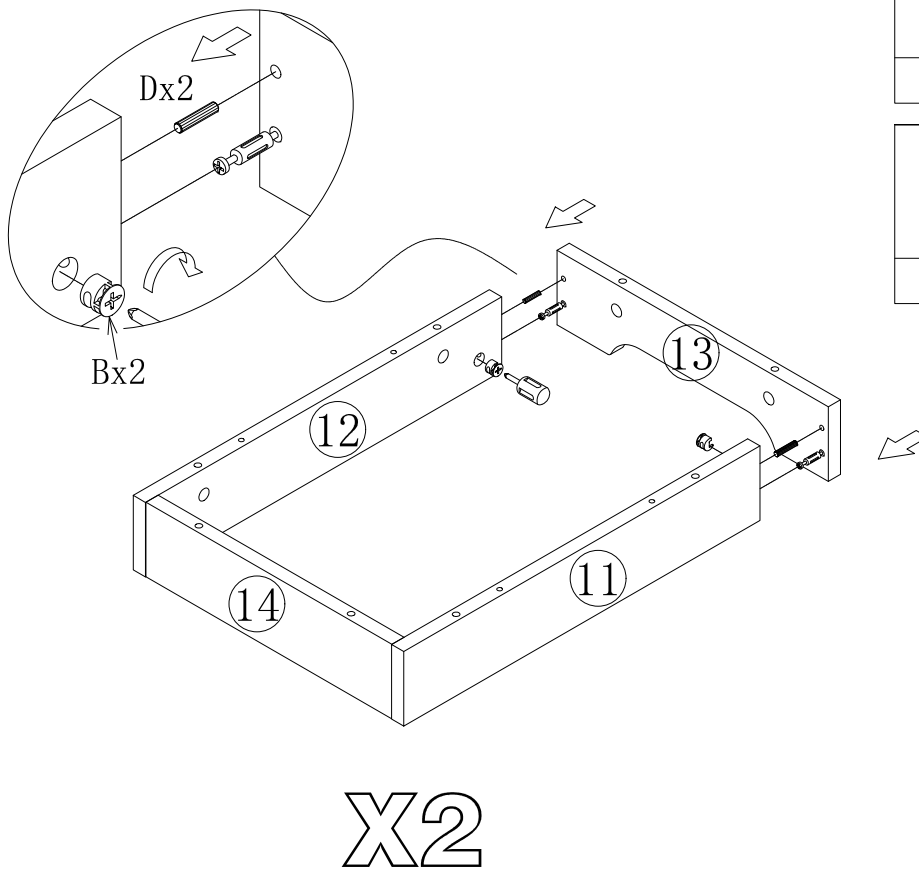


Ø15\*9.5  
Bx4



Ø6\*30  
Dx4

# 18



Ø15\*9.5  
Bx4



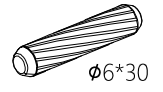
Ø6\*30  
Dx4

If you encounter any problems during installation, Please contact our customer service.

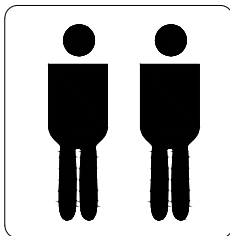
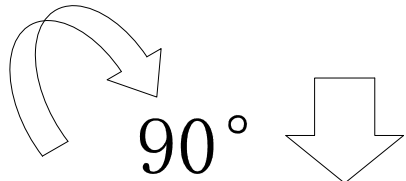
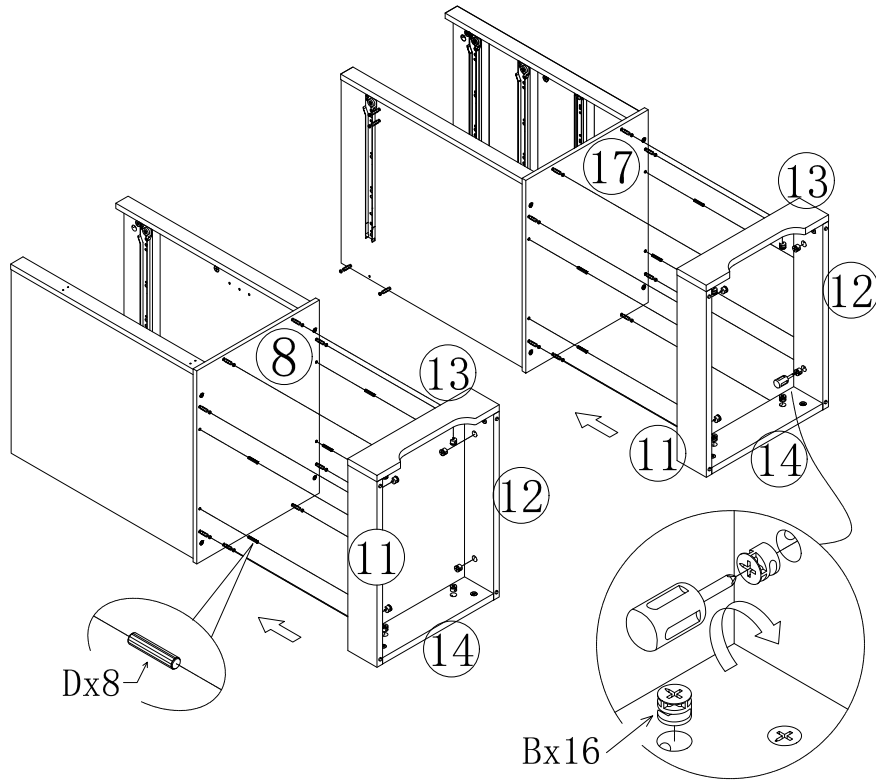
# 19



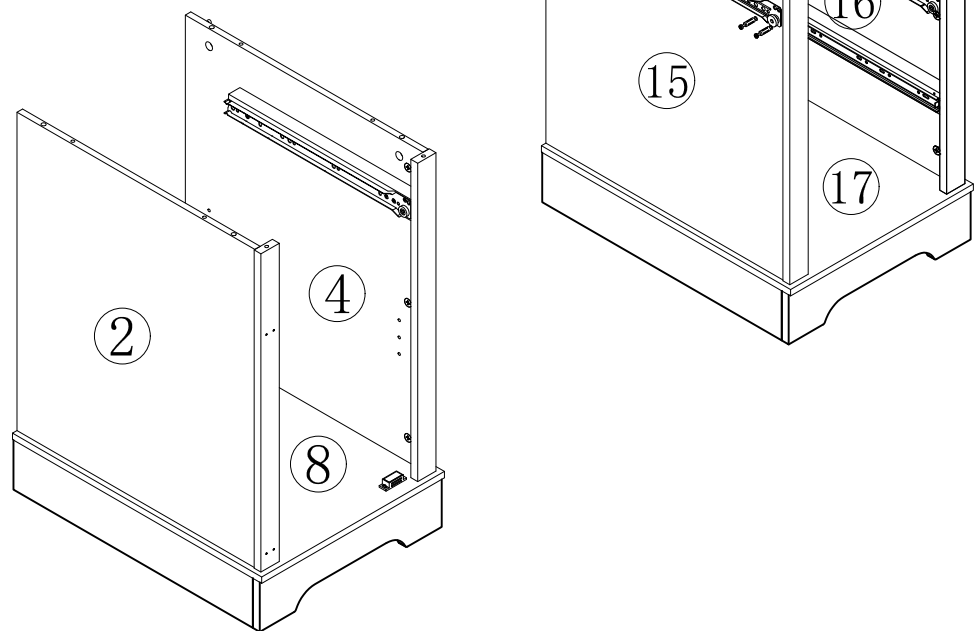
Bx16



Dx8



Double installation

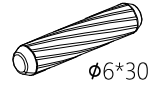


If you encounter any problems during installation, Please contact our customer service.

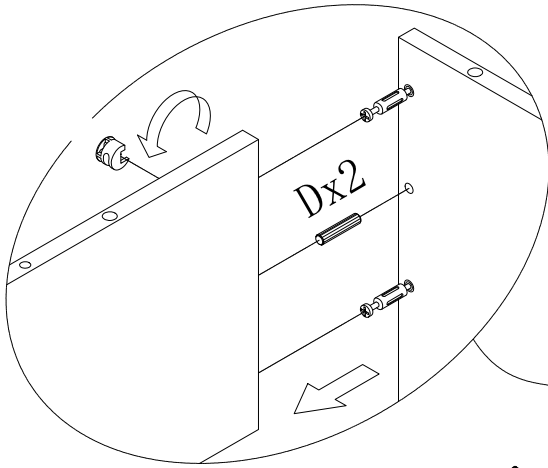
# 20



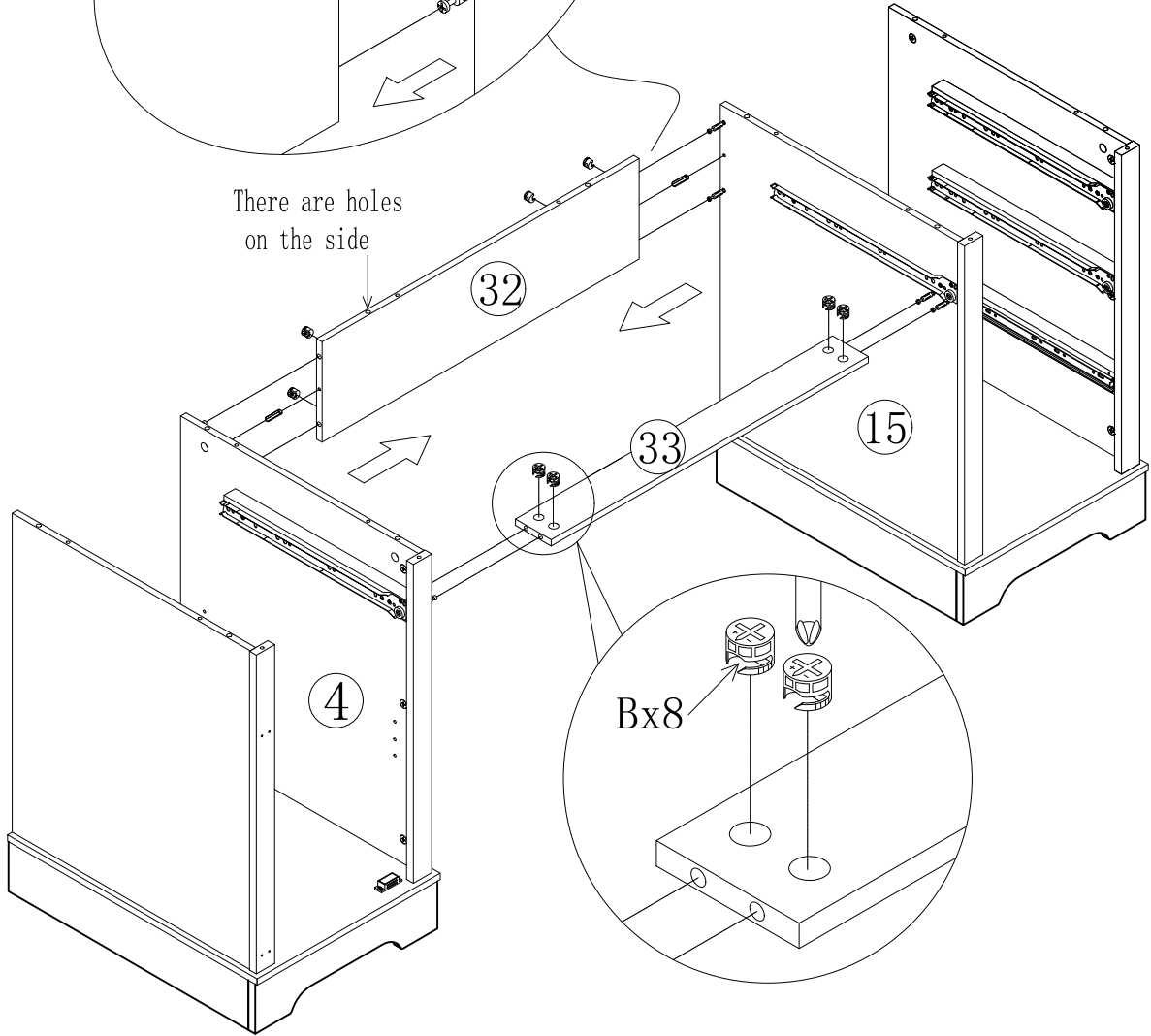
Bx8



Dx2



There are holes on the side



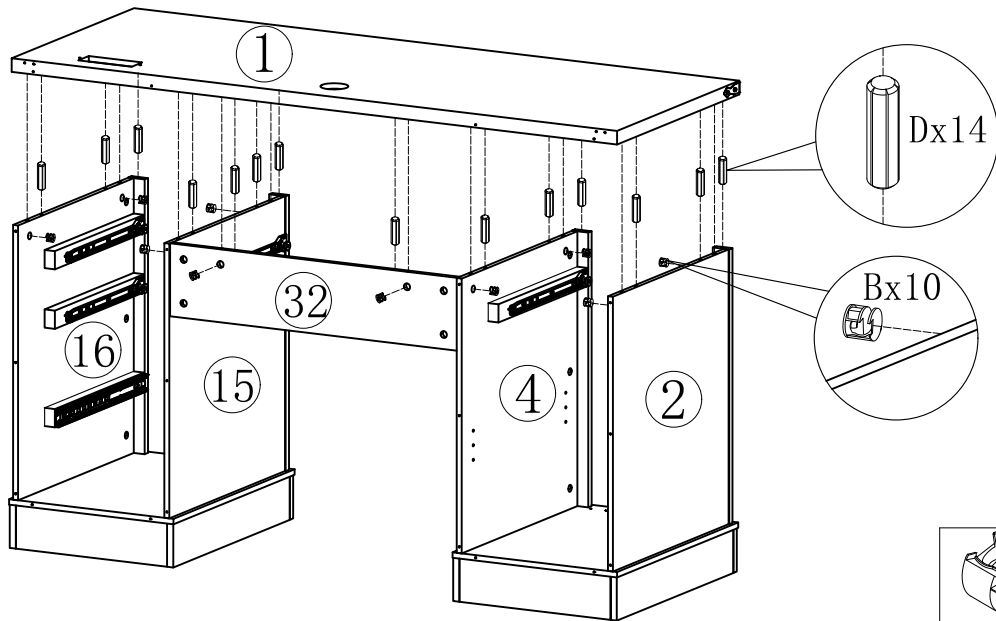
Double installation





The next step is to connect two already installed cabinets

If you encounter any problems during installation, Please contact our customer service.

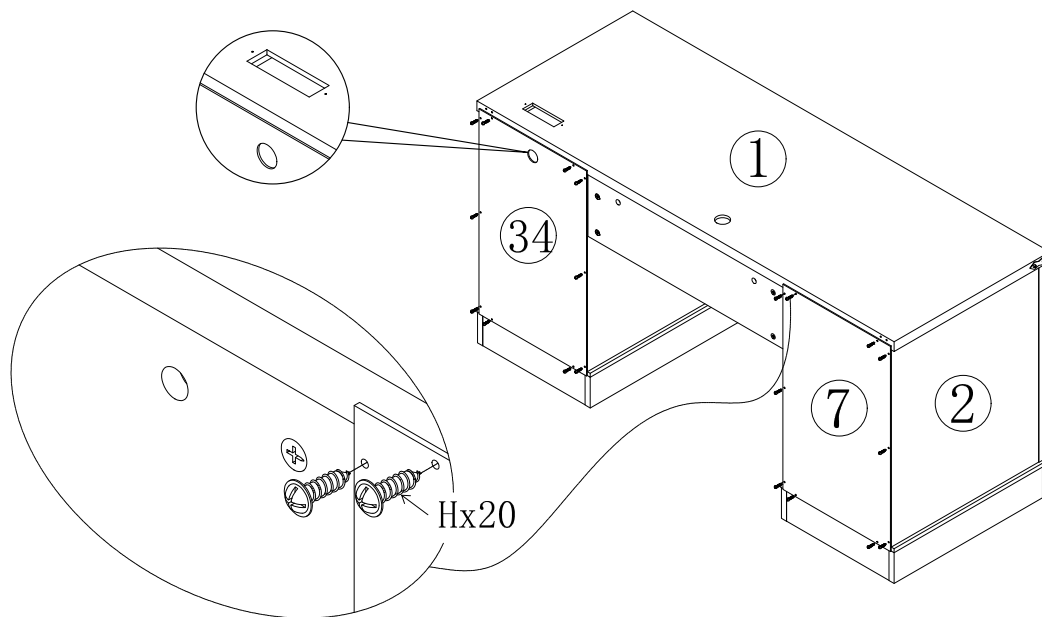
# 21

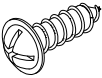


 $\phi 15 \times 9.5$
Bx10
 $\phi 6 \times 30$
Dx14

# 22

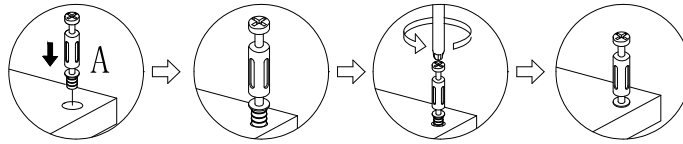
There is a perforated backboard on the socket hole side.



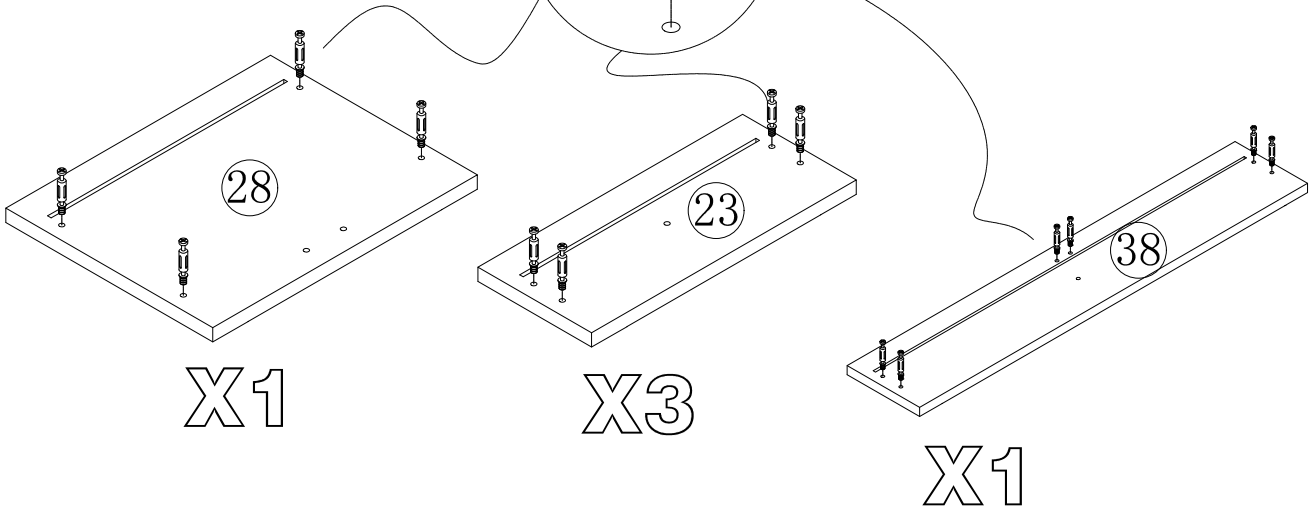
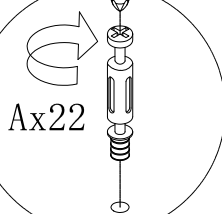

Hx20

If you encounter any problems during installation, Please contact our customer service.

# 23

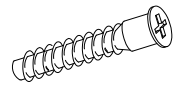


Ax22

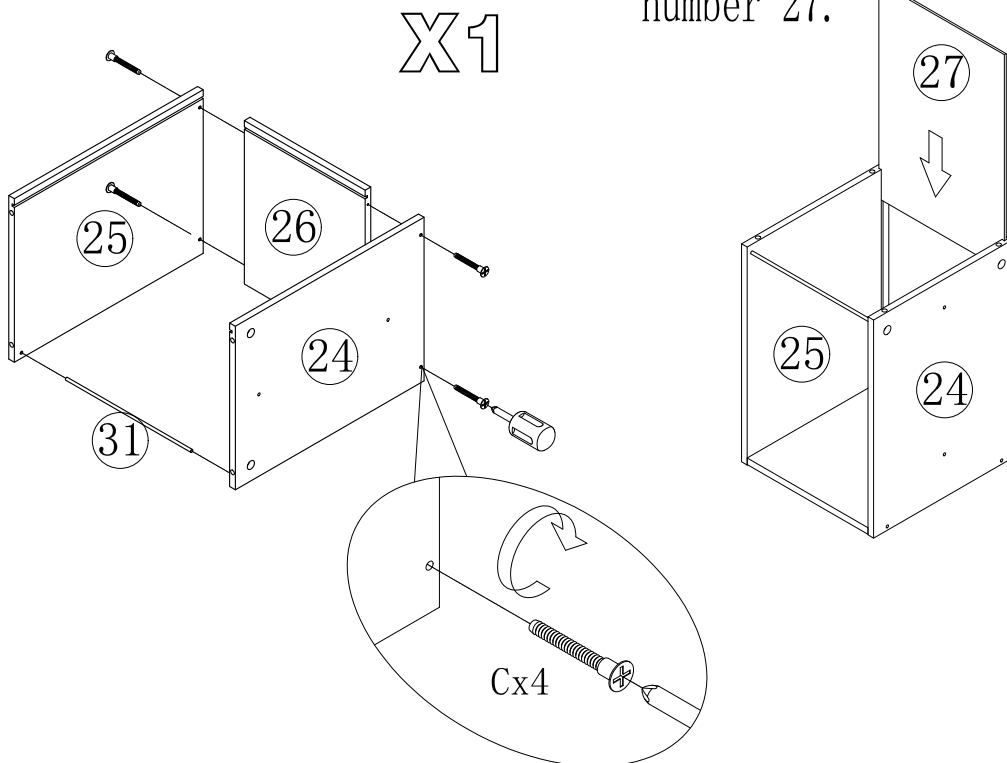


# 24

Insert the board into the slot of number 27.



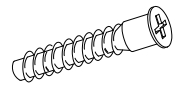
Cx4



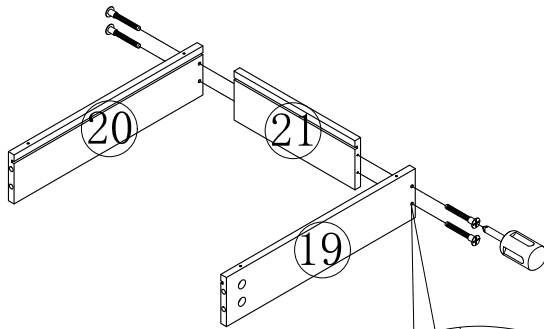
If you encounter any problems during installation, Please contact our customer service.

# 25

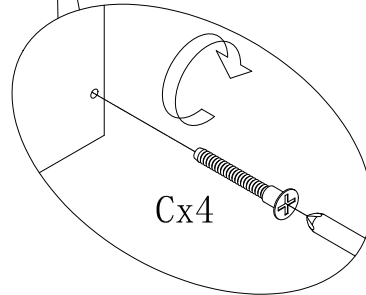
Insert the board into the slot of number 22.



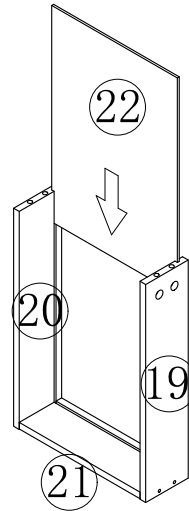
Cx12



X3



Cx4



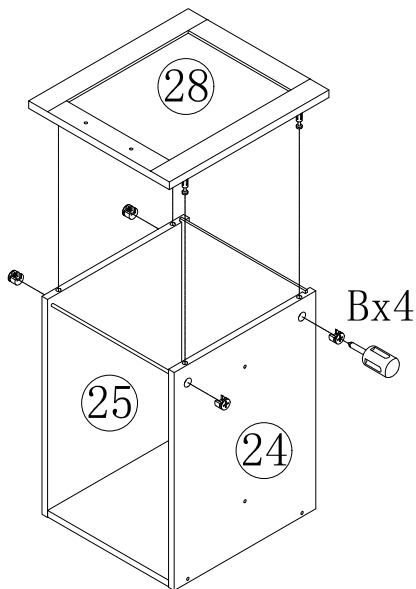
X3

# 26

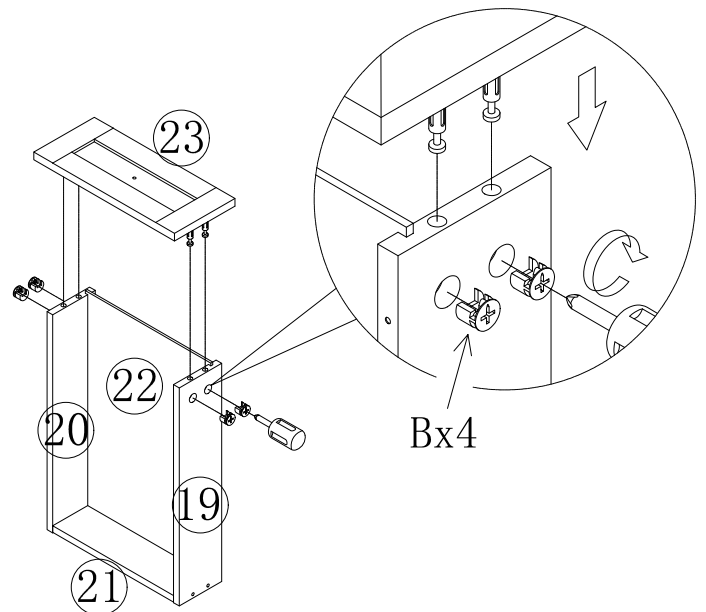


Ø15\*9.5

Bx16



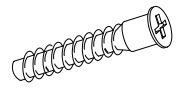
X1



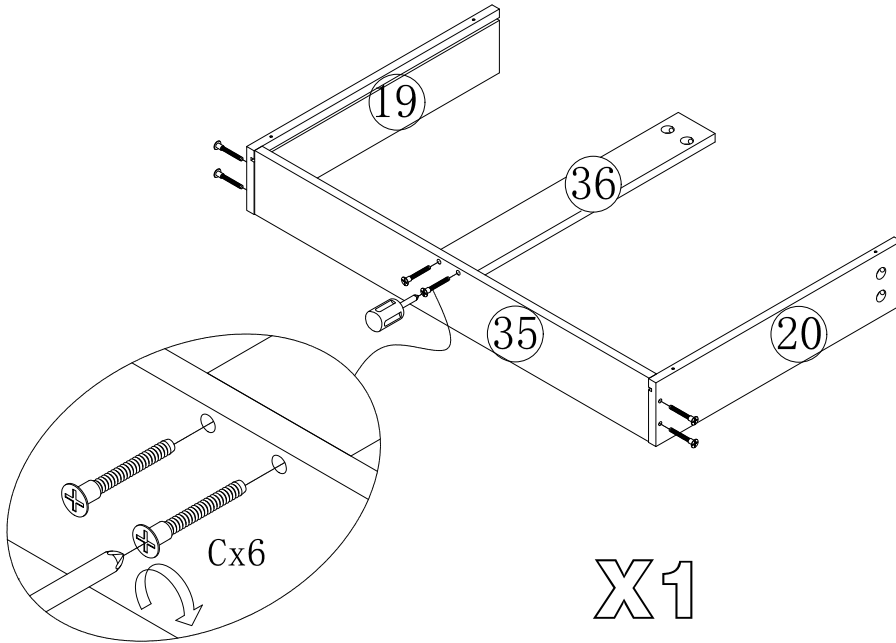
X3

If you encounter any problems during installation, Please contact our customer service.

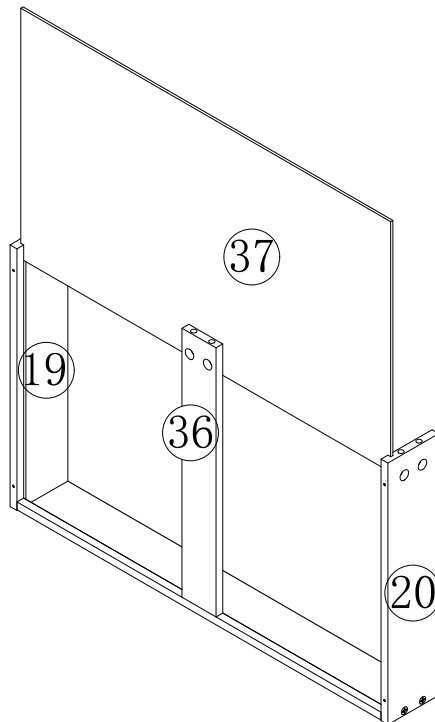
# 27



Cx6



# 28



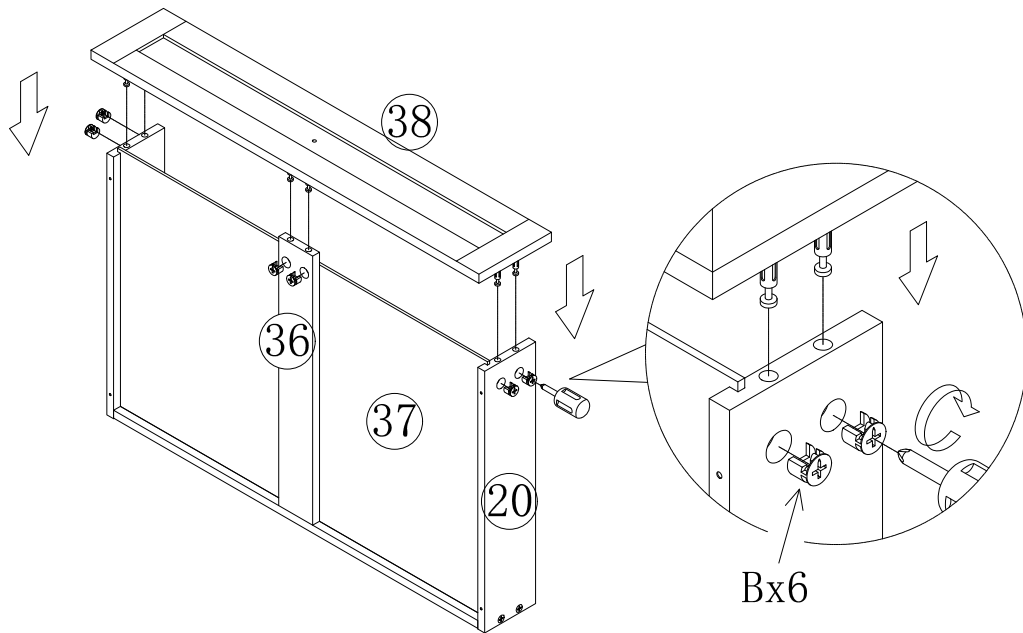
If you encounter any problems during installation, Please contact our customer service.

# 29

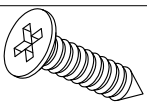
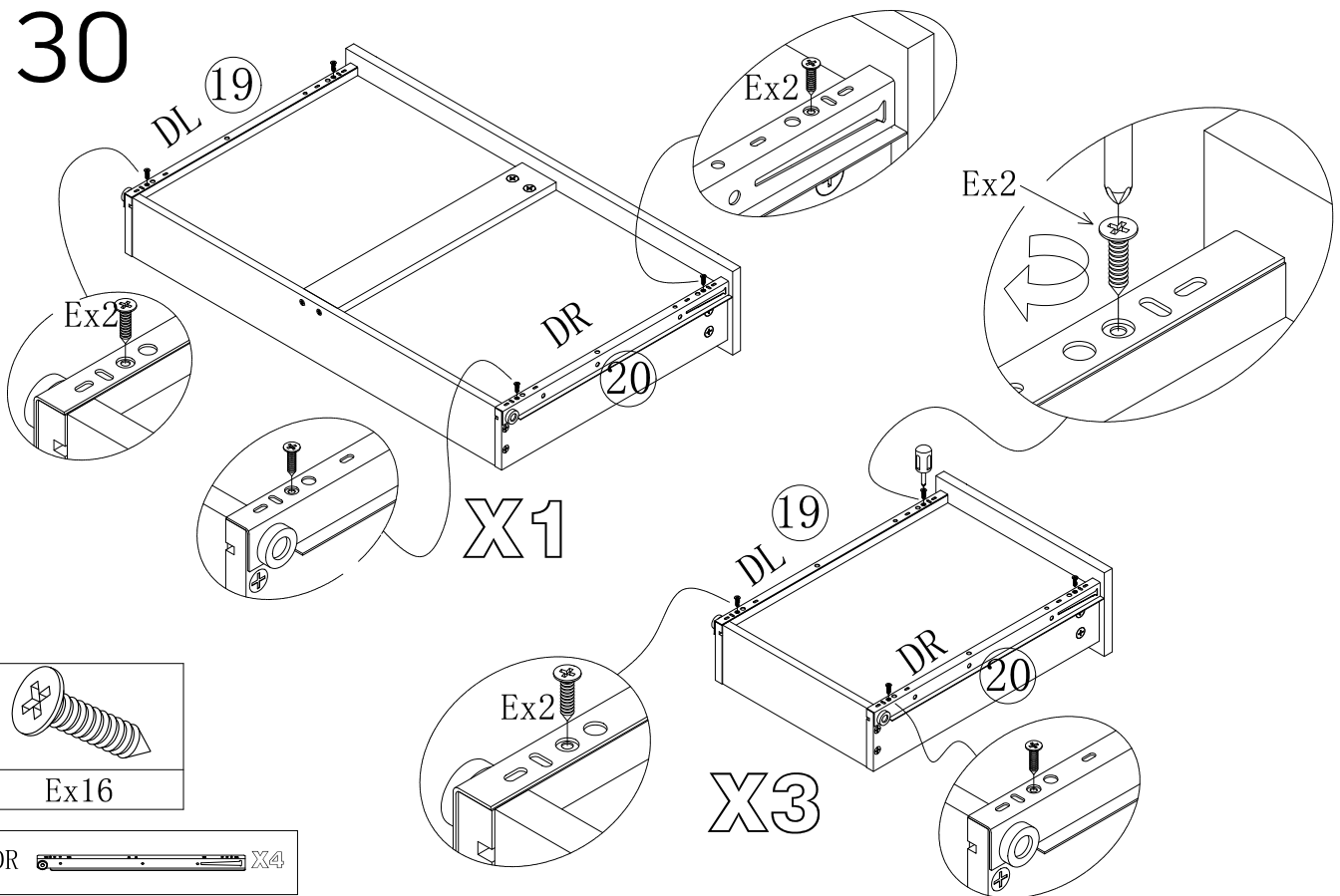


φ15\*9.5

Bx6



# 30



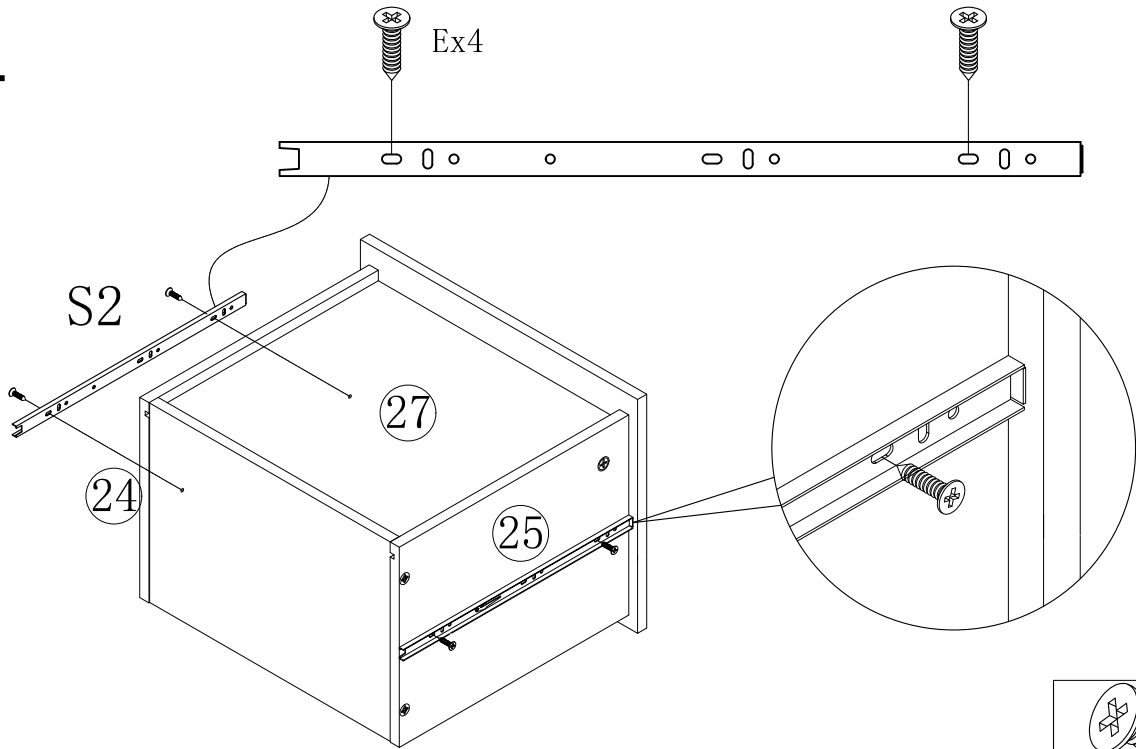
Ex16

DR  X4

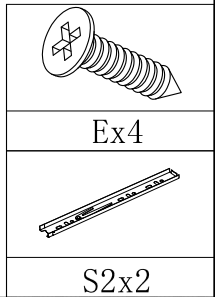
DL  X4

If you encounter any problems during installation, Please contact our customer service.

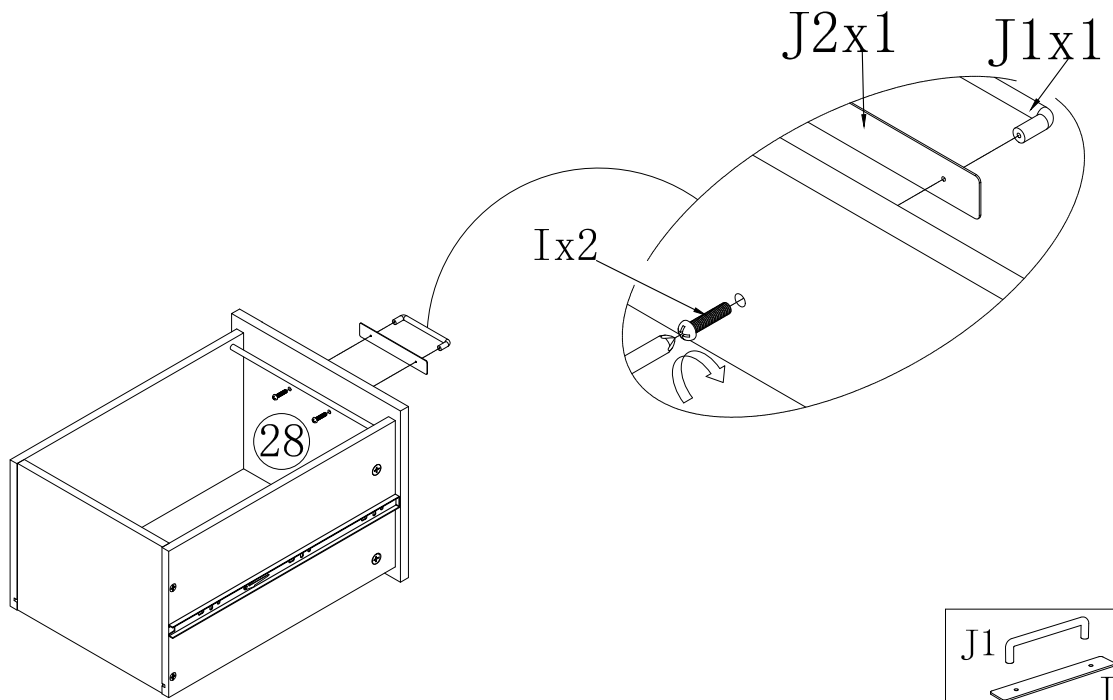
# 31



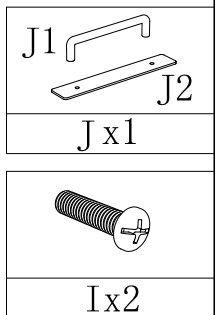
## X1



# 32

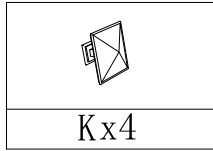
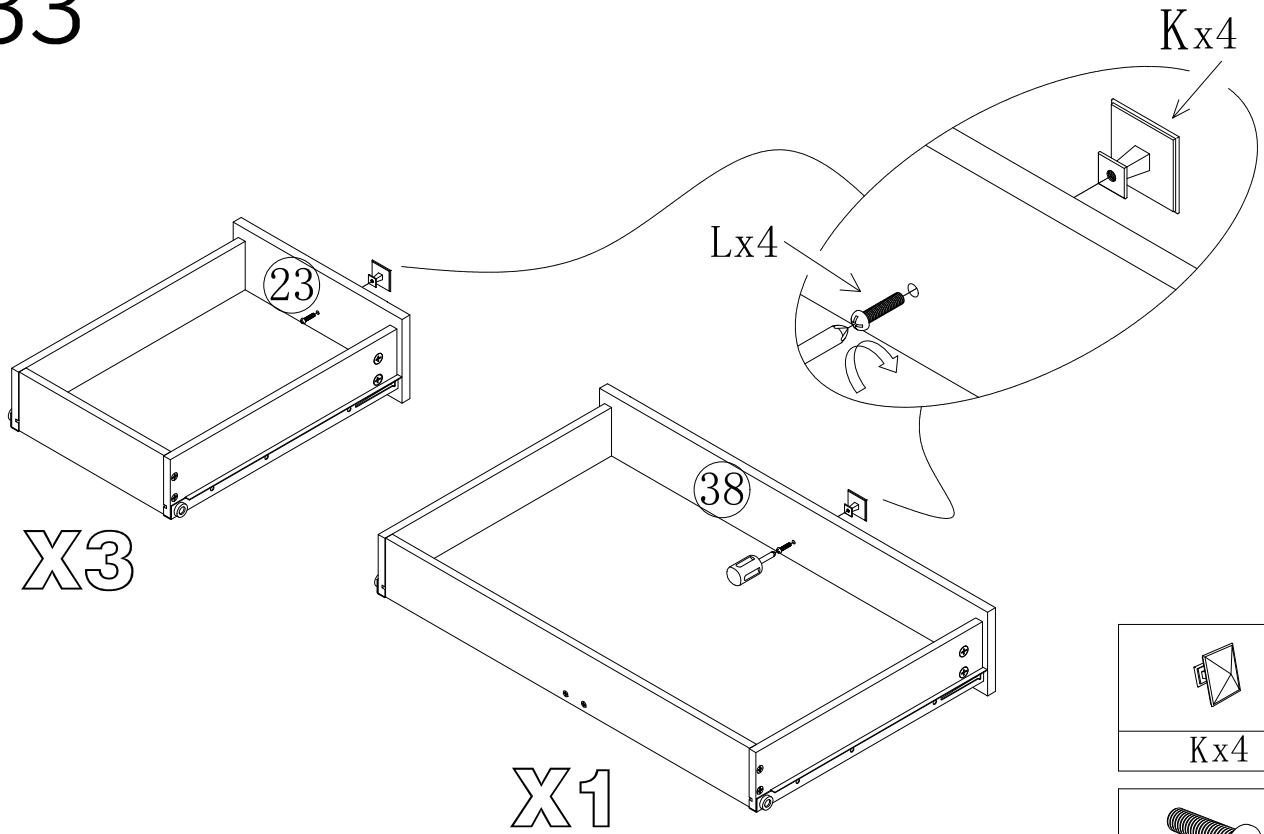


## X1

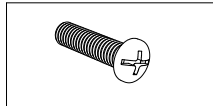


If you encounter any problems during installation, Please contact our customer service.

# 33

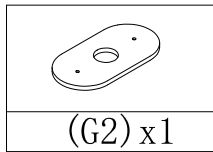
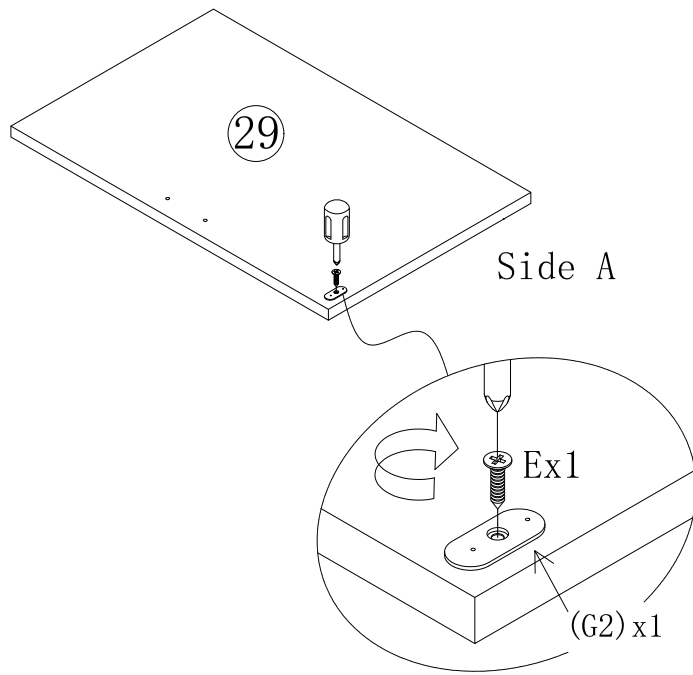


Kx4

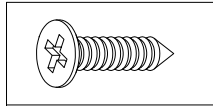


Lx4

# 34



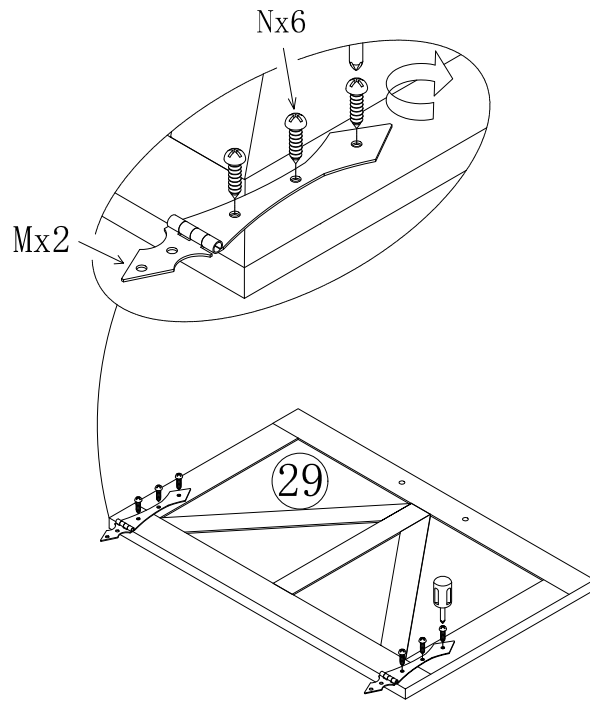
(G2) x1



Ex1

If you encounter any problems during installation, Please contact our customer service.

# 35

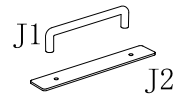
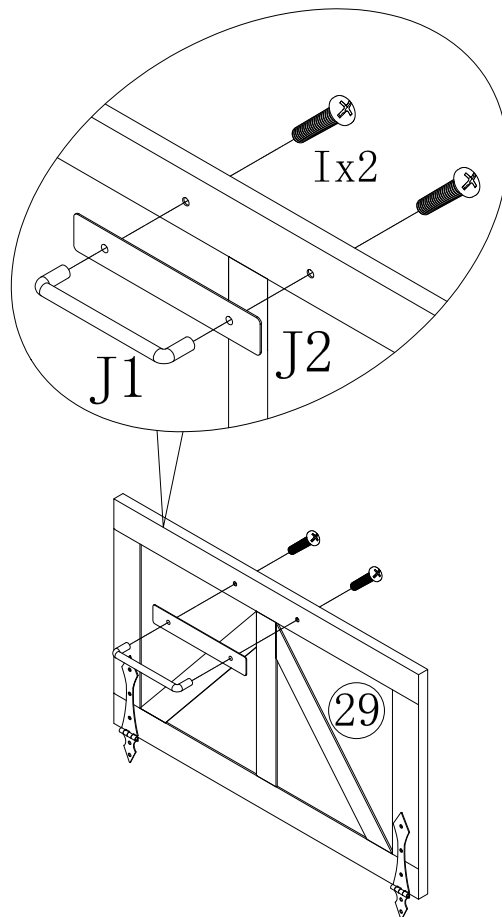


Nx6

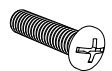


Mx2

# 36



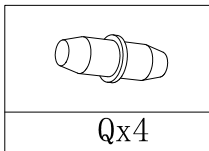
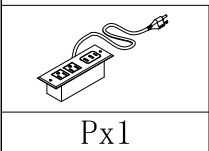
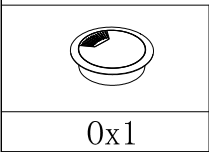
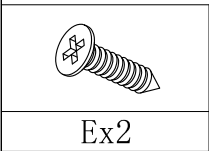
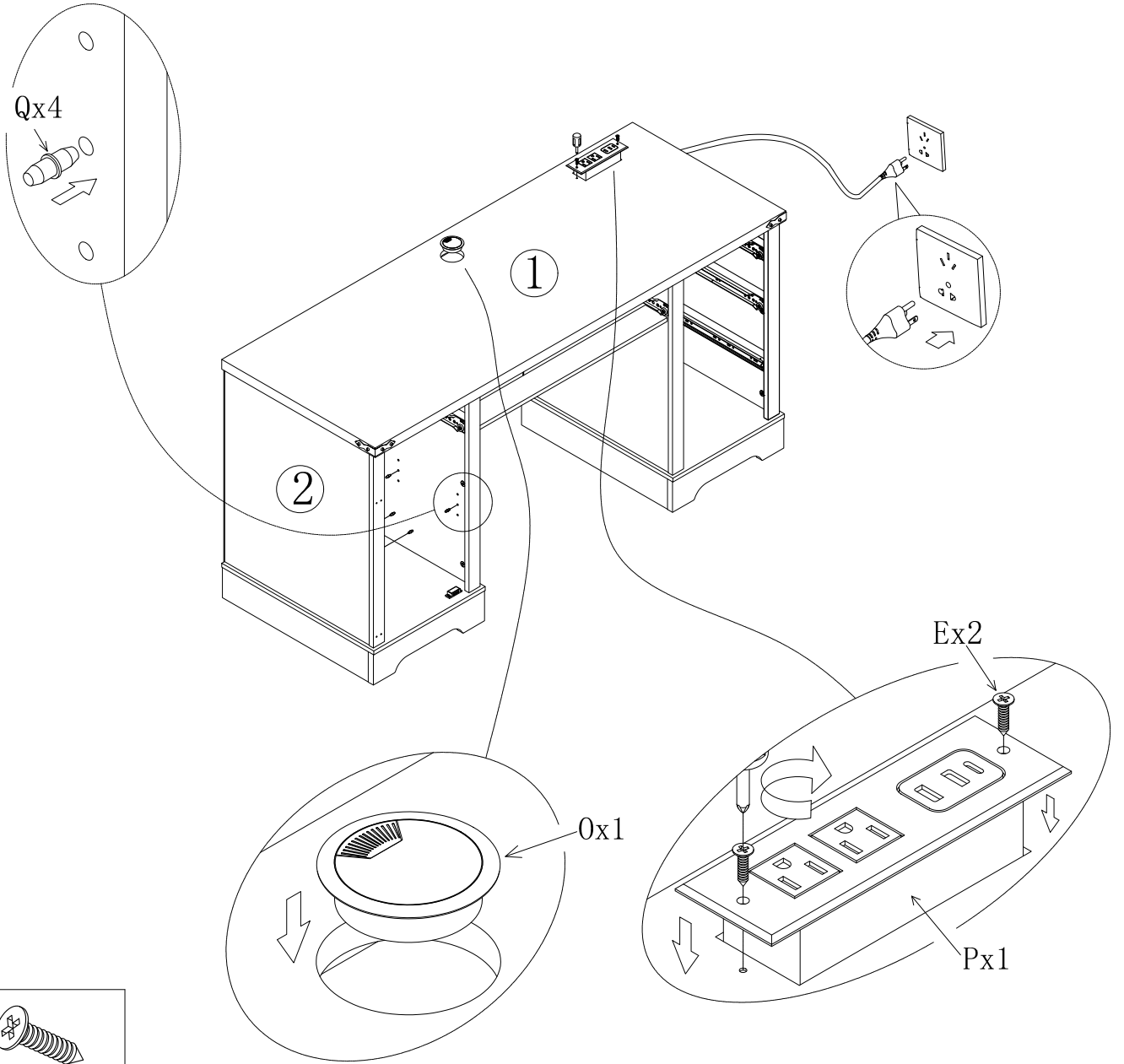
J x 1



I x 2

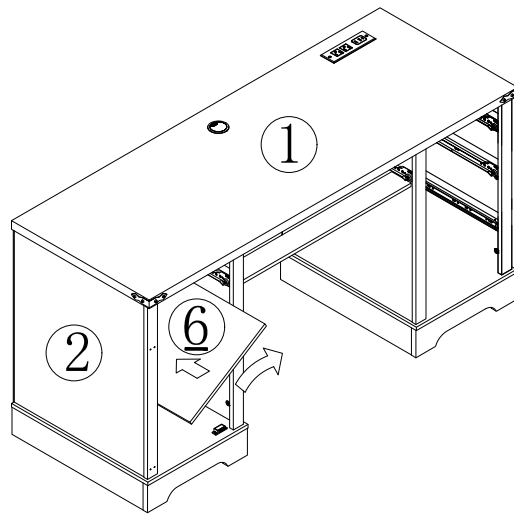
If you encounter any problems during installation, Please contact our customer service.

# 37

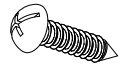


If you encounter any problems during installation, Please contact our customer service.

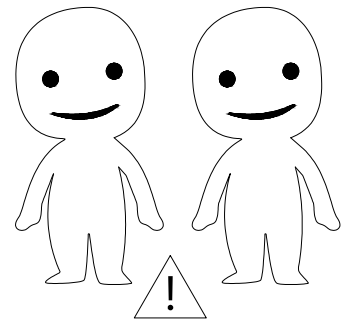
# 38



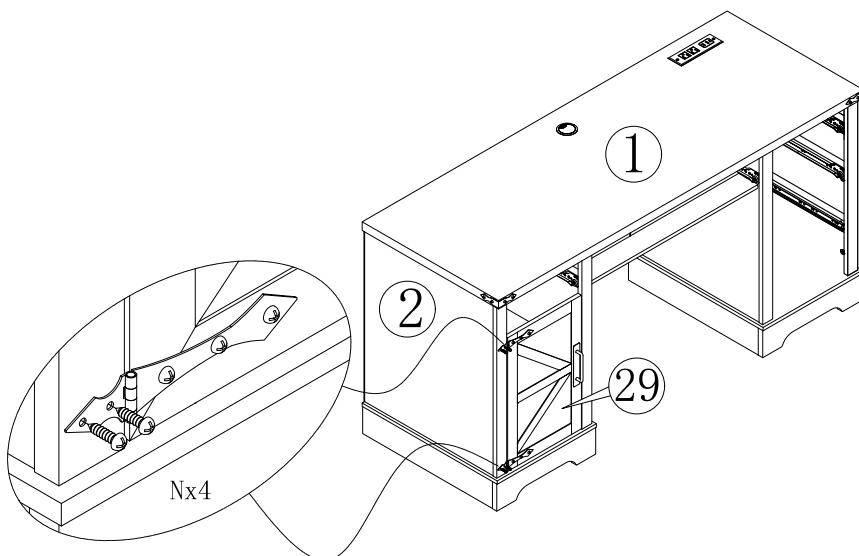
# 39



Nx4

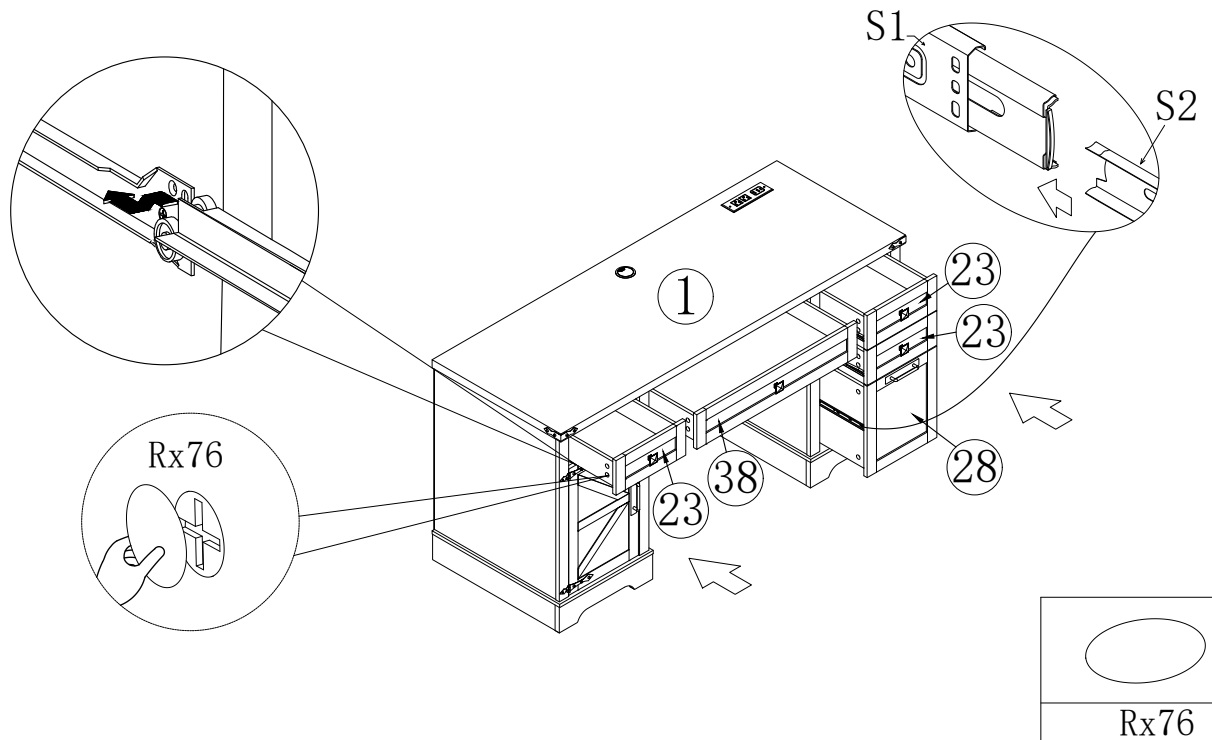


This step requires two people to complete



If you encounter any problems during installation, Please contact our customer service.

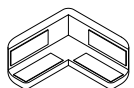
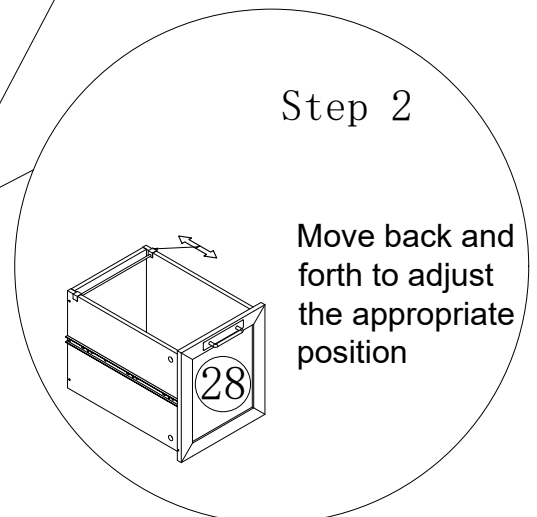
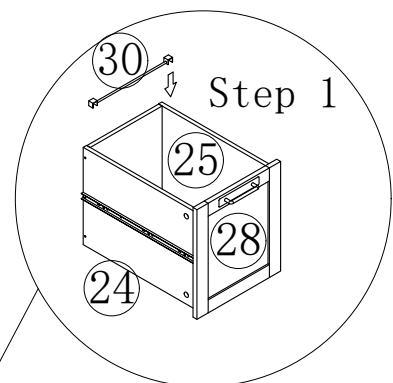
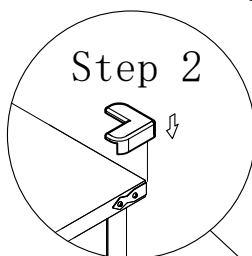
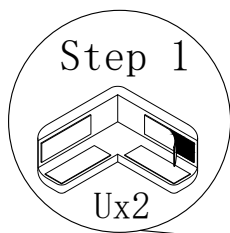
# 40



# 41

Tear off four protective layers.

Stick it on the two iron corners at the front as shown in the picture



Ux2

If you encounter any problems during installation, Please contact our customer service.