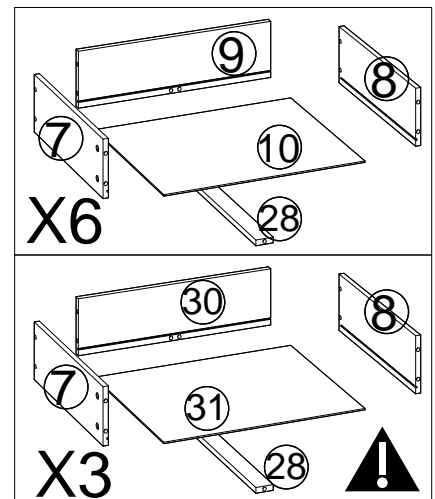
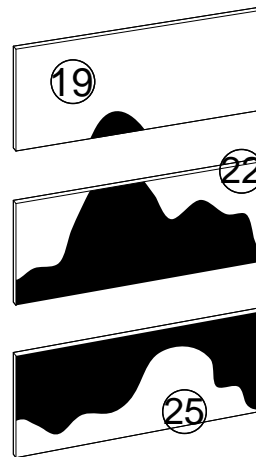
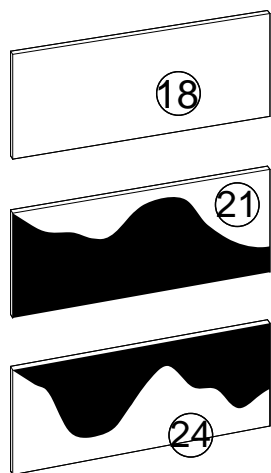
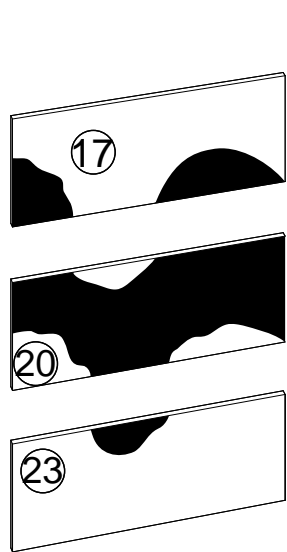
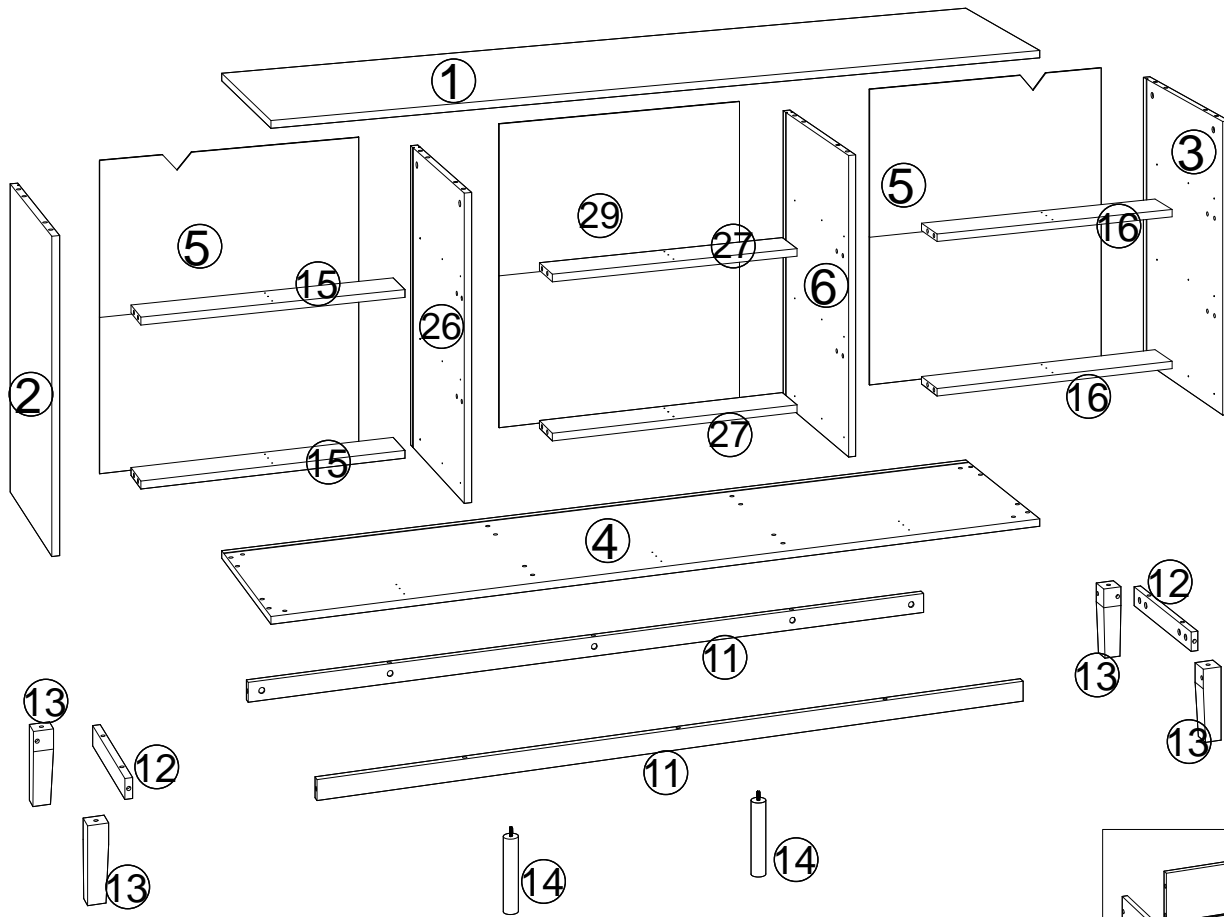


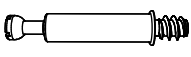
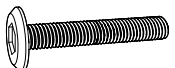
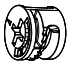
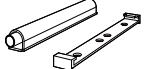

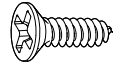
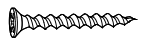
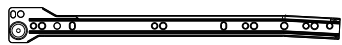
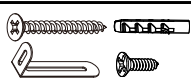



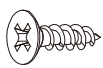
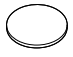

HKBFDC059

INSTALLATION INSTRUCTIONS



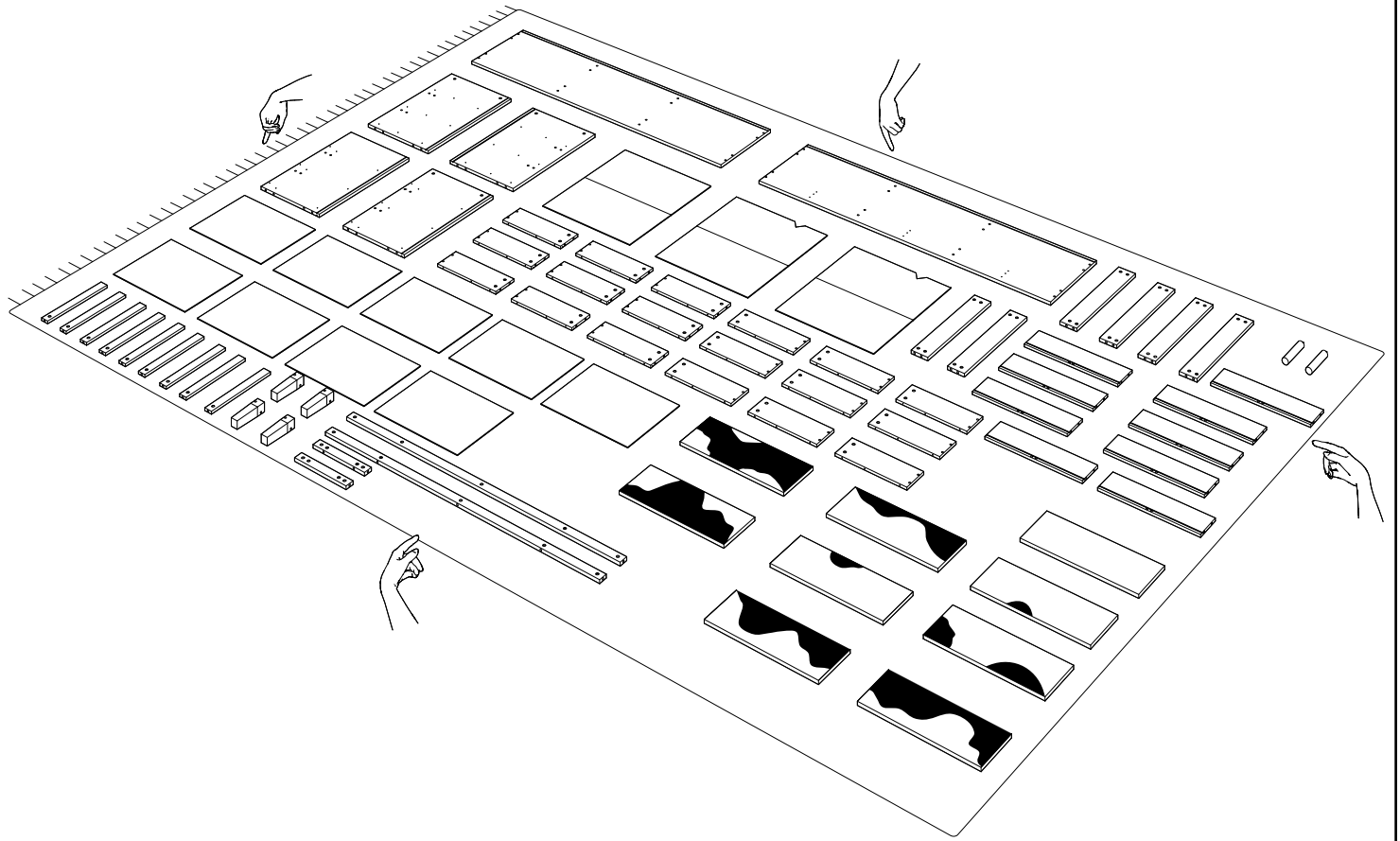
! these 3 pcs drawers size is a little different with 6 pcs drawers! So pls assemble the drawers strictly follow the instruction steps during your assembling!

HARDWARE LIST

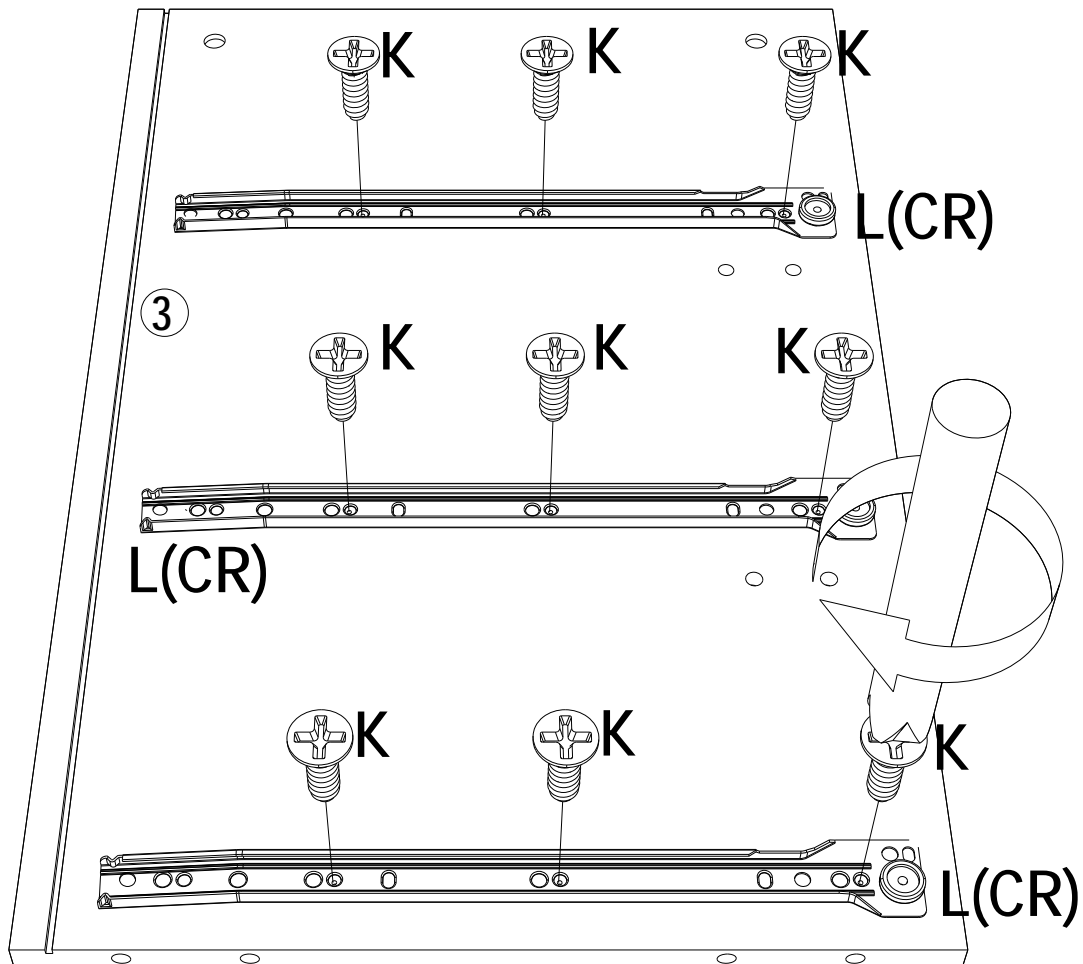
NO.	DESCRIPTION	QTY	NO.	DESCRIPTION	QTY
A	 $\Phi 6*35$	95	I	 $\Phi 6*20$	4
B	 $\Phi 15*10$	95	J		9
C	 $\Phi 6*30$	16	K	 $\Phi 3.5*12$	135
D	 $\Phi 4*35$	62	L	 CL	9
E		2		 DL	
F		12		 CR	
G	 $\Phi 3*16$	12	Z		6
H		1			

Layout Parts on Soft Surface

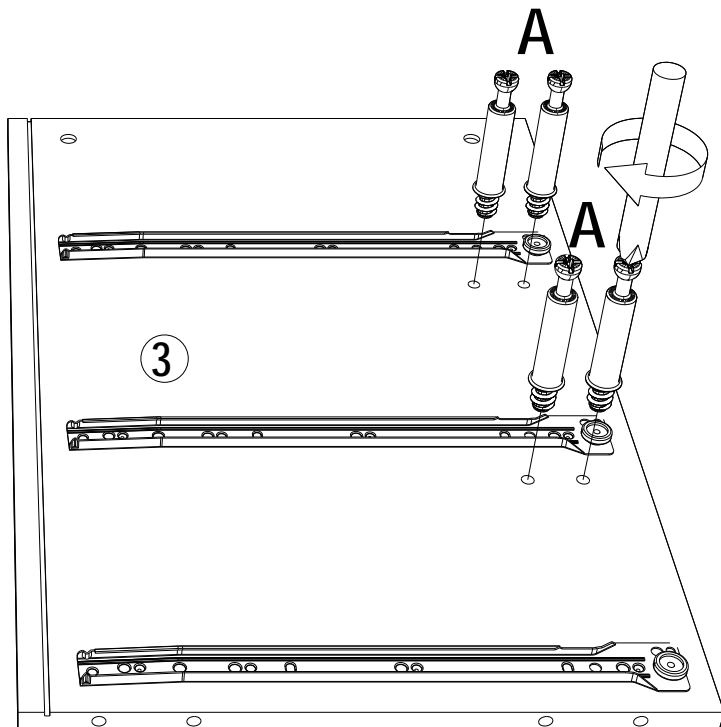
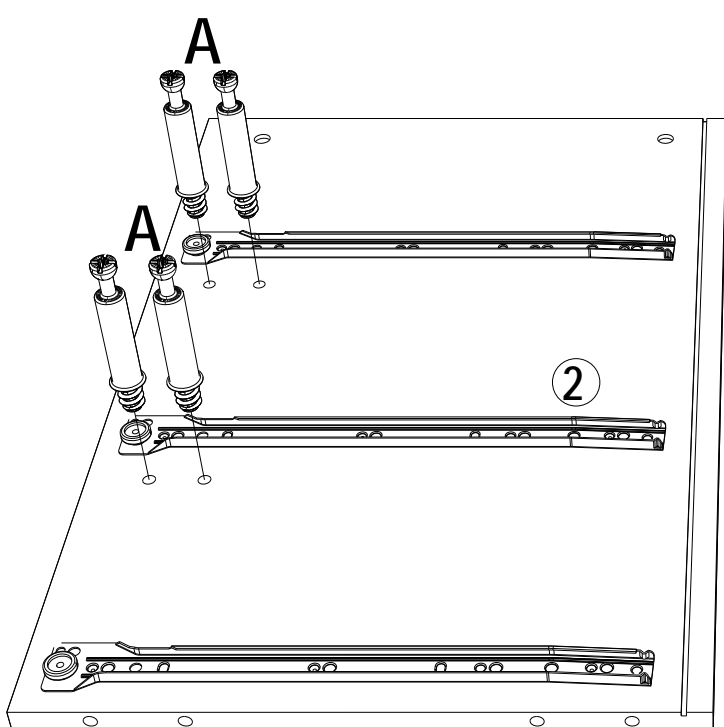
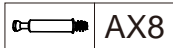
Lay out all parts on a soft surface i.e. Rug, Carpet or Packaging Carton



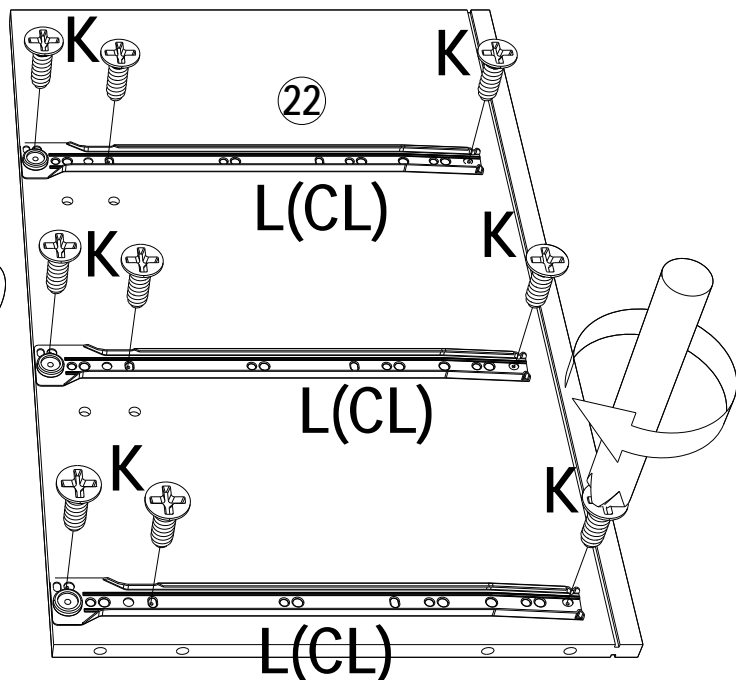
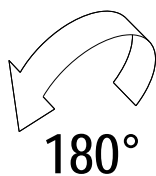
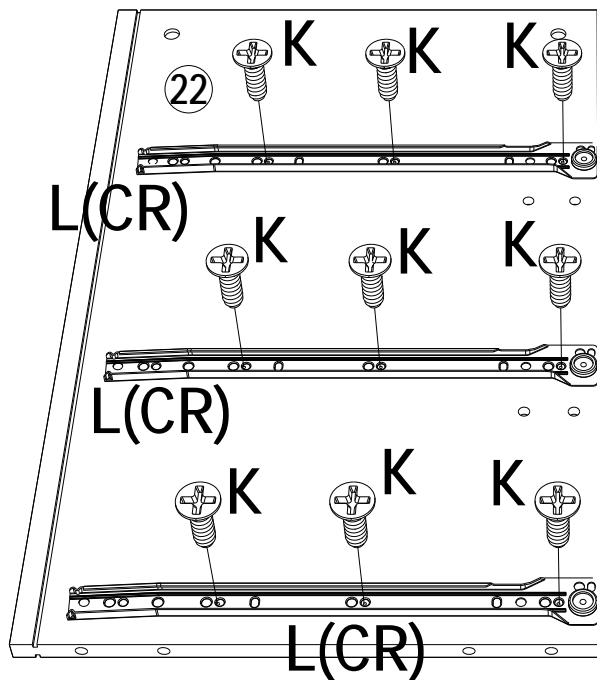
STEP 3



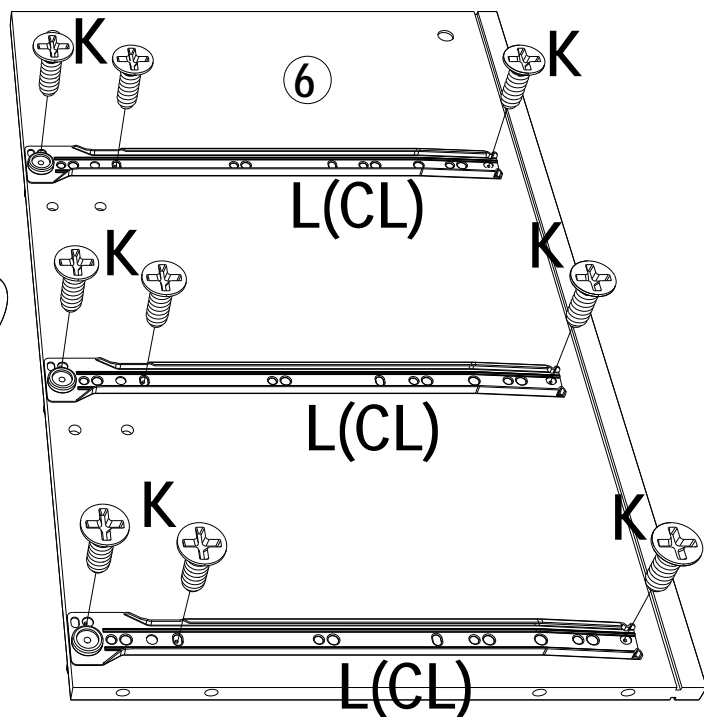
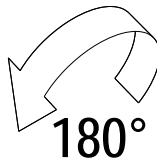
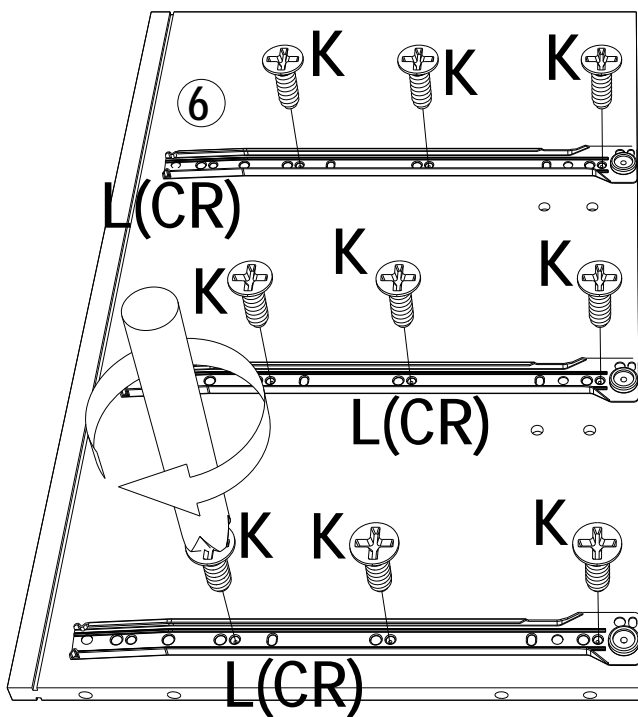
STEP 4



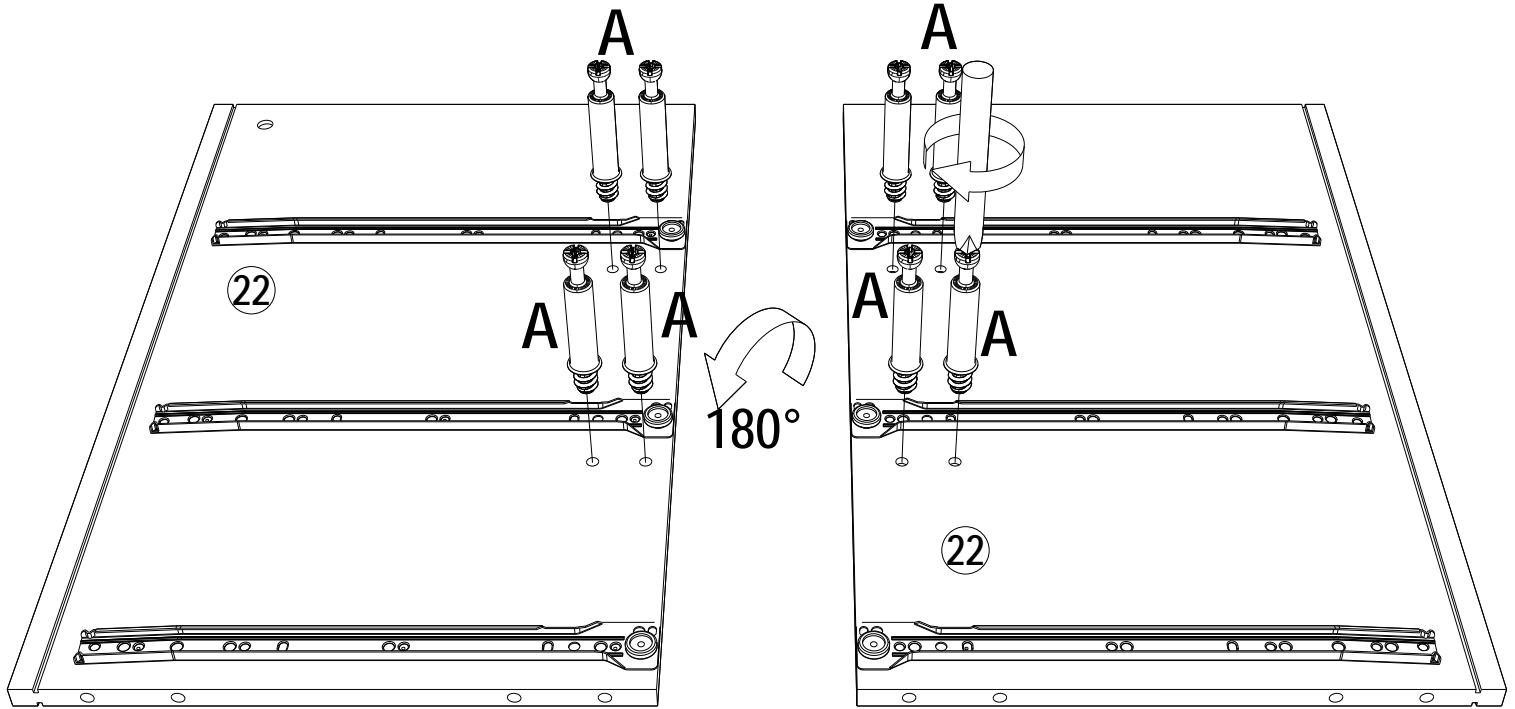
STEP 5



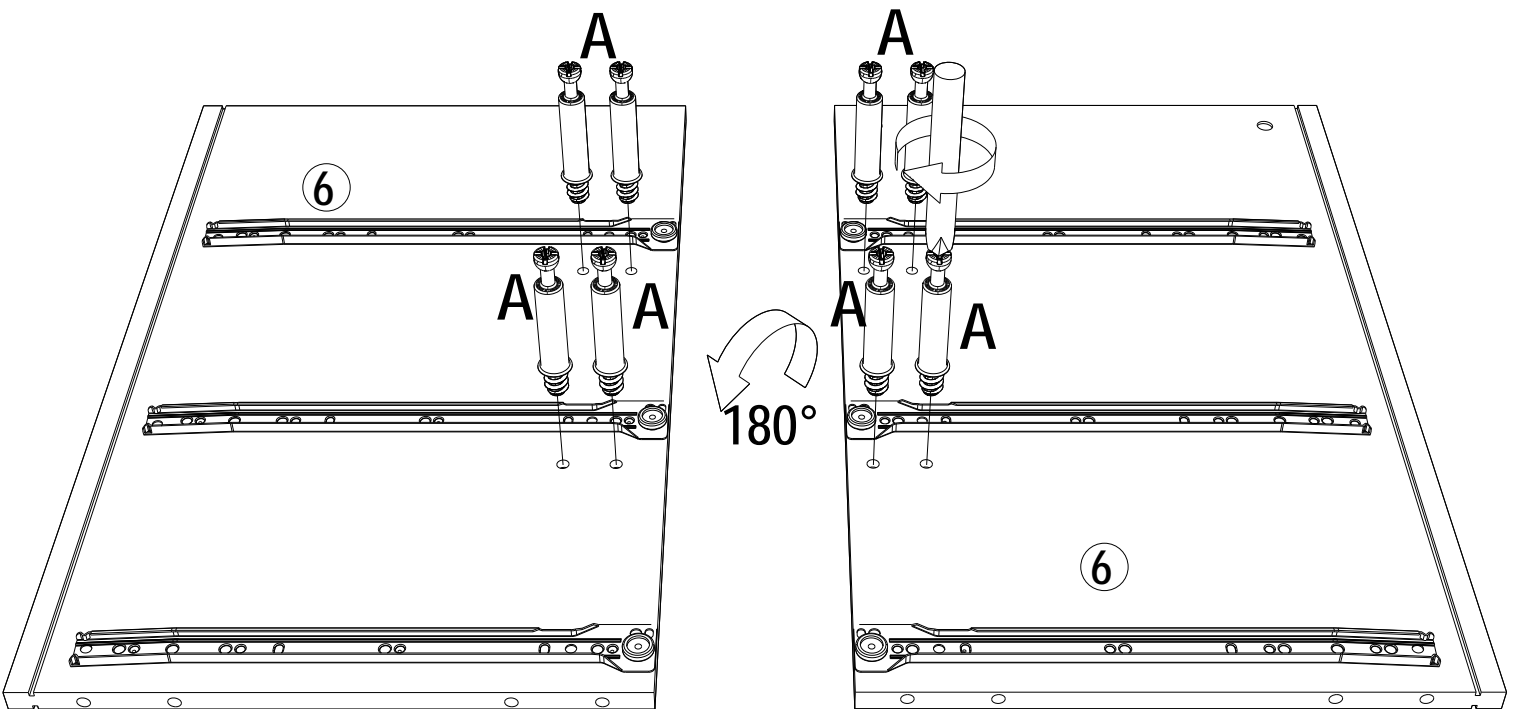
STEP 6



STEP 7

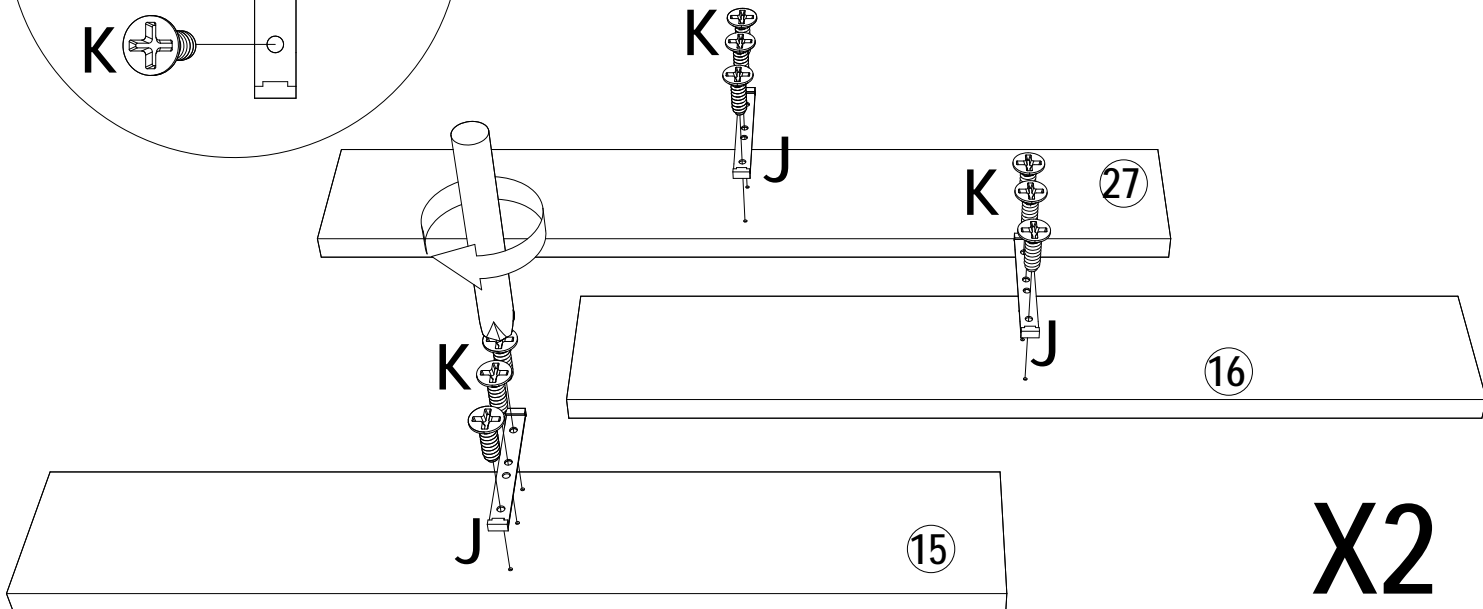
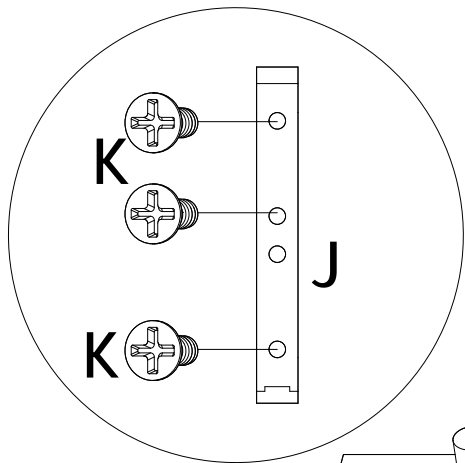


STEP 8



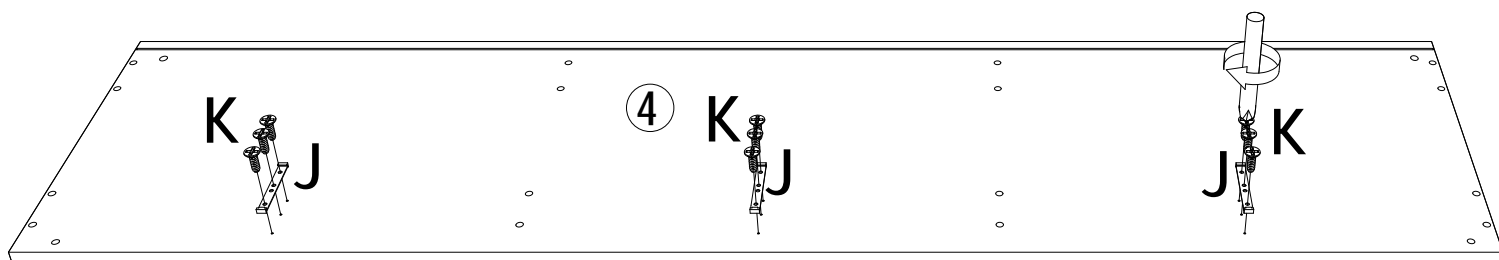
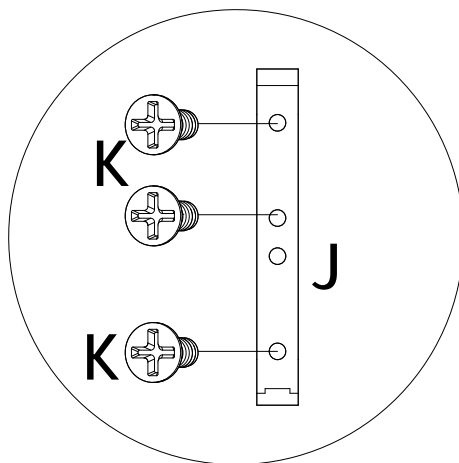
STEP 9

JX6 KX18

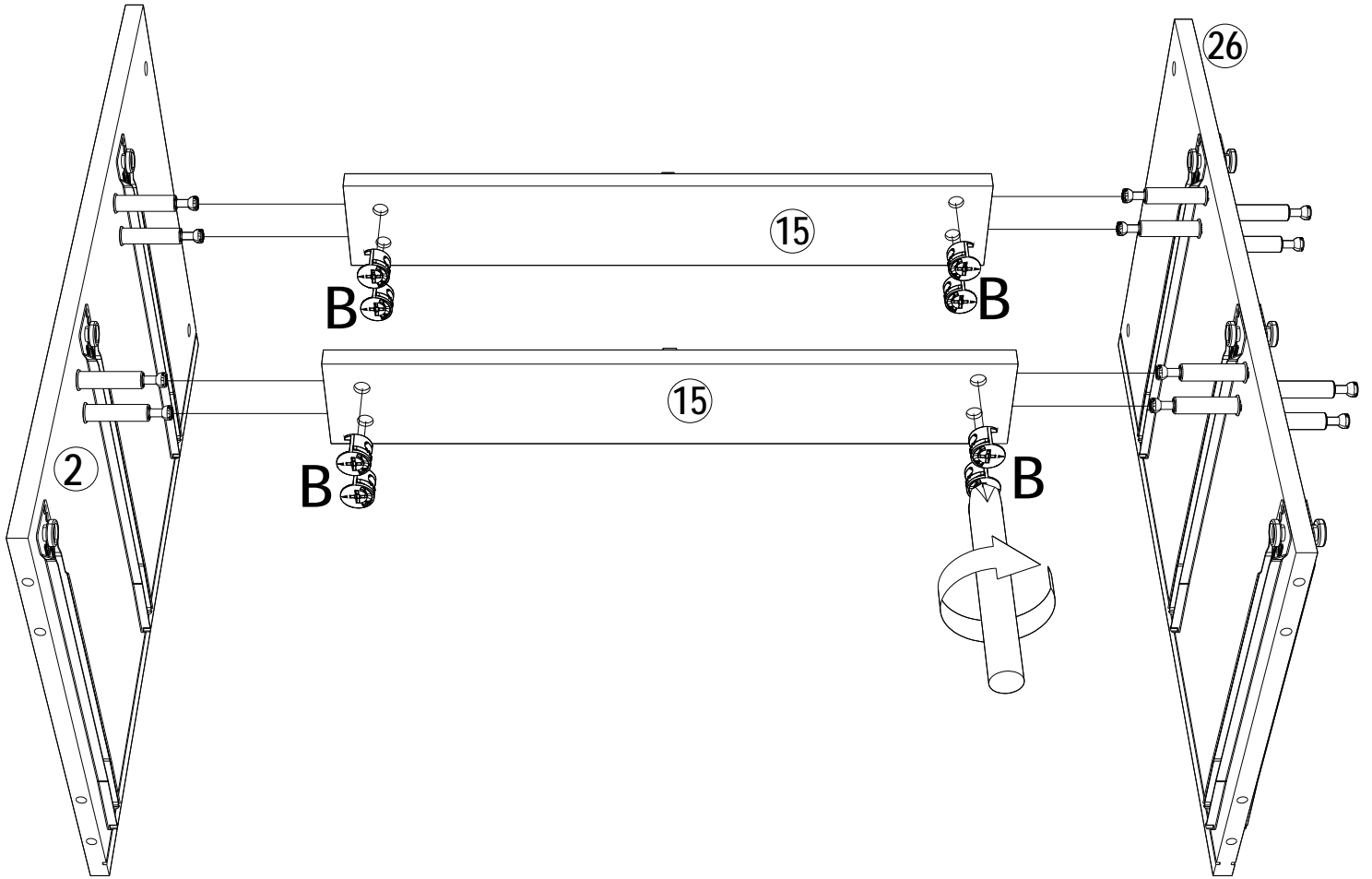


STEP 10

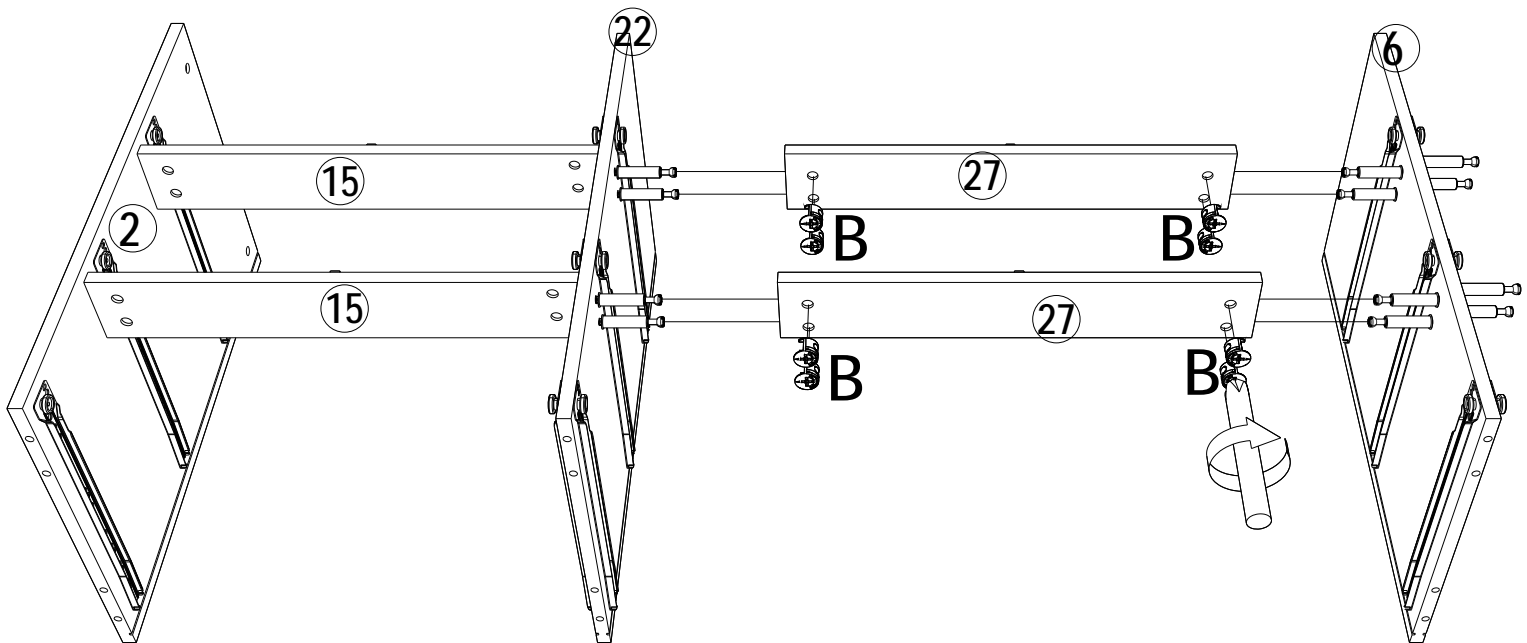
JX3 KX9



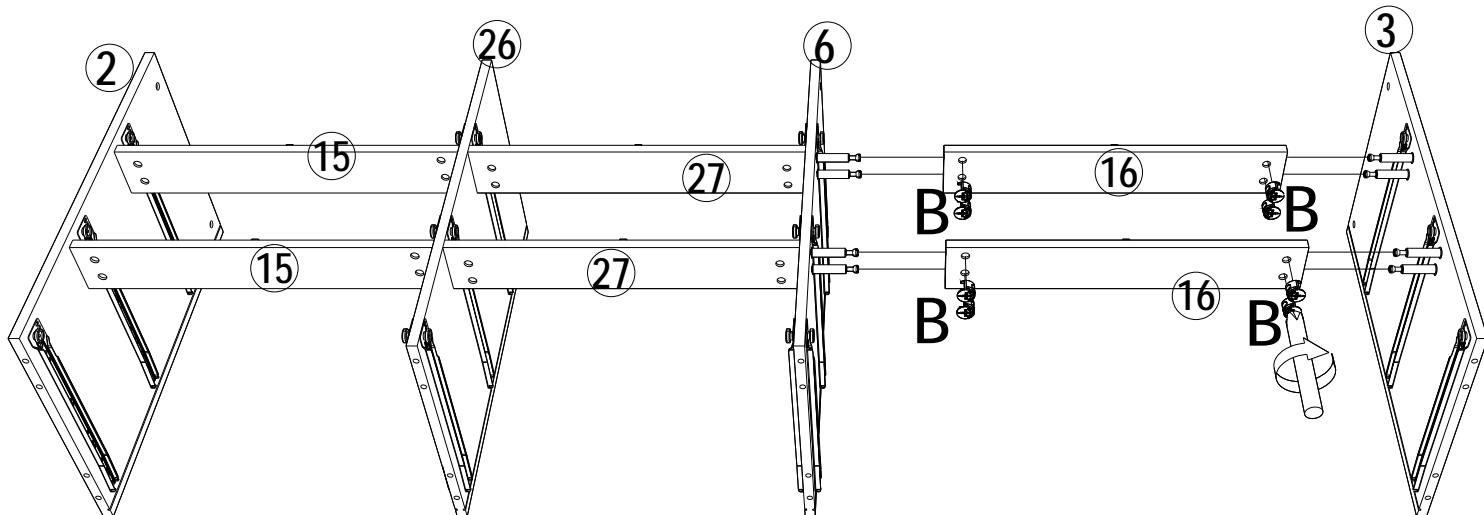
STEP 11



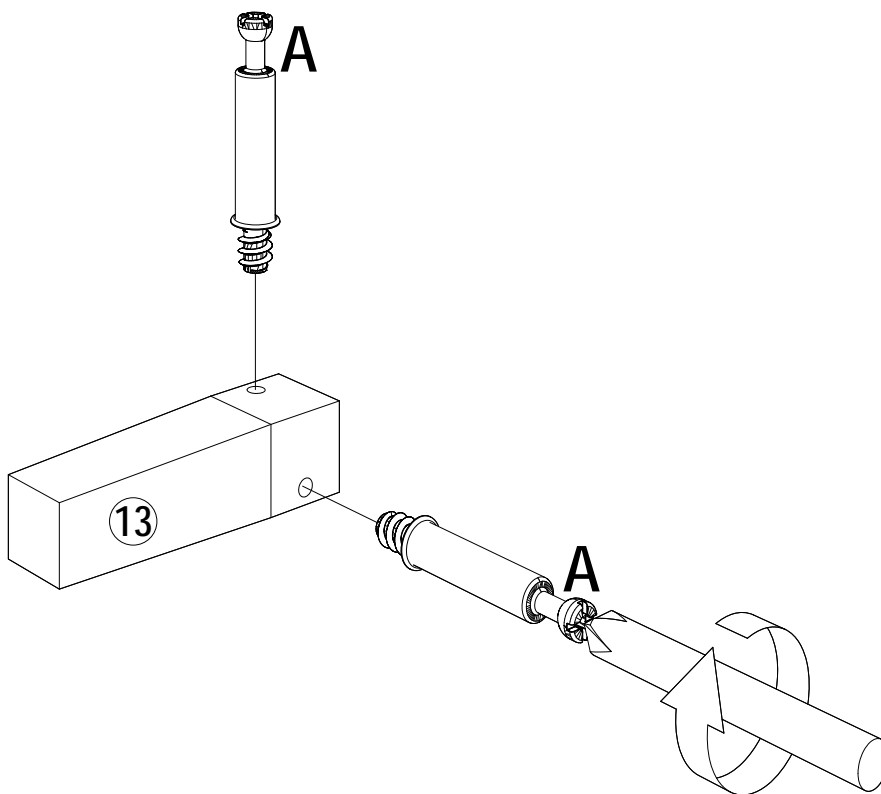
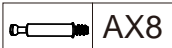
STEP 12



STEP 13



STEP 14

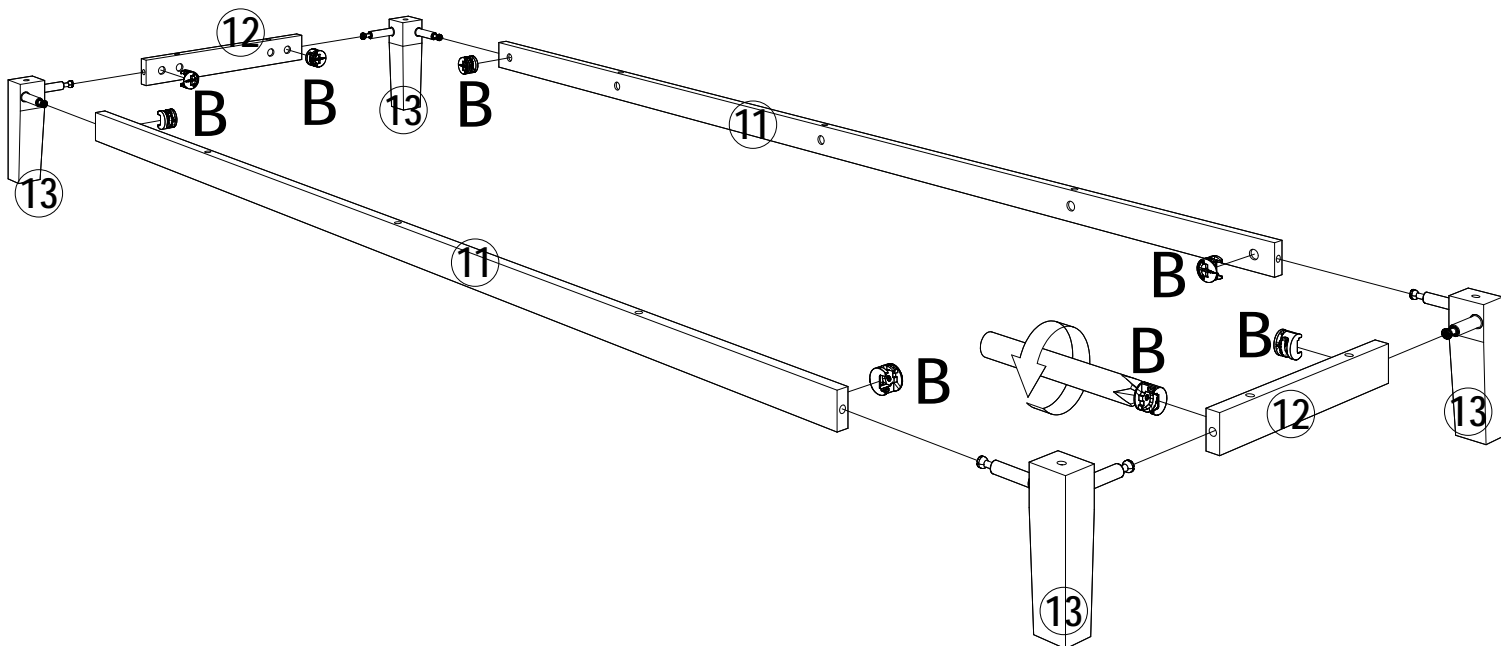


X4

STEP 15



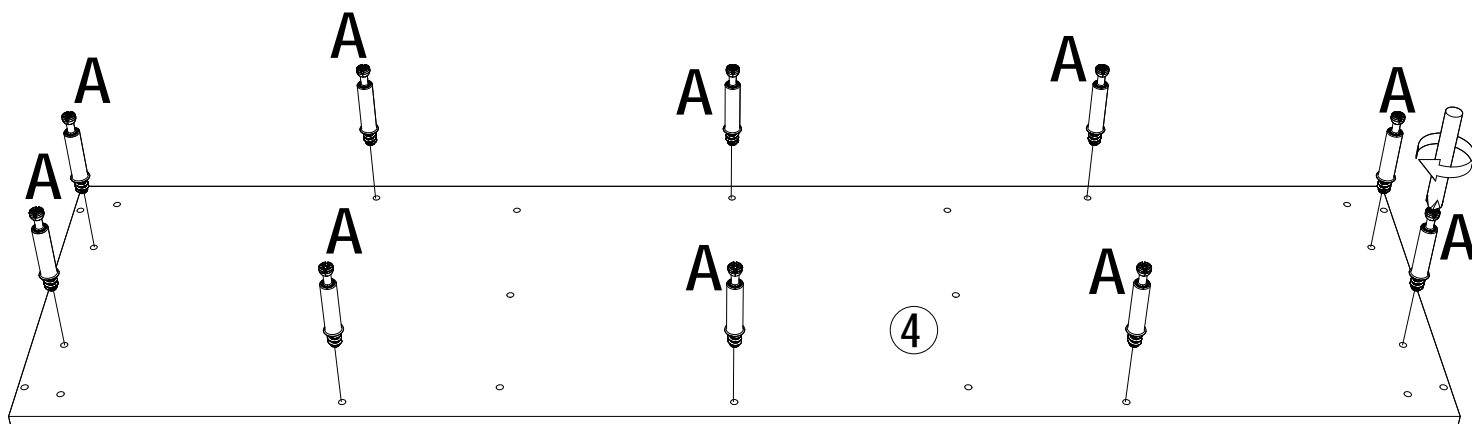
BX8



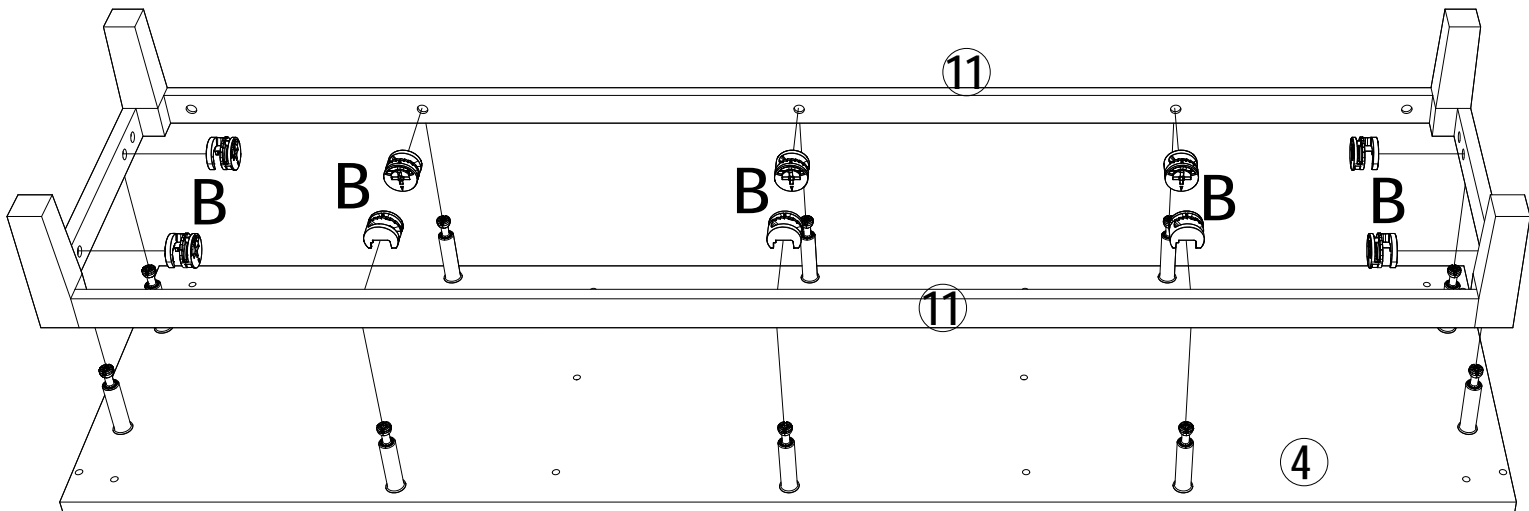
STEP 16



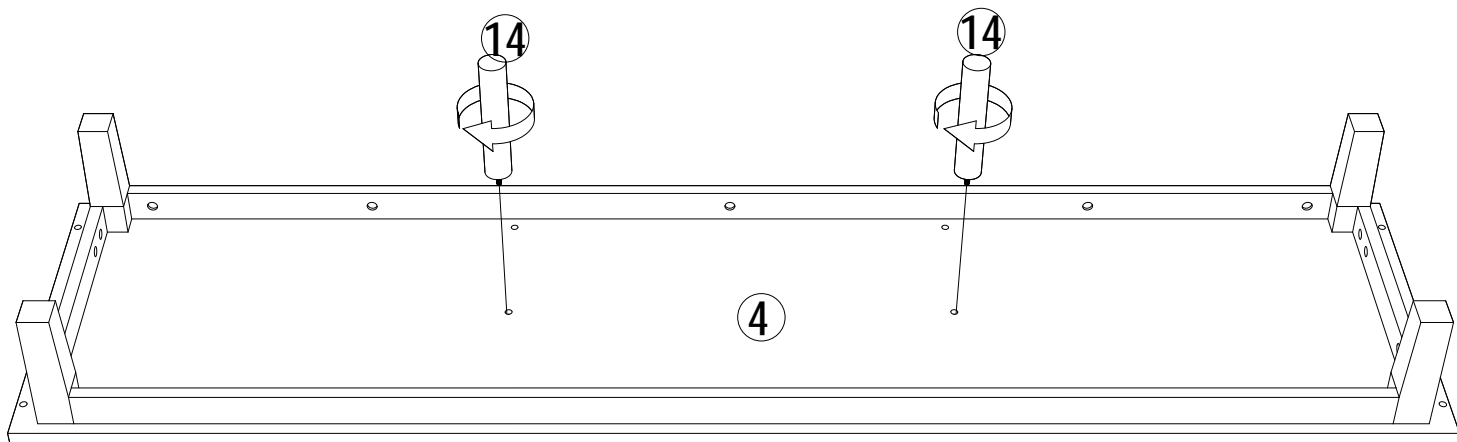
AX10



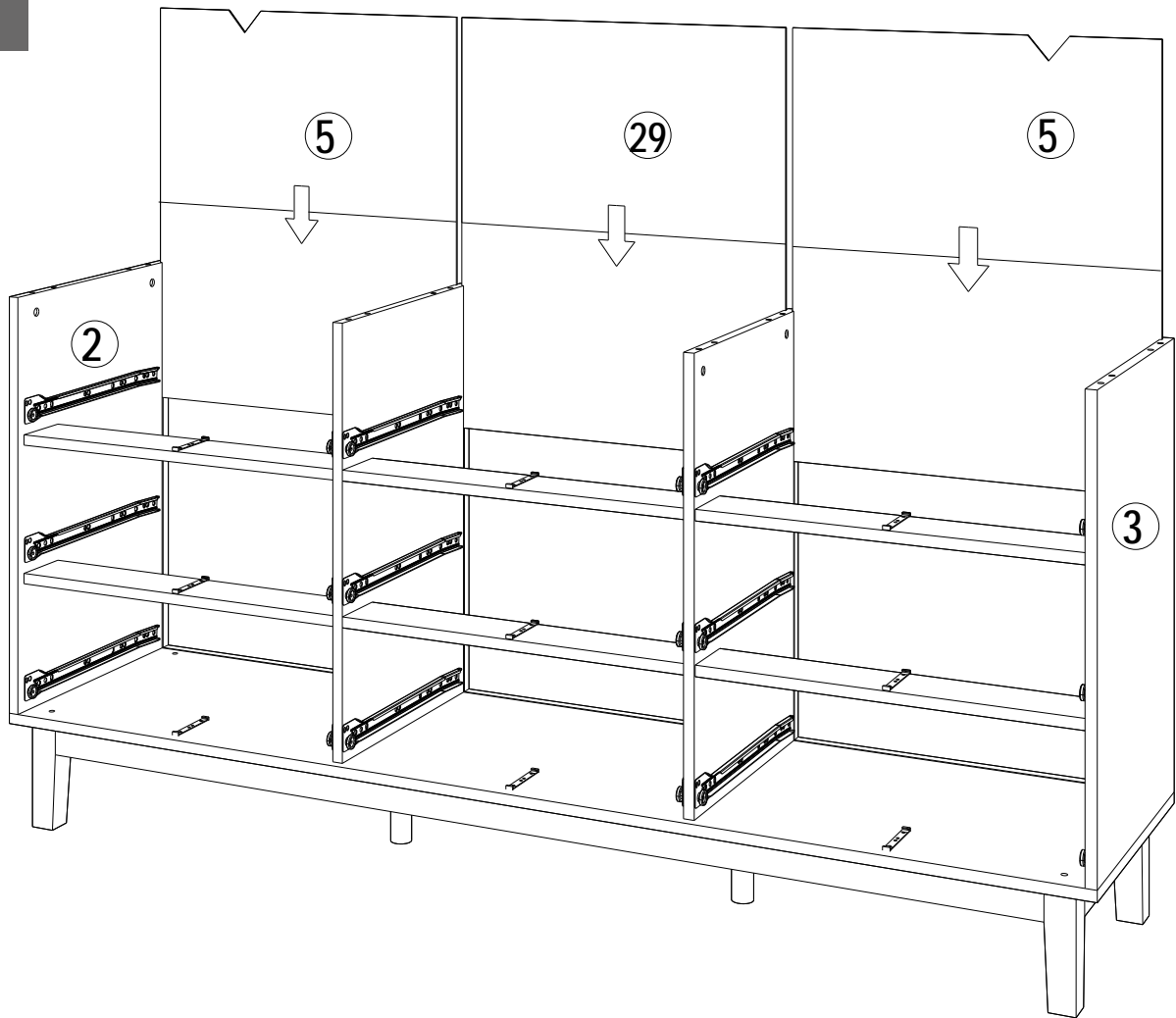
STEP 17



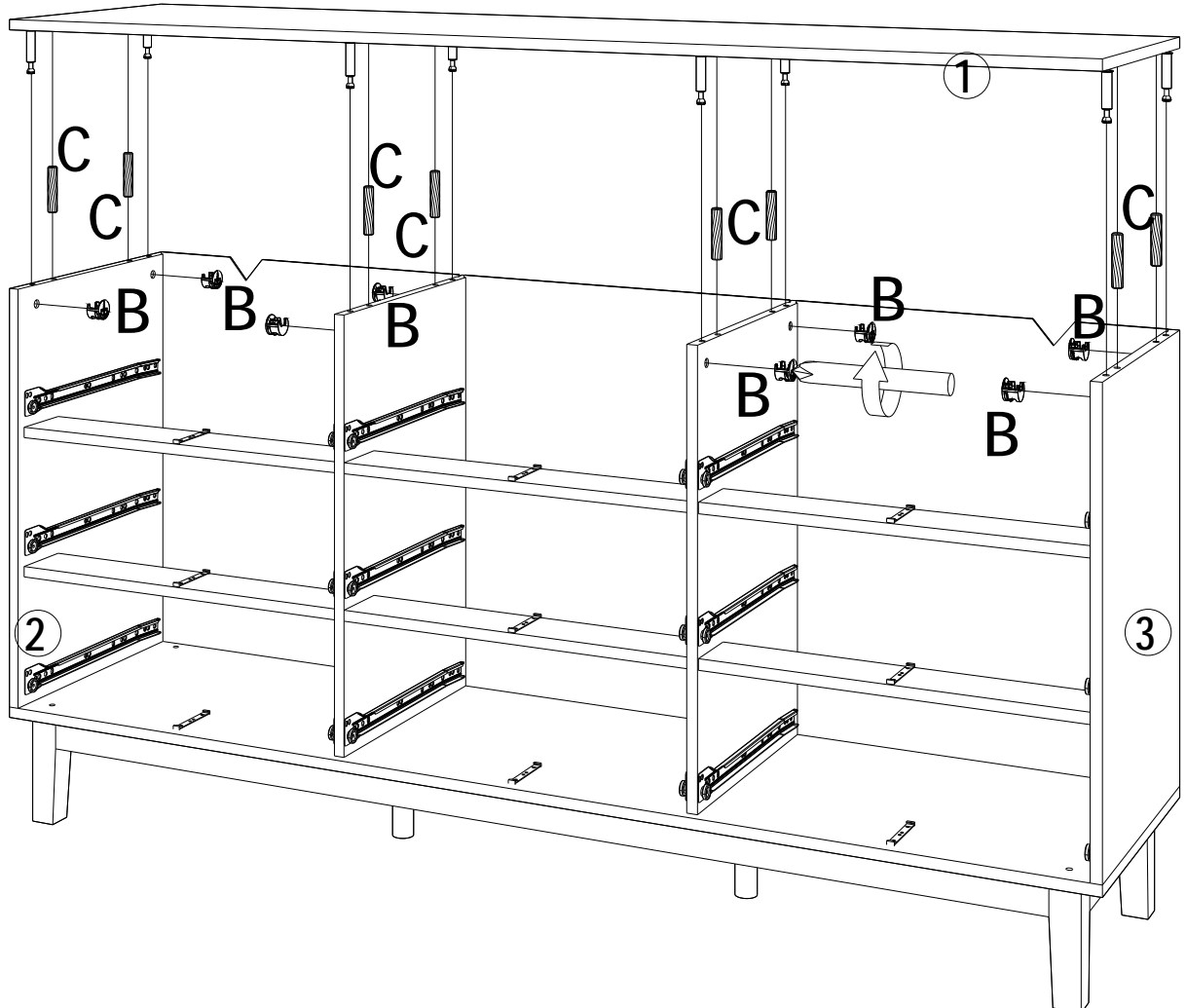
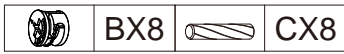
STEP 18



STEP 21



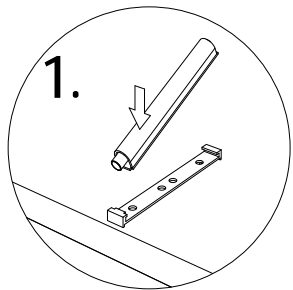
STEP 22



STEP 23



JX6



1.

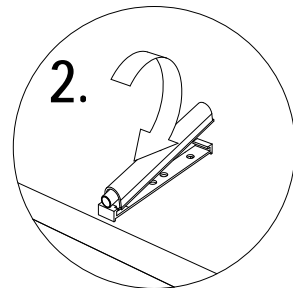


To ensure a smooth installation for the PUSH OPEN ,Please follow below steps

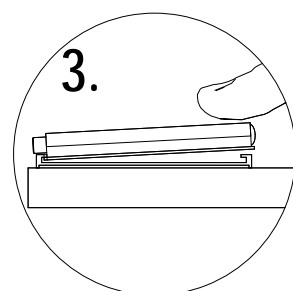
STEP 1: Make sure this direction is correct !

STEP 2: Insert the head part in !

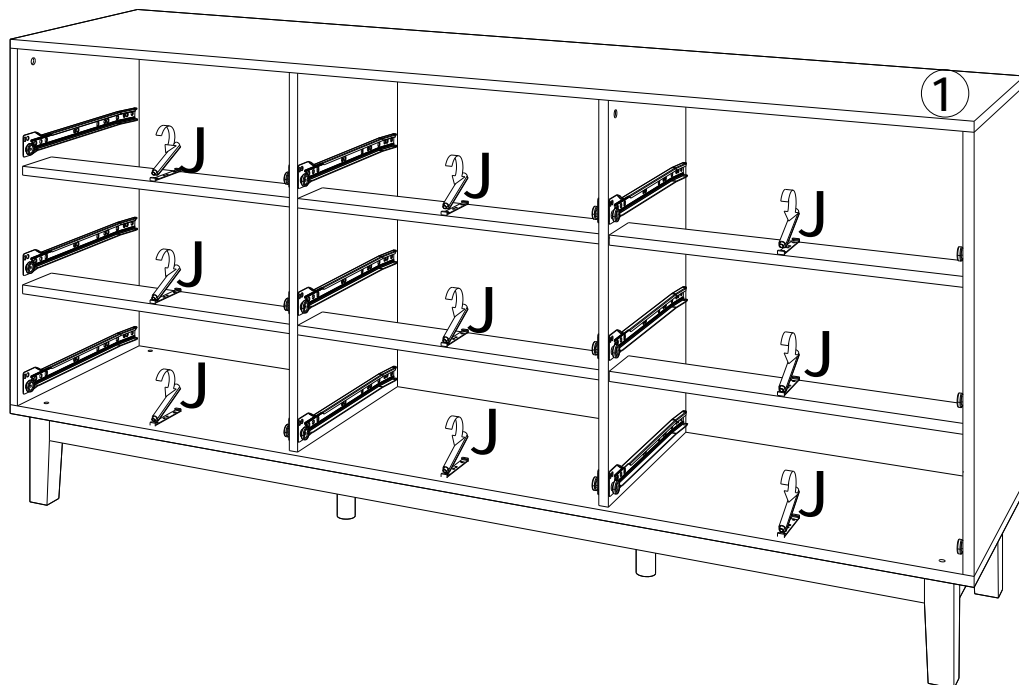
STEP 3: Press in the tail part !



2.



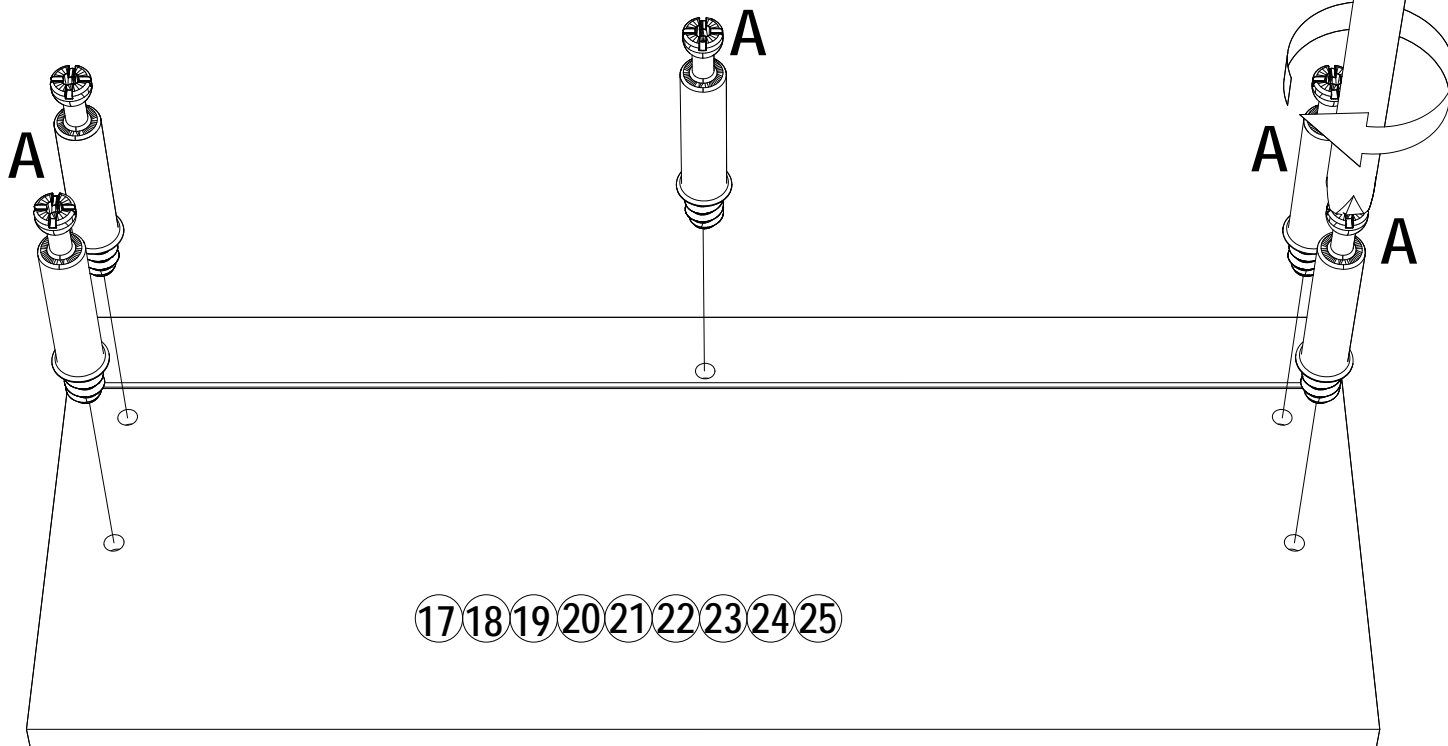
3.



STEP 24



AX45



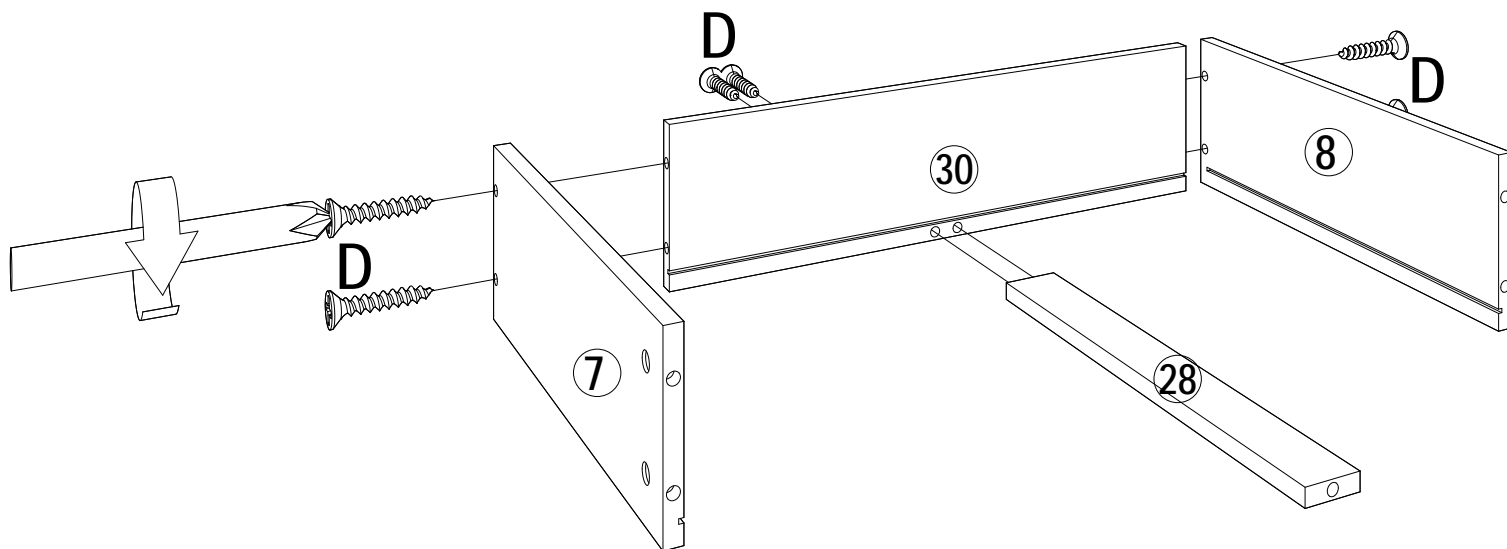
17 18 19 20 21 22 23 24 25

X9

STEP 25

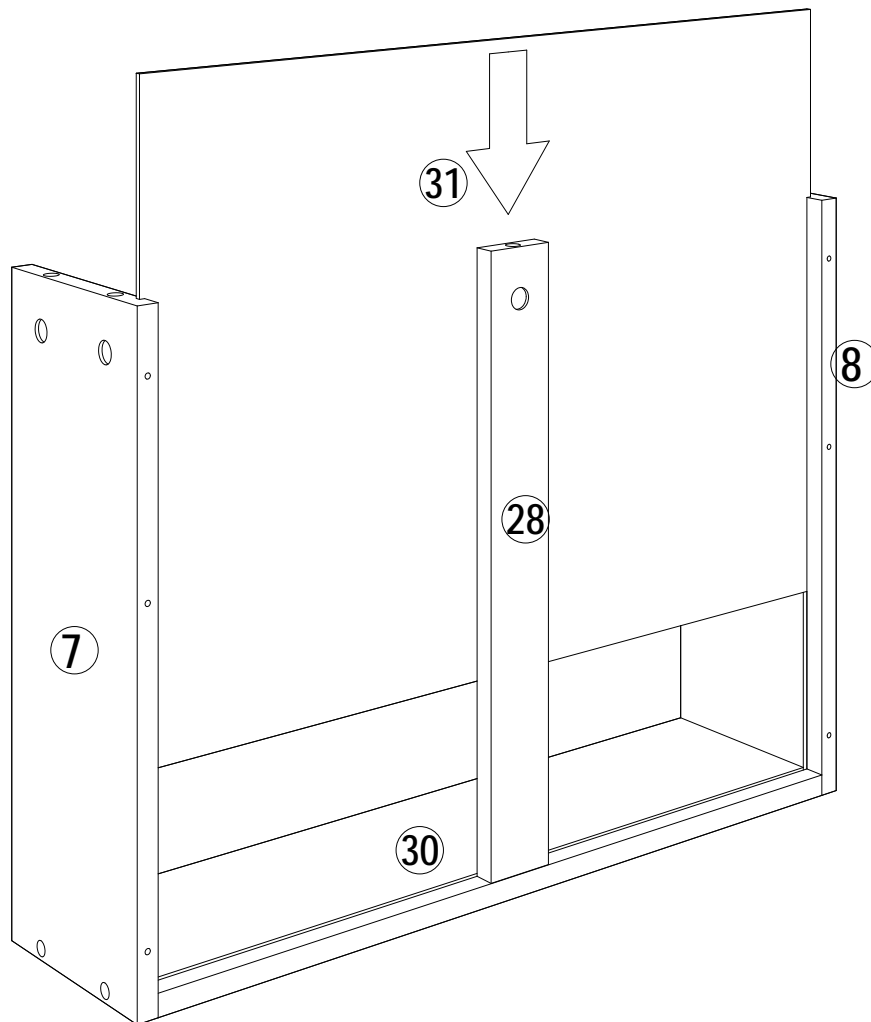
 DX18

! Pay attention please, these 3 drawers's back panels (panel number 30) and bottom panels (panel number 31) SIZE are different with other 6 drawers! Thanks!



X3

STEP 26

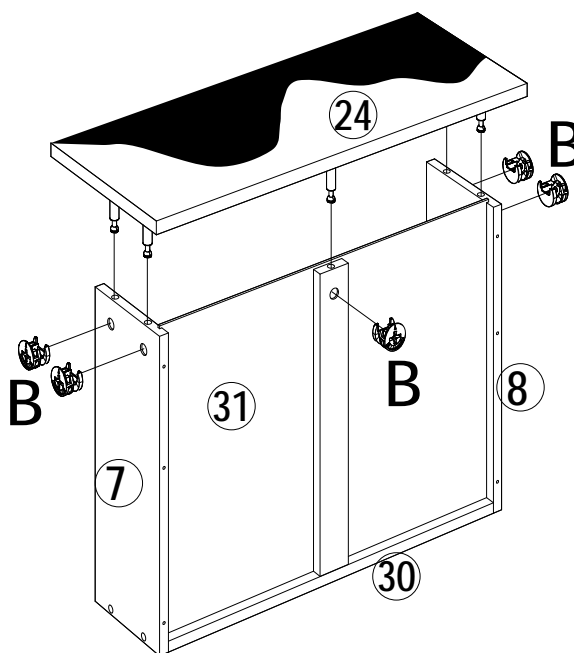
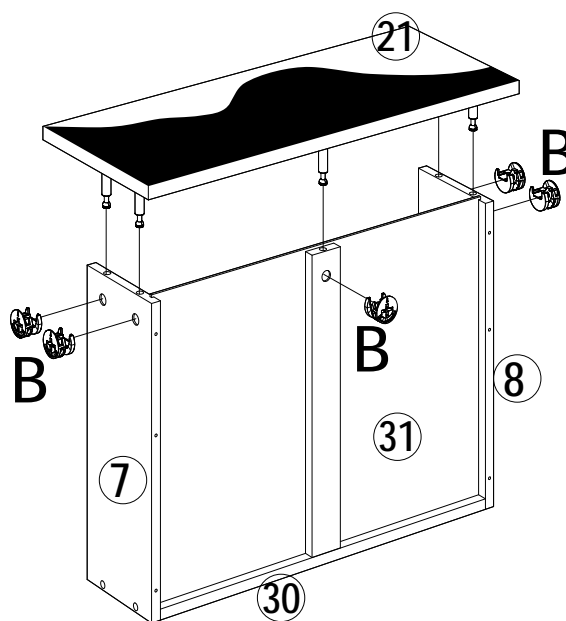
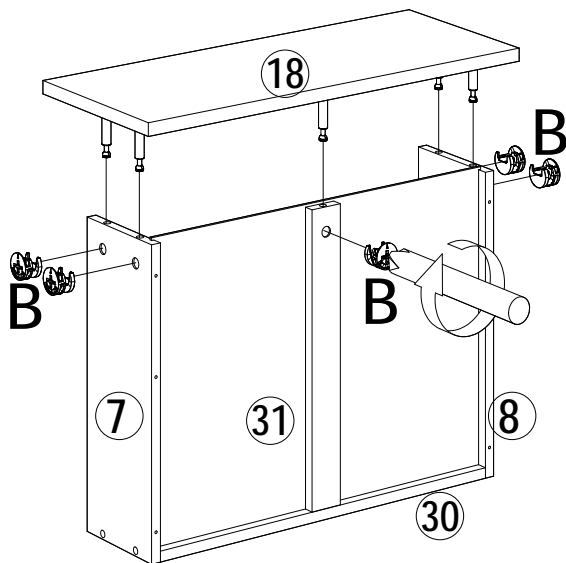


X3

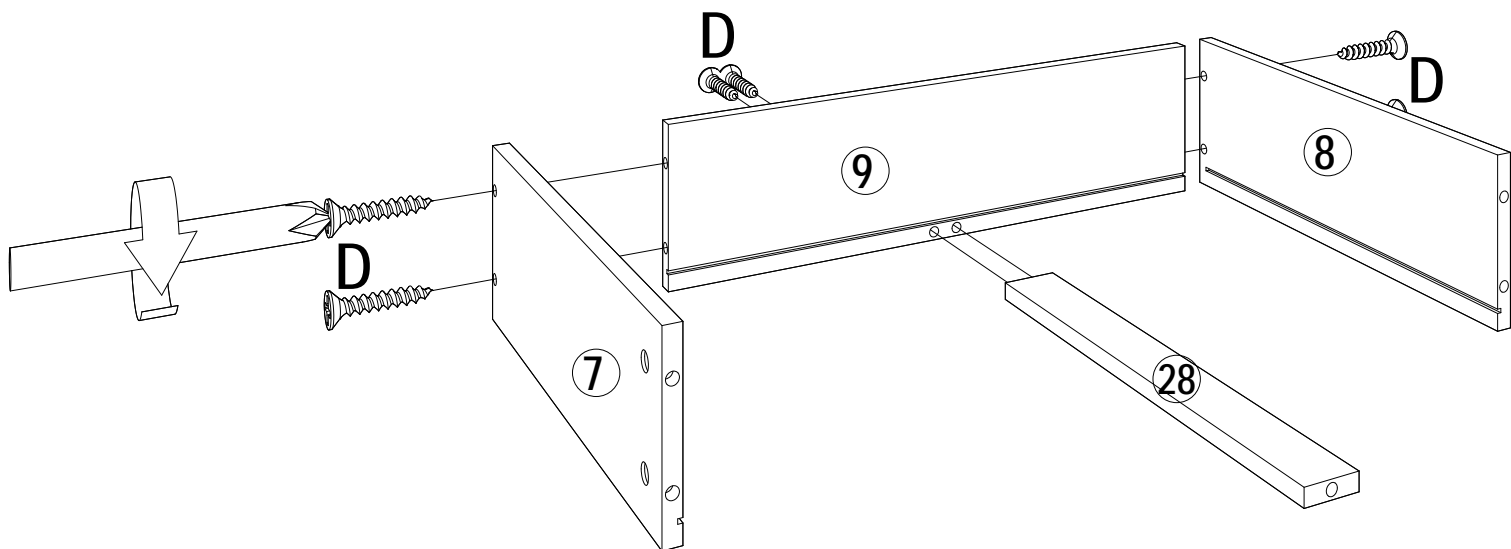
STEP 27



BX15

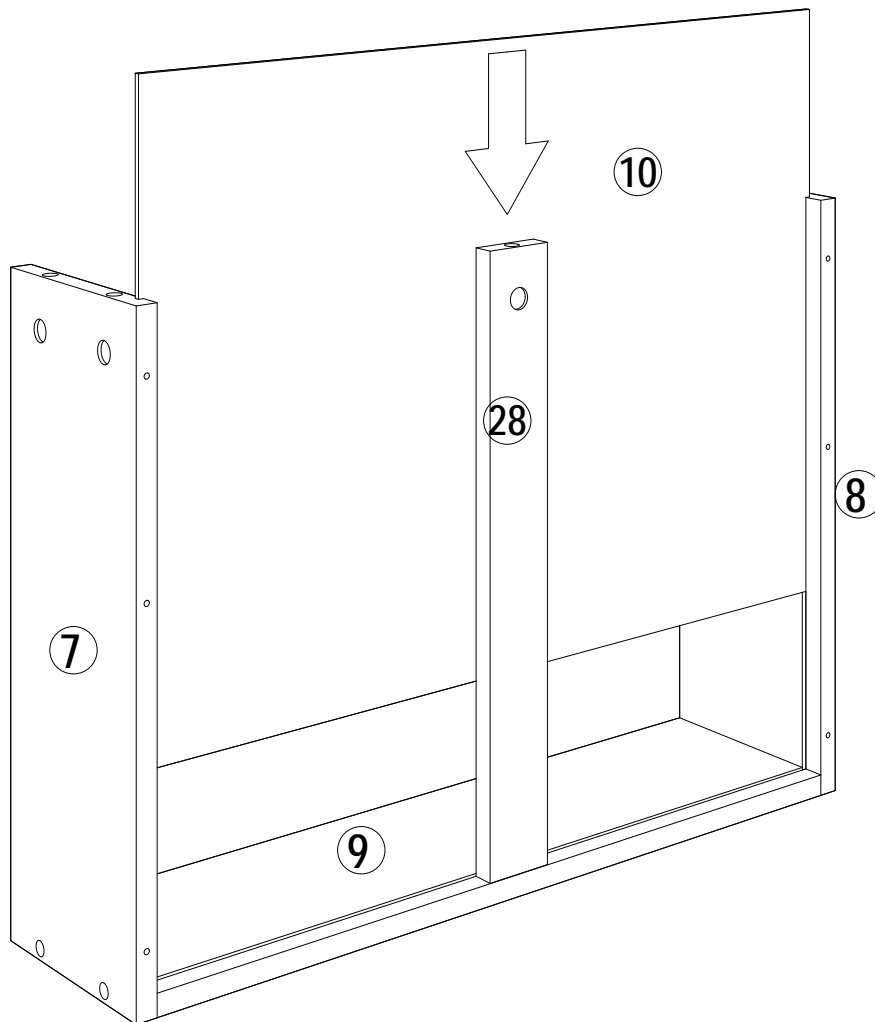


STEP 28

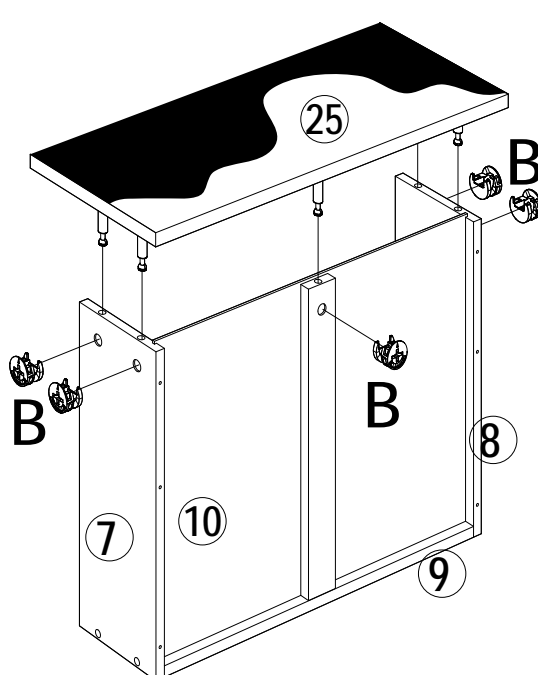
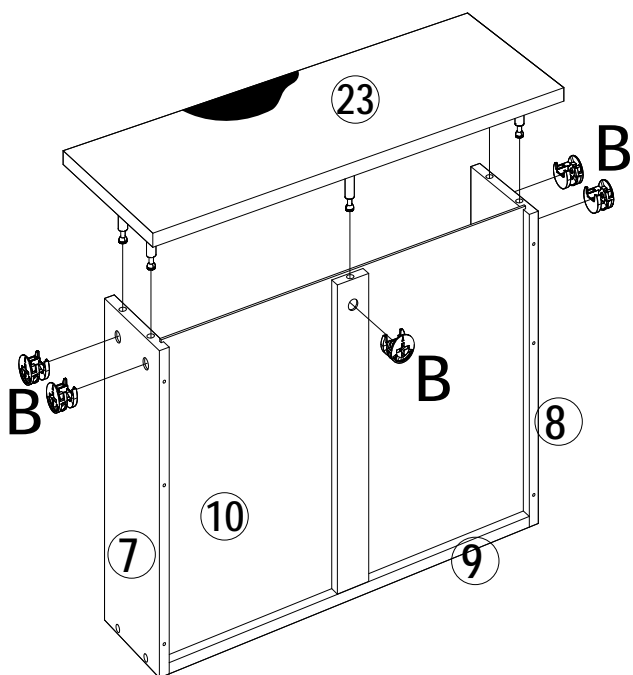
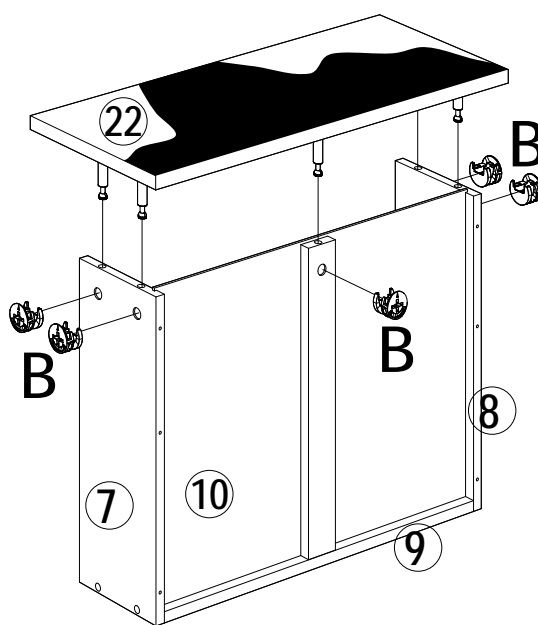
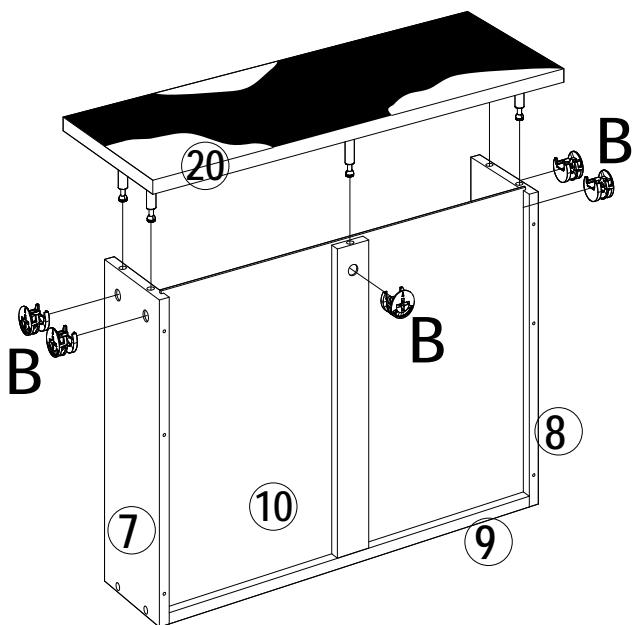
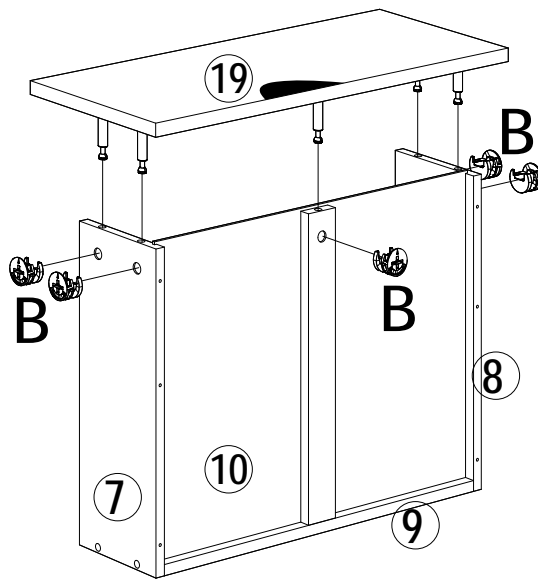
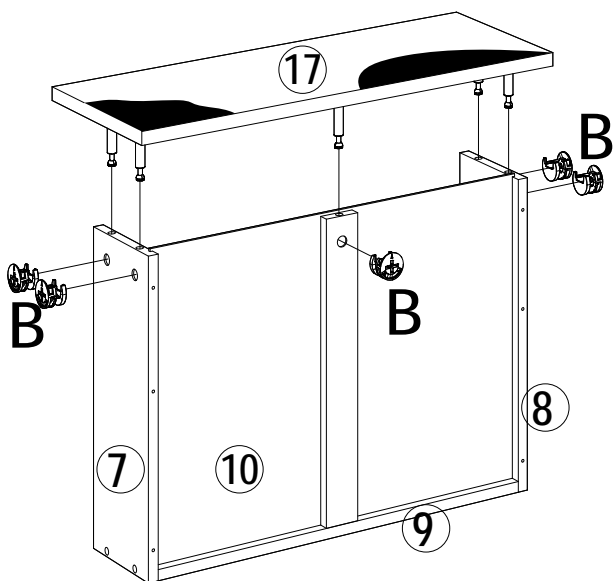


X6

STEP 29



X6



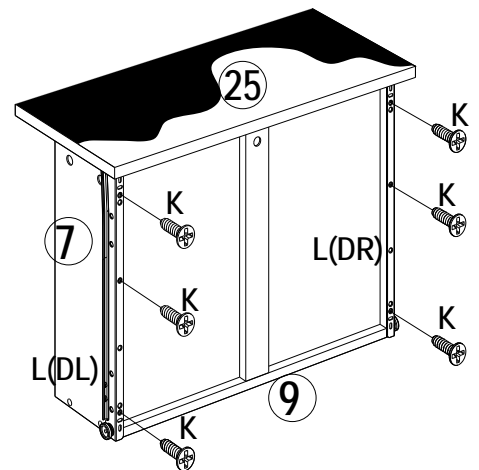
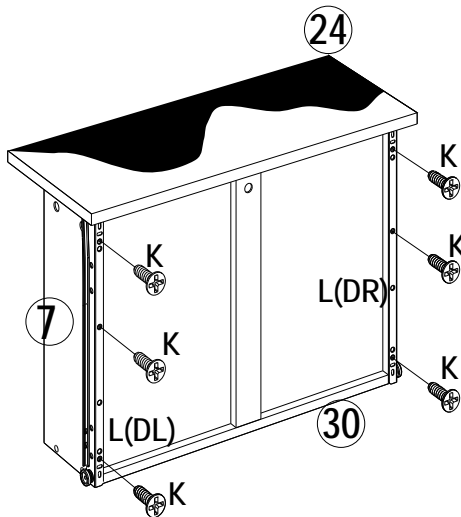
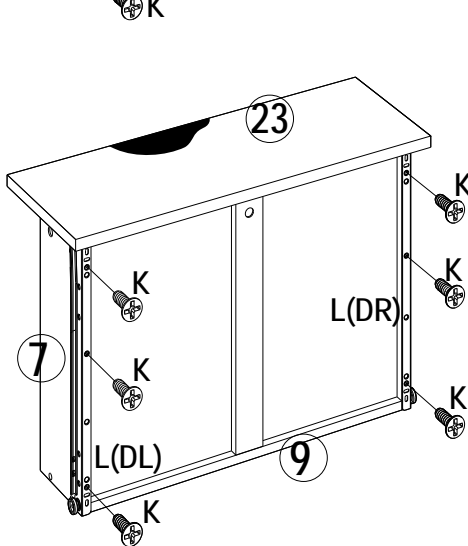
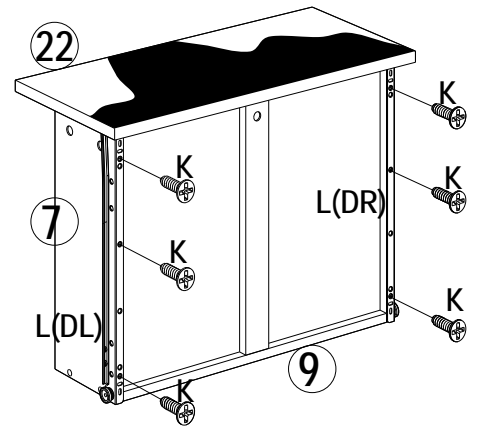
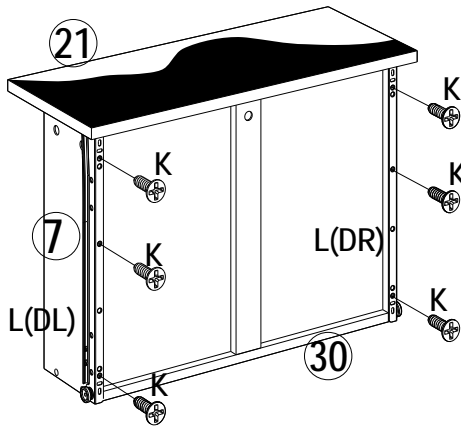
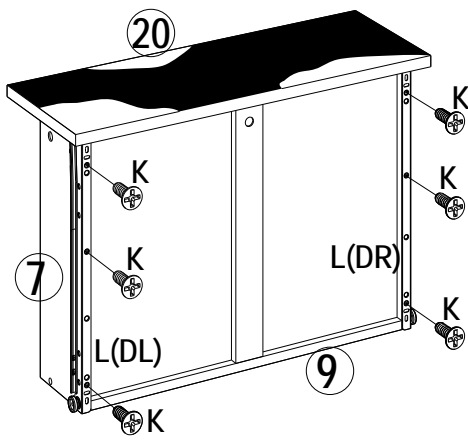
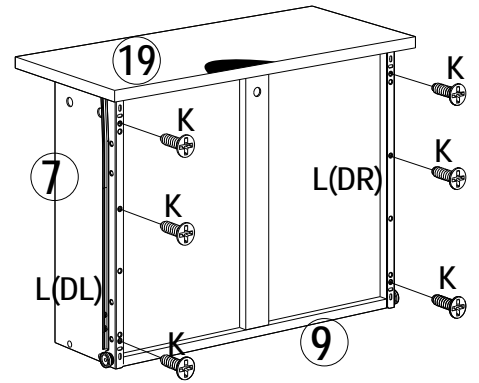
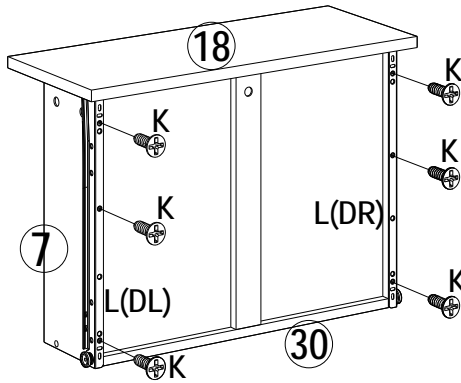
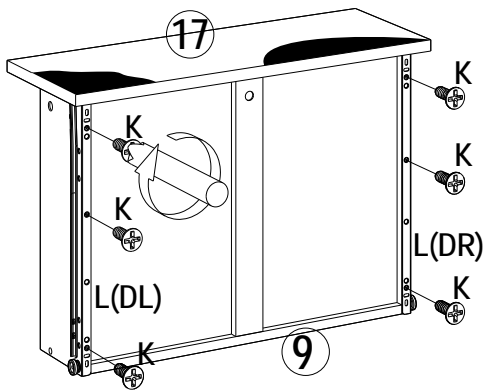
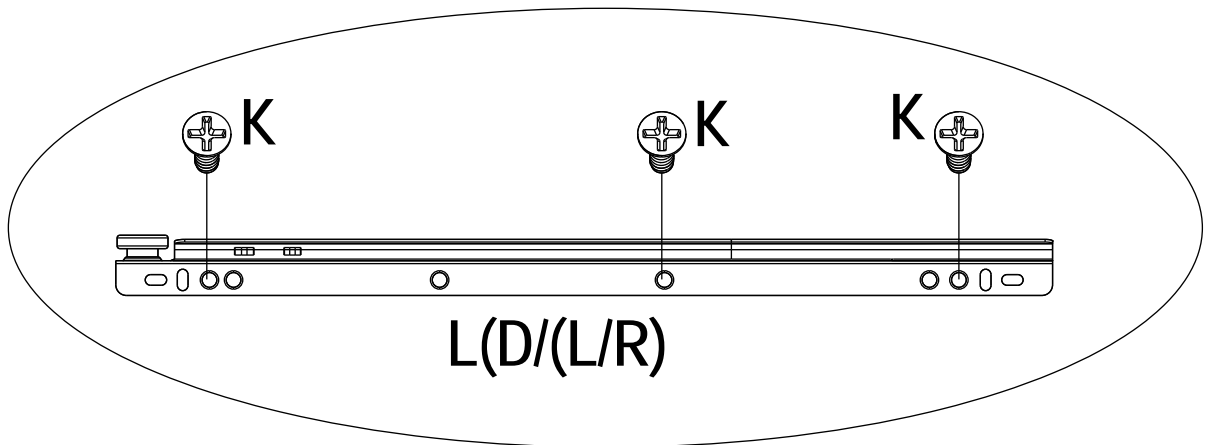
STEP 31



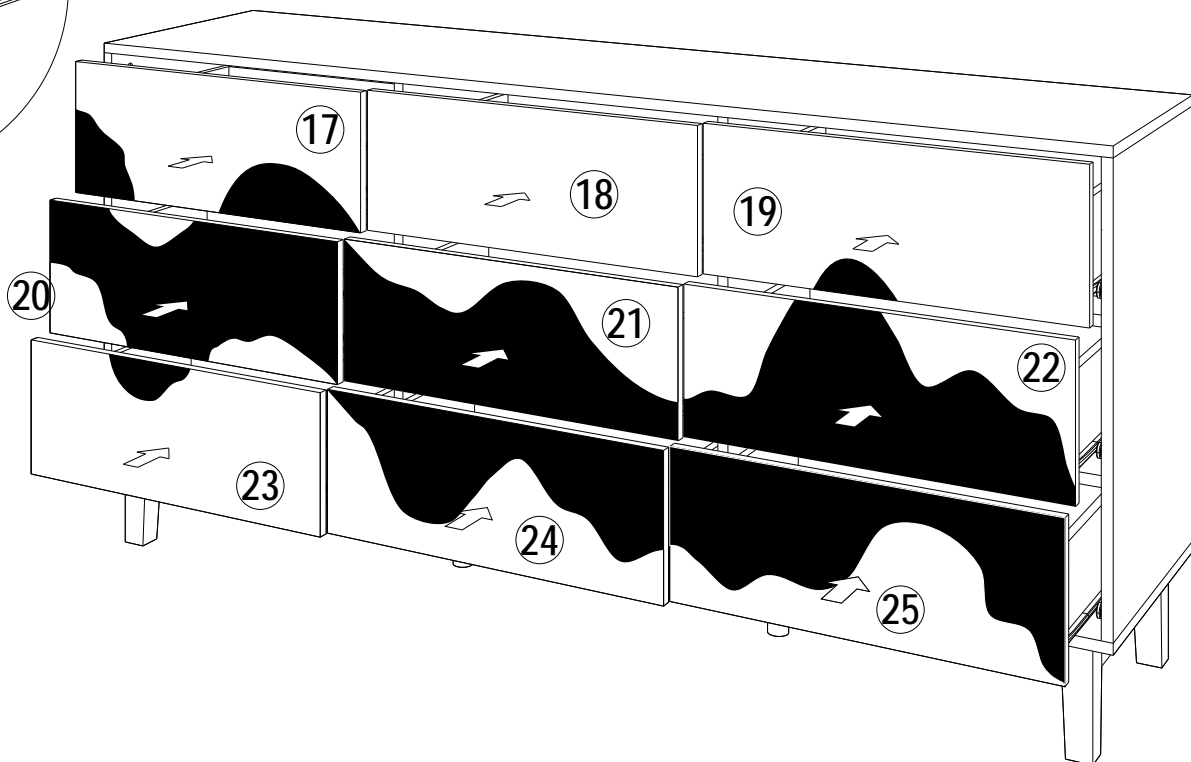
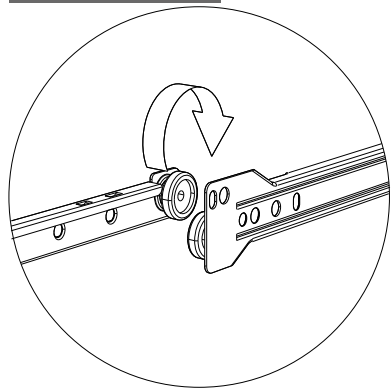
LX9



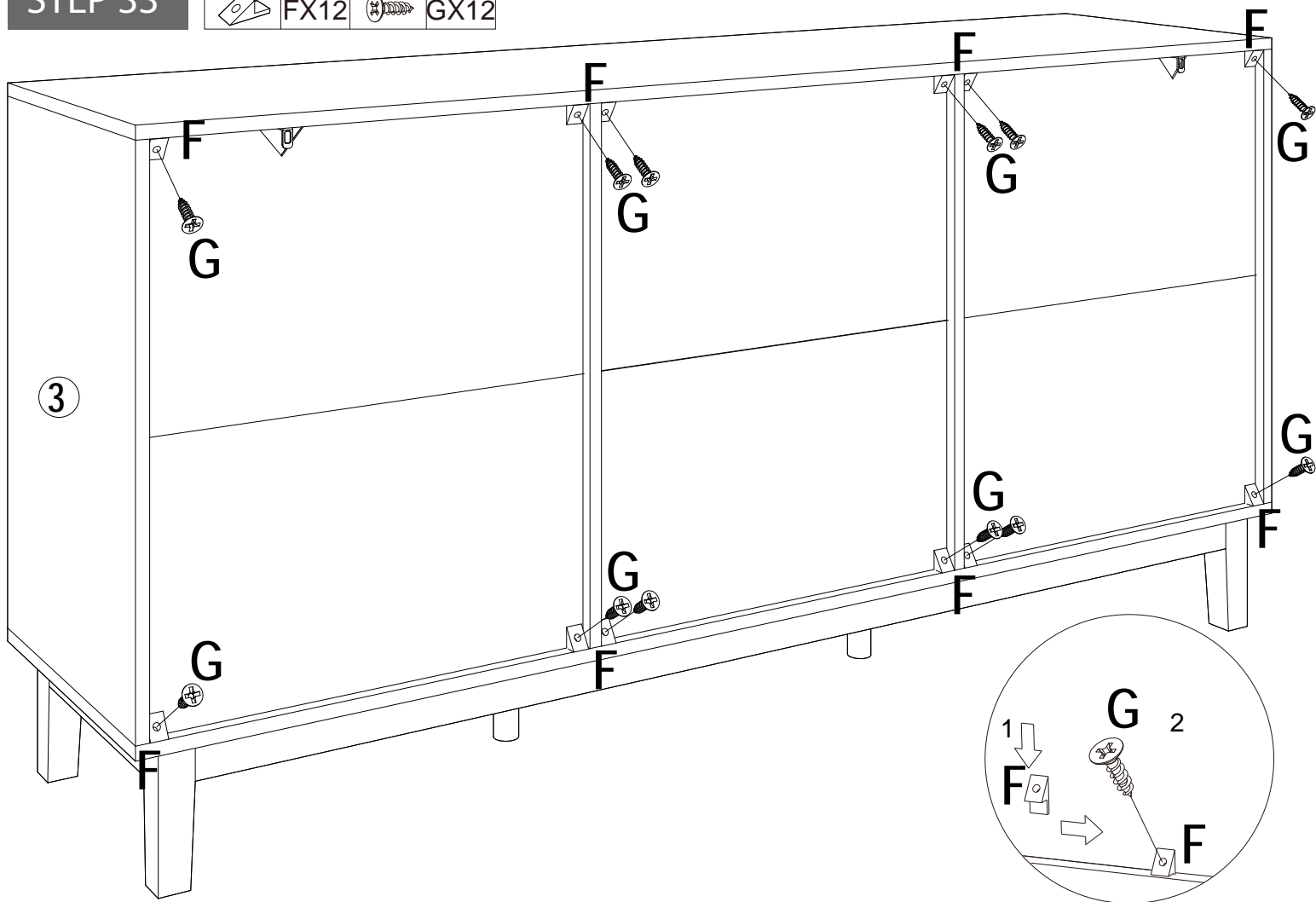
KX54



STEP 32



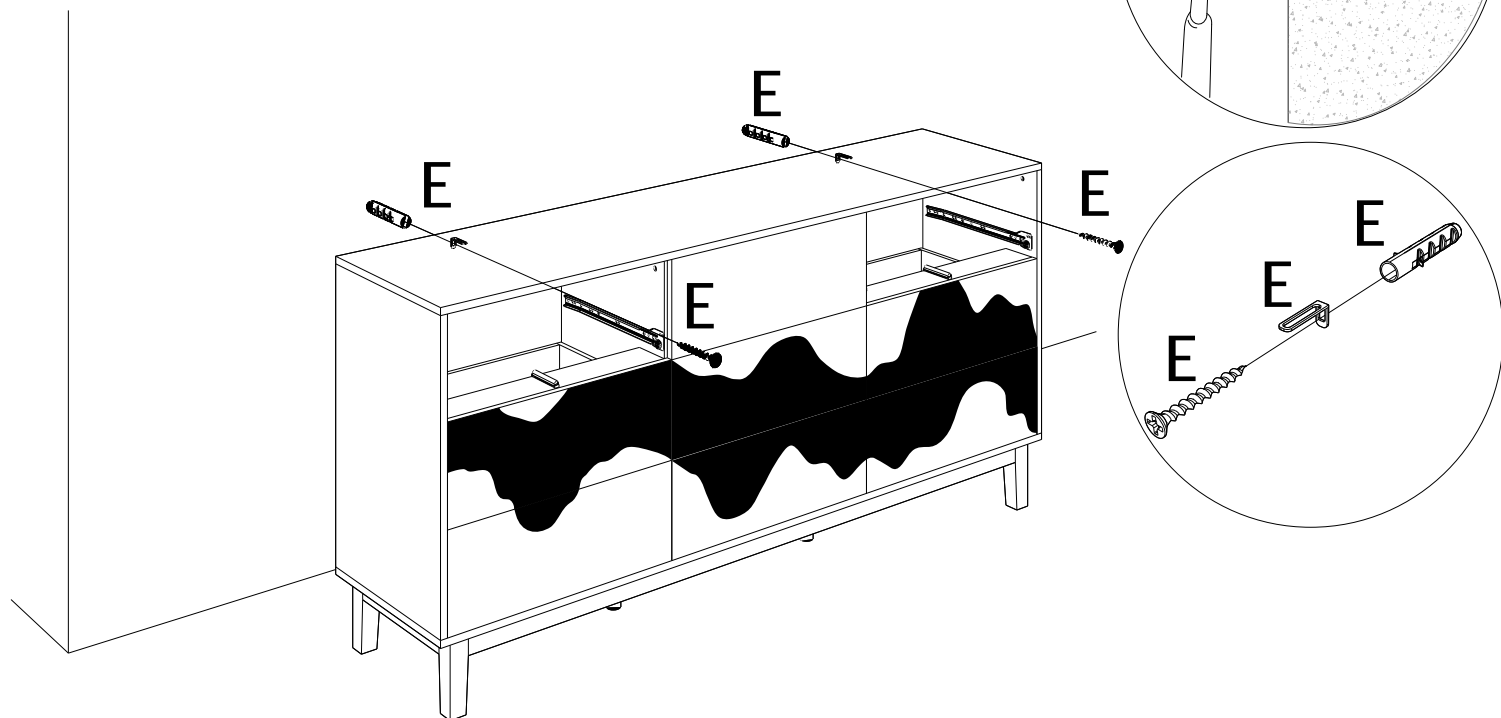
STEP 33



STEP 34



WALL



STEP 35



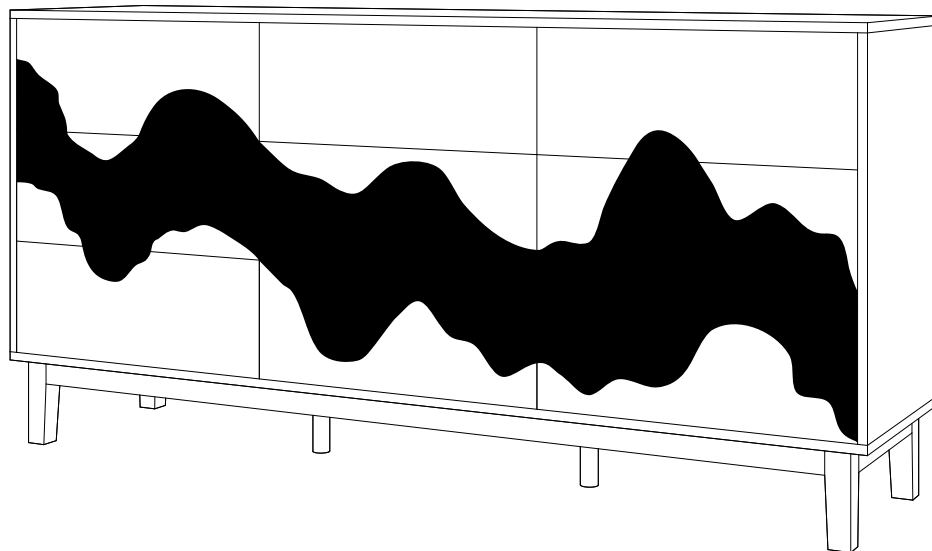
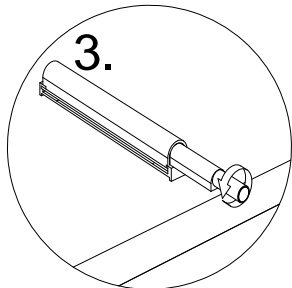
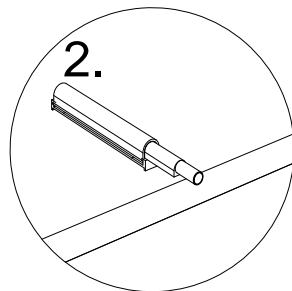
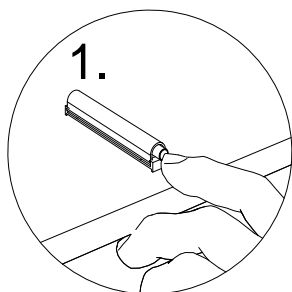
Please adjust the PUSH OPEN as below steps .IF your drawer can not open when you push the drawer

STEP 1: Press the head part then it will be pop up .

STEP 2: Turn the head part anticlockwise .

STEP 3: Try a few times to get a better Push Open using

STEP 4:It is better to push the point around the PUSH OPEN



CAUTION: Always Lift Your Furniture When Moving /Relocating - Do Not Drag. Dragging Can Cause The Legs To Bend/Break.

Thank you very much for purchasing from us.

We have always been trying to provide the best service and reliable products for every customer.

However, accident may happen sometimes, please contact us to resolve any issue before leaving a negative feedback.

Many thanks and welcome to our shop again!

Contact number: 323-393-8260

E-mail: AnbuyService@outlook.com