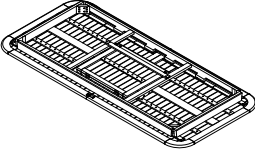



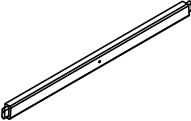










Hello! Please read these important attentions...

Please put a thick carpet on the ground to protect the furniture finish and corners. During the installation process, **DON' T** fasten screws tight 100% at a time.

ASSEMBLY INSTRUCTIONS

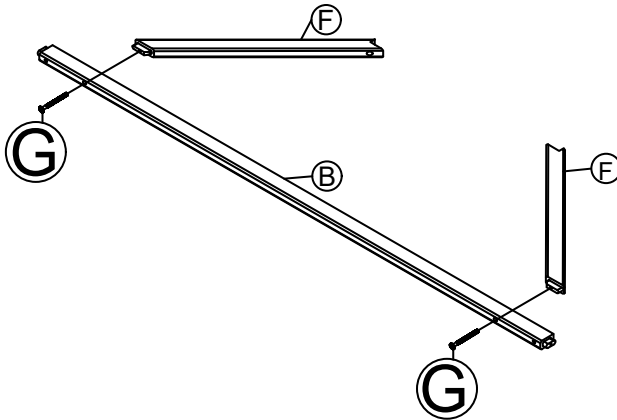
NUMBER	COMPONENT	QUANTITY
A	 <p>TABLE TOP</p>	1PC
B	 <p>CONNECTING VERTICAL BAR</p>	1PC
C	 <p>RIGHT LEG</p>	2PCS
D	 <p>LEFT LEG</p>	2PCS
E	 <p>CONNECTING HORIZONTAL BAR</p>	2PCS
F	 <p>STRUCT</p>	2PCS
G	 <p>SCREW M6X70 MM</p>	6PCS

ASSEMBLY INSTRUCTIONS

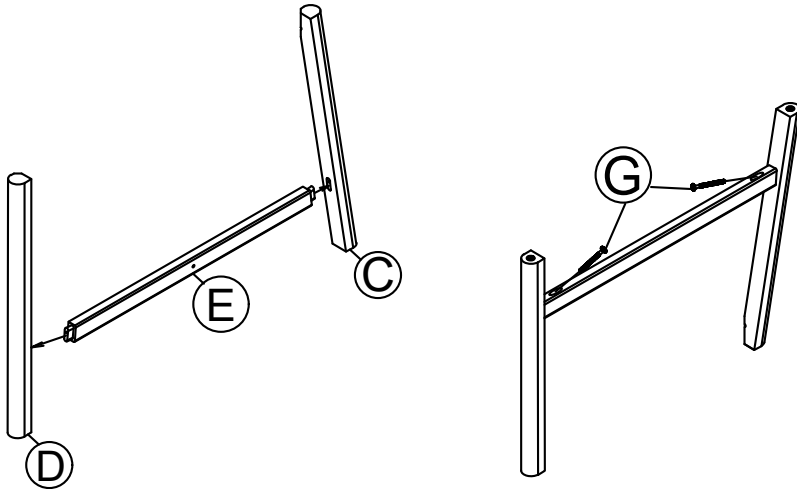
NUMBER	COMPONENT	QUANTITY
H	 SCREW M6X35 MM	2PCS
I	 BOLT M6X70 MM	3PCS
J	 BOND 6X15 MM	2PCS
K	 BOLT M8X90 MM	8PCS
L	 WASHER 8X20X2 MM	8PCS
M	 M4	2PCS

ASSEMBLY INSTRUCTIONS

1



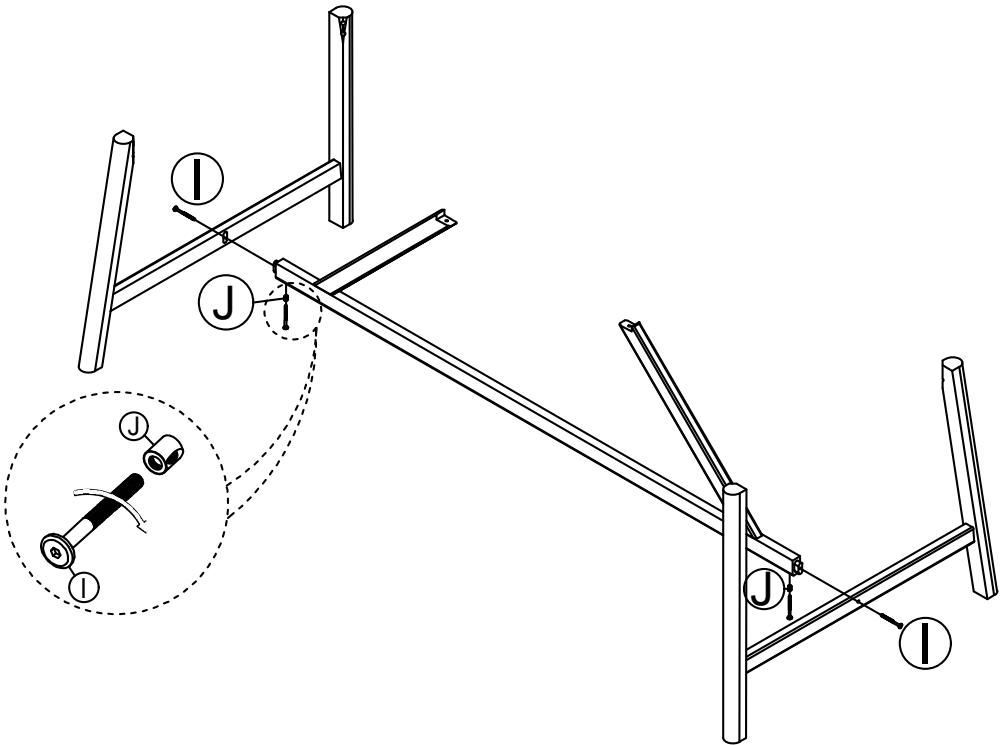
Use the Allen M4 (M) and the Screws M6X70MM (G) to connect the Connecting Vertical Bar (B) to the Struts (F)



Use the Allen M4 (M) and the Screws M6X70MM (G) to connect the Connecting Horizontal Bar (E) to the Right and Left Legs.

ASSEMBLY INSTRUCTIONS

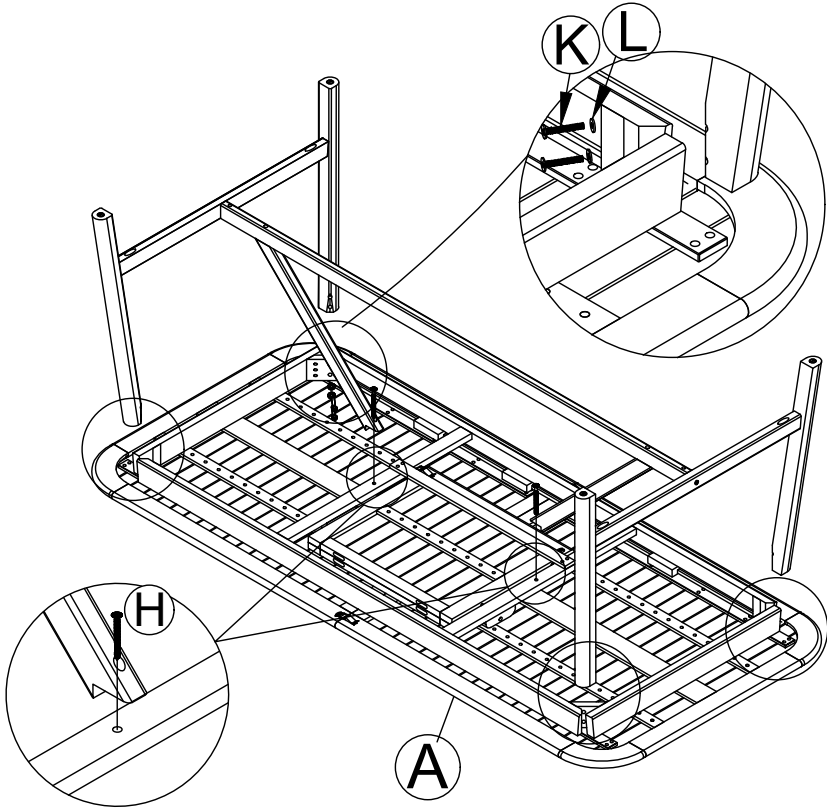
2



Use the Allen M4 (M), the Bolts M6X70MM (I) and the Bond M6X15 MM (J) to connect the Left and Right Cluster to The Connecting Vertical Bar (B).

ASSEMBLY INSTRUCTIONS

3



Use the Allen M4 (M) and the Screws M6X35 MM (H) to connect the Structs to the Table Top (A).

Use the Allen M4 (M) and the Bolts M8X90 MM (K) to connect the Right and Left Cluster to the Table Top (A)

ASSEMBLY INSTRUCTIONS

4

