

Assembly



Instructions







The installation steps for both chairs are the same, and the following is an example of installing one of the chair

Please install the products on carpet or soft place.

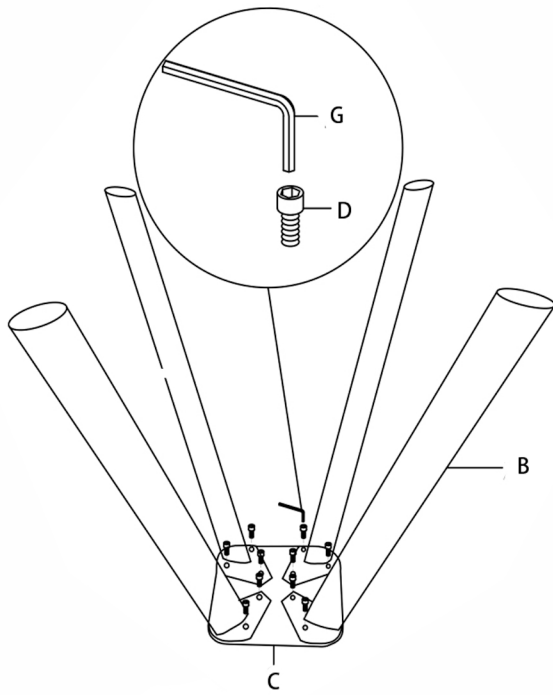
Parts List

No.	Sketch	Description	Qty
A		Backrest	1
B		Legs	4
C		Lron Pieces	1

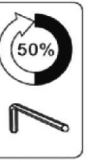
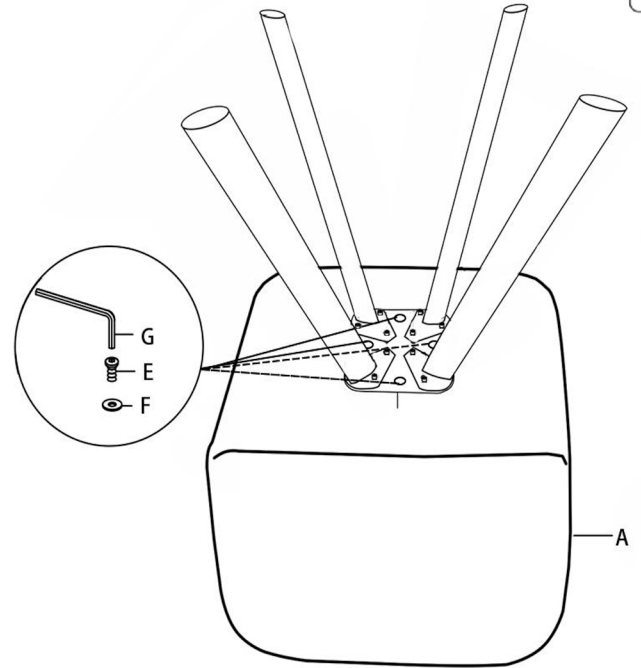
Hardware List

No.	Sketch	Description	Qty
D	 M6X8	Screw	12
E	 M6X16	Screw	4
F	 M6X18	Gasket	4
G	 M5	Allen Key	1

STEP 1



STEP 2



STEP 3

