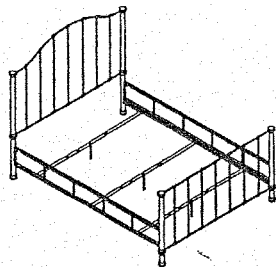


ASSEMBLY INSTRUCTIONS

Item: 59-132/133/134

www.kincaidfurniture.com

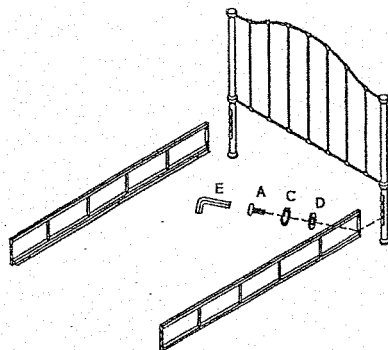
Phone : 828-728-3261



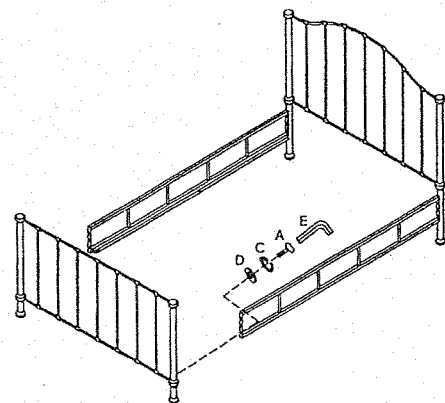
59-132/133/134

IMPORTANT NOTES :

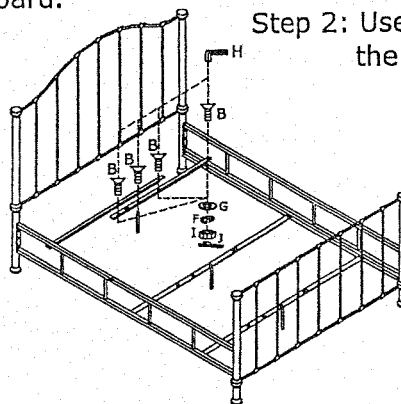
- . Place all parts on the clean and smooth surface such as a rug or carpet to prevent the parts from being scratched.
- . Check to be sure that you have all parts and hardware.
- . Remove all wrapping materials, including staples and packing straps before you start to assemble.
- . Do not tighten all screws and bolts until completely assembled.
- . Keep all hardware out of the reach of children.



Step 1: Use 6pcs each of A,C,D. to connect the 2 side rails and the headboard.



Step 2: Use 6pcs each of A,C,D. to connect the 2 side rails and the footboard.



Step 3: Use 6pcs each of B,G,F,I to connect the 6 stretcher rails.

Step 4: Use 6pcs each of B,G,F,I to connect the side rails and the stretcher rails.

Step 5: Use 3pcs of bolt B to screw the poles and the stretcher rails together.

Step 6: Tighten all of the screws firmly.

HARDWARE LIST

ITEM	DRAWING	DESCRIPTION	Q' TY
A		Bolt (Ø5/16"*7/8"L)	12 PCS
B		Bolt (Ø1/4"*5/8"L)	15 PCS
C		Spring Washer (Ø5/16")	12 PCS
D		Flat Washer (Ø5/16"*16mm)	12 PCS
F		Allen Wrench(5mm)	1 PC