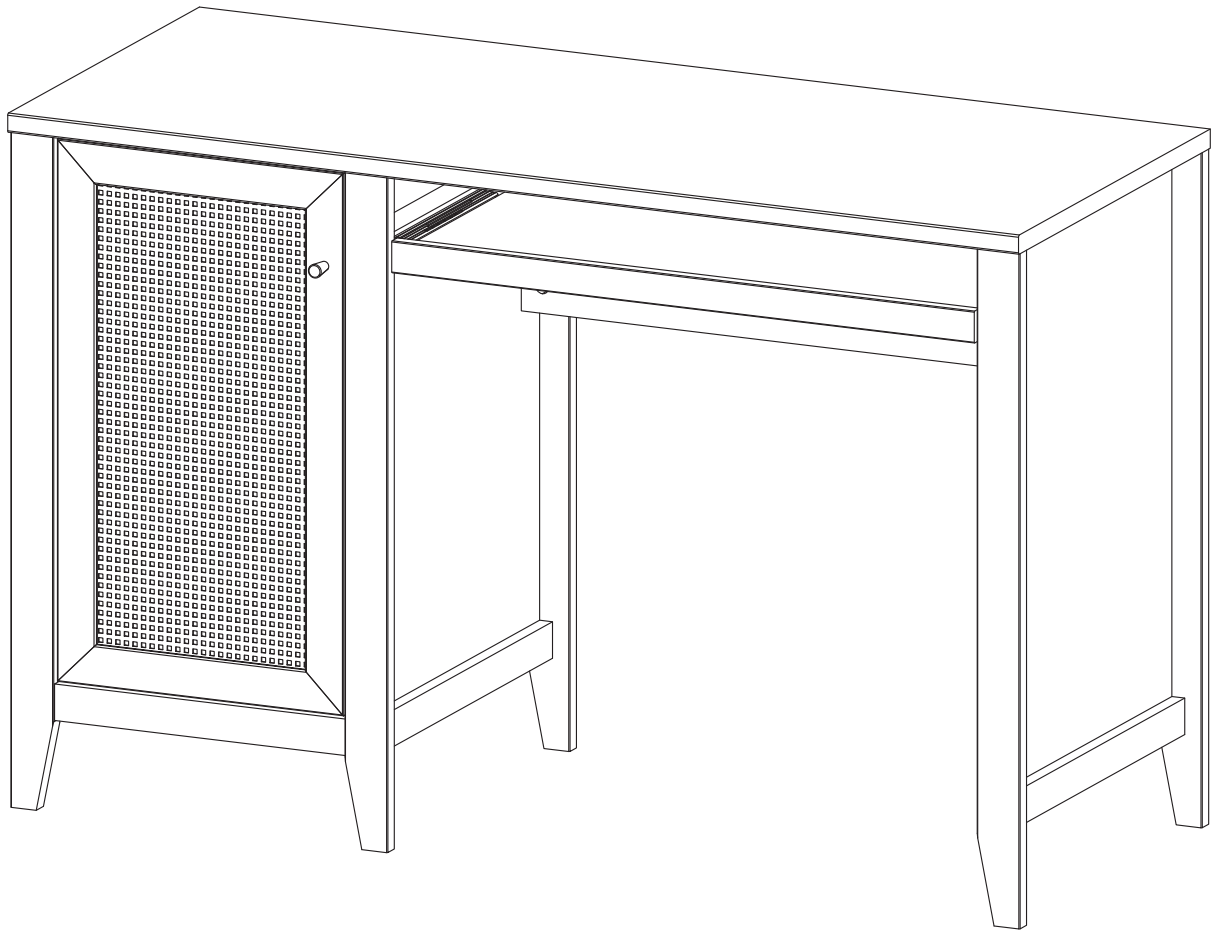


# ASSEMBLY INSTRUCTIONS

# EEI-6116

VO.07.11.22



**Questions? Contact us!**

609.256.9000 • [cs@modway.com](mailto:cs@modway.com)  
[www.modway.com](http://www.modway.com)

\*modway



Read through all of the instructions before starting



Care instructions are listed in the last step of this manual



Approx. 120 minutes assembly time



Make sure you have all parts and components before discarding any packing materials



2 people recommended for assembly

**Only use hand tools to assemble this item.** Do not use power tools. Do not tighten bolts or screws completely until all hardware is lined up and inserted into the holes.

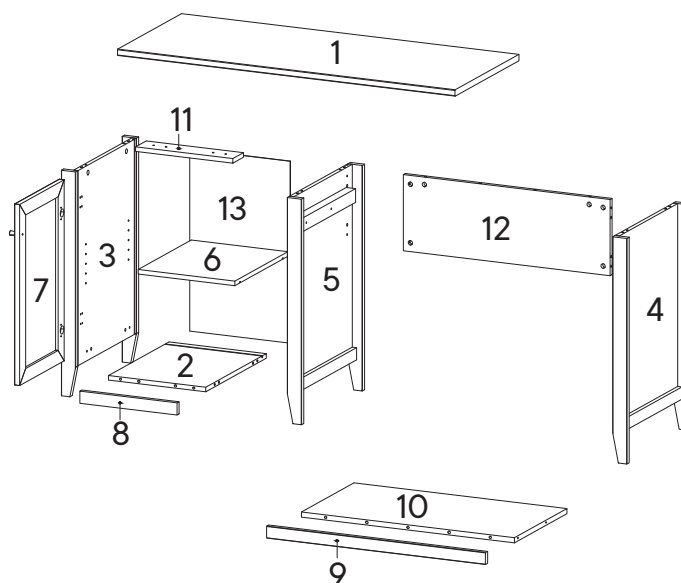
Do not over-tighten screws and bolts to avoid stripping the hardware or cracking the item.

Assemble your item on a flat, carpeted area, with plenty of space to work. This will prevent damage and scratches to your floors or the item while you're assembling the product.

Keep all components and packaging out of reach of children or animals to avoid risk of choking or suffocation.

## Furniture components:

1	Top Board	x1	11	Support Board	x1
2	Bottom Board	x1	12	Back Board 1	x1
3	Side Board Left	x1	13	Back Board 2	x1
4	Side Board Right	x1			
5	Center Board	x1			
6	Adjustable Shelf	x1			
7	Frame Door	x1			
8	Bottom Skirt	x1			
9	Front Skirt	x1			
10	Keyboard Drawer Base	x1			



## Provided hardware:

A		Cam Bolt $\varnothing 6 \times 35$ mm	x21	J		Screw M 3.5 x 15.5 mm	x8
B		Cam Lock $\varnothing 15$ mm	x21	K		Handle	x1
C		Wood Dowel $\varnothing 8 \times 30$ mm	x22	L		Screw M 4 x 25 mm	x1
D		Shelf Pin	x4	M		Screw Cap $\varnothing 15$ mm	x12
E		Screw M 6.4 x 35 mm	x2	N		Floor Protector	x6
F		Allen Key	x2	HS26C		Hinge	x2
G		Screw M 4.5 x 12.5 mm	x12	RB25A		Keyboard Drawer Runner	x1
H		Screw M 6 x 10.5 mm	x8				
I		Wedge	x8				

## What you need:

Phillips Head Screwdriver

Wait!

Missing parts or hardware? Need assistance?  
Contact us before returning your item. We're here to help!  
609.256.9000 • cs@modway.com

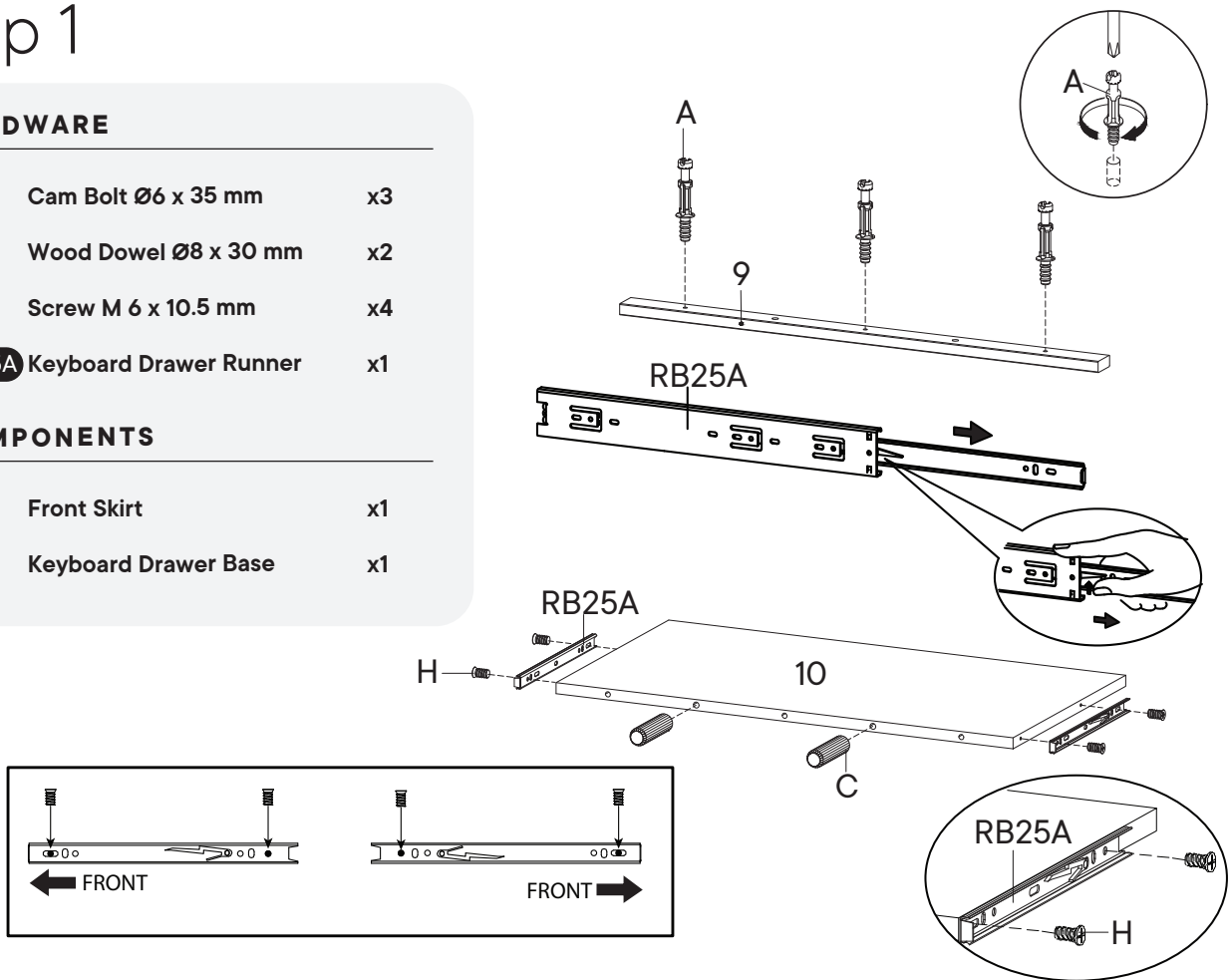
# Step 1

## HARDWARE

- A** Cam Bolt  $\varnothing 6 \times 35$  mm x3
- C** Wood Dowel  $\varnothing 8 \times 30$  mm x2
- H** Screw M 6 x 10.5 mm x4
- RB25A** Keyboard Drawer Runner x1

## COMPONENTS

- 9** Front Skirt x1
- 10** Keyboard Drawer Base x1



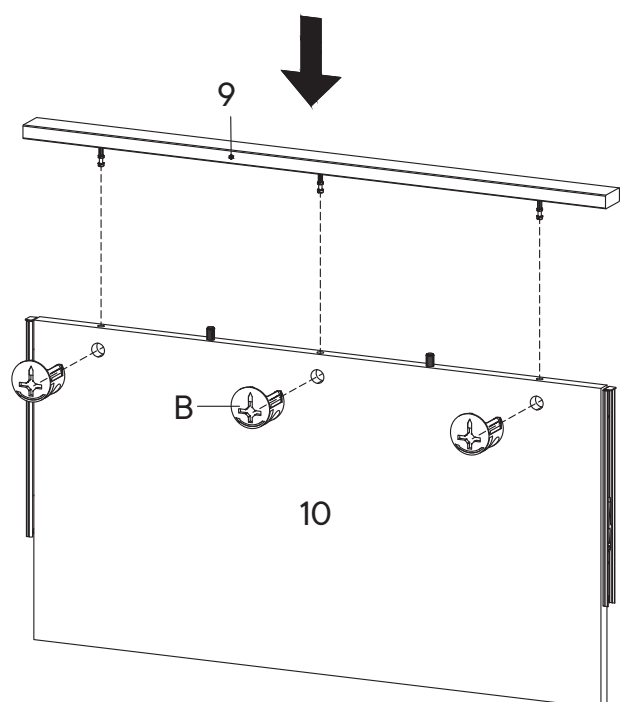
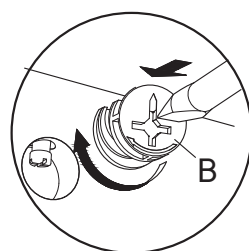
# Step 2

## HARDWARE

- B** Cam Lock  $\varnothing 15$  mm x3

## COMPONENTS

- 9** Front Skirt x1
- 10** Keyboard Drawer Base x1



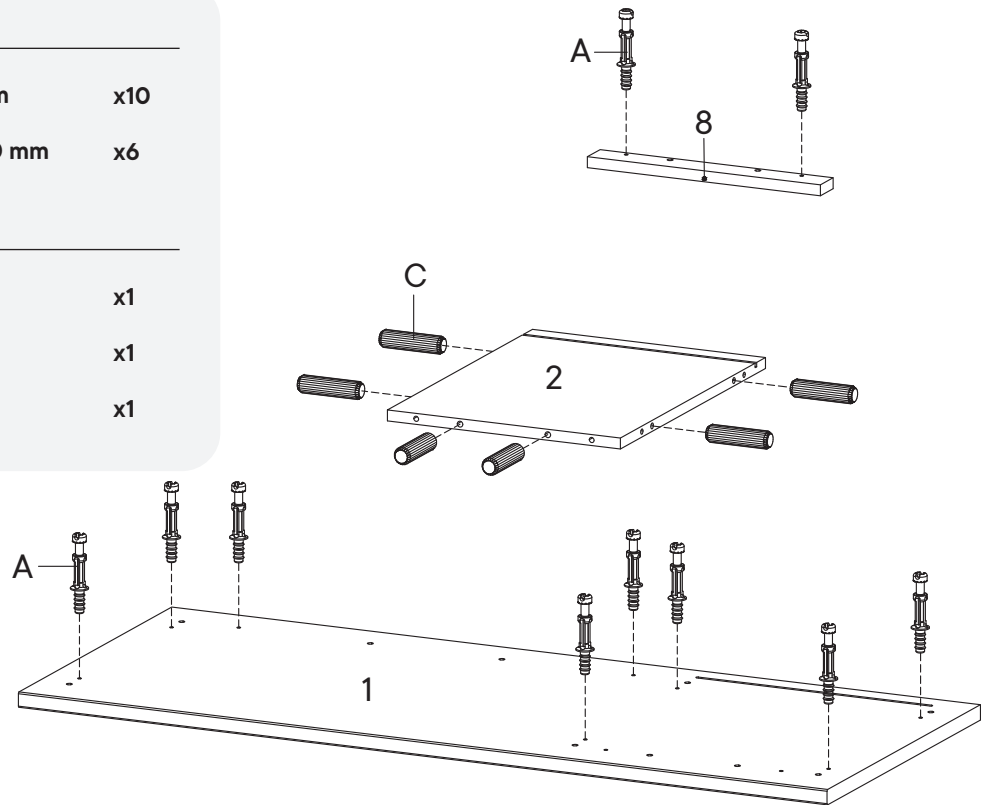
## Step 3

### HARDWARE

- A** Cam Bolt  $\varnothing 6 \times 35$  mm x10
- C** Wood Dowel  $\varnothing 8 \times 30$  mm x6

### COMPONENTS

- 1** Top Board x1
- 2** Bottom Board x1
- 8** Bottom Skirt x1



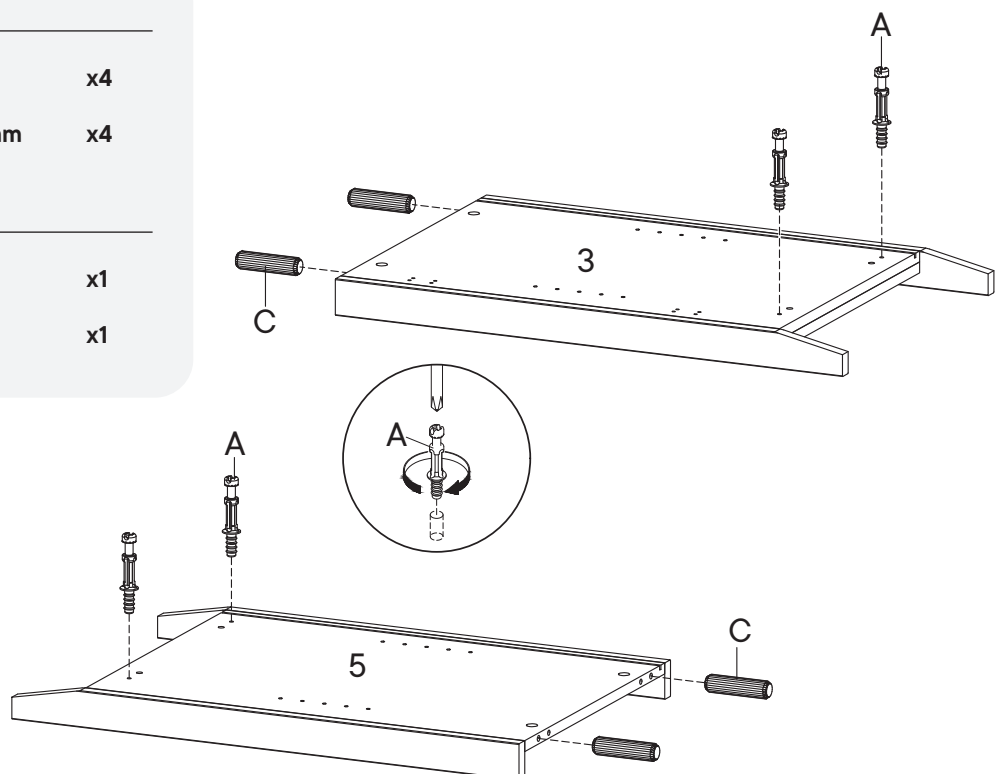
## Step 4

### HARDWARE

- A** Cam Bolt  $\varnothing 6 \times 35$  mm x4
- C** Wood Dowel  $\varnothing 8 \times 30$  mm x4

### COMPONENTS

- 3** Side Board Left x1
- 5** Center Board x1



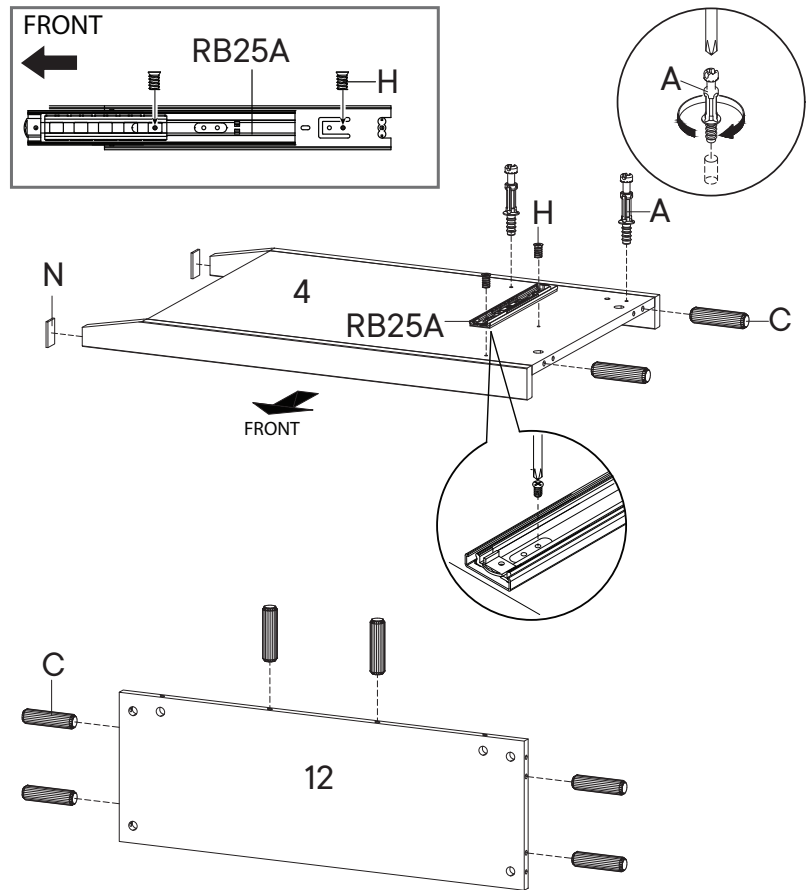
# Step 5

## HARDWARE

- A** Cam Bolt Ø6 x 35 mm x2
- C** Wood Dowel Ø8 x 30 mm x8
- H** Screw M 6 x 10.5 mm x2
- N** Floor Protector x2
- RB25A** Keyboard Drawer Runner x1

## COMPONENTS

- 4** Side Board Right x1
- 12** Back Board 1 x1



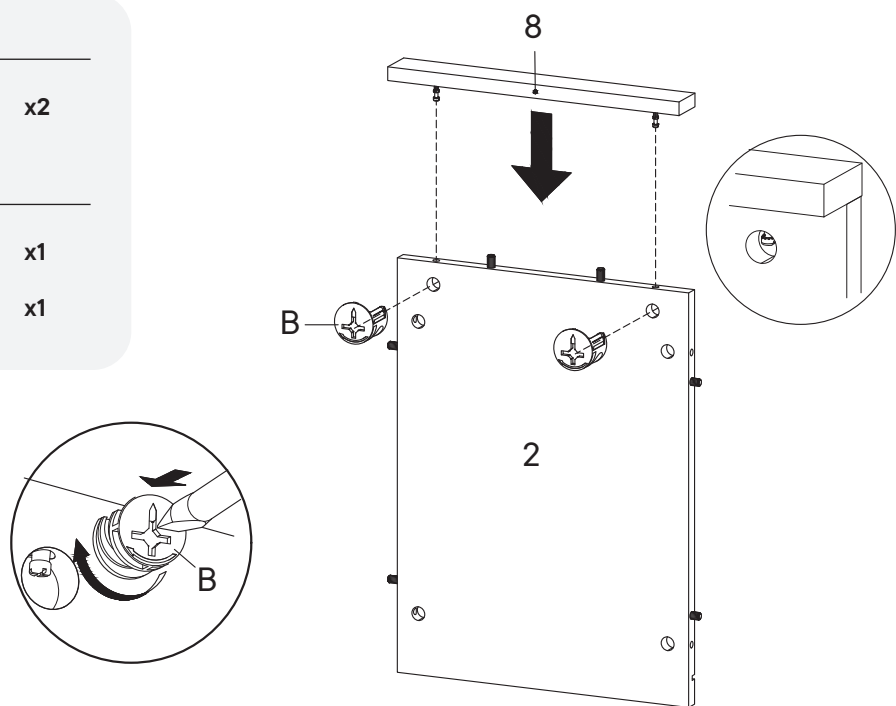
# Step 6

## HARDWARE

- B** Cam Lock Ø15 mm x2

## COMPONENTS

- 2** Bottom Board x1
- 8** Bottom Skirt x1



# Step 7

## HARDWARE

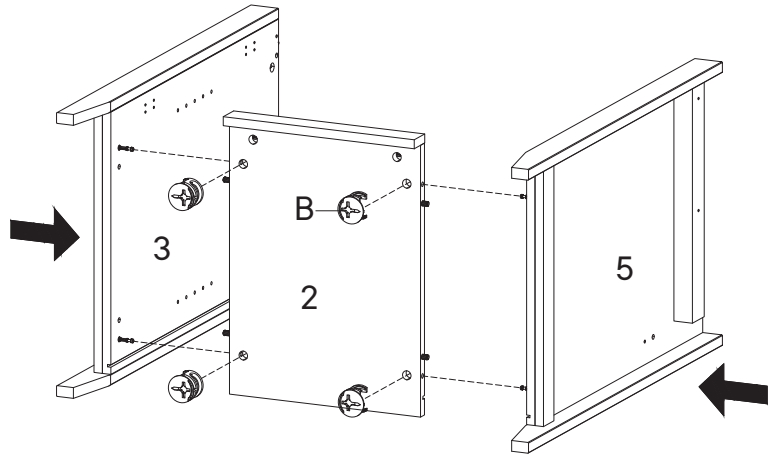
**B** Cam Lock Ø15 mm x4

## COMPONENTS

**2** Bottom Board x1

**3** Side Board Left x1

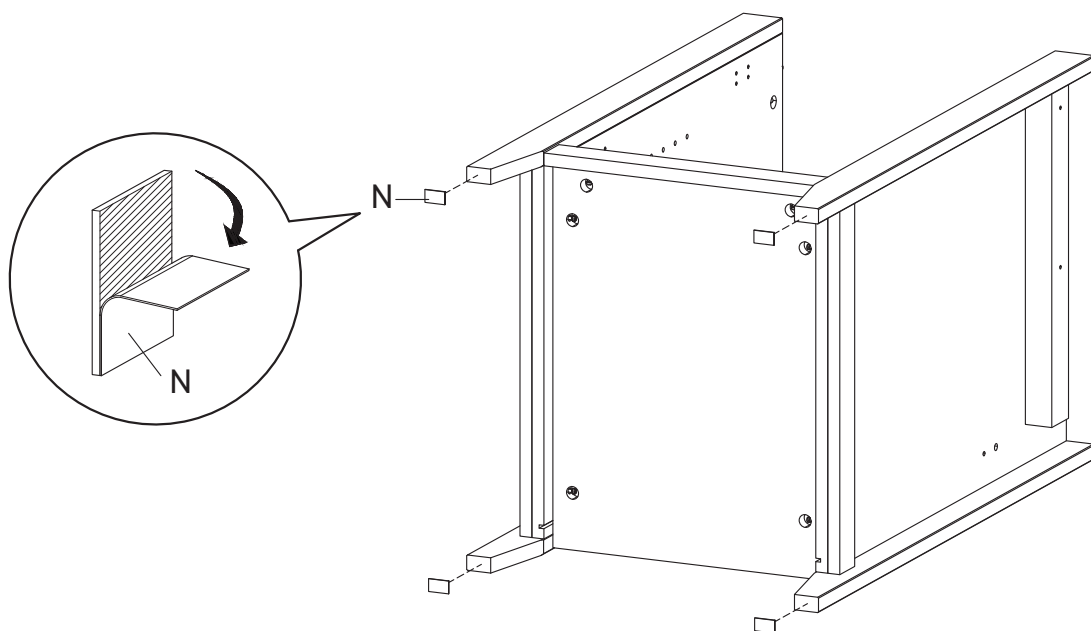
**5** Center Board x1



# Step 8

## HARDWARE

**N** Floor Protector x4



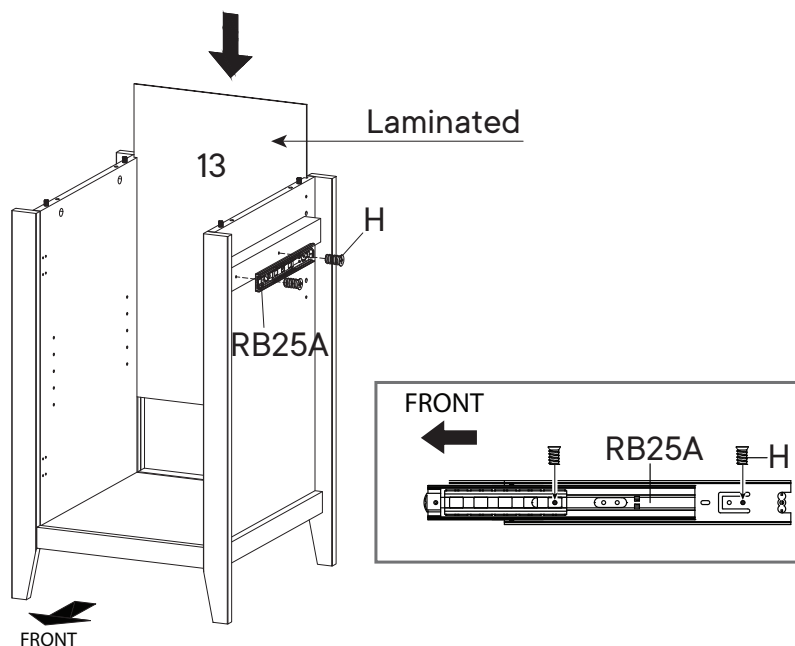
# Step 9

## HARDWARE

- H** Screw M 6 x 10.5 mm x2
- RB25A** Keyboard Drawer Runner x1

## COMPONENTS

- 13** Back Board 2 x1



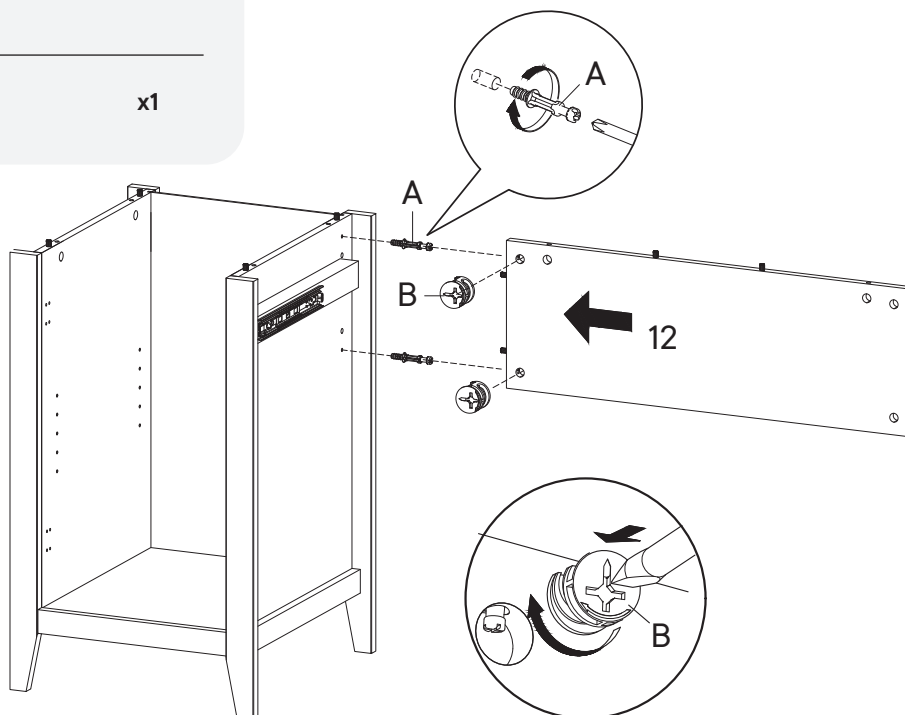
# Step 10

## HARDWARE

- A** Cam Bolt  $\varnothing 6$  x 35 mm x2
- B** Cam Lock  $\varnothing 15$  mm x2

## COMPONENTS

- 12** Back Board 1 x1



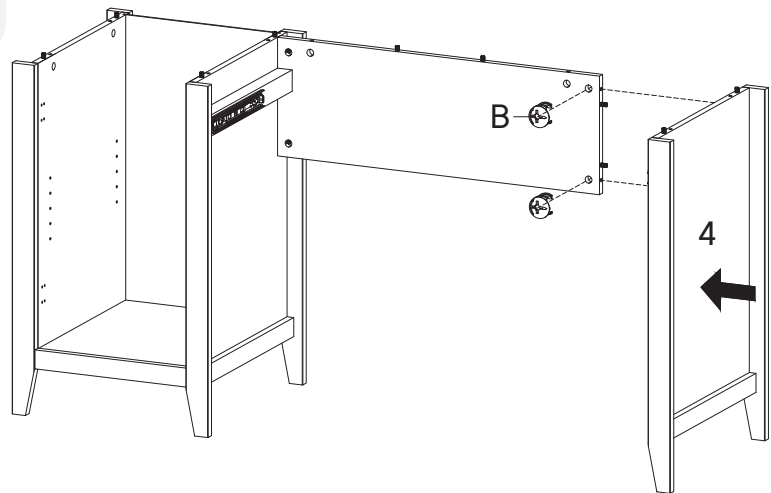
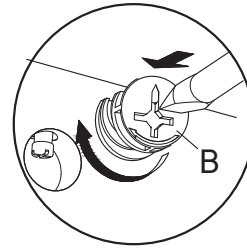
# Step 11

## HARDWARE

**B** Cam Lock Ø15 mm x2

## COMPONENTS

**4** Side Board Right x1



# Step 12

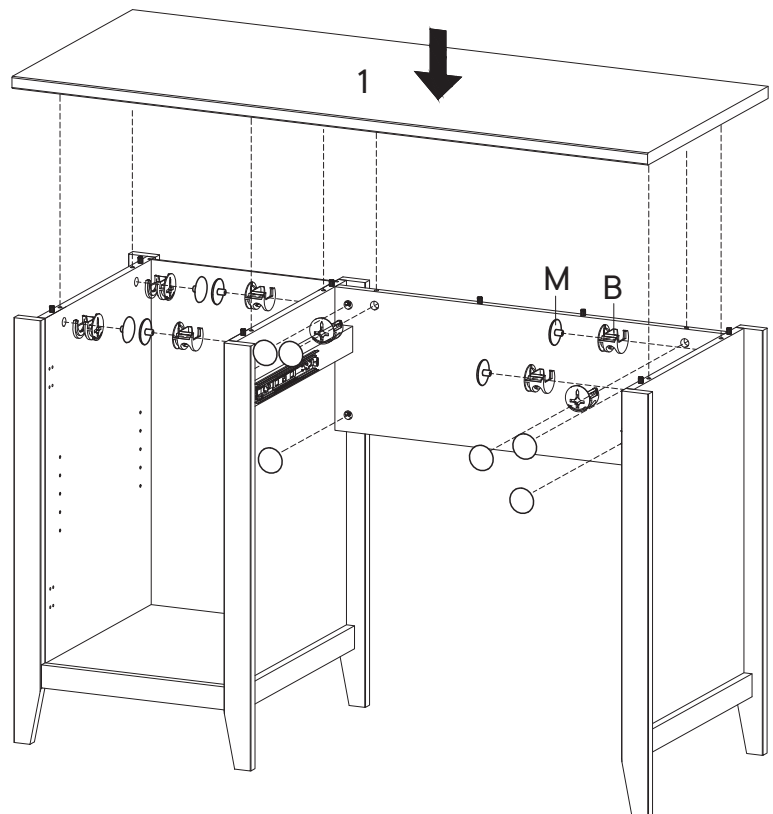
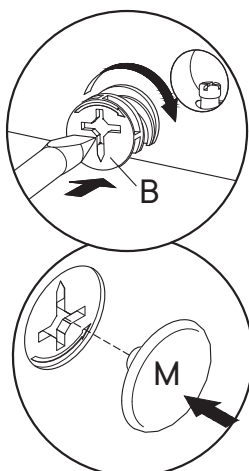
## HARDWARE

**B** Cam Lock Ø15 mm x8

**M** Screw Cap Ø15 mm x12

## COMPONENTS

**1** Top Board x1



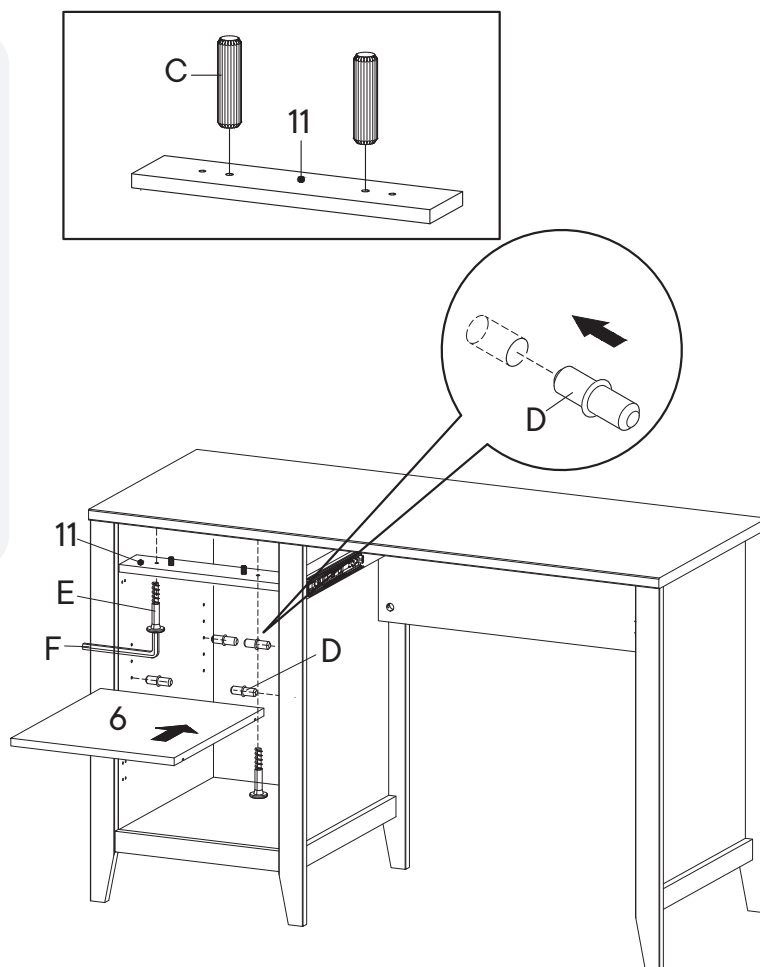
# Step 13

## HARDWARE

- C** Wood Dowel Ø8 x 30 mm x2
- D** Shelf Pin x4
- E** Screw M 6.4 x 35 mm x2
- F** Allen Key x1

## COMPONENTS

- 6** Adjustable Shelf x1
- 11** Support Board x1



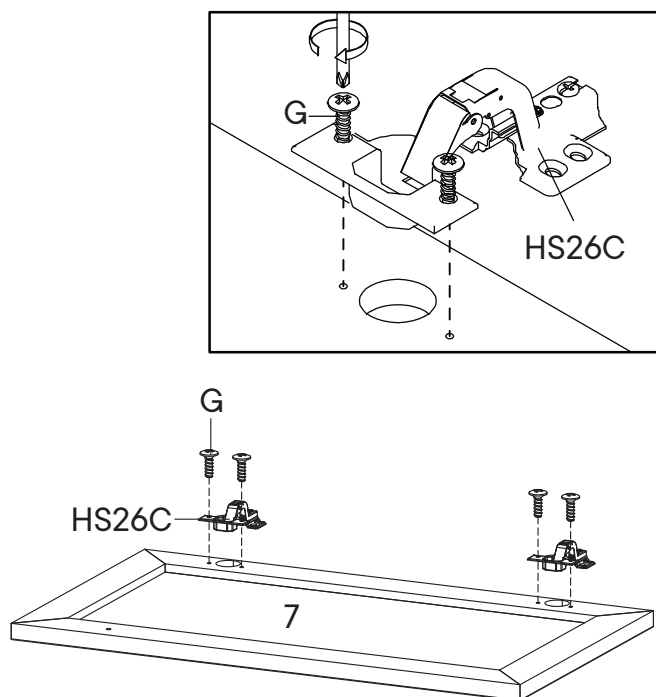
# Step 14

## HARDWARE

- G** Screw M 4.5 x 12.5 mm x4
- HS26C** Hinge x2

## COMPONENTS

- 7** Frame Door x1



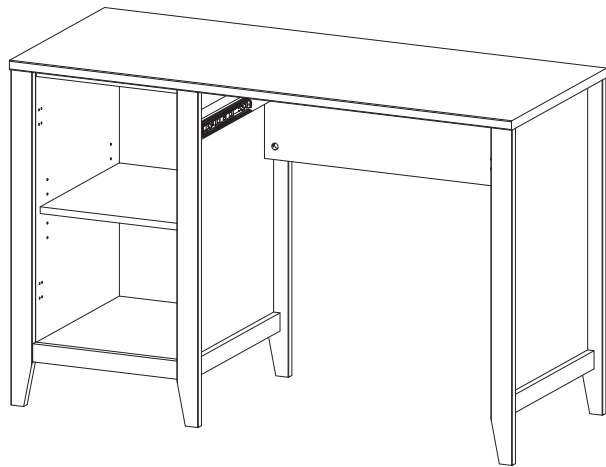
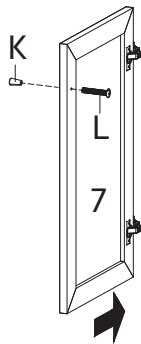
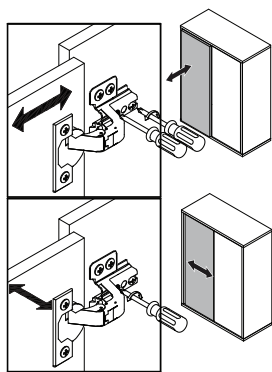
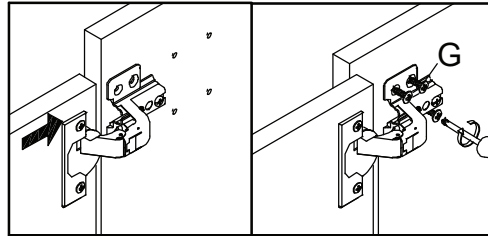
# Step 15

## HARDWARE

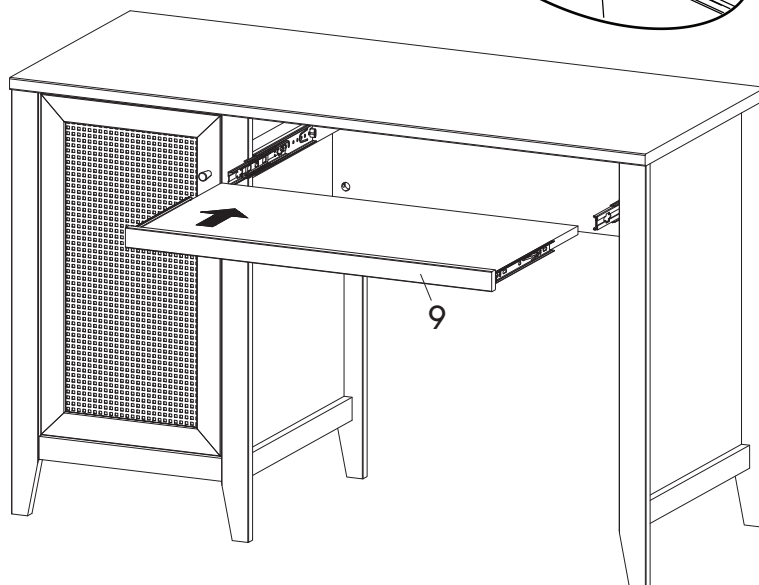
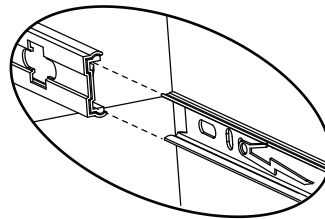
- G** Screw M 4.5 x 12.5 mm x8
- K** Handle x1
- L** Screw M 4 x 25 mm x1

## COMPONENTS

- 7** Frame Door x1



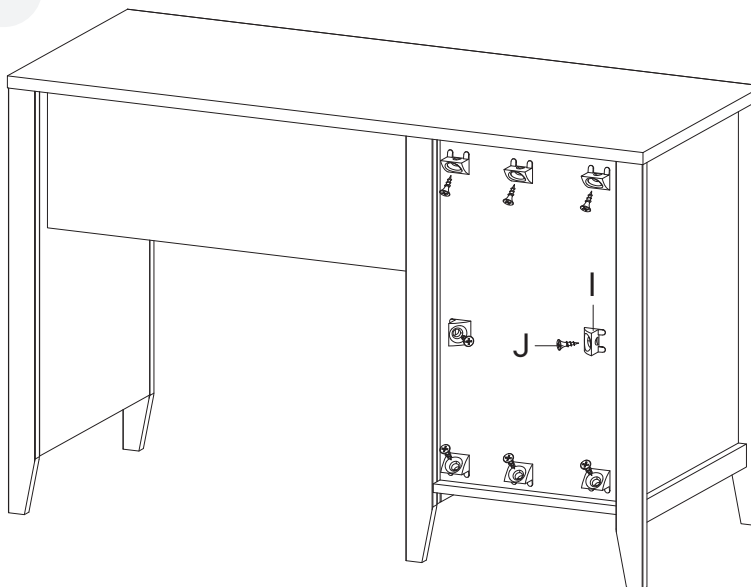
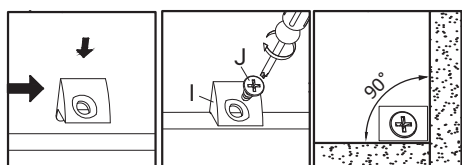
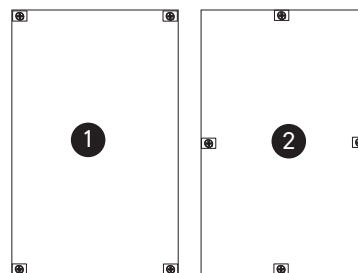
# Step 16



# Step 17

## HARDWARE

- I** Wedge x8
- J** Screw M 3.5 x 15.5 mm x8



# Great job!

Desk assembly is complete.

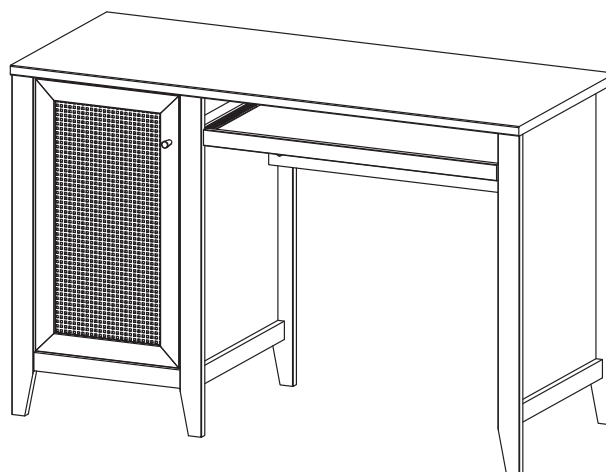
## ♥ CARING FOR YOUR ITEM


Indoor use only.

Not contract grade.

Clean using a non-abrasive cloth and a mild cleaner.

Never use harsh chemicals, as they could damage the finish or integrity of the item.



CONNECT WITH US!   

Tag us @modway\_furniture and #modway for a chance to be featured.