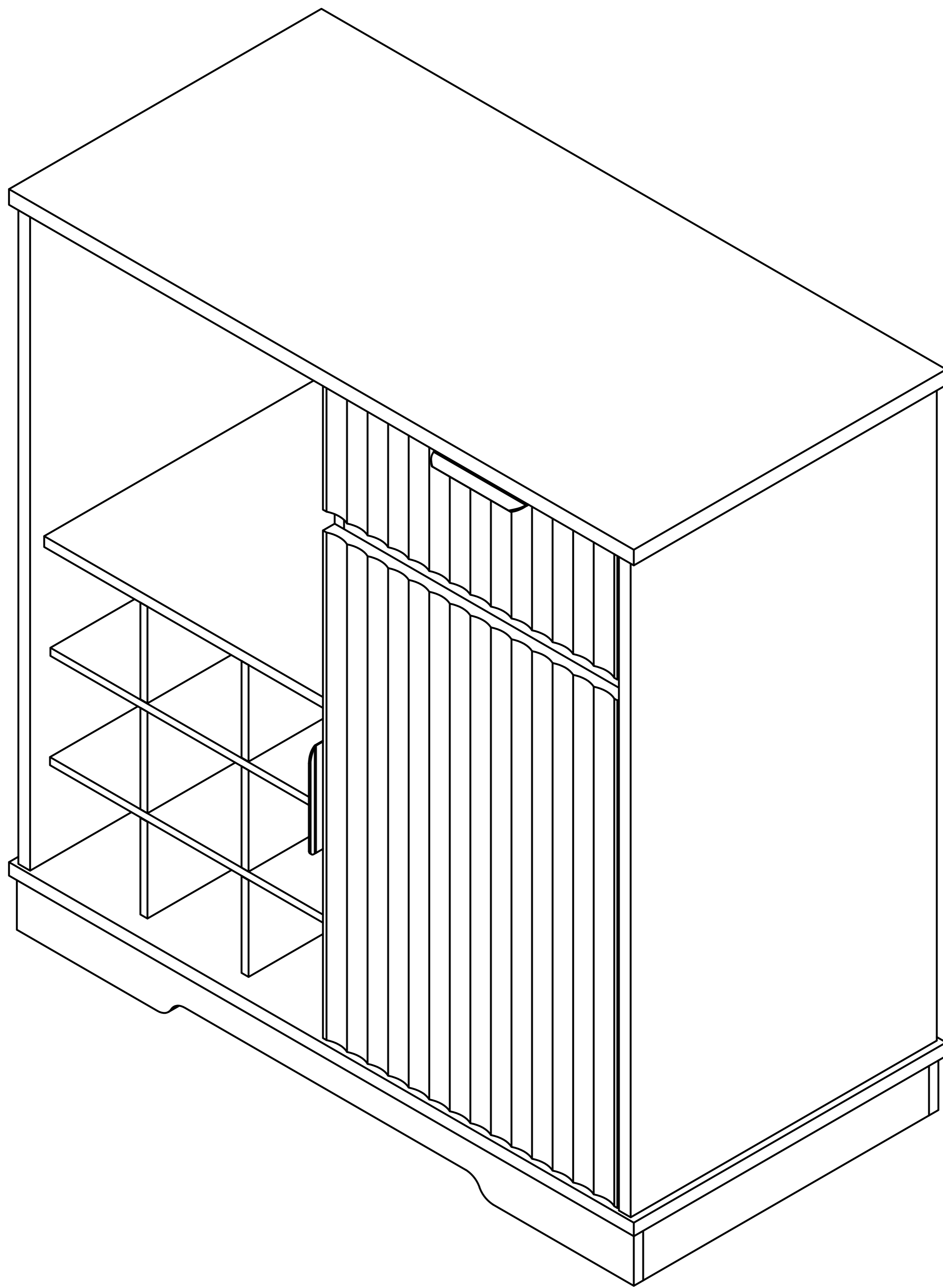
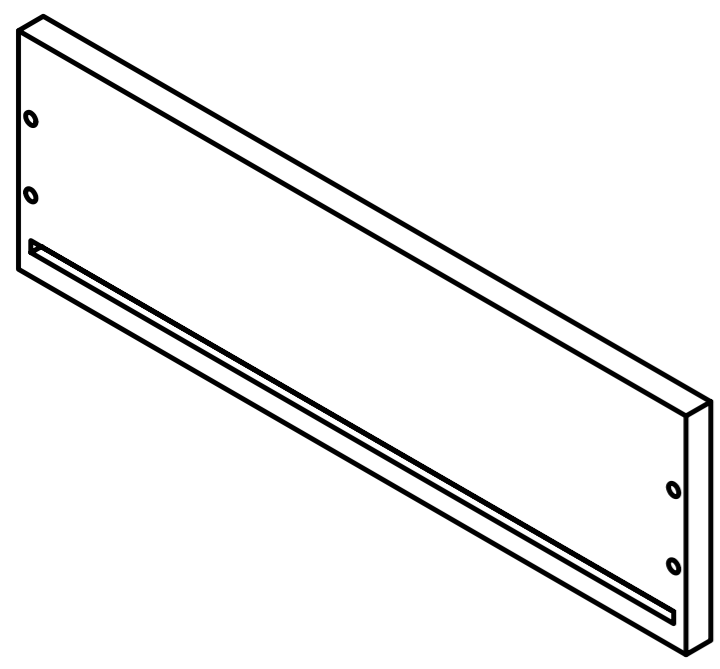
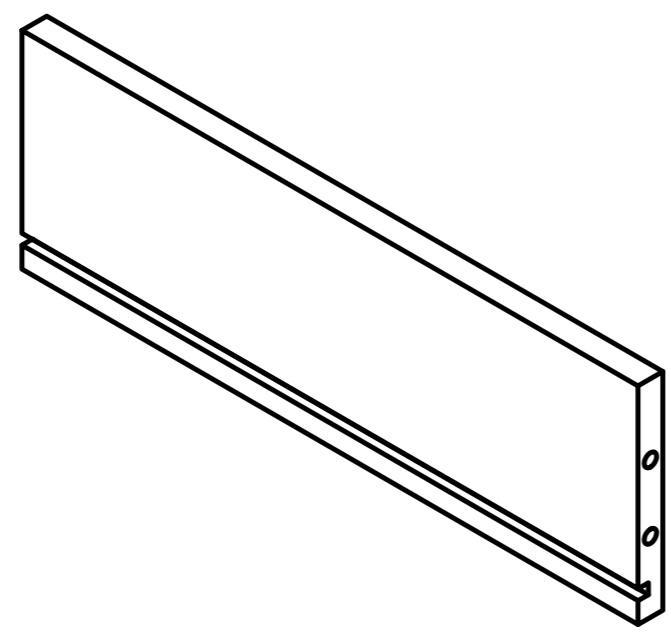


Product Installation Instructions

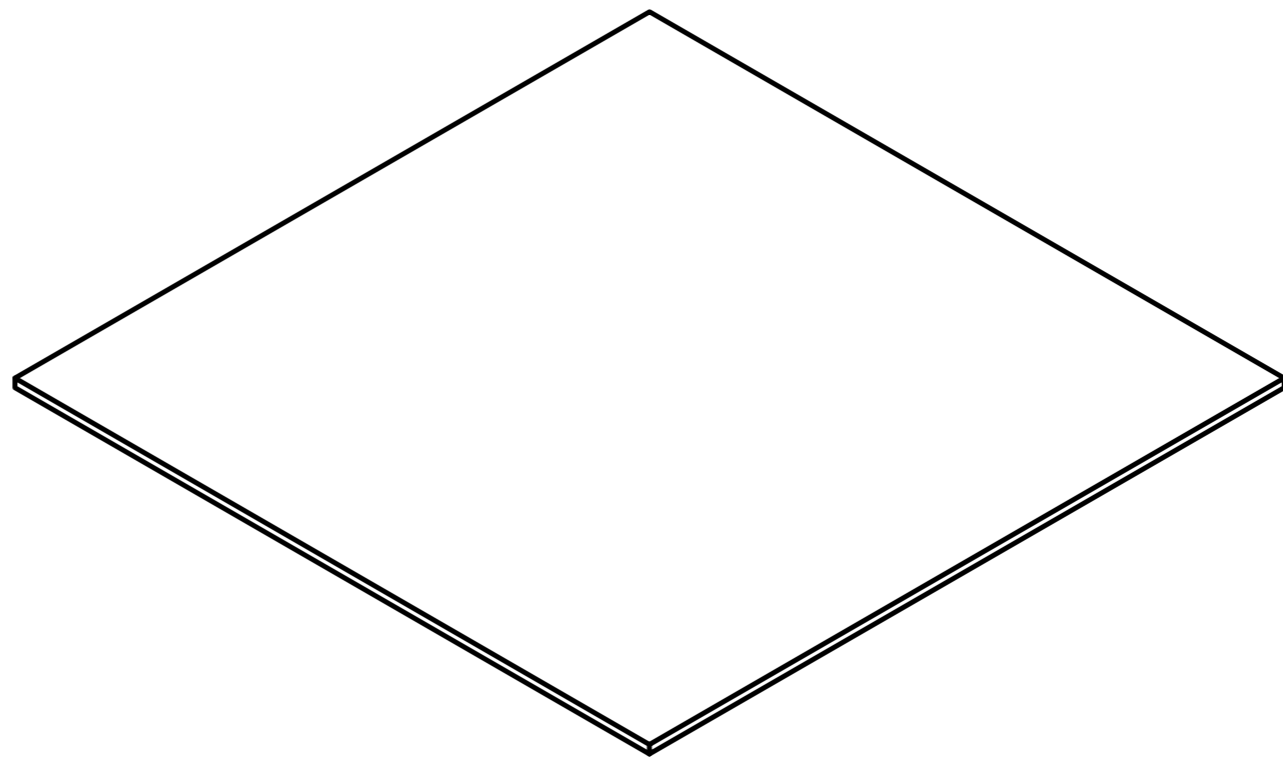




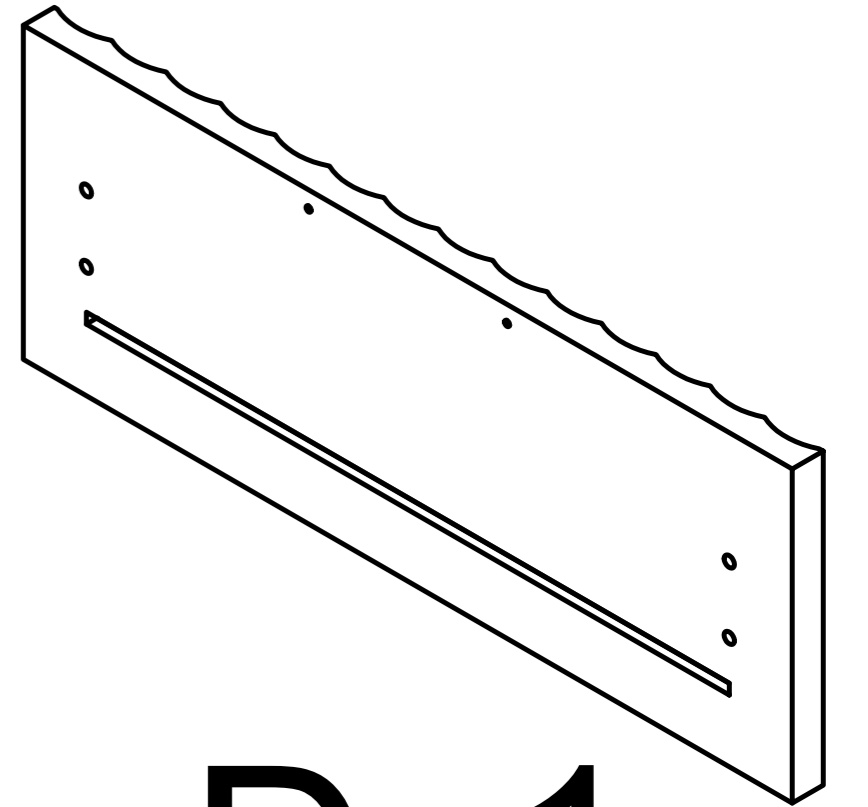
Ax1



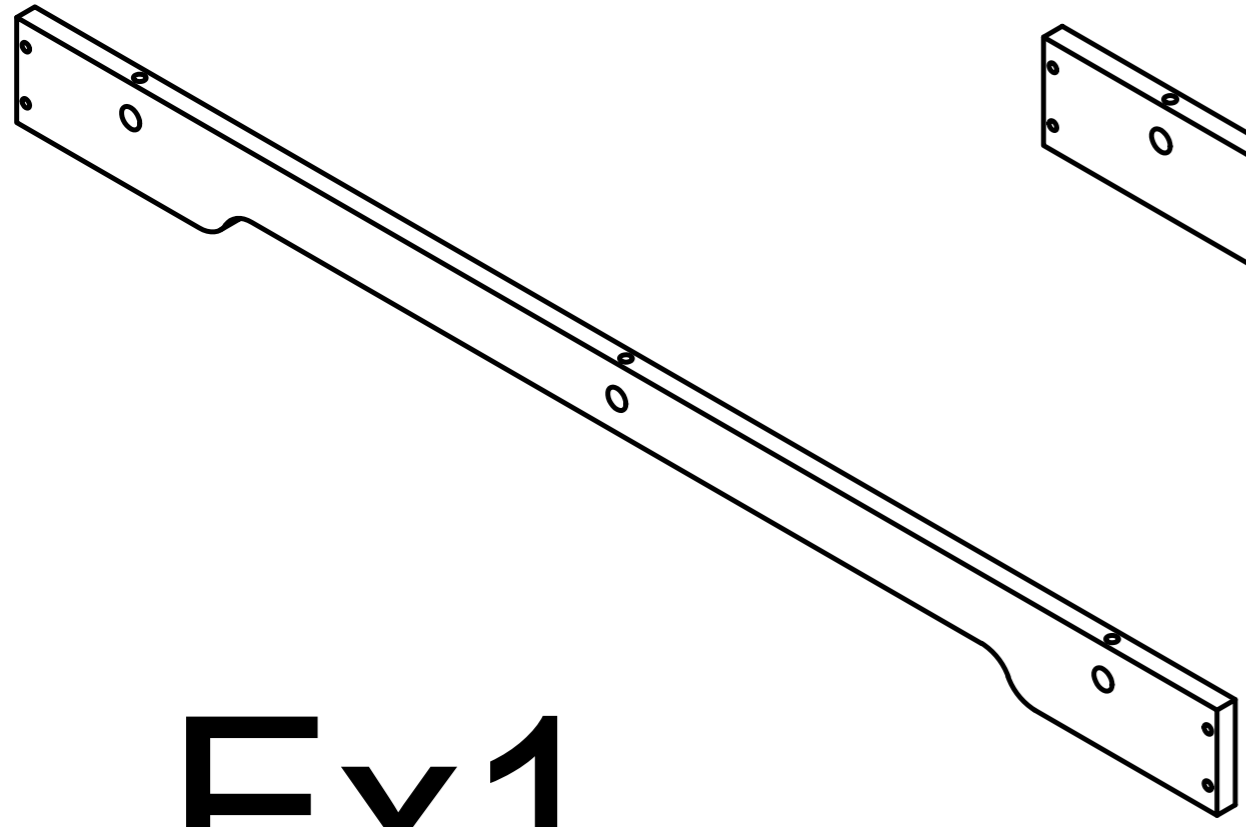
Bx2



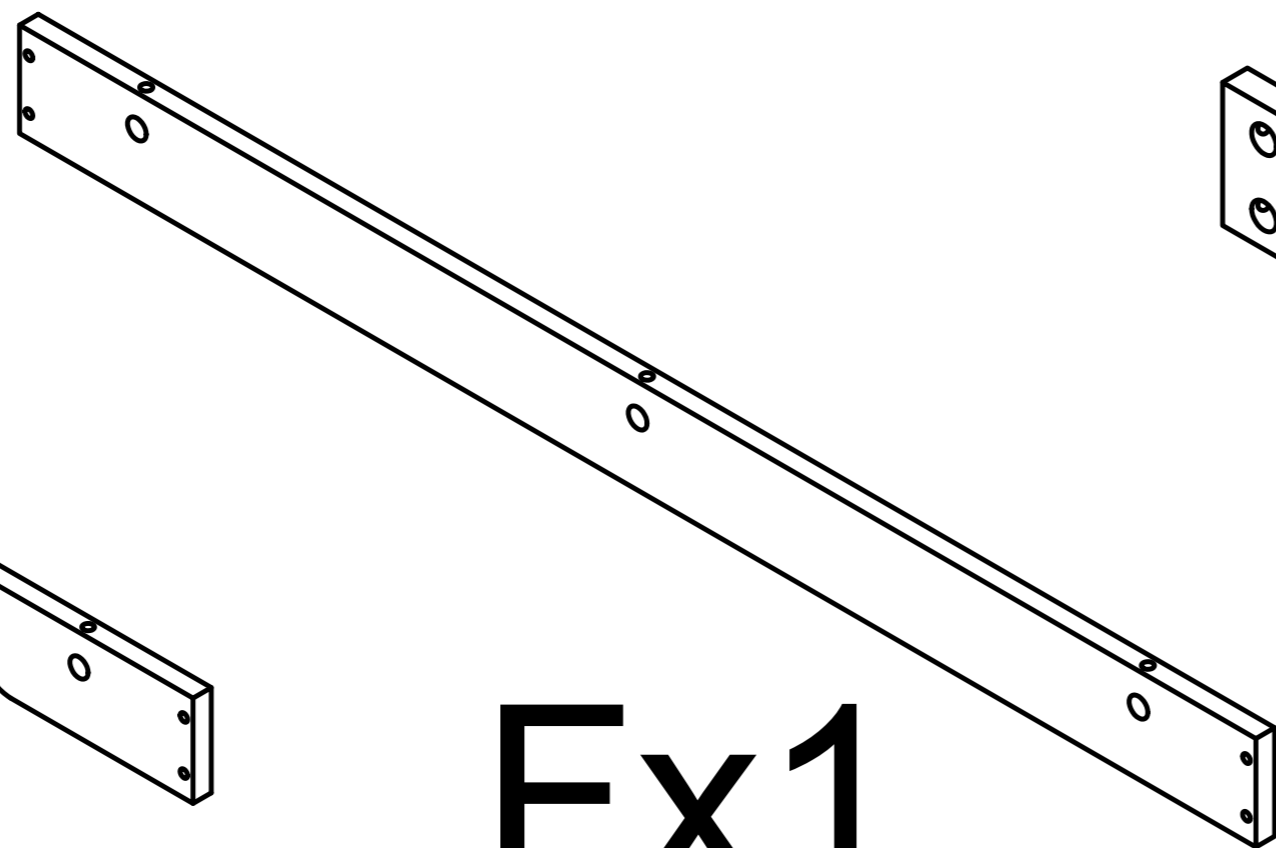
Cx1



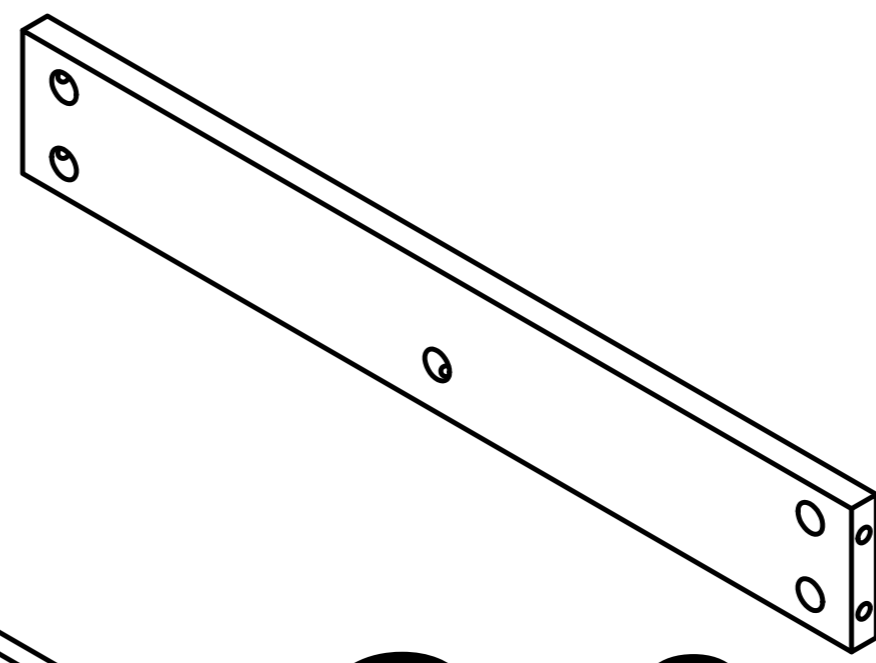
Dx1



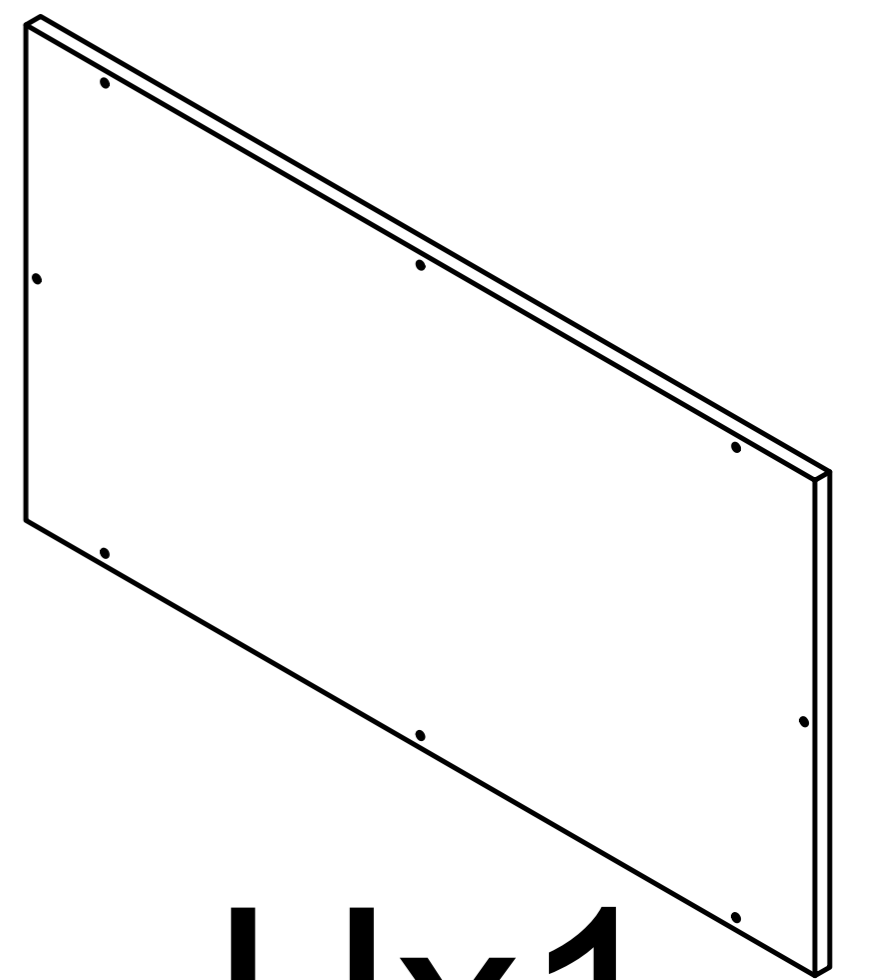
Ex1



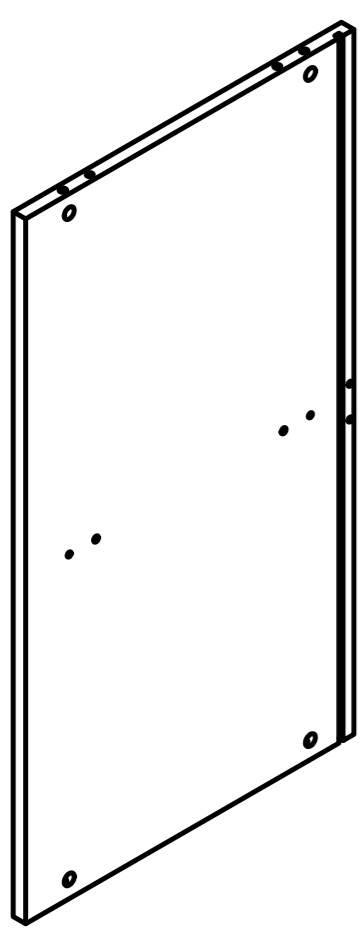
Fx1



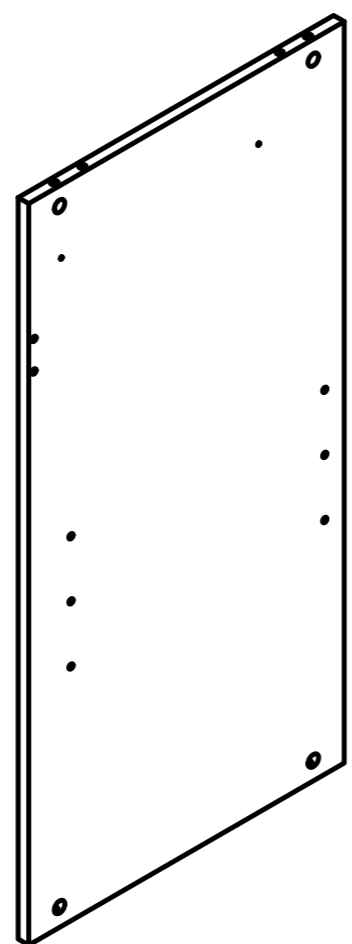
Gx2



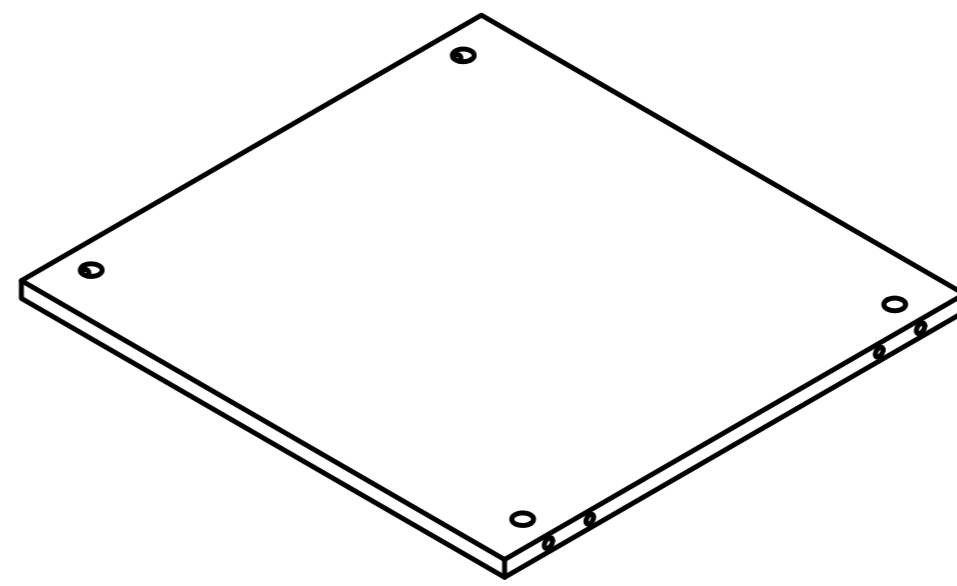
Hx1



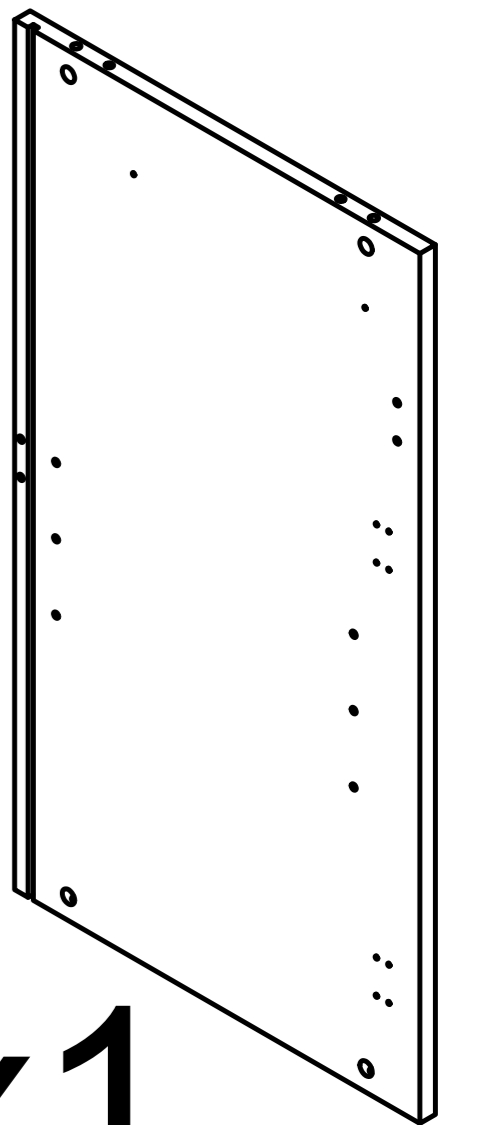
Ix1



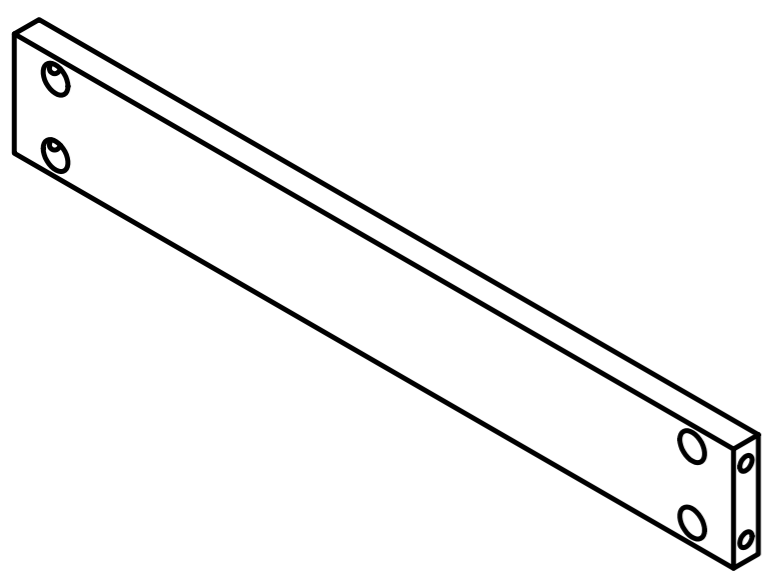
Jx1



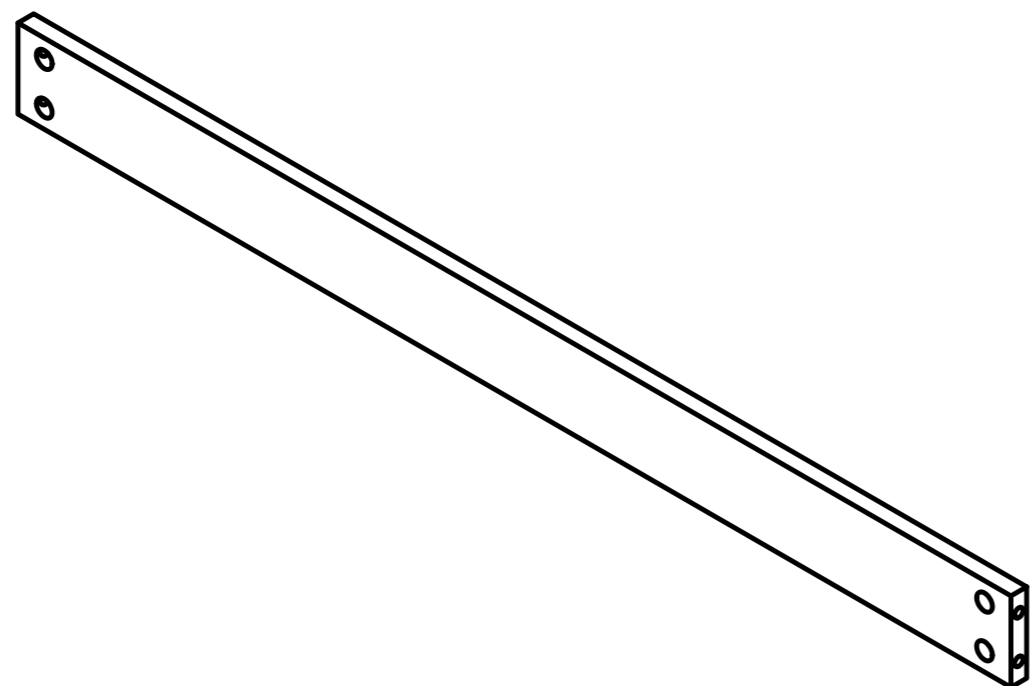
Kx1



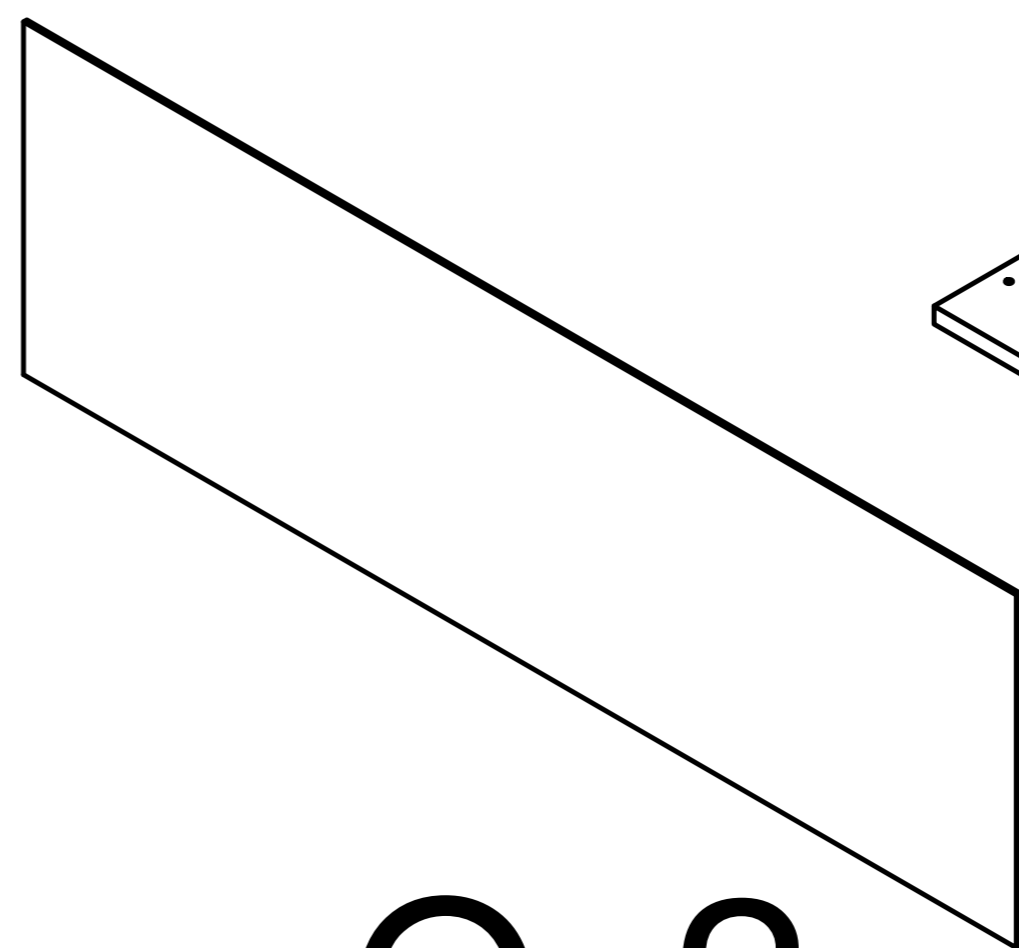
Lx1



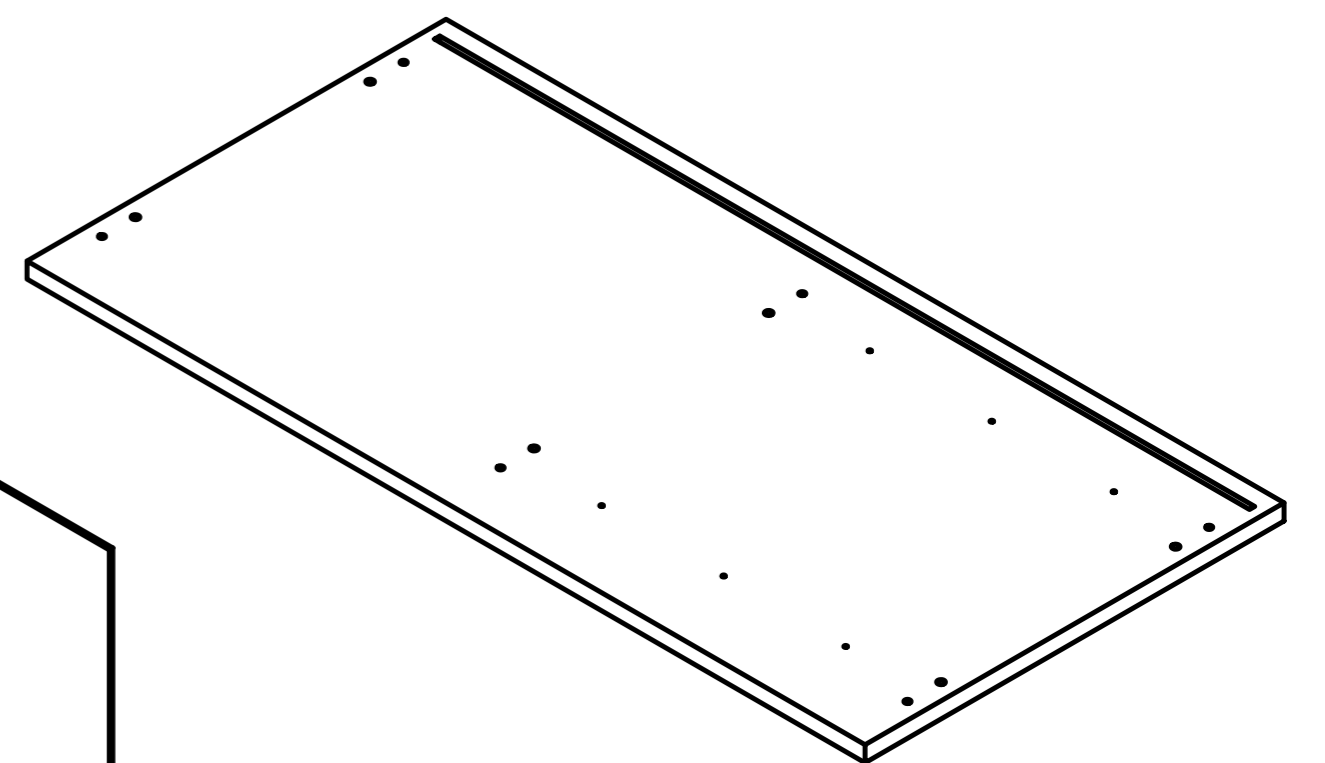
Mx1



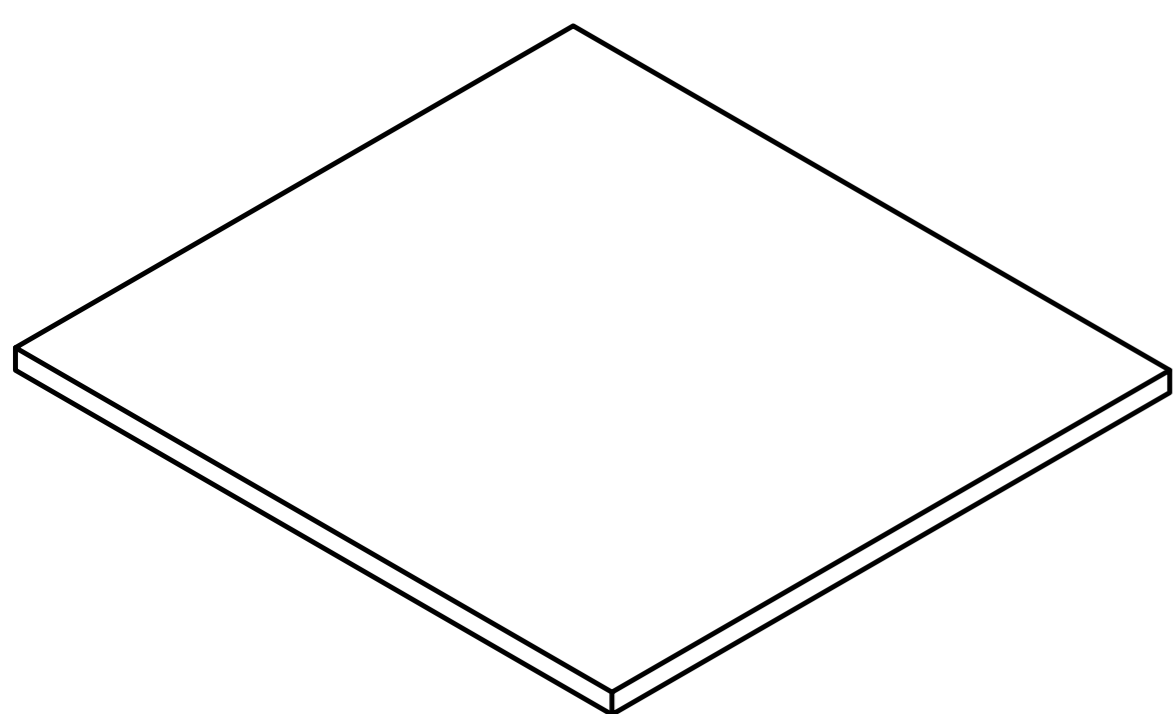
Nx1



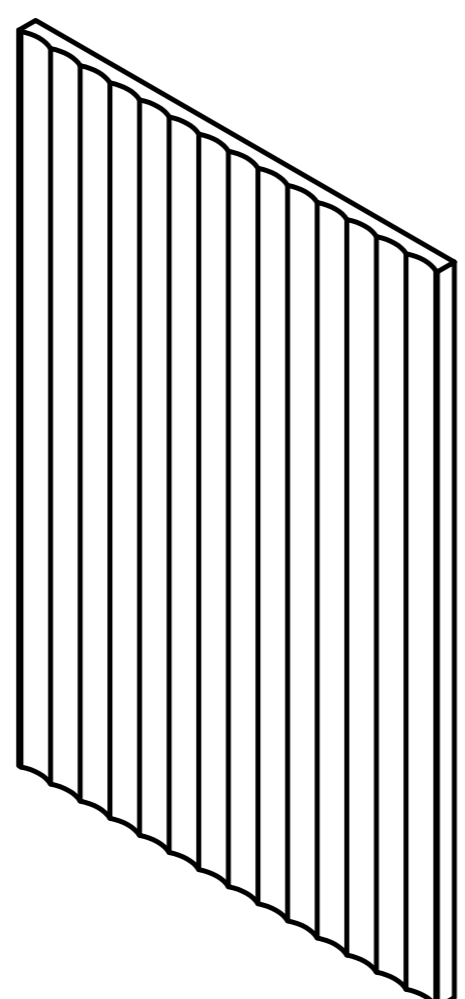
Ox2



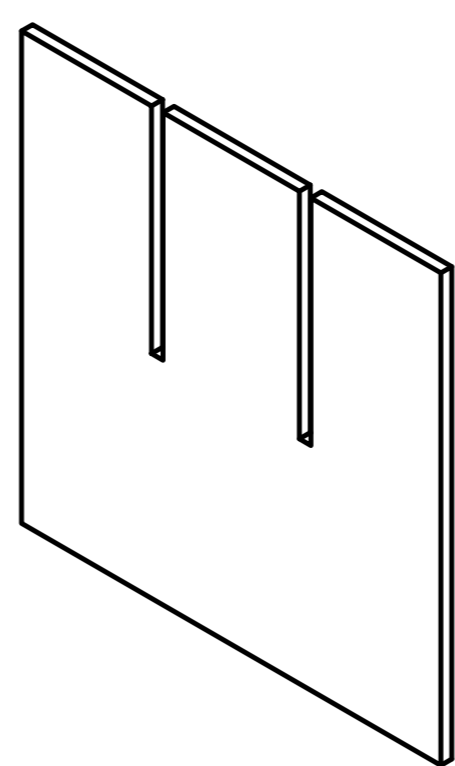
Px1



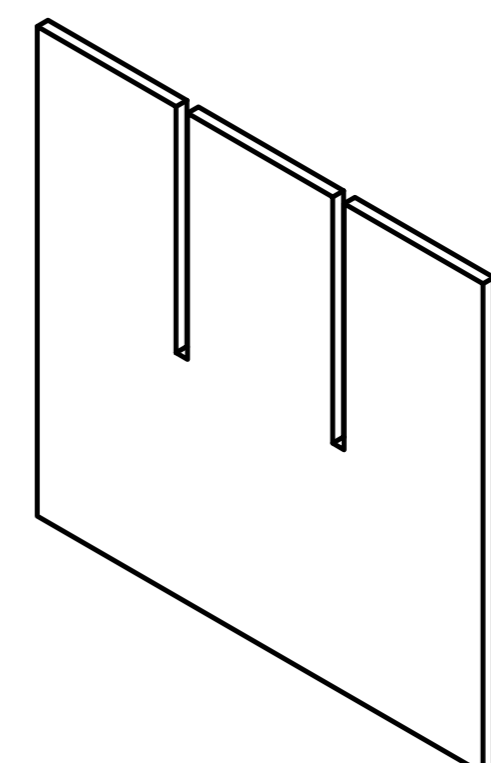
Qx1



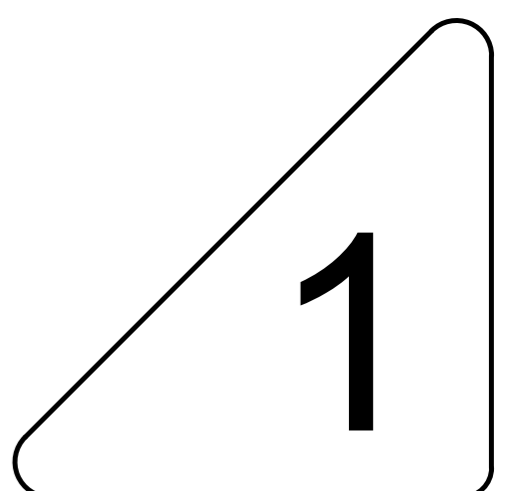
Rx1



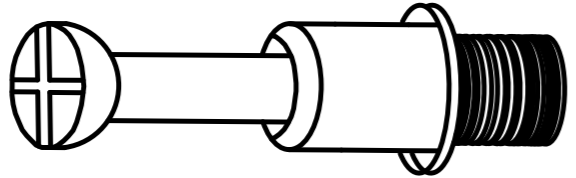
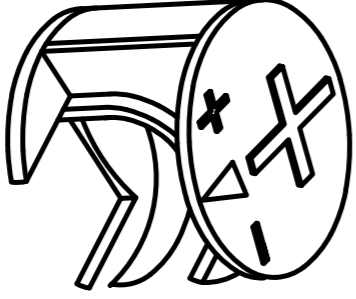
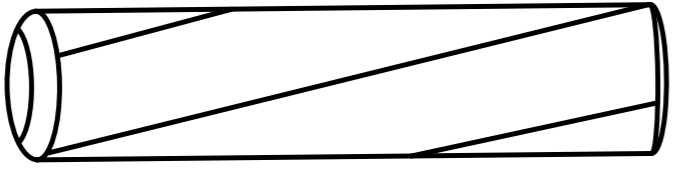
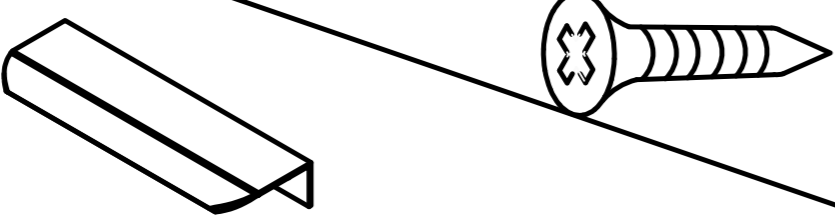
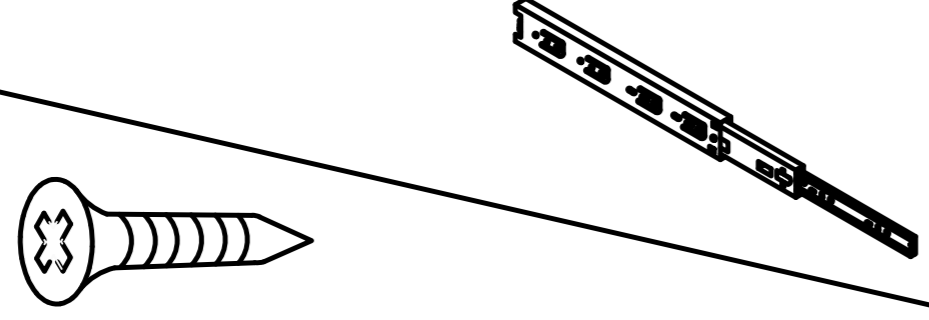

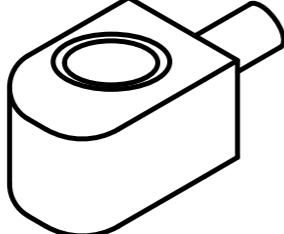
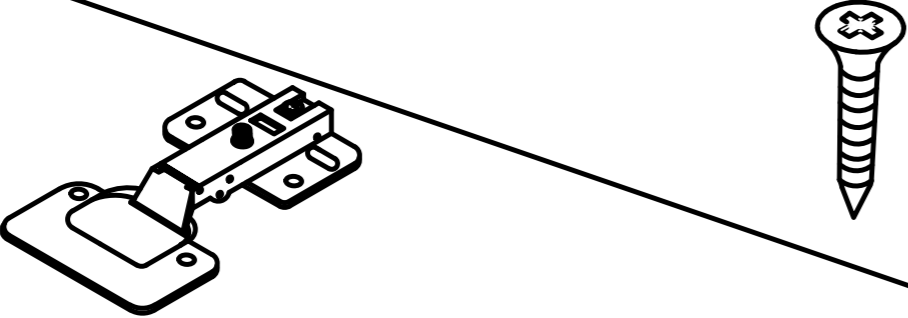
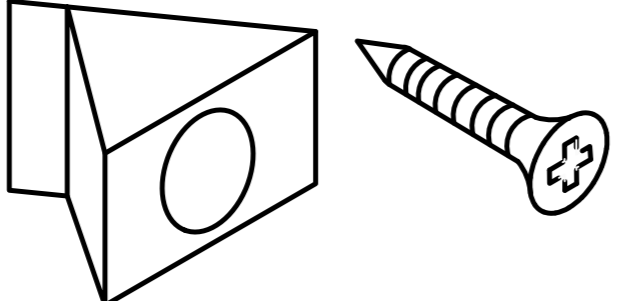
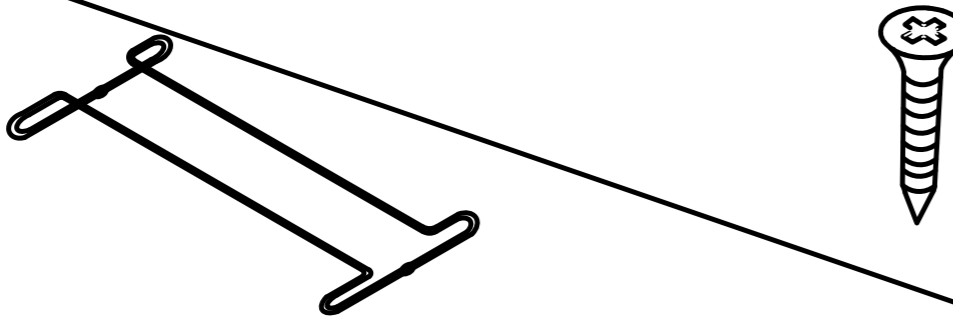
Sx2



Tx2

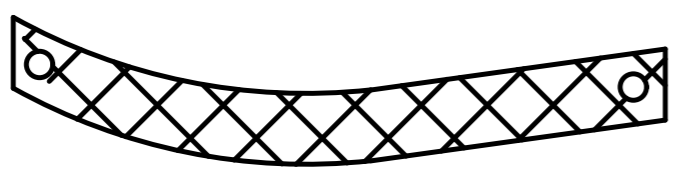


1

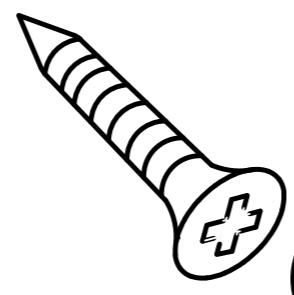
①		Two In One Screw (6x28mm)	48pcs +4pcs
②		Two In One Nut (10x12mm)	48pcs +4pcs
③		Wood Chipping (6x30mm)	16pcs +2pcs
④		Handle & Screw (3.5x10mm)	4pcs +1pcs 2pcs
⑤		Screw & Guide (29cm) (3x12mm)	2pcs 10pcs +2pcs
⑥		Non-slip pads (50x10x2mm)	5pcs +1pcs
⑦		Laminate support nail	4pcs +1pcs
⑧		Hinge & Screw (3.5x12mm)	12pcs +2pcs 2pcs
⑨		Fixing Clip & Screw (3x16mm)	12pcs +2pcs
⑩		Wine glass rack & Screw (4x16mm)	6pcs +2pcs 3pcs

Anti tipping hardware

⑪

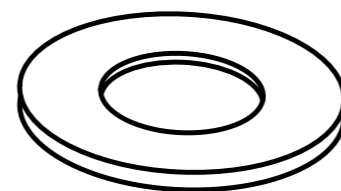


x1

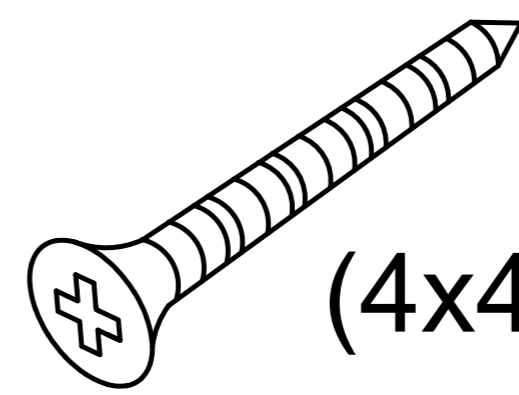


x1

(3.5x12mm)

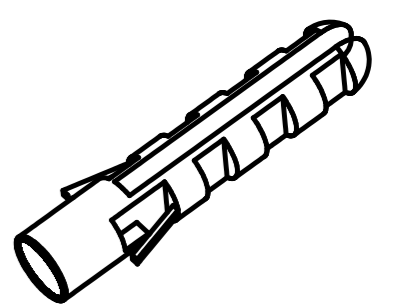


x2

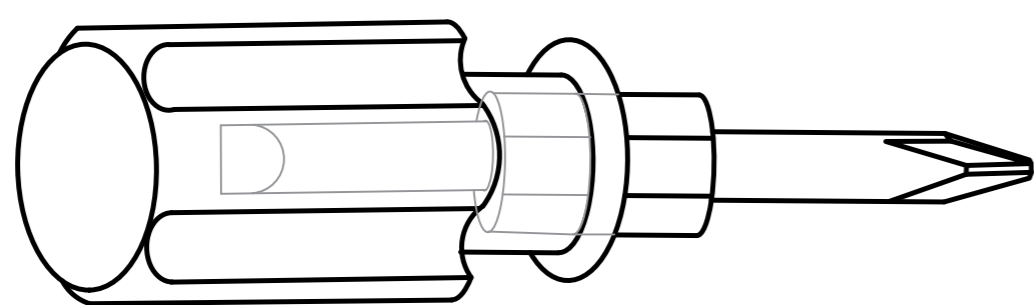


x1

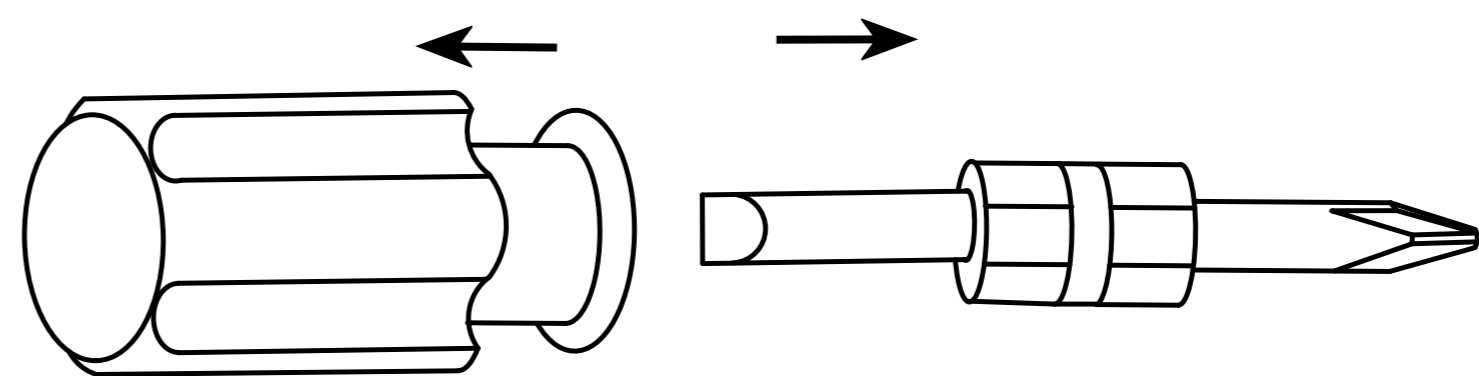
(4x45mm)



x1



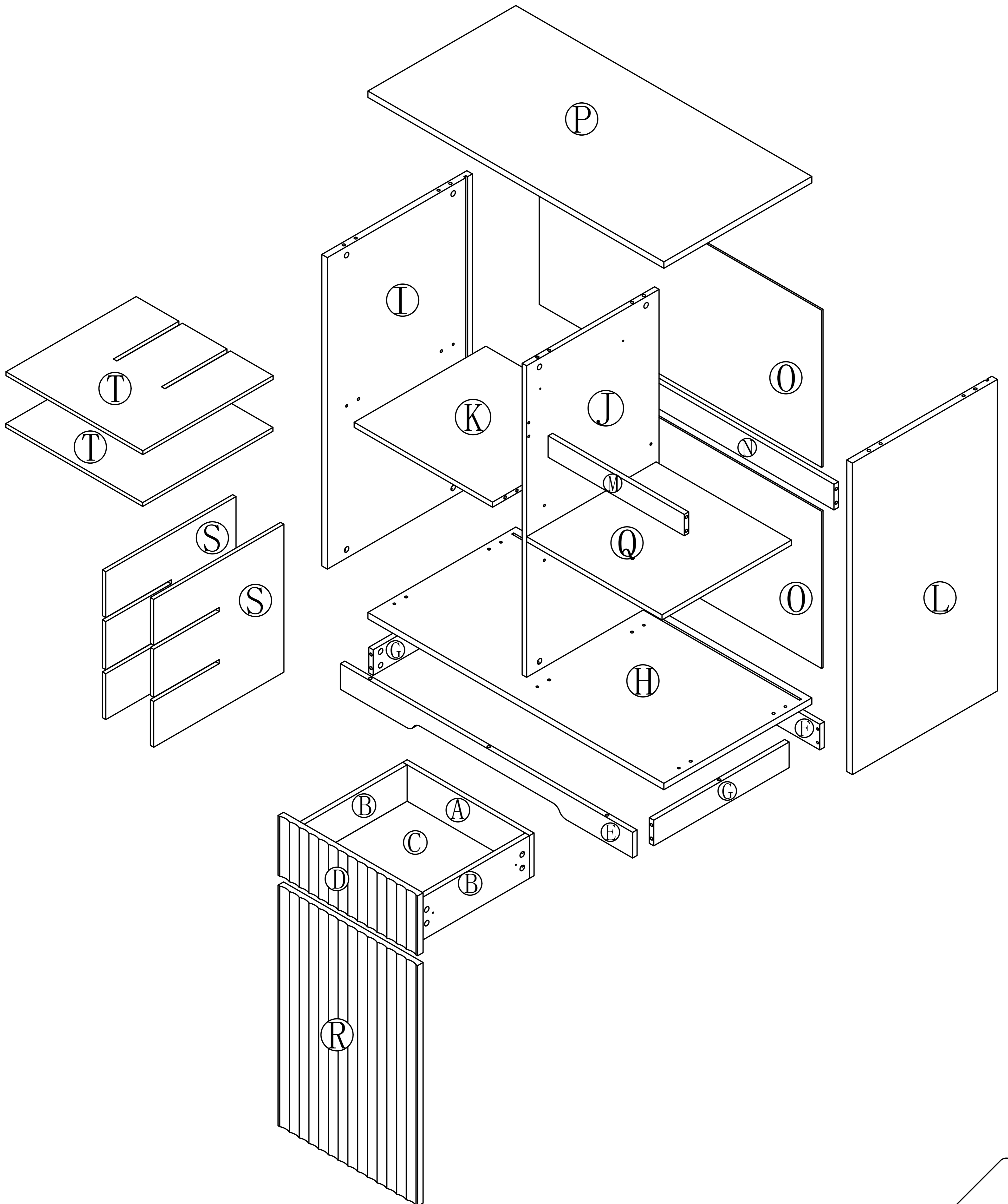
1pcs



Double-head screwdriver, use as required

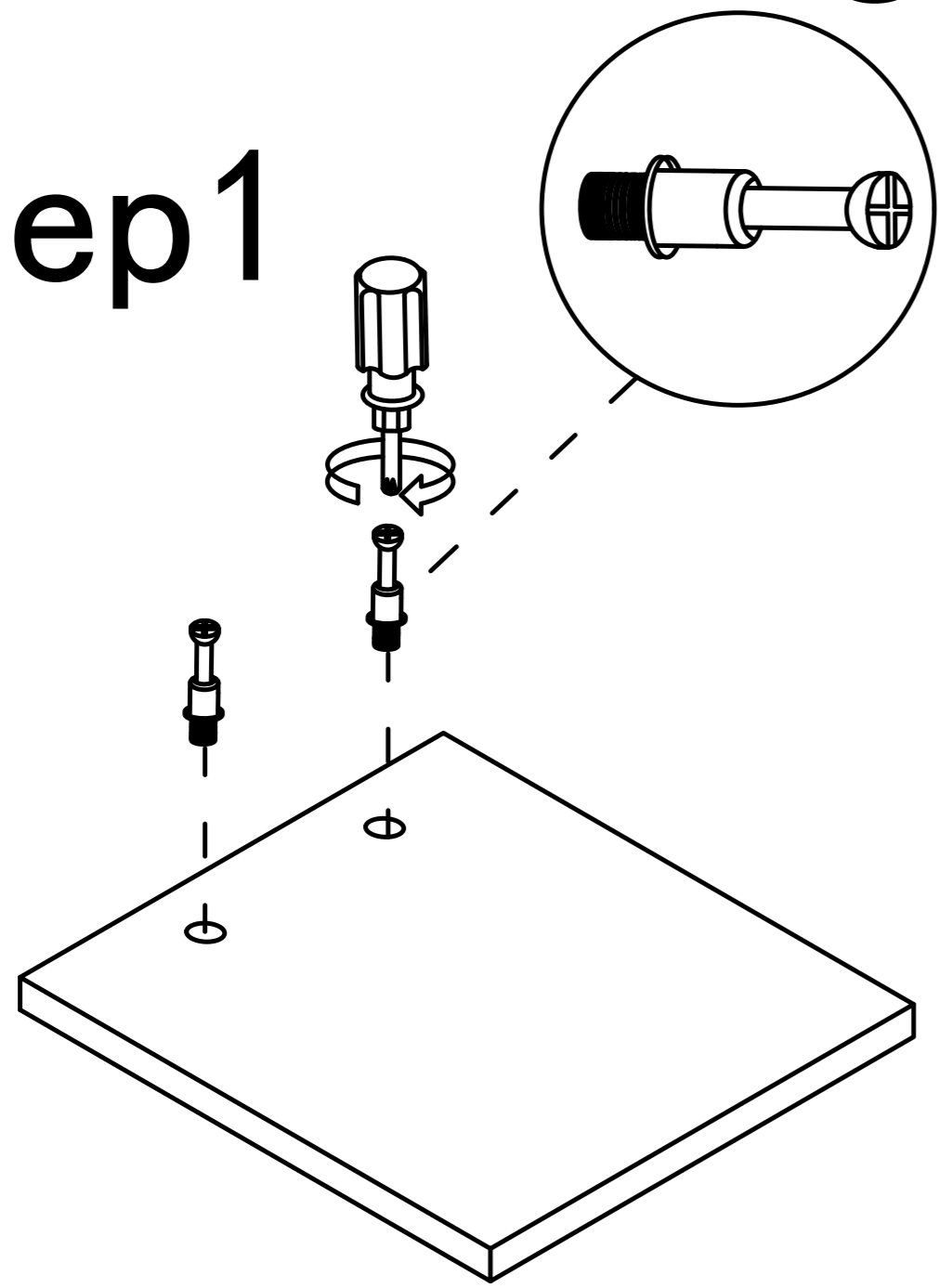
2

Product structure decomposition

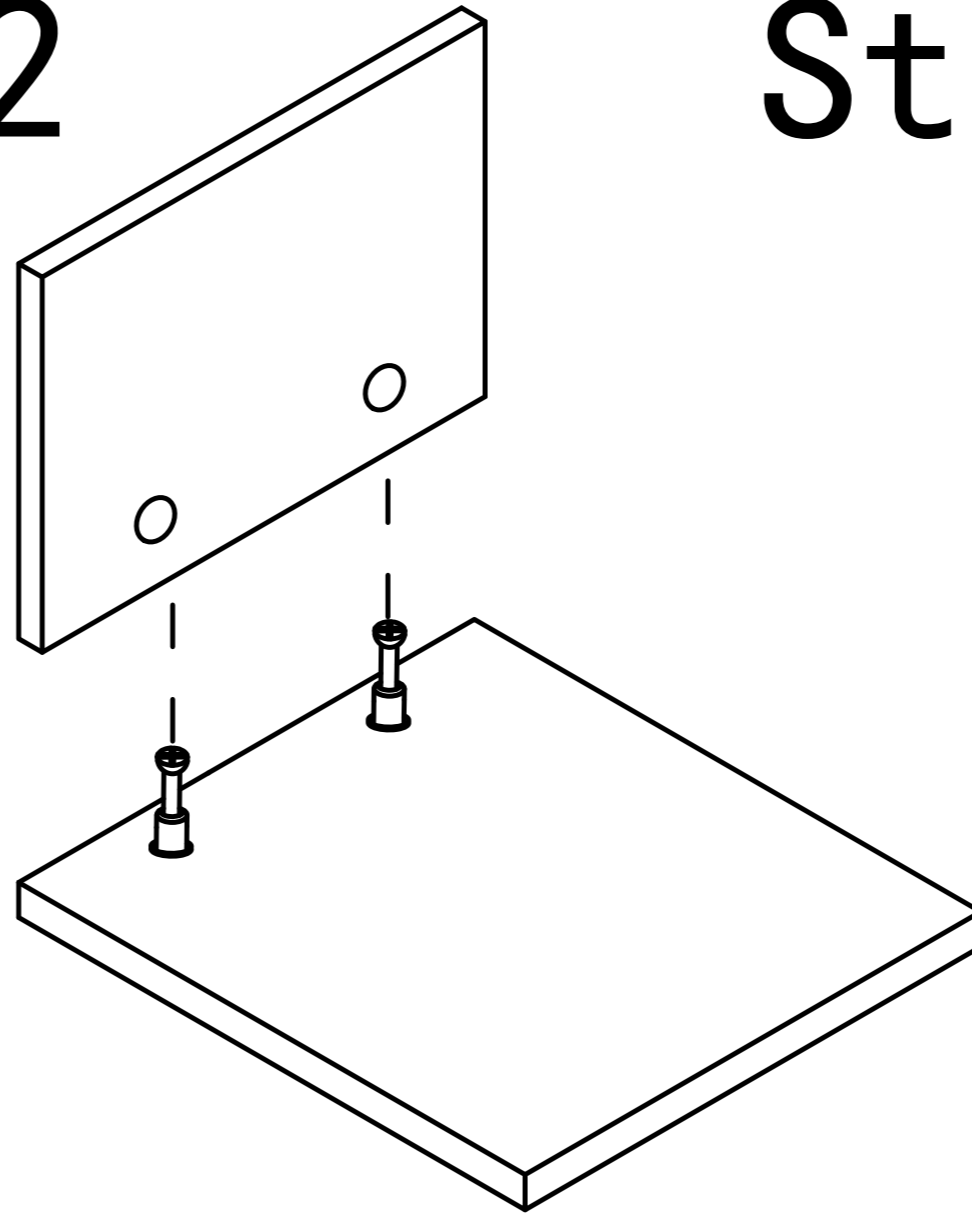


Use parts ① and ②

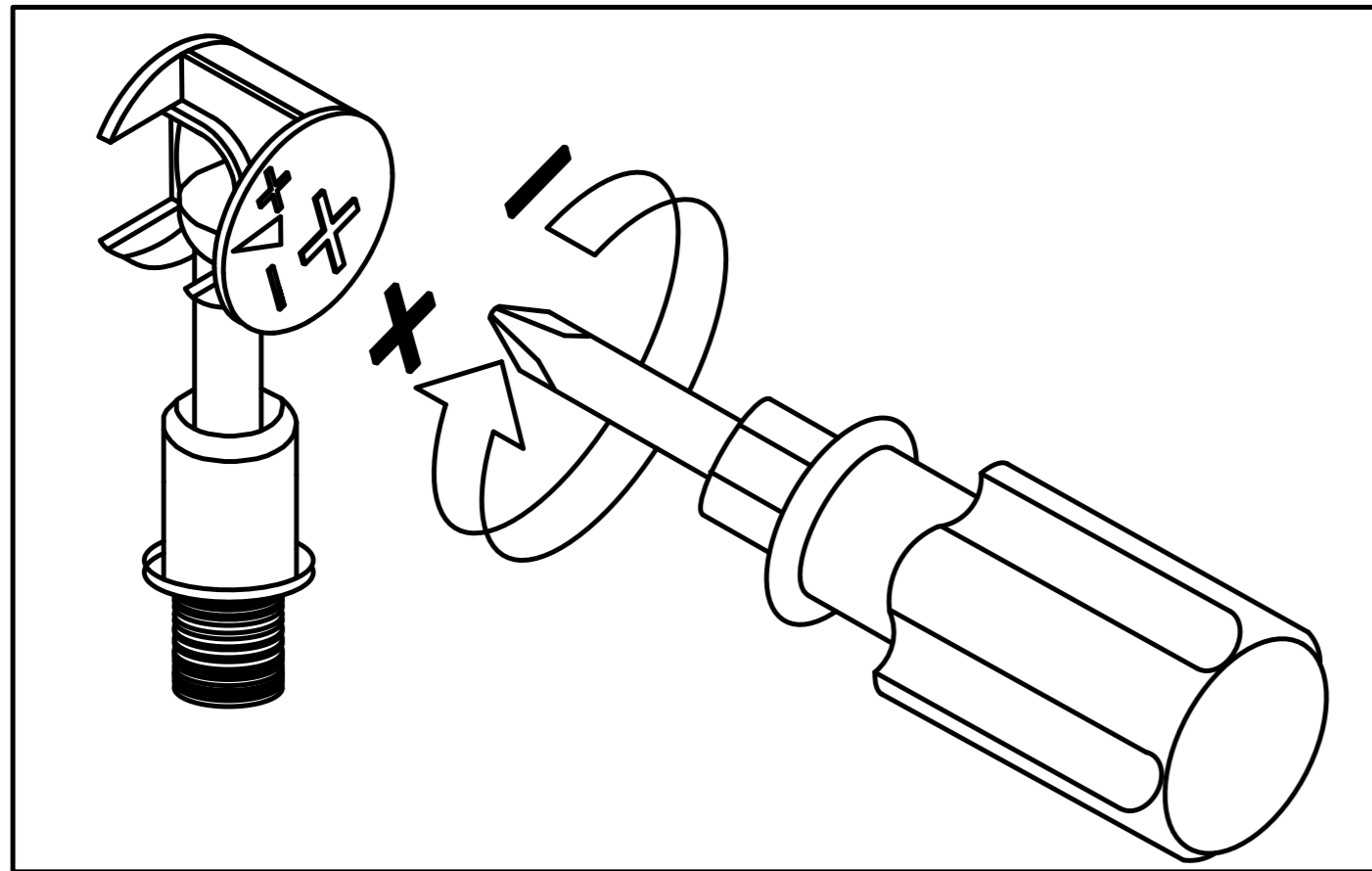
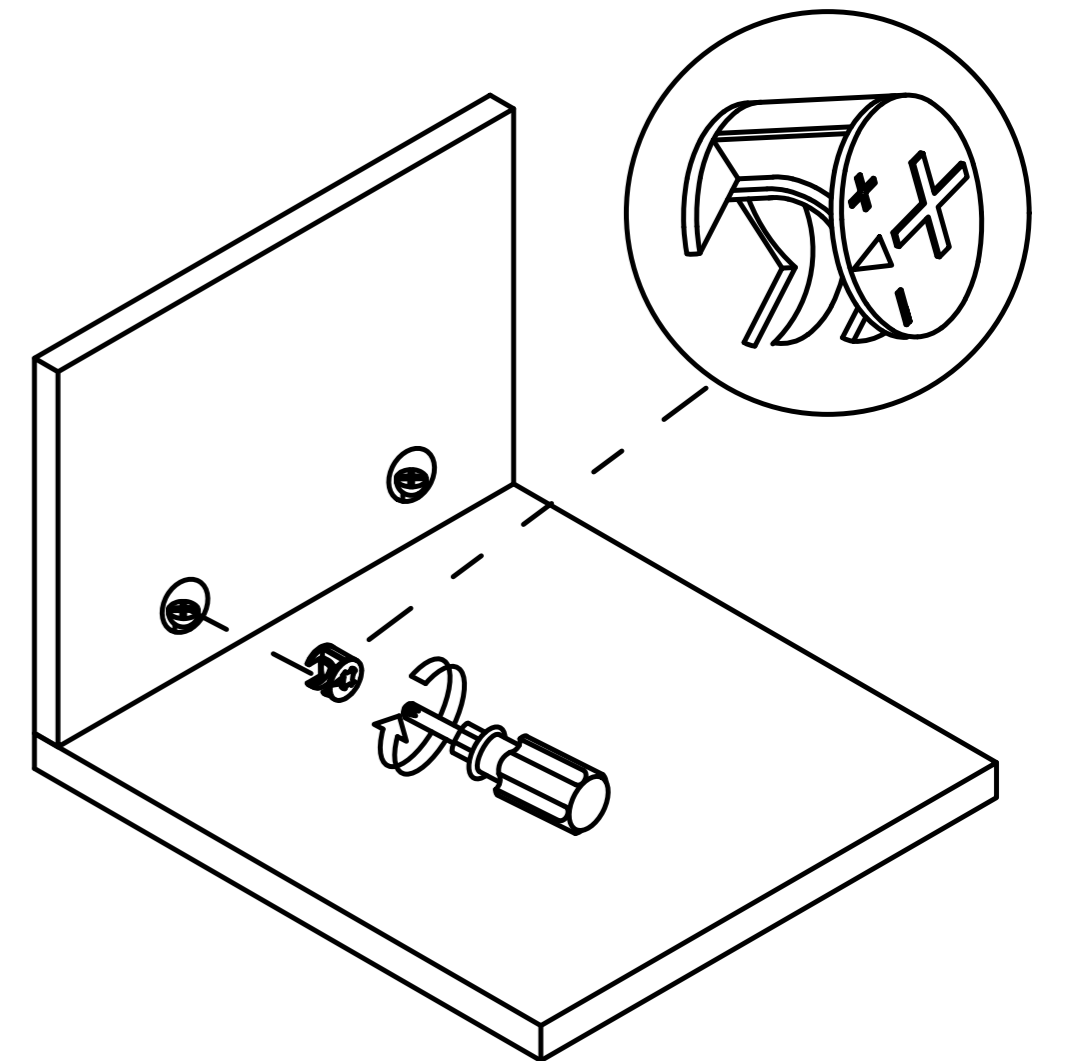
Step 1



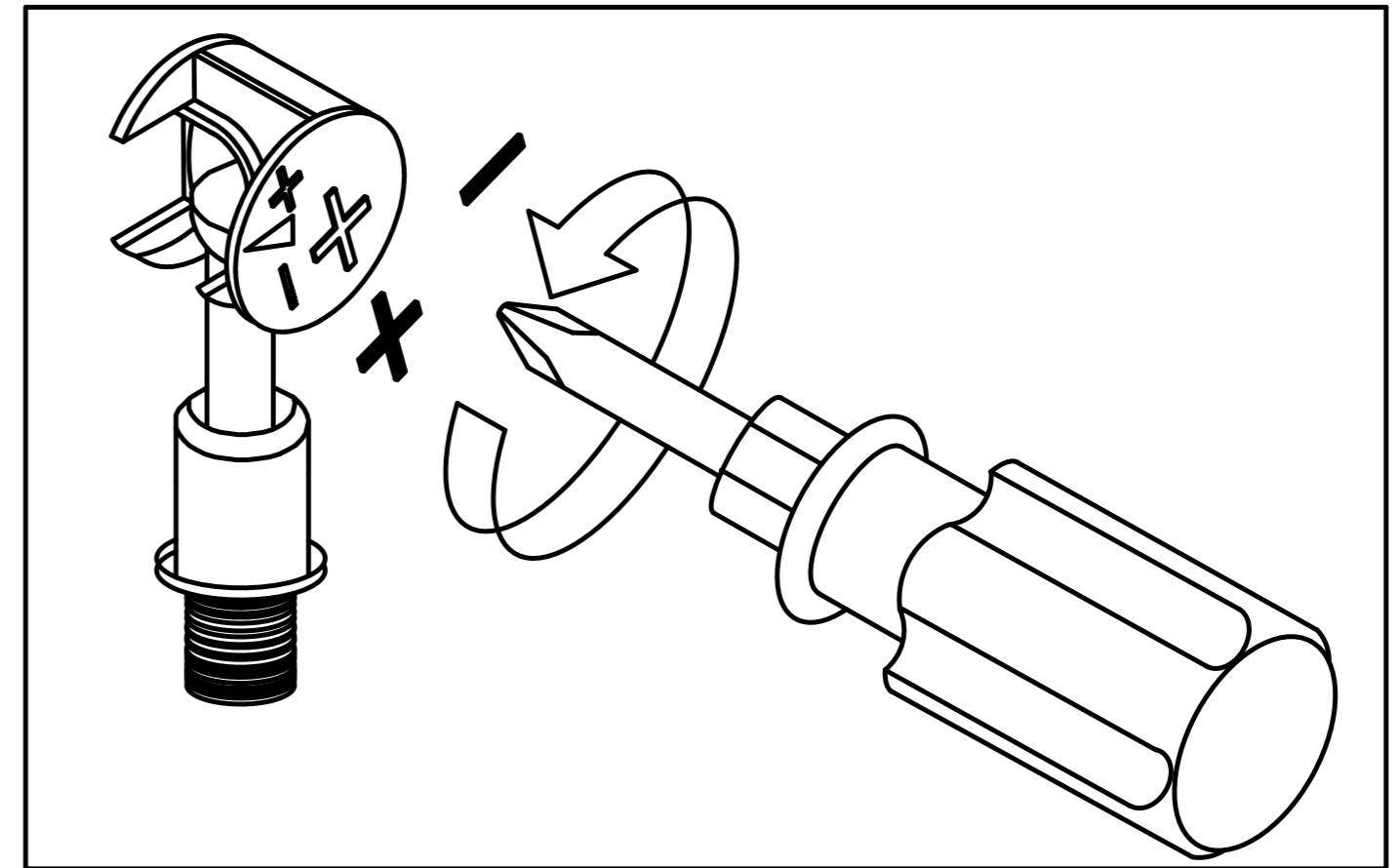
Step 2



Step 3

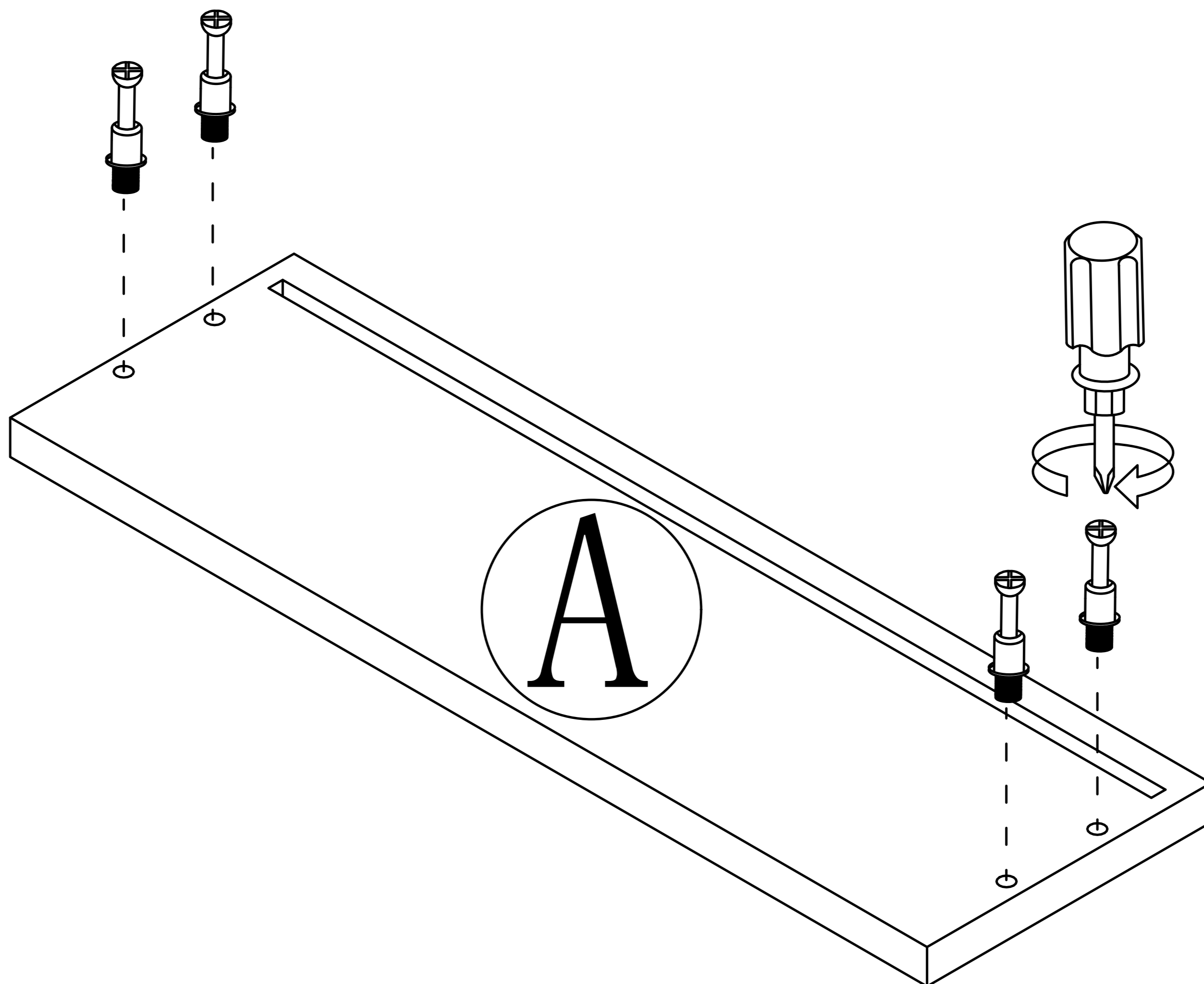
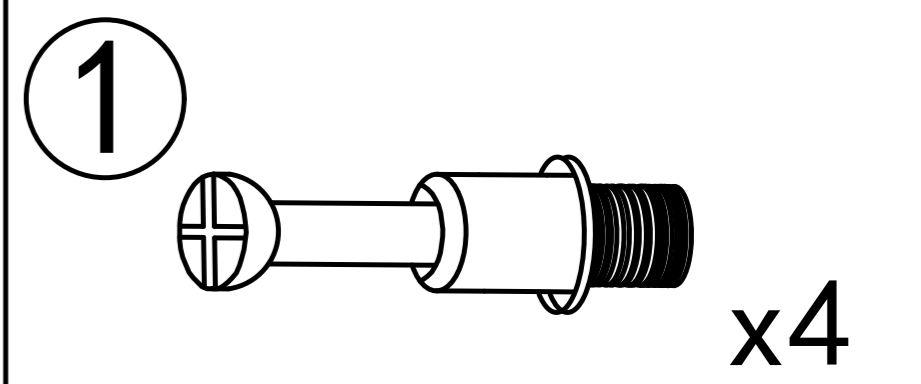


Use a screwdriver to lock in the direction of the "+" sign

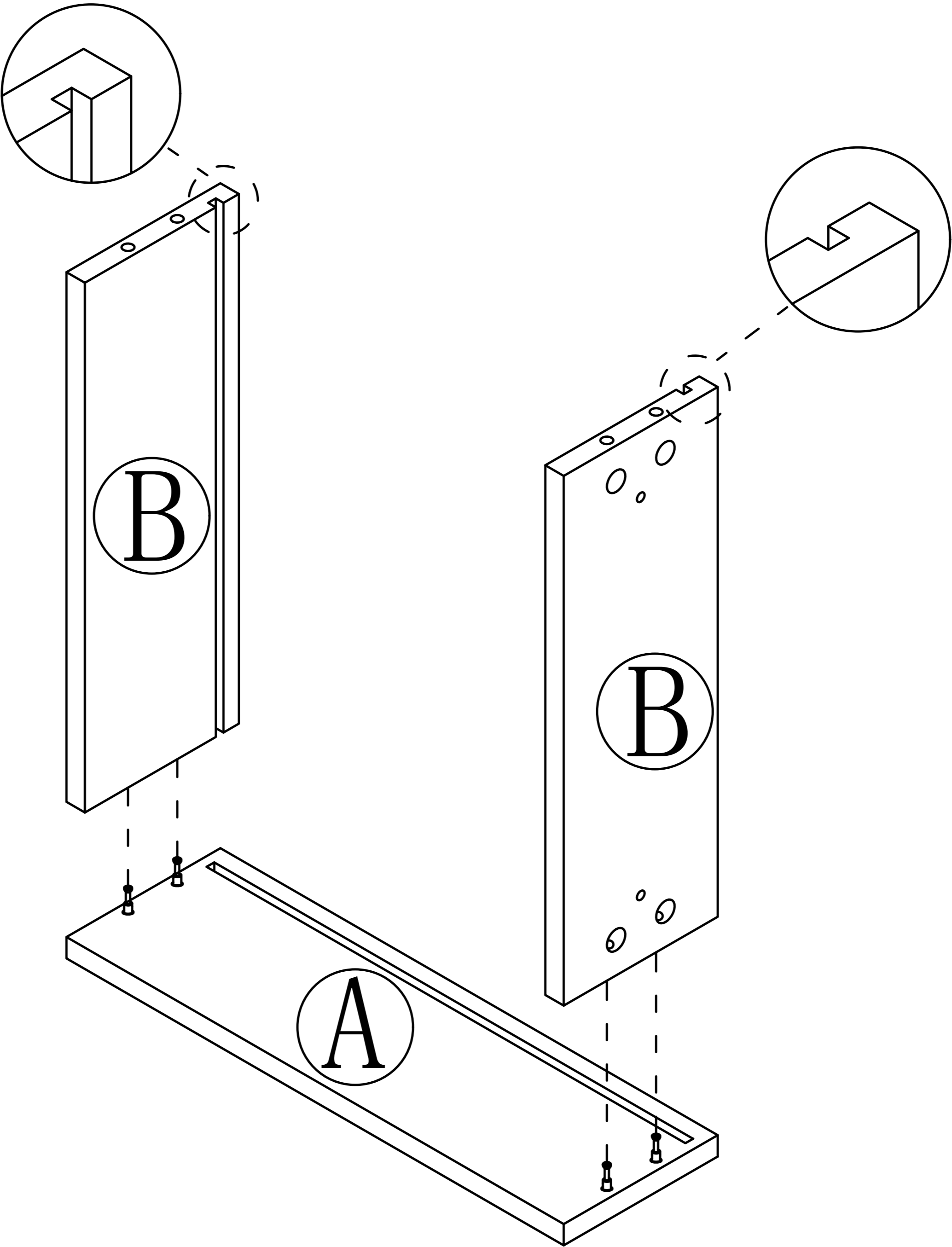


Disassemble along the direction of "-" sign

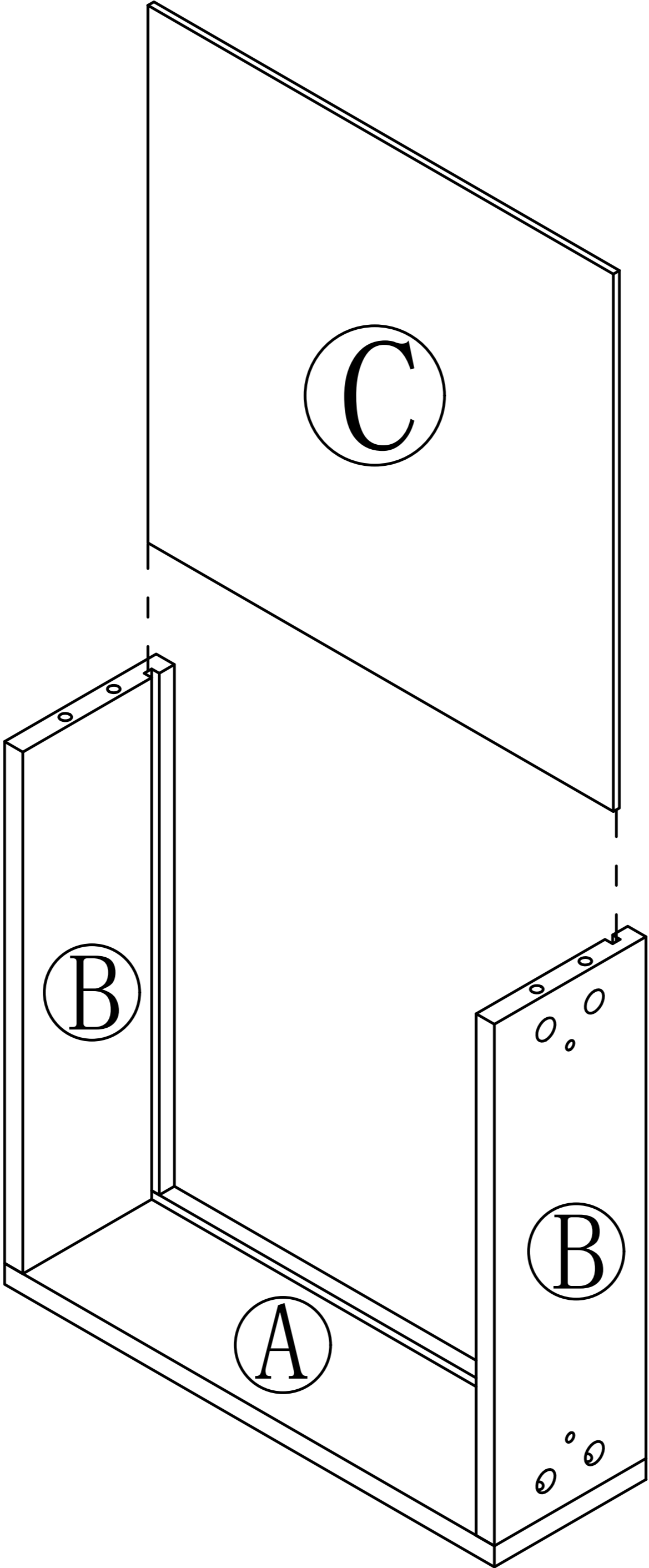
Step 1



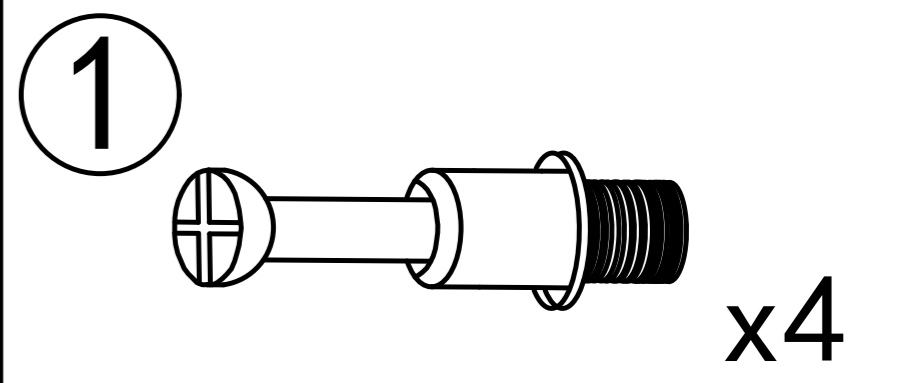
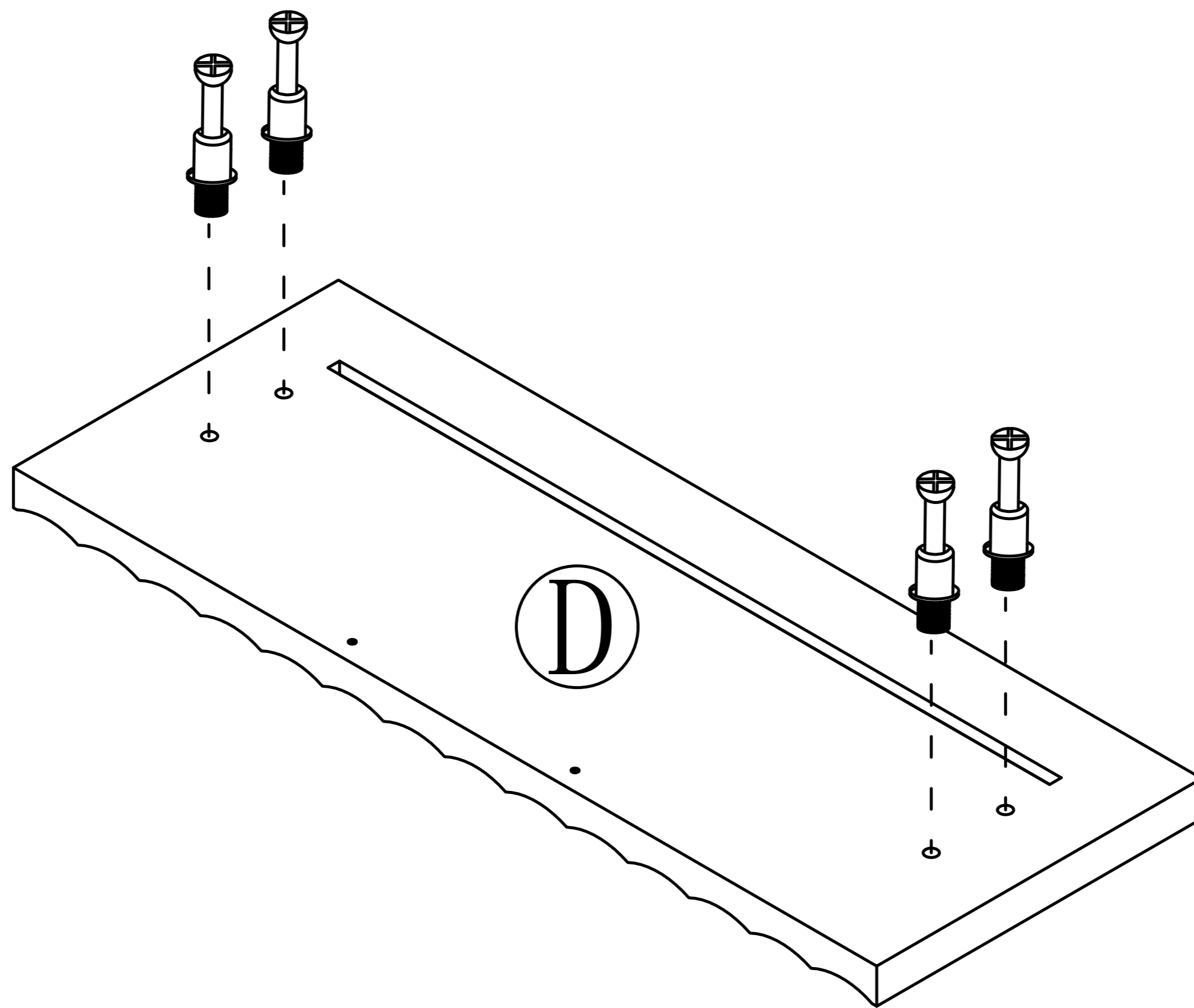
Step 2



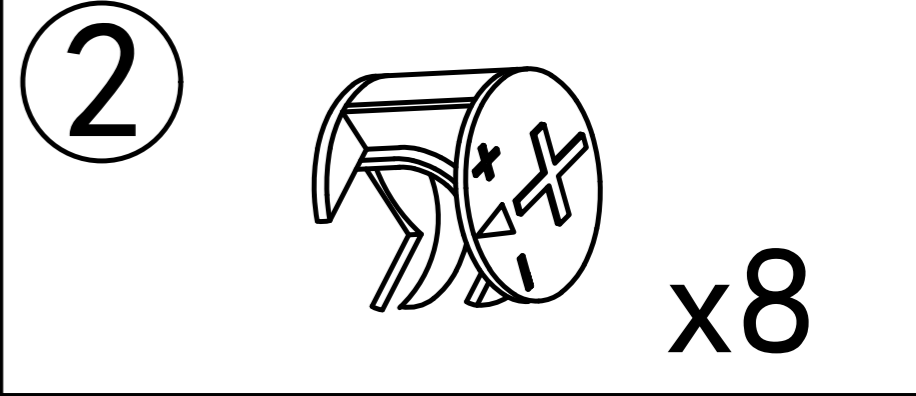
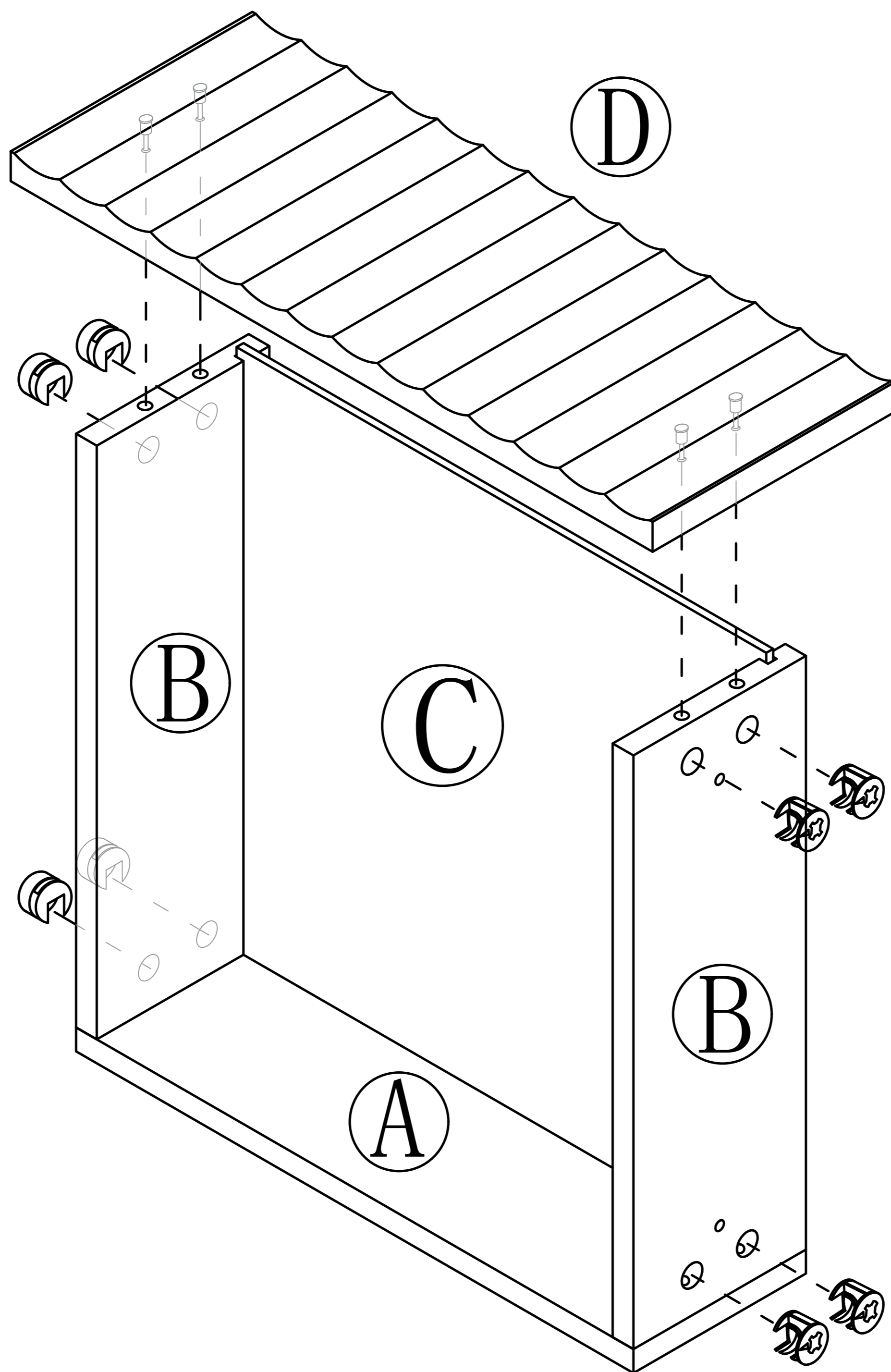
Step 3



Step 4

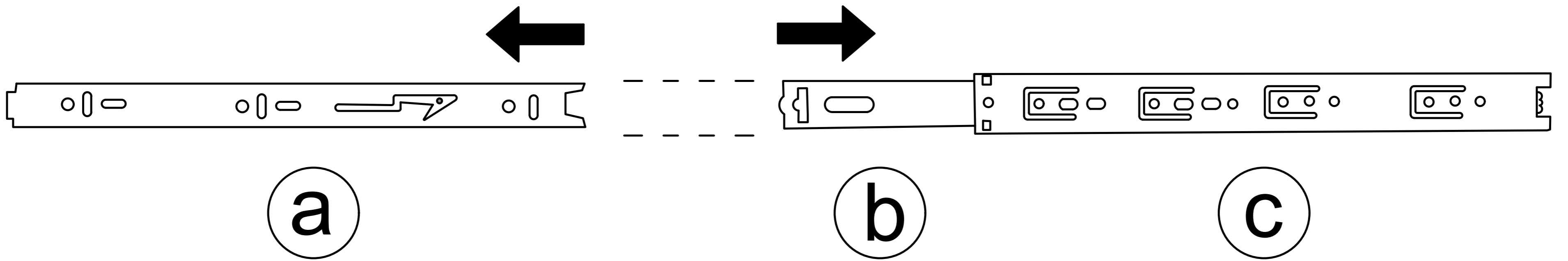


Step 5



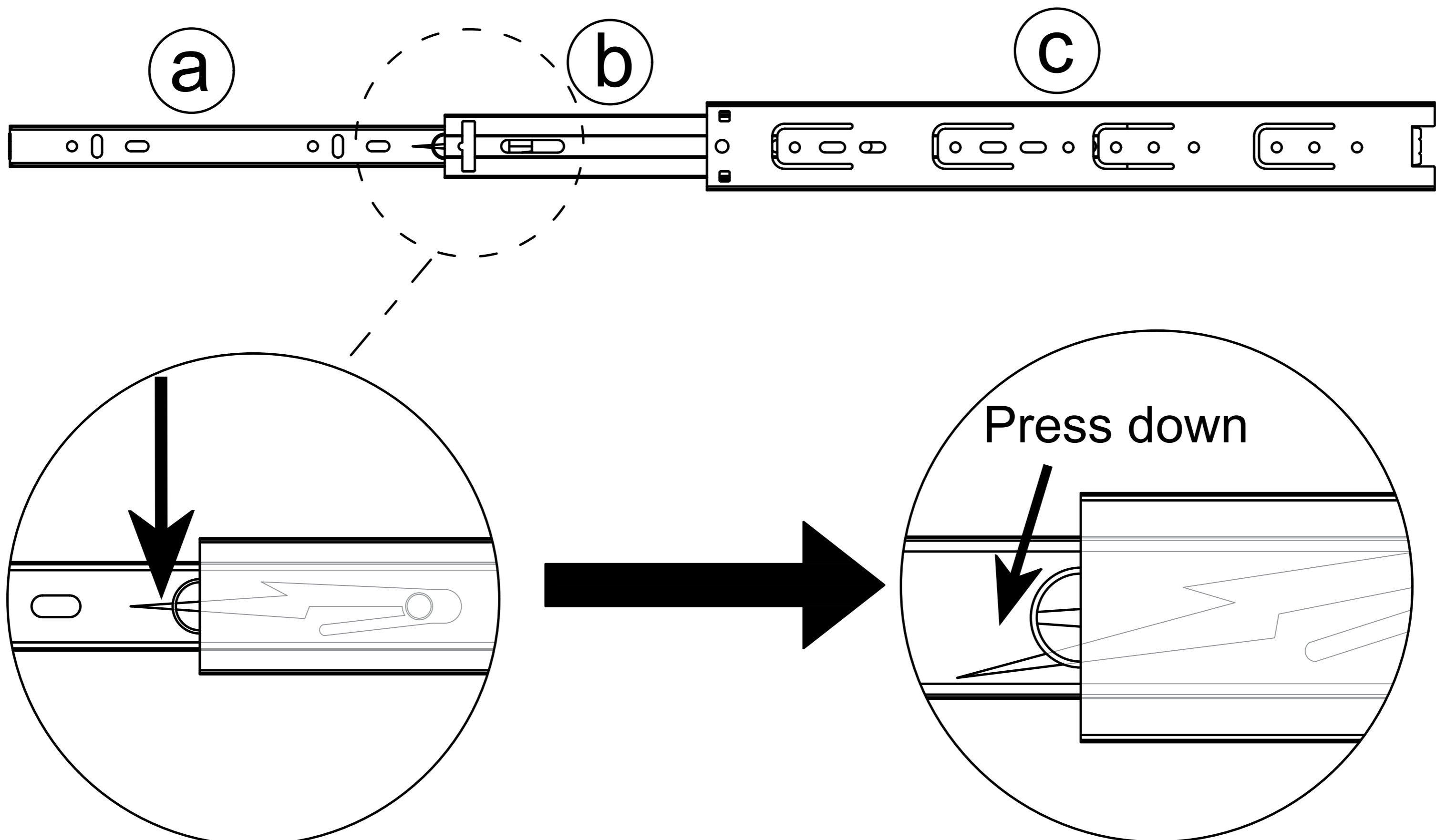
Use parts ⑤

Drawer rail breakdown diagram



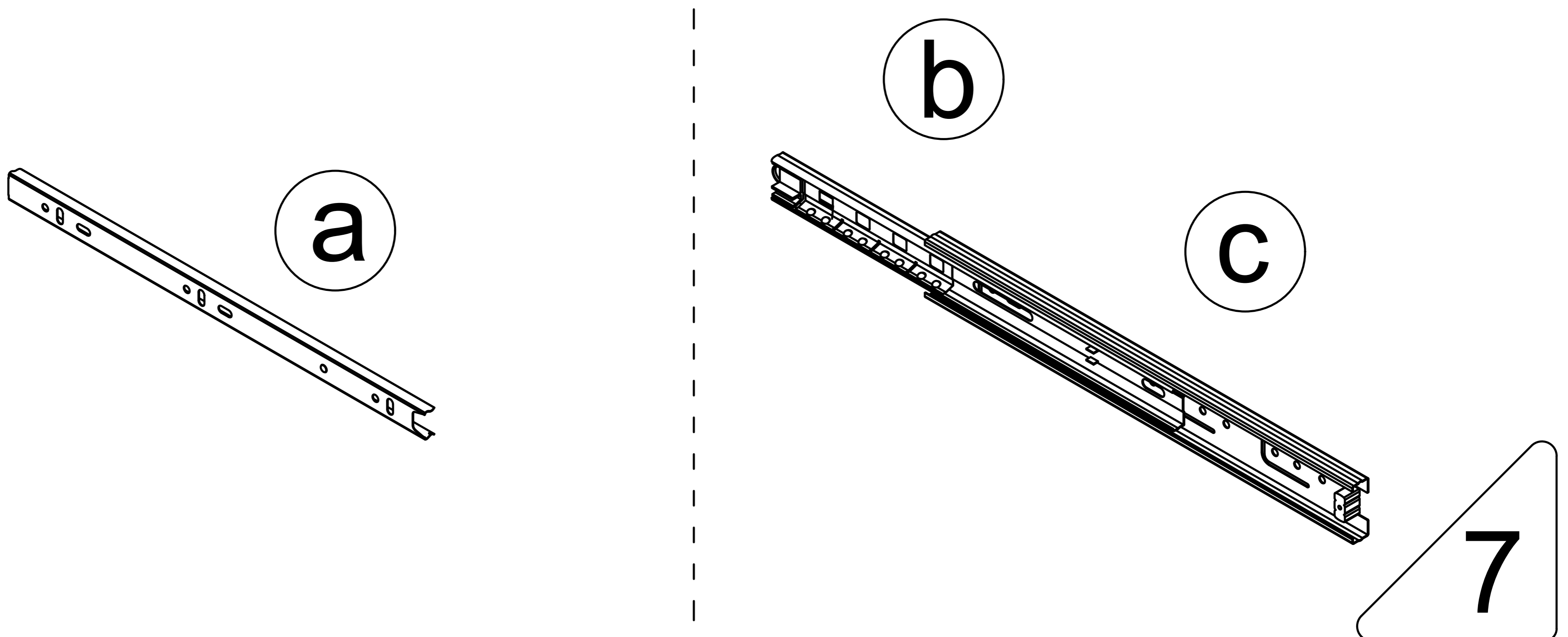
① Dismantle the schematic diagram

Step 1 : Pull the rails apart

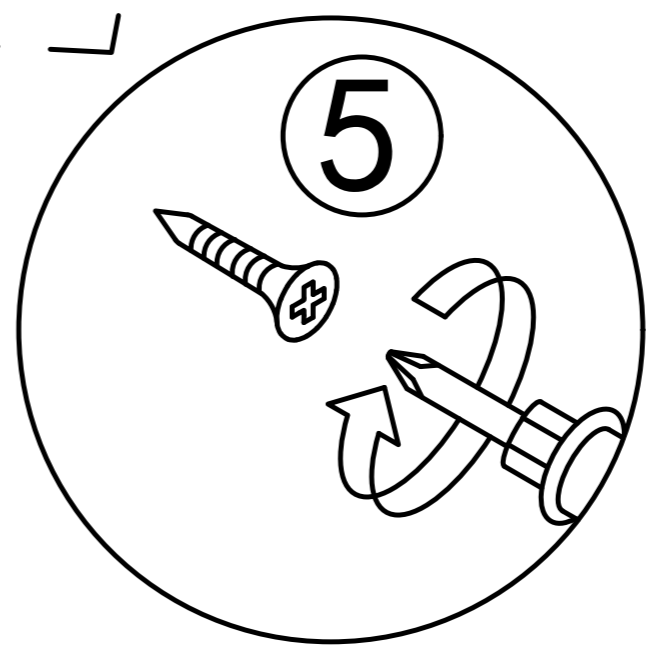
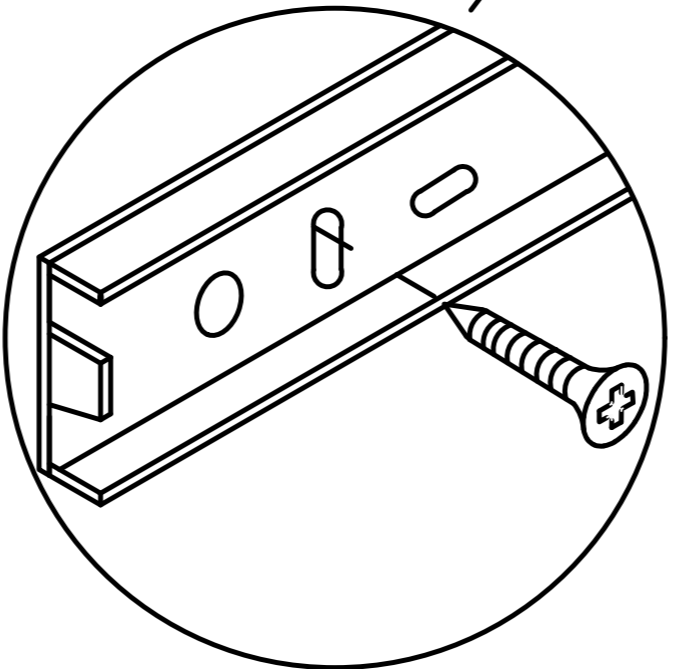
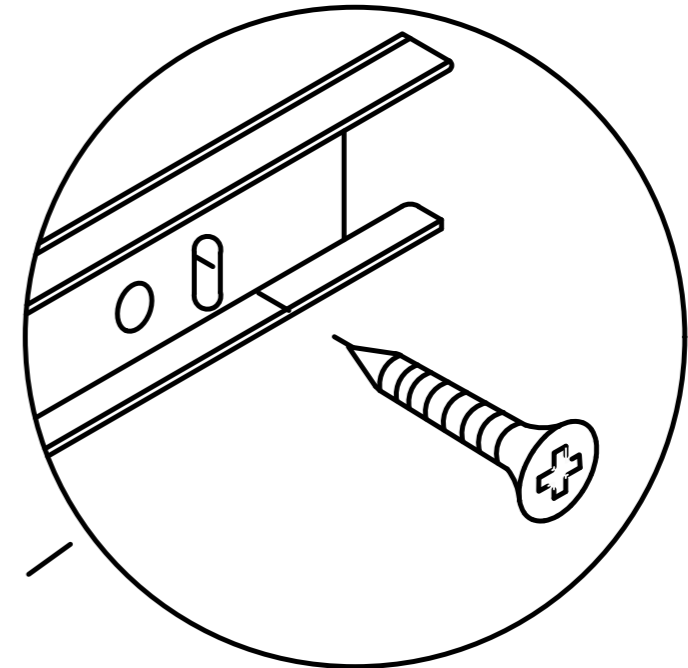
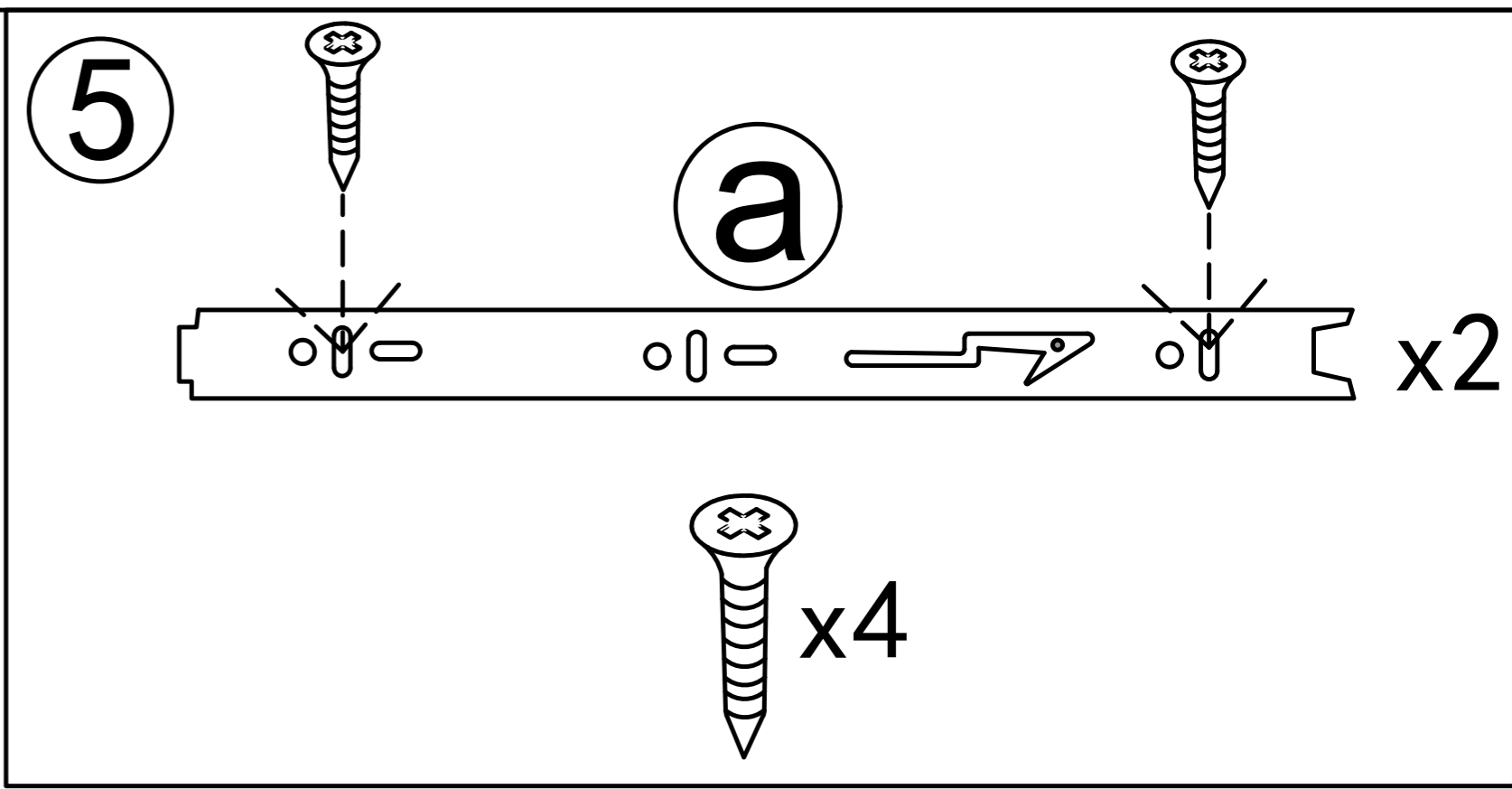
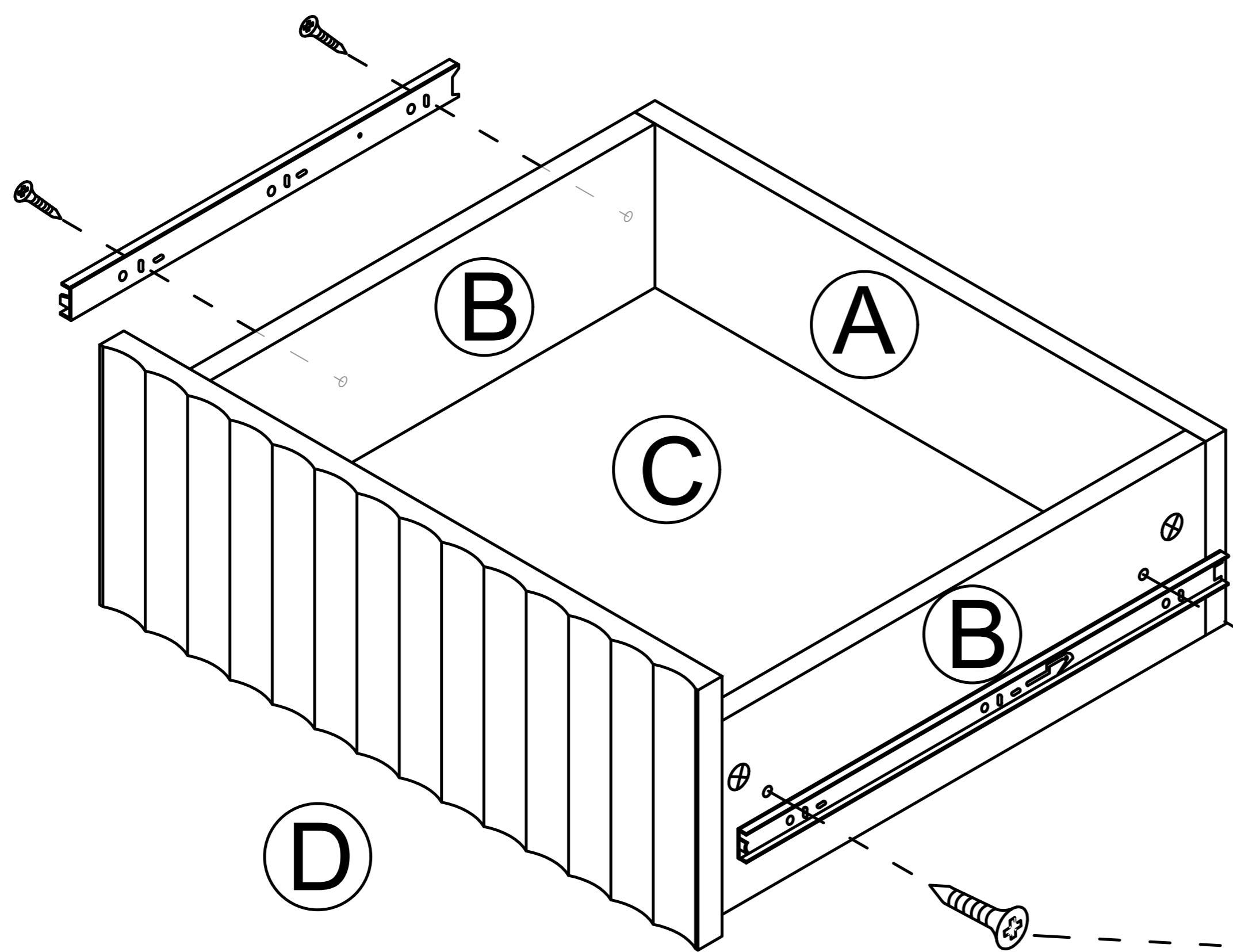


Step 2 : Press the nylon button and pull out (a).

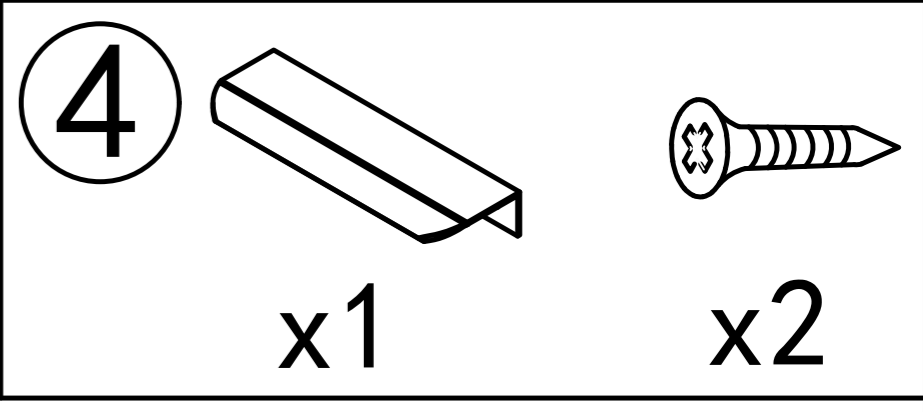
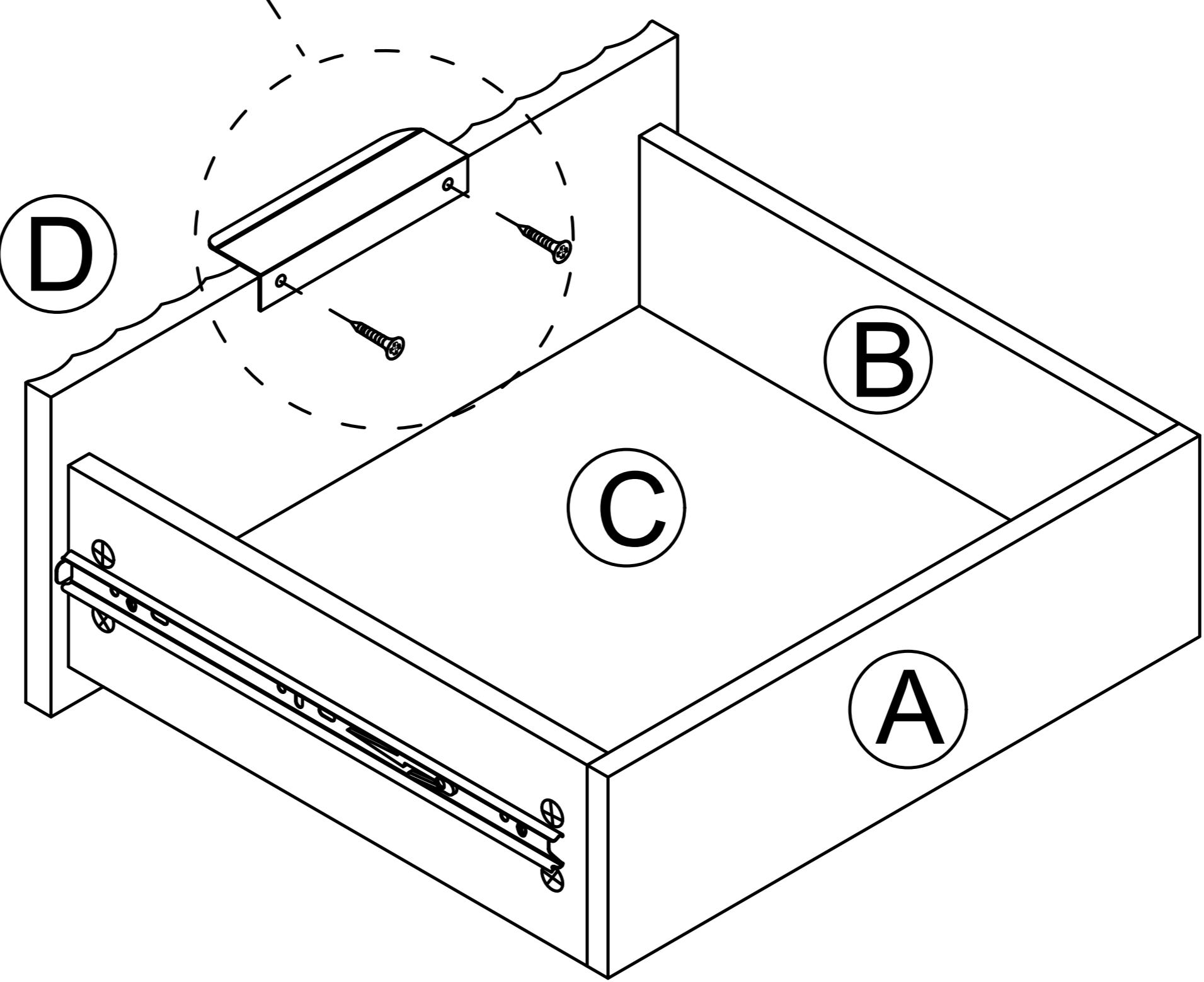
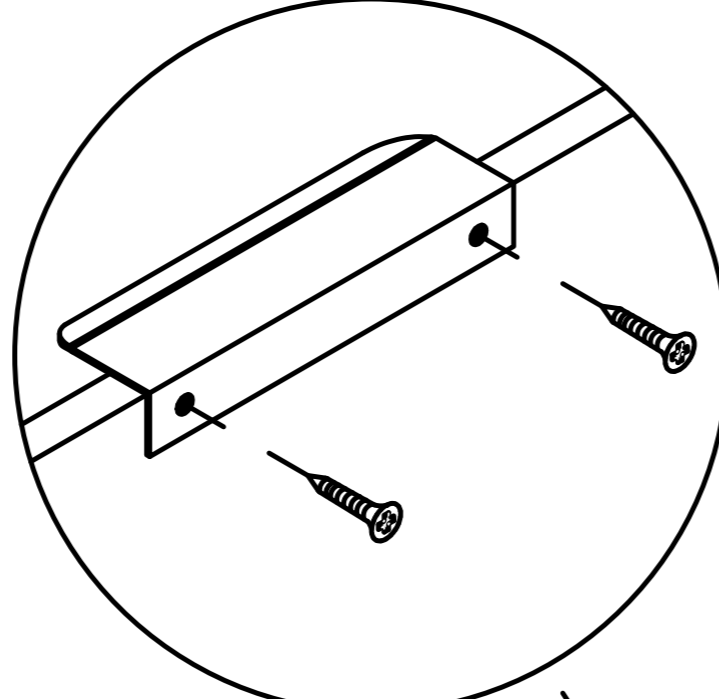
Drawer rail decomposition completed schematic diagram



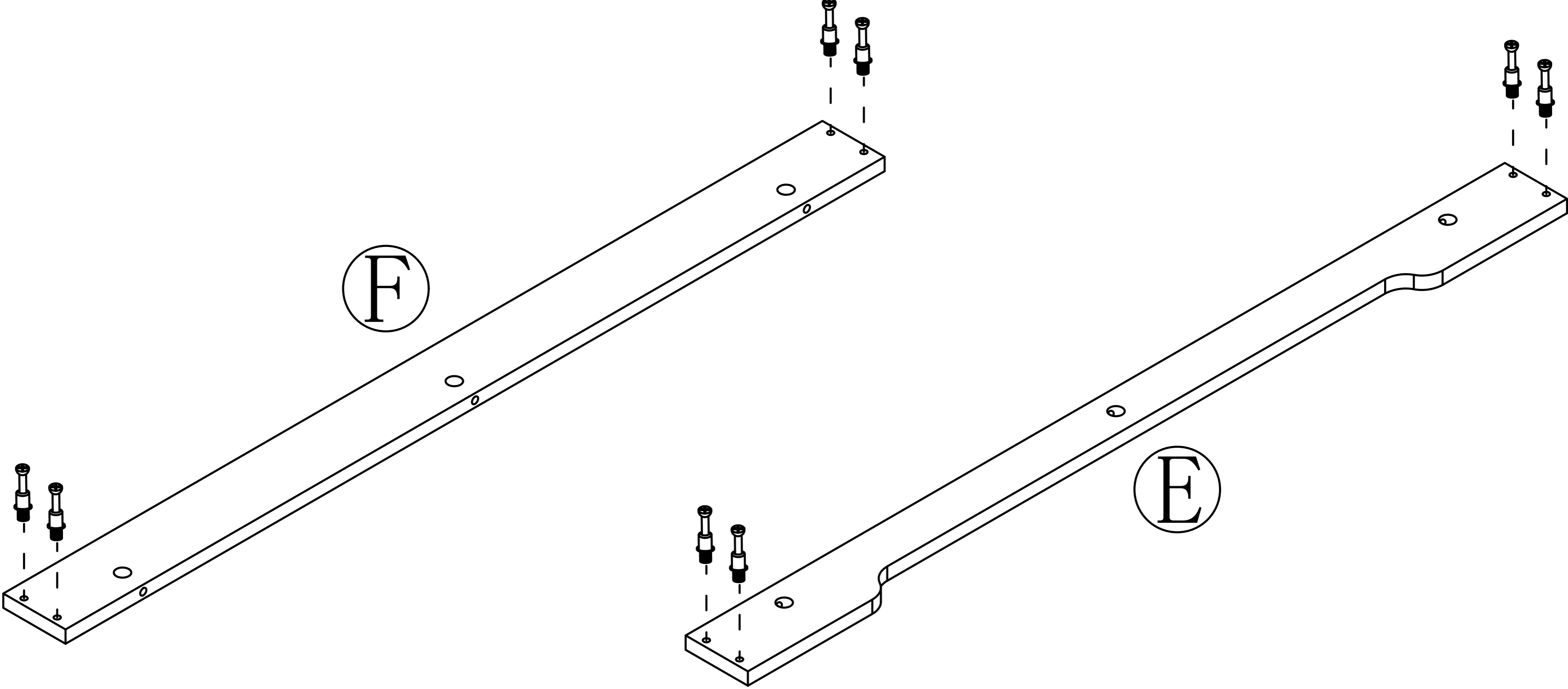
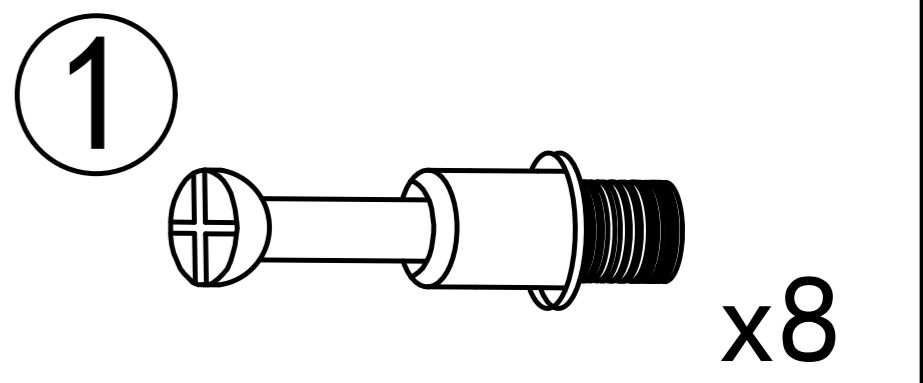
Step 6



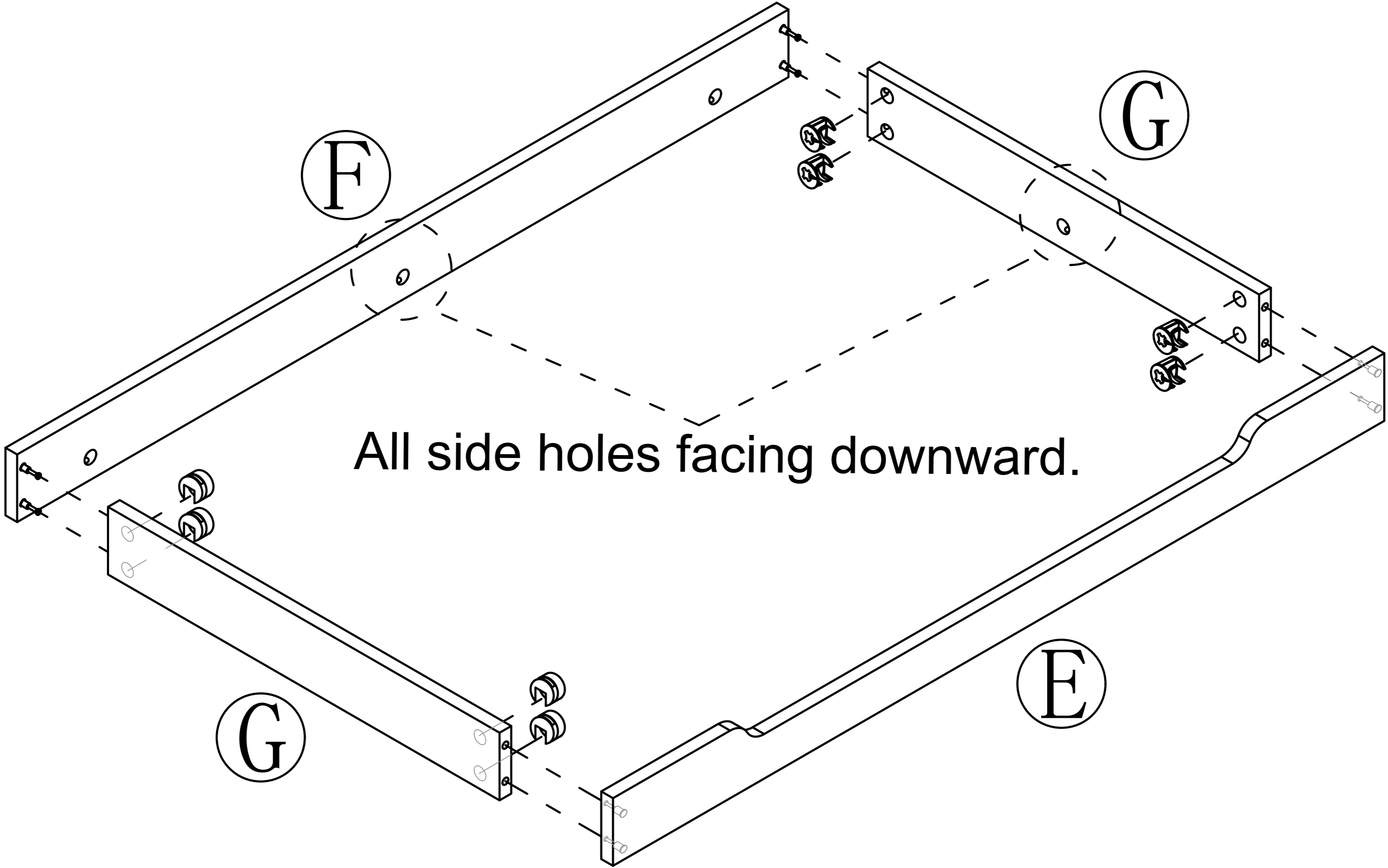
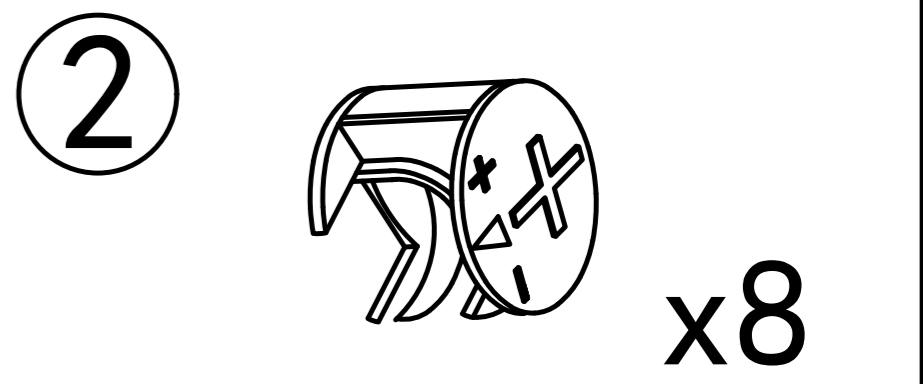
Step 7



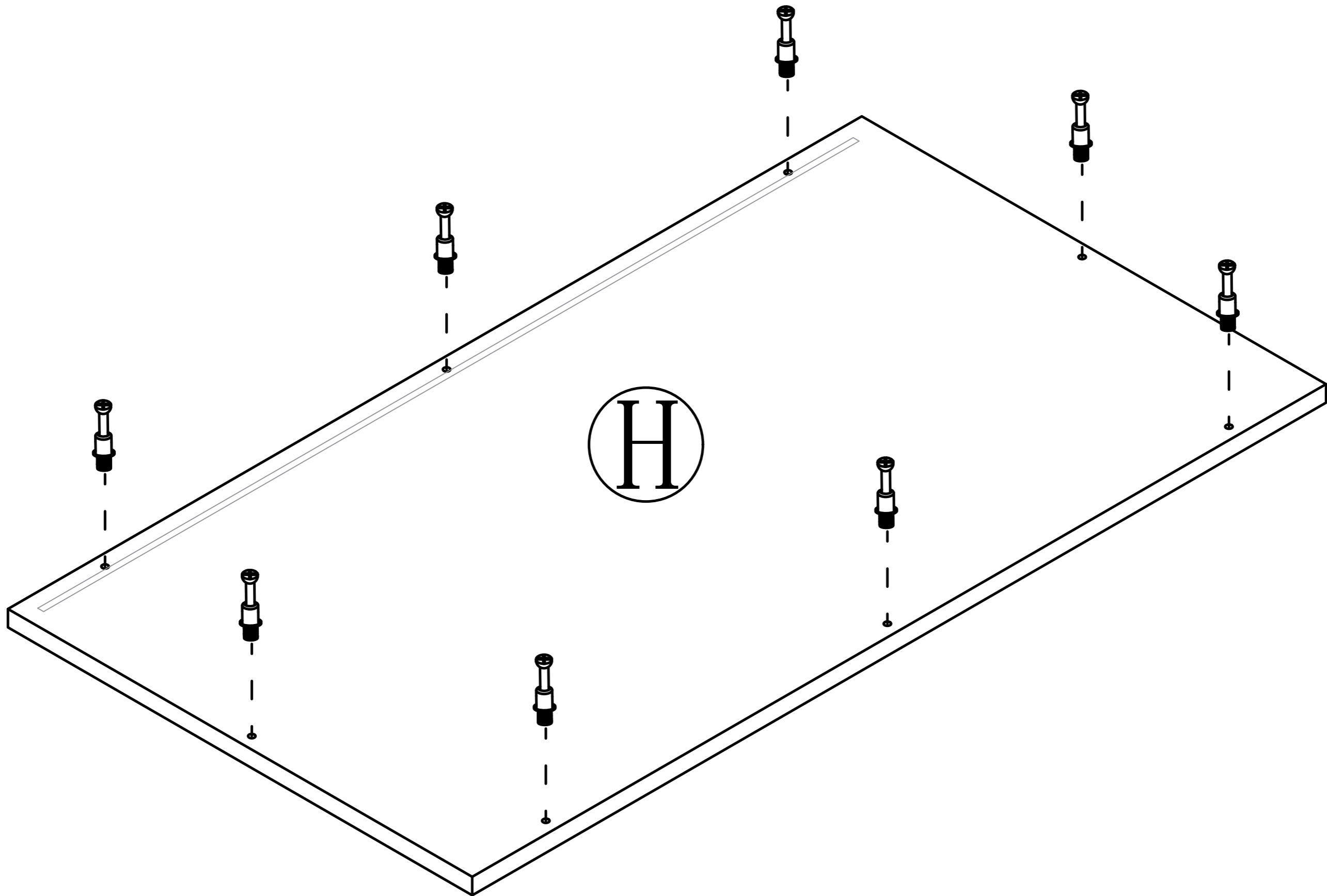
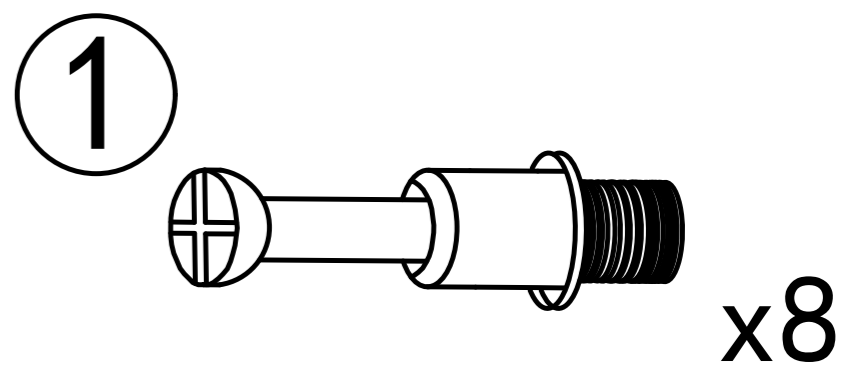
Step 8



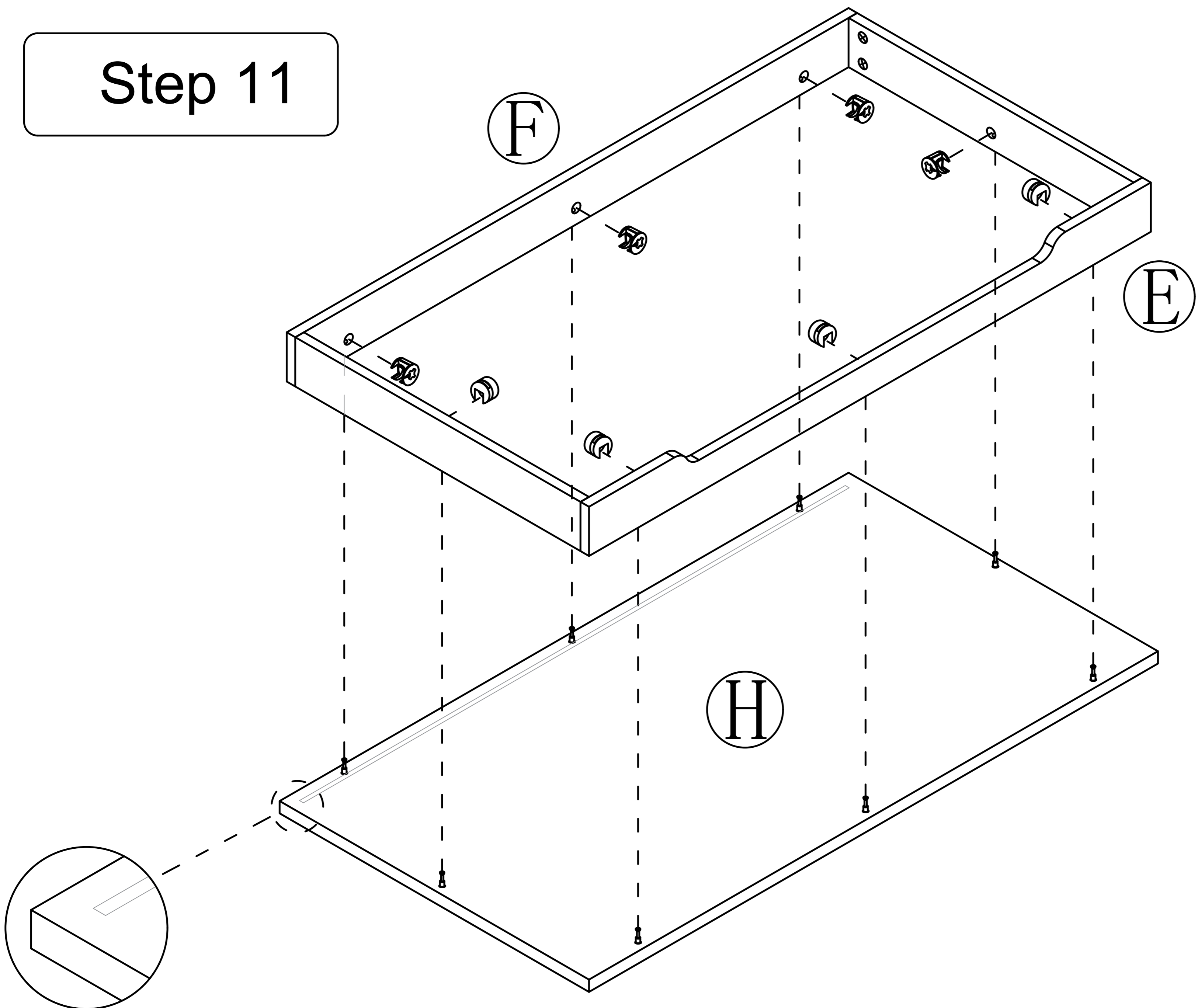
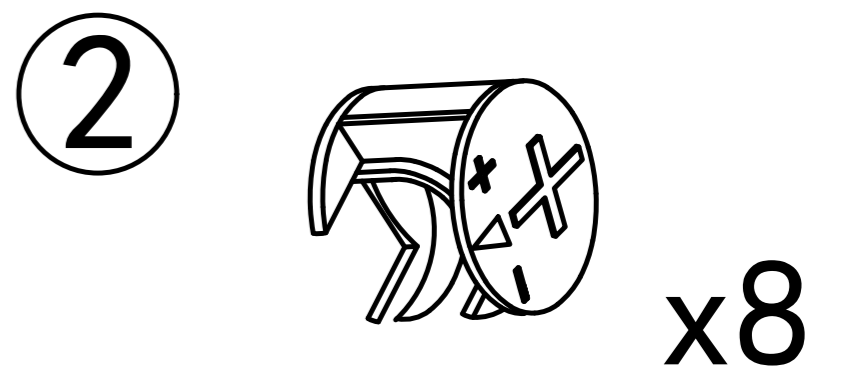
Step 9



Step 10

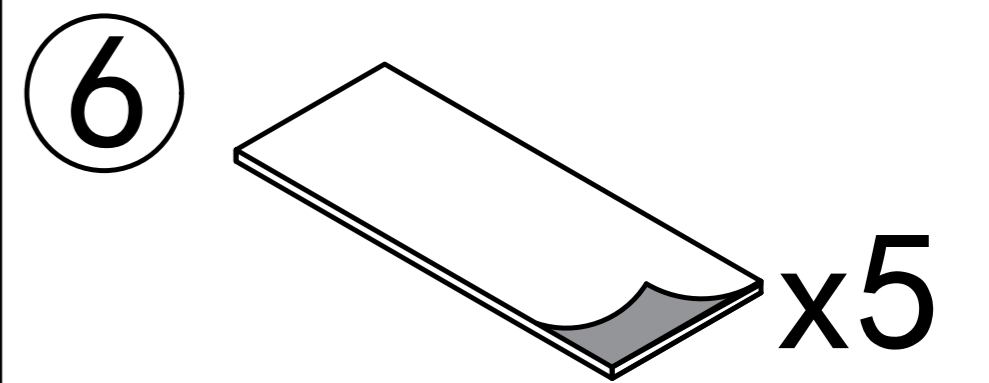


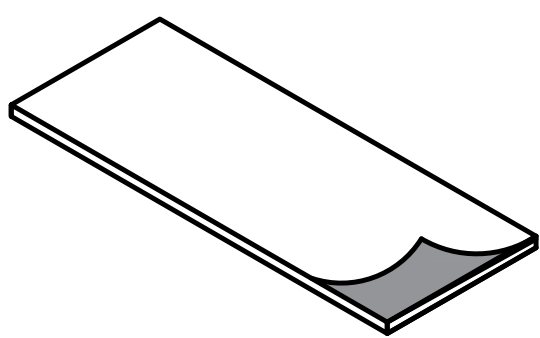
Step 11

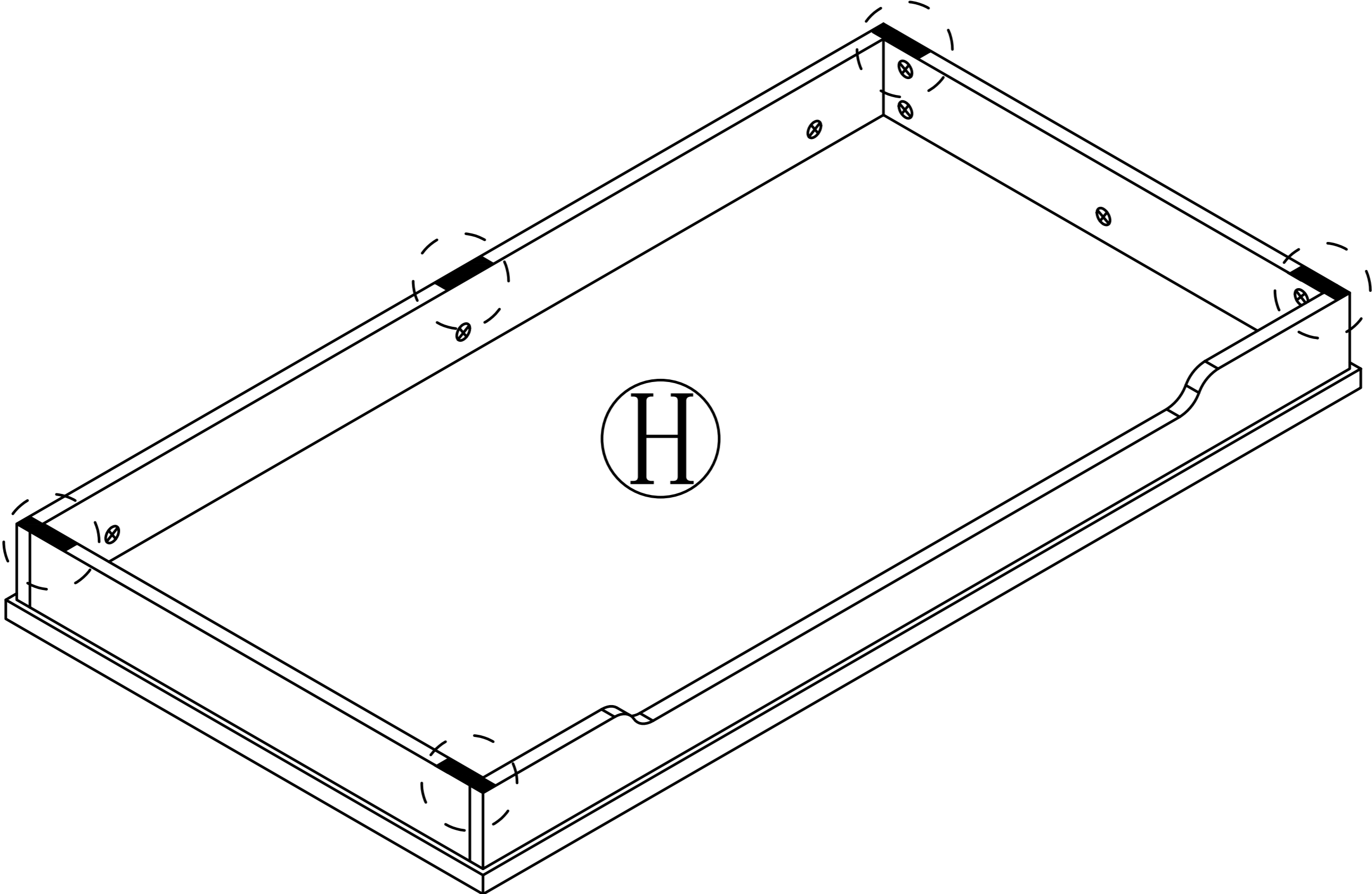


Pay attention to the position of the back slot.

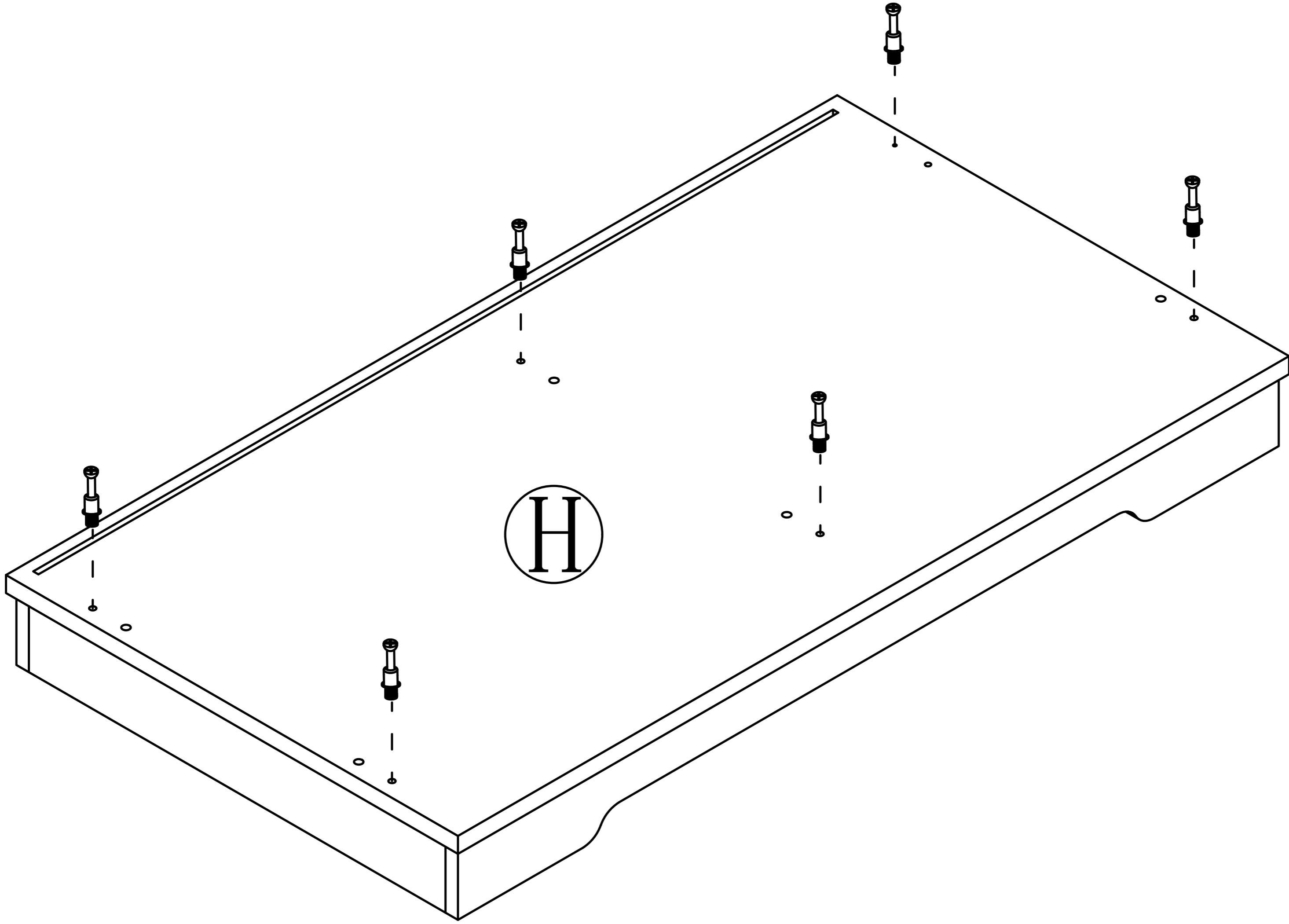
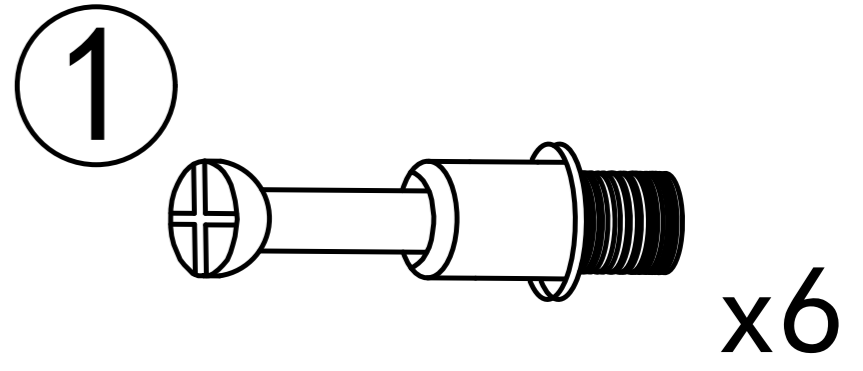
Step 12



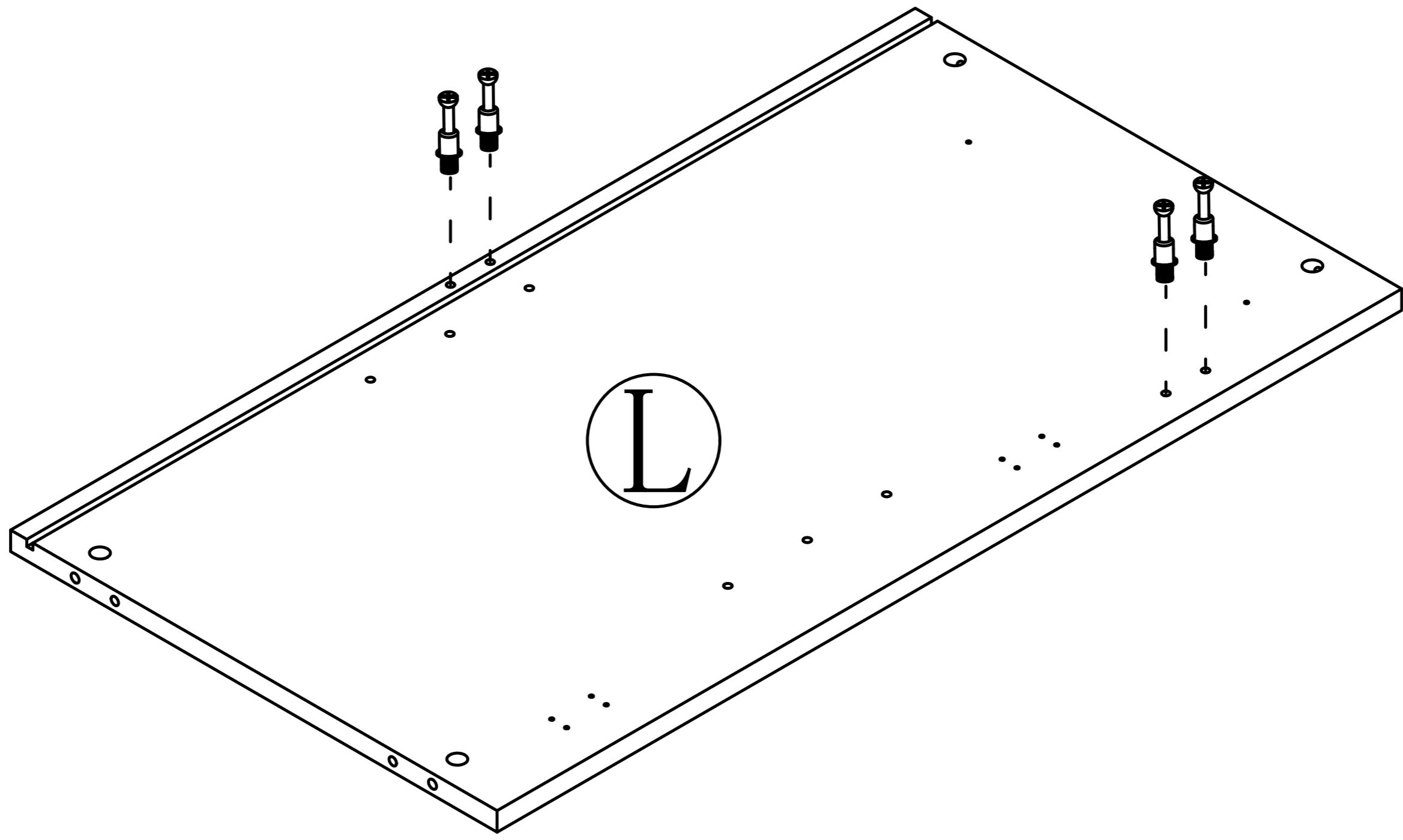
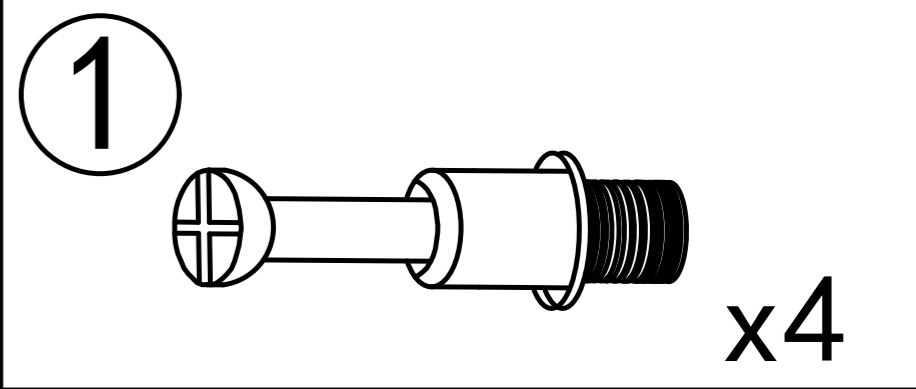
6  x5
Tear off release paper and stick the black foot pad on the board



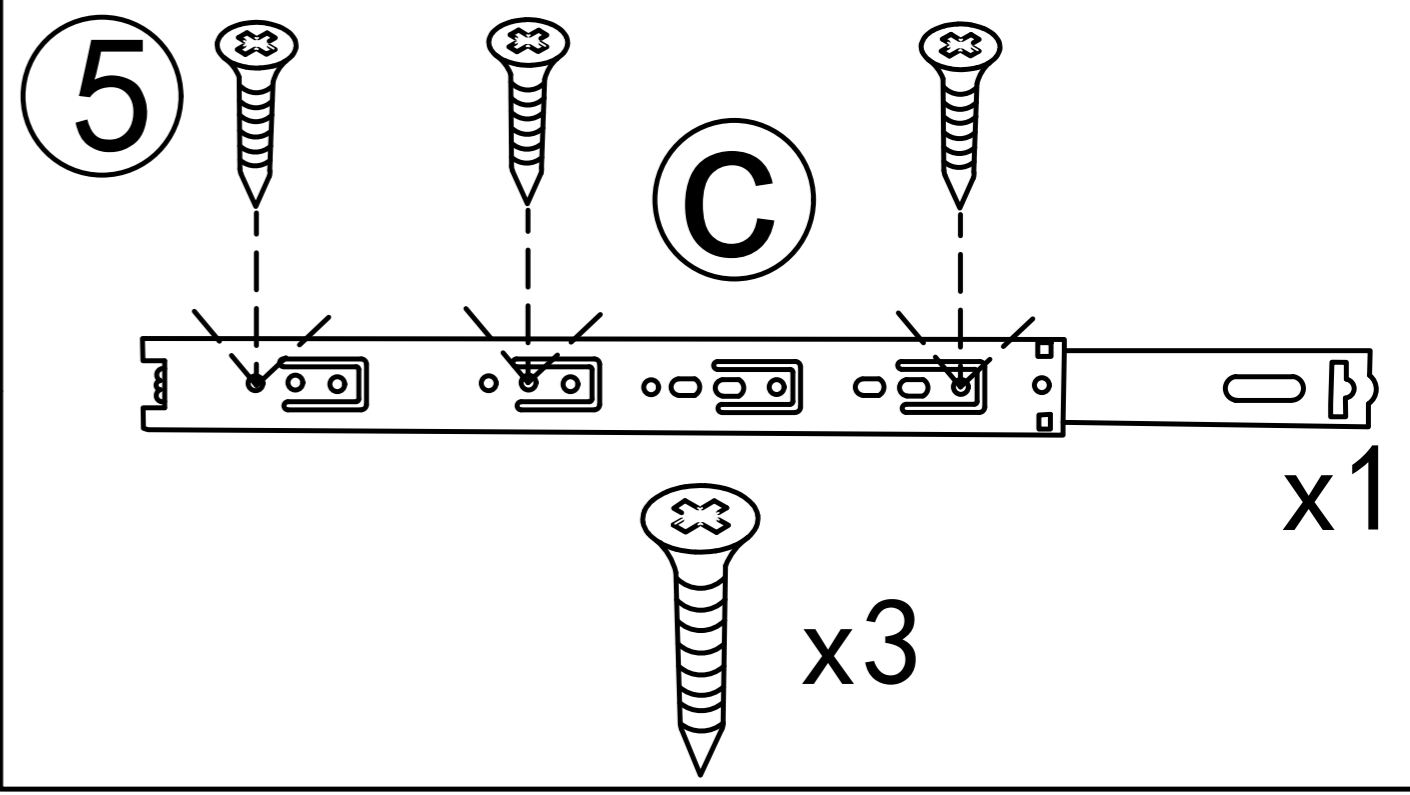
Step 13



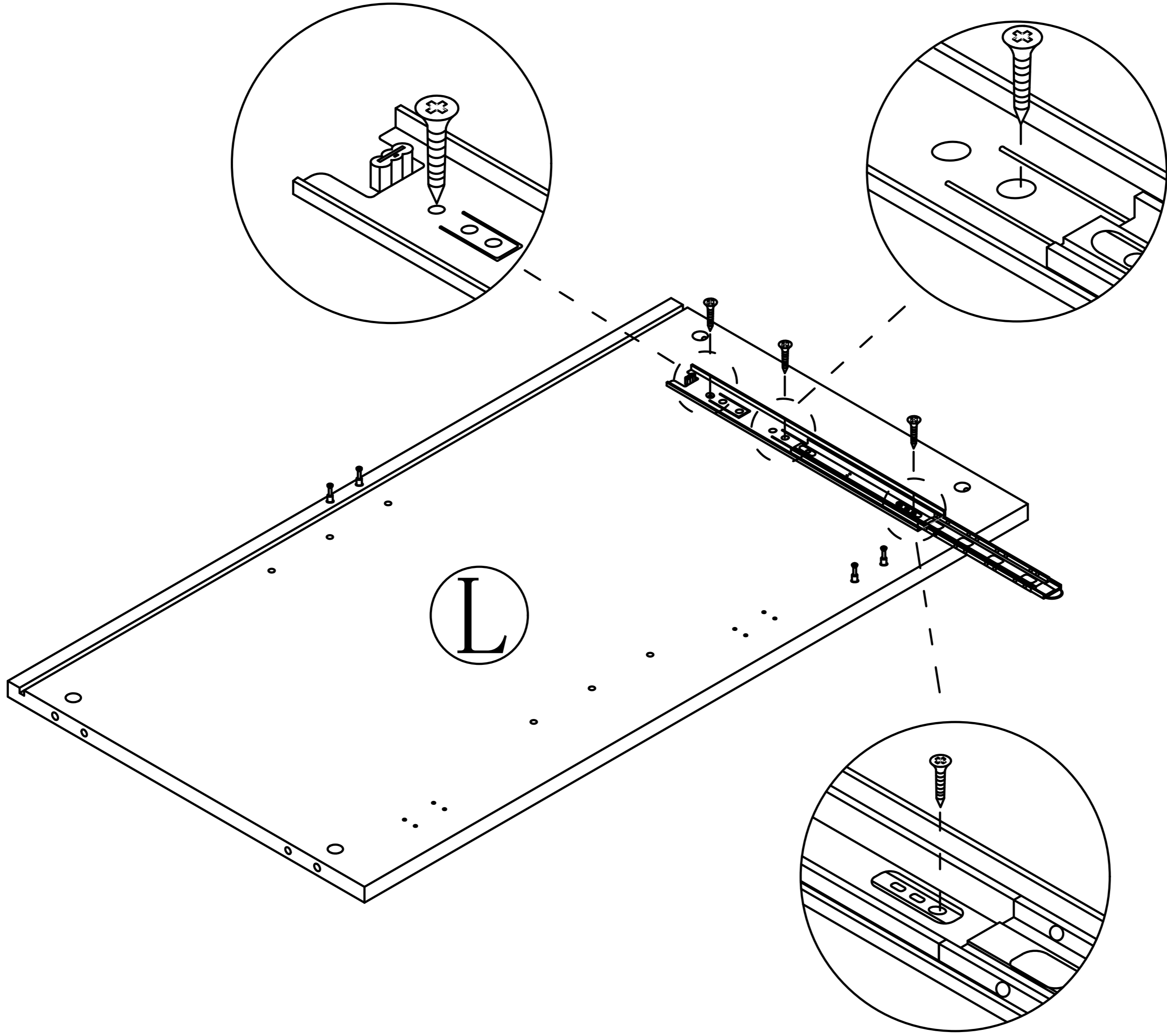
Step 14



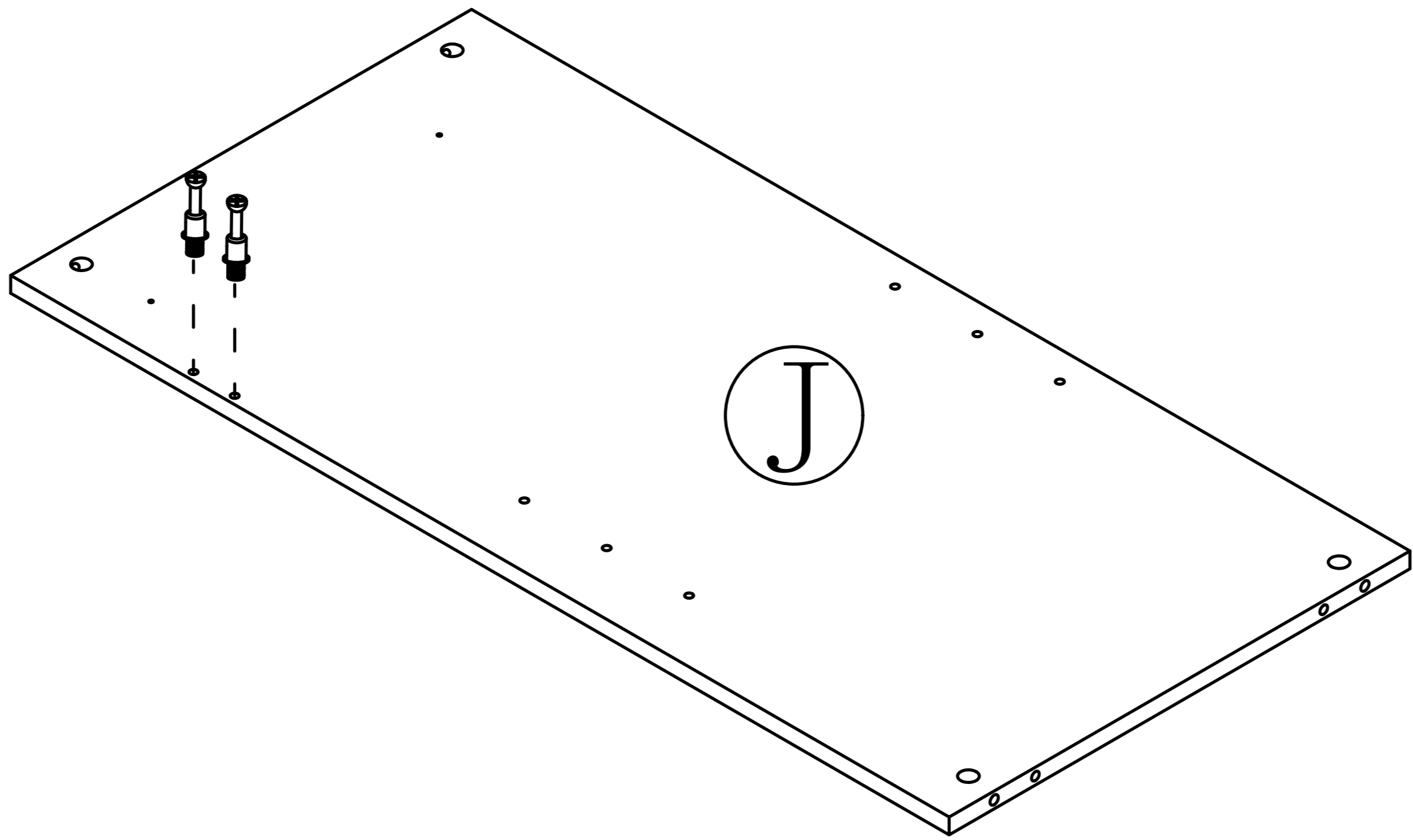
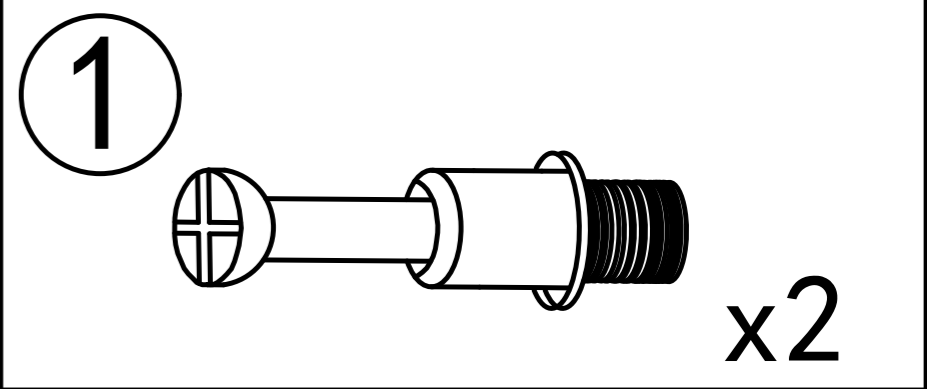
Step 15



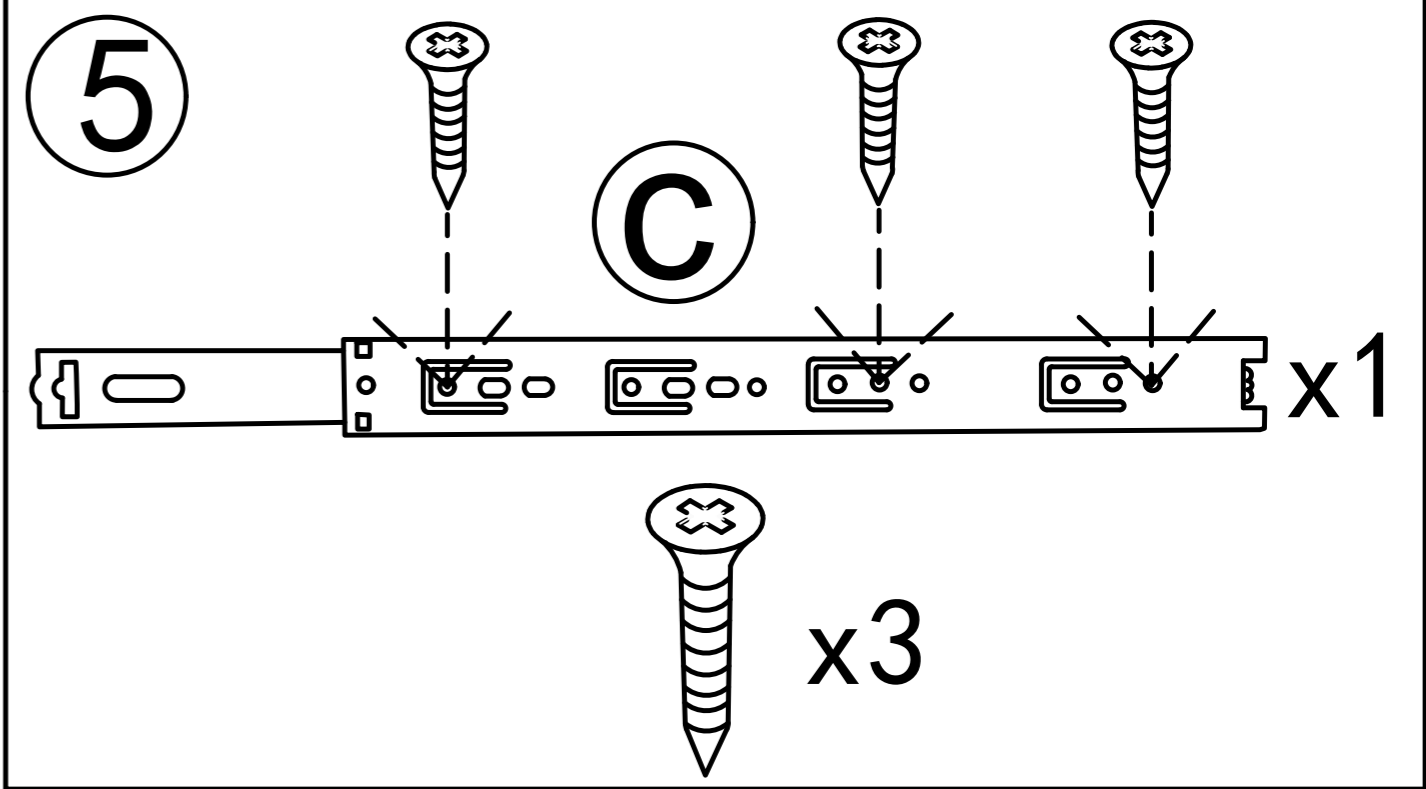
This hole is a reinforced fixing hole which can be installed as required



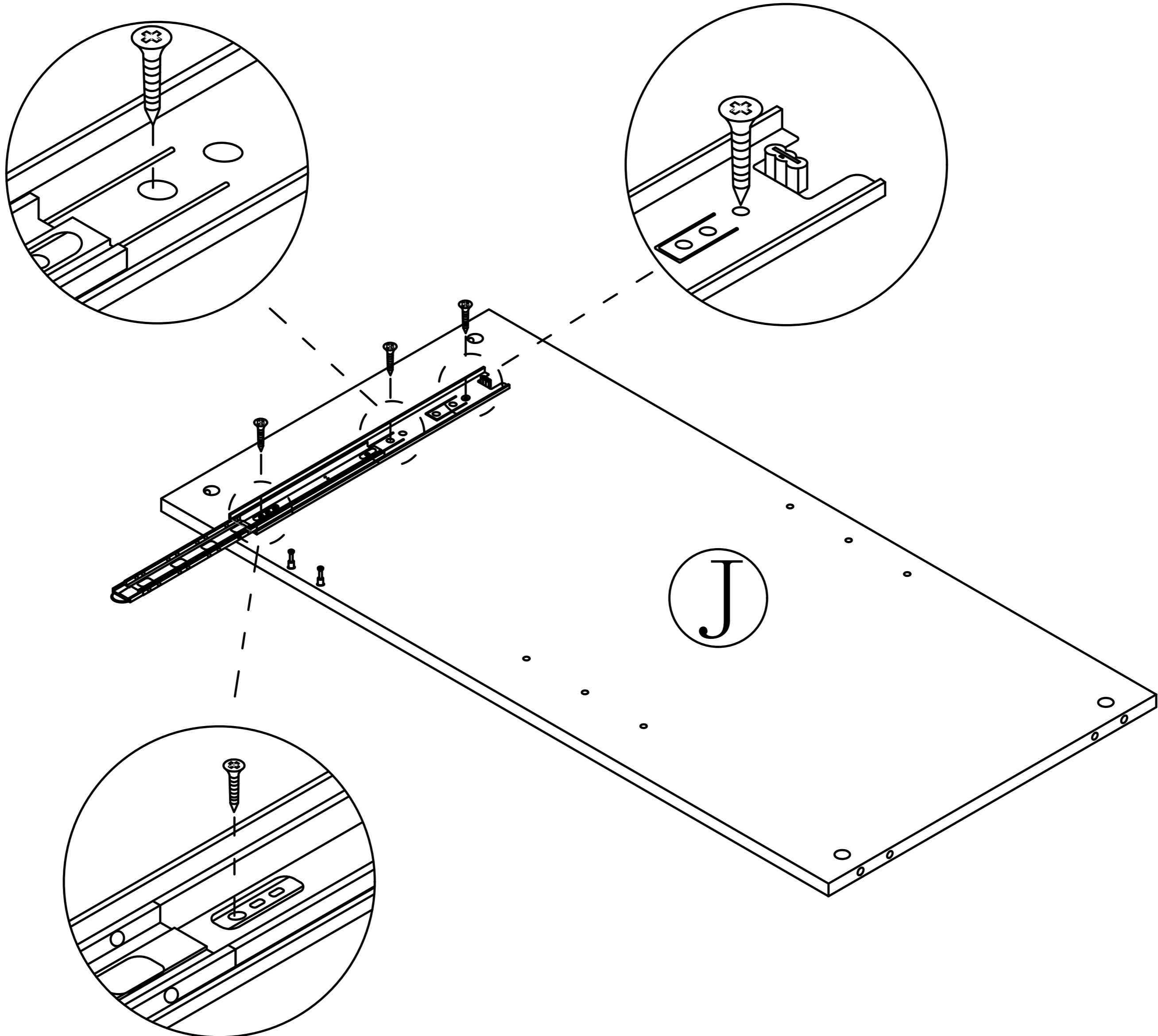
Step 16



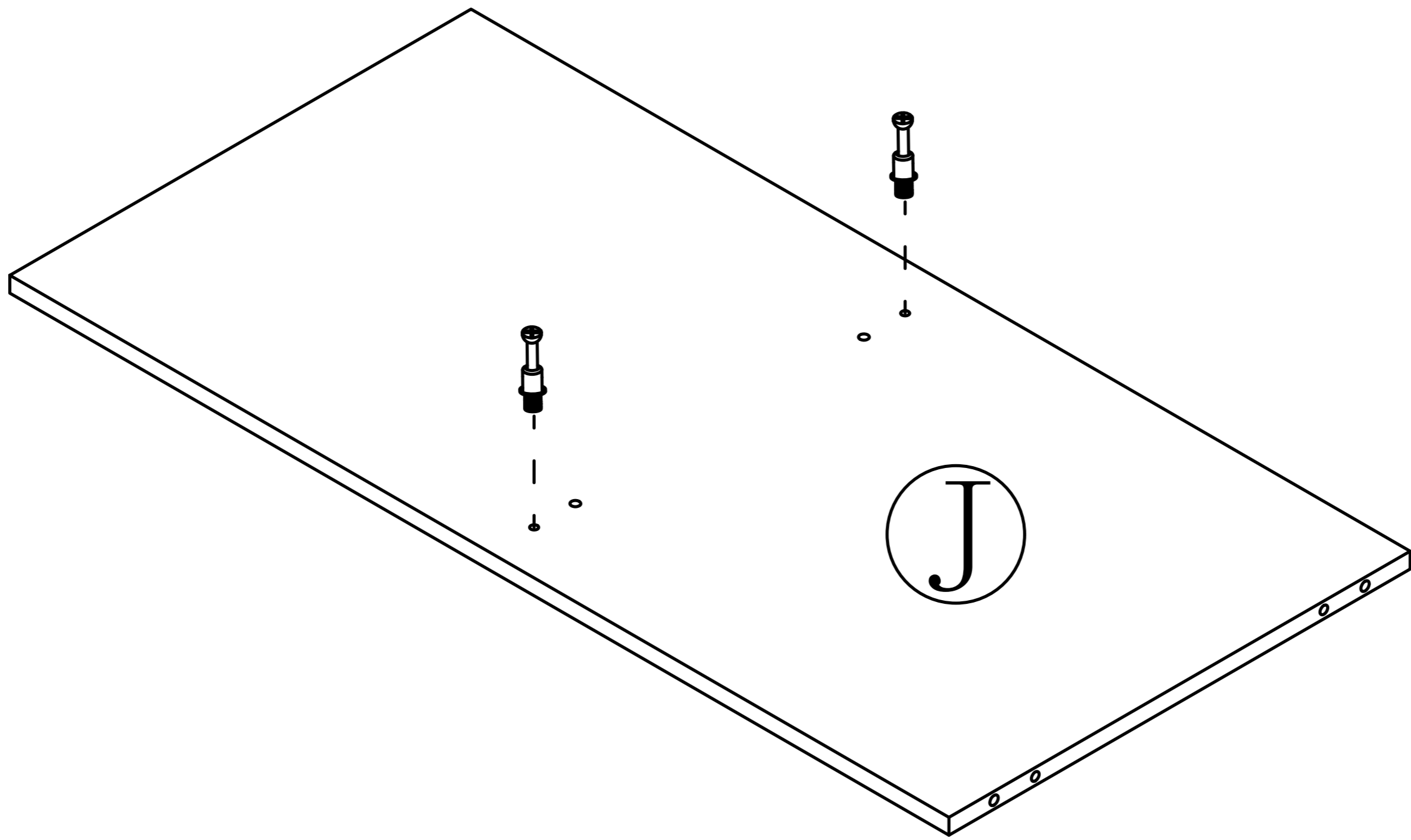
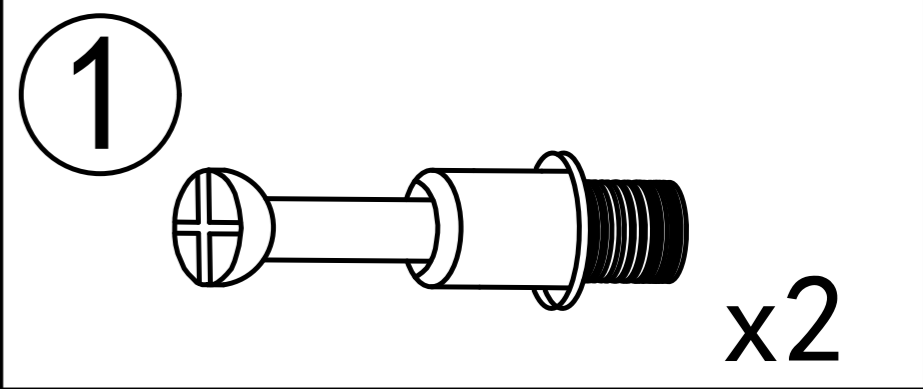
Step 17



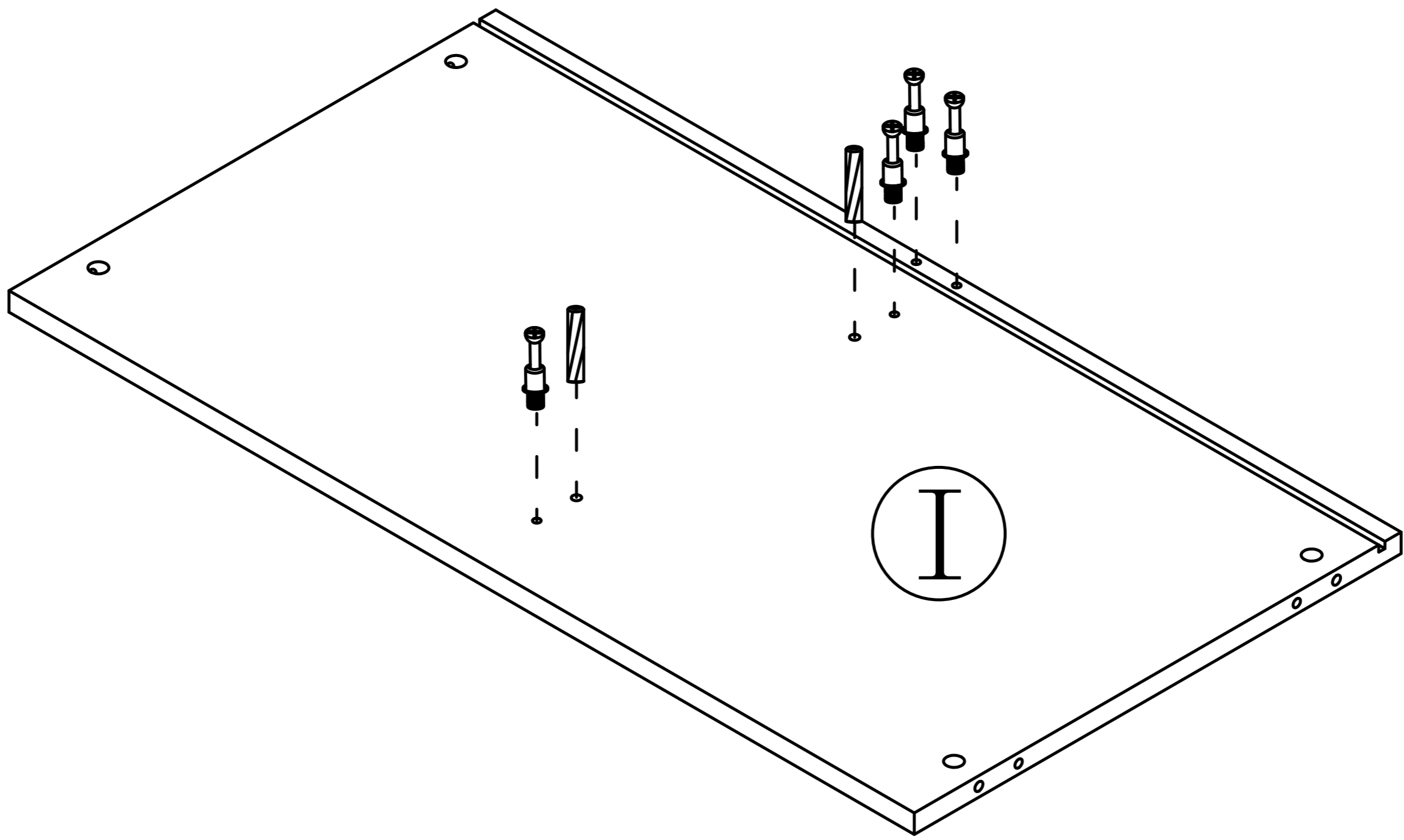
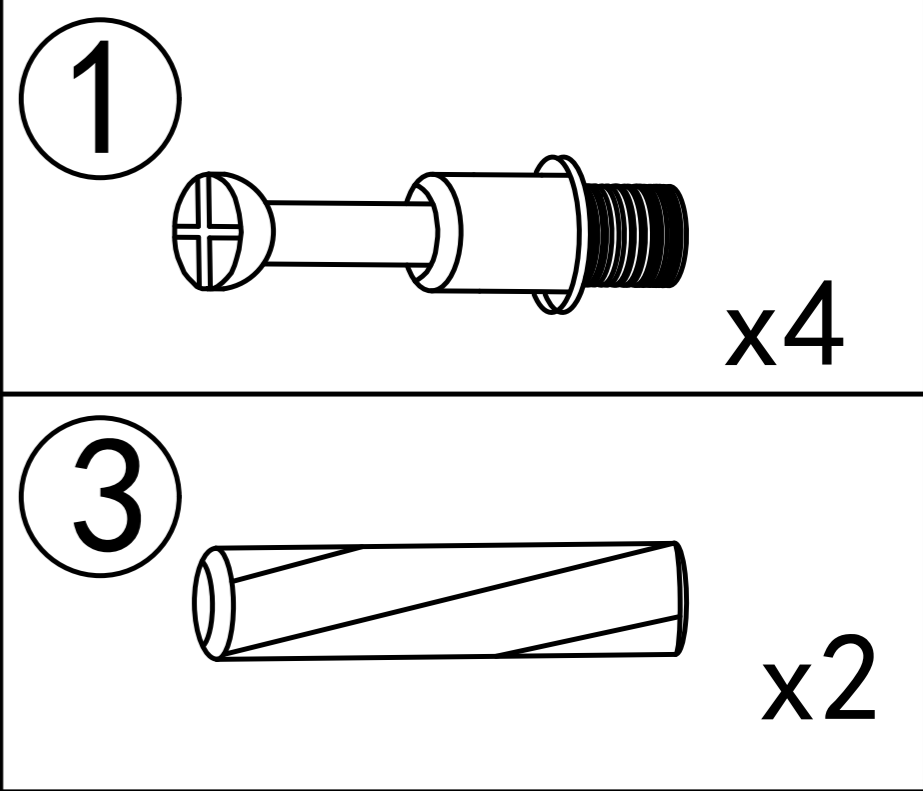
This hole is a reinforced fixing hole which can be installed as required



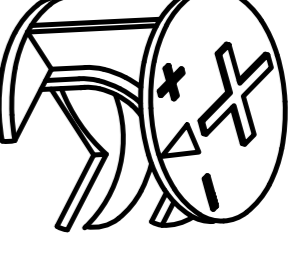
Step 18

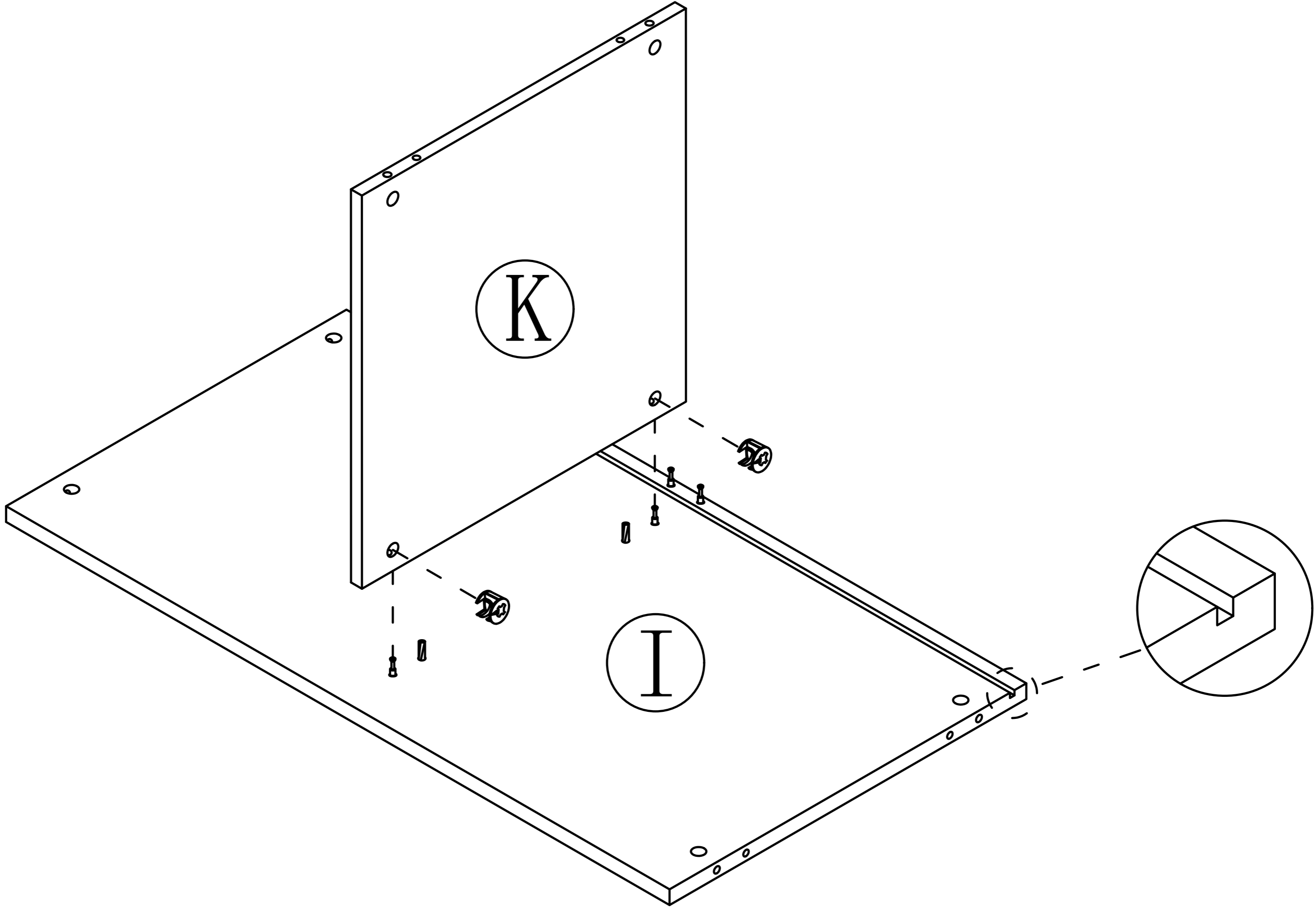


Step 19

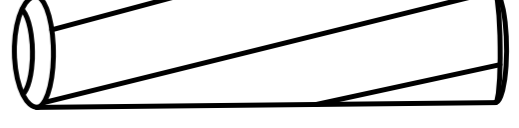


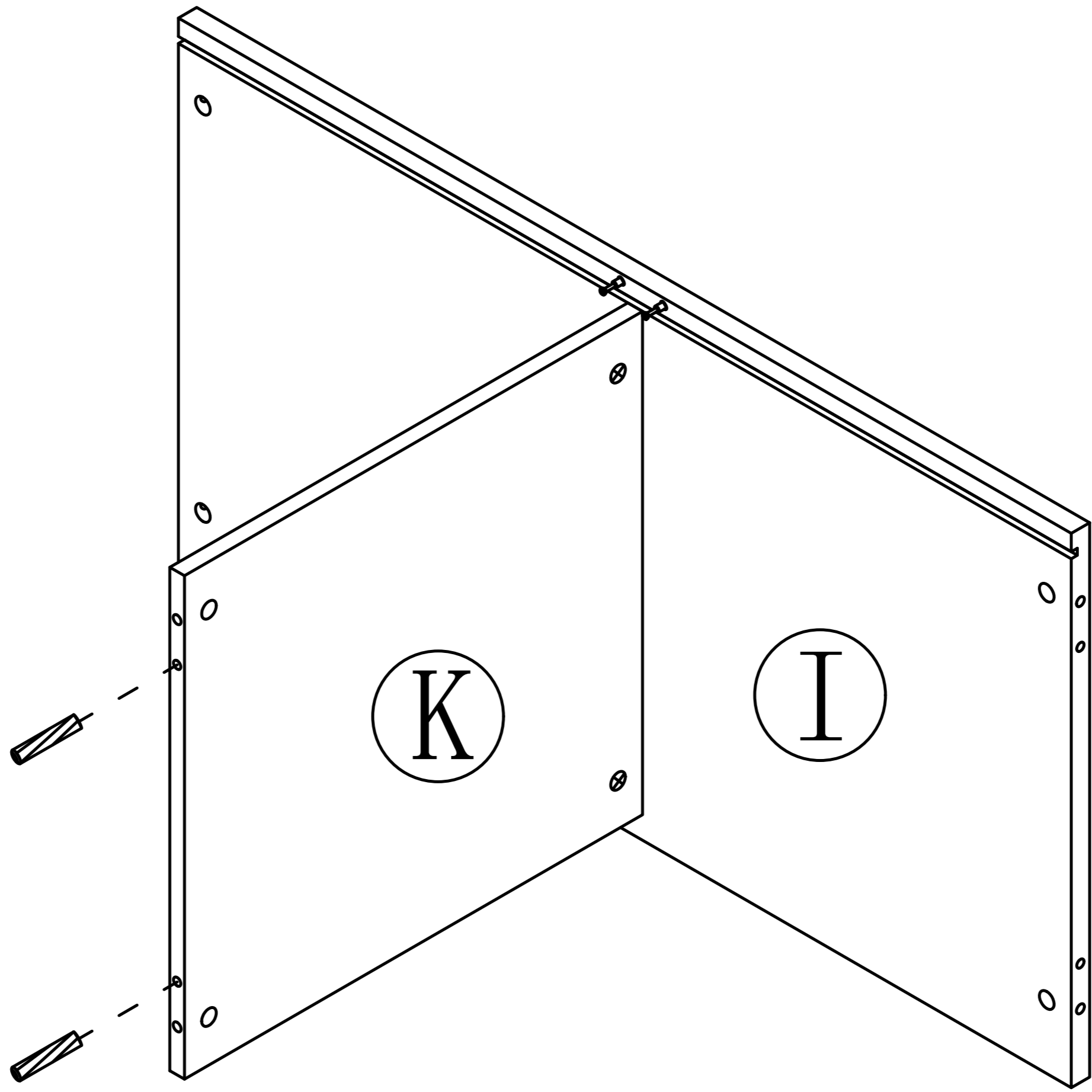
Step 20

2  x2

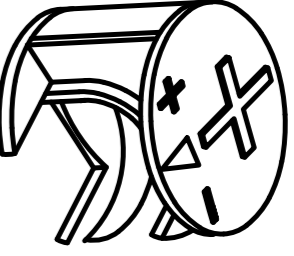


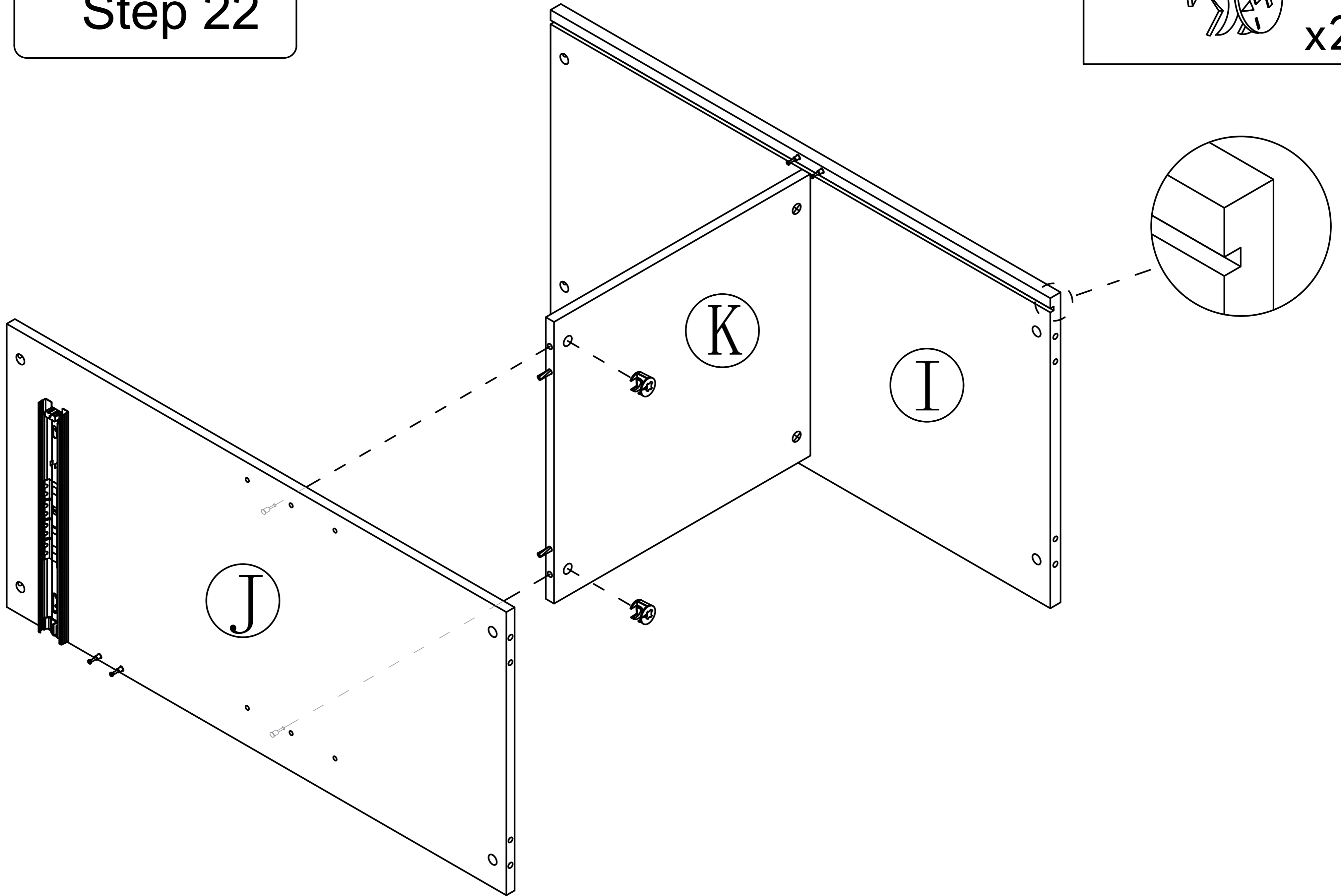
Step 21

3  x2

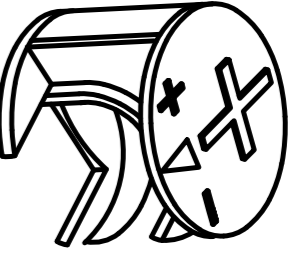


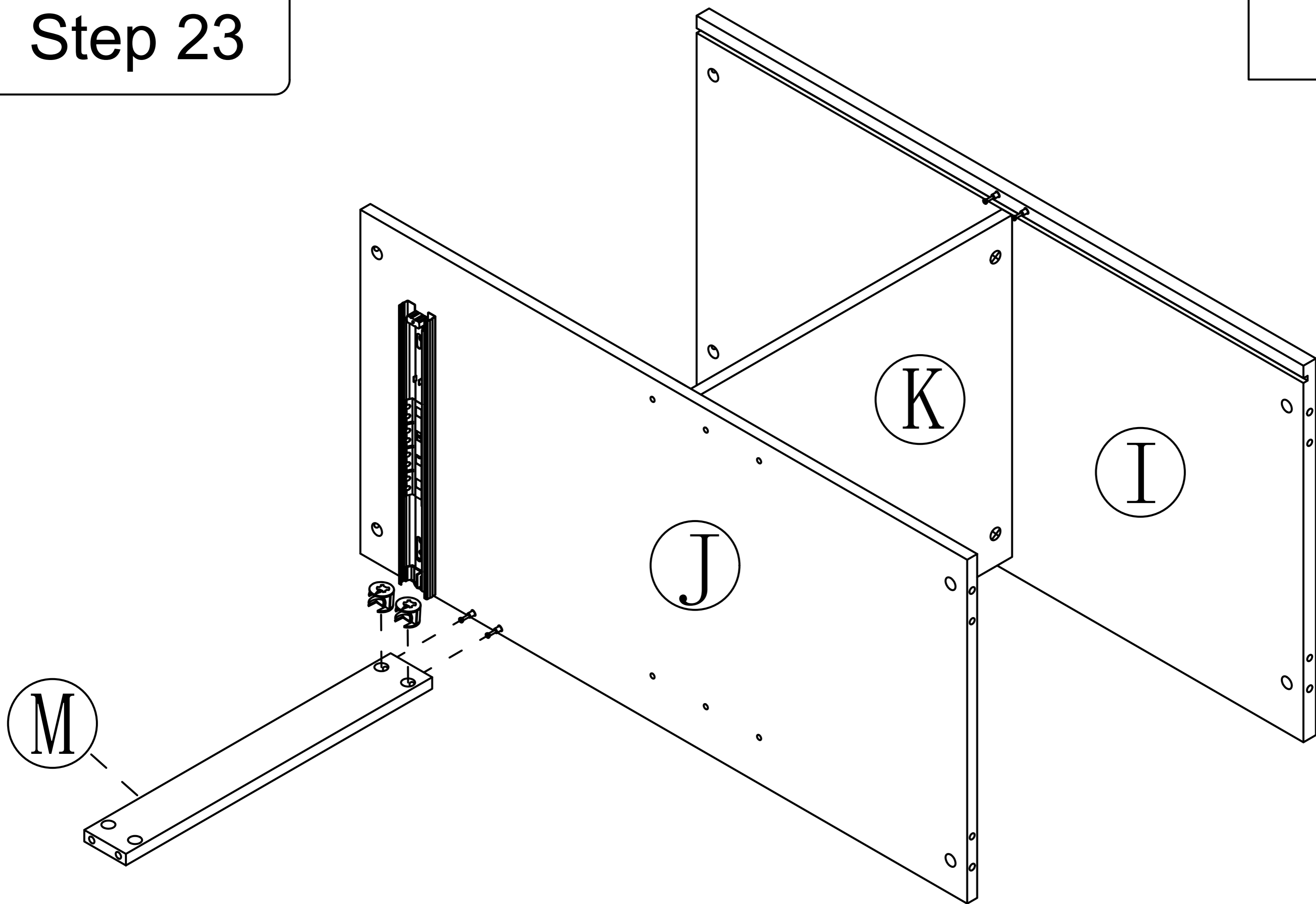
Step 22

2  x2

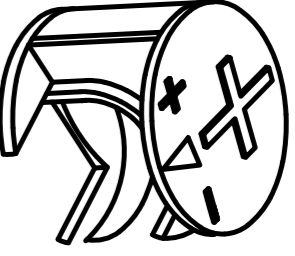


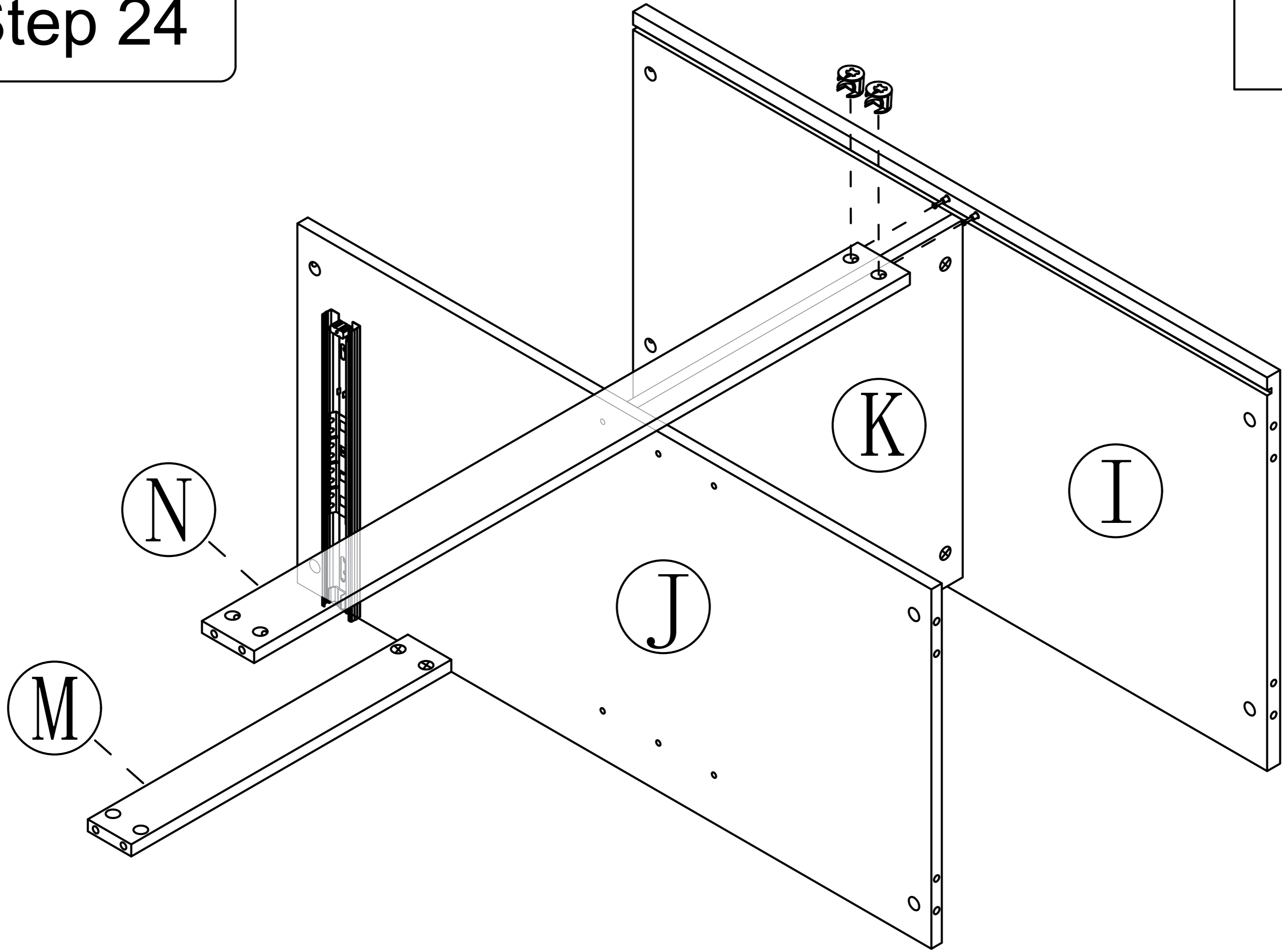
Step 23

2  x2

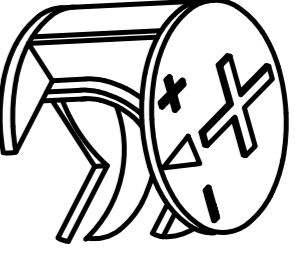


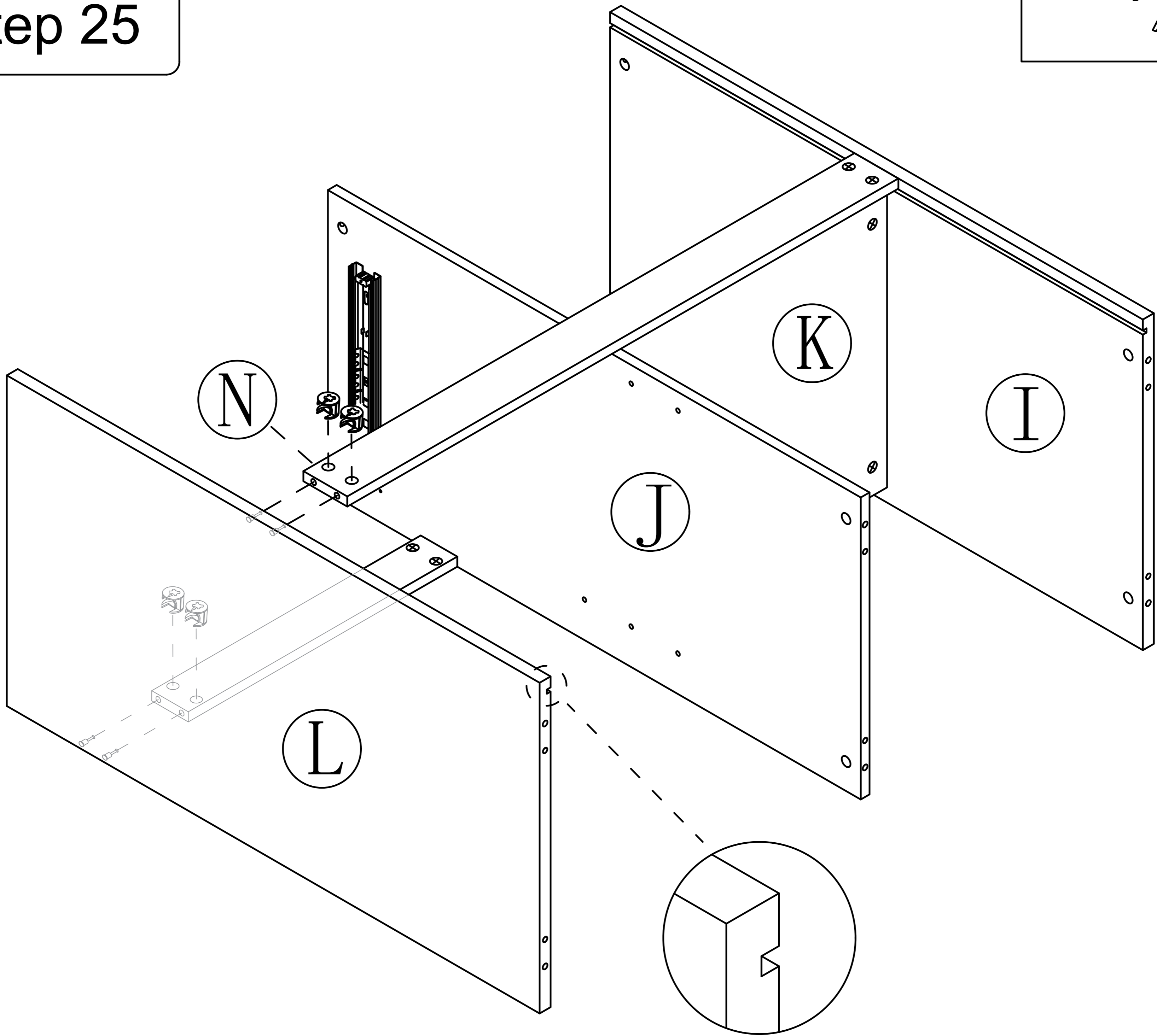
Step 24

2  x2

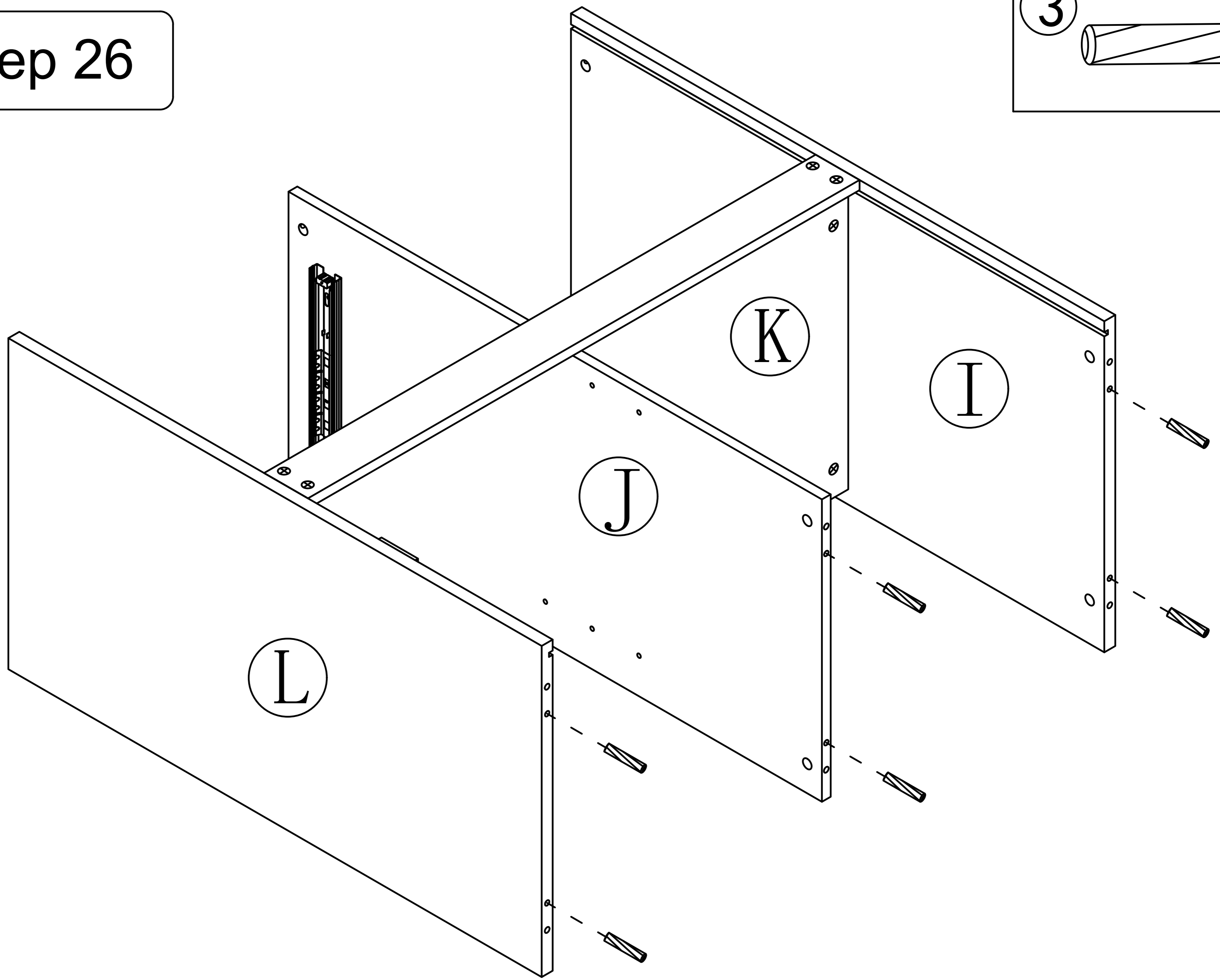
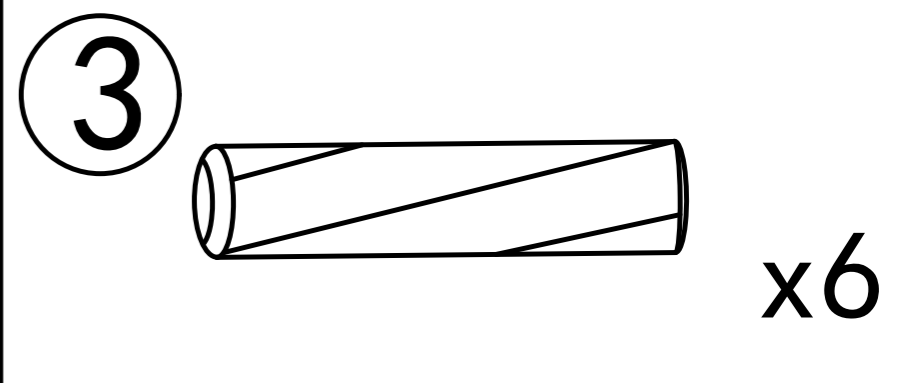


Step 25

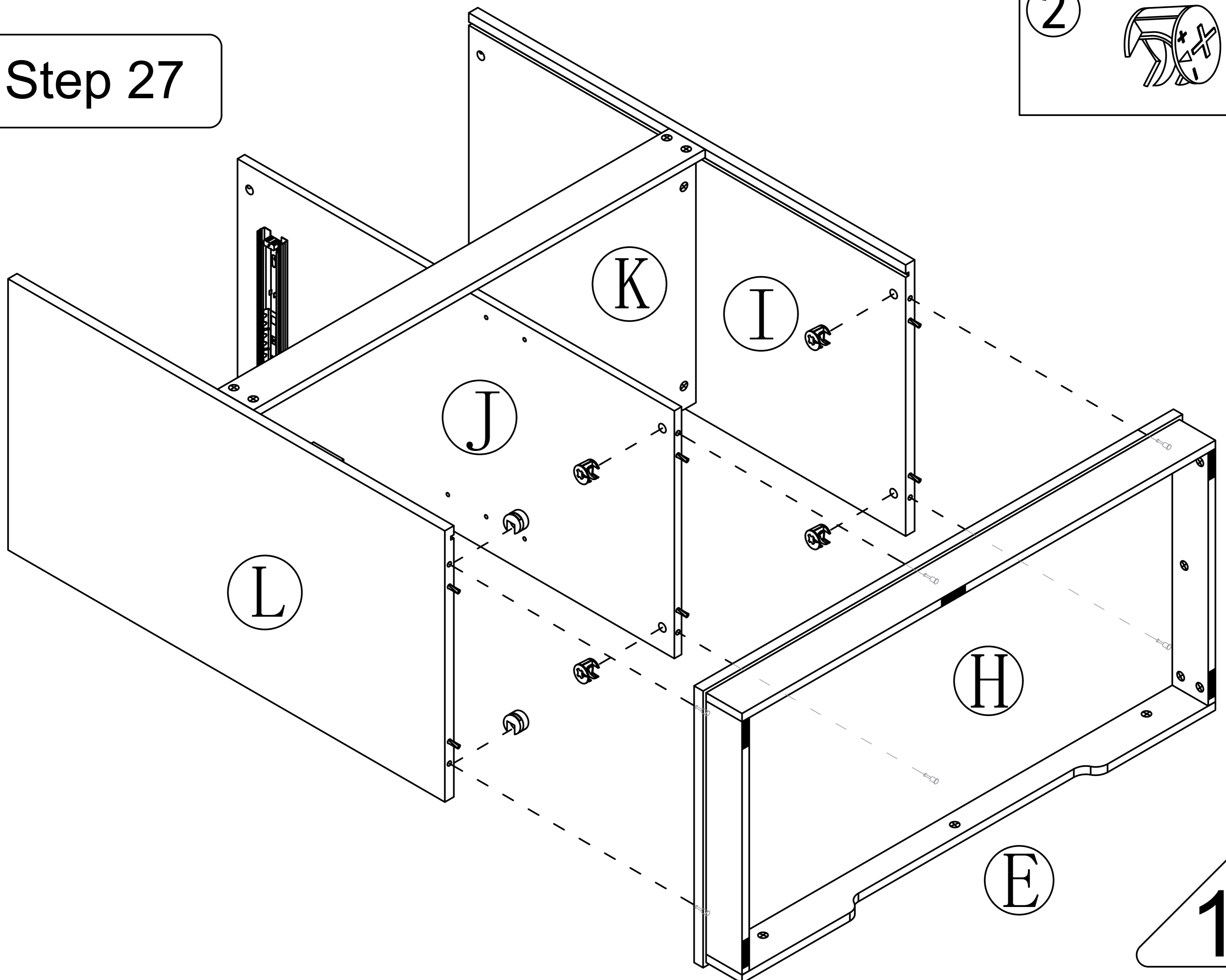
2  x4



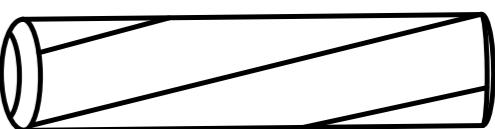
Step 26

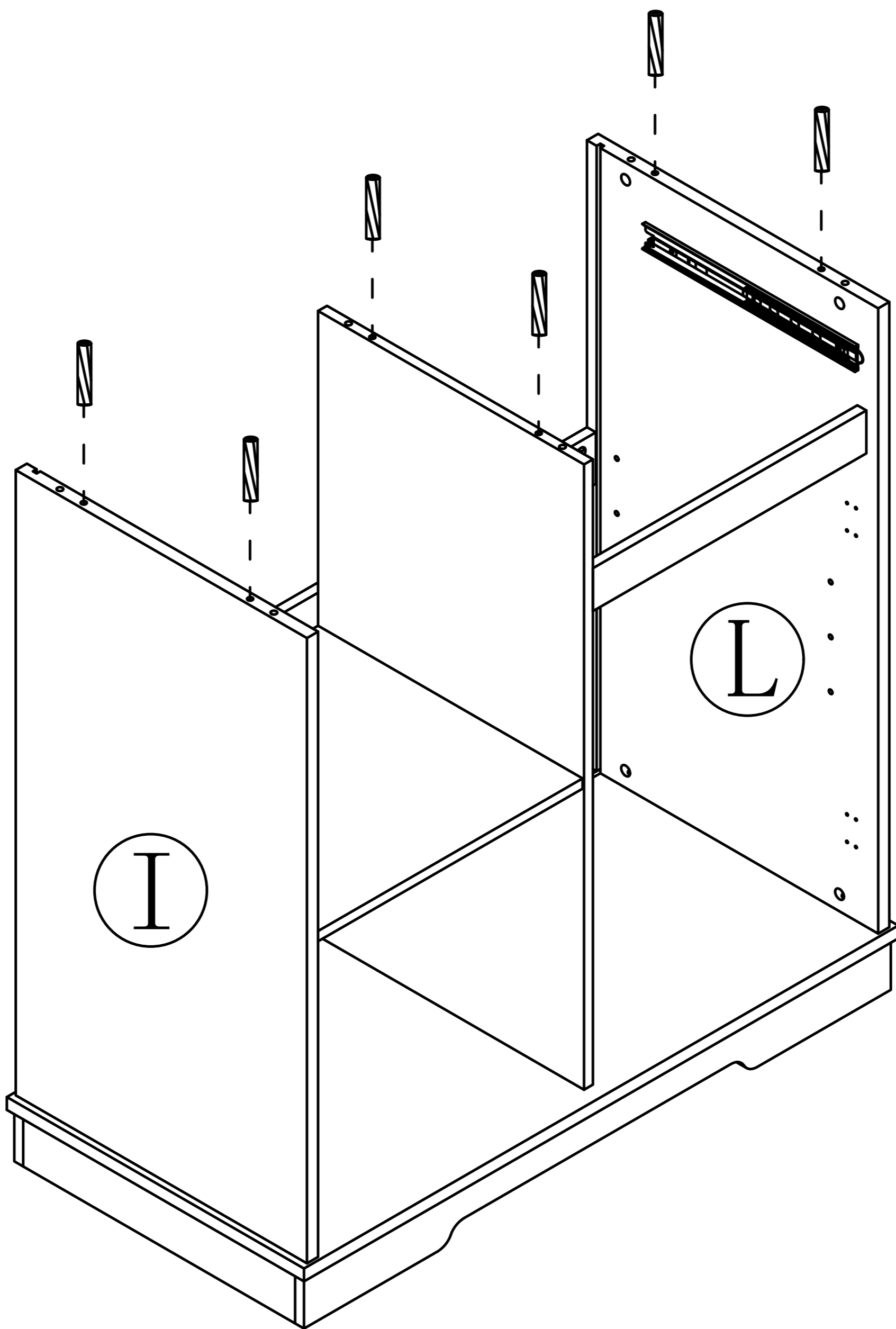


Step 27

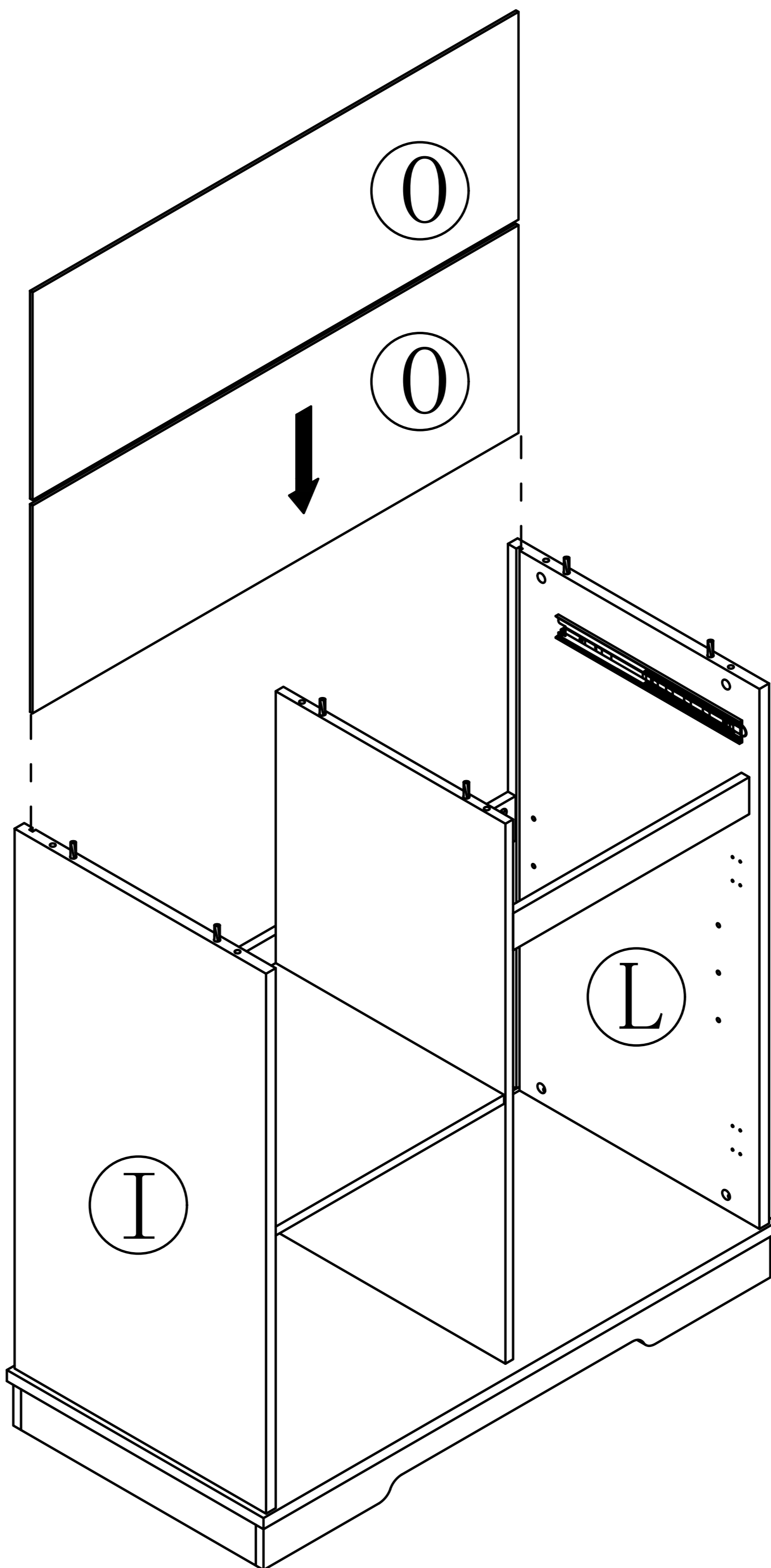


Step 28

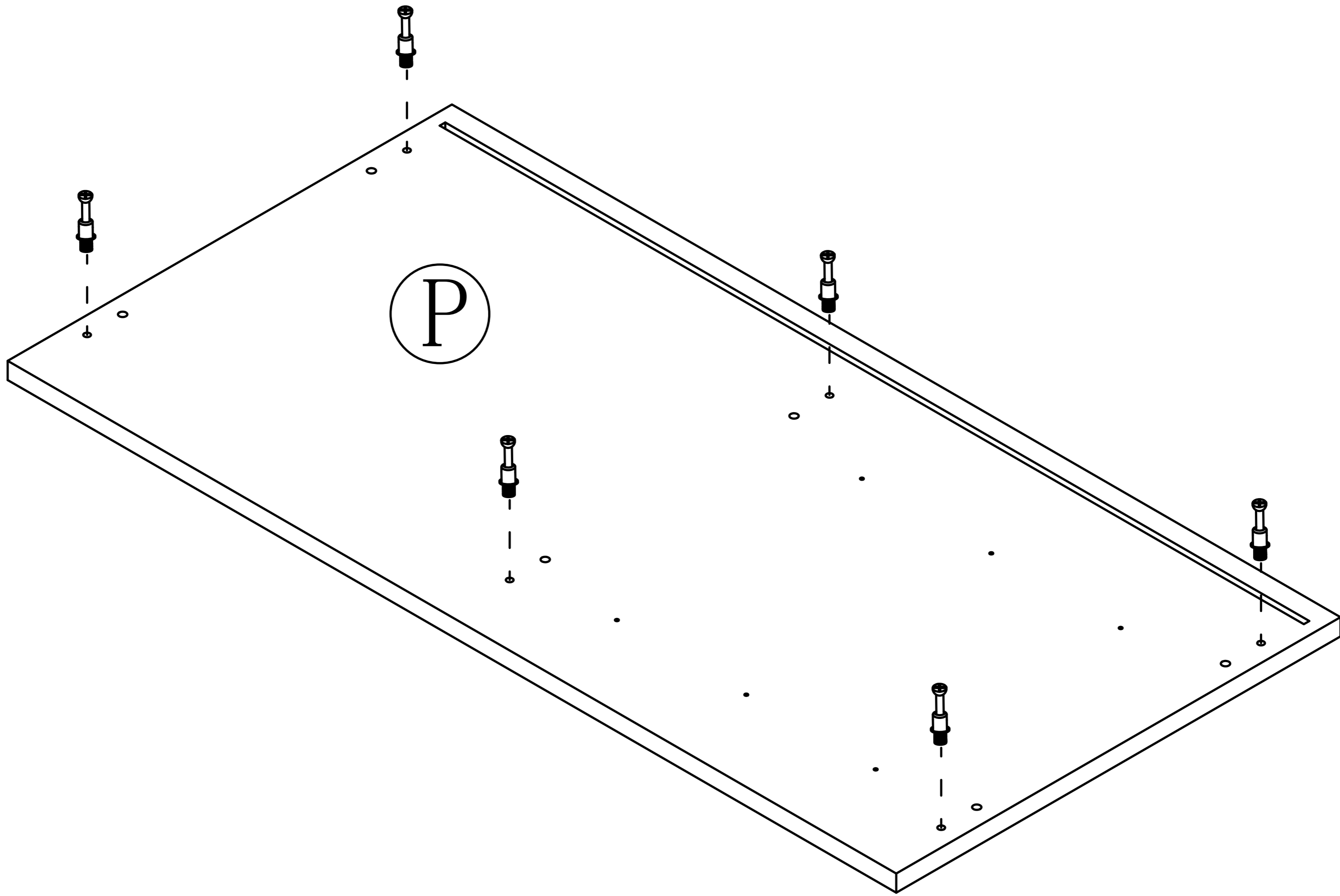
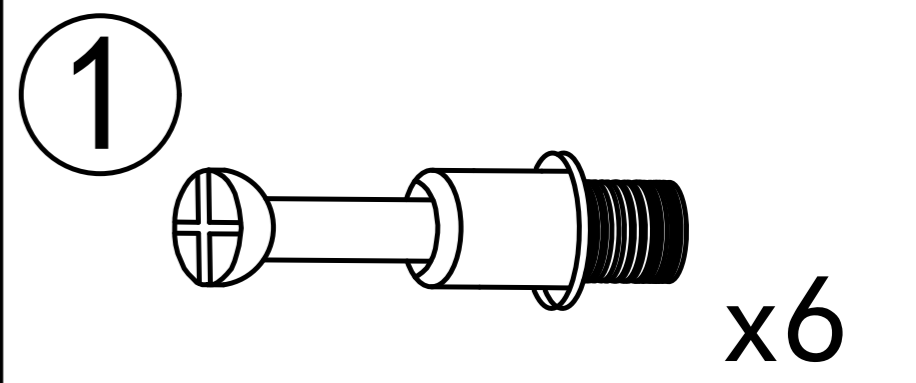
3  x6



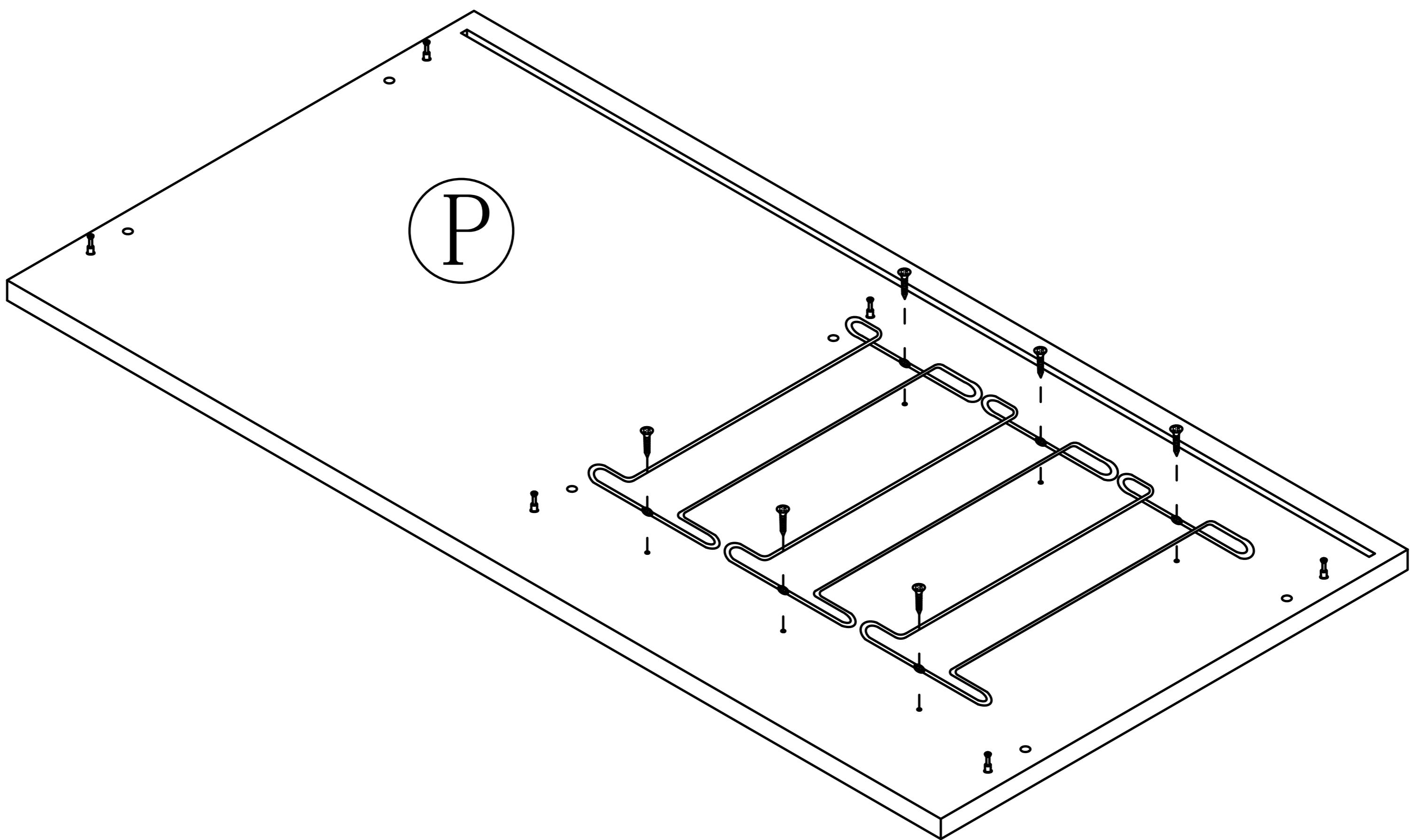
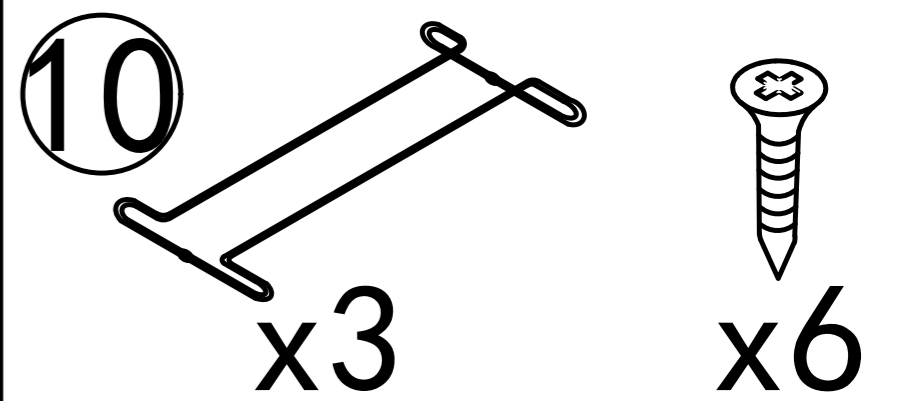
Step 29



Step 30

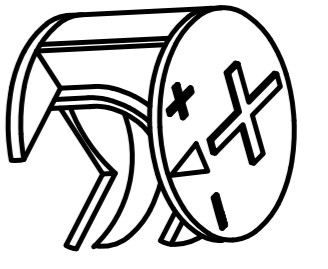


Step 31

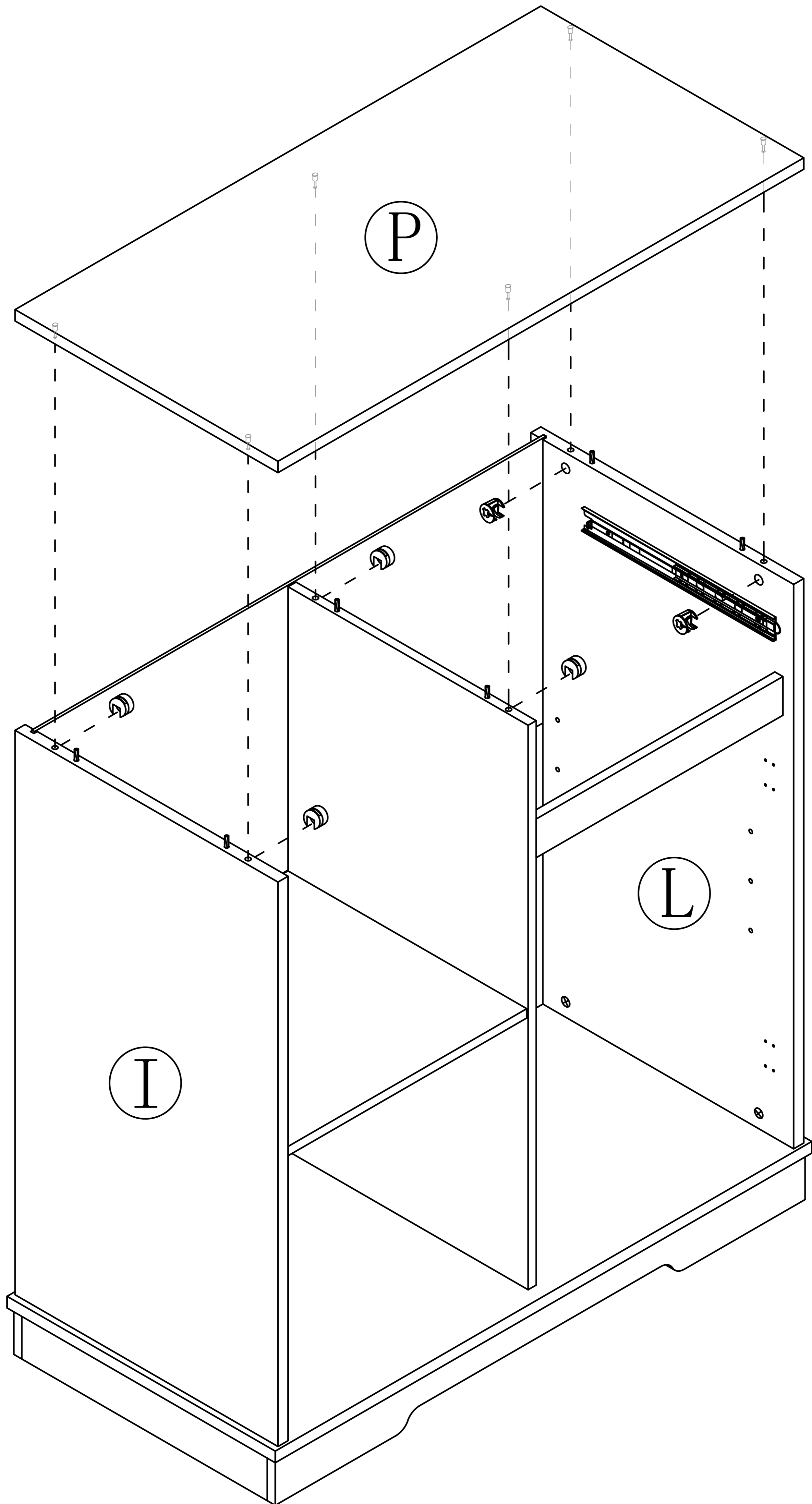


Step 32

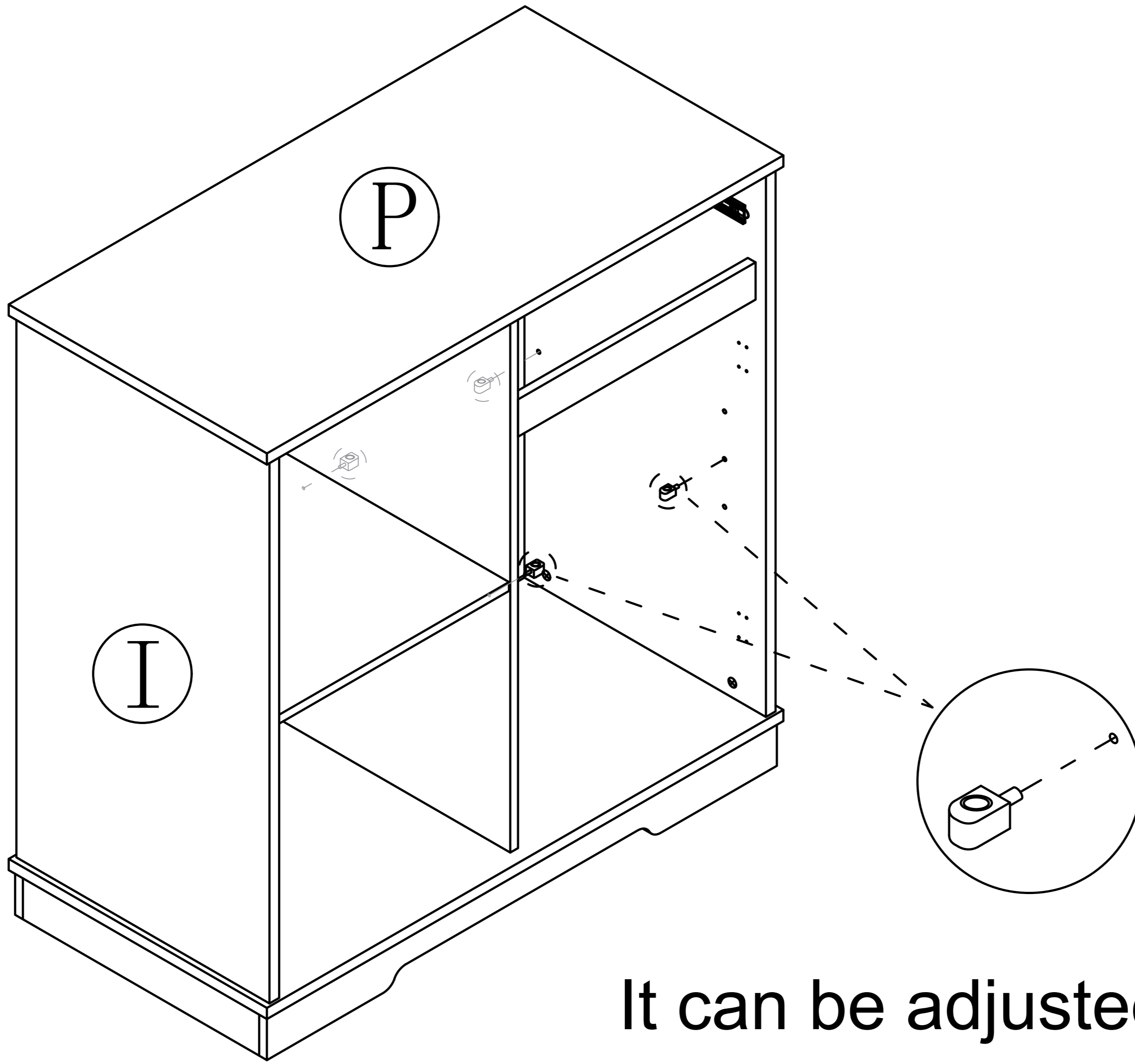
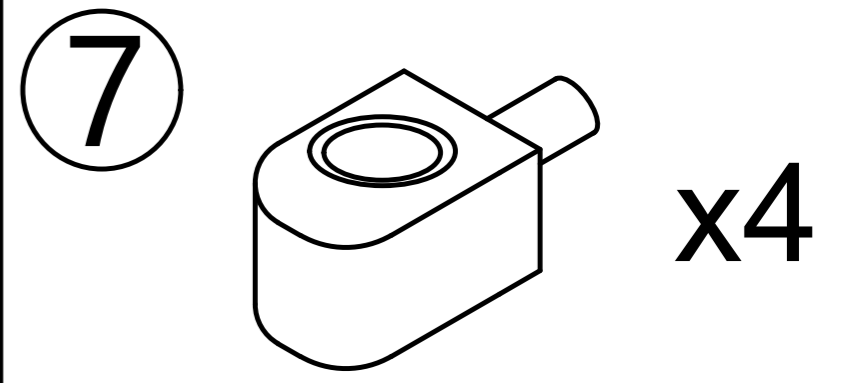
2



x6

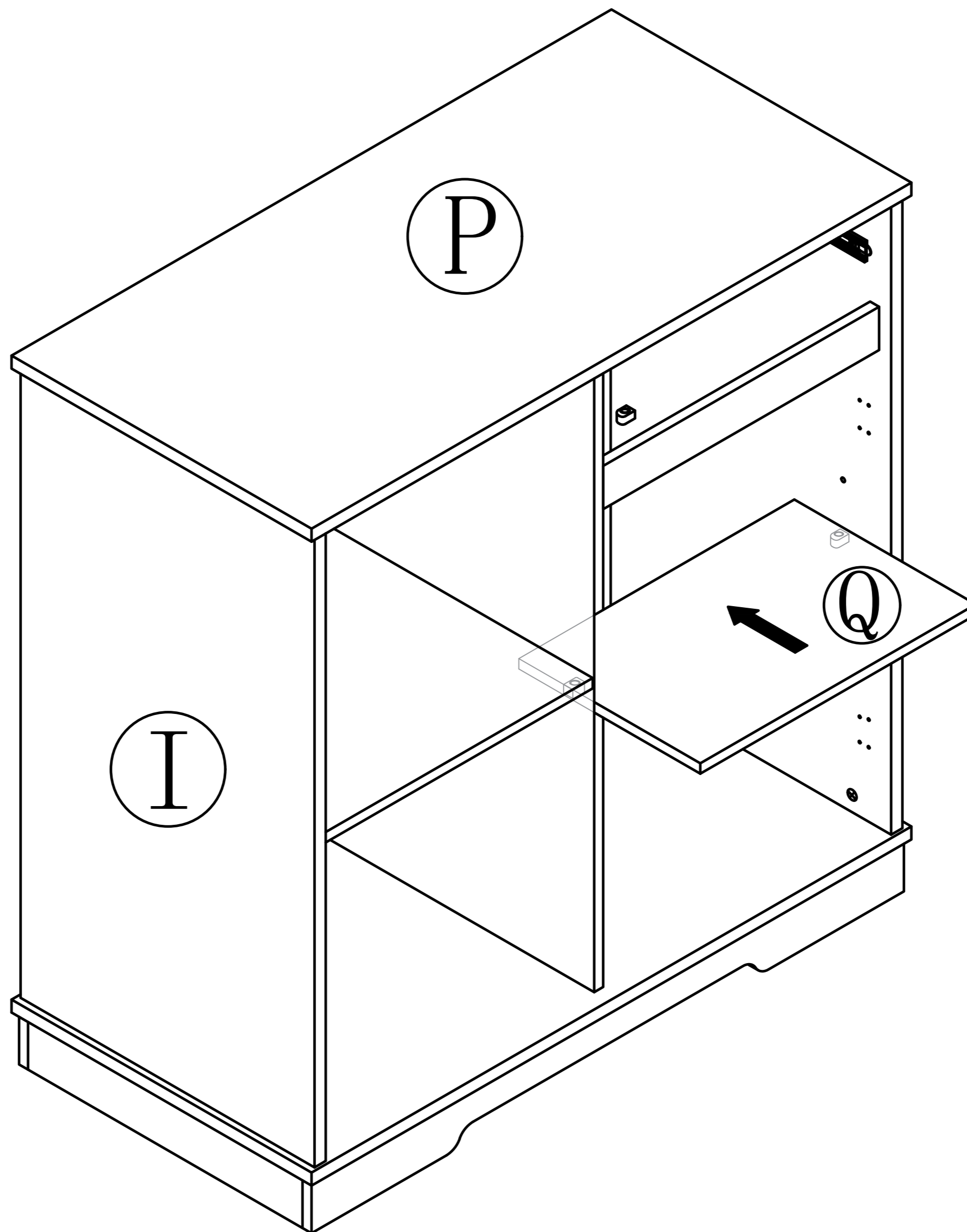


Step 33

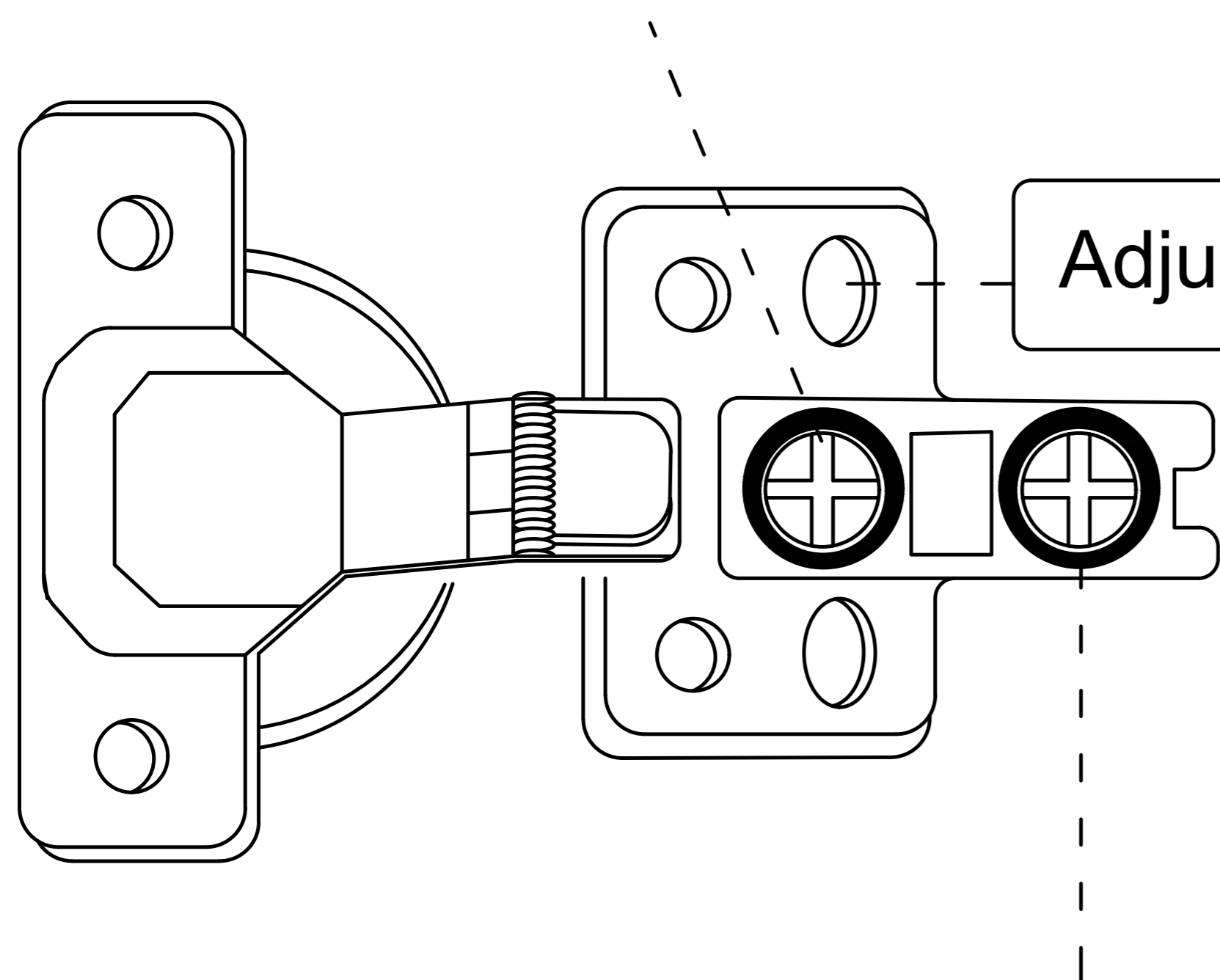


It can be adjusted up and down.

Step 34



Turning this screw can effectively adjust the size of the door gap.

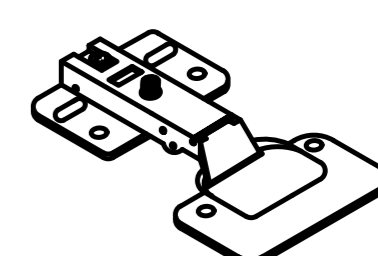


Adjust hole control the up and down height of the door

Turn this screw to adjust the door panel to be flat with the side panel.

Step 35

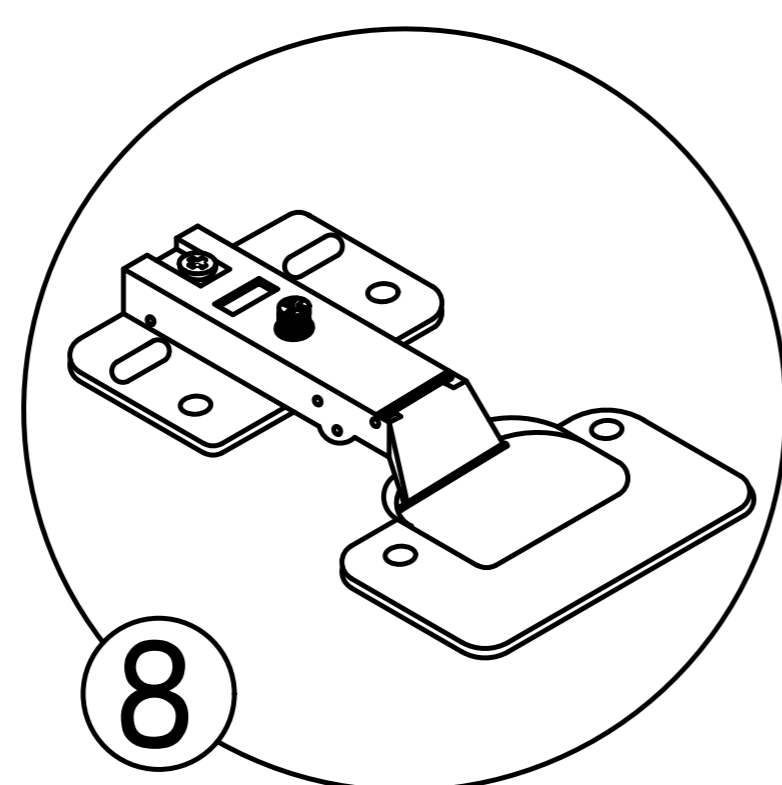
8



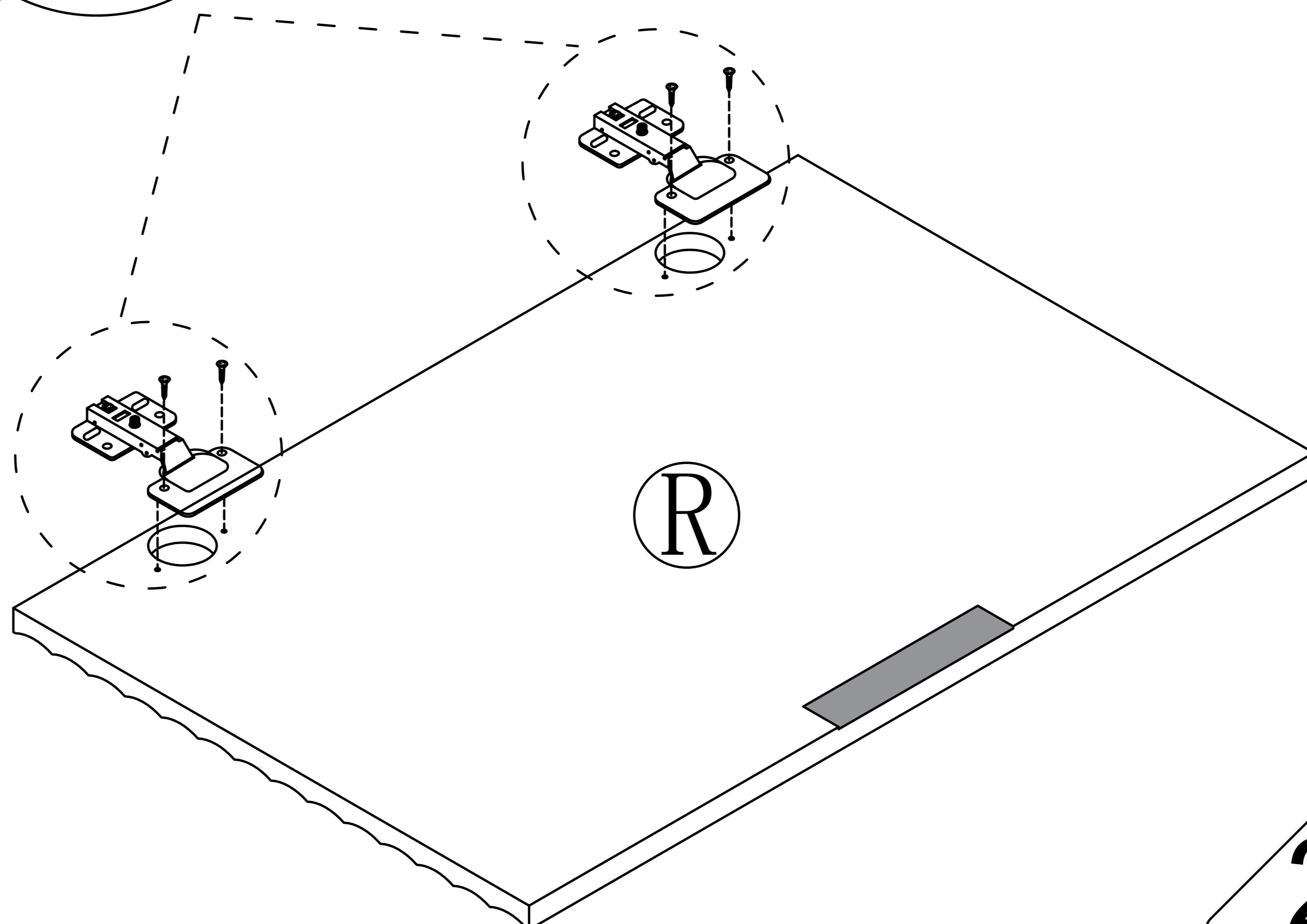
x2



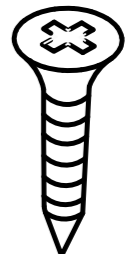
x4

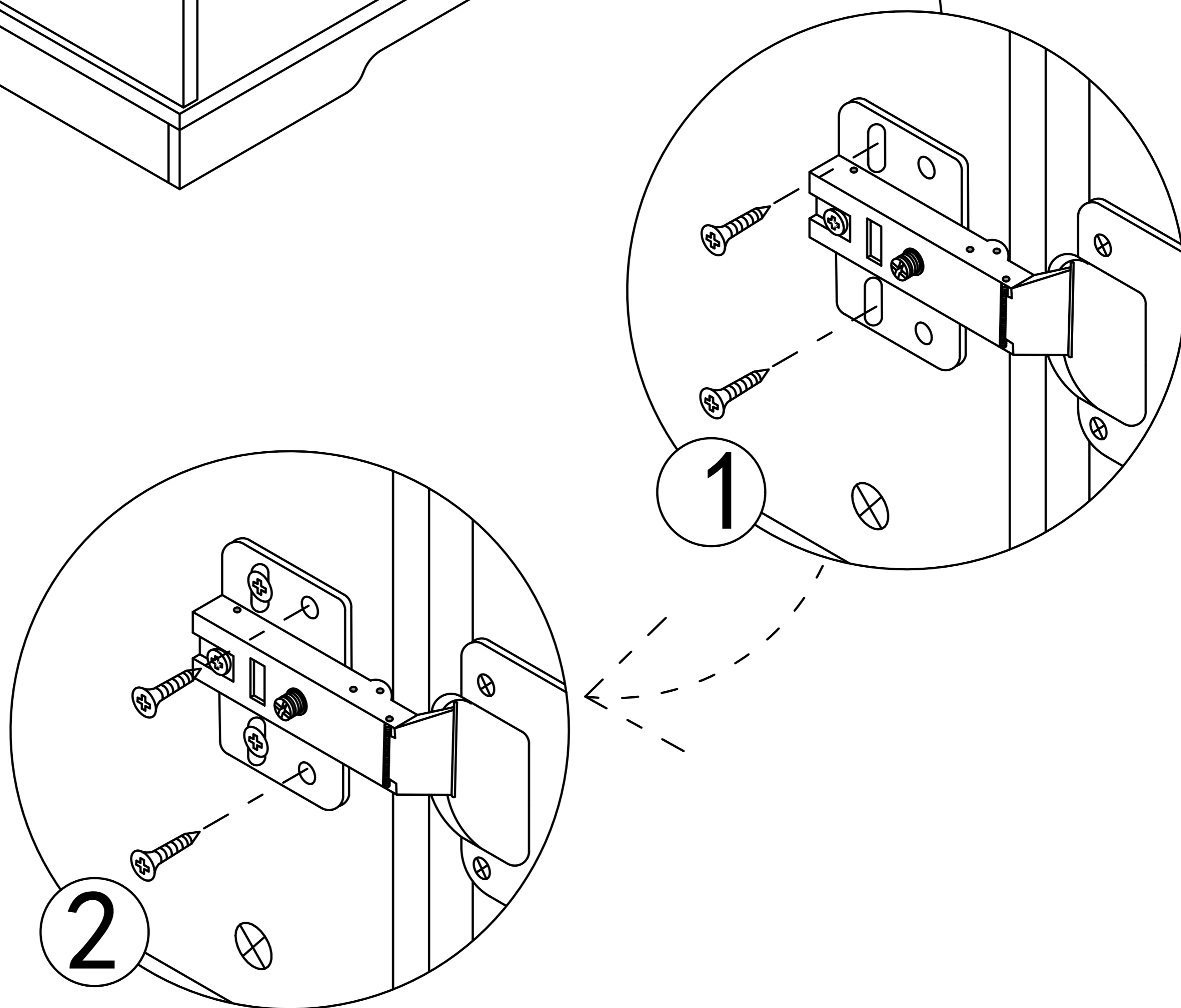
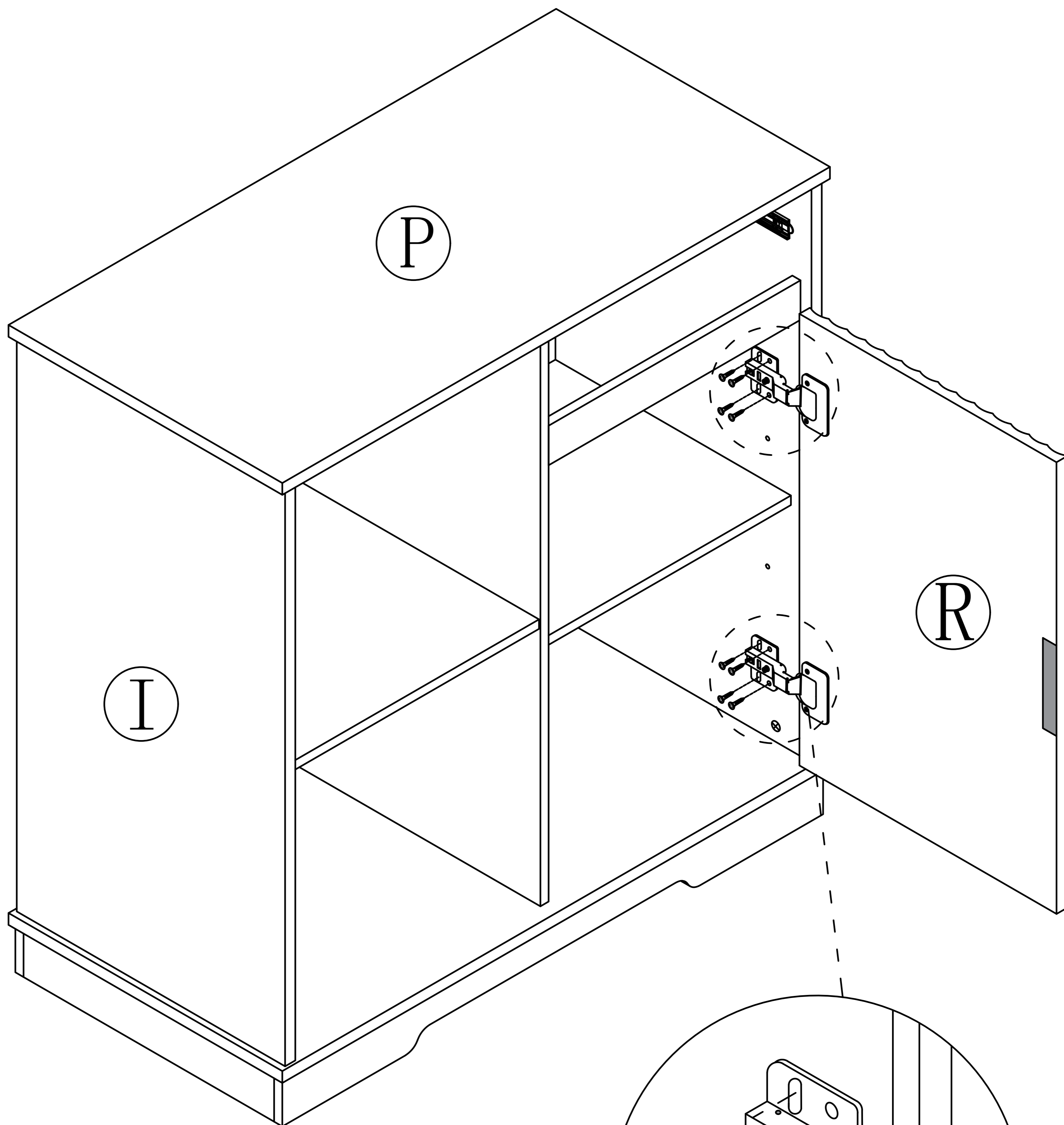


8



Step 36

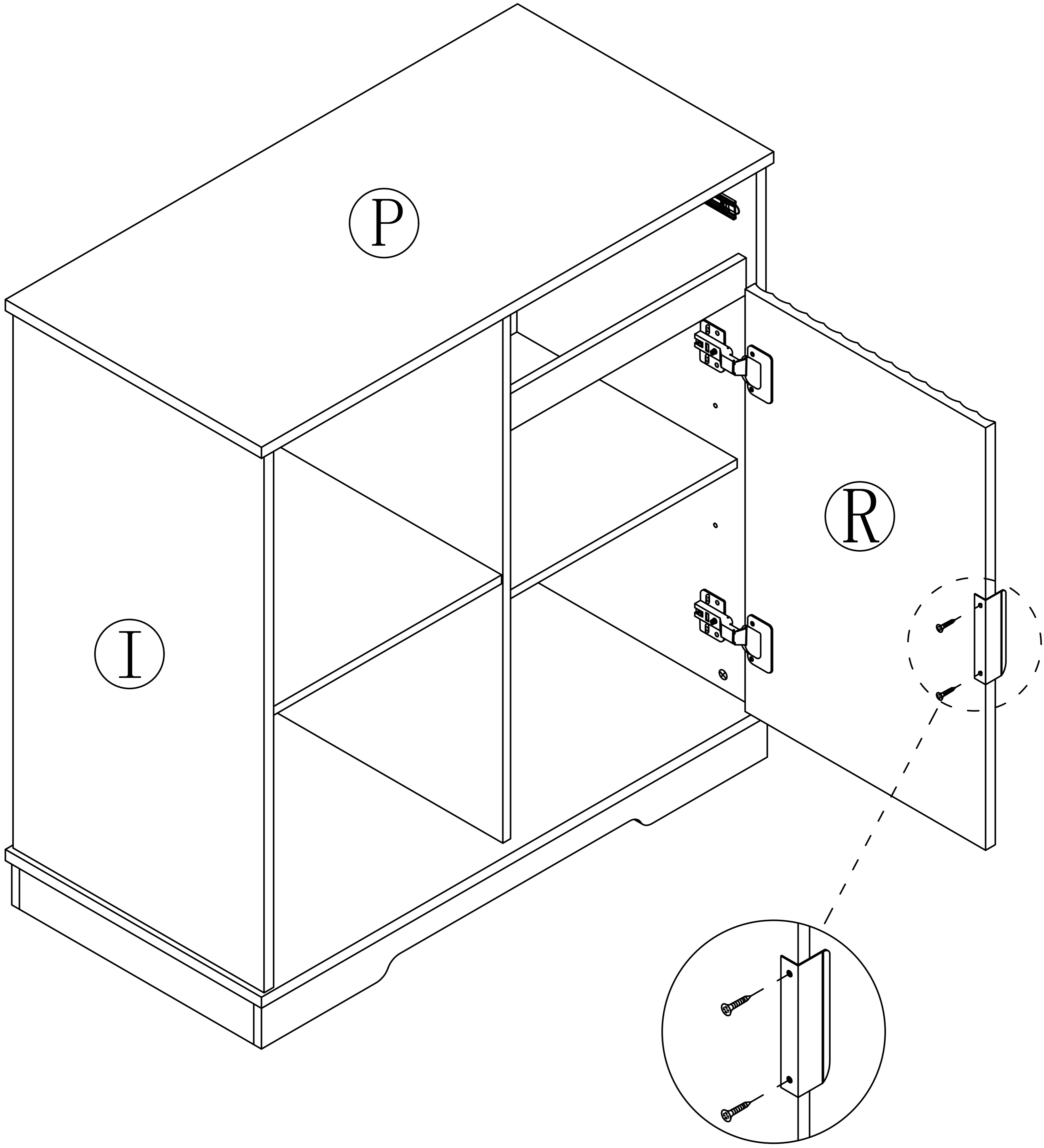
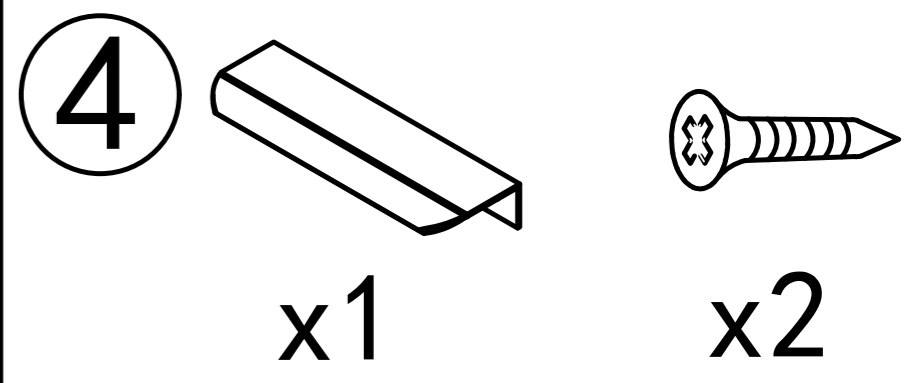
8  x8



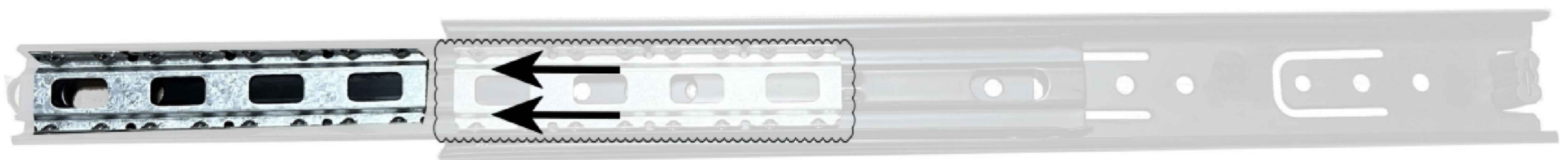
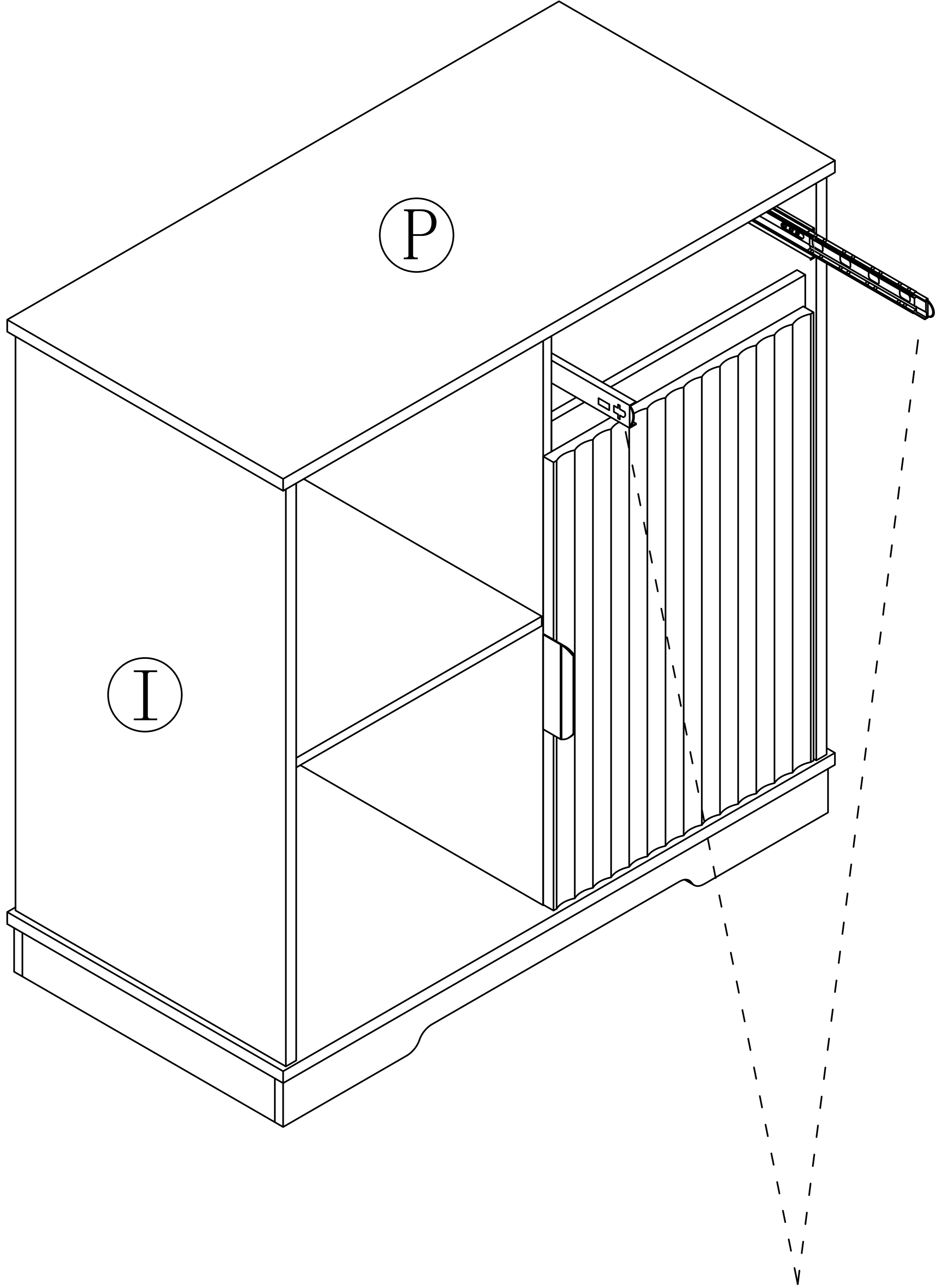
First lock the elliptical hole then lock the fixed hole

Step 37

4 x1 x2

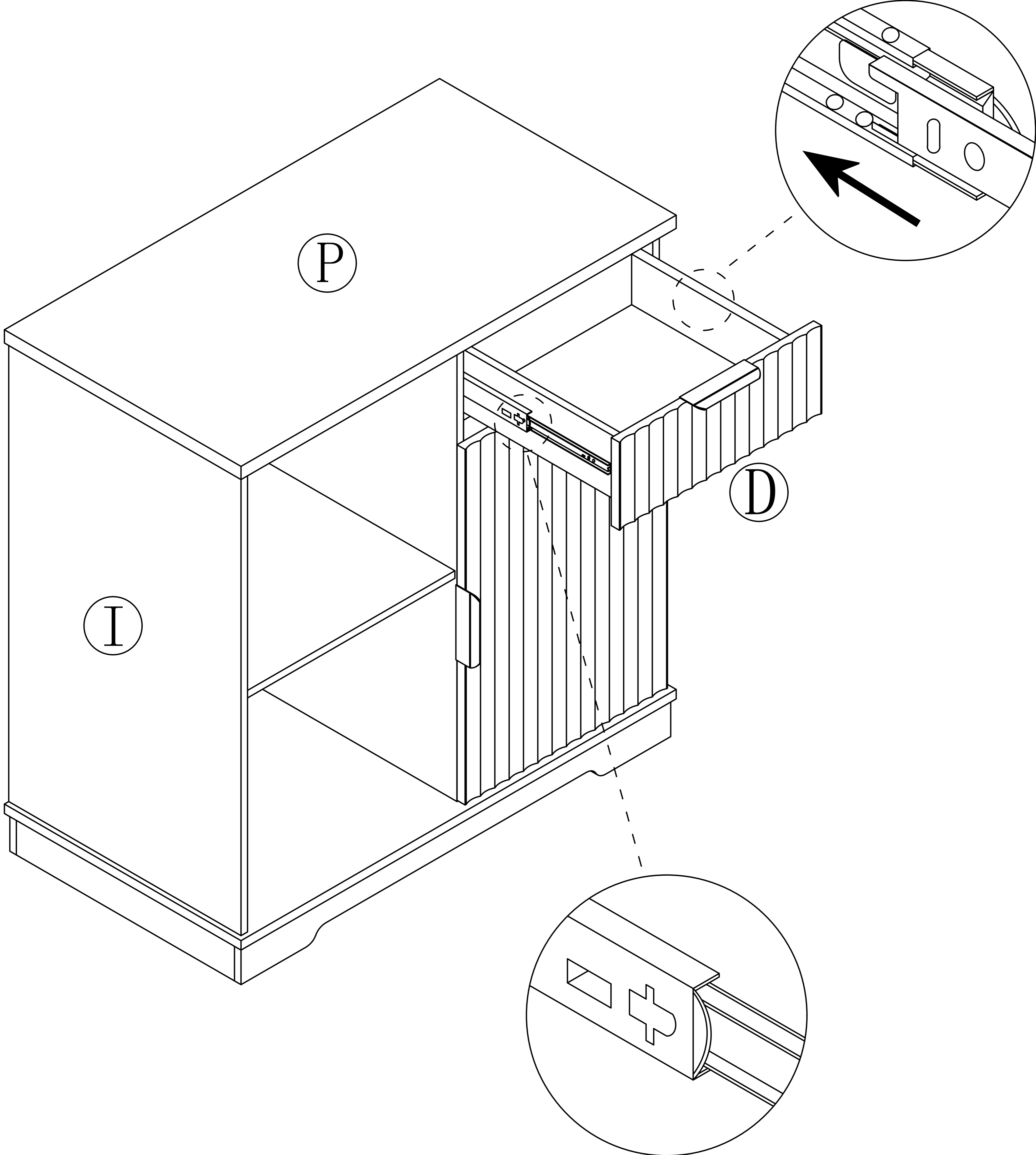


Step 38

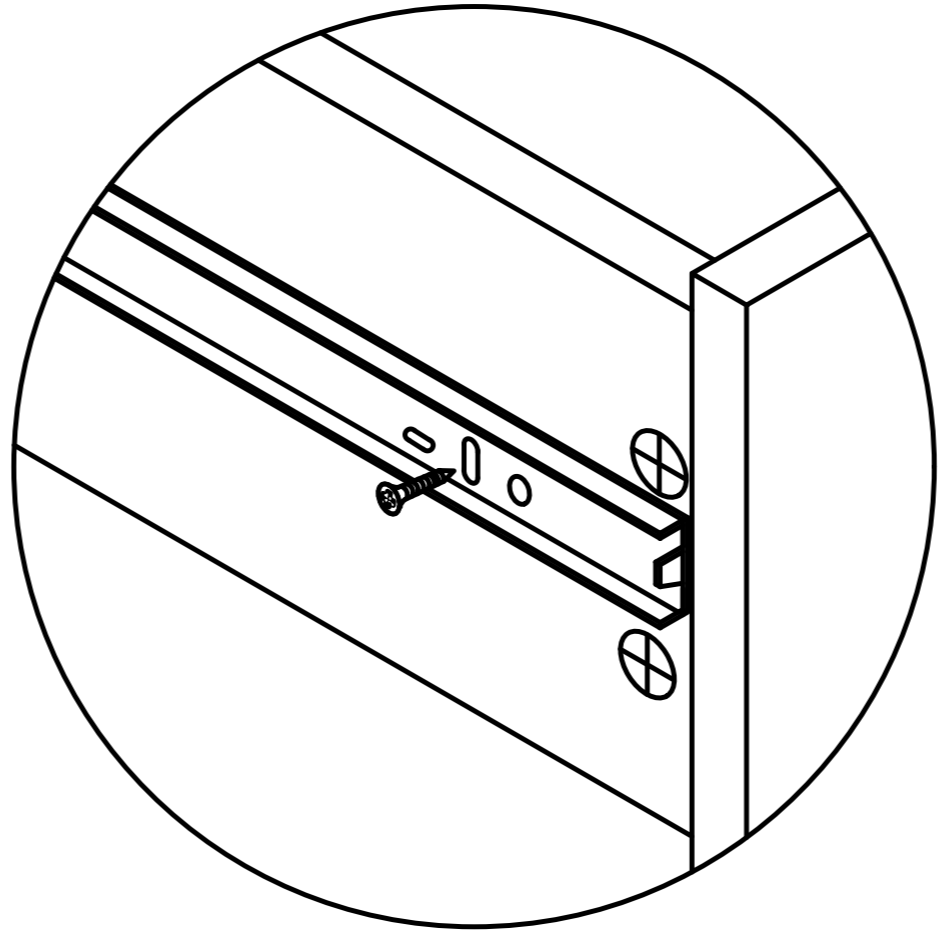
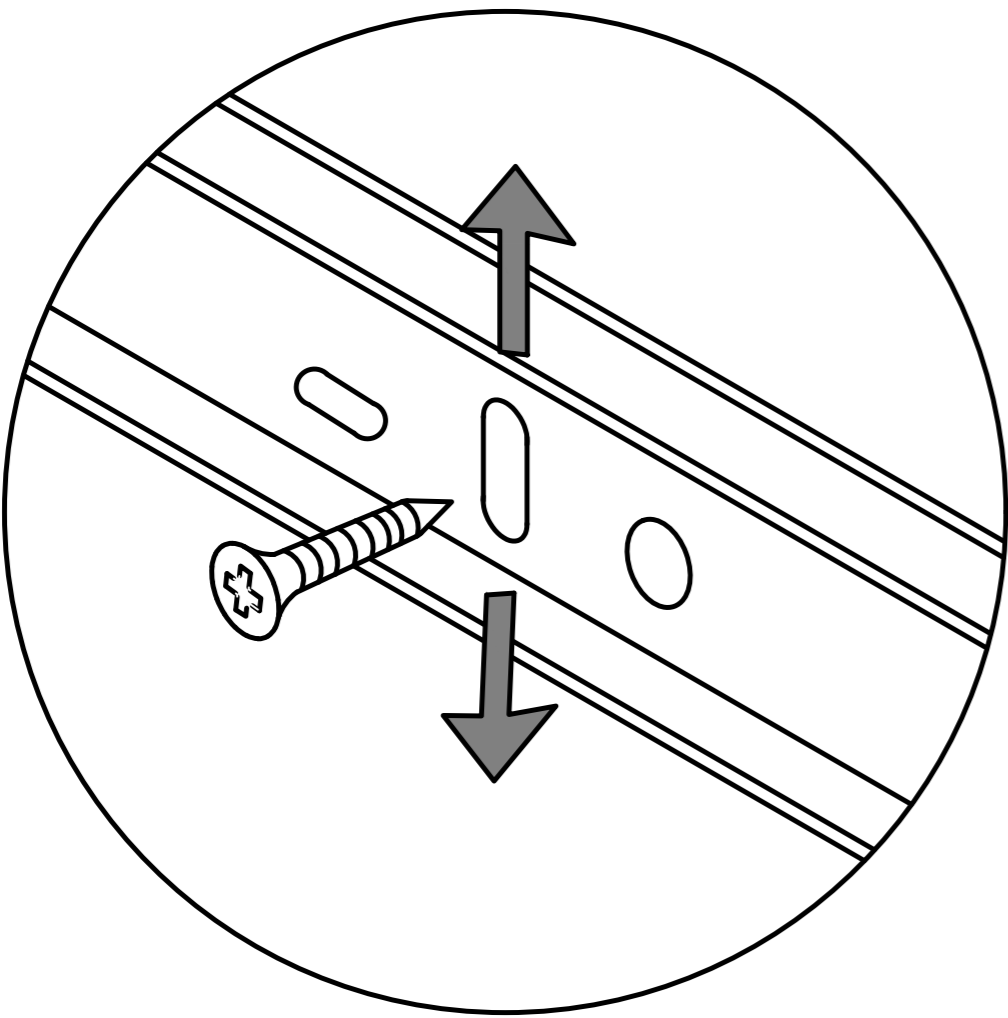
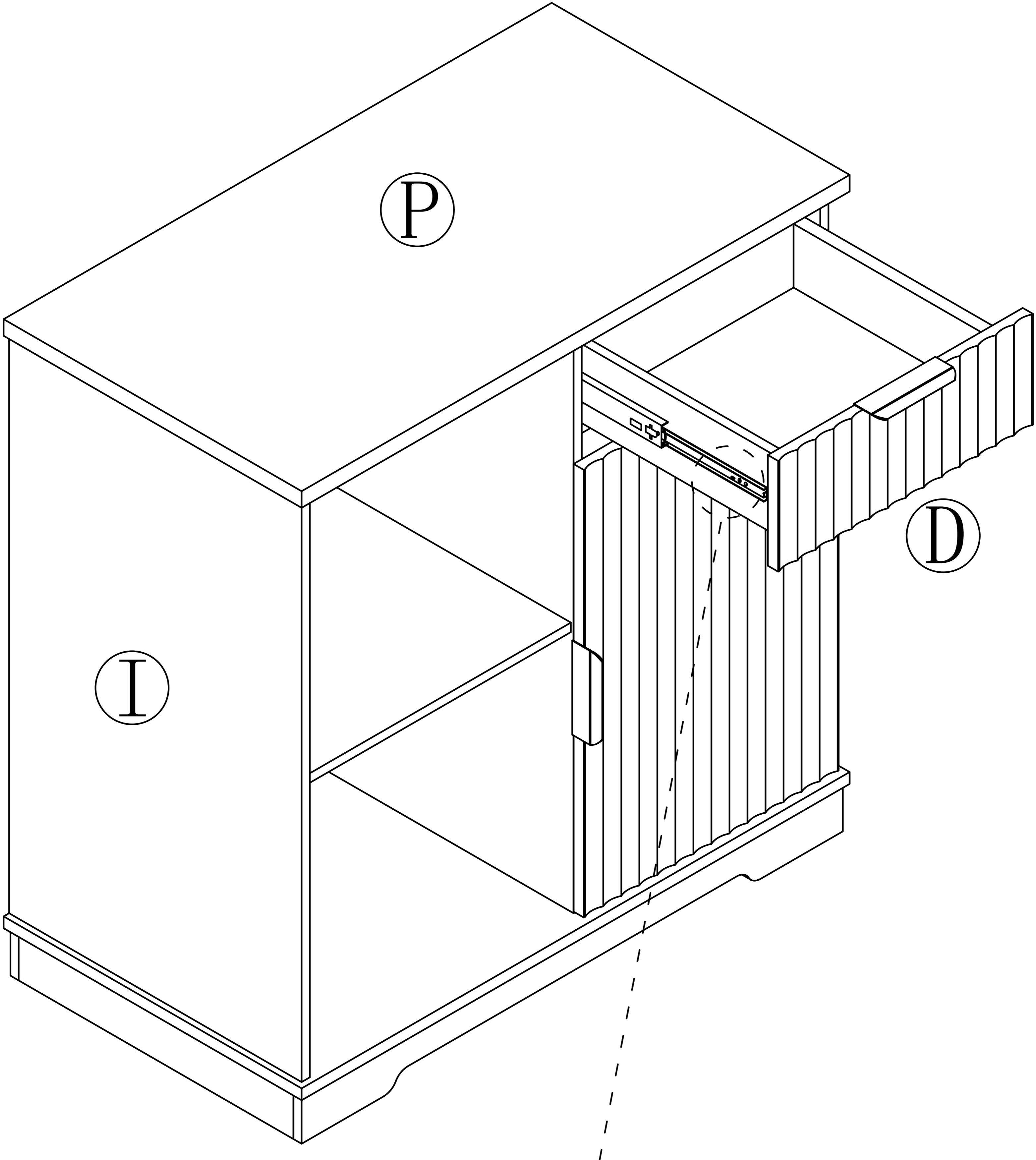


As shown, When installing the drawer, pull the guide rail out first, Slide beads are also pulled out.

Step 39

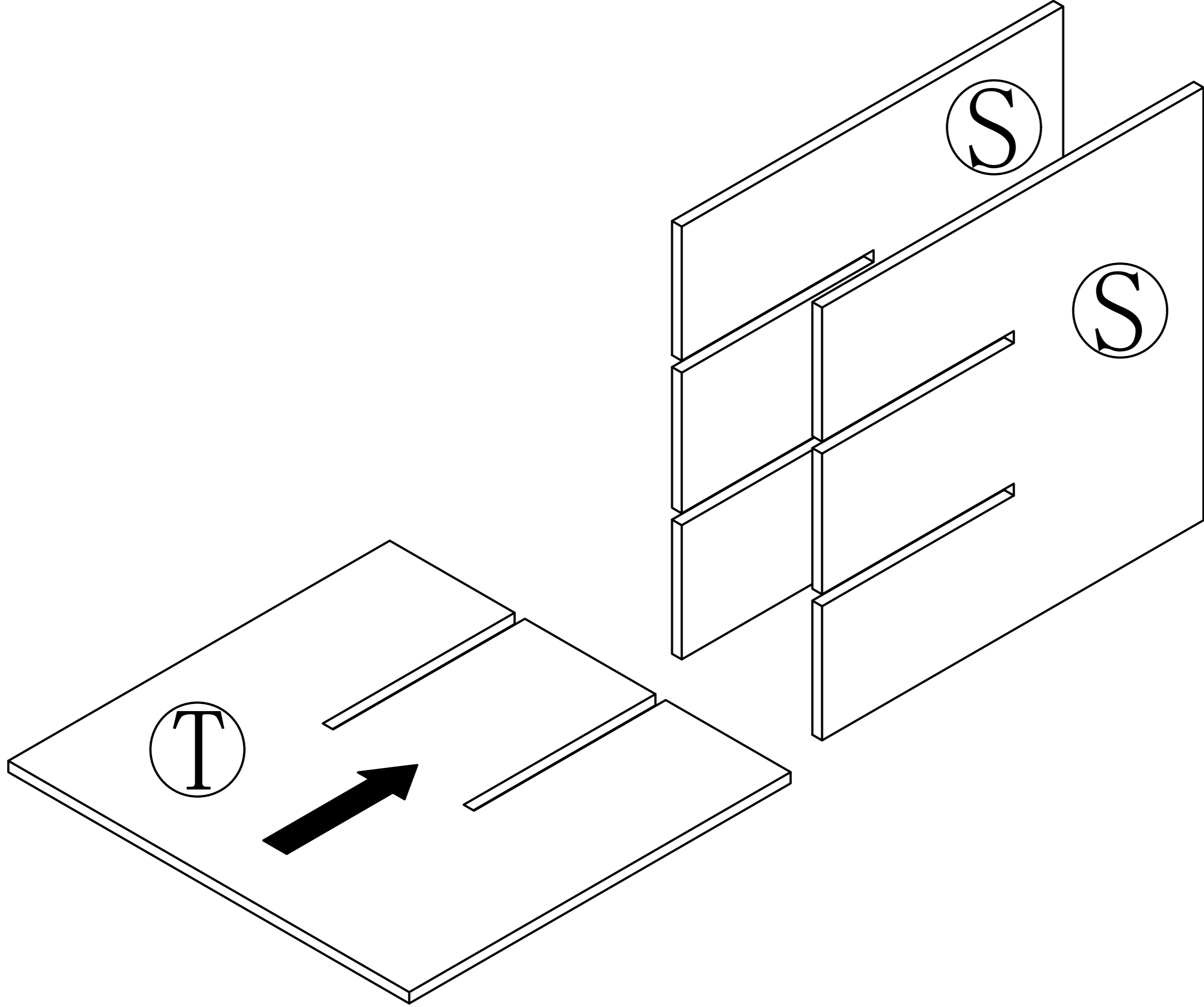


Step 40

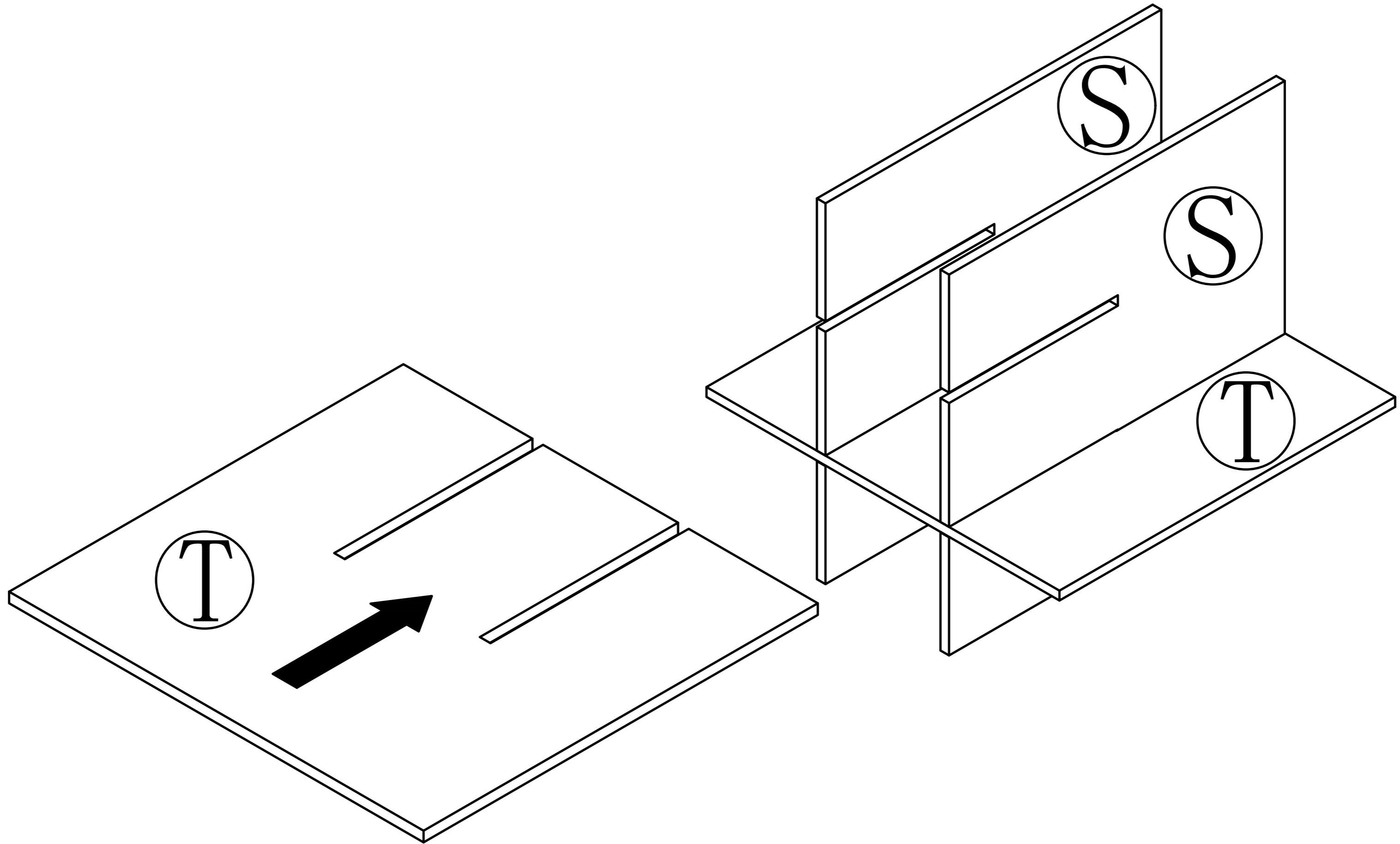


If a large gap is found after installing the drawer the slide rail can be moved up and down to adjust the gap

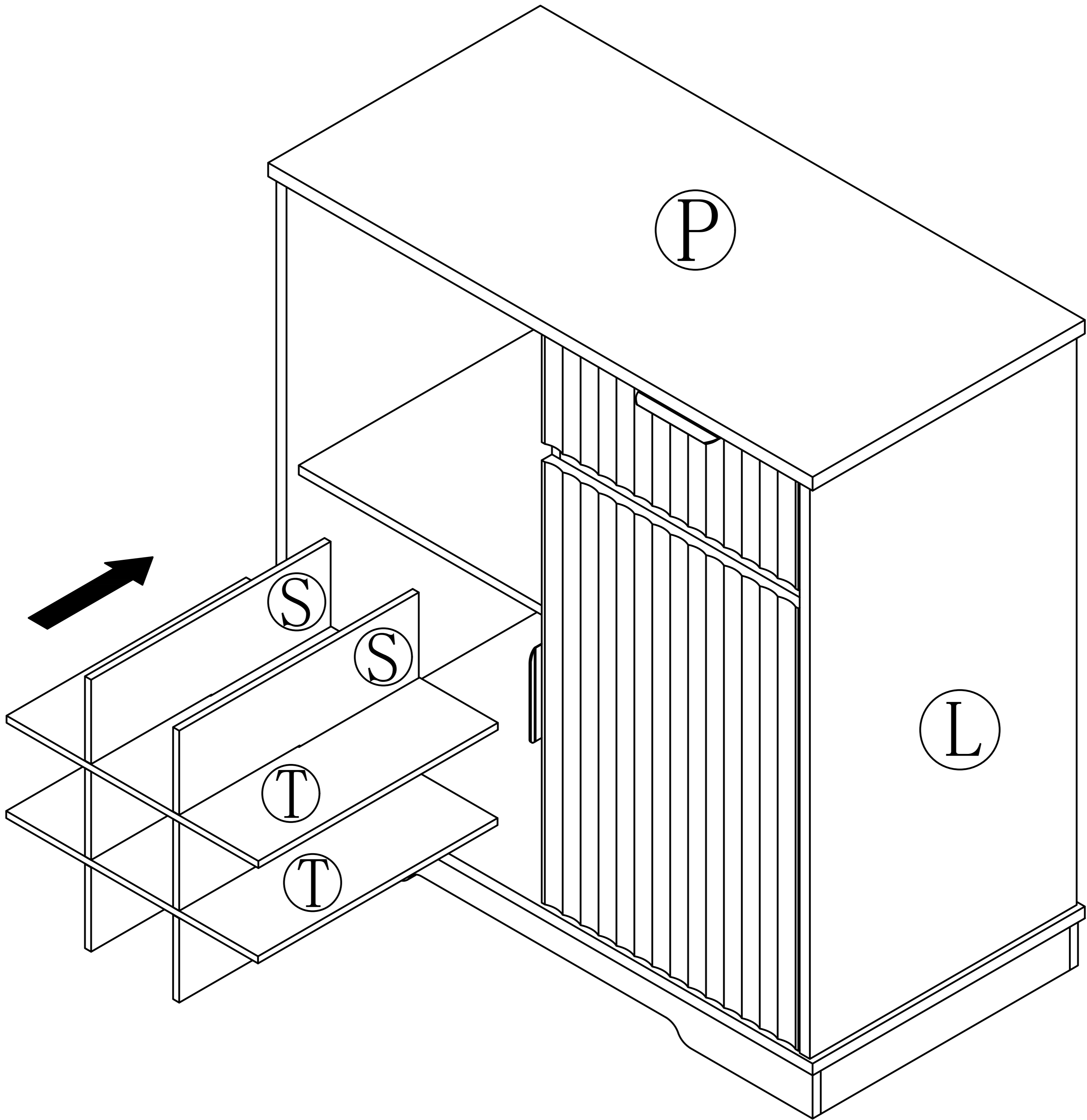
Step 41



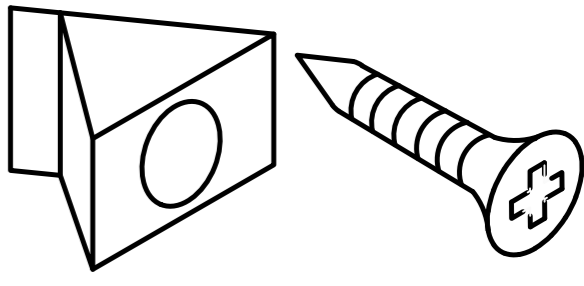
Step 42

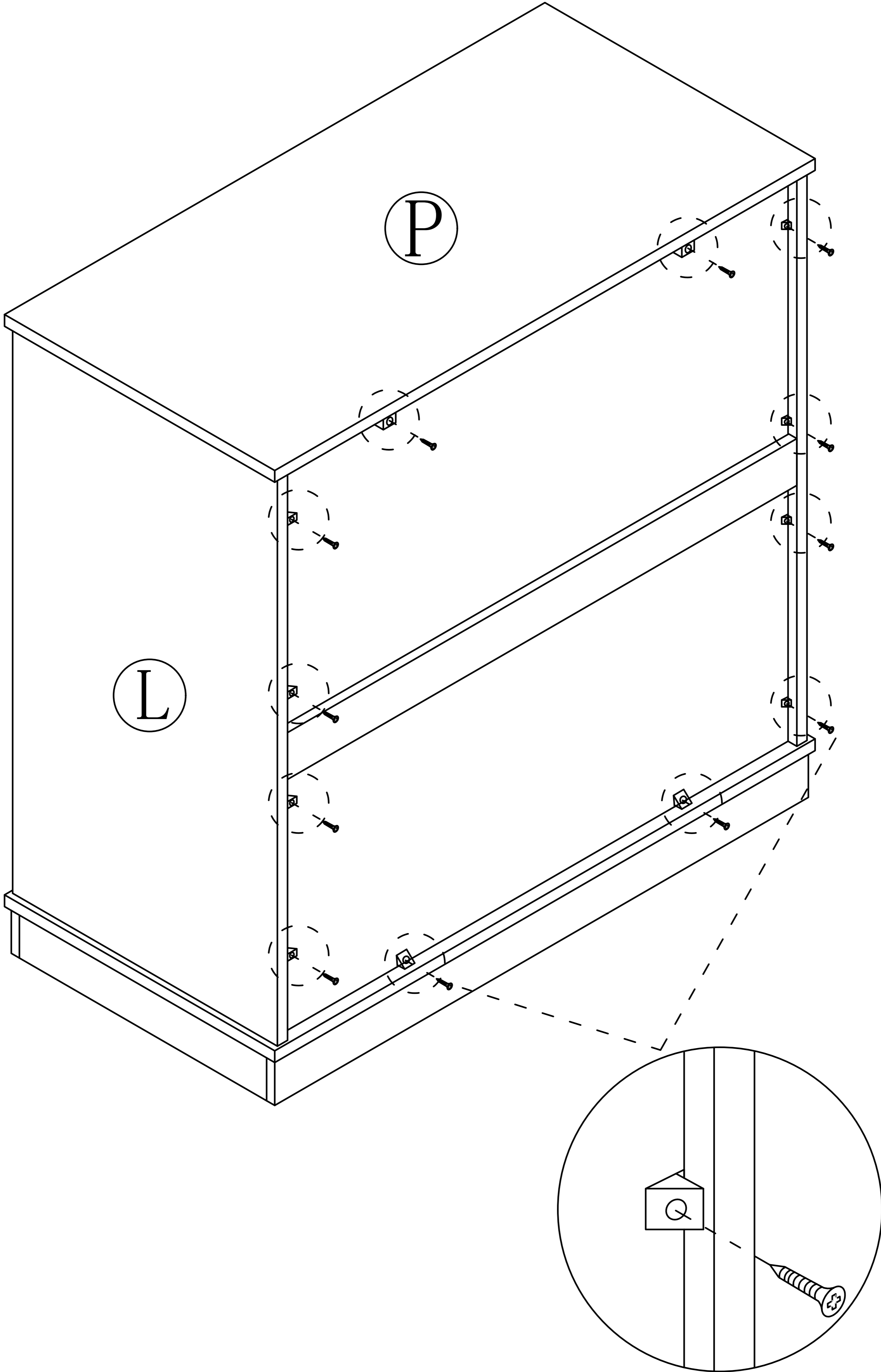


Step 43

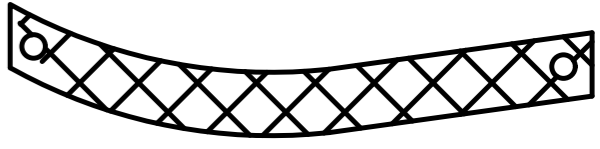
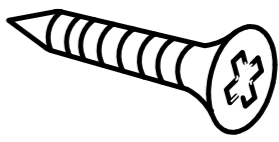
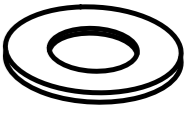


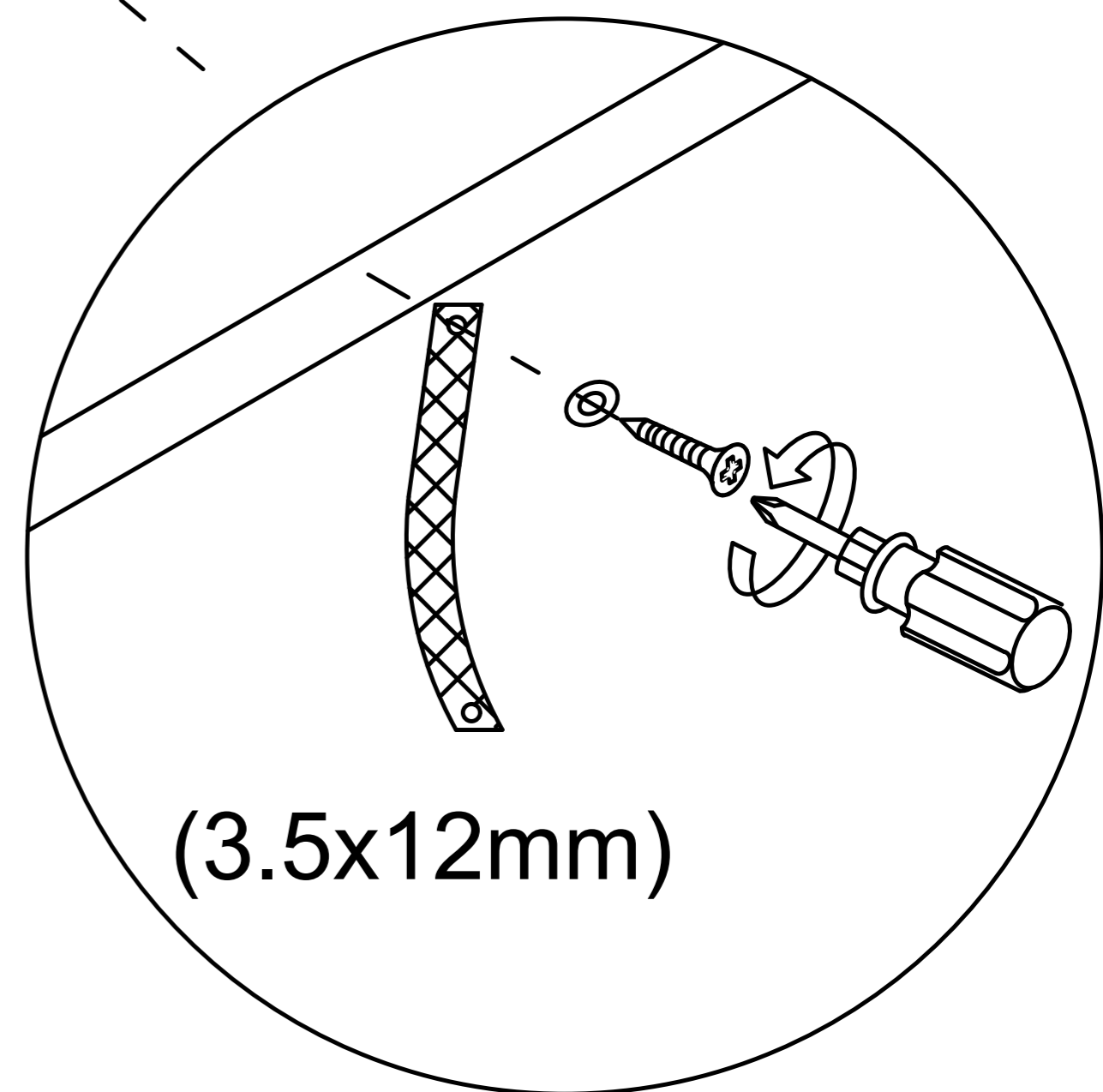
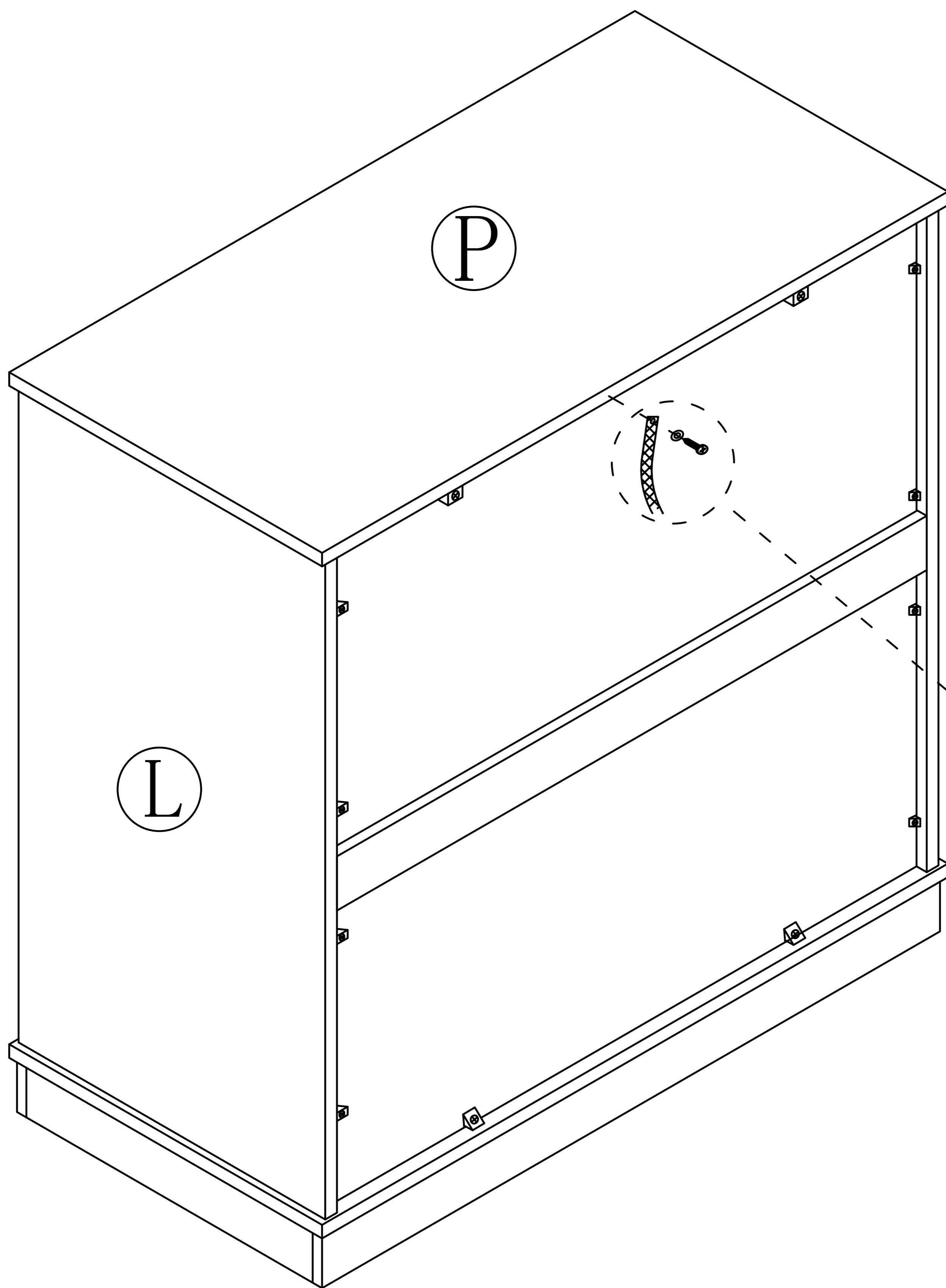
Step 44

9  x12

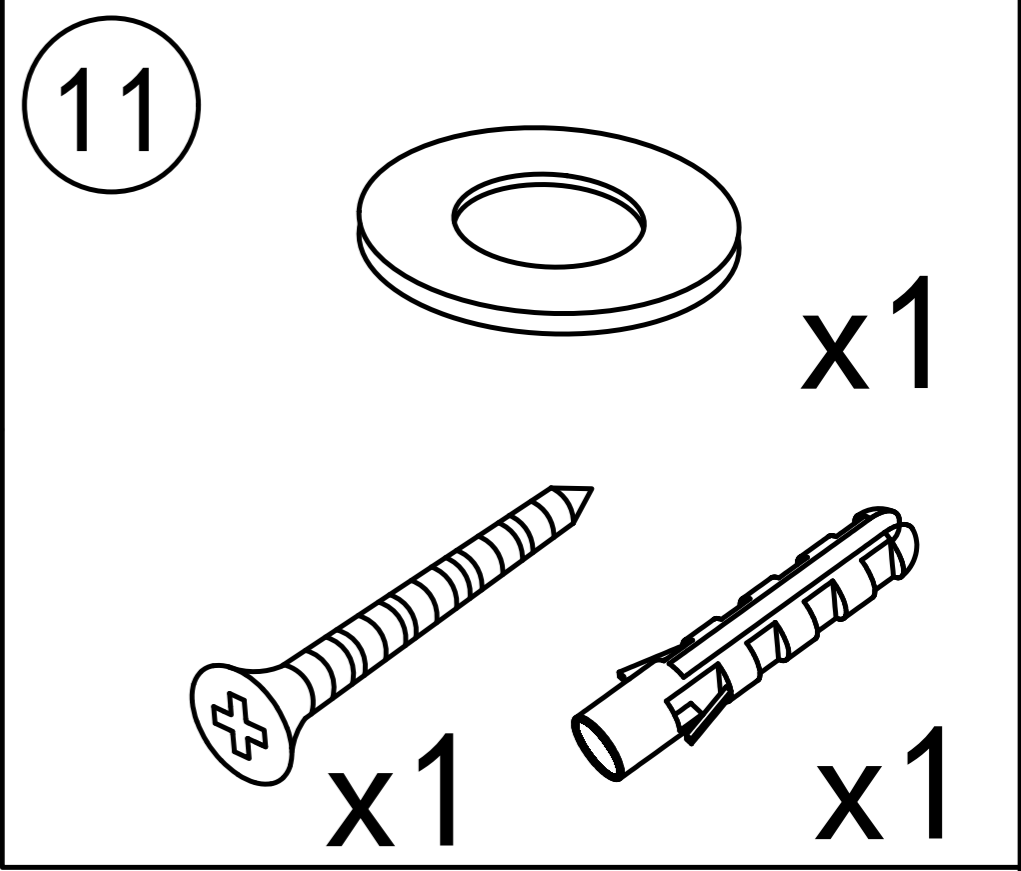
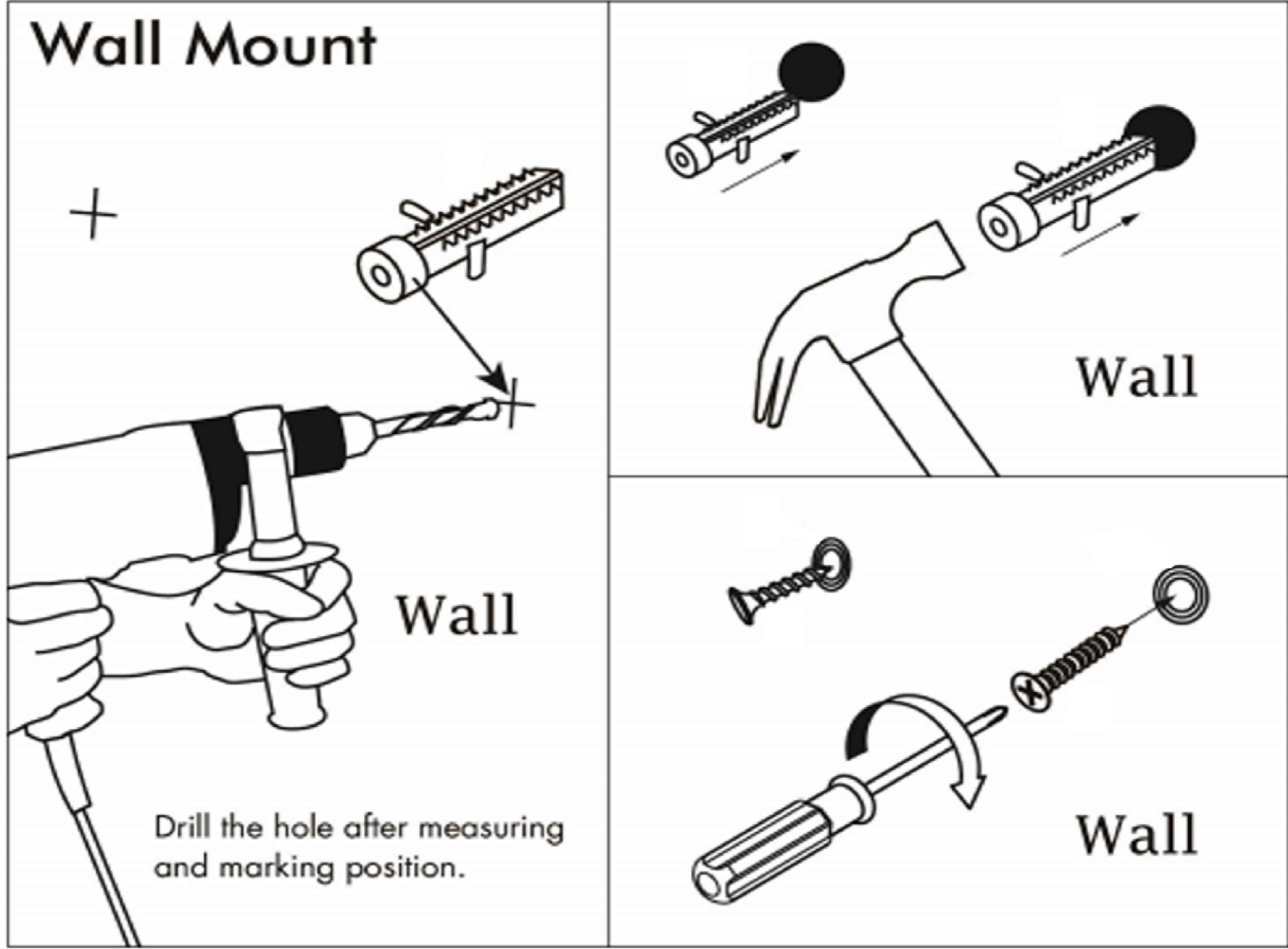


Step 45

- 11  x1
-  x1
-  x1



Step 46



wall

Fasten the cabinet to the wall

