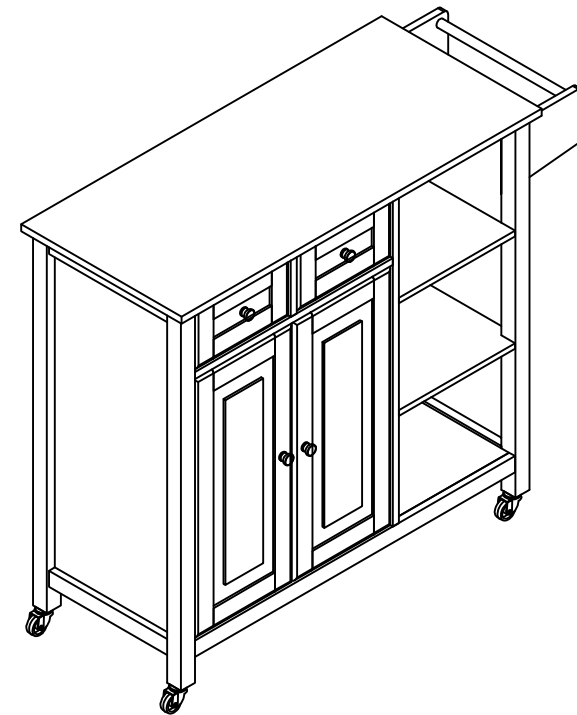


**ASSEMBLY INSTRUCTIONS**  
**GGIN0206**



# ATTENTION

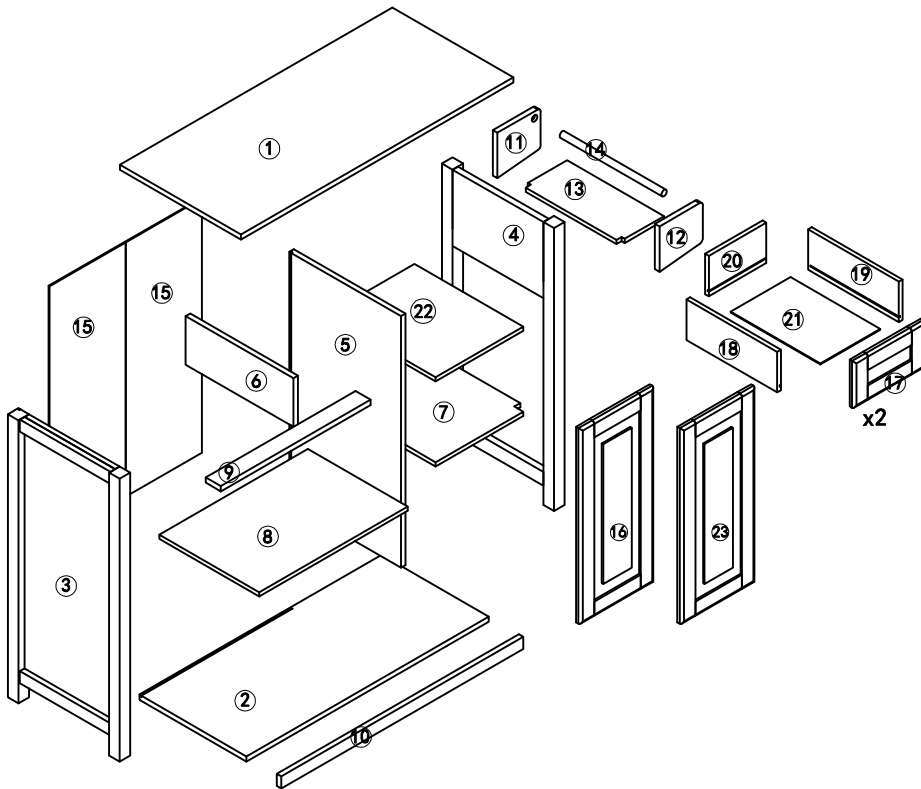
**Thanks for choosing our product.**

 **For Amazon/Wayfair/Walmart Customers:**  
[info@homrest.com](mailto:info@homrest.com)

**For HOMREST Website Customers:**  
[service@homrest.com](mailto:service@homrest.com)

- 1. Please check the manual carefully and make sure you have received all the parts.**
- 2. If there is any missing part, please let us know the letter of the parts you need.**
- 3. If there is any damage part, please send clear photos to us, we will check and offer you best solution soon.**

## Assembly Instruction



## WARRANTY

So glad you have completed the assembly and can enjoy it.

If you are satisfied with our products, thank you for showing it to your around.

Our products come with a 12-month warranty, please register within 30 days by send “ your name + order ID” to

[info@homrest.com](mailto:info@homrest.com)

## AFTER-SALE POLICY

### For return reason:

Wrong purchase, bought by mistake, no longer needed, doesn't meet expectation, a size smaller than expectation, customer need to cover the return shipping fee.

### For cancel order:

Customer needs to pay for shipping fee and carrier handle fee if the item has been shipped out.



For change address: customer needs to pay for extra shipping fee and carrier handle fee if the item has been shipped out.

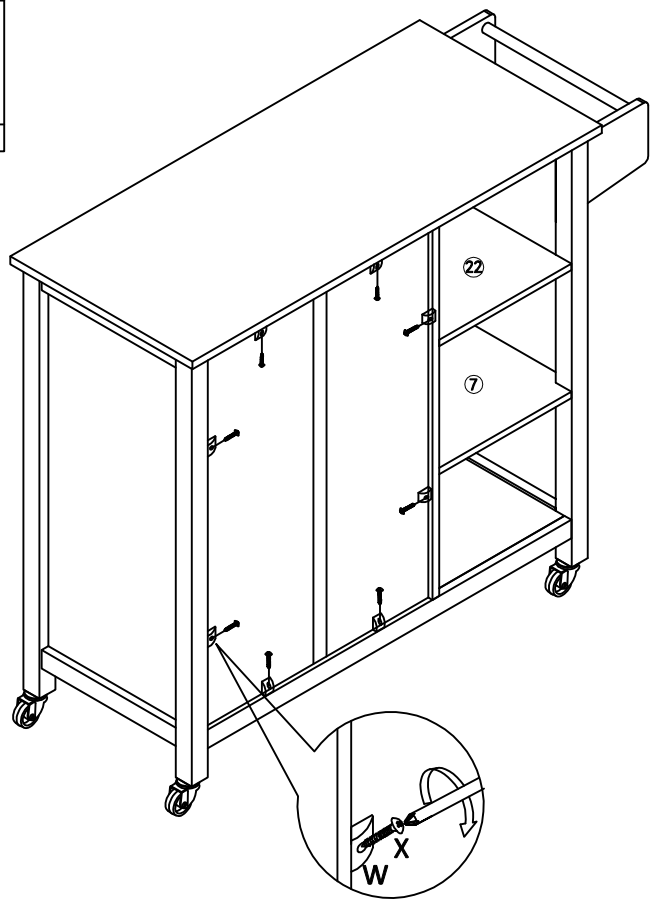
### Customer Service:

Any problem with the product or shipping issue, please feel free to contact us, we will try our best to serve and help.

# Assembly Instruction

## Step 16

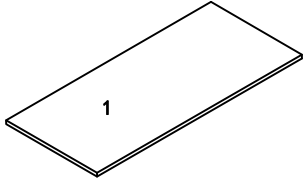
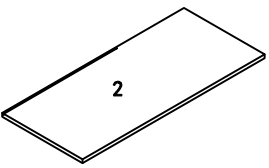
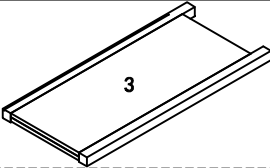
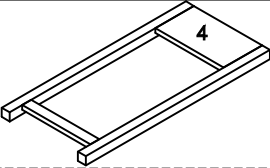
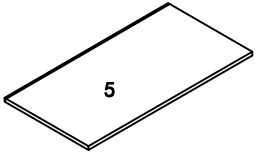
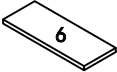
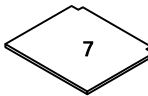
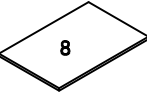
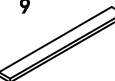
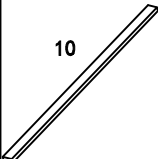


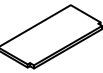
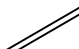
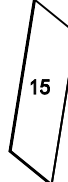
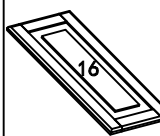

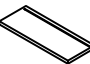


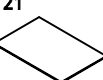
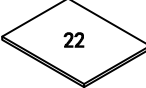
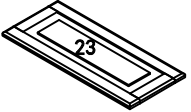
<b>W</b>	
	15*11*10
	8 pcs
<b>X</b>	
	φ3*15
	8 pcs



16

# Assembly Instruction


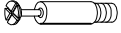





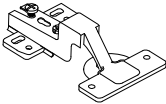





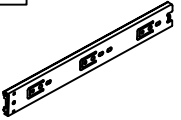


## Parts List

						
1 pc		1 pc				
						
1 pc		1 pc				
						
1 pc	1 pc	1 pc	1 pc	1 pc		
						
1 pc	1 pc	1 pc	1 pc	1 pc	1 pc	1 pc
						
2 pcs	2 pcs	2 pcs	2 pcs	2 pcs	1 pc	1 pc

1


# Assembly Instruction

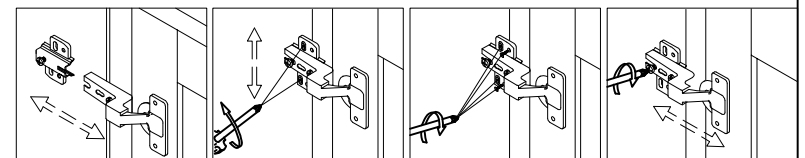
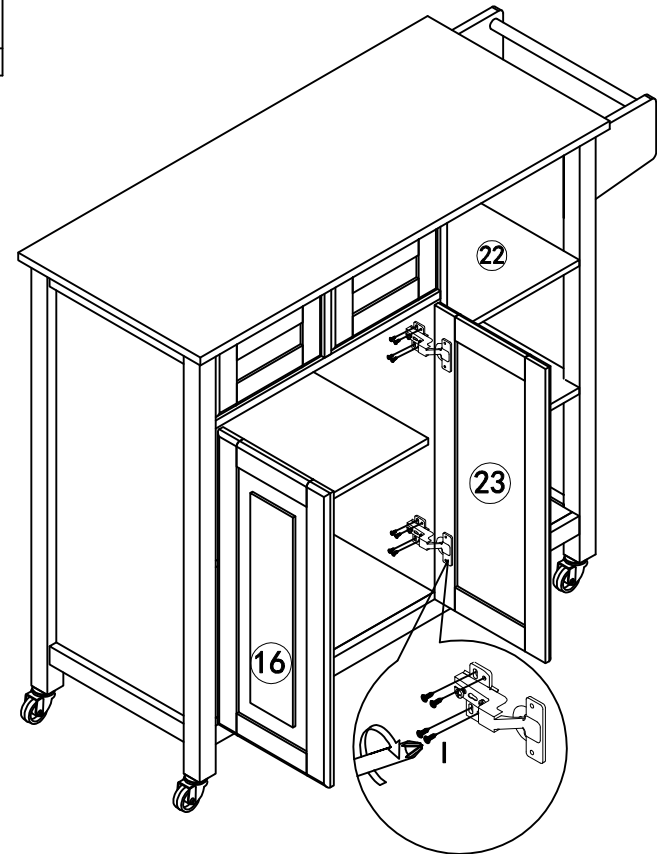
## Hardware List

<b>A</b>	<b>B</b>	<b>C</b>	<b>D</b>
			
$\phi 15 \times 9$	$\phi 6 \times 35$	$\phi 8 \times 30$	M4*20
40 pcs	40 pcs	22 pcs	2 pcs
<b>E</b>	<b>F</b>	<b>G</b>	<b>H</b>
			
M4*10	$\phi 3 \times 12$	$\phi 6 \times 17$	$\phi 35$
2 pcs	20 pcs	4 pcs	4 pcs
<b>I</b>	<b>J</b>	<b>K</b>	<b>L</b>
			
$\phi 3.5 \times 15$	M4	$\phi 3 \times 25$	$\phi 24 \times 27$
28 pcs	1 pc	8 pcs	4 pcs
<b>M</b>	<b>N</b>	<b>O</b>	<b>P</b>
			
$\phi 7 \times 50$	12"	12"	2.5"
4 pcs	4 pcs	4 pcs	2 pcs

# Assembly Instruction







## Step 15

**I**  
  
 $\phi 3.5 \times 15$   
 16 pcs



# Assembly Instruction

**Step 14**

<b>F</b>  φ3*12 2 pcs	<b>S</b>  φ3*12 2 pcs	<b>D</b>  M4*20 2 pcs
<b>L</b>  φ24*27 2 pcs	<b>H</b>  φ35 4 pcs	<b>I</b>  φ3.5*15 8 pcs

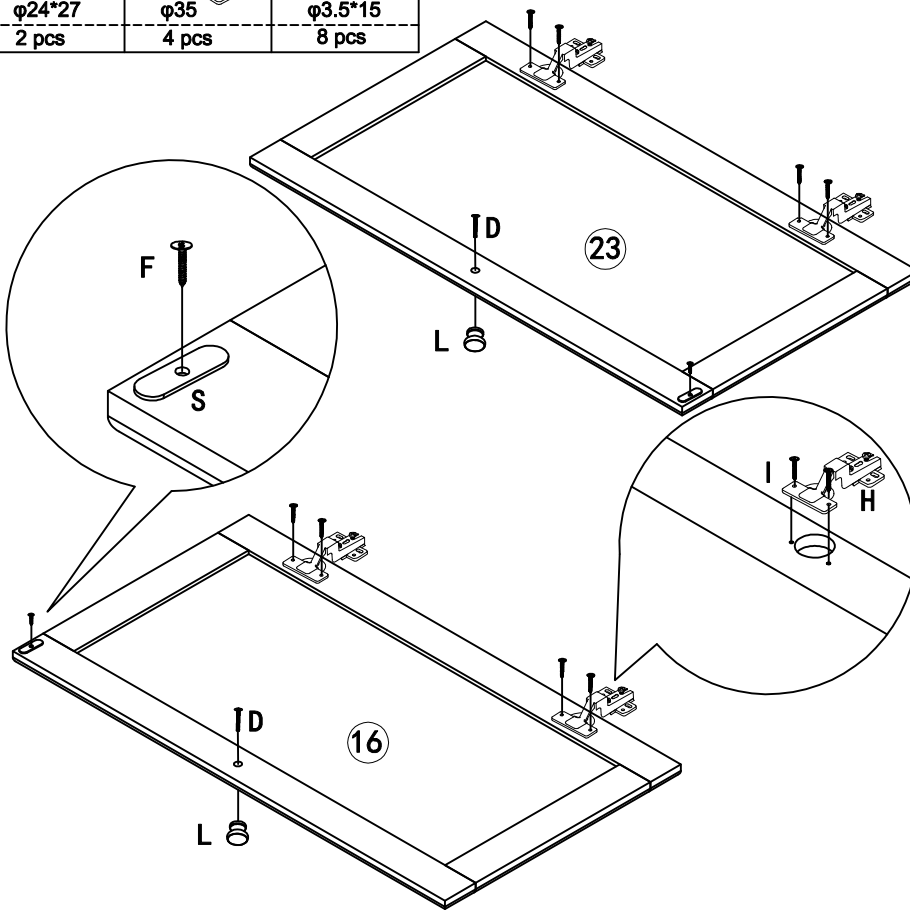

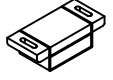


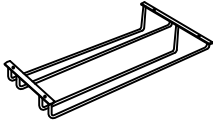



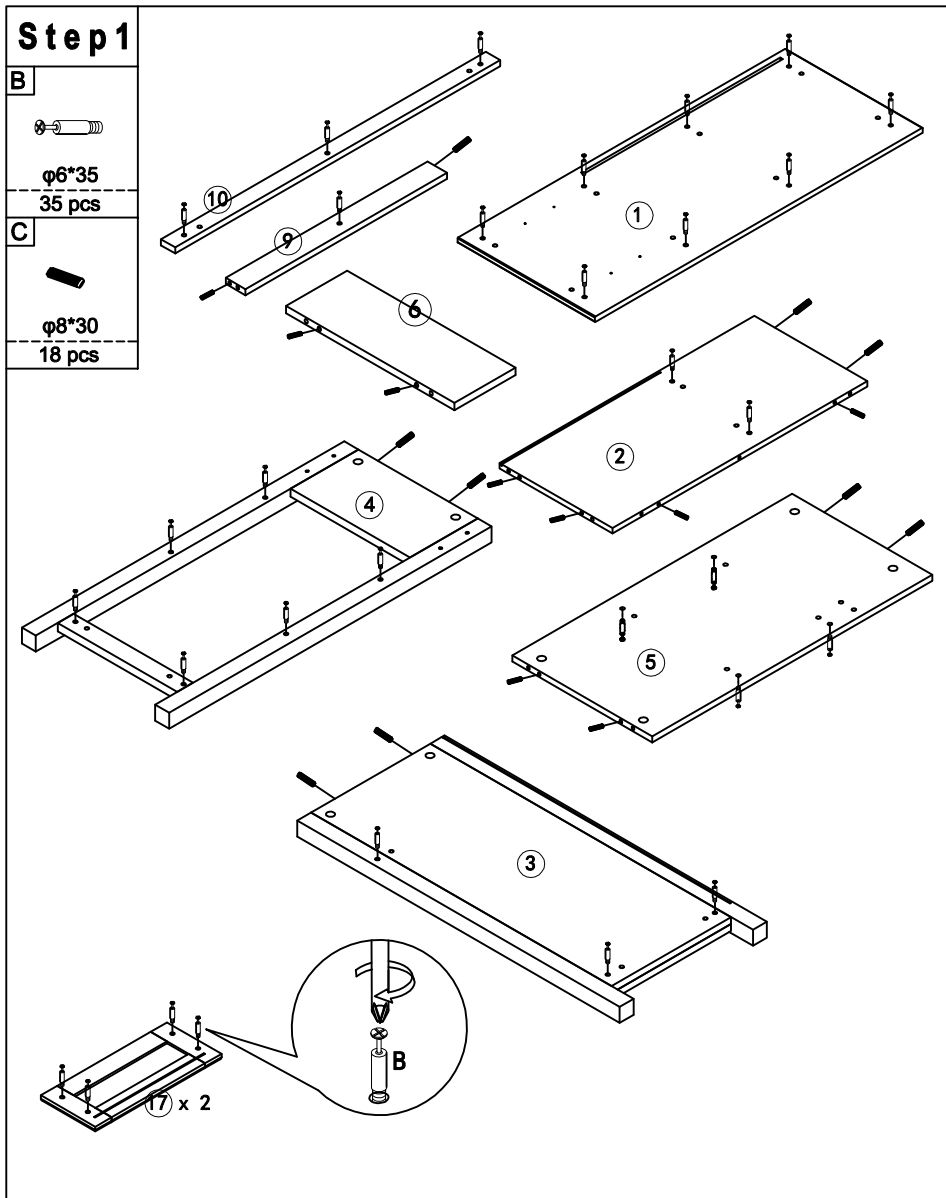


Diagram labels: F, S, D, L, H, I, 23, 16.

# Assembly Instruction

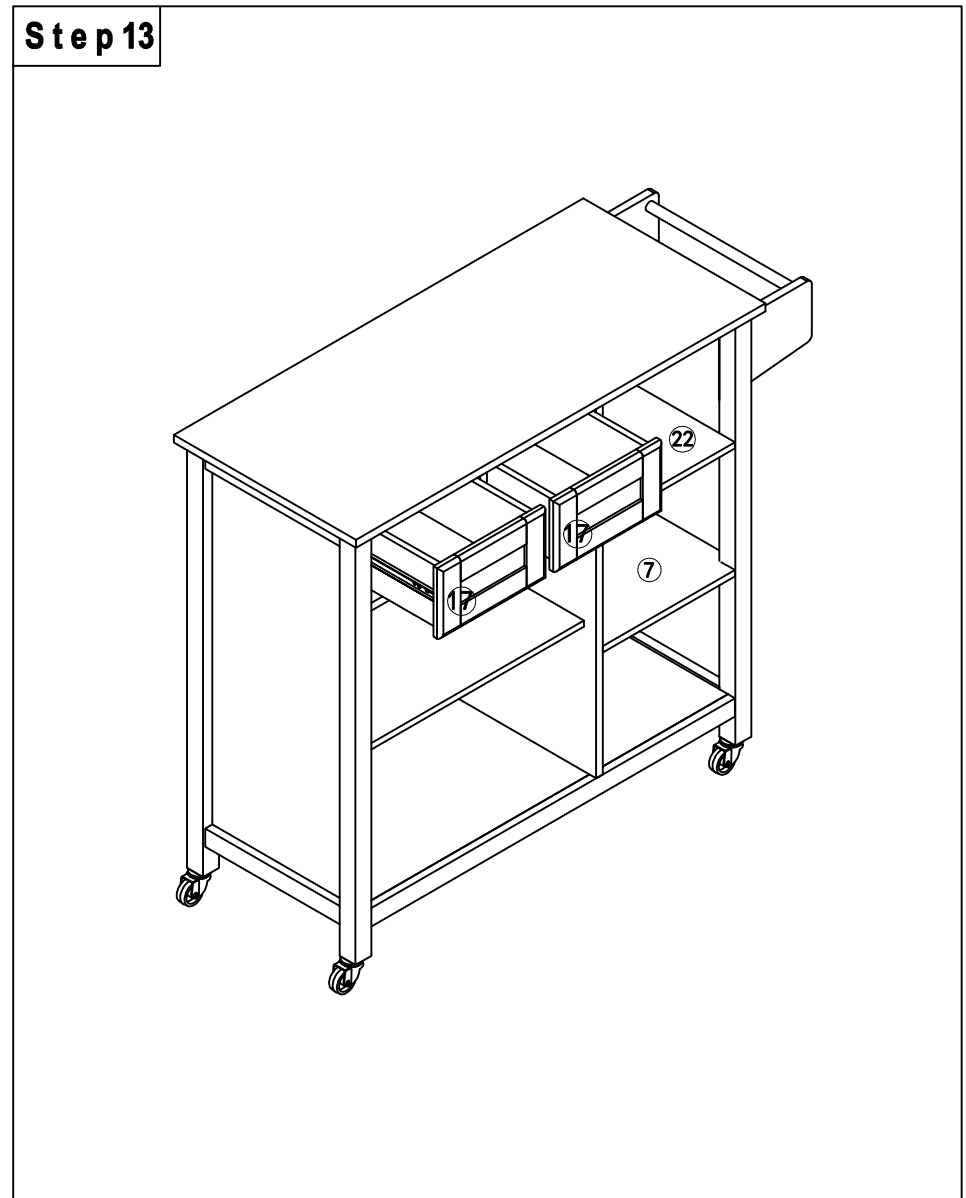
Hardware List			
<b>Q</b>  2.5" 2 pcs	<b>R</b>  40*20*12 1 pc	<b>S</b>  35*12*1 2 pcs	<b>T</b>  φ20 10 pcs
<b>U</b>  270 1 pc	<b>V</b>  12# 1 pc	<b>W</b>  15*12*10 8 pcs	<b>X</b>  φ3*15 8 pcs

# Assembly Instruction



4



# Assembly Instruction

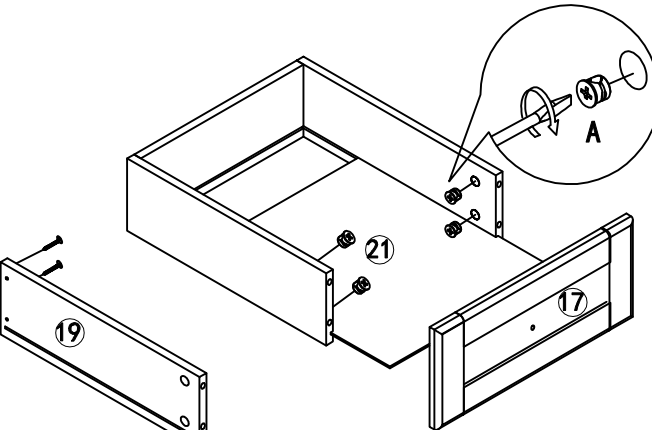


13

# Assembly Instruction





**Step 11**

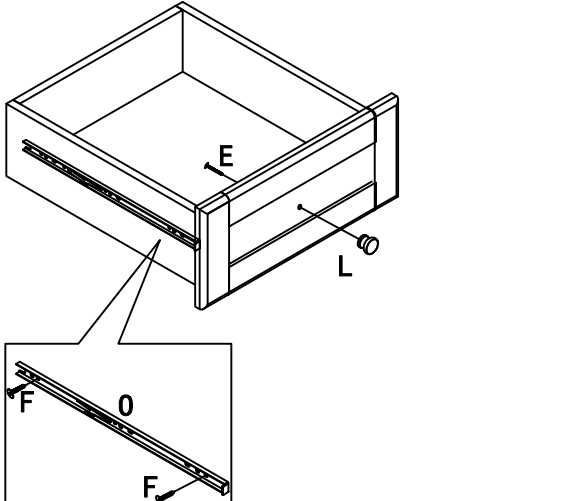
<b>A</b>		$\phi 15 \times 9$ 8 pcs
<b>K</b>		$\phi 3 \times 25$ 8 pcs



x 2

**Step 12**

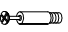


<b>F</b>		$\phi 3 \times 12$ 8 pcs
<b>O</b>		12" 4 pcs
<b>E</b>		M4*10 2 pcs
<b>L</b>		$\phi 24 \times 27$ 2 pcs

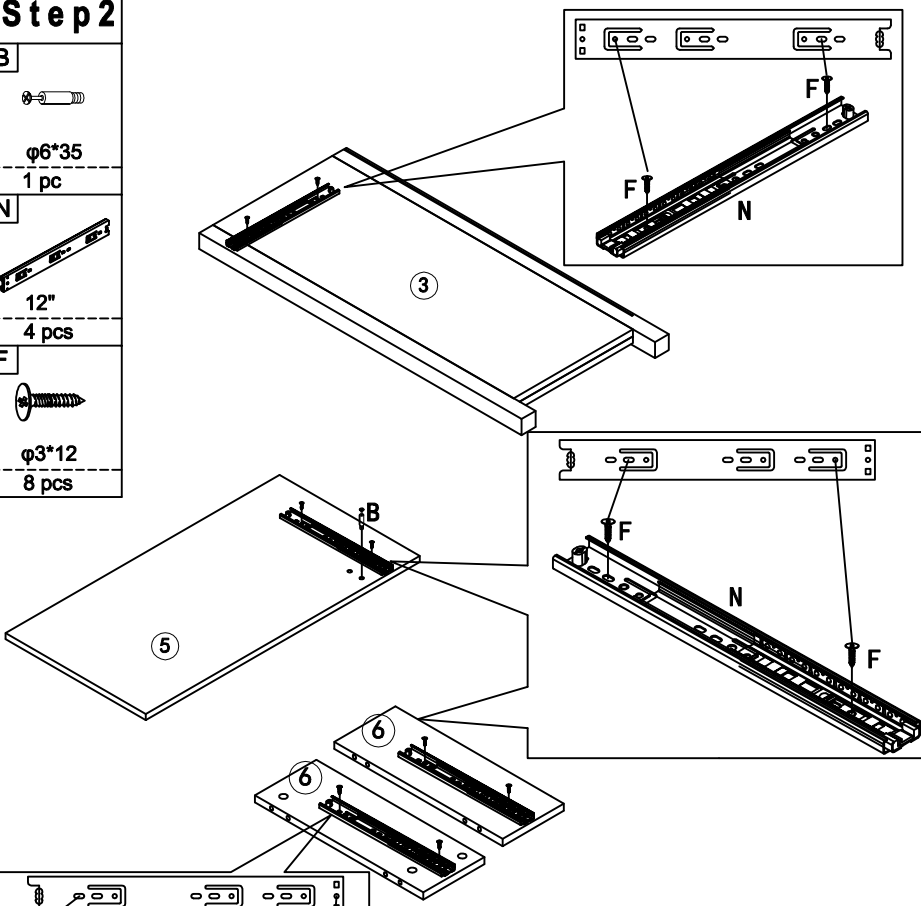


x 2

# Assembly Instruction

**Step 2**

<b>B</b>		$\phi 6 \times 35$ 1 pc
<b>N</b>		12" 4 pcs
<b>F</b>		$\phi 3 \times 12$ 8 pcs



x 2

# Assembly Instruction

## Step 2

F

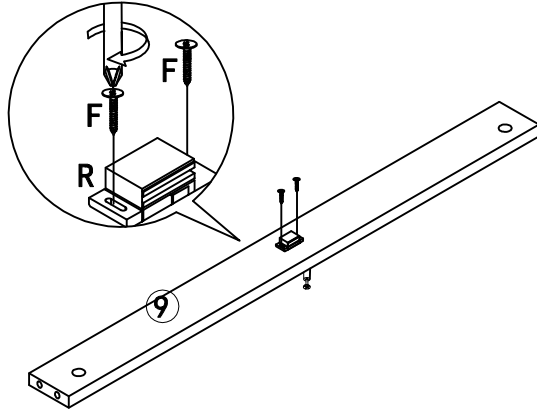


φ3\*12  
2 pcs

R



40\*20\*12  
1 pc

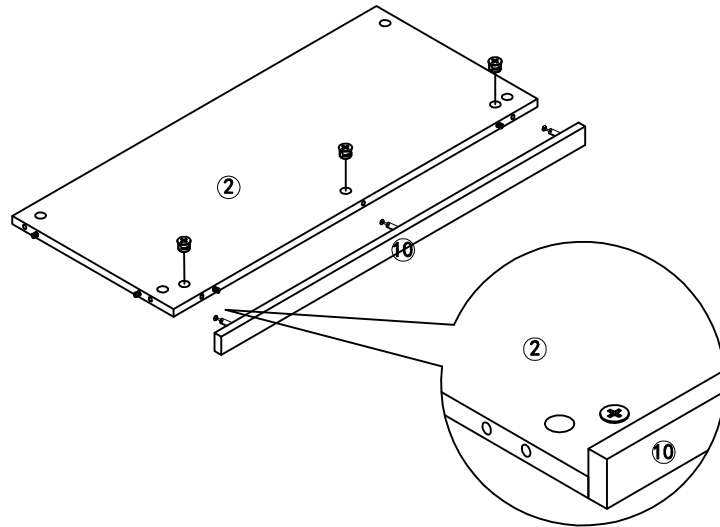


## Step 3

A



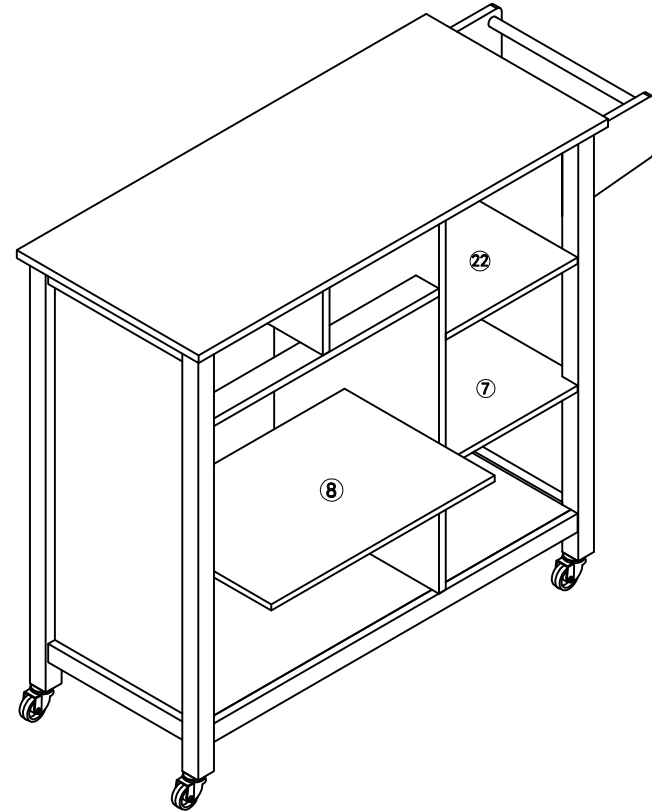
φ15\*9  
3 pcs



6

# Assembly Instruction



## Step 10



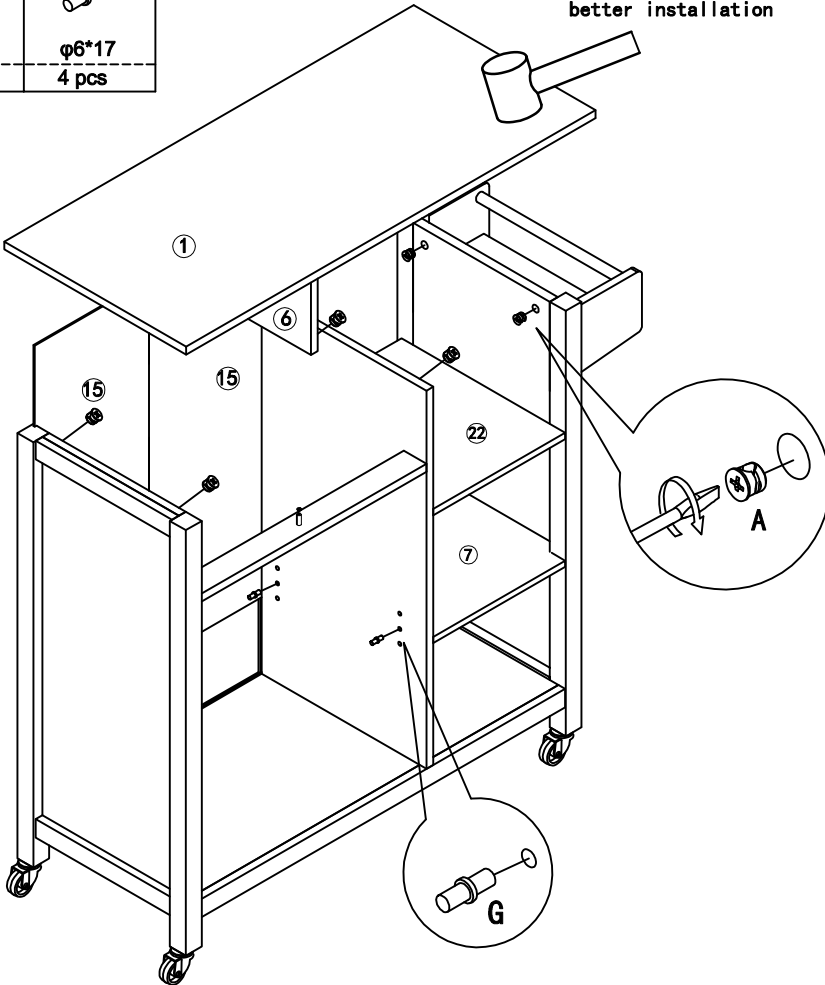
11

# Assembly Instruction

**Step 9**


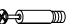
<b>A</b>	<b>G</b>
	
φ15*9 7 pcs	φ6*17 4 pcs

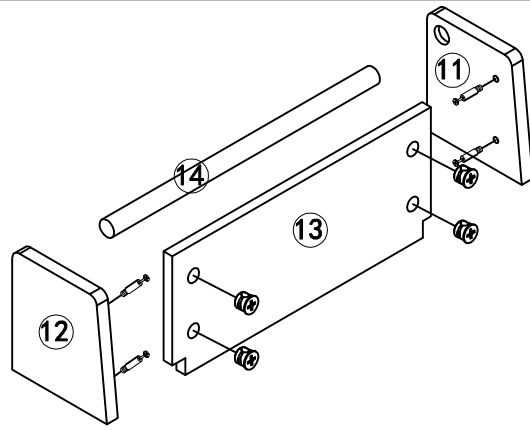
Recommended to use a wooden hammer for better installation





# Assembly Instruction

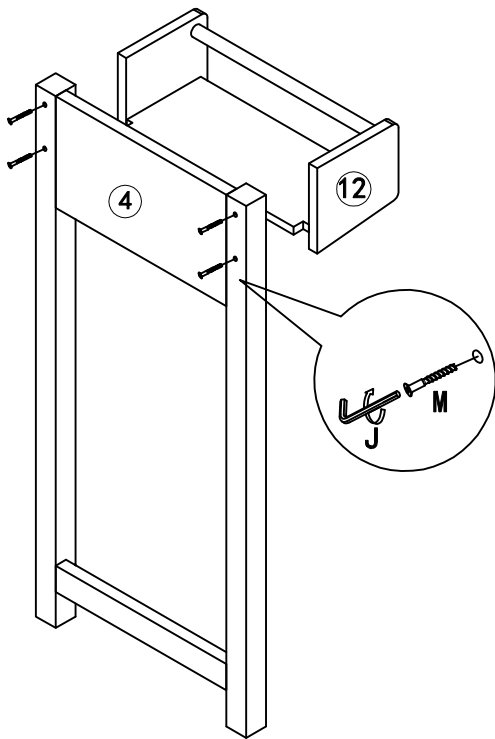
**Step 4**

<b>A</b>

φ15*9 4 pcs
<b>B</b>

φ6*35 4 pcs




**Step 5**

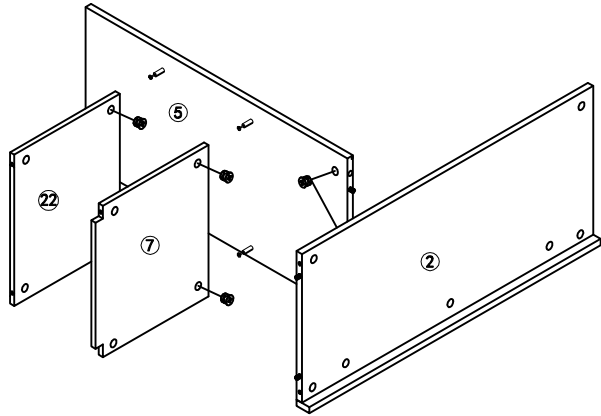
<b>M</b>

φ7*50 4 pcs
<b>J</b>

M4 4 pcs




# Assembly Instruction


## Step 6


<b>A</b>	
φ15*9 6 pcs	

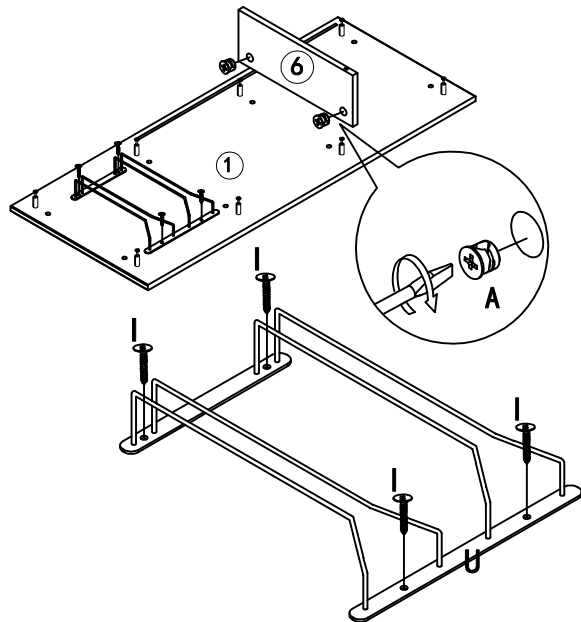


## Step 7

<b>A</b>	
φ15*9 2 pcs	

<b>I</b>	
φ3.5*15 4 pcs	



<b>U</b>	
270 1 pc	





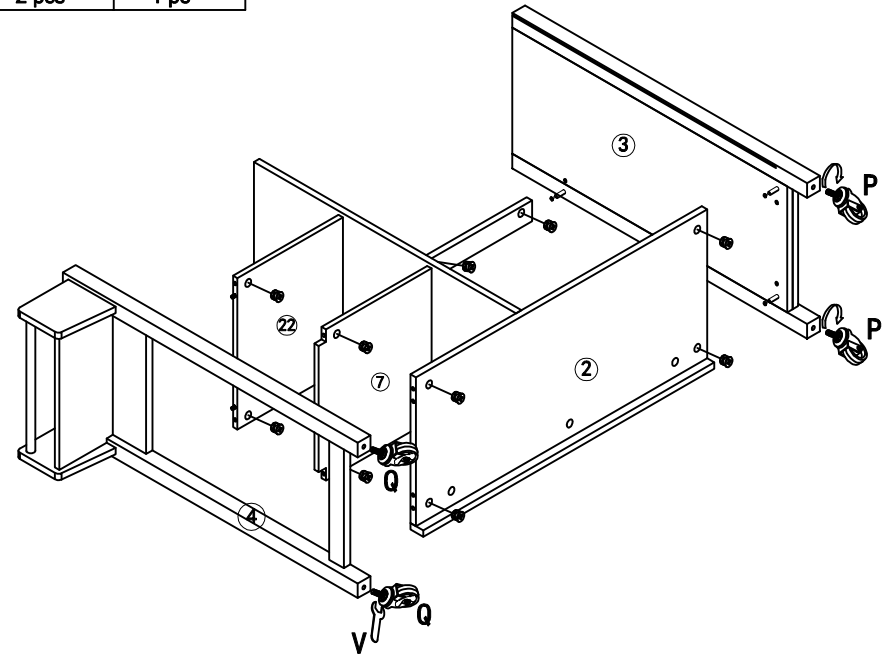
8

# Assembly Instruction

## Step 8

<b>A</b>		<b>P</b>	
φ15*9 10 pcs		2.5"	

<b>Q</b>		<b>V</b>	
2.5" 2 pcs		12# 1 pc	



9