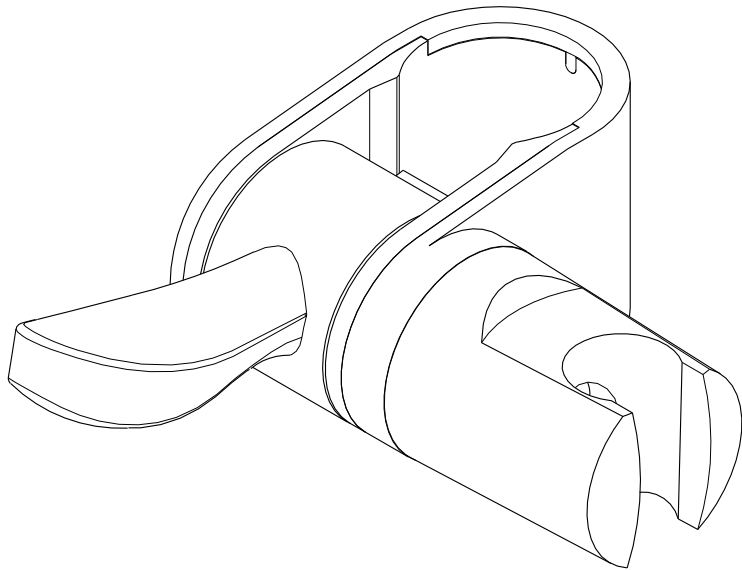


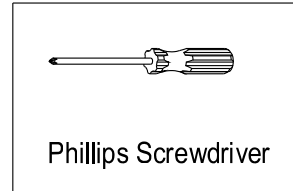
KINGSTON BRASS

THE TRADITION OF FINE BRASS

Add-On Shower Holder for Grab Bar Installation

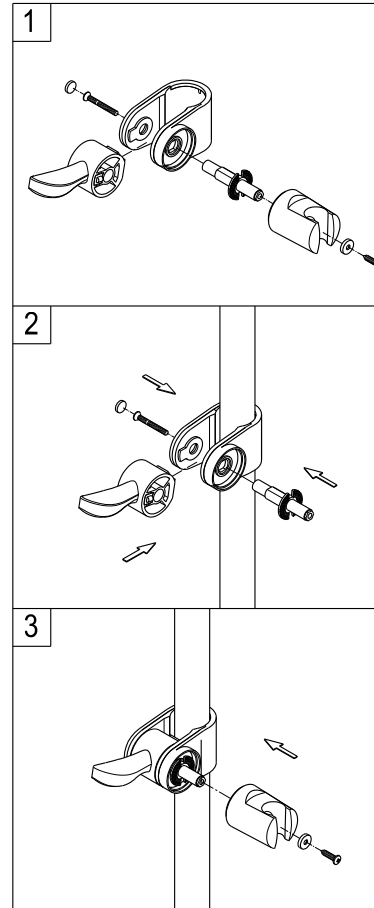


Need Tools:



Phillips Screwdriver

Installation:



1. To disassemble the Add-On Holder before install to the grab bar.

2. Gently install the handle and white insert into the bracket with the long Flathead screw.
Then Covered the screw hole with a black rubber cap.

3. Placed the shower holder into the bracket and white cap into holder with Hexagon shape facing down.
Then secure the white cap with Round head set screw.

www.kingstonbrass.com

TOLL-FREE CUSTOMER SERVICE: 1-877-2-KBRASS

TECHNICAL SUPPORT E-mail: service@kingstonbrass.com

12775 Reservoir Street, Chino, CA91710