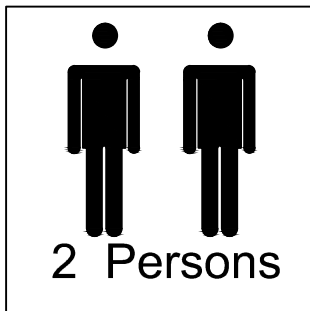
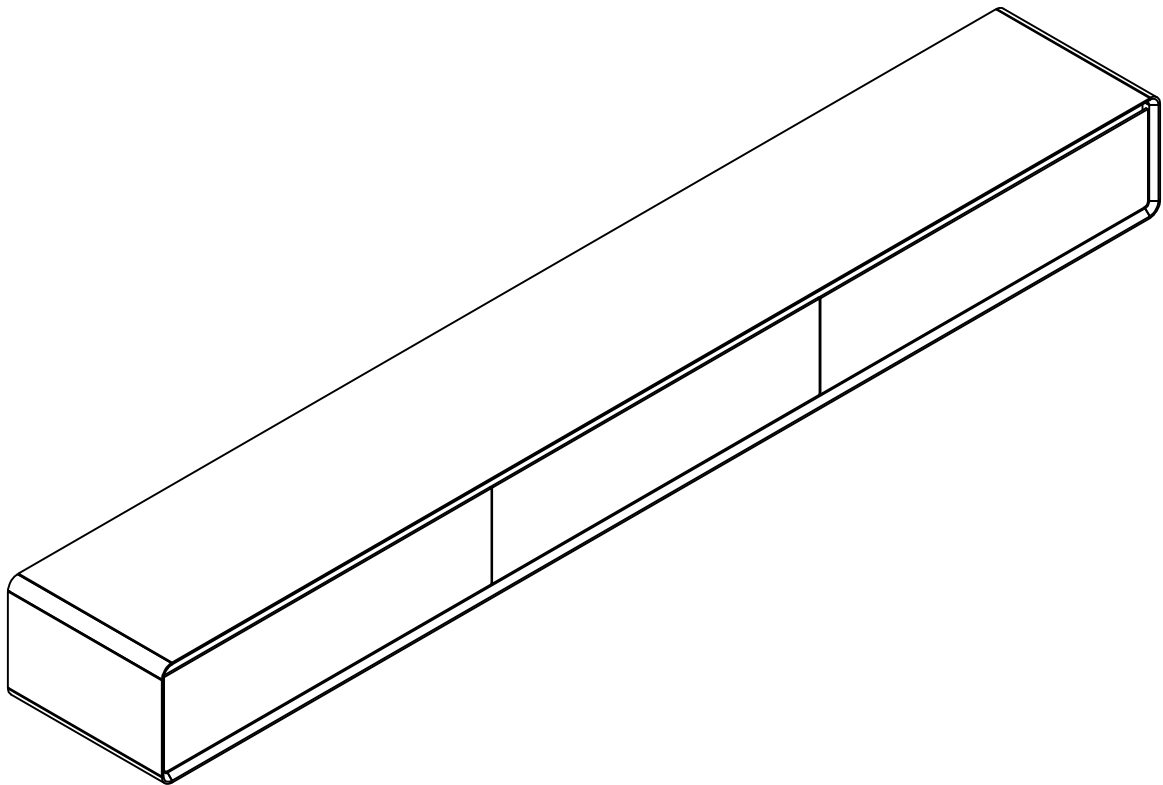
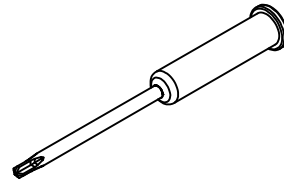


Installation

Product Manual



Tools



Cross Scerwdriver

matters need attention


During Installation

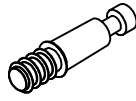
1. Do not discard packing material until assembly is complete, as small parts may loosen inside the carton during shipping. If there is a missing part, please contact our after-sales team.
2. Please assemble this item on soft surfaces such as carpets to protect the finish.
3. Pay attention to stability when assembling to avoid falling or scratching.

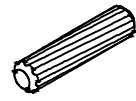
Cleaning and Maintenance

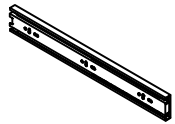
1. To protect the finish, avoid chemicals and household cleaners.
2. Keep away from the heat source to prolong the service life.
3. Wipe up any spilled liquid on top with a damp cloth.


Hardware accessories list

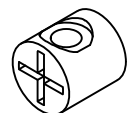
A	50PCS
	
Ø12*10mm	

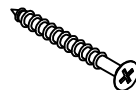
B	50PCS
	
Ø6*25mm	

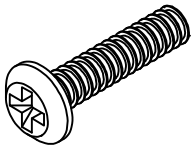
C	26PCS
	
Ø8*30mm	

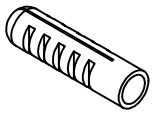
D	6PCS
	
10"	


E	36PCS
	
M3.5x12	

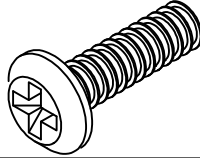
F	36PCS
	
9*9MM	

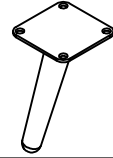
G	36PCS
	
M4*45	

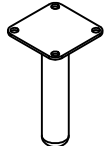
H	9PCS
	
M6*25	

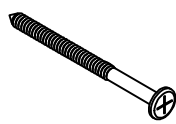
I	8PCS
	
Ø8*38mm	

J	4PCS
	
M4x30	

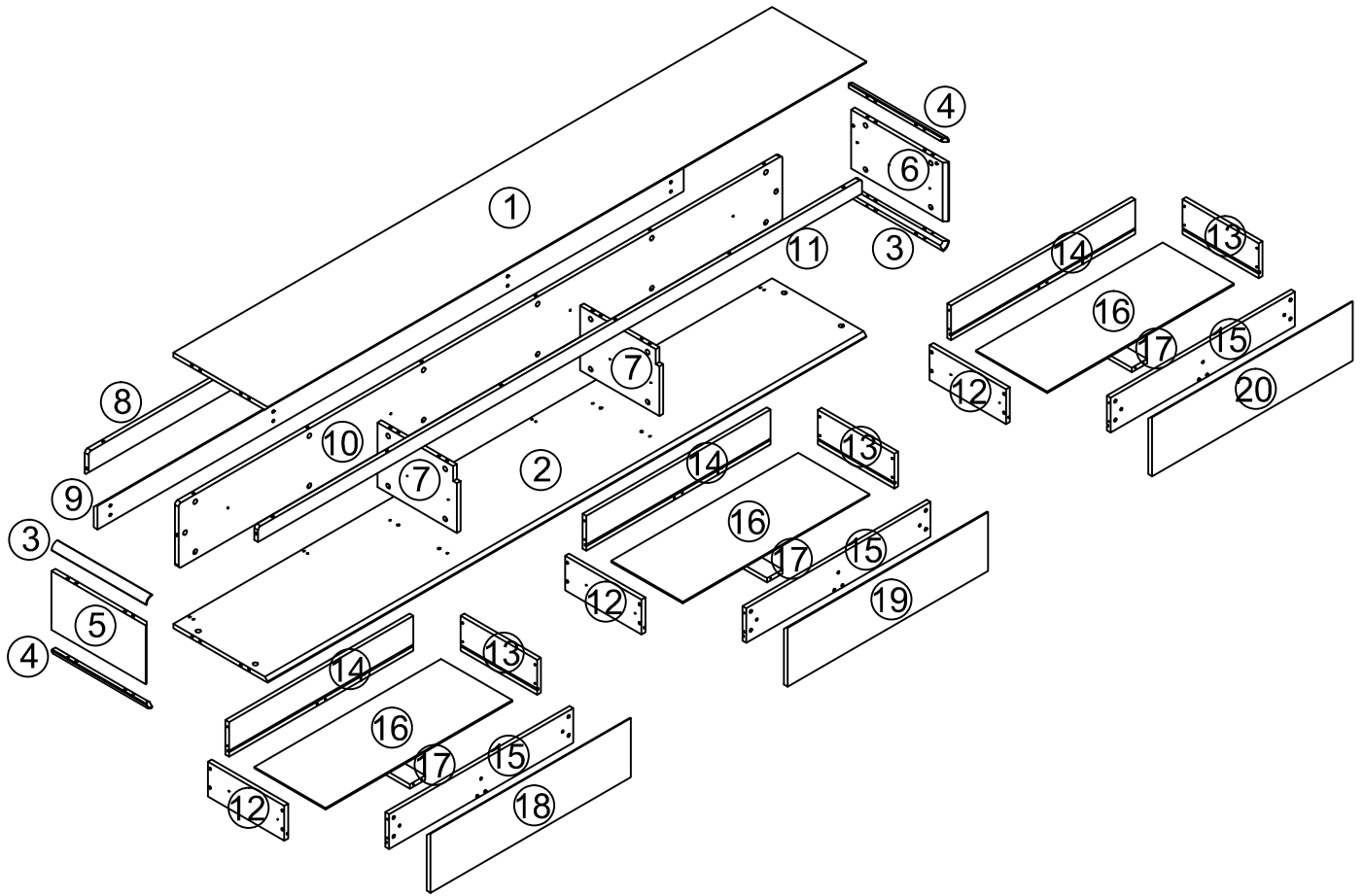
K	4PCS
	
M6x12	

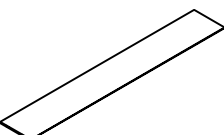
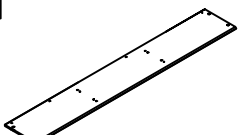
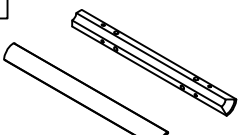
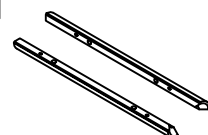
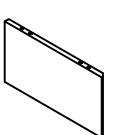
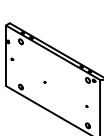
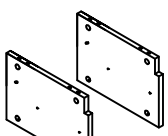
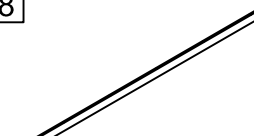
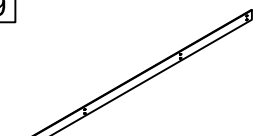
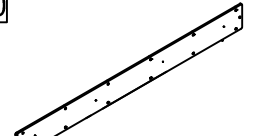
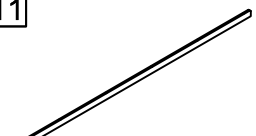
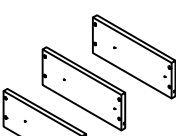
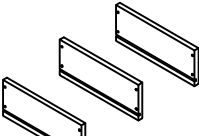
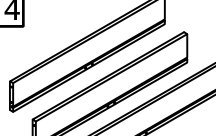
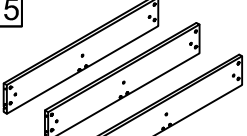
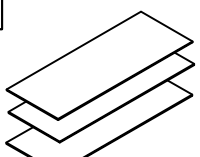
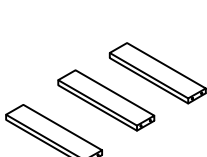
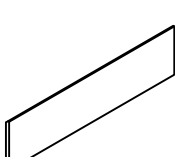
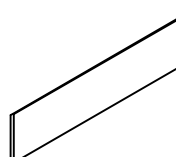
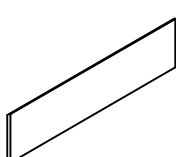
L	4PCS
	
80x80x150H	

M	4PCS
	
80x80x150H	

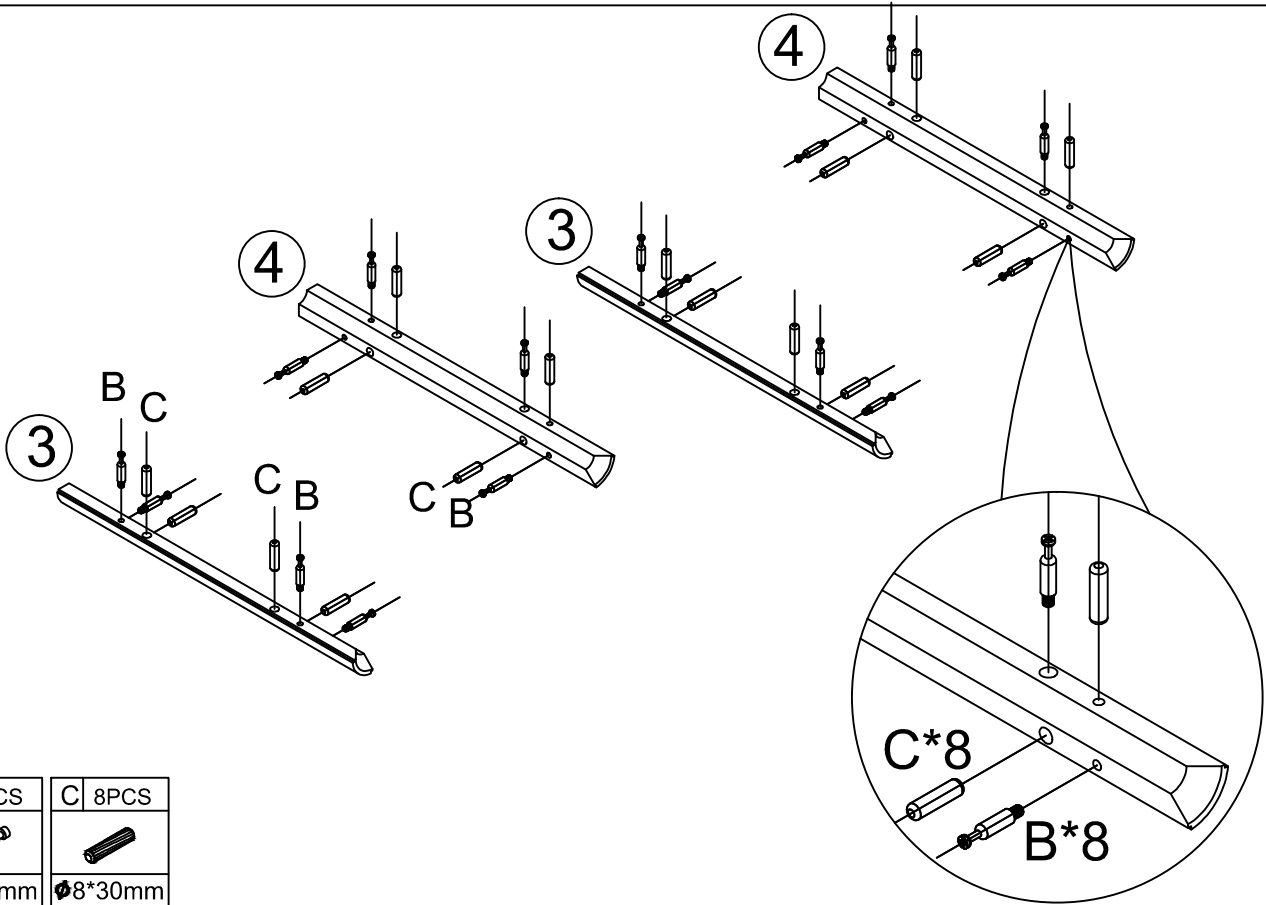
N	8PCS
	
M4.5x50	

Accessories D, L, M are not in the accessory bag but in the package due to their size



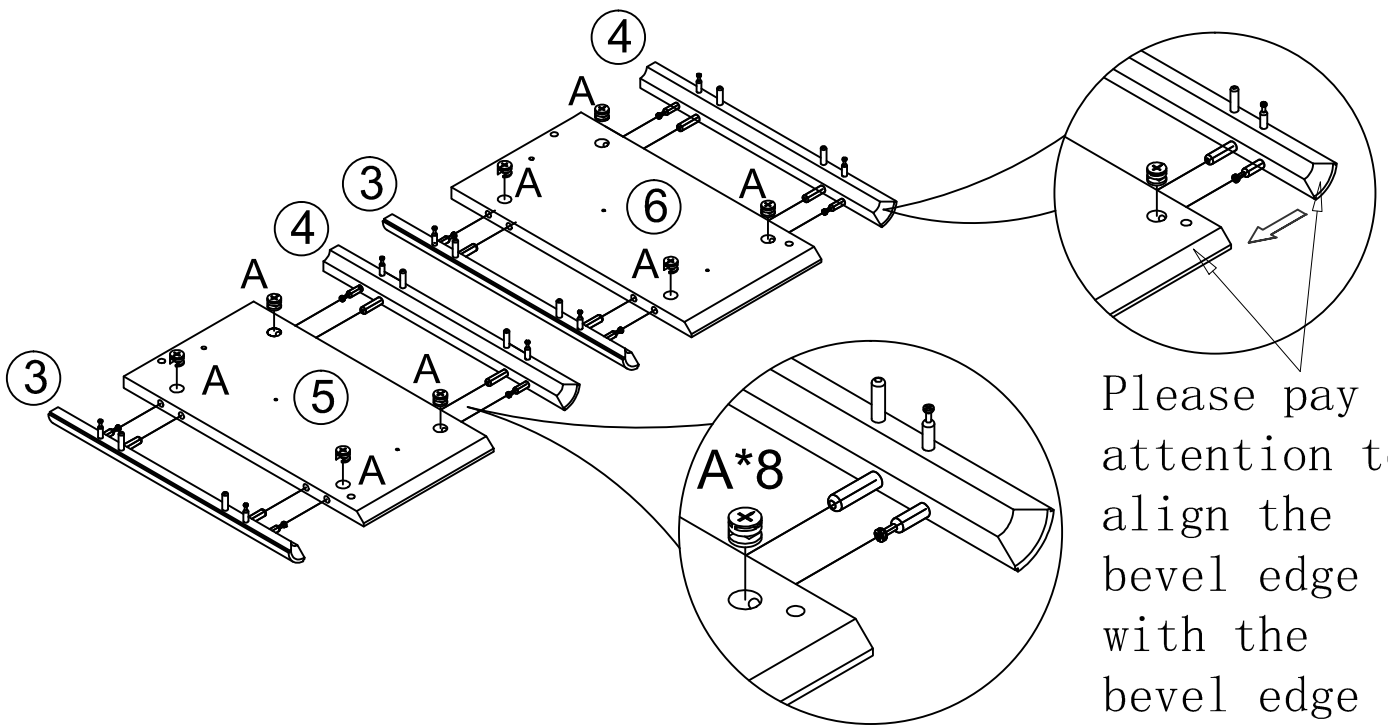
1  1PC	2  1PC	3  2PC	4  2PC	5  1PC
6  1PC	7  2PC	8  1PC	9  1PC	10  1PC
11  1PC	12  3PC	13  3PC	14  3PC	15  3PC
16  3PC	17  3PC	18  1PC	19  1PC	20  1PC

STEP 1 Install accessories B and C on boards 3 and 4



B 8PCS	C 8PCS
∅6*25mm	∅8*30mm

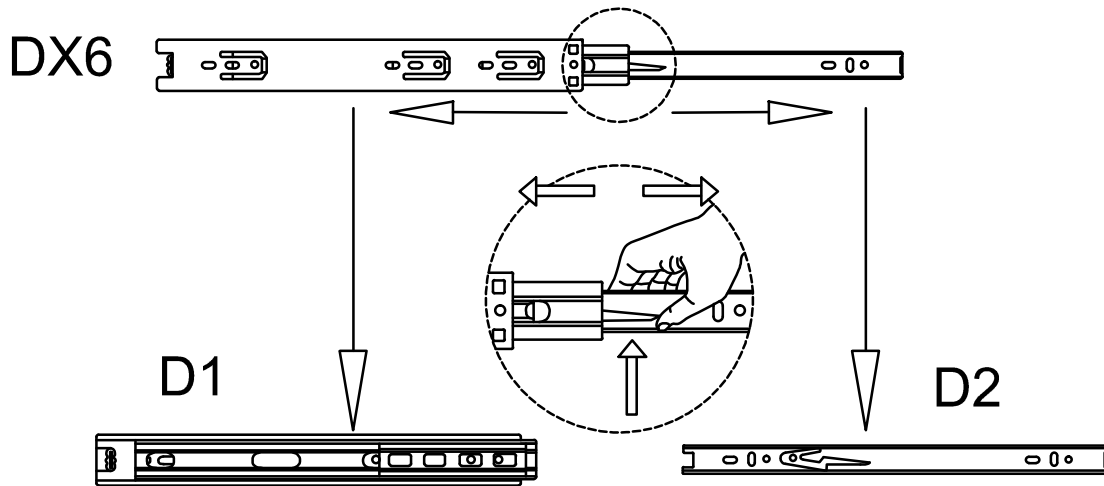
STEP 2 Install boards 3 and 4 on boards 5 and 6 and fix them with accessory A



Please pay attention to align the bevel edge with the bevel edge

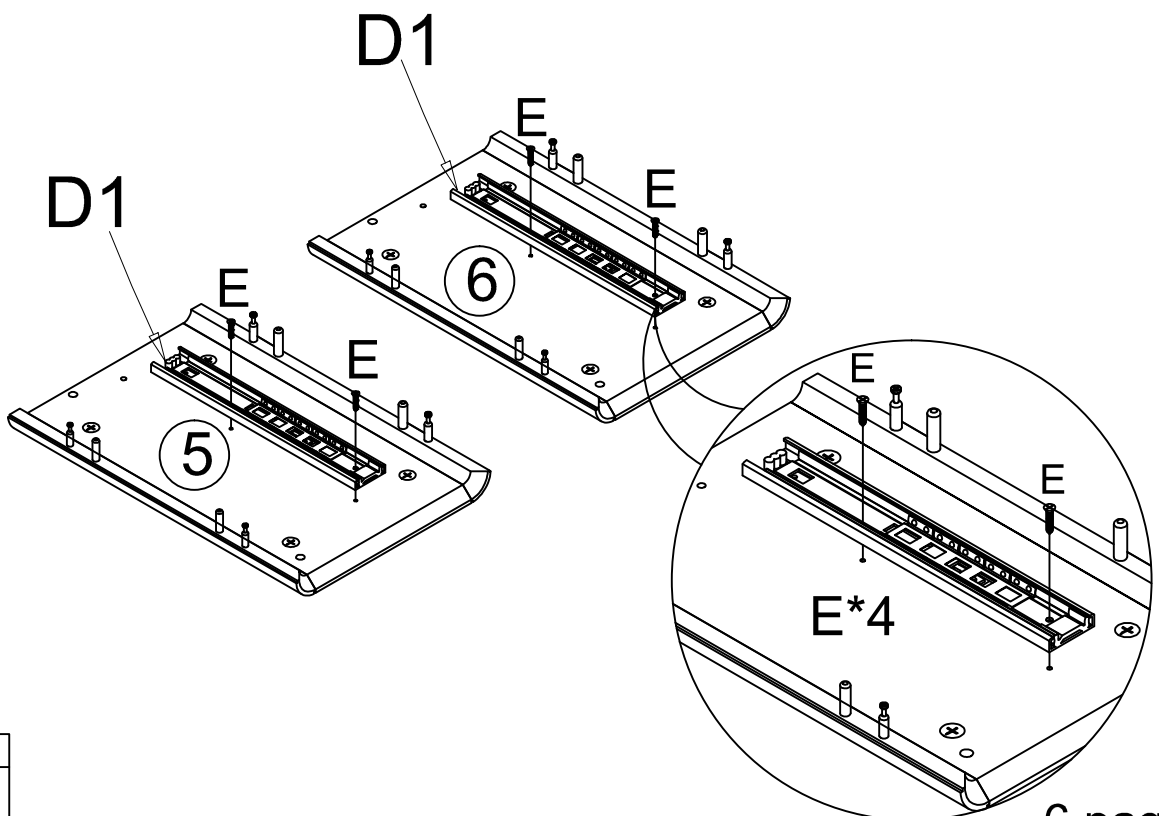
A 8PCS	Disassembly and installation of accessories		
	I	II	III Rotate 180 degrees
∅12*10mm			
			OK

STEP 3 Split all 6 pieces of D into D1 and D2 according to the steps, which need to be installed separately later



D	6PCS
10"	

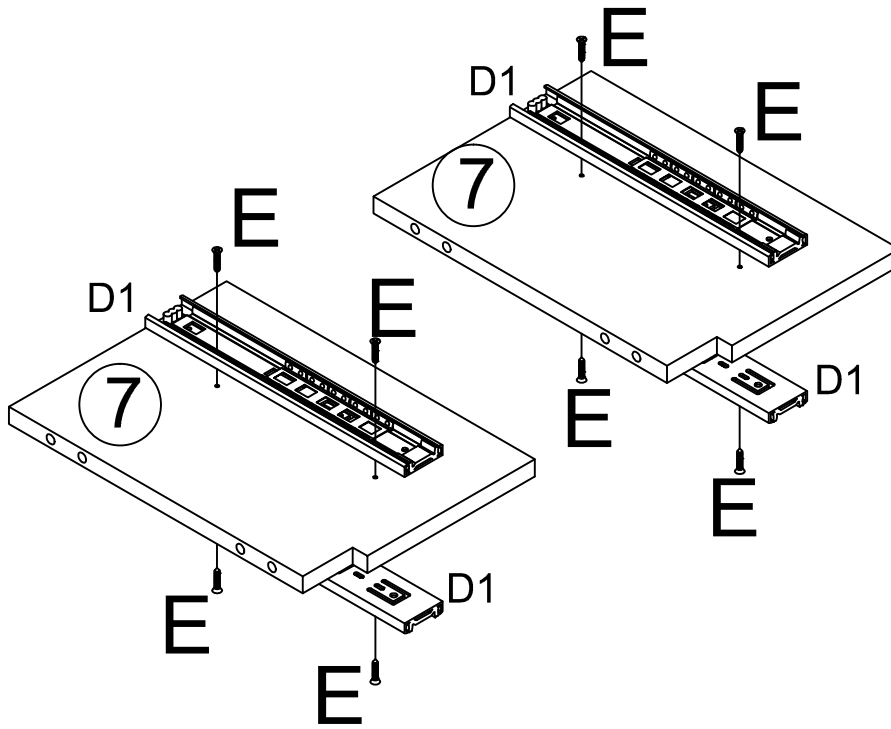
STEP 4 Install accessory D1 on boards 5 and 6





D1	2PCS	E	4PCS
10"		M3.5x12	

STEP 5

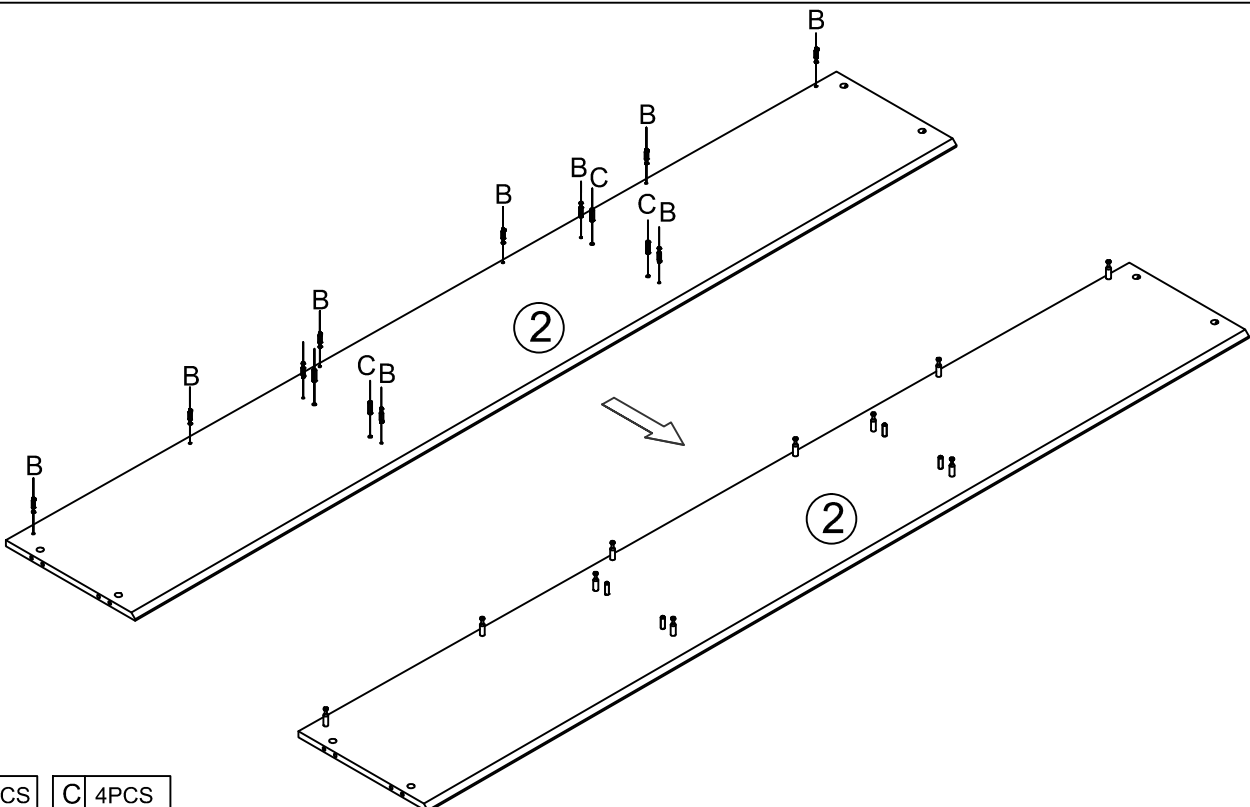
Install accessory D1 on board 7





D1 4PCS	E 8PCS
	
10"	M3.5x12

STEP 6

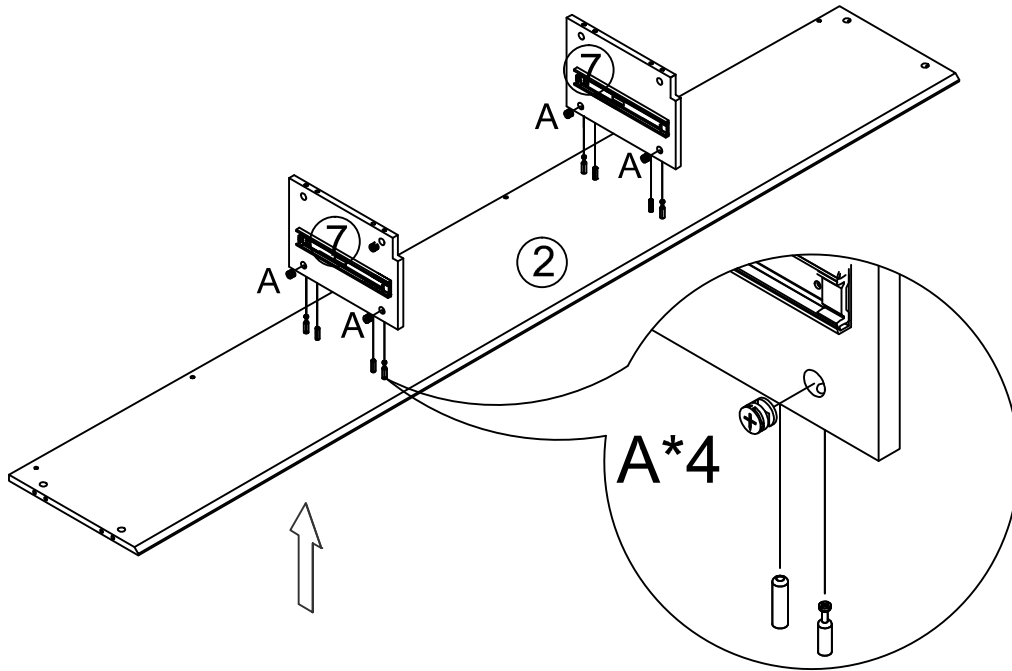
Install accessories B and C on board 2



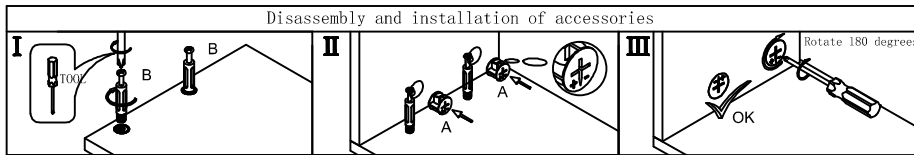
B 10PCS	C 4PCS
	
Φ6*25mm	Φ8*30mm

STEP 7

Install board 7 on board 2 and fix it with accessory A

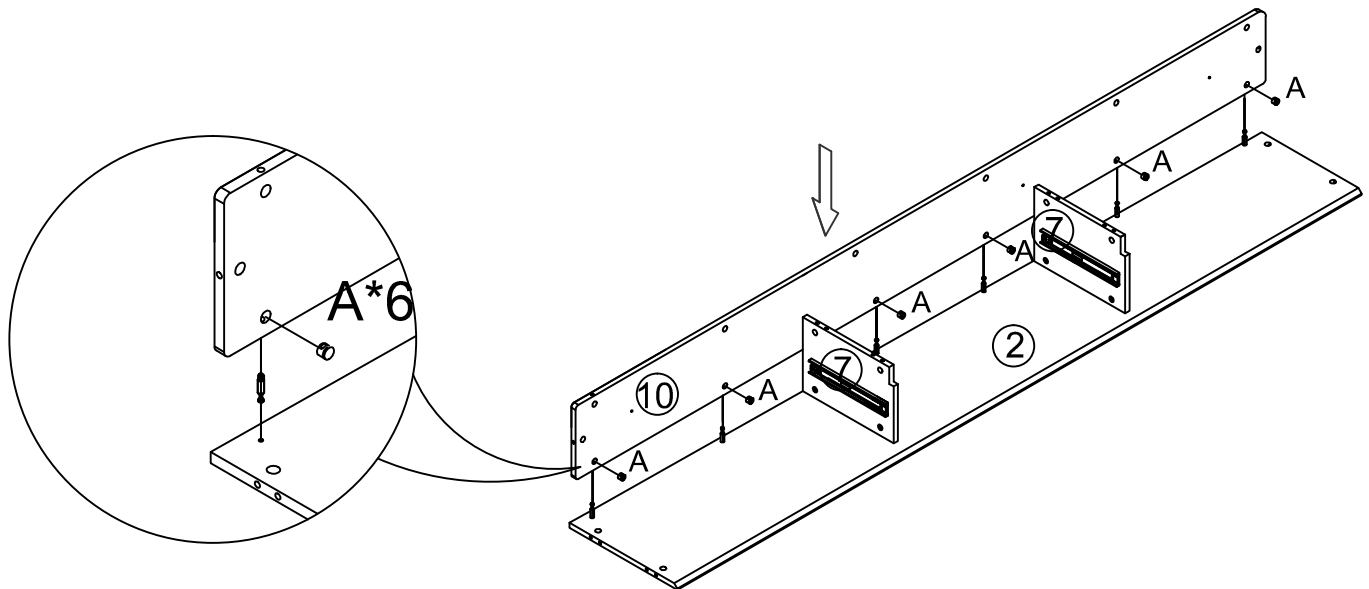


A	4PCS
Ø12*10mm	

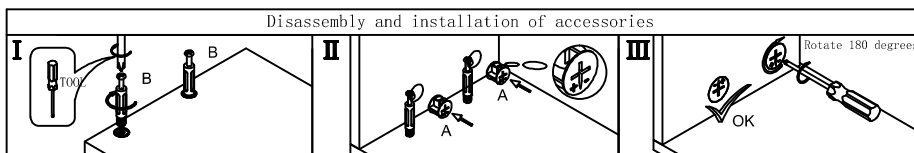


STEP 8

Install board 10 on board 2 and fix it with accessory A

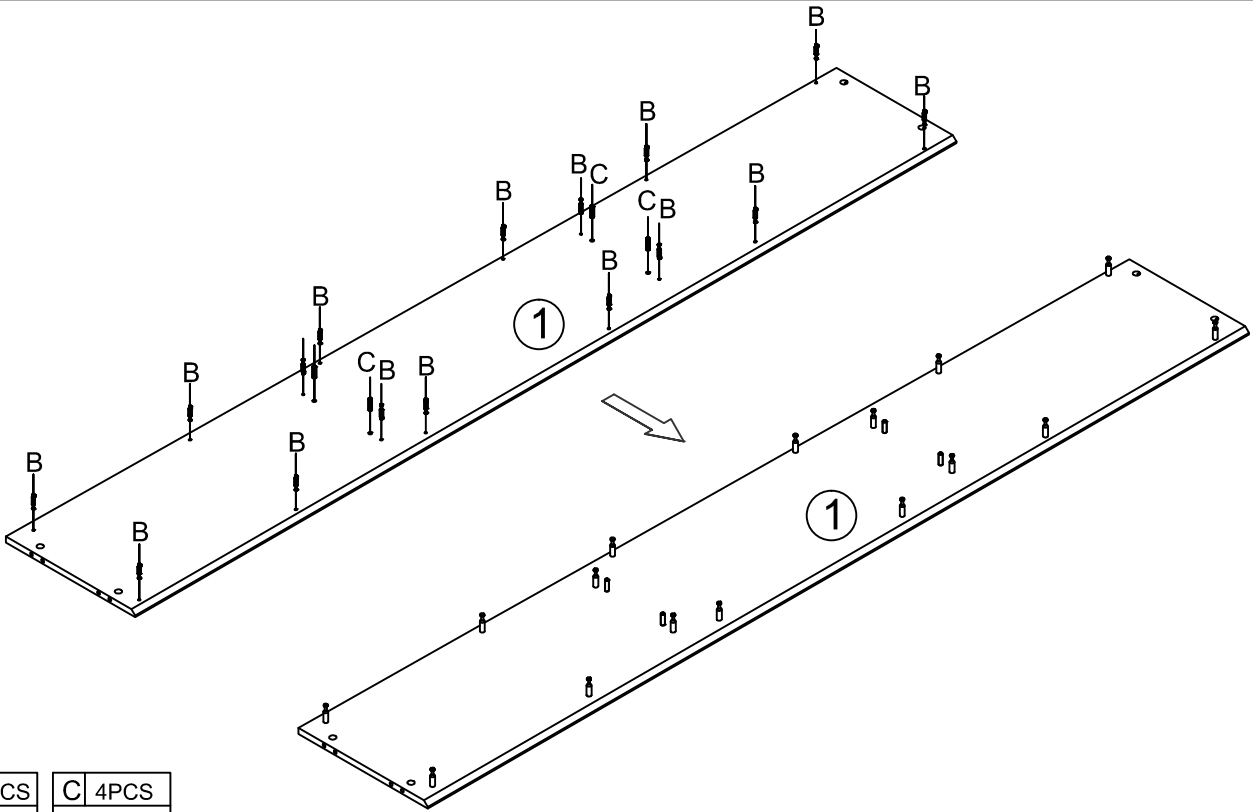


A	6PCS
Ø12*10mm	



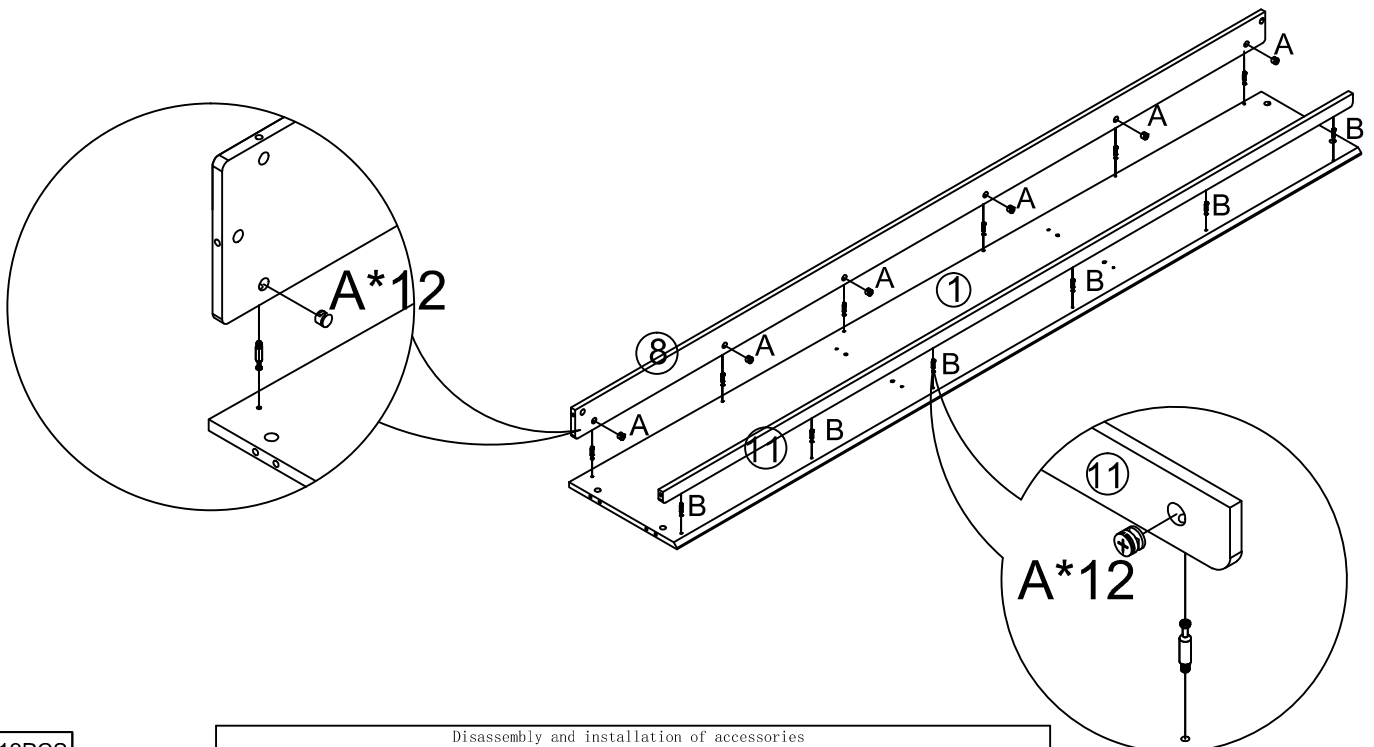
STEP 9

Install accessories B and C on board 1

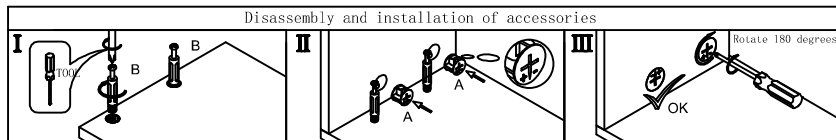


B 16PCS	C 4PCS
Φ6*25mm	Φ8*30mm

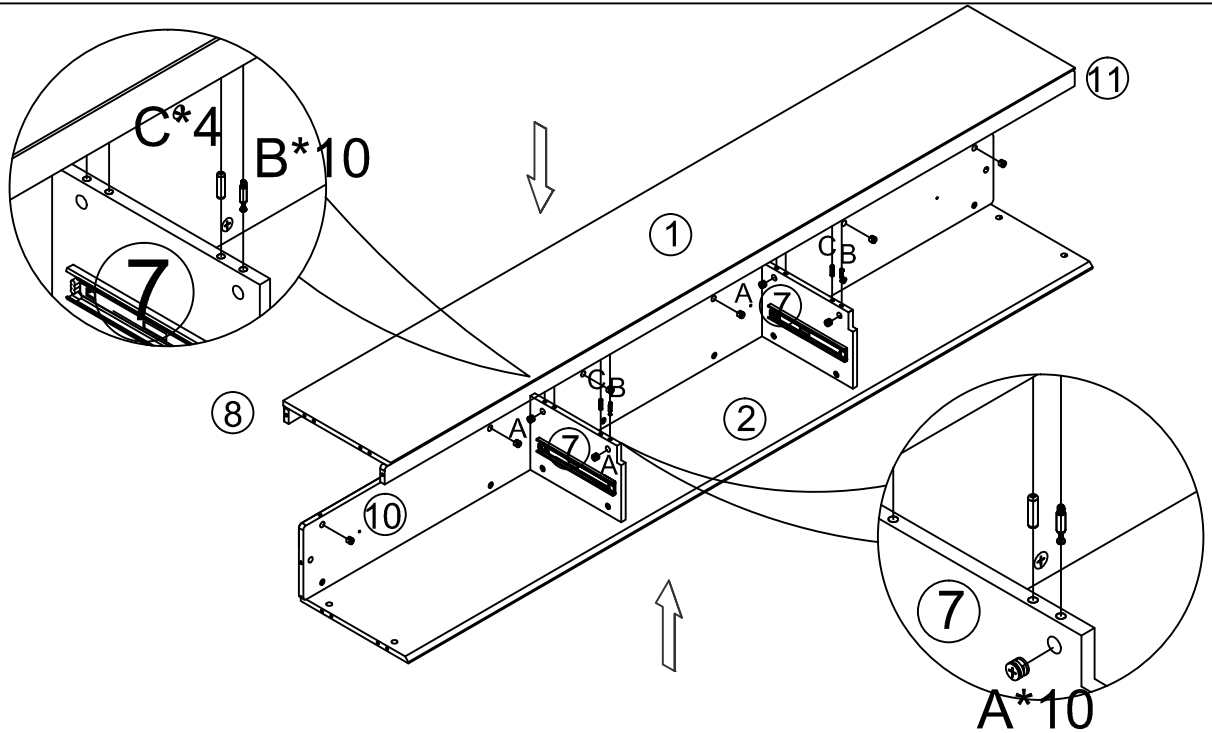
STEP 10 Install boards 8 and 11 on board 1 and fix them with accessories A and B



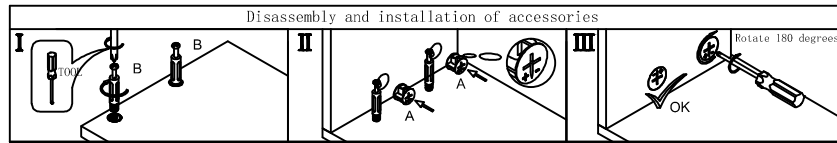
A 12PCS
Φ12*10mm



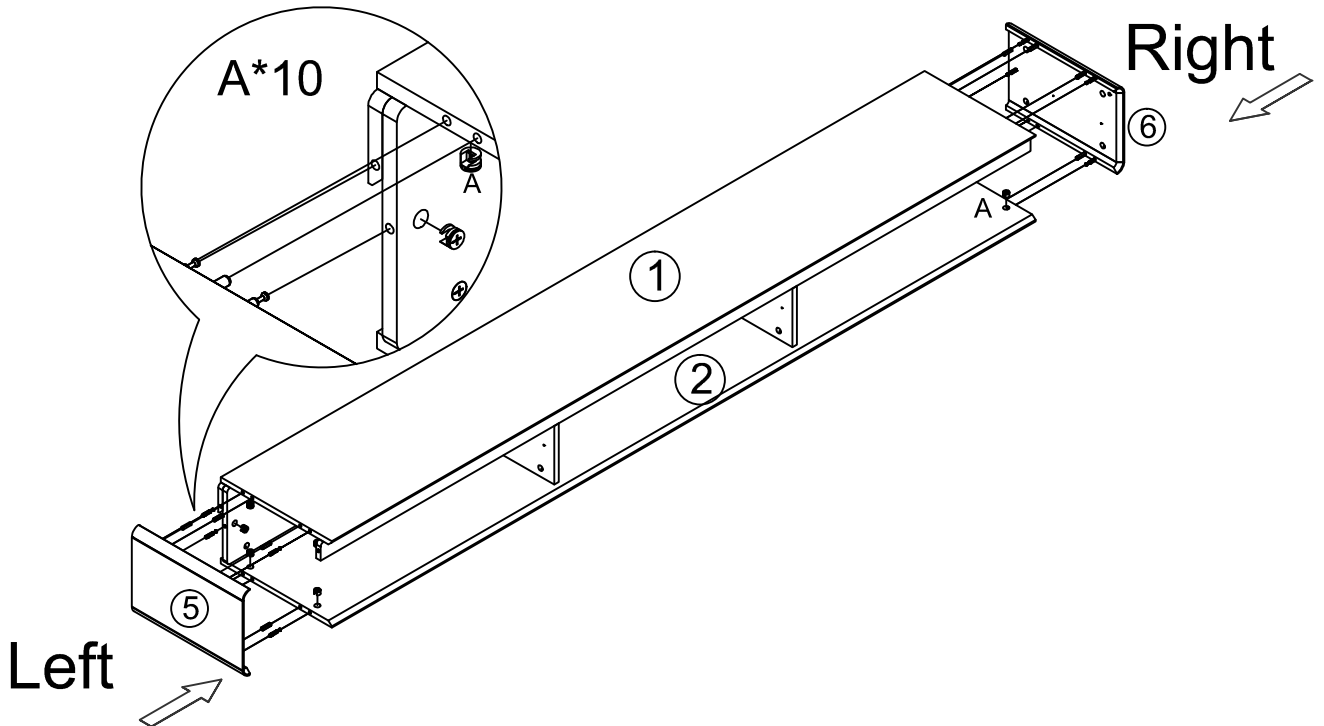
STEP 11 Install boards 1, 8, and 11 on boards 7 and 10 and fix them with accessories A



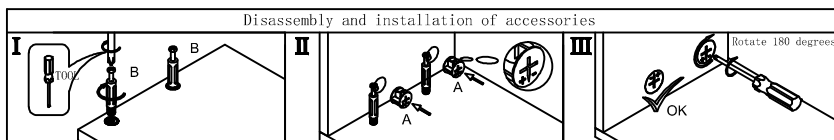
A	10PCS
$\varnothing 12 \times 10 \text{mm}$	



STEP 12 Install boards 5 and 6 on boards 1 and 2 and fix them with accessory A

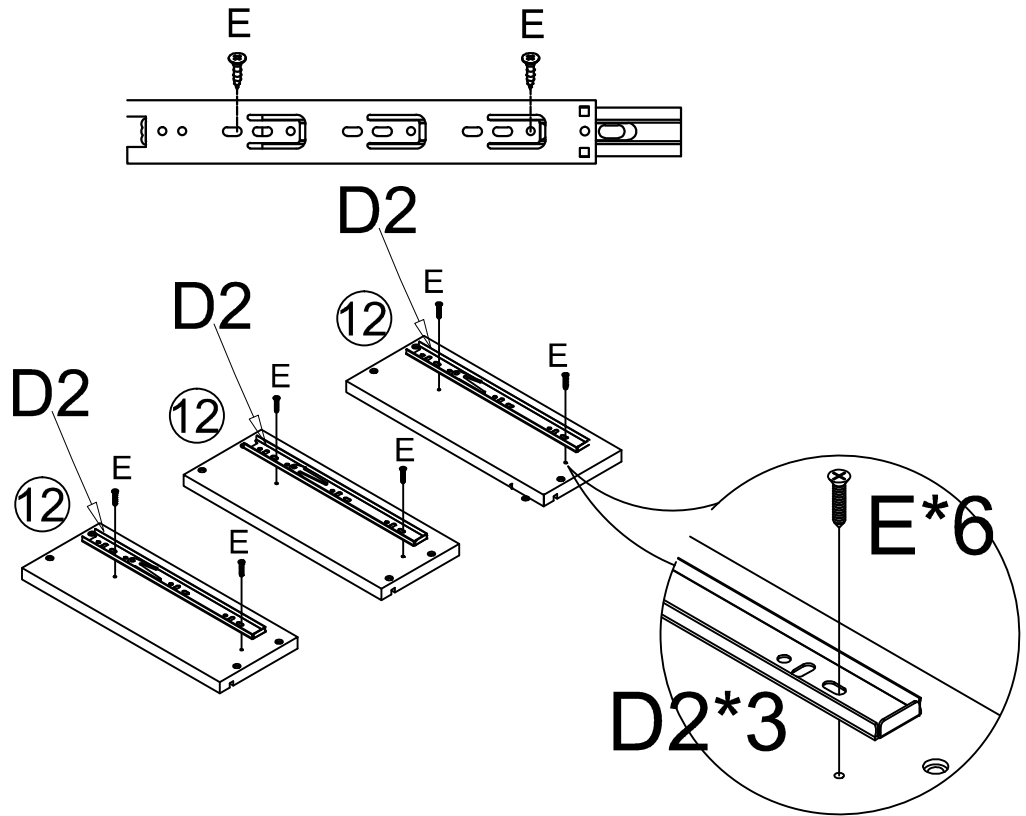




A	10PCS
$\varnothing 12 \times 10 \text{mm}$	



STEP 13

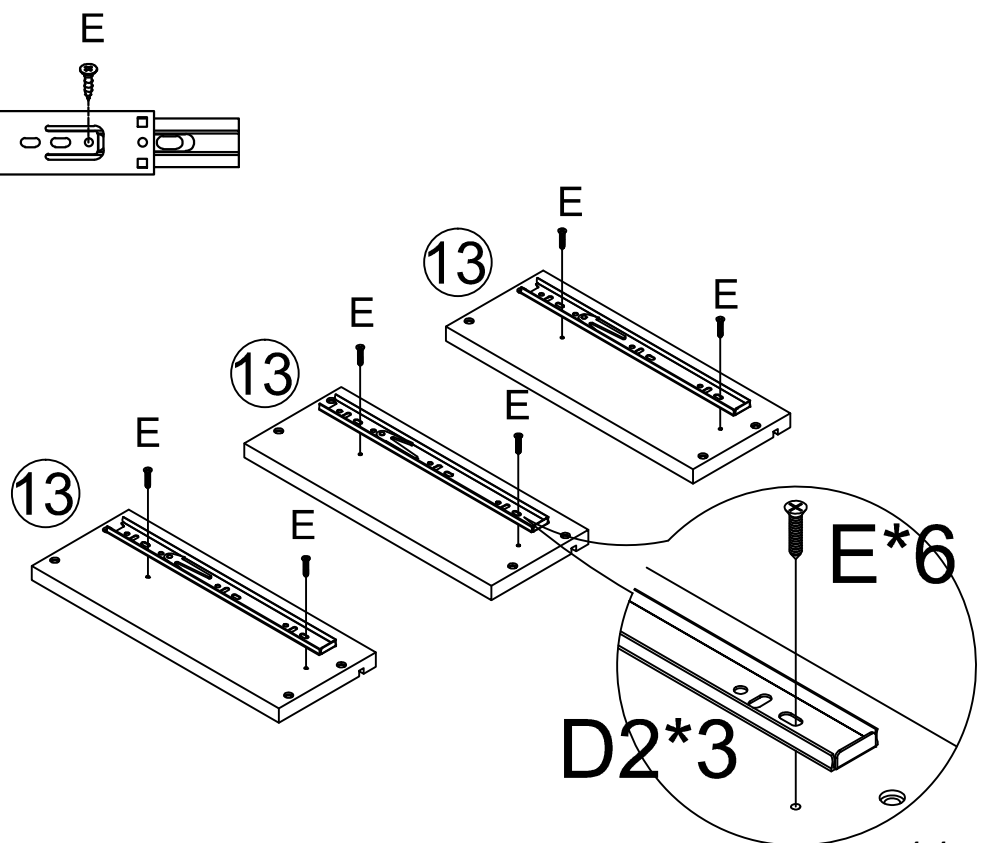
Install accessories D2 on board 12





E 6PCS	D2 3PCS
	
M3.5x12	10"

STEP 14

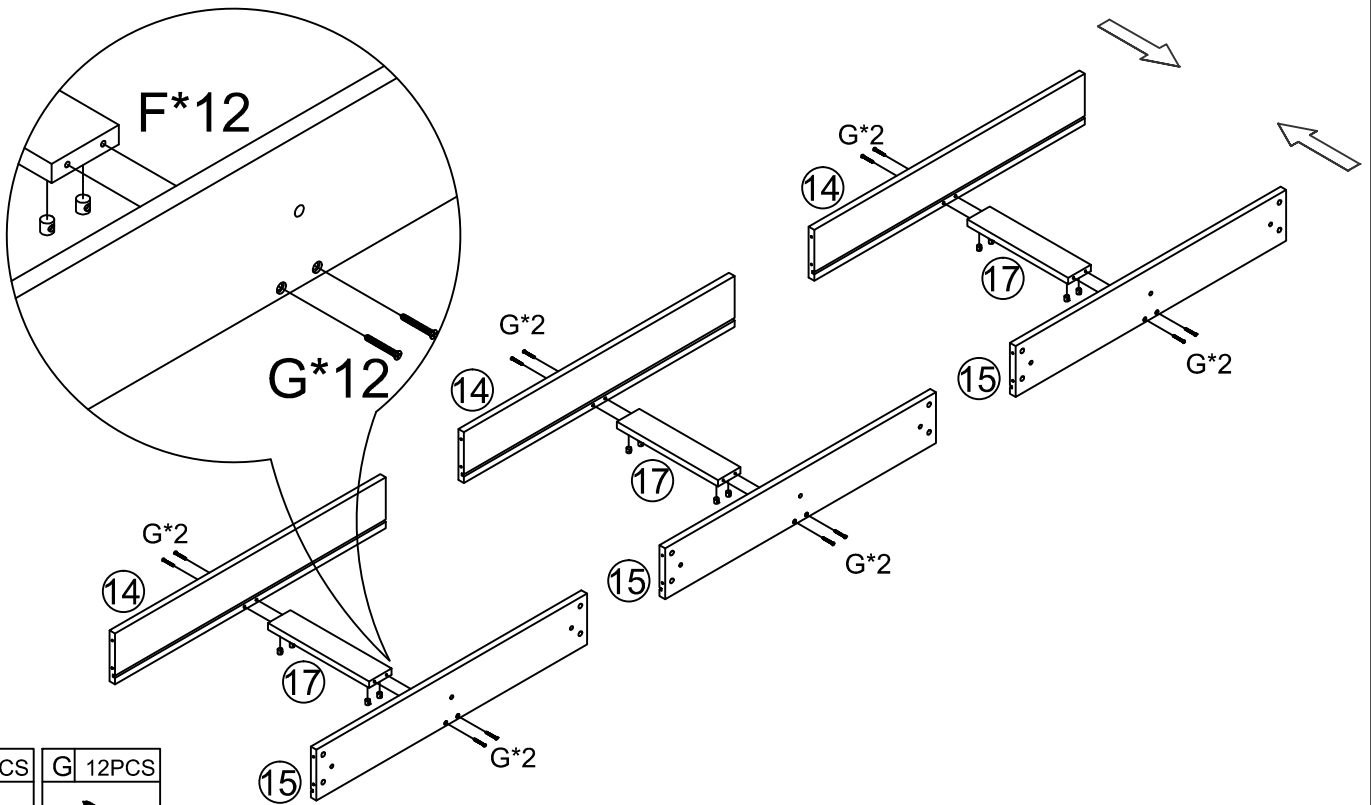
Install accessory D2 on board 13





E 6PCS	D2 3PCS
	
M3.5x12	10"

STEP 15

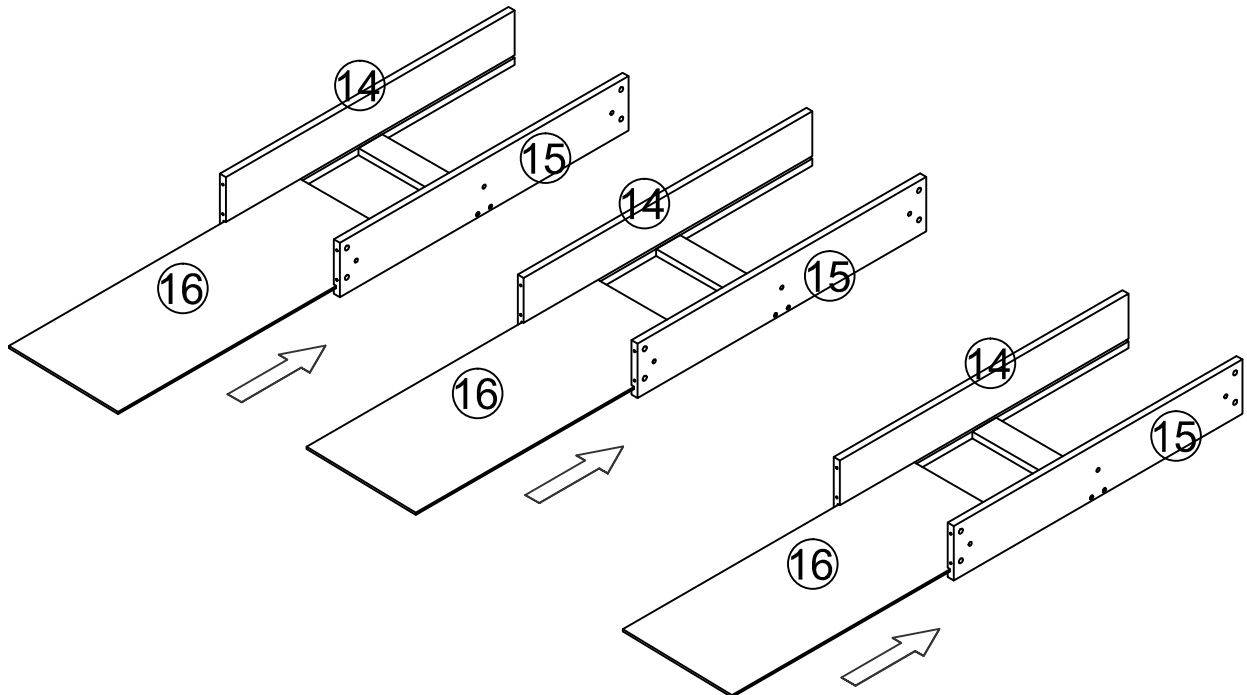
Install boards 15 and 14 on board 17



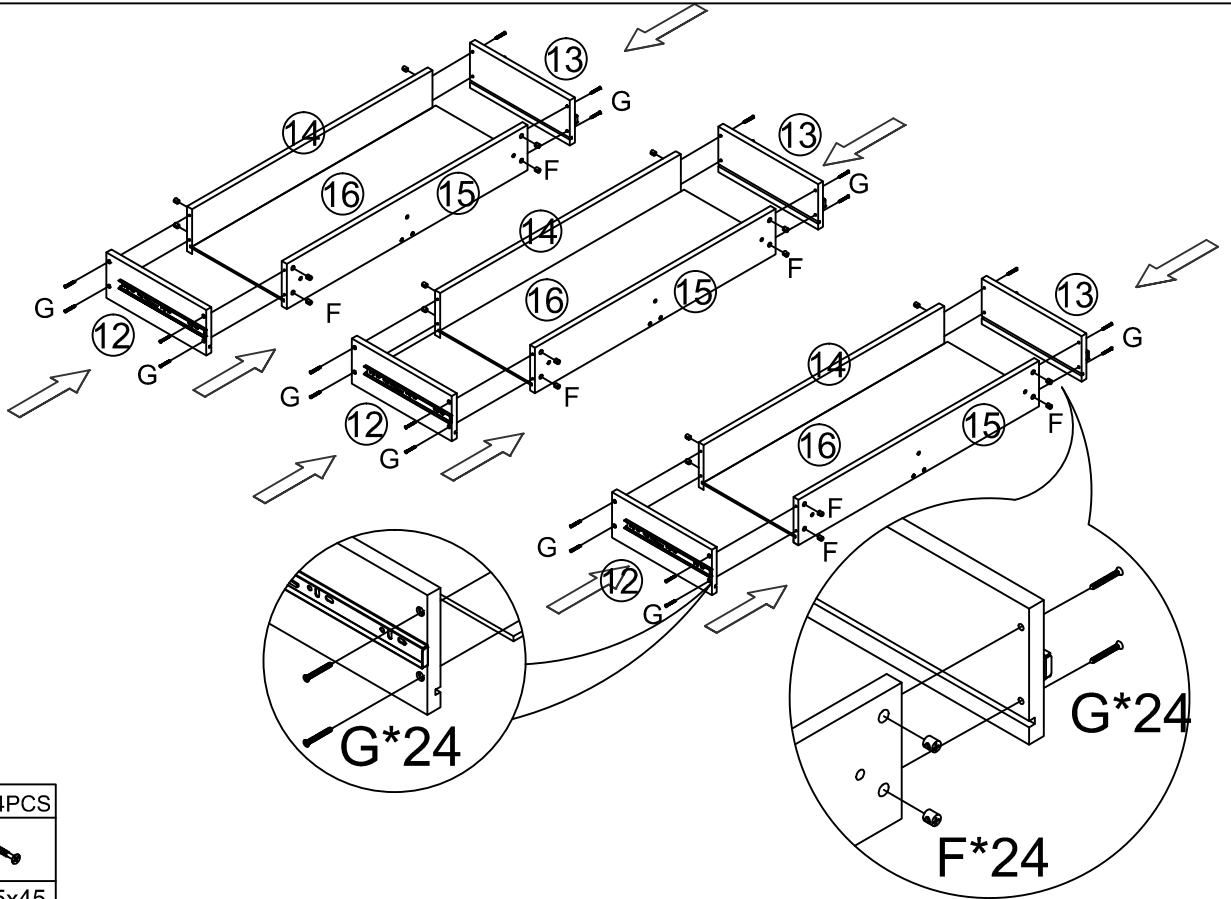
F 12PCS	G 12PCS
	
9*9mm	M3.5x45



STEP 16

Install board 16 on boards 14 and 15

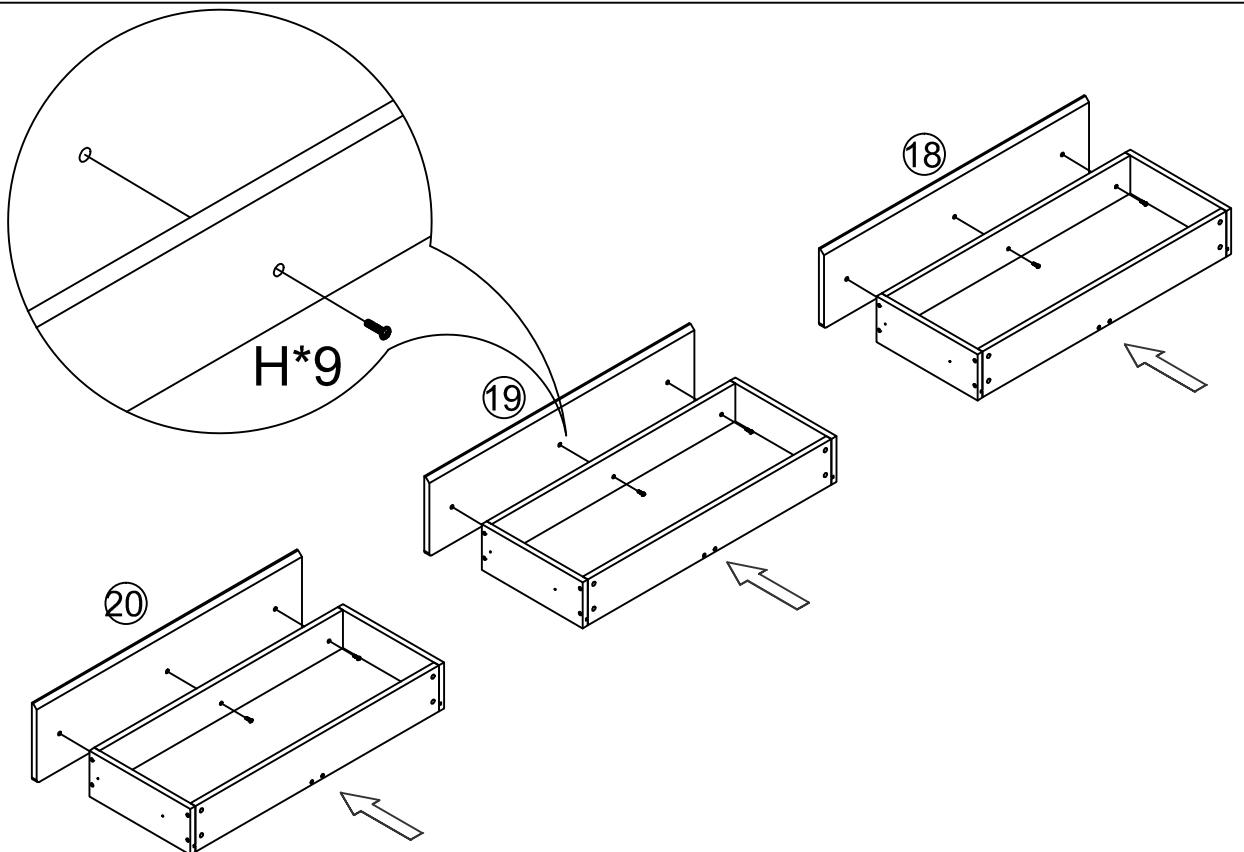



STEP 17 Install boards 12 and 13 on boards 14 and 15 and fix them with accessories F and G



F 24PCS	G 24PCS
	
9*9mm	M3.5x45

STEP 18 Install boards 18, 19, and 20 (notched upward) on the drawers and fix them with H



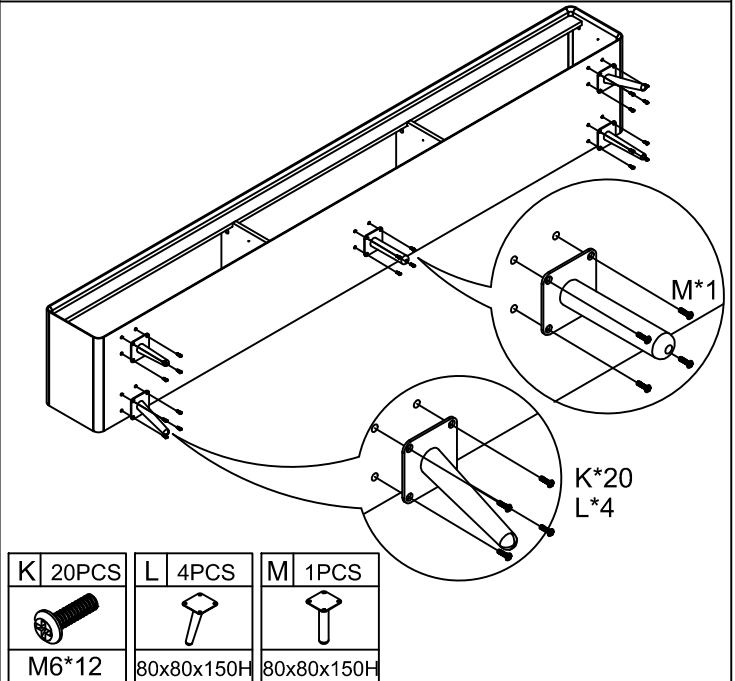
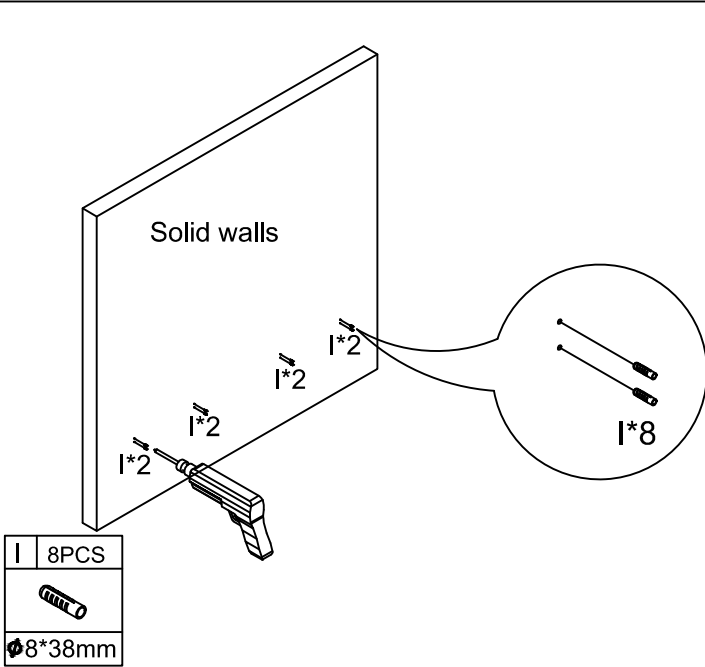
H 9PCS

M6x25

Installation Plan 1: Install the TV stand on the wall (the wall must be solid wall, not hollow wall)

Installation Plan 2: Install the bracket on the TV stand and place it on the ground for use

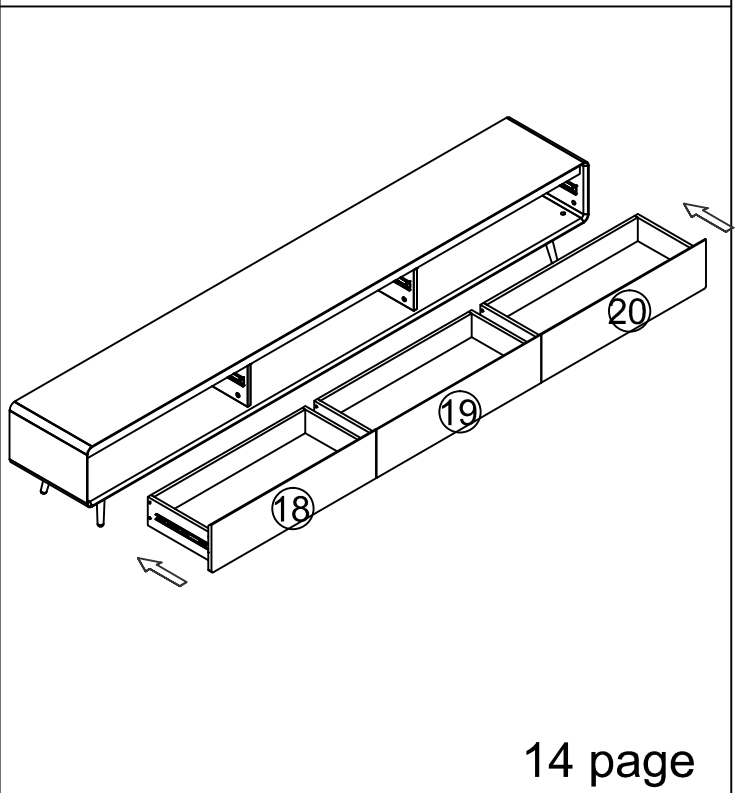
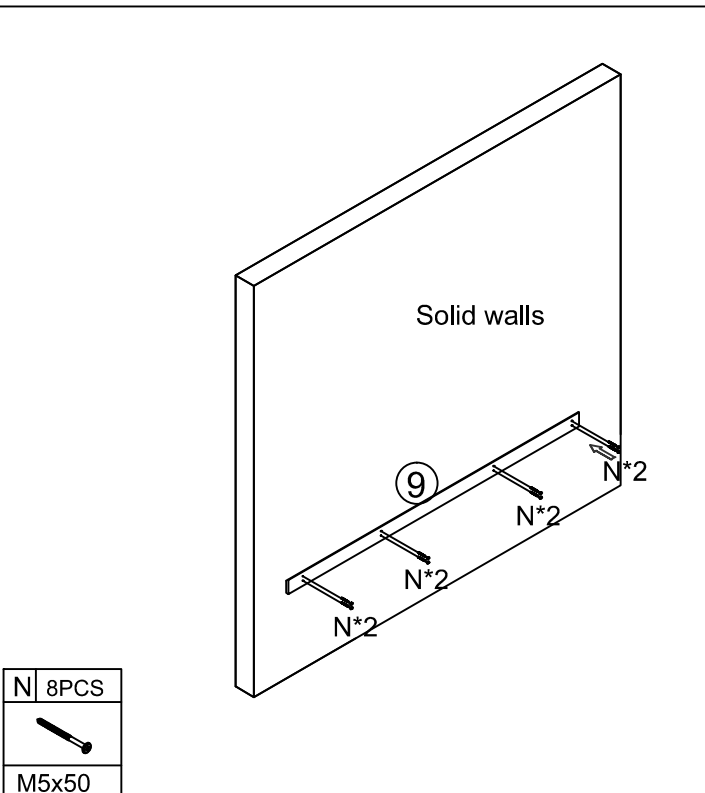
STEP 19 Drill holes in the wall according to the holes on board 9 and install accessories I

STEP 19 Install accessories L and M on the bottom of board 2



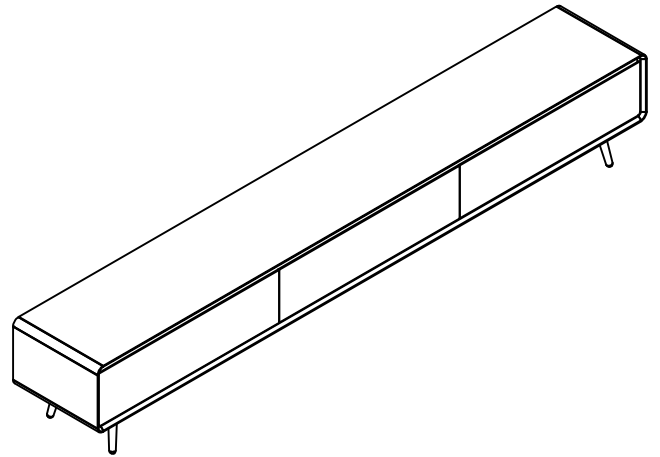
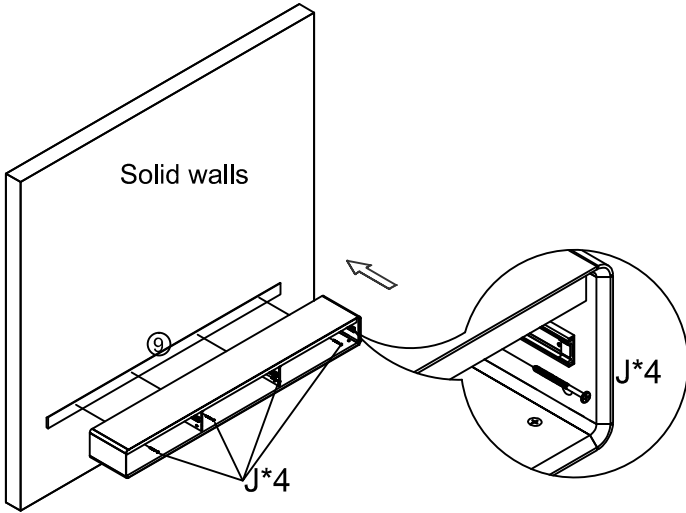
STEP 20 Install board 9 on the wall and fix it with accessory N (the wall must be solid wall, not hollow wall)


STEP 20
Fit the drawers into the TV cabinet



STEP 21 Hang the TV cabinet on board 9 and fix it with accessory J

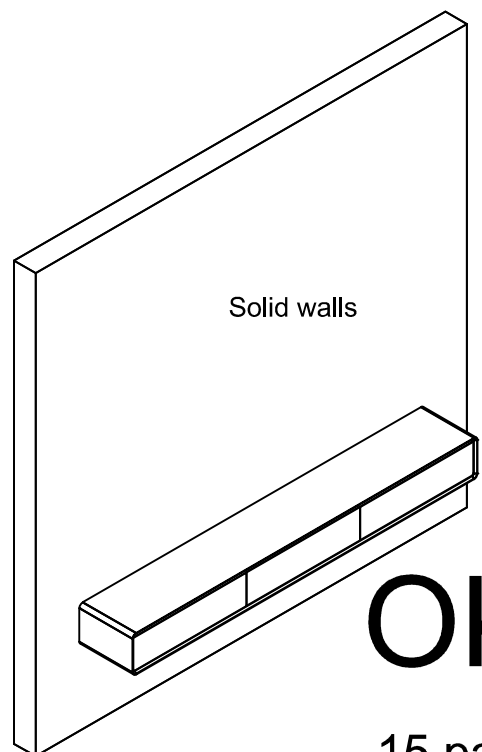
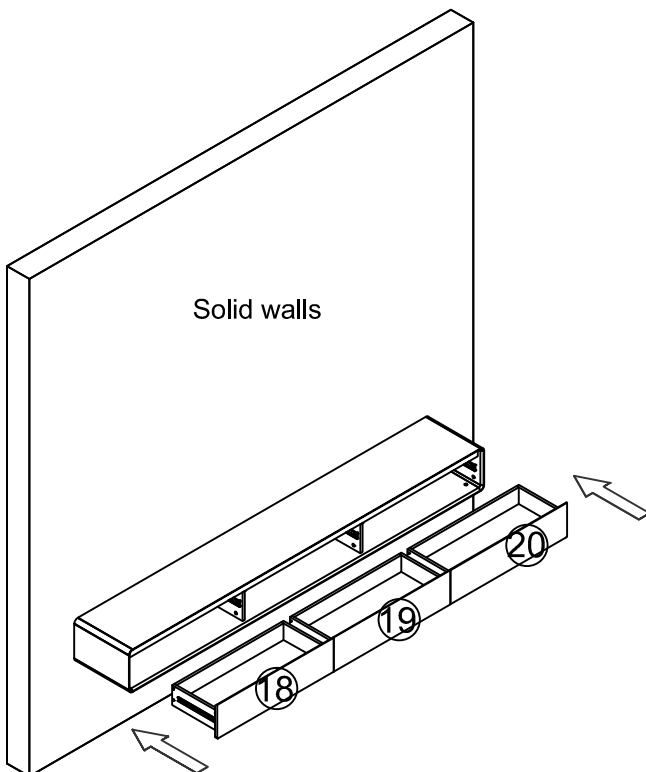
STEP 21 Congratulations! the installation is complete. You are great. Thank you for your hard work



J	4PCS
	
M4x30	

STEP 22 Fit the drawers into the TV cabinet

STEP 23 Congratulations! the installation is complete. You are great. Thank you for your hard work



OK

15 page