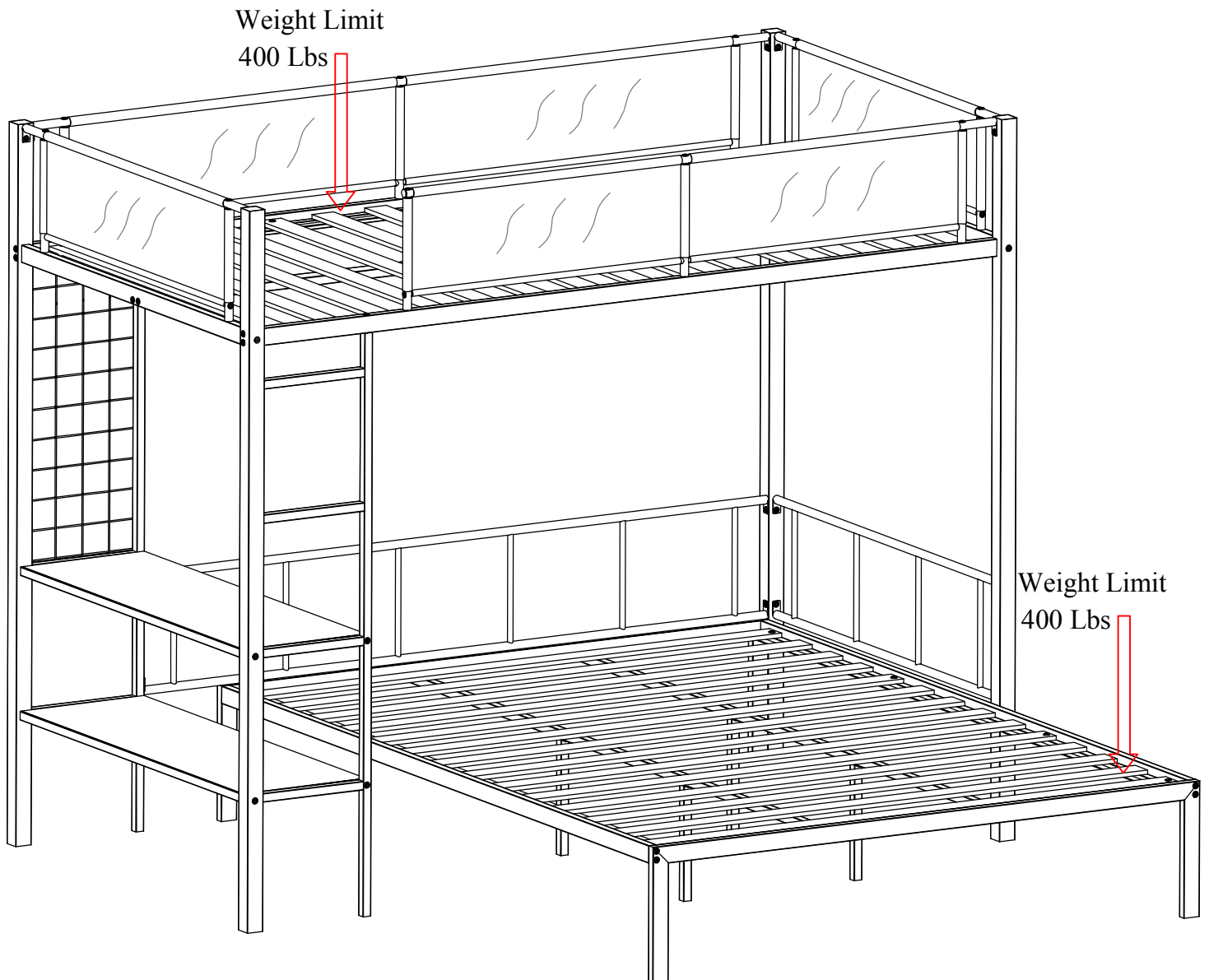


# TWIN OVER FULL L-SHAPED BUNK BEDS WITH BUILT IN SHELF

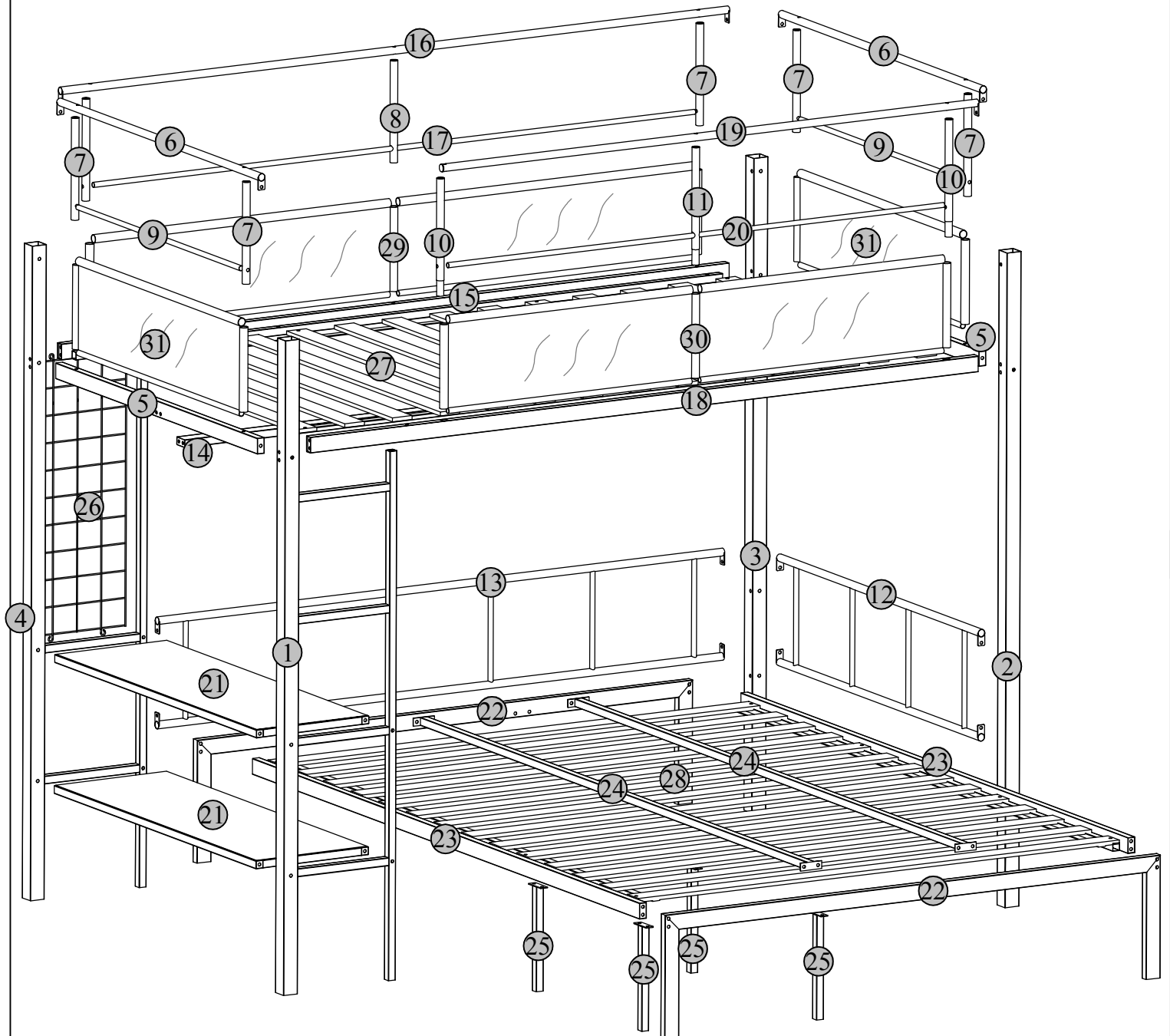
## ASSEMBLY INSTRUCTIONS



# TWIN OVER FULL L-SHAPED BUNK BEDS WITH BUILT IN SHELF

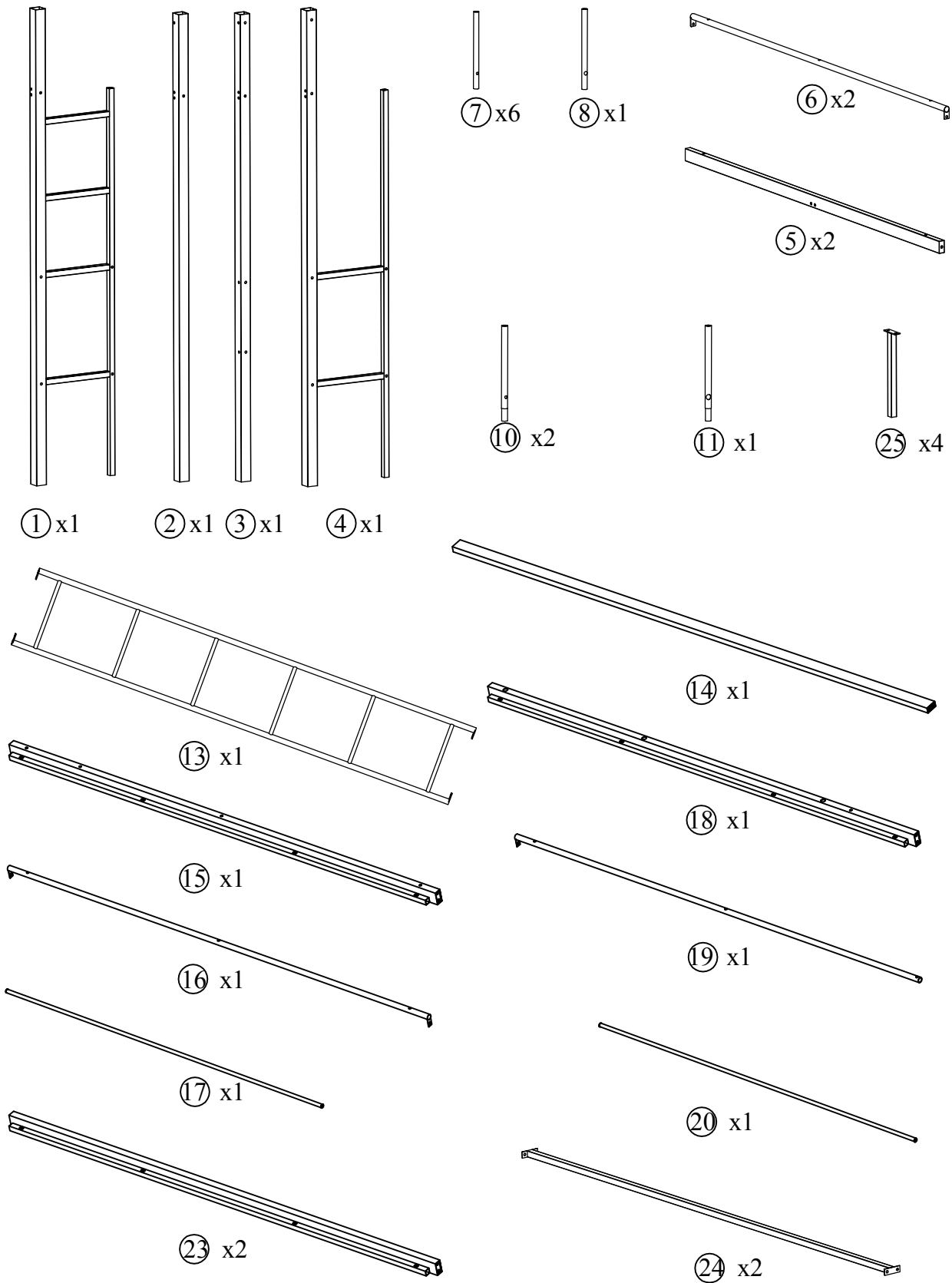
## ASSEMBLY INSTRUCTIONS

### DETAIL VIEW



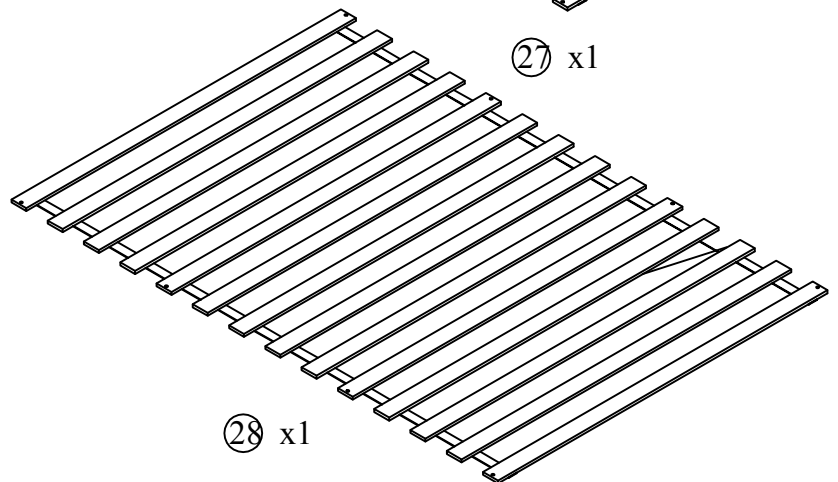
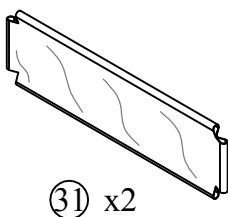
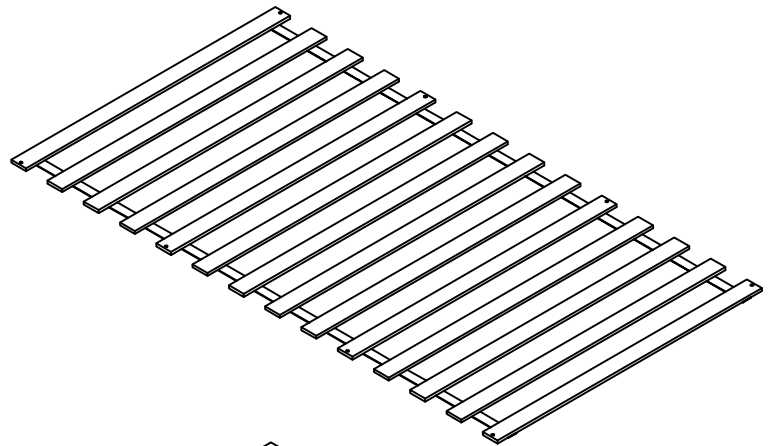
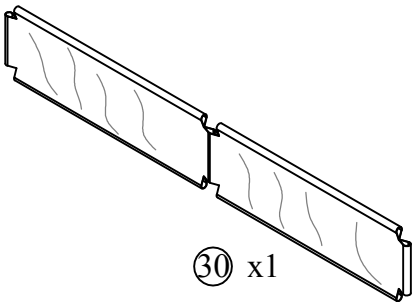
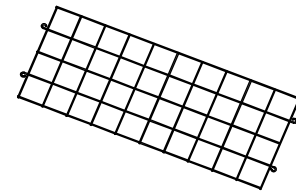
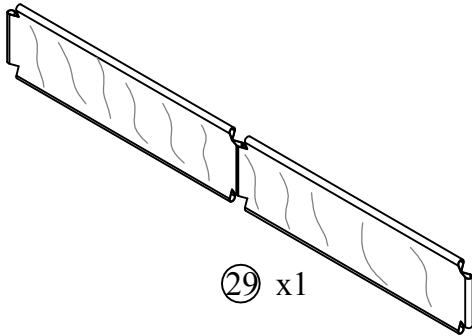
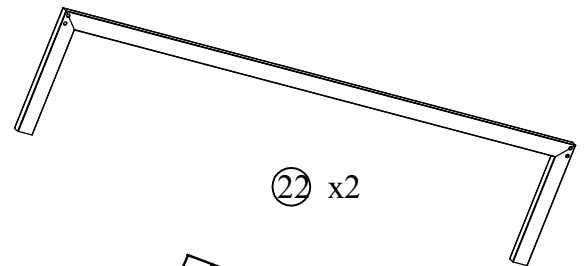
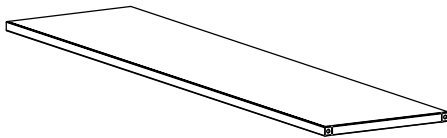
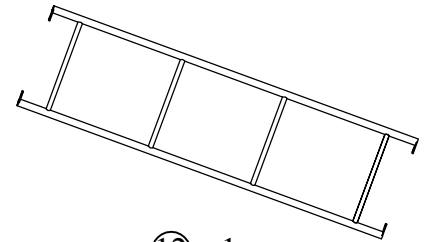
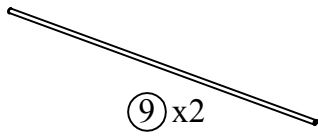
ASSEMBLY INSTRUCTIONS

PART LIST



ASSEMBLY INSTRUCTIONS

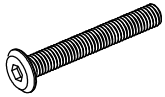
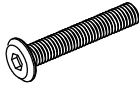
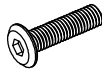
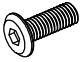
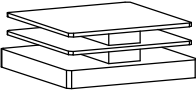
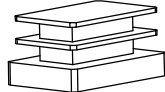

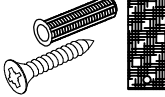
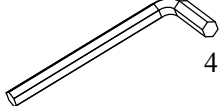
PART LIST



# TWIN OVER FULL L-SHAPED BUNK BEDS WITH BUILT IN SHELF

## ASSEMBLY INSTRUCTIONS

### HARDWARE LIST

<b>Ⓐ Bolts</b>  1/4"*55 25PCS	<b>Ⓑ Bolts</b>  1/4"*35 34PCS	<b>Ⓒ Bolts</b>  1/4"*25 16PCS
<b>Ⓓ Bolts</b>  1/4"*15 38PCS	<b>Ⓔ End cap</b>  40*40 8PCS	<b>Ⓕ End cap</b>  20*40 4PCS
<b>Ⓖ End cap</b>  20*20 6PCS	<b>Ⓖ Connect wall</b>  1/4*40 2 SET	<b>Ⓖ Allen key</b>  4*59 1PC

### SAFETY WARNINGS AND GENERAL NOTE

- Follow the information on the warnings on the bunk bed end structure and on the carton. Do not remove the warning label from the bed.
- Always use the recommended size mattress on mattress support, or both, to help prevent the likelihood of entrapment or falls.
- Do not allow children under 6 years of age to use the upper bunk.
- Periodically check and ensure the guardrail, ladder and other components are in their proper position, free from damage, and all connectors are tight.
- Do not allow horseplay on or under beds.
- Always prohibit jumping on the bed.
- Prohibit more than one person on upper bunk.
- Always use the ladder for entering and leaving the upper bunk.
- Do not use substitute parts. Contact the manufacturer or dealer for replacement parts.
- Use of a night-light may provide added safety precaution for a child using the upper bunk.
- Always use guardrails on both long sides of the upper bunk.
- If the bunk bed will be placed next to a wall, the guardrail that runs the full length of the bed should be placed against the wall to prevent entrapment between the bed and the wall.
- The use of water or sleep flotation mattresses is prohibited.
- STRANGULATION HAZARD**-Never attach or hang items to any part of the bunk bed that are not designed for use with the bed.
- Keep these instructions for future reference.
- We recommend assembling your bunk bed on the shipping carton to protect your floor or carpet.
- Be certain all staples are out of the box before beginning assembly on the shipping carton.
- USE ONLY MATTRESSES WHICH ARE AS THE TABLE BELOW ON UPPER AND ON LOWER BUNKS.**

#### Down bed

Bed type	Length	Width	Thickness
Full Standard	74" – 75"	53 ½"	8" max

#### Up bed (bunk bed and tribed included)

Bed type	Length	Width	Thickness
Twin Standard	74" – 75"	38 ½"	6" max

- SURFACE OF MATTRESS MUST BE AT LEAST 5" (127MM) BELOW THE UPPER EDGE OF GUARDRAILS.**

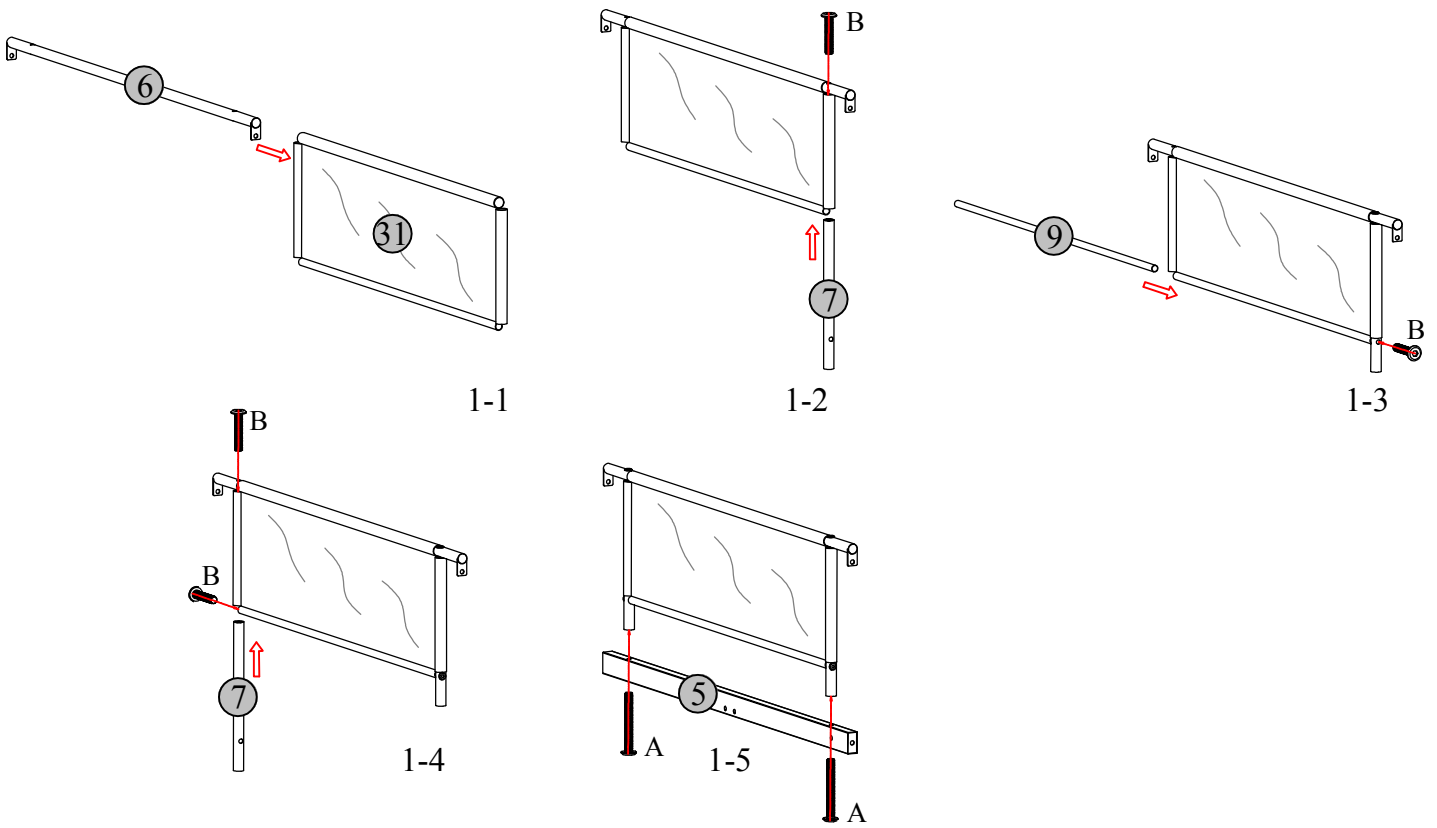
#### 19. Replacement Parts:

Replacement Parts, including additional guardrails, may be obtained from any of our dealers.

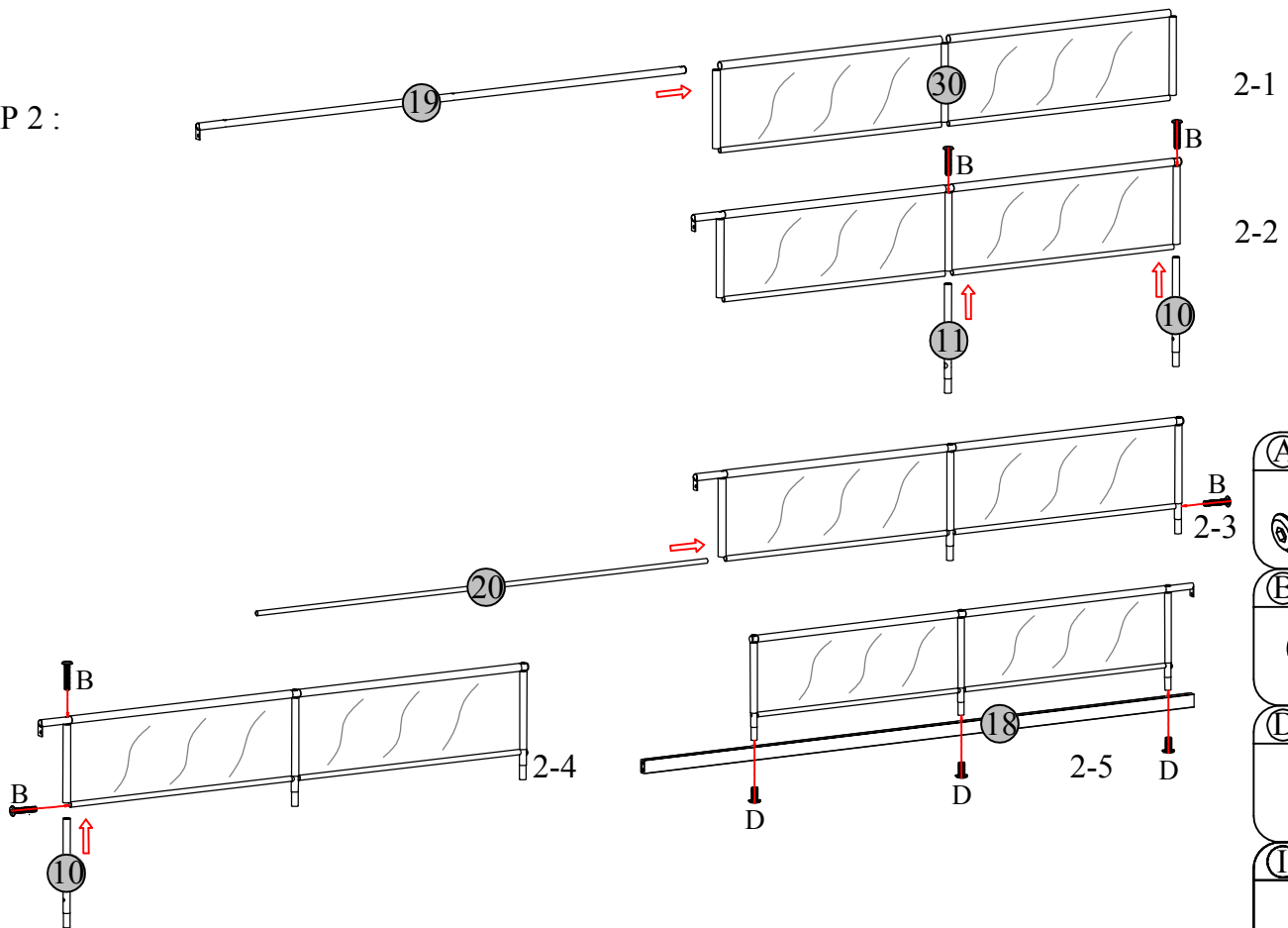
- Please, do not tighten any screw before each assembling unit is well placed AT appropriate position.

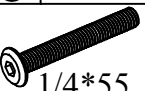



# TWIN OVER FULL L-SHAPED BUNK BEDS WITH BUILT IN SHELF ASSEMBLY INSTRUCTIONS

## STEP 1 : 2 SET



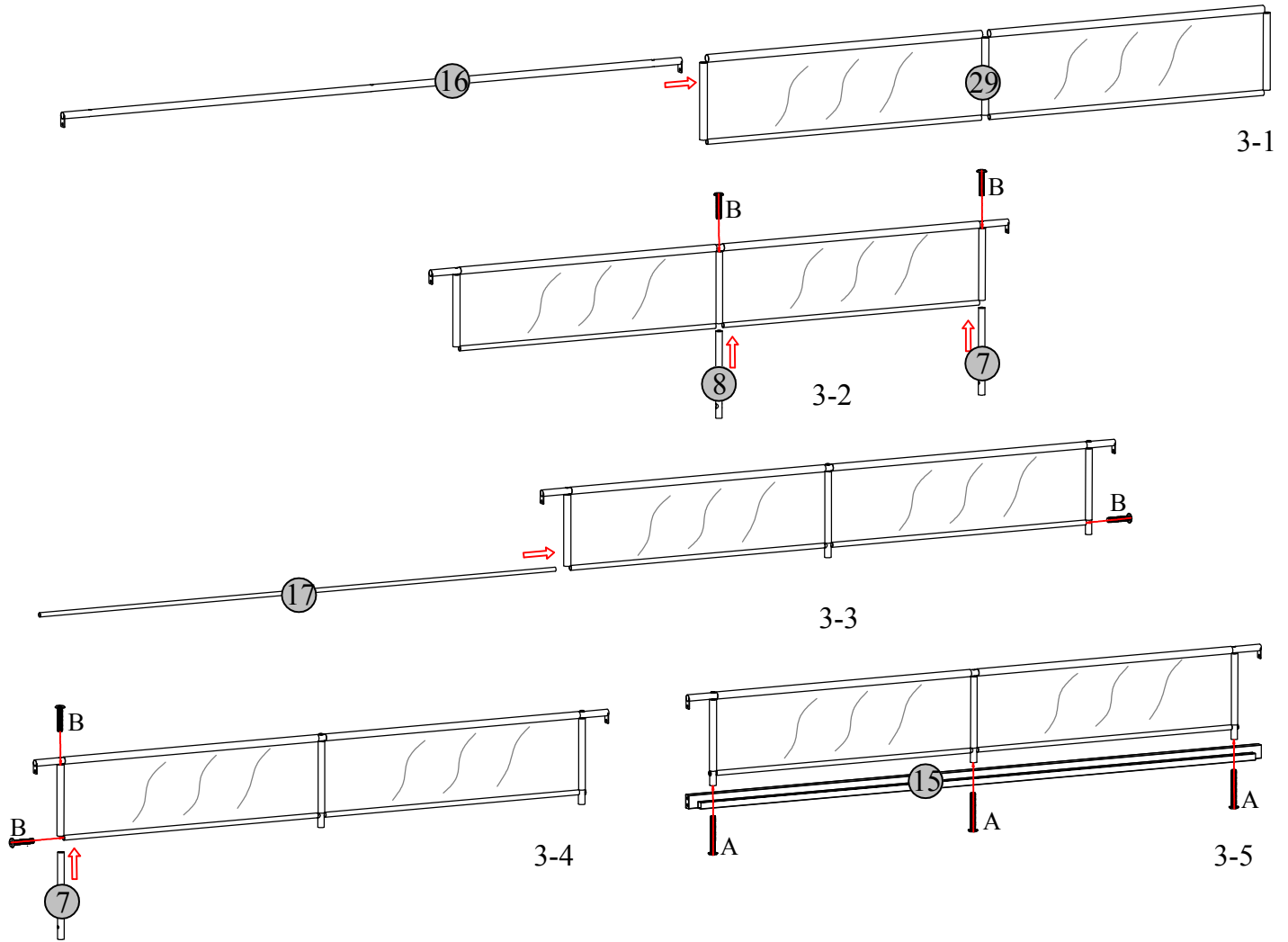
## STEP 2 :



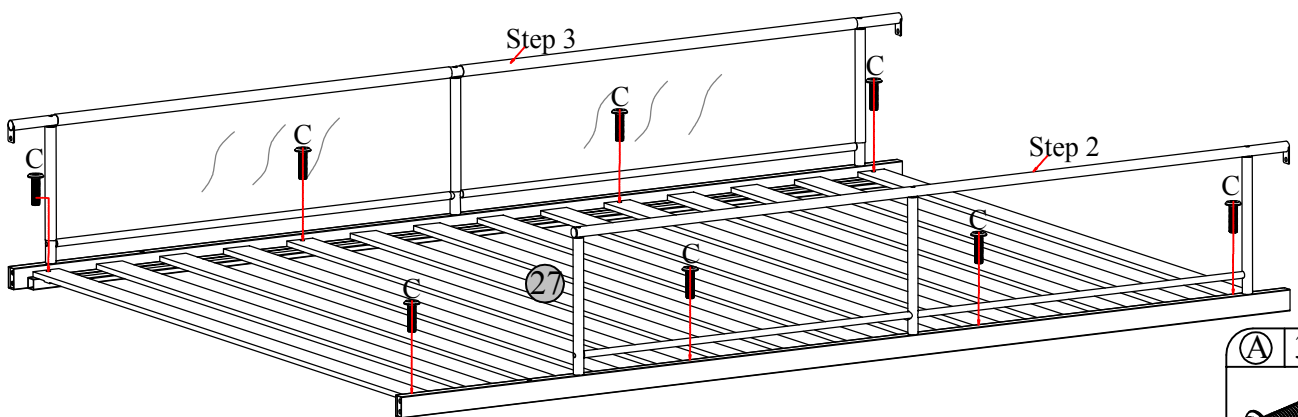
(A)	4PCS
	1/4*55
(B)	13PCS
	1/4*35
(D)	3PCS
	1/4*15
(I)	1PC
	4*59





# TWIN OVER FULL L-SHAPED BUNK BEDS WITH BUILT IN SHELF ASSEMBLY INSTRUCTIONS

STEP 3 :



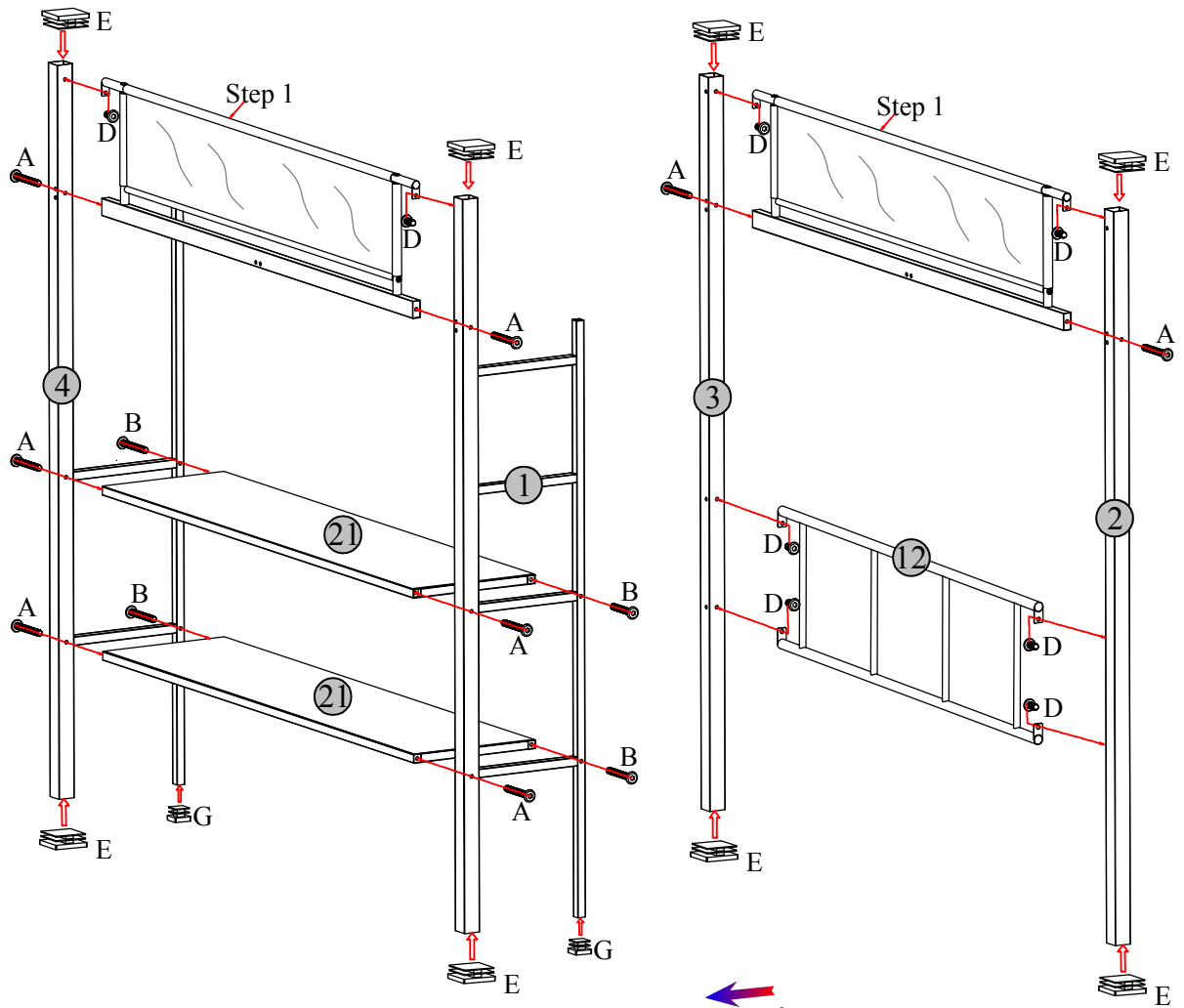
STEP 4 :



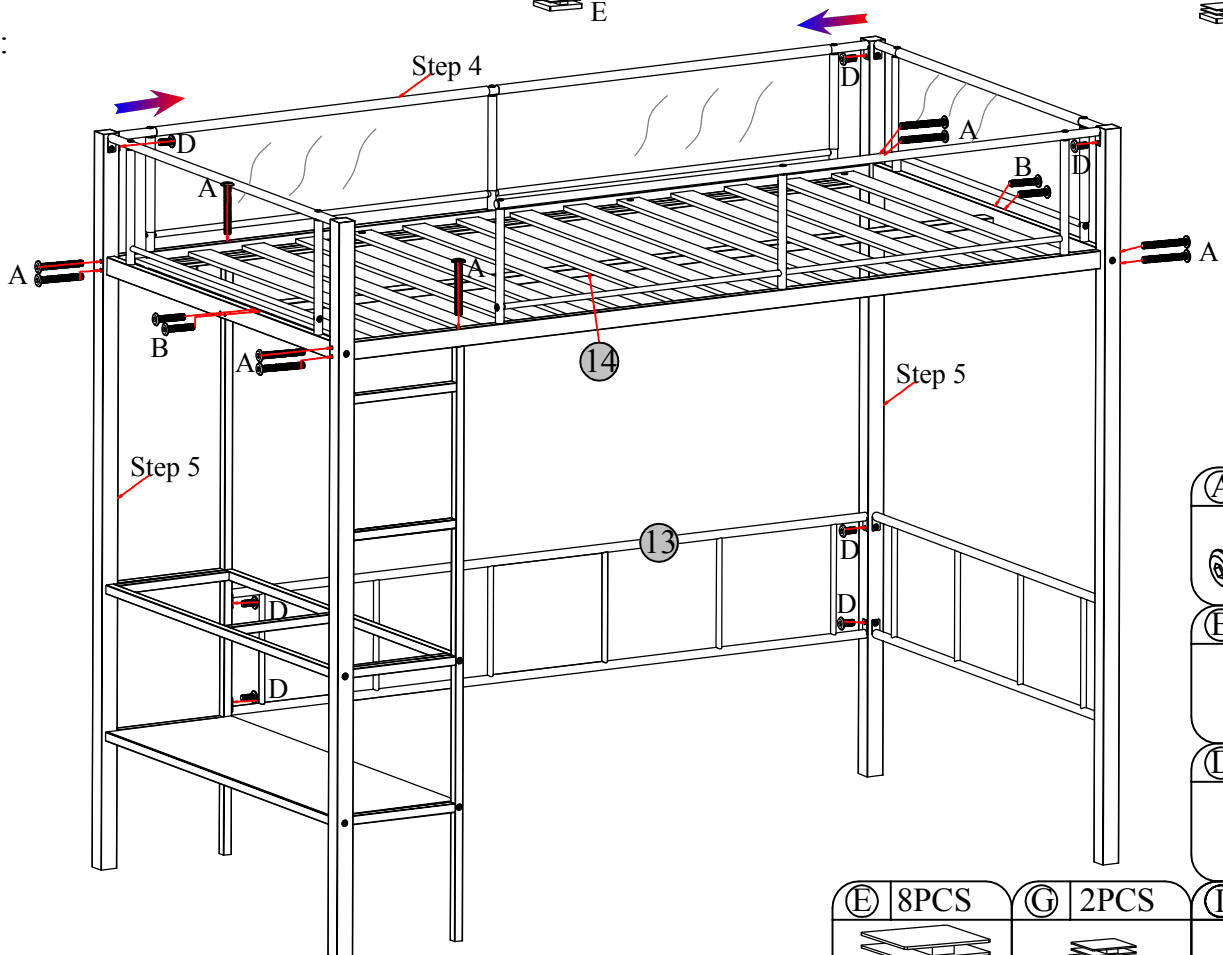
(A)	3PCS
	1/4*55
(B)	5PCS
	1/4*35
(C)	8PCS
	1/4*25
(D)	1PC
	4*59

# TWIN OVER FULL L-SHAPED BUNK BEDS WITH BUILT IN SHELF ASSEMBLY INSTRUCTIONS

STEP 5 :



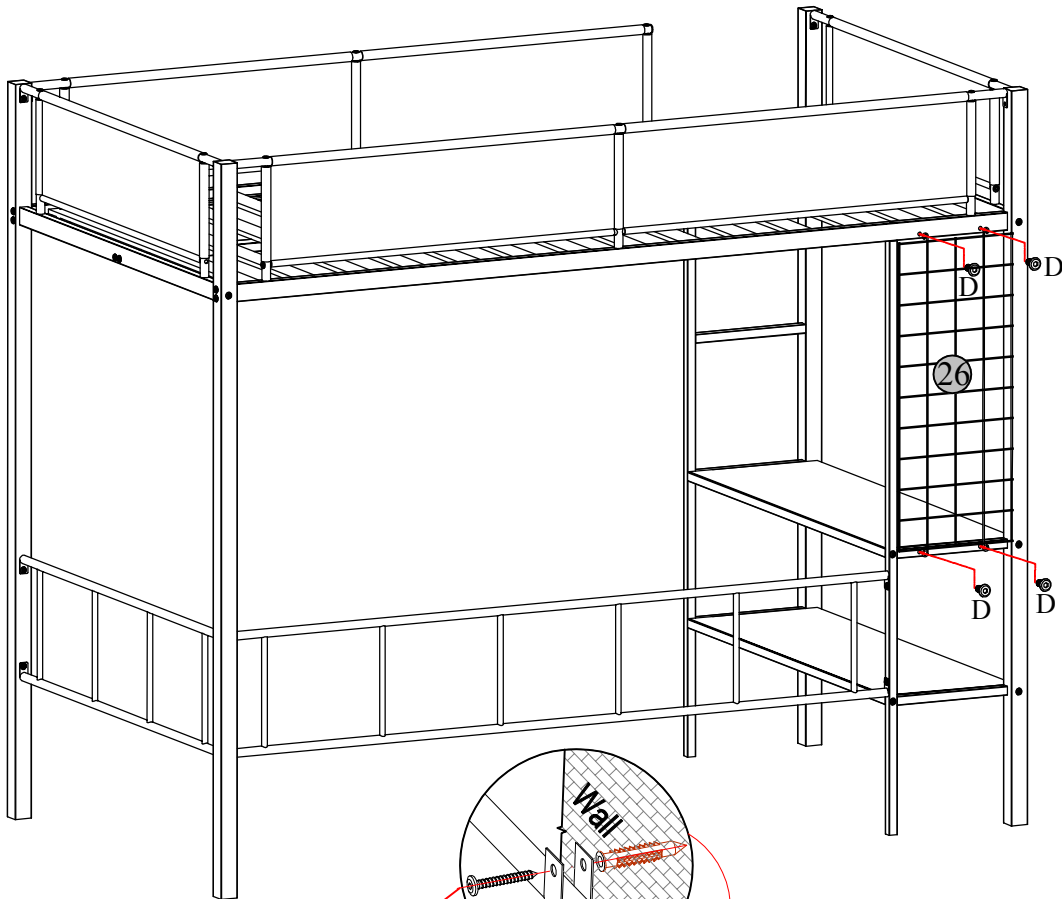
STEP 6 :



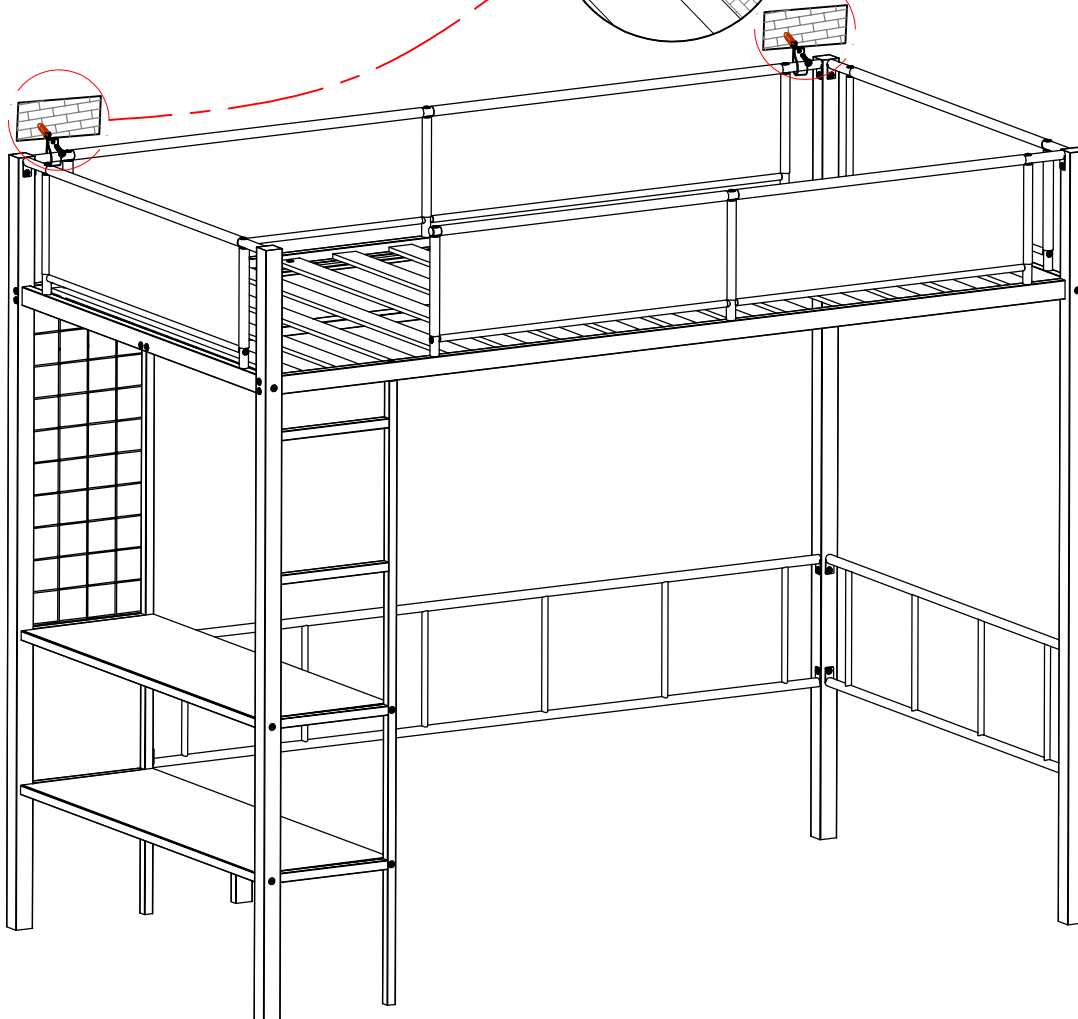
(A)	18PCS
	1/4*55
(B)	8PCS
	1/4*35
(D)	15PCS
	1/4*15
(E)	8PCS
	40*40
(G)	2PCS
	20*20
(I)	1PC
	4*59


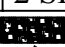

# TWIN OVER FULL L-SHAPED BUNK BEDS WITH BUILT IN SHELF ASSEMBLY INSTRUCTIONS

STEP 7 :



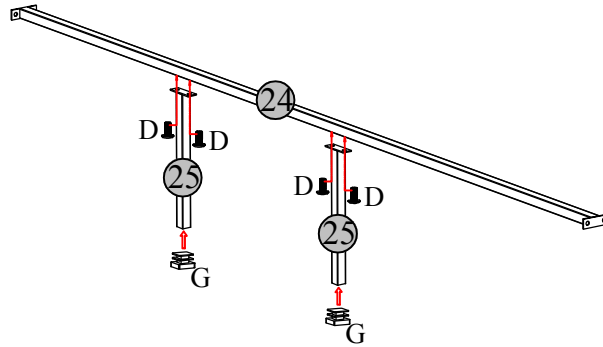
STEP 8 :



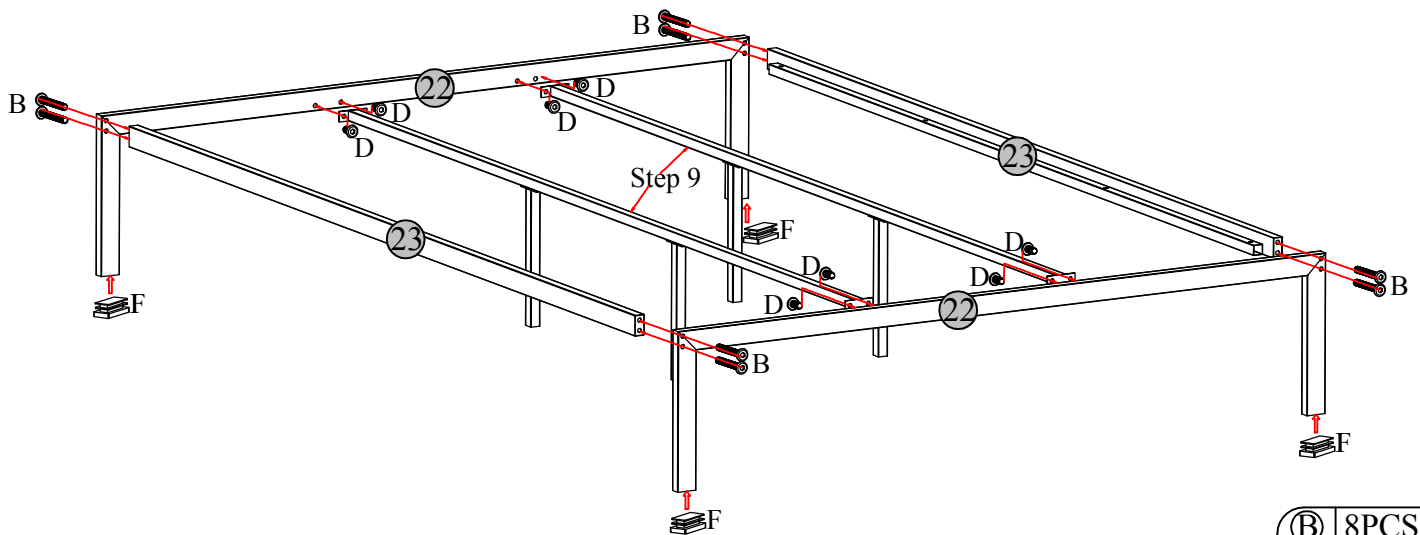
- ⓓ 4PCS
-  1/4\*15
- ⓗ 2 SET
-  1PC
-  4\*59





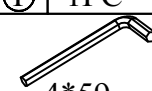
# TWIN OVER FULL L-SHAPED BUNK BEDS WITH BUILT IN SHELF ASSEMBLY INSTRUCTIONS

## STEP 9 : 2 SET



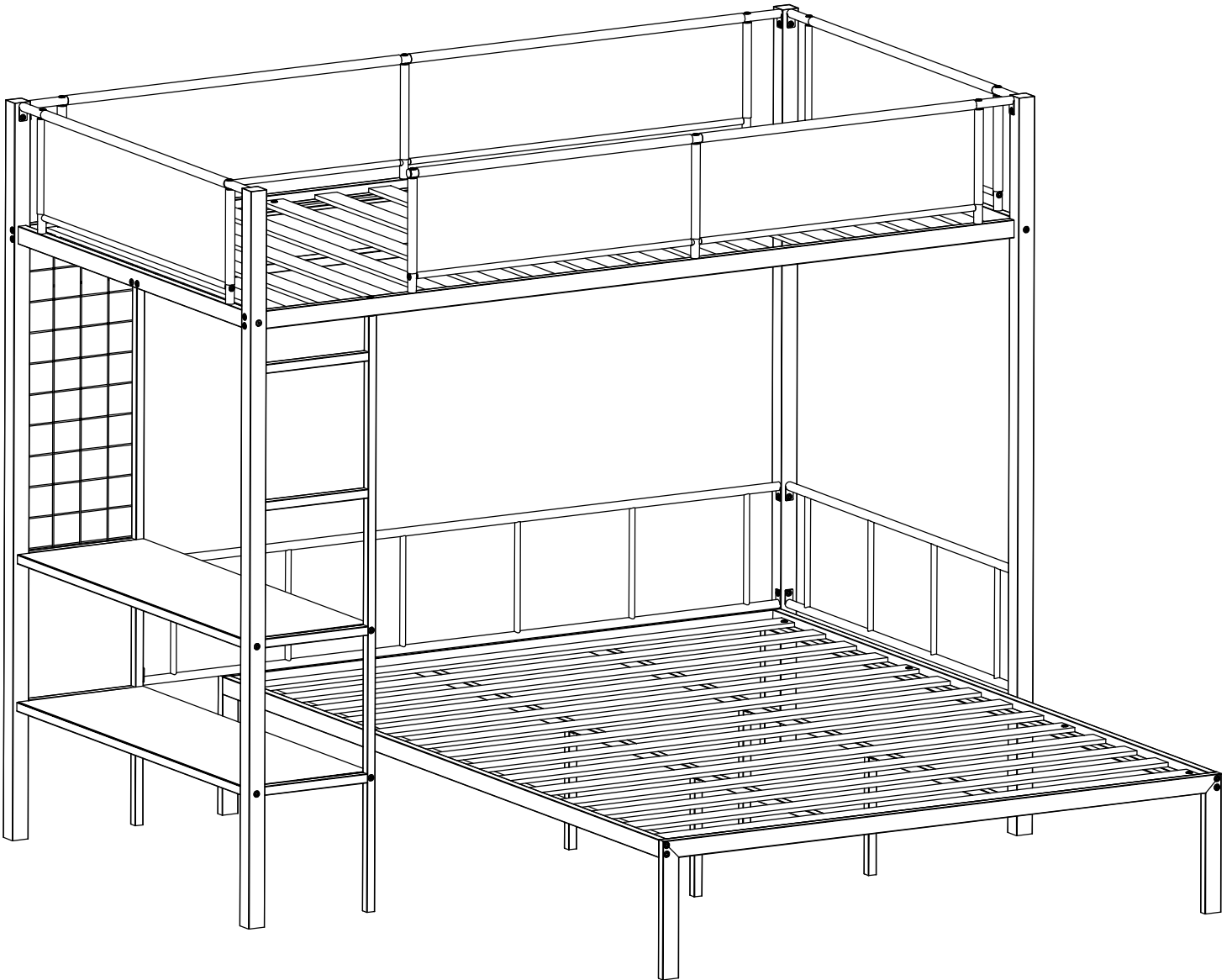
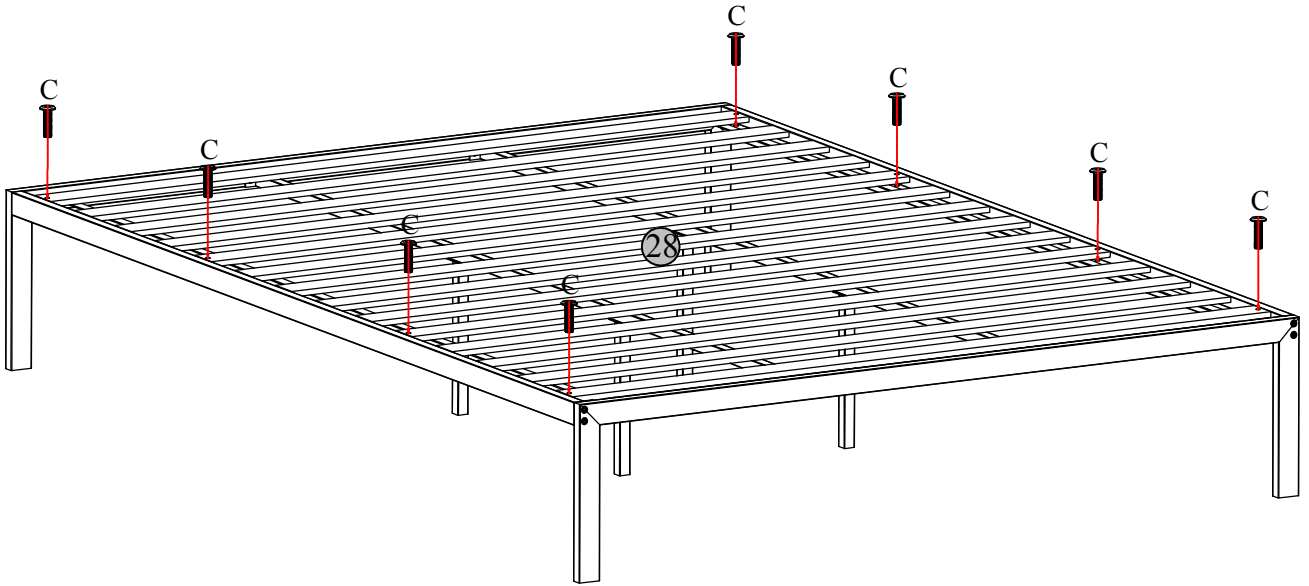
## STEP 10 :





(B)	8PCS
	1/4*35
(D)	16PCS
	1/4*15
(F)	4PCS
	40*20
(G)	4PCS
	20*20
(I)	1PC
	4*59

# TWIN OVER FULL L-SHAPED BUNK BEDS WITH BUILT IN SHELF ASSEMBLY INSTRUCTIONS

STEP 11 :



Ⓒ 8PCS	Ⓓ 1PC
 1/4*25	 4*59