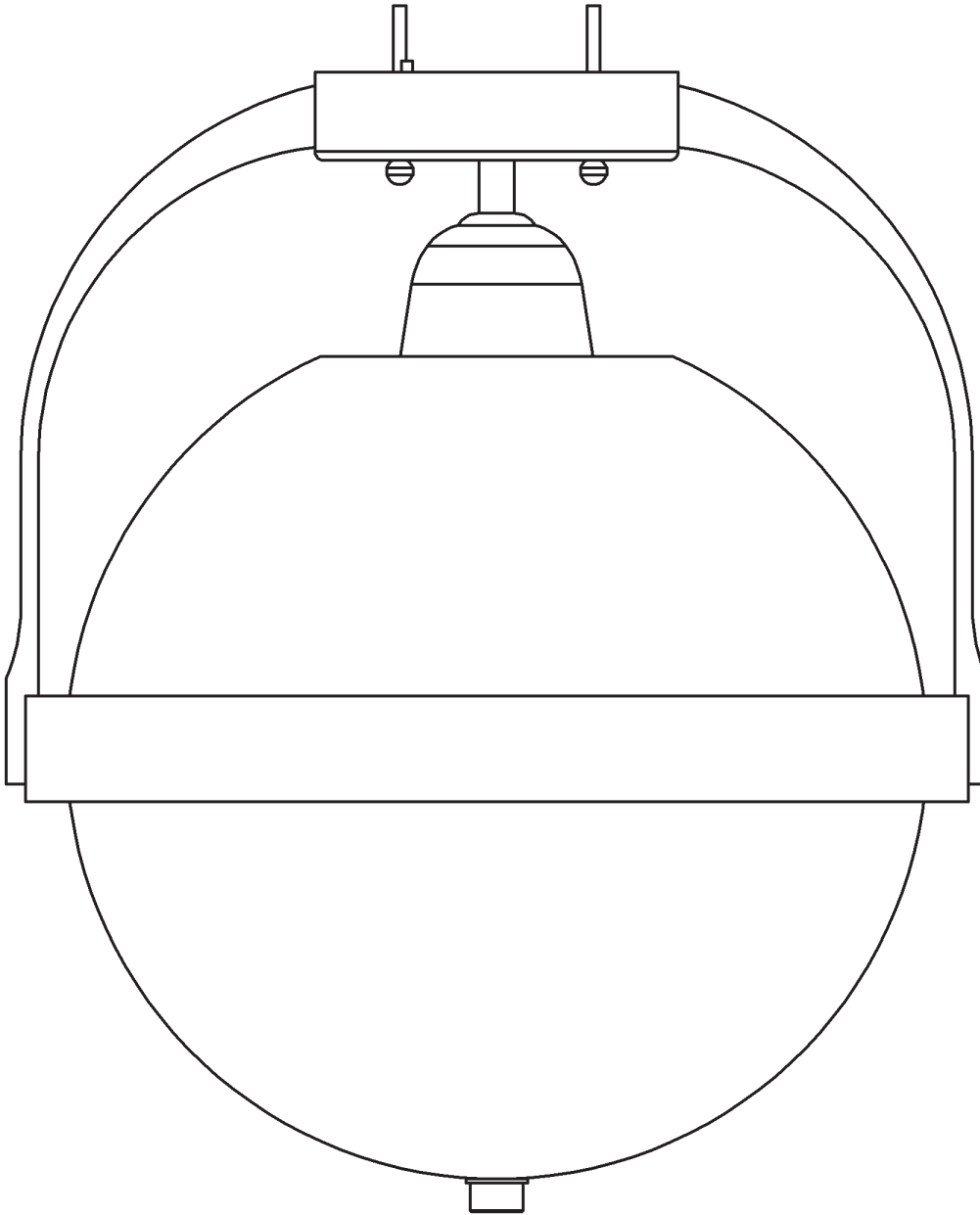


# ASSEMBLY & INSTALLATION INSTRUCTIONS

Atlas Semi Flush 121380

A757



## Component Parts

- A**      **Fixture**
- B**      **Crossbar**
- C**      **Ground Screw**
- D**      **Threaded Stud (2)**
- E**      **Canopy**
- F**      **Knurled Ball (2)**
- G**      **Bulb - Not Included**
- H**      **Socket**
- I**      **Glass**
- J**      **Nipple**
- K**      **Black Rubber Washer (2)**
- L**      **Painted Washer**
- M**      **Knob**

Atlas Semi Flush 121380

**CAUTION: FAILURE TO INSTALL THIS FIXTURE PROPERLY MAY RESULT IN SERIOUS PERSONAL INJURY OR DEATH AND PROPERTY DAMAGE.** We recommend installation by a licensed electrician. This product must be installed in accordance with applicable installation code(s), by a person familiar with the construction and operation of the product and the hazards involved.\*

**Caution:** Do not exceed maximum wattage noted on fixture. Use only recommended bulbs with fixture.

*Please Note: After installation extra hardware and accessories are possible; our kits are used on multiple products.*

## To Install Fixture (Figure 1)

**CAUTION: BE SURE POWER IS OFF AT THE MAIN BREAKER BOX PRIOR TO INSTALLATION.**

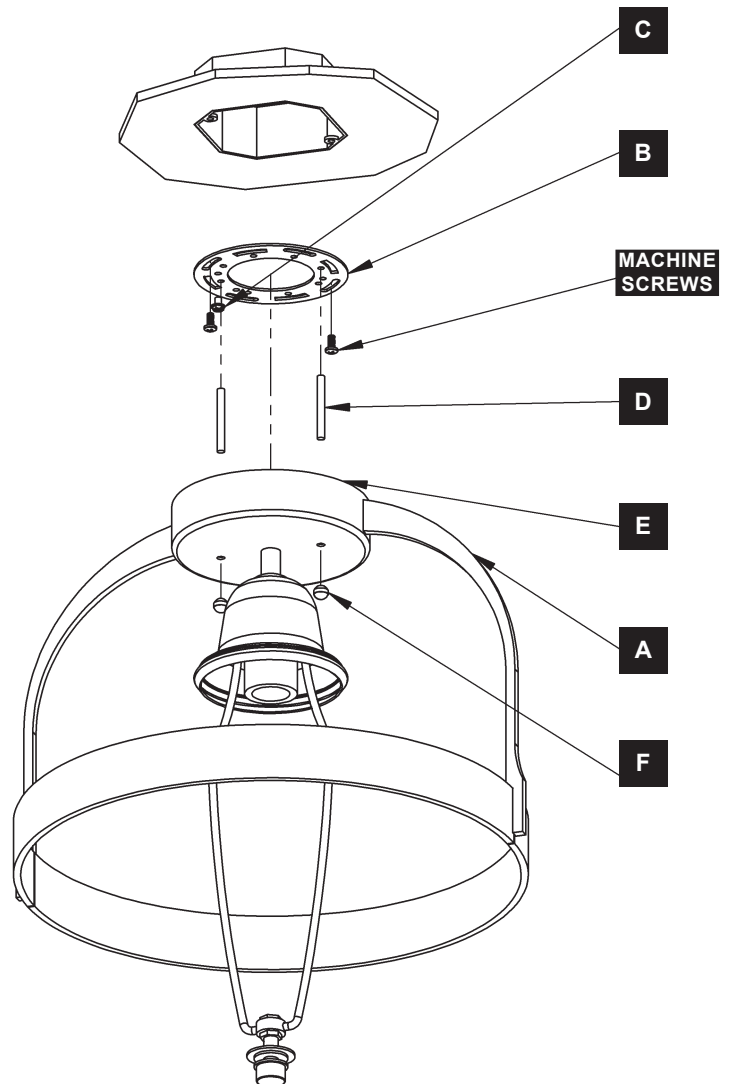
1. Carefully unpack the fixture (A) from the carton.
2. Using two machine screws (not provided) attach crossbar (B) to the electric box using outer oval holes to orient fixture.
 

**Note:** A new electric box comes with screws. When replacing a fixture, retain the existing screws for use with the new fixture.
3. Install threaded studs (D) into appropriate holes in crossbar (B) to line up with holes in canopy (E).
4. Hold fixture (A) close to ceiling. Using suitable wire connectors (not provided) connect fixture wires to supply (white to white and black to black). Attach a pigtail lead to ground screw (C). Connect all ground wires (bare copper or green to bare copper or green).

**CAUTION: MAKE SURE WIRE CONNECTORS ARE TWISTED ON SECURELY, AND NO BARE WIRE IS EXPOSED.**

5. Carefully tuck all wires inside canopy (E), push fixture firmly against the ceiling and fasten by threading knurled balls (F) onto threaded studs (D).
 

**Note:** Be sure no wires are pinched between the ceiling and the fixture. Be sure threaded studs are fully seated in balls.
6. See instructions on next page for installing glass.

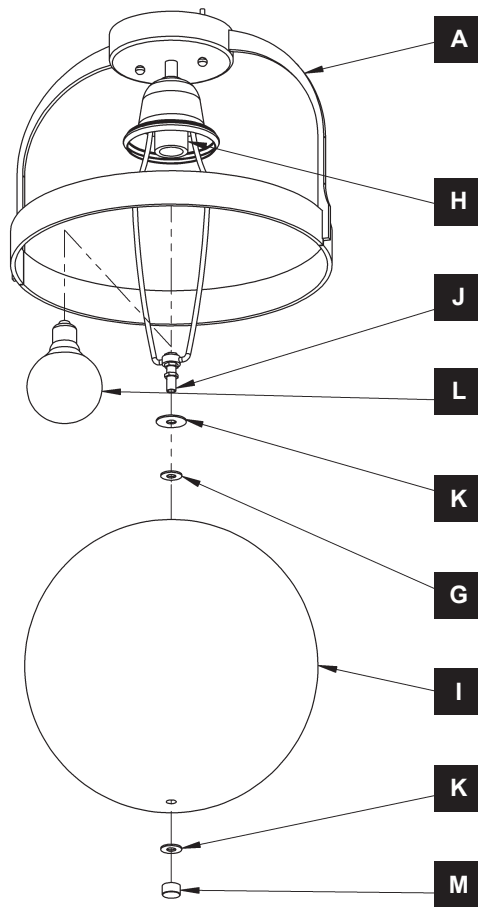


(Figure 1)

Atlas Semi Flush 121380

## To Install Glass *(Figure 2)*

1. Unpack glass (I).
2. Install bulb (G) *(not included)* into socket (H).
3. Washers (K,L) and knob (M) are shipped attached. Only remove knob (M) and one rubber washer (K) ensuring the remaining rubber washer (K) is retaining painted washer (L) on nipple (J) before moving onto next step.
4. Slide glass (I) through the ring on fixture (A), slide over nipple (J) and up against rubber washer (K).
5. Place rubber washer (K) against glass (I) and secure all by threading knob (M) onto nipple (J). *Do not overtighten as this could break glass.*
6. Restore electricity at main breaker.



*(Figure 2)*

If you need further assistance, or find that you are missing any parts, please contact the dealer from which you purchased this product. We hope you enjoy your fixture!

*\* Hubbardton Forge will not be liable for injury or damage caused by improper installation, lamping or use of this fixture.*