

Installation Manual

for

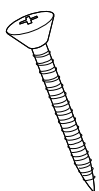
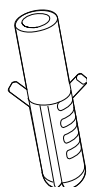
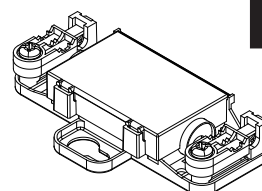
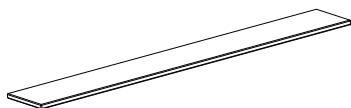
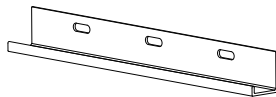
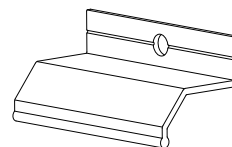
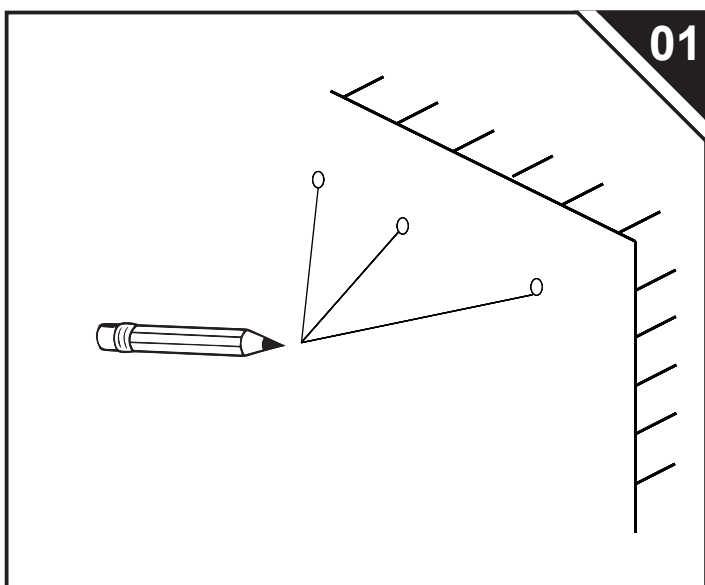
Medicine Cabinet

Jim's
Maison

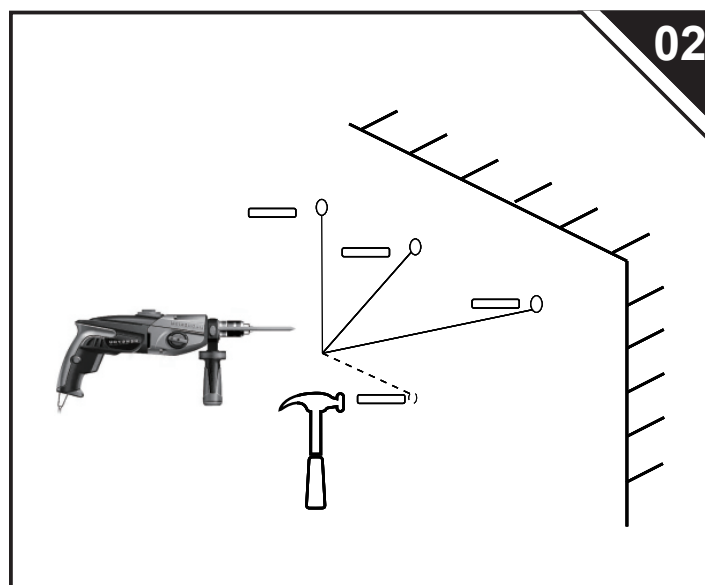
service@jimsidea.com
www.jimsidea.com

Good Choice!



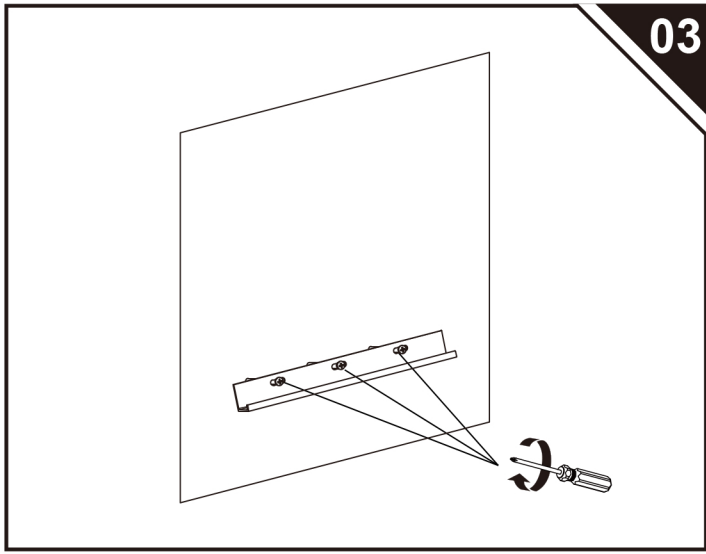
**A** x 5**B** x 5**C** x 1**D** x 2**E** x 1**F** x 2

01

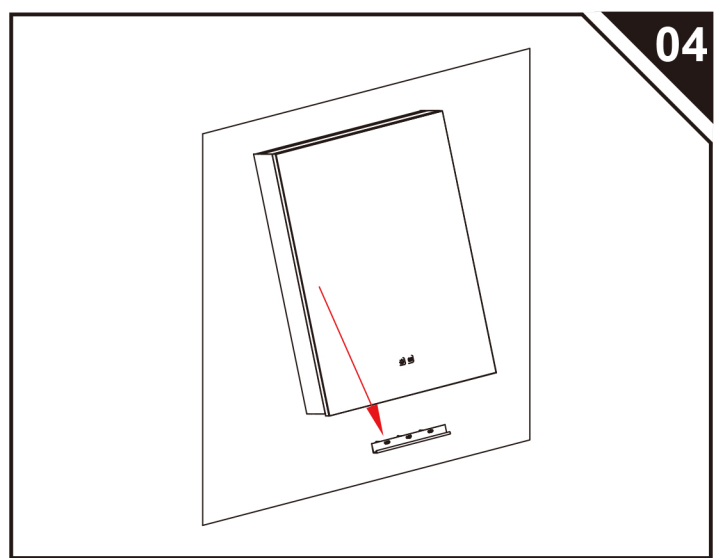


02

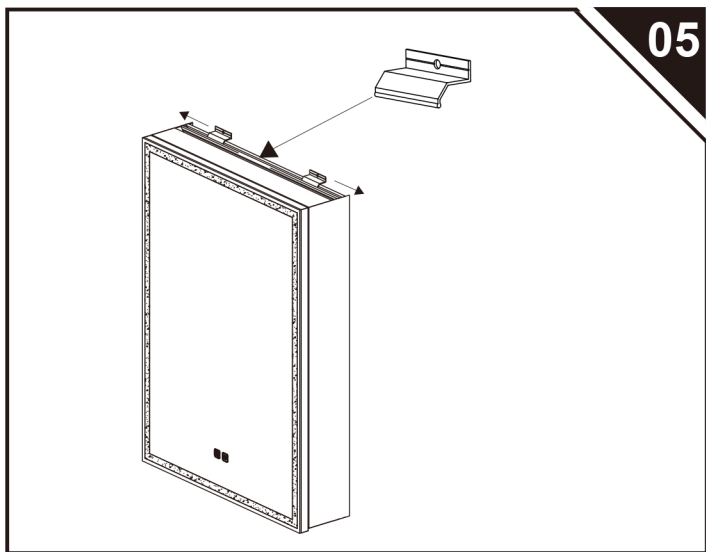
1. Mark the hole position on the wall.
2. Drill the holes and place the suitable plastic anchors.



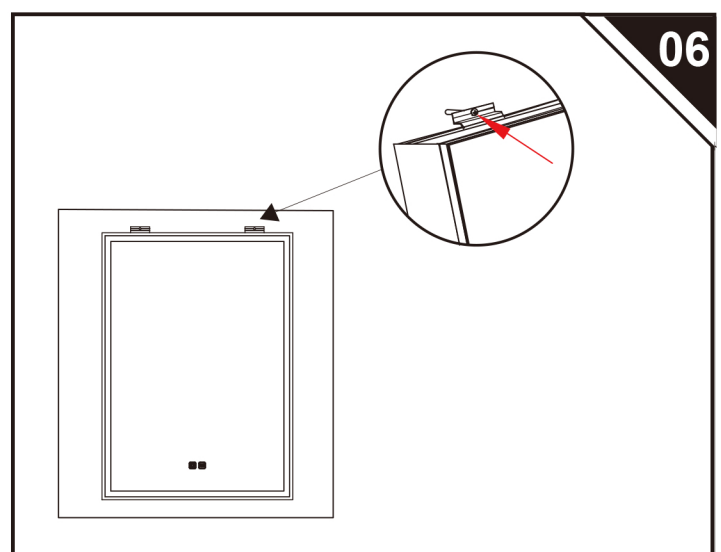
3. Screw the strip bracket to the wall.



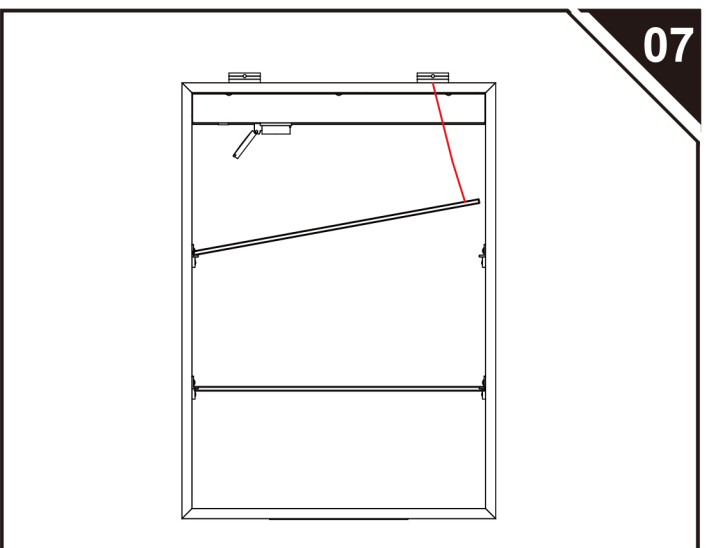
4. The bottom slot of the mirror cabinet is installed on the long bracket.



5. The short bracket is mounted on the cabinet through the center chute.



6. Screw the short bracket to the wall.



7. Install the glass laminate onto the moving bracket.