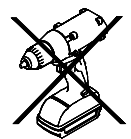
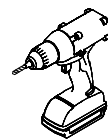
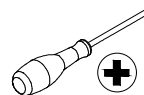
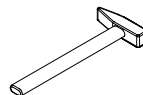
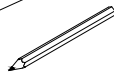
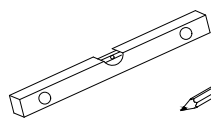
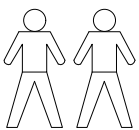
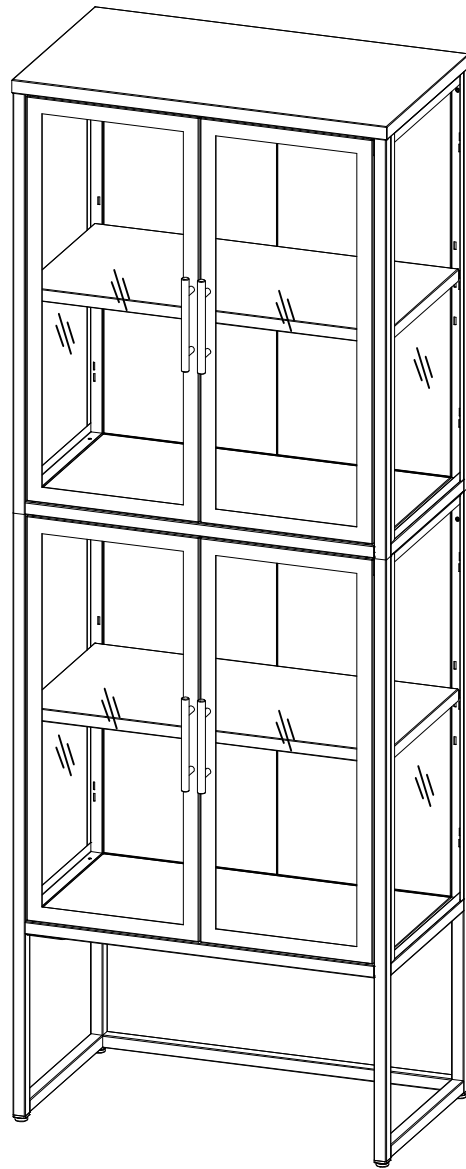
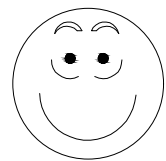
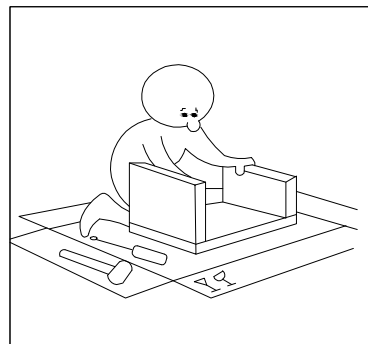
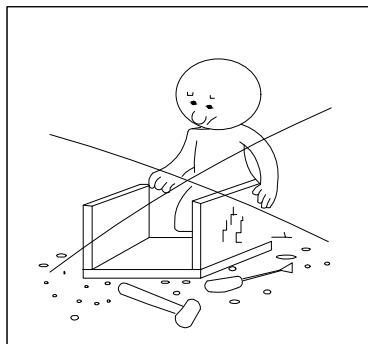
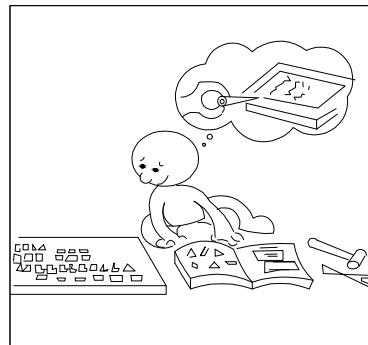
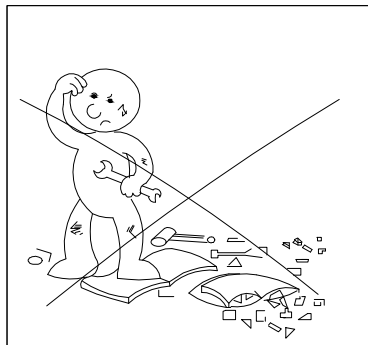
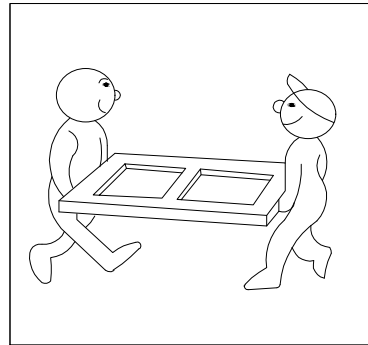
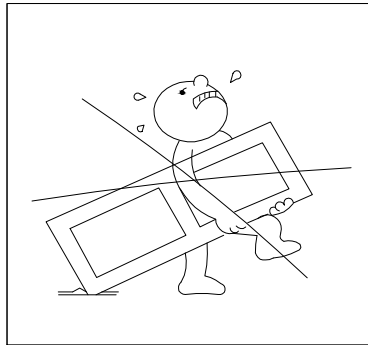
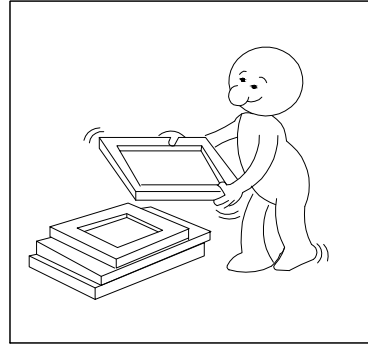
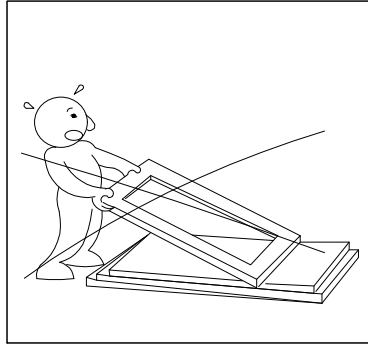
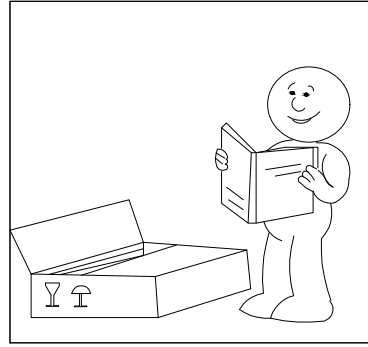
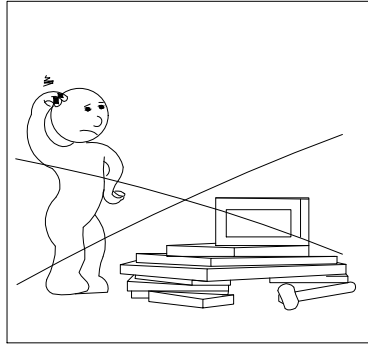
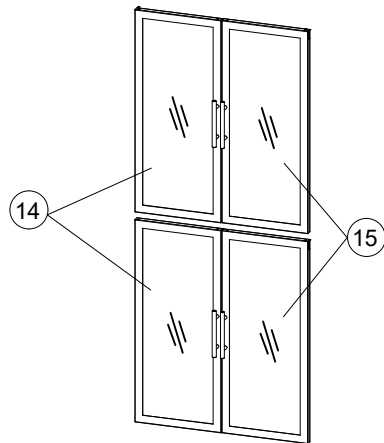
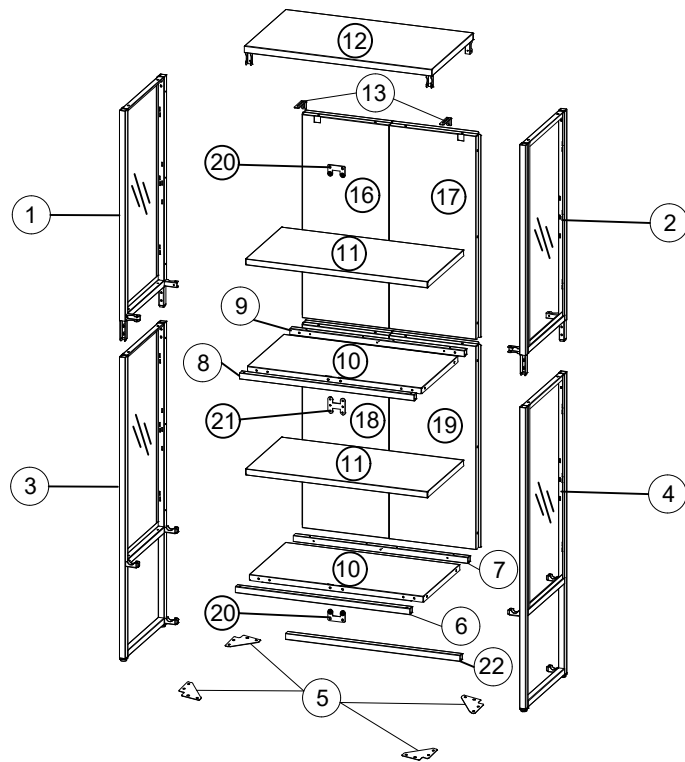


# Assembly Instructions

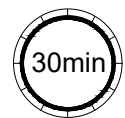
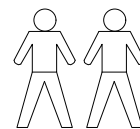



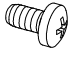
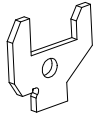
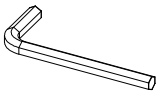



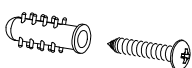





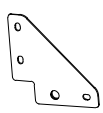


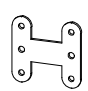




**Box 1/1:**

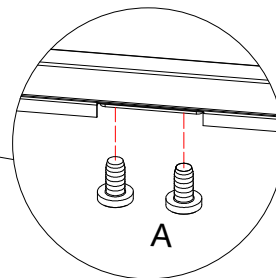
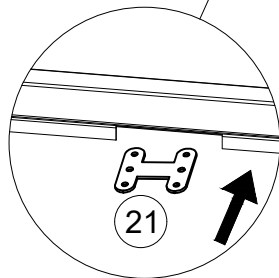
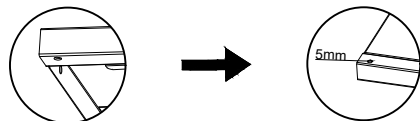
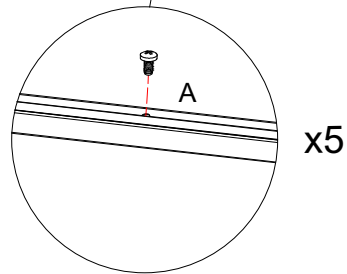
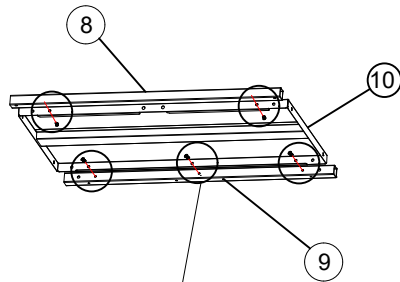
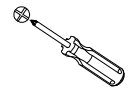
- 1 2 3 4 5 x4 6 7 8 9 10 x2 11 x2 12  
 13 x2 14 x2 15 x2 16 17 18 19 20 x2 21 22



			
<b>A (78)</b>  <b>M4x8mm</b>	<b>B (8)</b> 	<b>C (1)</b> 	<b>D (8)</b>  <b>M4x22mm</b>
<b>E (4)</b>  <b>96mm</b>	<b>F (6)</b>  <b>M6x10mm</b>	<b>G (2)</b> 	<b>H (4)</b>  <b>Ø4.8</b>
<b>I (8)</b>			
 <b>M3x8mm</b>	 <b>Ø10</b>	 <b>M3</b>	 <b>M3</b>
<b>5 × 4</b> 	<b>13 × 2</b> 	<b>20 × 2</b> 	<b>21</b> 

1

A (7)  
M4x8mm

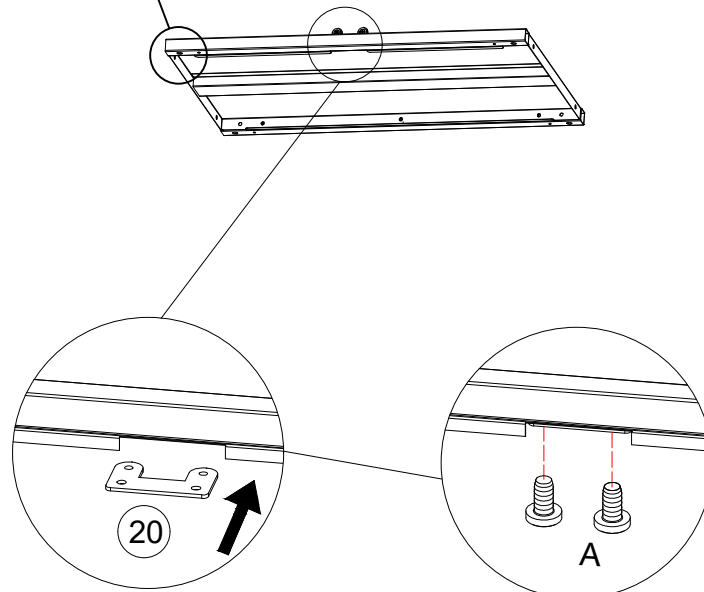
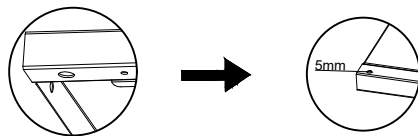
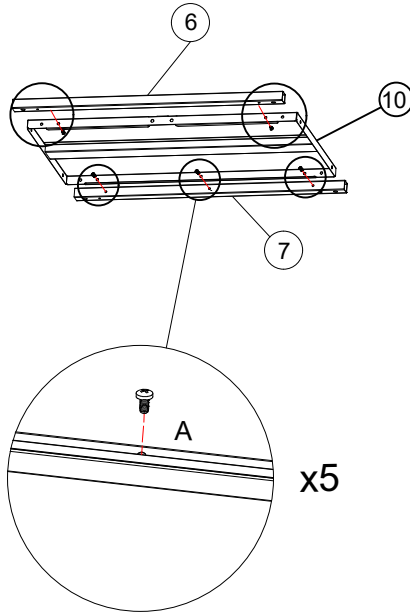
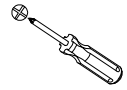


2

A (7)



M4x8mm

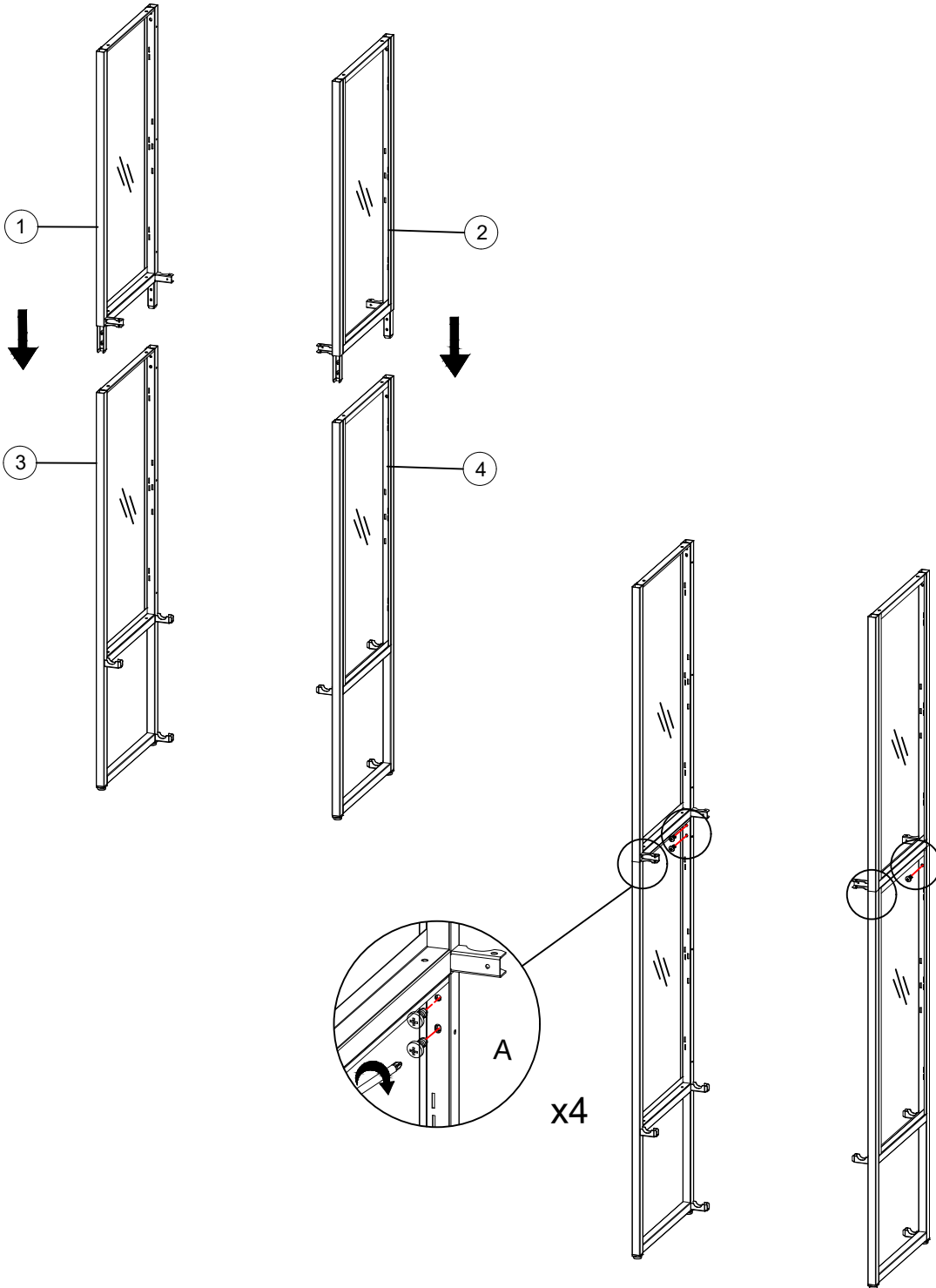
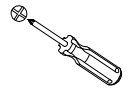


3

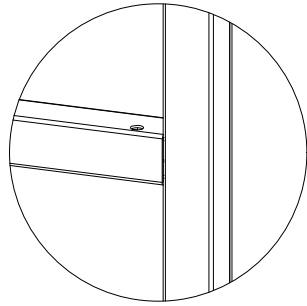
A (8)



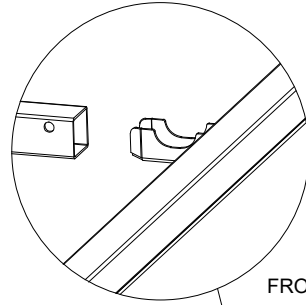
M4x8mm



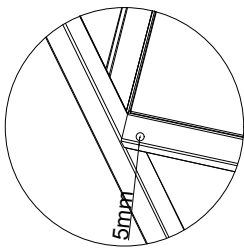
4



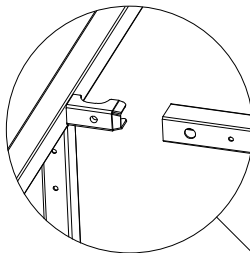
FROM TOP VIEW



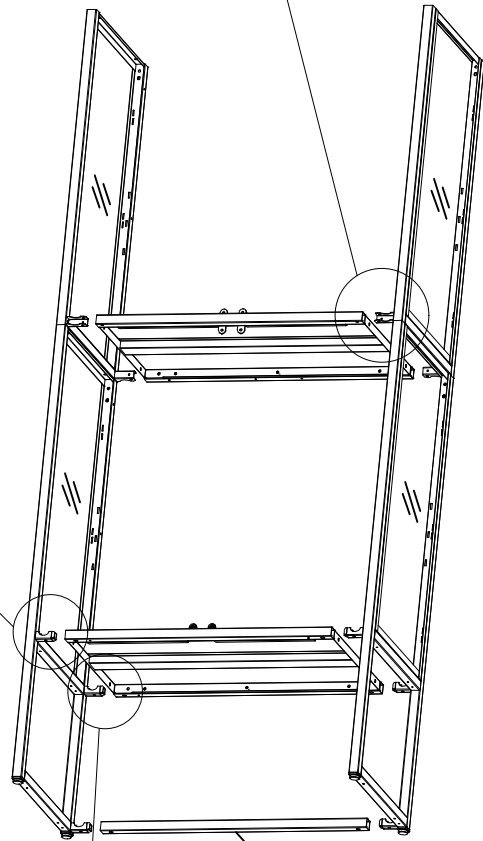
FROM THE BOTTOM VIEW



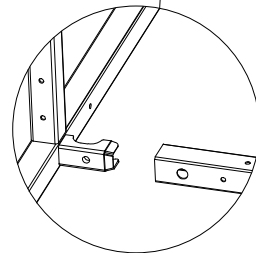
FROM TOP VIEW






FROM THE BOTTOM VIEW

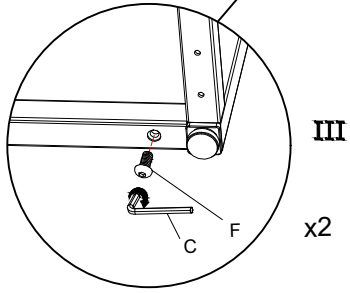
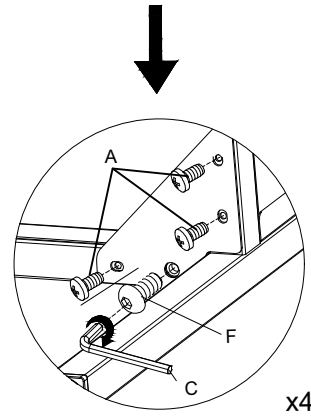
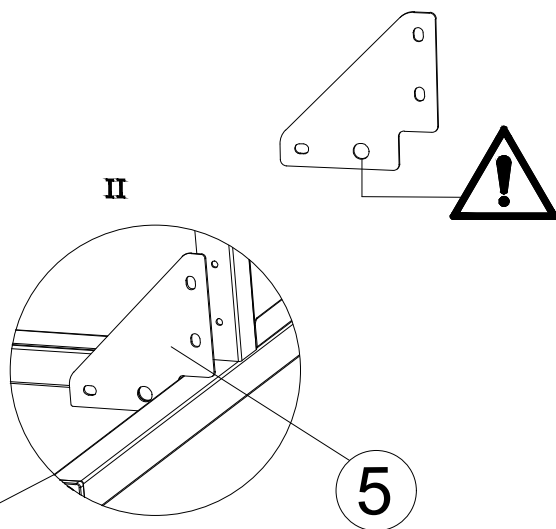
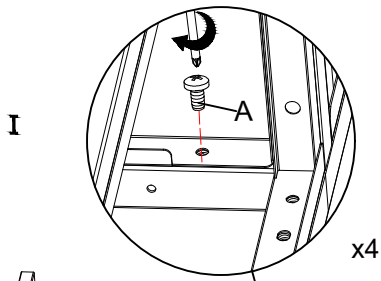
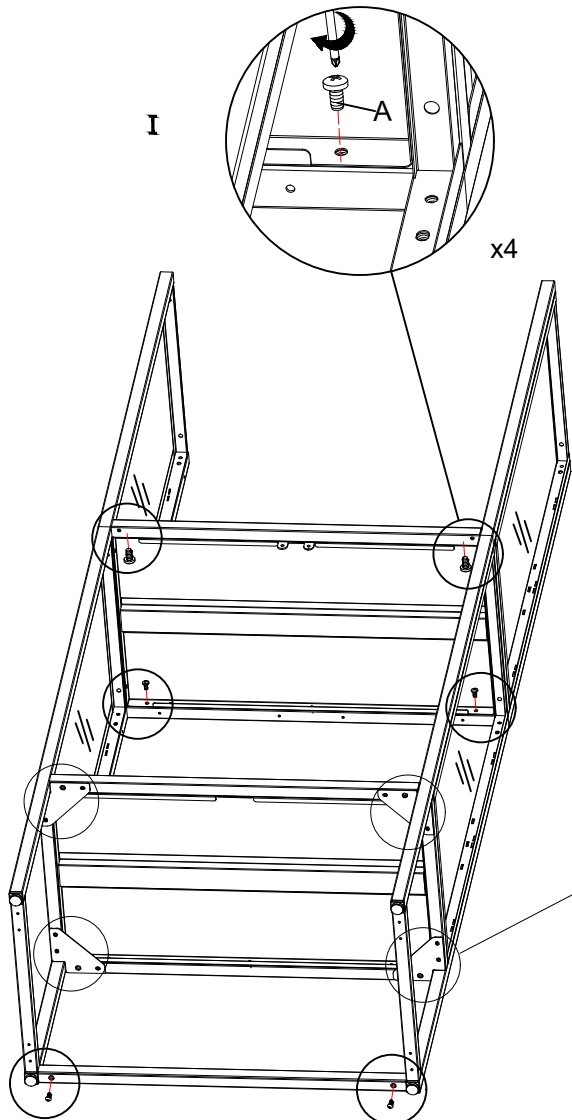
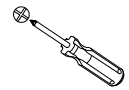


22



5

A (16)  M4x8mm	C (1) 	F (6)  M6x10mm
---	--	---

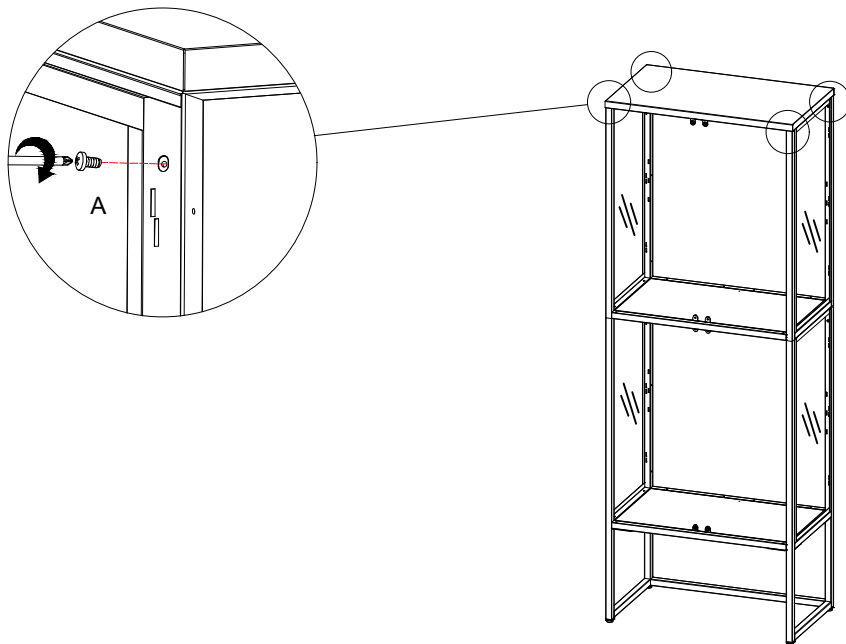
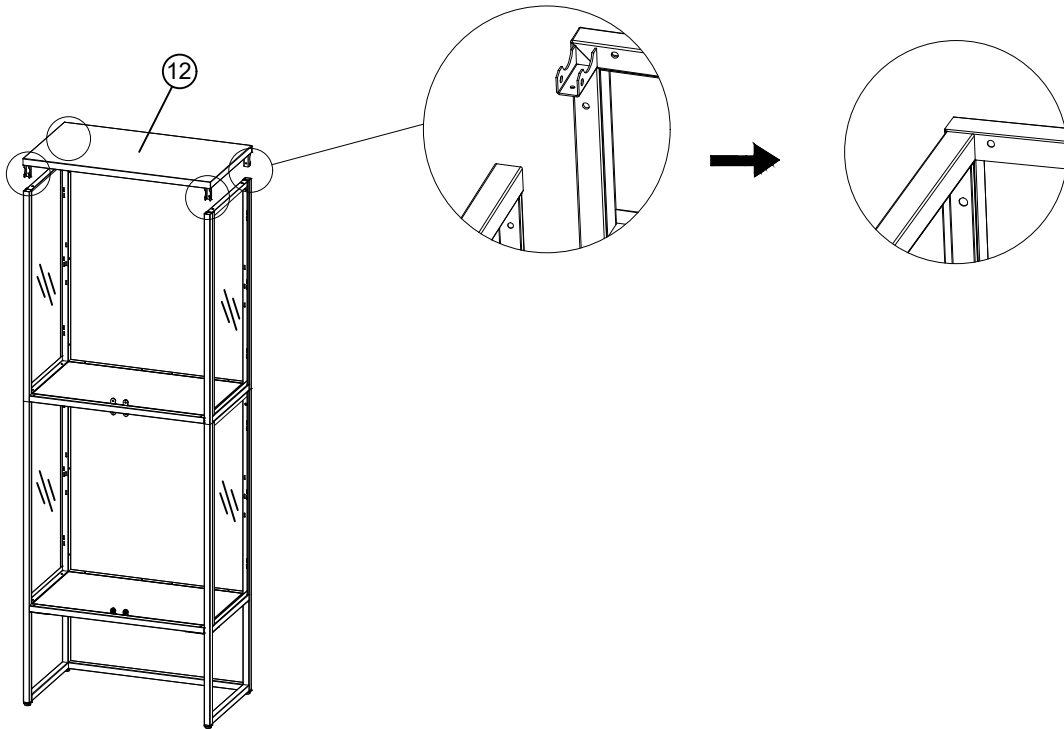
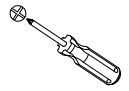


6





A (4)

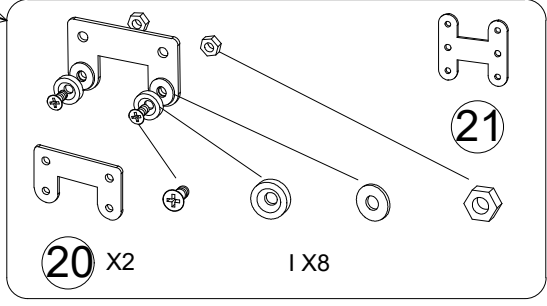
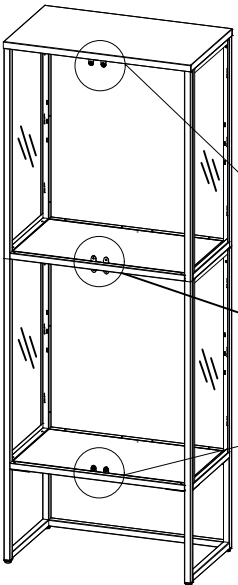
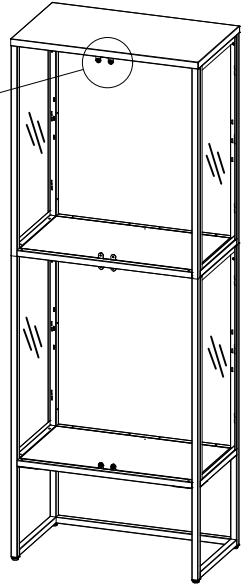
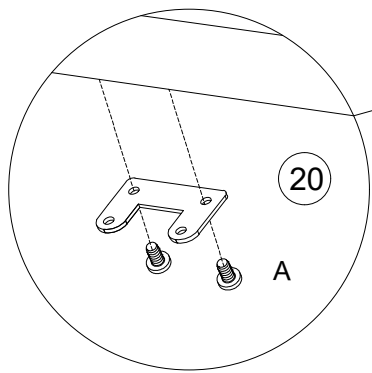


M4x8mm



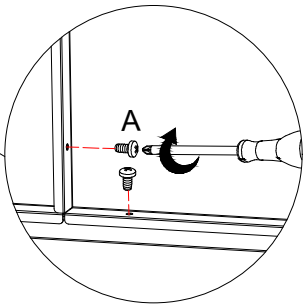
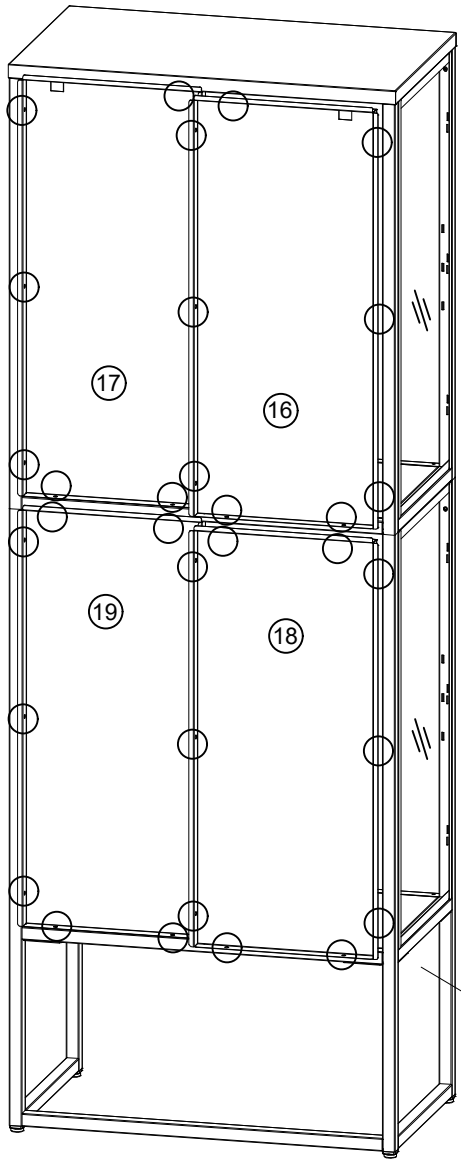
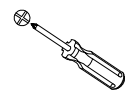
7

			
M3x8mm	M3	Ø10	M3



8

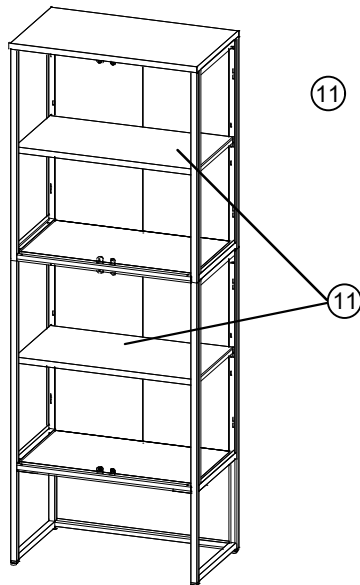
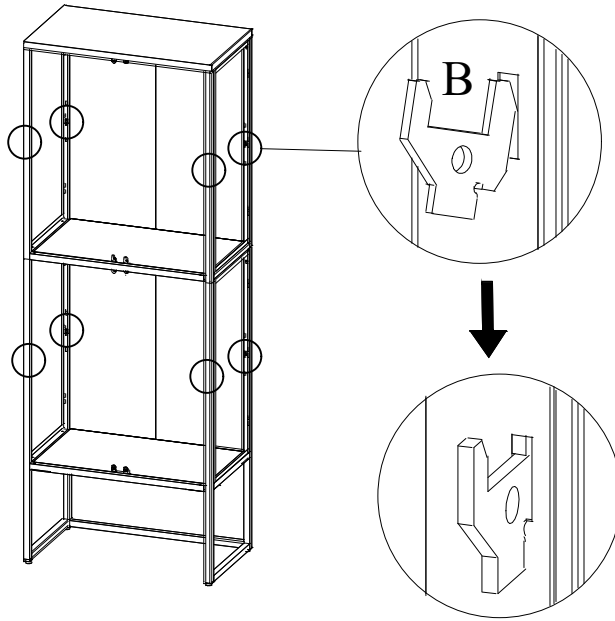
A (32)  
M4x8mm




x32

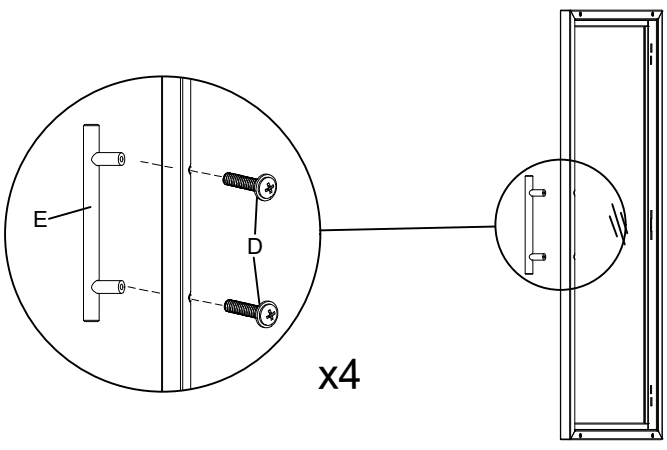
9

B (8)

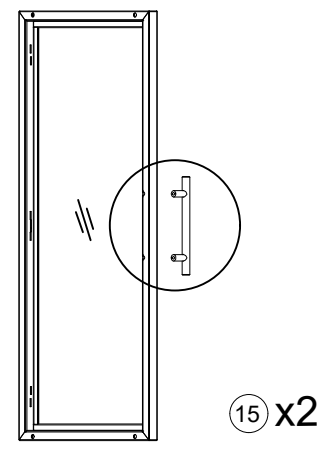


10

E (4) 	D (8)  M4x22mm	
--	---	---



14 x2



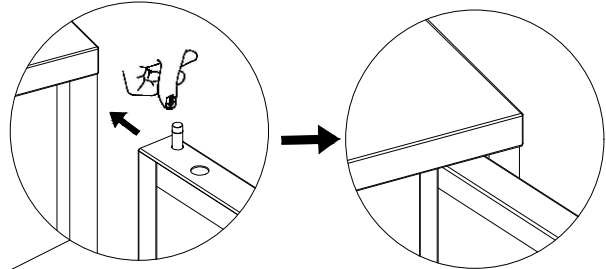
11

H (4)

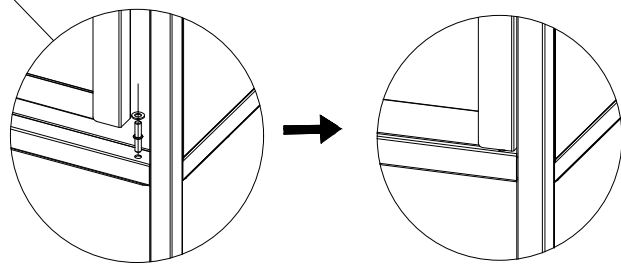
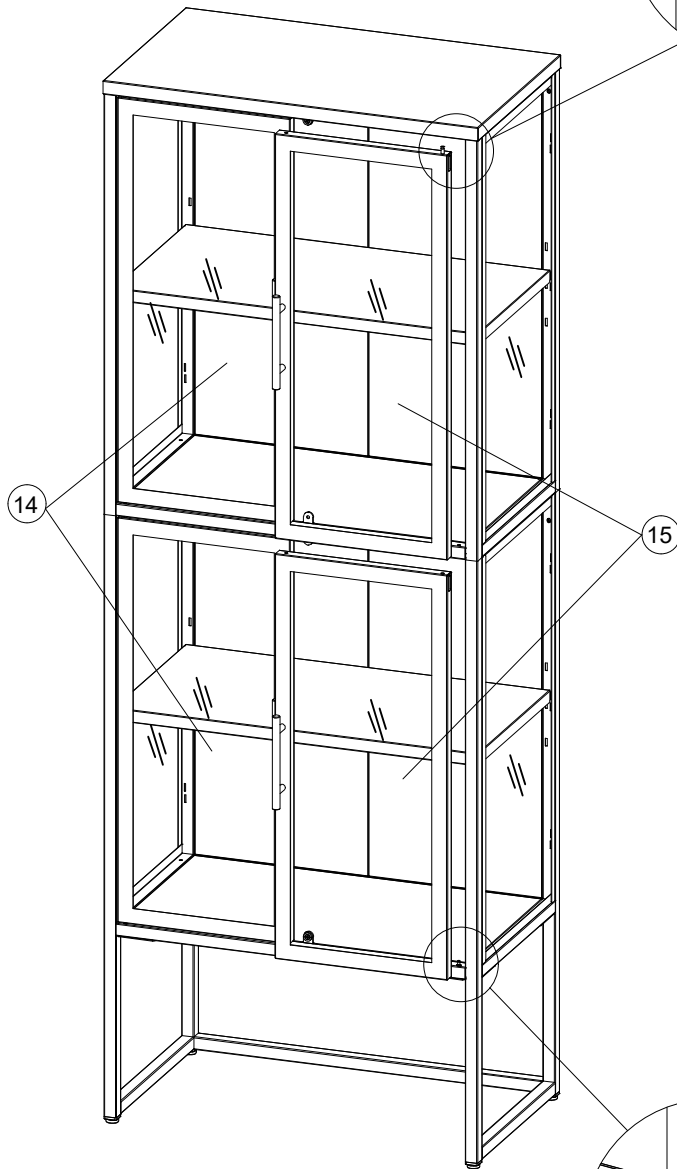


Ø4.8

Ø5

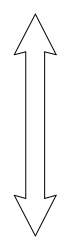
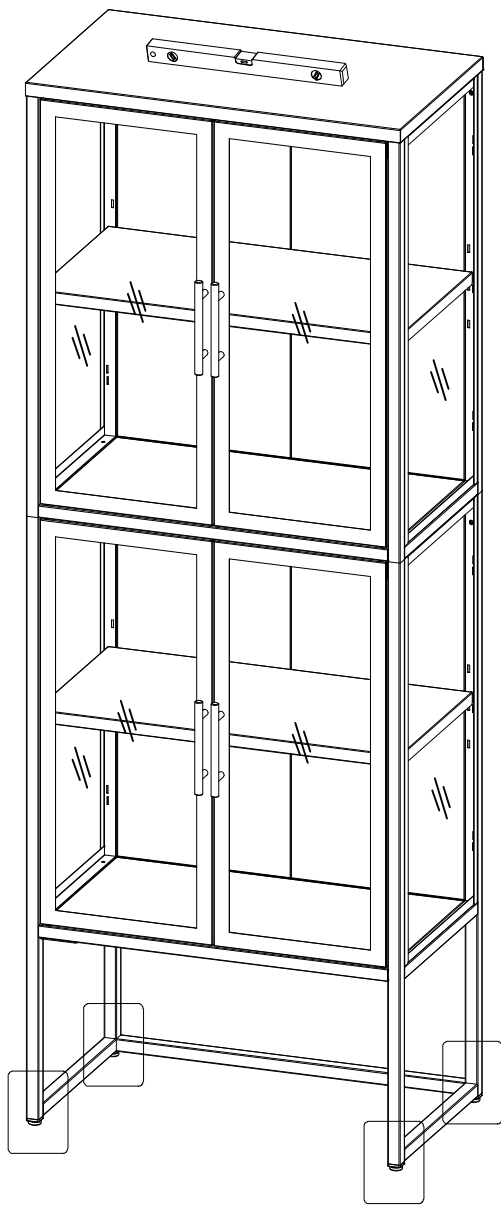
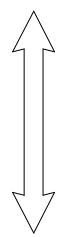
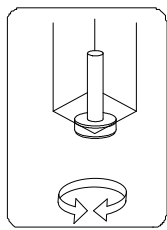
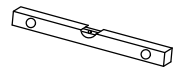


II



I

12



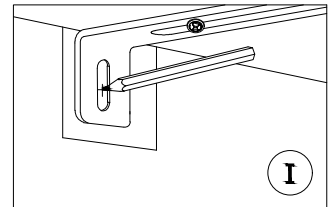
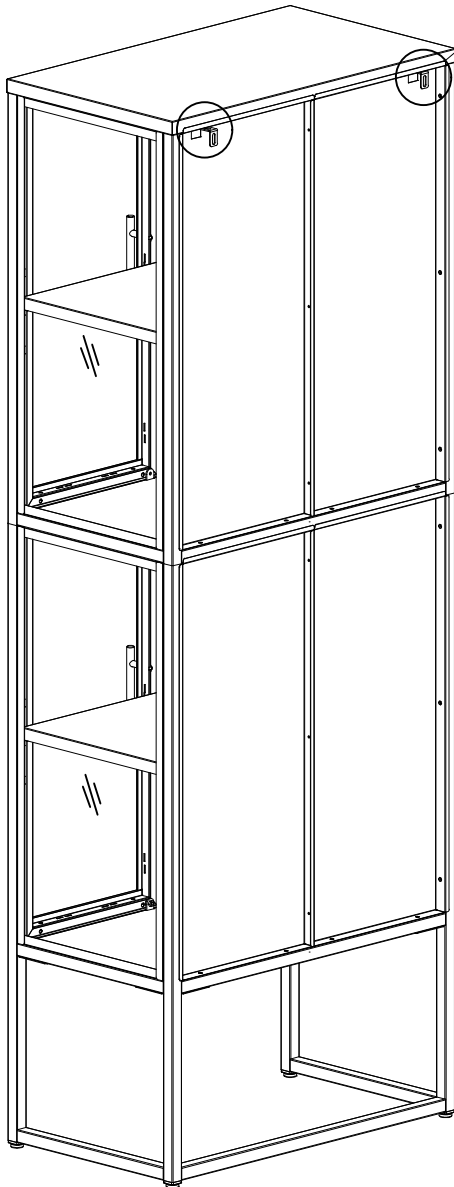
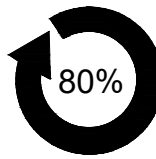
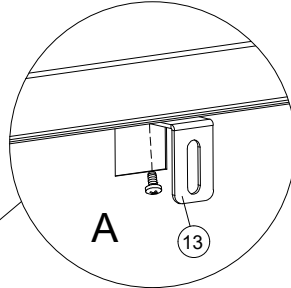
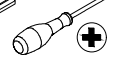
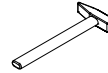
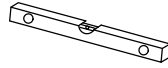
13

A (2)

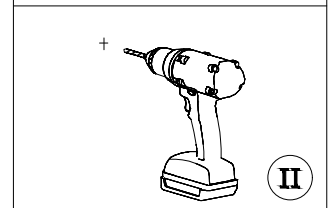


M4x8mm

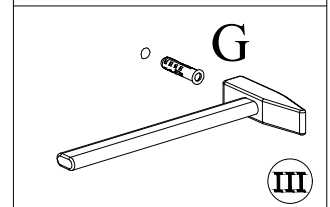
G (2)



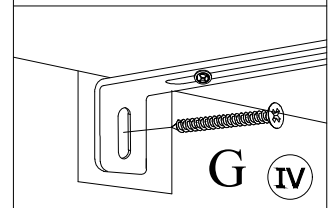
I



II

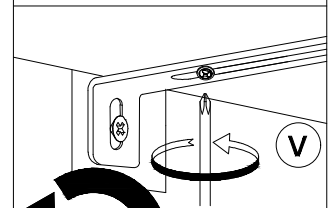


III

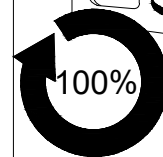


G

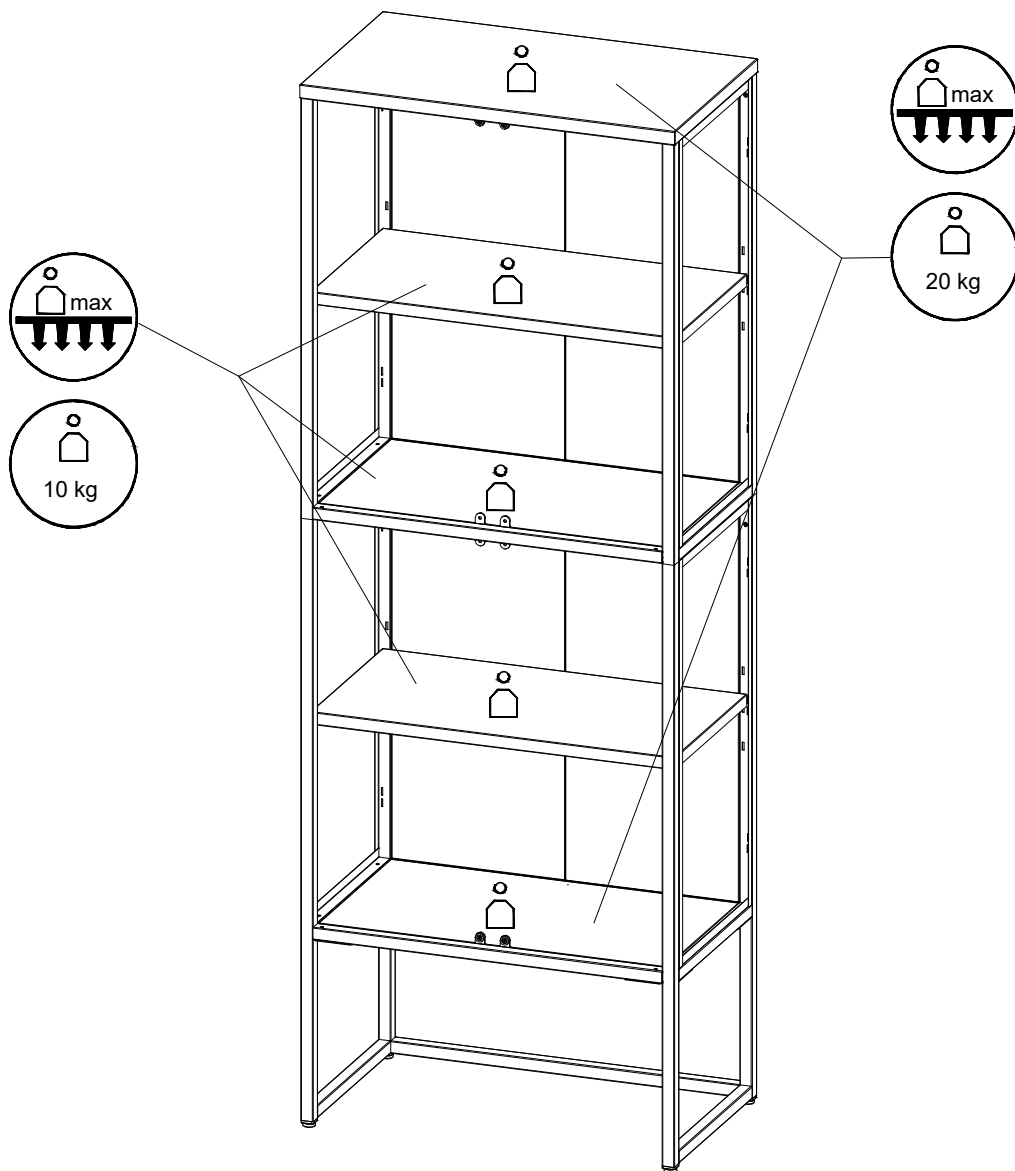
IV



V



14



15

