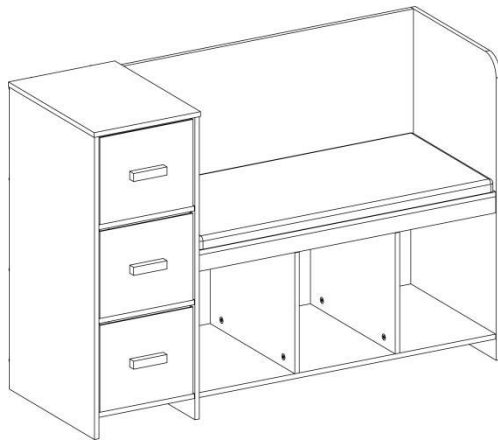


# KIDS STORAGE BENCHES

## USER MANUAL

We continue to be committed to provide you tools with competitive price. "Save Half", "Half Price" or any other similar expressions used by us only represents an estimate of savings you might benefit from buying certain tools with us compared to the major top brands and does not necessarily mean to cover all categories of tools offered by us. You are kindly reminded to verify carefully when you are placing an order with us if you are actually Saving Half in comparison with the top major brands.



## **SAFETY INSTRUCTIONS**

### **WARNING:**

**Read this material before using this product. Failure to do so can result in serious injury.**

### **Assembly precautions**

1. Assemble only according to these instructions. Improper assembly can create hazards.
2. Wear ANSI-approved safety goggles and heavy-duty work gloves during assembly.
3. Keep the assembly area clean and well-lit.
4. Keep bystanders out of the area during assembly.
5. Do not assemble when tired or when under the influence of alcohol, drugs or medication.
6. The product capabilities apply to properly and completely assembled products only.

Assemble on a flat, level, hard and smooth surface capable of safely supporting the KIDS STORAGE BENCHES.

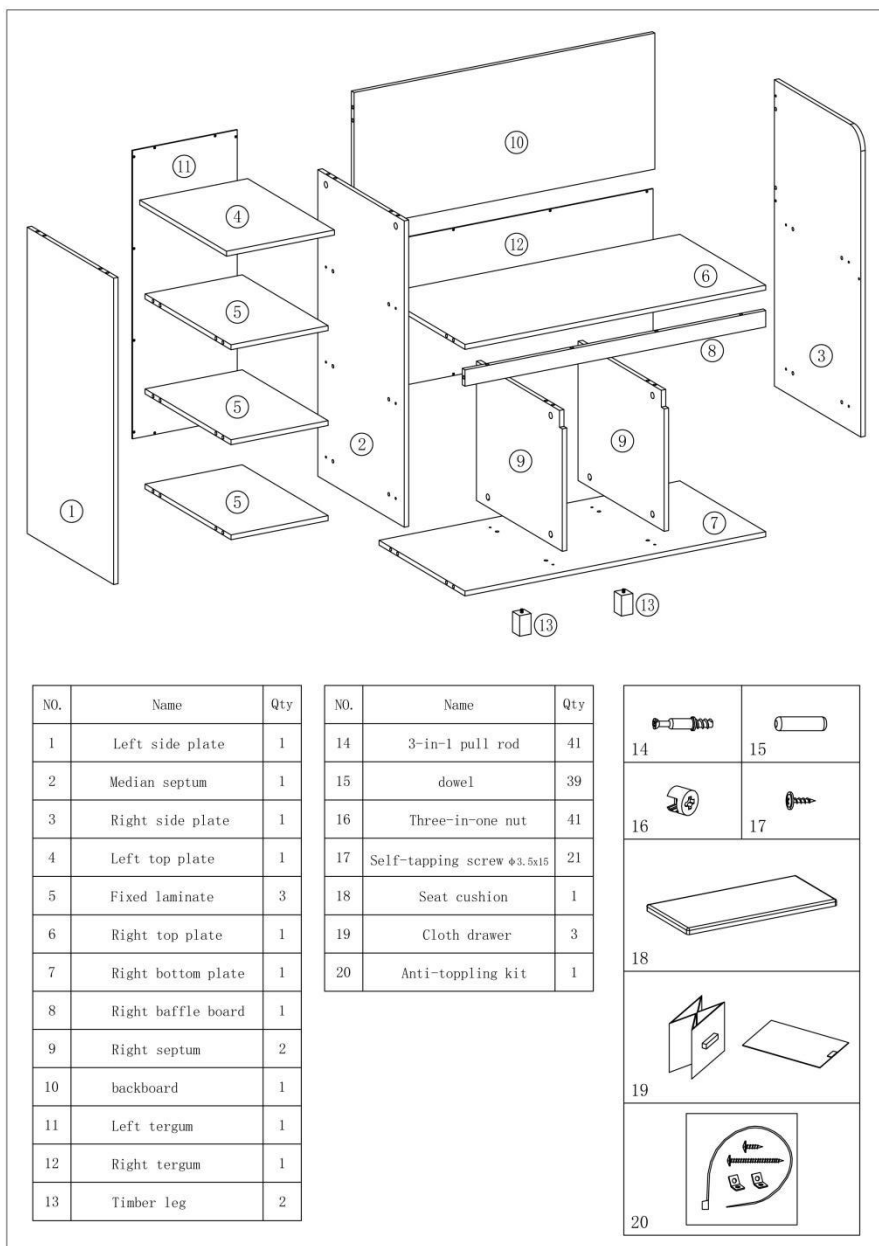
7. For additional information regarding the parts listed in the following pages, please refer to the Assembly Diagram of this manual. Unwrap and separate all parts in a clean work area.

### **Use precautions**

1. Do not exceed weight capacities.  
Use only on a flat, level, hard and smooth surface capable of safely supporting fully loaded KIDS STORAGE BENCHES.
2. Use as intended only.
3. Inspect before every use; do not use if parts are loose or damaged.

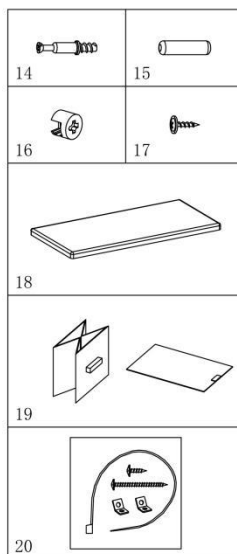
### **SAVE THIS MANUAL**

# PARTS LIST



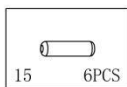
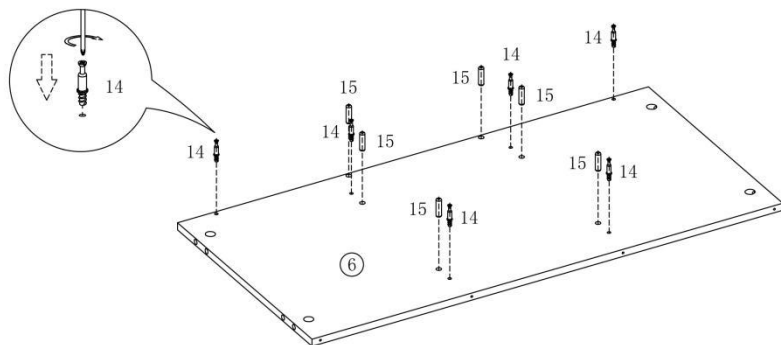
NO.	Name	Qty
1	Left side plate	1
2	Median septum	1
3	Right side plate	1
4	Left top plate	1
5	Fixed laminate	3
6	Right top plate	1
7	Right bottom plate	1
8	Right baffle board	1
9	Right septum	2
10	backboard	1
11	Left tergum	1
12	Right tergum	1
13	Timber leg	2

NO.	Name	Qty
14	3-in-1 pull rod	41
15	dowel	39
16	Three-in-one nut	41
17	Self-tapping screw $\phi 3.5 \times 15$	21
18	Seat cushion	1
19	Cloth drawer	3
20	Anti-toppling kit	1

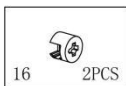
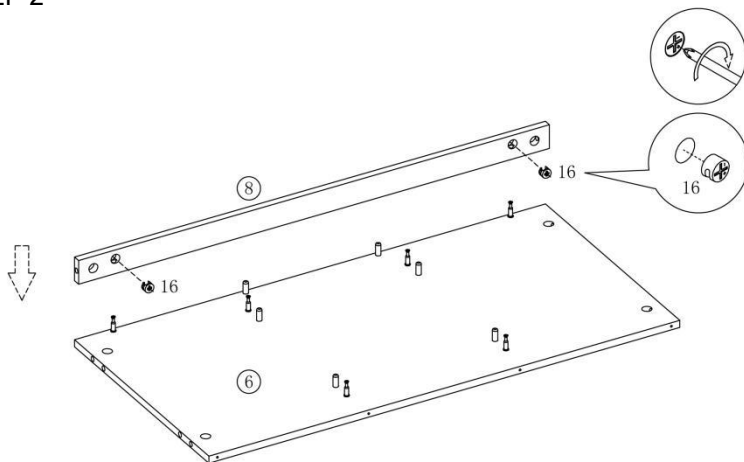


# INSTRUCTIONS

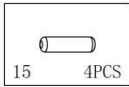
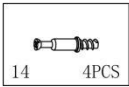
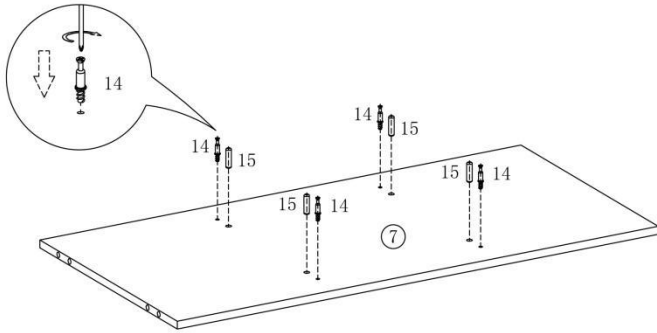
## STEP 1



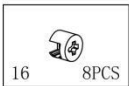
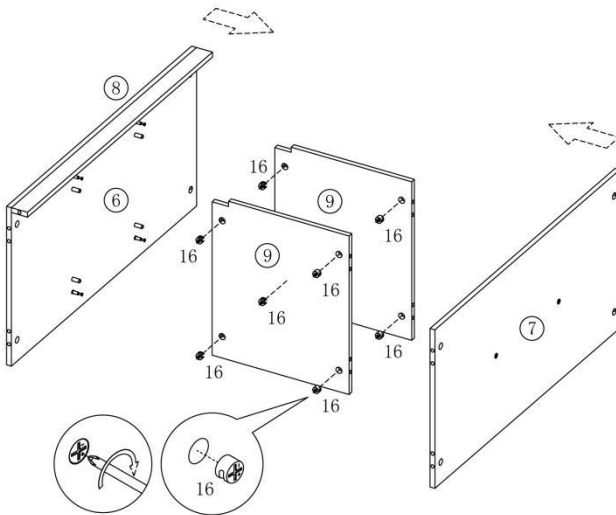
## STEP 2



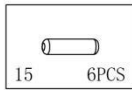
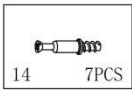
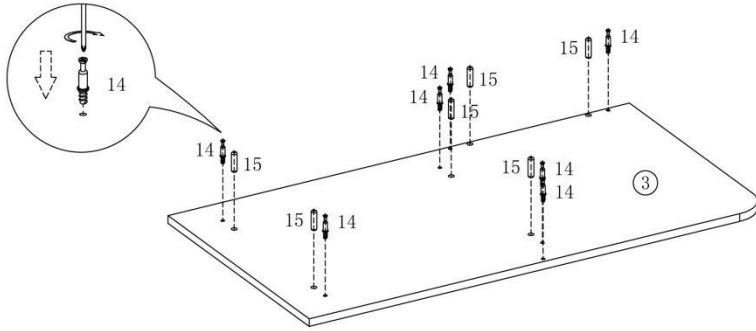
### STEP 3



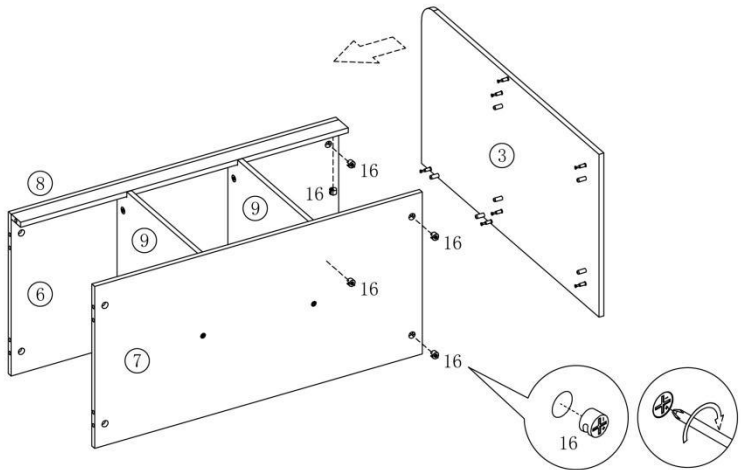
### STEP 4



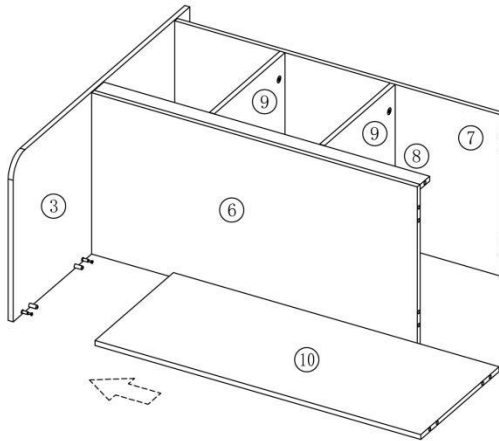
## STEP 5



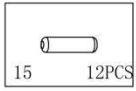
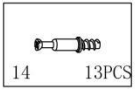
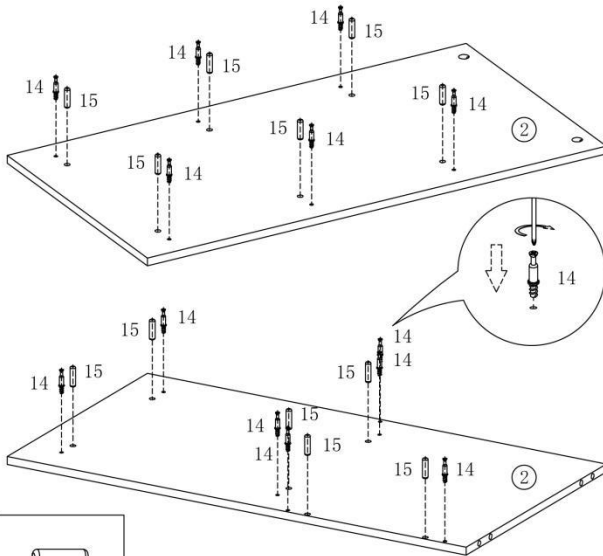
## STEP 6



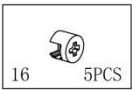
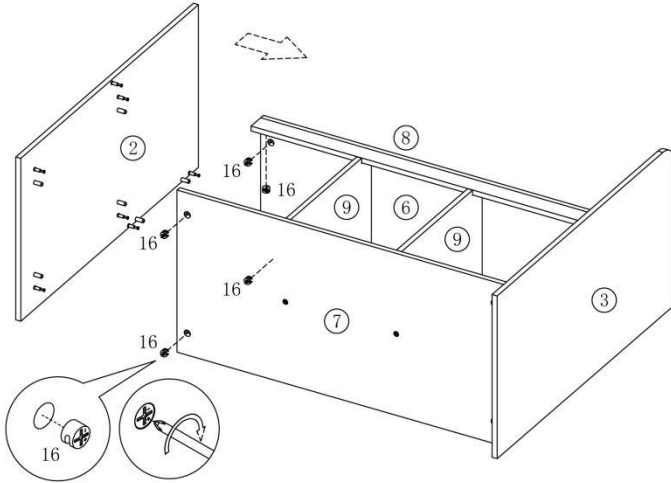
# STEP 7



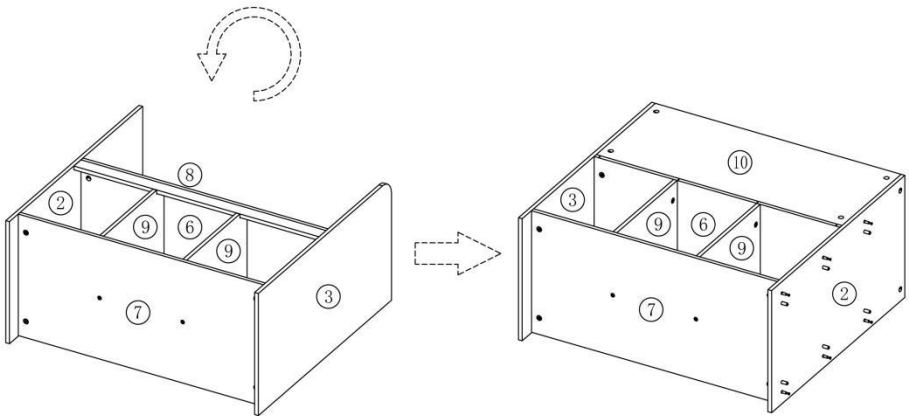
# STEP 8



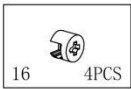
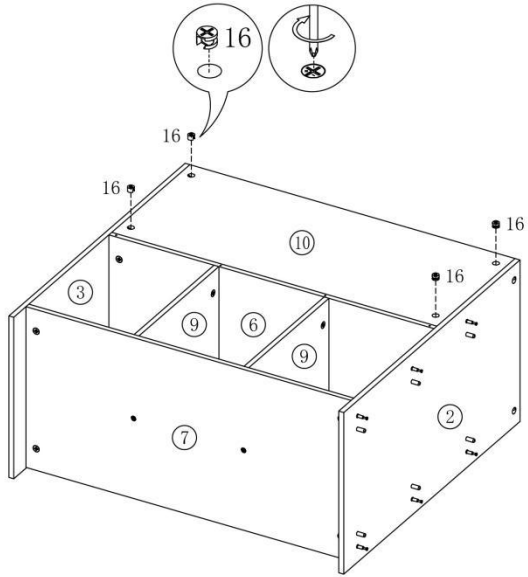
# STEP 9



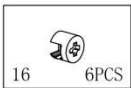
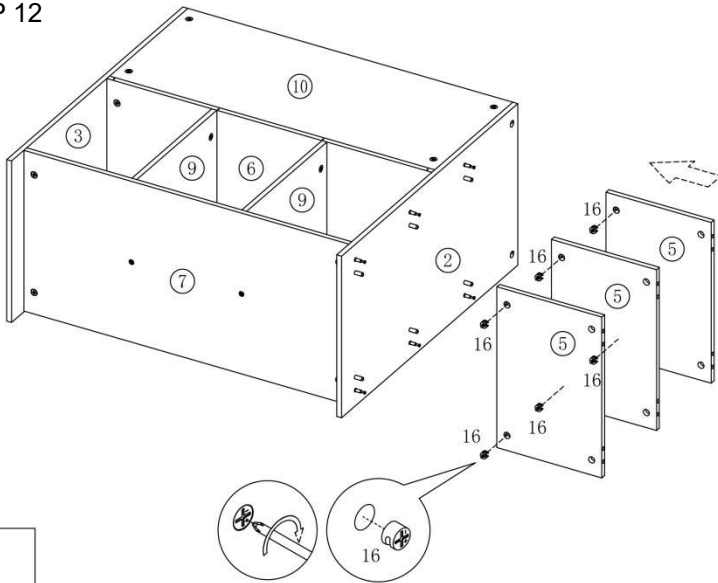
# STEP 10



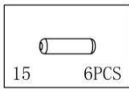
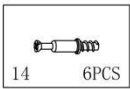
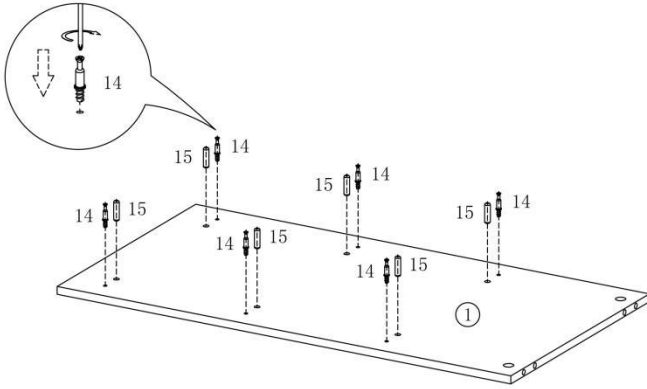
# STEP 11



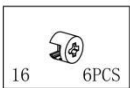
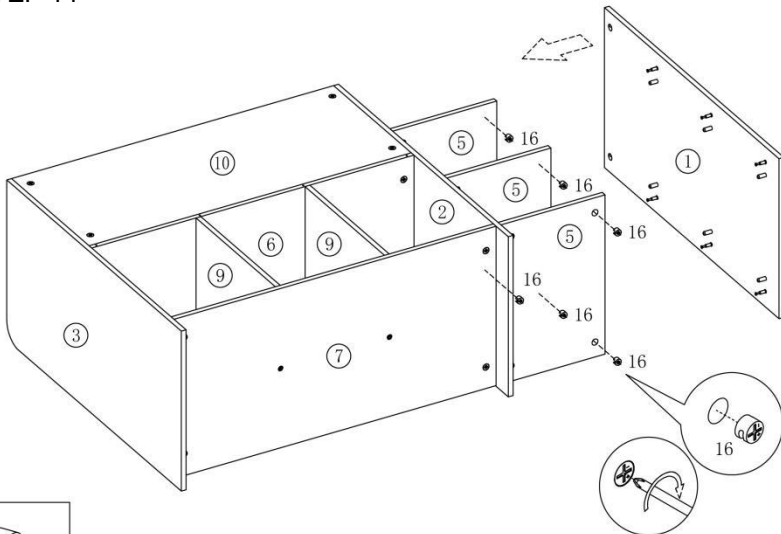
# STEP 12



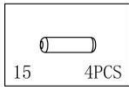
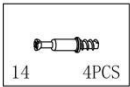
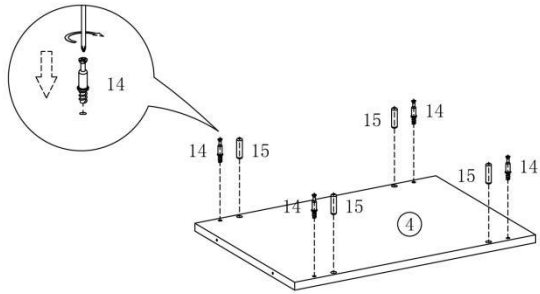
### STEP 13



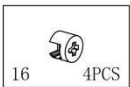
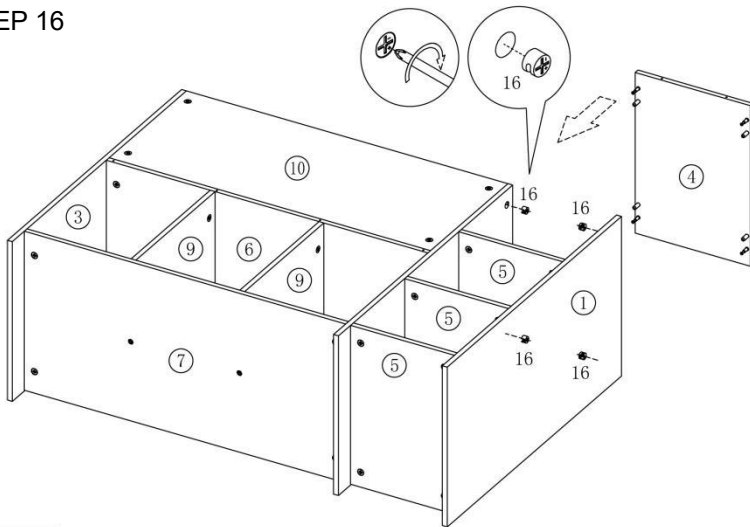
### STEP 14



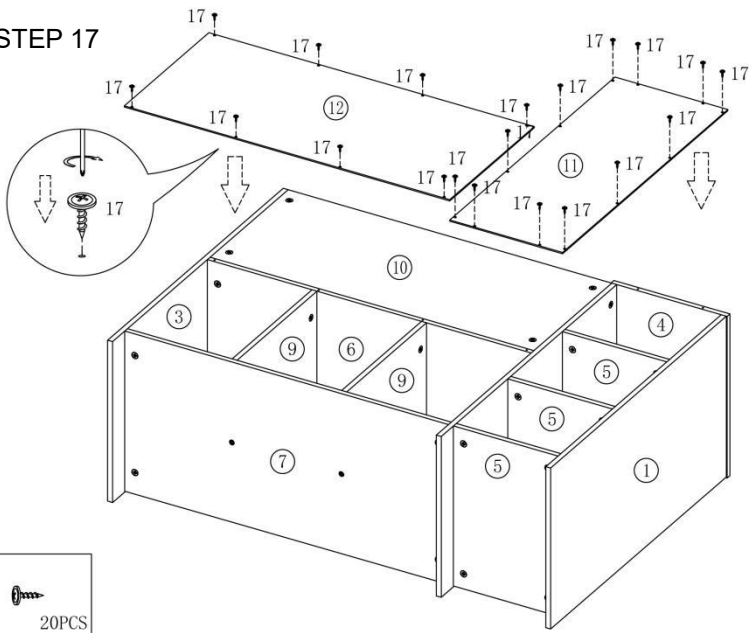
## STEP 15



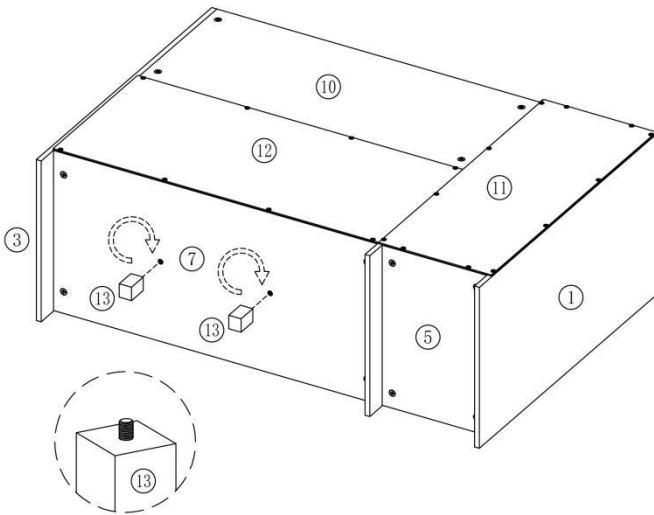
## STEP 16



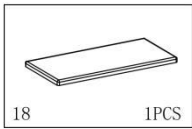
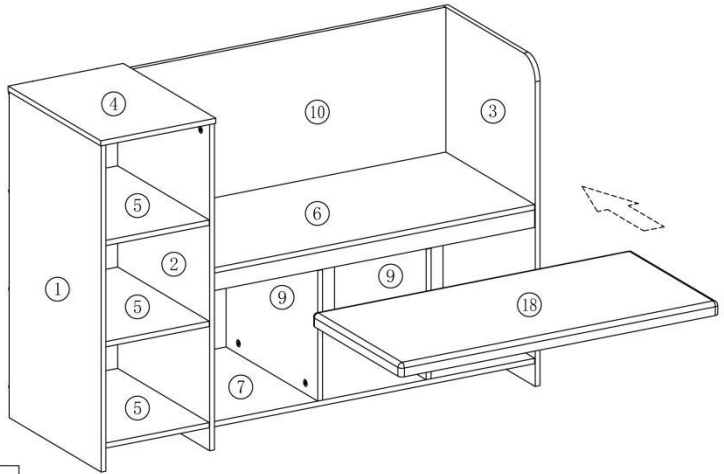
### STEP 17



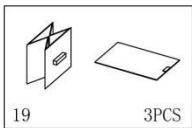
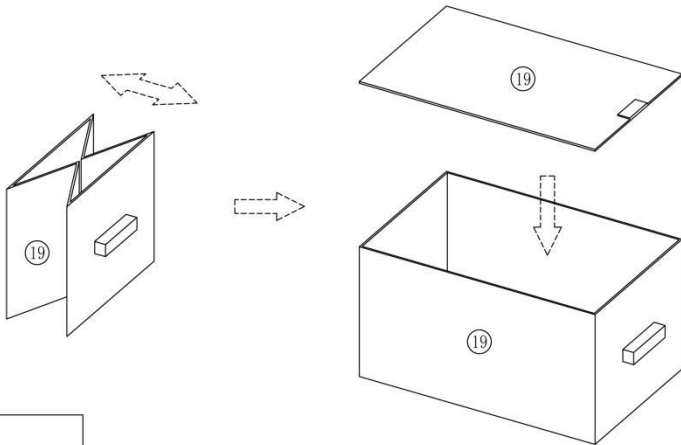
### STEP 18



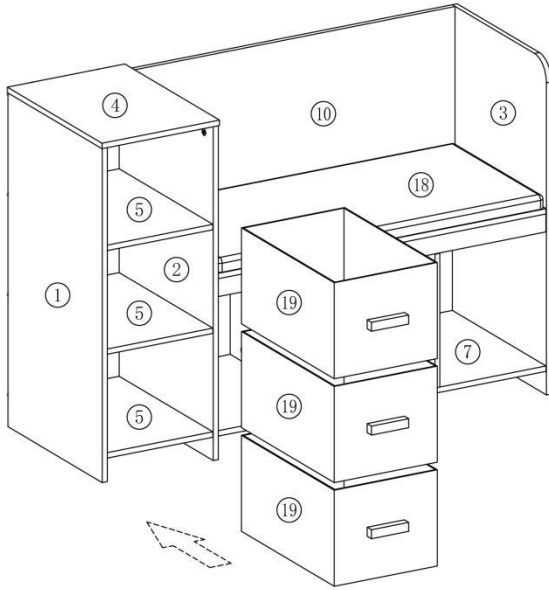
### STEP 19



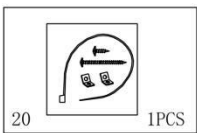
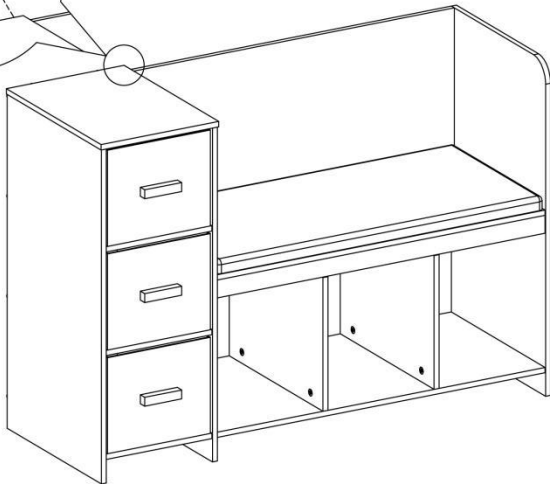
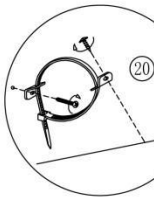
### STEP 20



STEP 21



STEP 22



## PRODUCT PARAMETER

Model	ETD01
Safe Loading Weight	Seat :80 pounds Storage cabinet :20 pounds
Product Size	1093*402*760mm
Colour	White