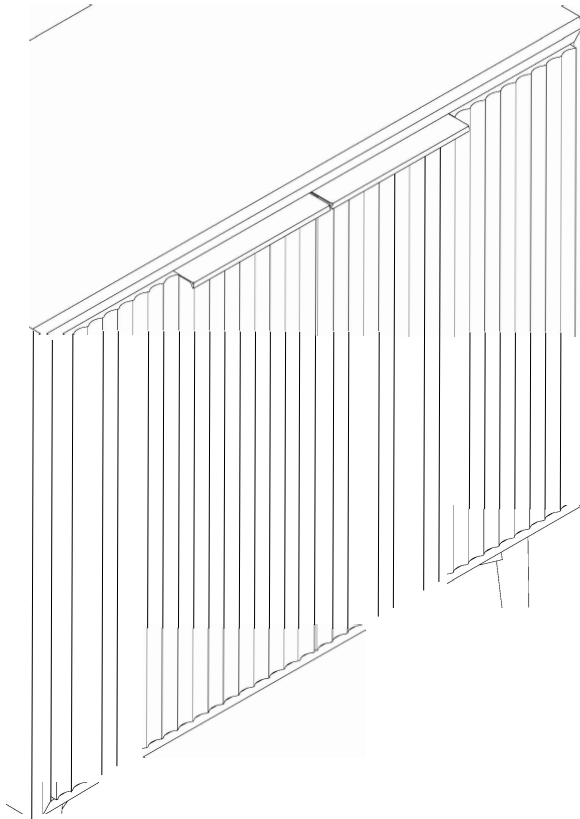


2 Door Sideboard BLACK / GREY

Instruction manual





SAFETY AND CARE ADVICE

PLEASE READ THESE INSTRUCTIONS CAREFULLY AND KEEP FOR FUTURE

- *Check you have all the components and tools listed on pages 2 or 3.*
- *Remove all fittings from the plastic bags and separate them into their groups.*
- *Keep children and animals away from the work area, small parts could choke if swallowed.*
- *Make sure you have enough space to layout the parts before starting.*
- *Do not stand or put weight on the product, this could cause damage.*
- *Assemble on a soft level surface to avoid damaging the unit or your floor (use opened out unit carton).*
- *We do not recommend the use of power drill/drivers for inserting screws, as this could damage the unit. Only use hand screwdrivers.*

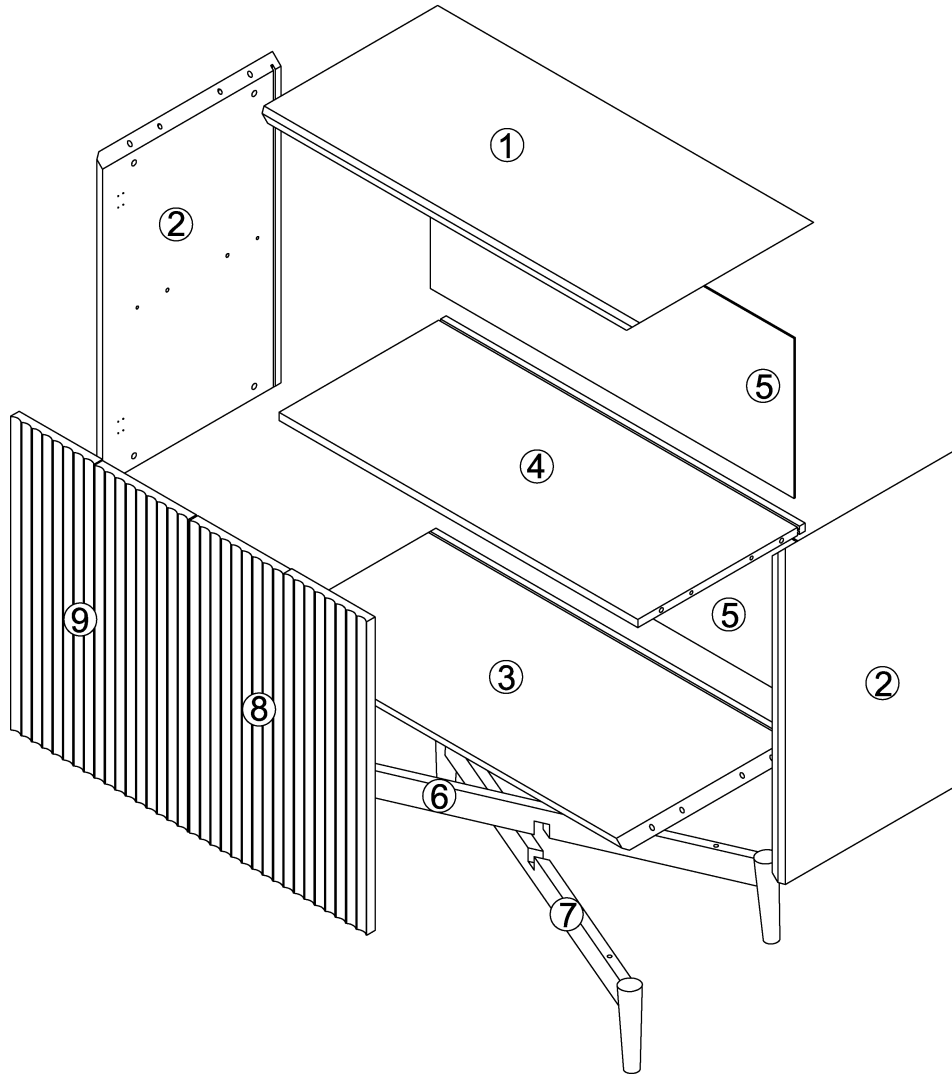


COMPONENTS — PANELS

Please check you have all the fittings listed below:



2 PERSON
ASSEMBLY
RECOMMENDED

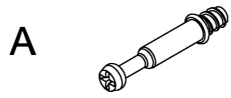


PANEL LIST

1	Top Panel	x1	6	Upper Base Frame	x1
2	Side Panel	x2	7	Lower Base Frame	x1
3	Bottom Panel	x1	8	Right Door	x1
4	Fixed Shelf	x1	9	Left Door	x1
5	Back Panel	x2			

COMPONENTS — FITTINGS

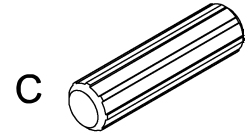
Please check you have all the fittings listed below:



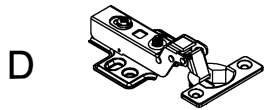
Peg M6*35mm x4



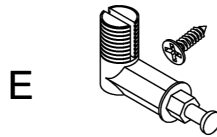
Lock x4



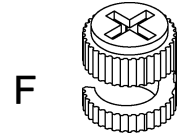
Dowel M6*30mm x12



Full Overlay Hinge x4



Peg M6*35mm x8



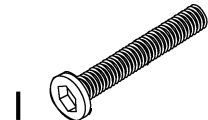
Lock x8



Back buckle x12



Screw M3*14mm x12



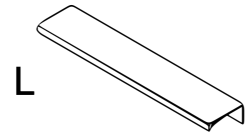
Bolt M6*50mm x4



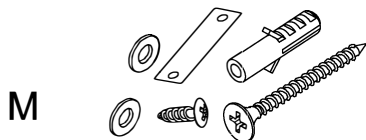
Screw M3.5*12mm x6



Screw M4*12mm x24



Handle x2



Anti-tipping assembly x2



Felt Mat x4



Allen Wrench x1

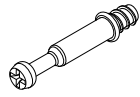

TOOLS NEEDED

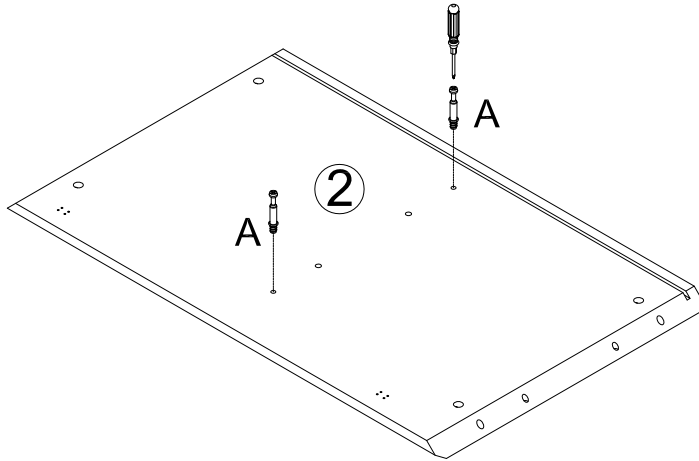


Phillips Screwdriver x1

ASSEMBLY INSTRUCTIONS

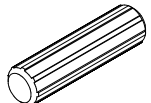


Step 1

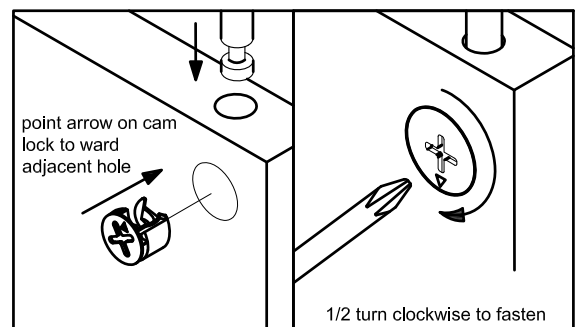
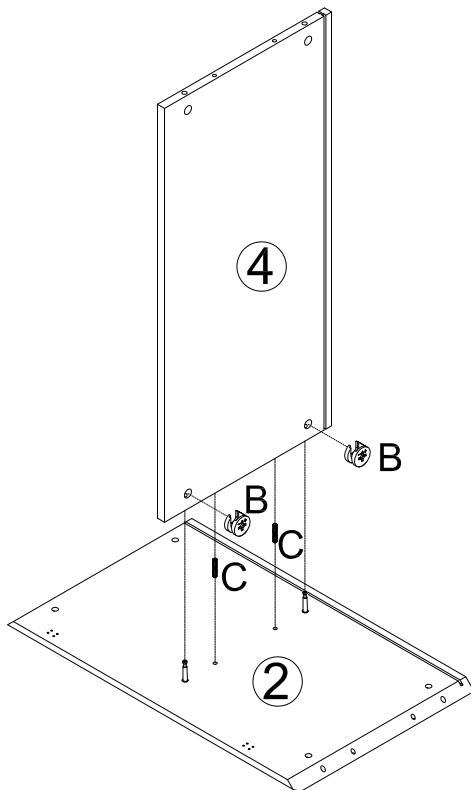
A		4	
---	-------------------------------------------------------------------------------------	---	-------------------------------------------------------------------------------------



x2

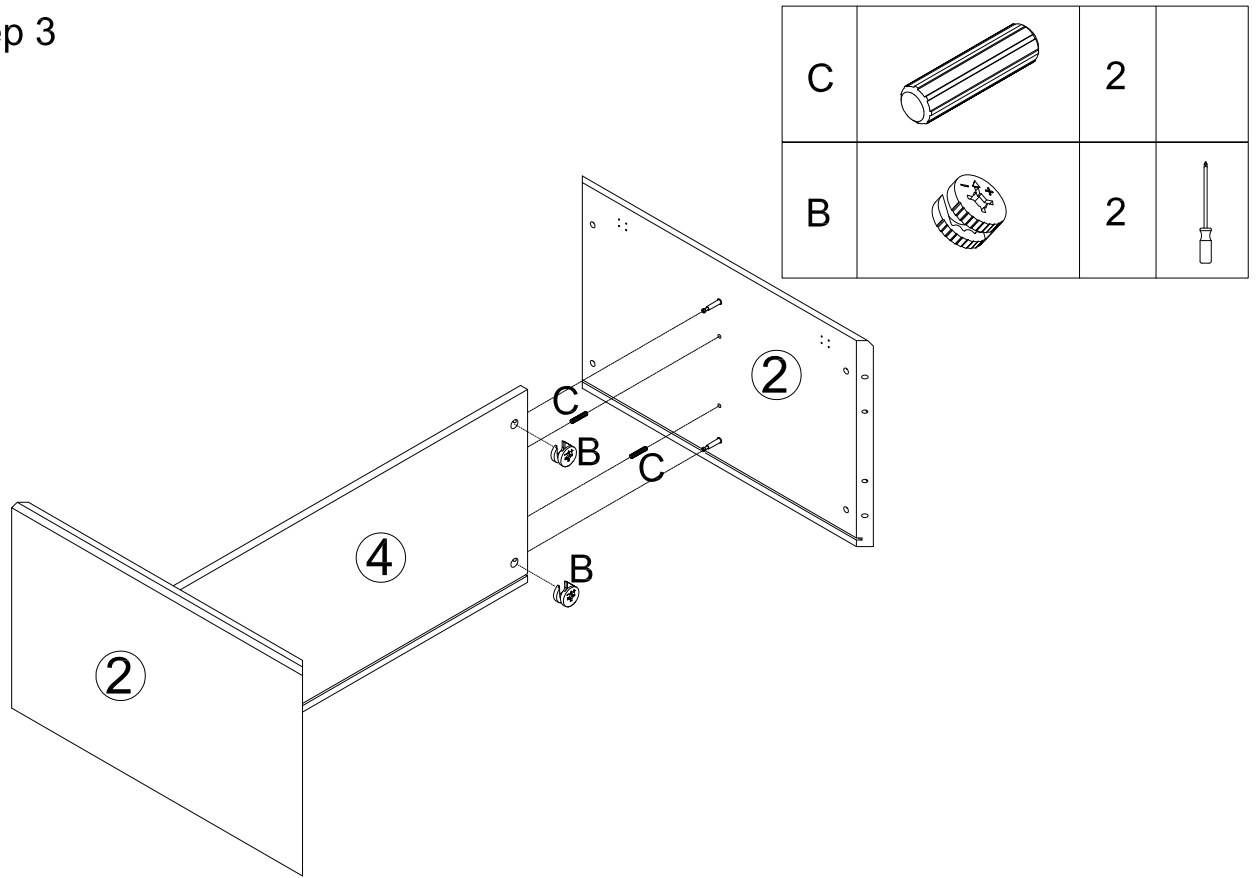
Step 2

C		2	
B		2	

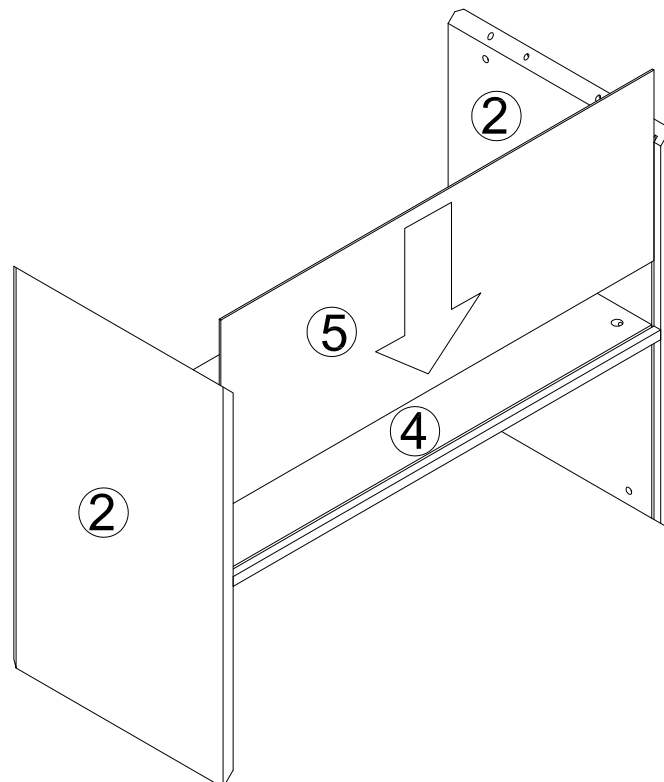


ASSEMBLY INSTRUCTIONS

Step 3





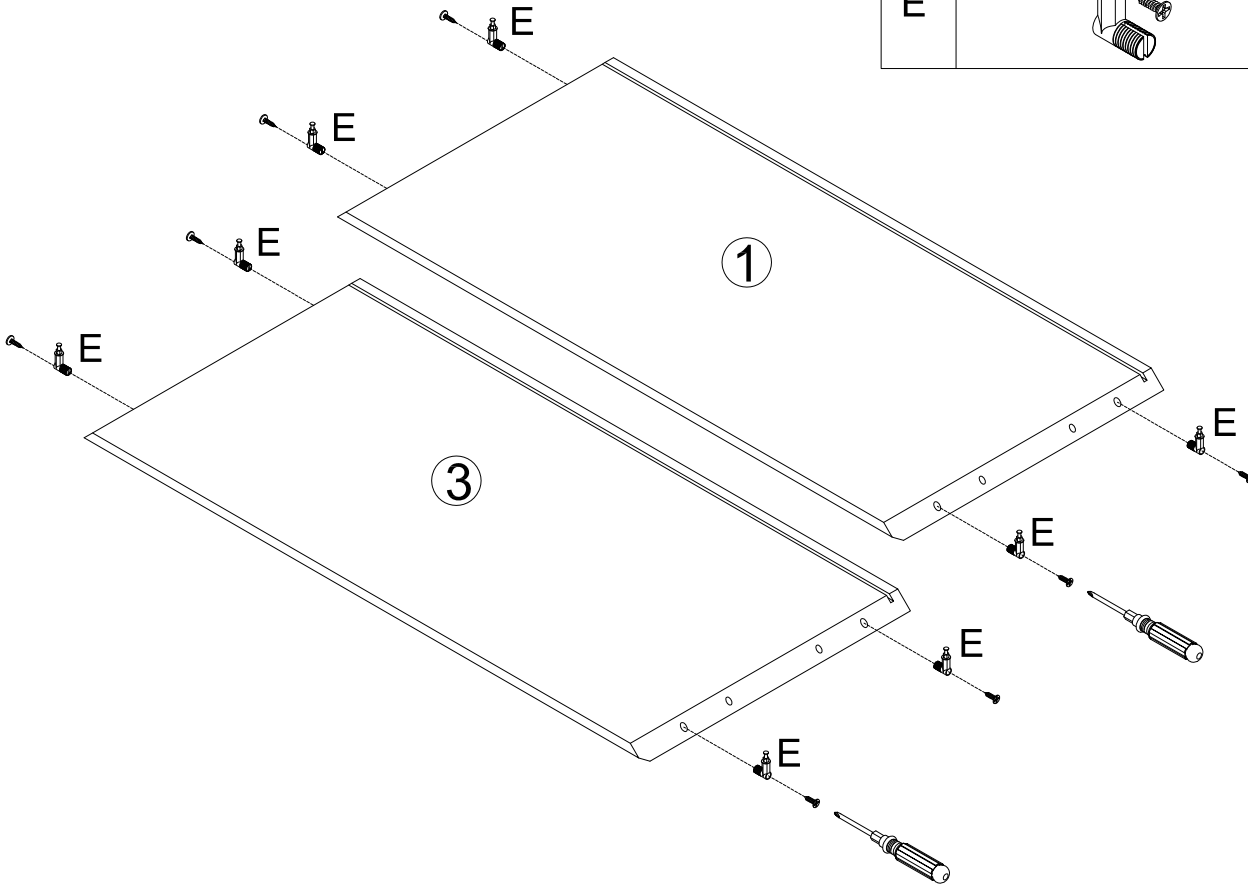
Step 4



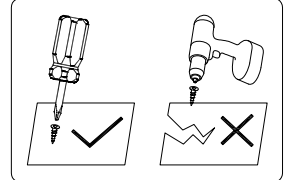
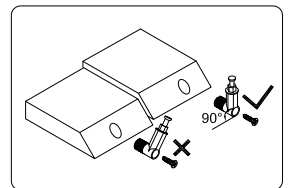
ASSEMBLY INSTRUCTIONS

Step 5

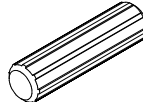
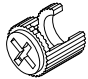

E		8	
---	-------------------------------------------------------------------------------------	---	-------------------------------------------------------------------------------------

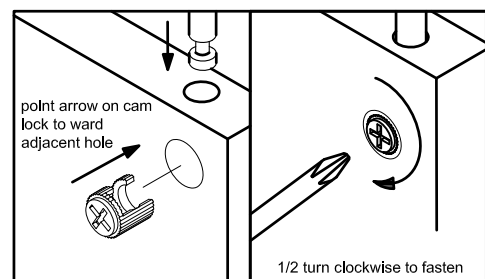
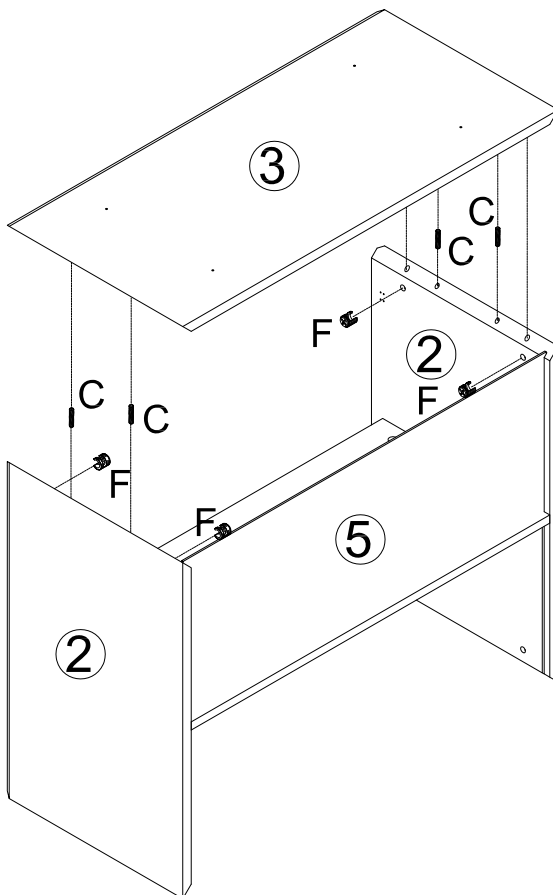


Warning:
Don't use power tools when screwing.
Ensure pegs straight when screwing.



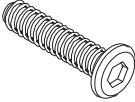

Step 6

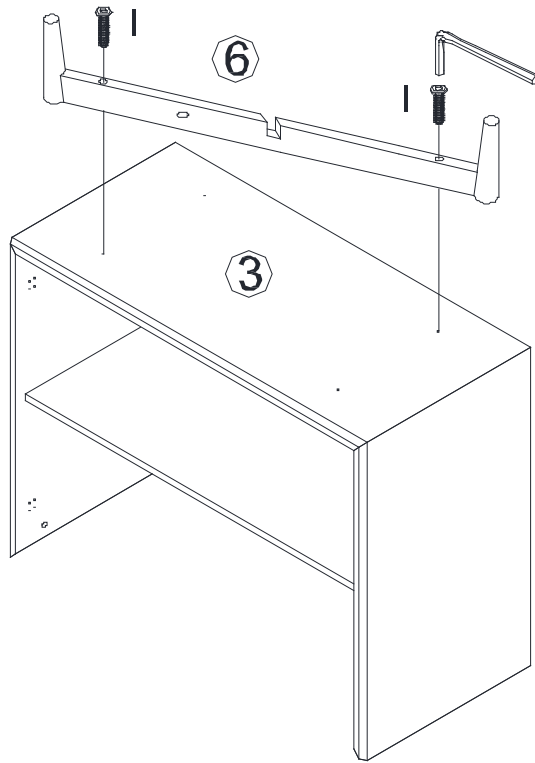
C		4	
F		4	



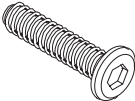


ASSEMBLY INSTRUCTIONS

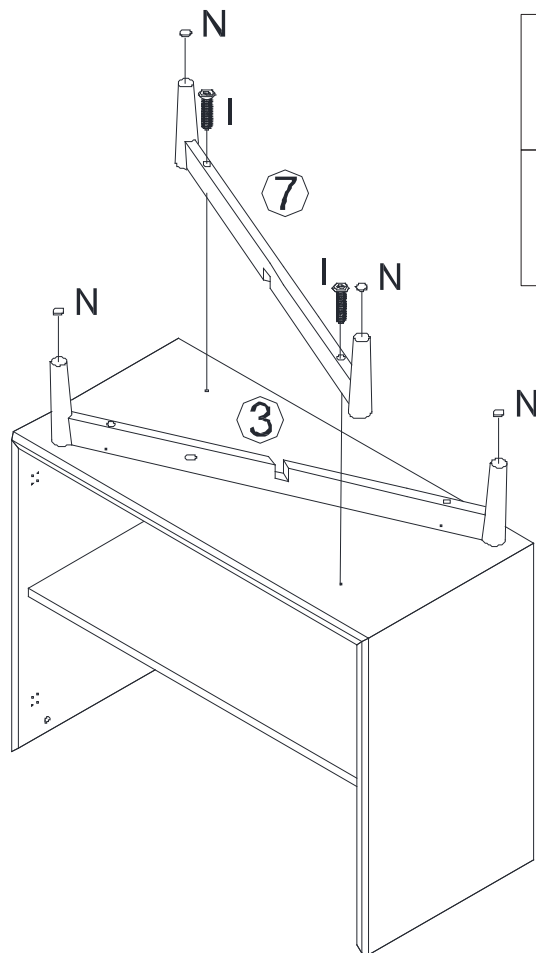
Step 7

I		2	
---	-------------------------------------------------------------------------------------	---	-------------------------------------------------------------------------------------



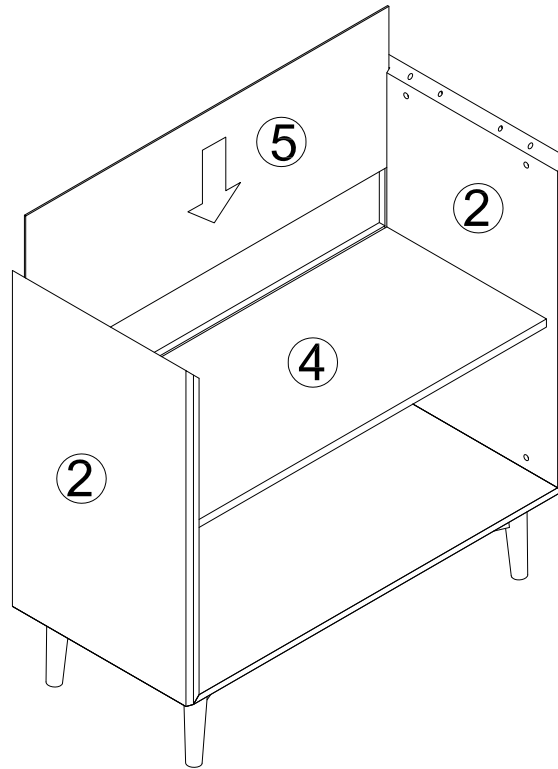
Step 8

I		2	
N		4	

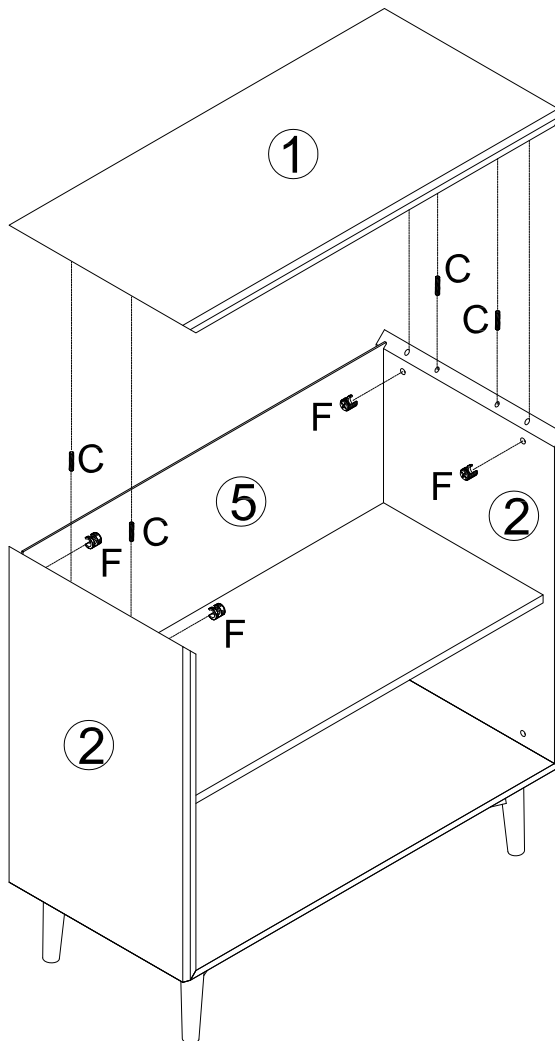


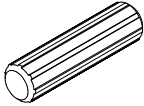
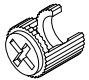

ASSEMBLY INSTRUCTIONS

Step 9



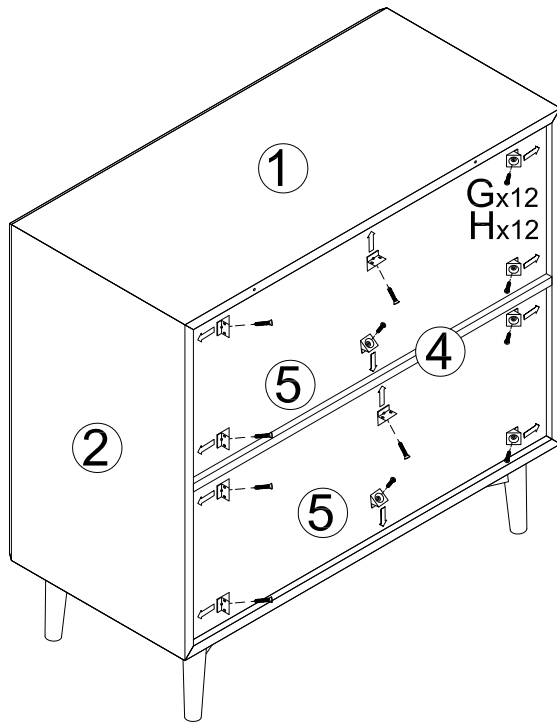
Step 10



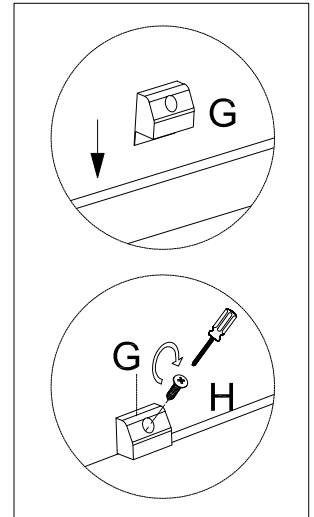
C		4	
F		4	

ASSEMBLY INSTRUCTIONS

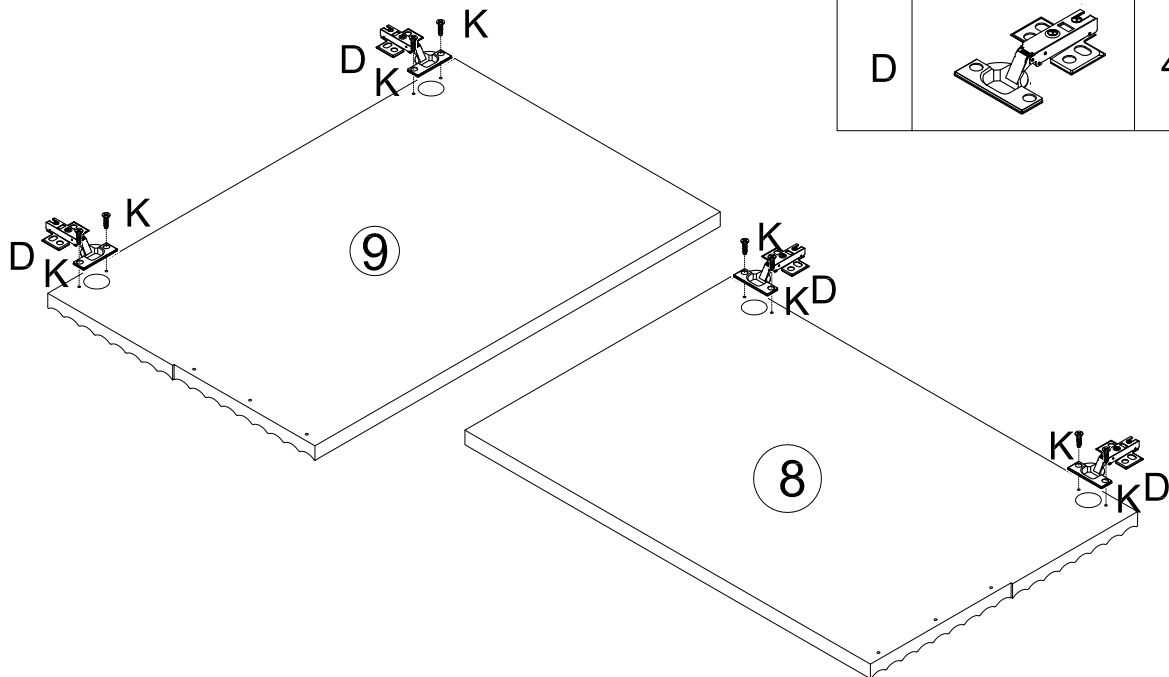
Step 11



G		12	
H		12	



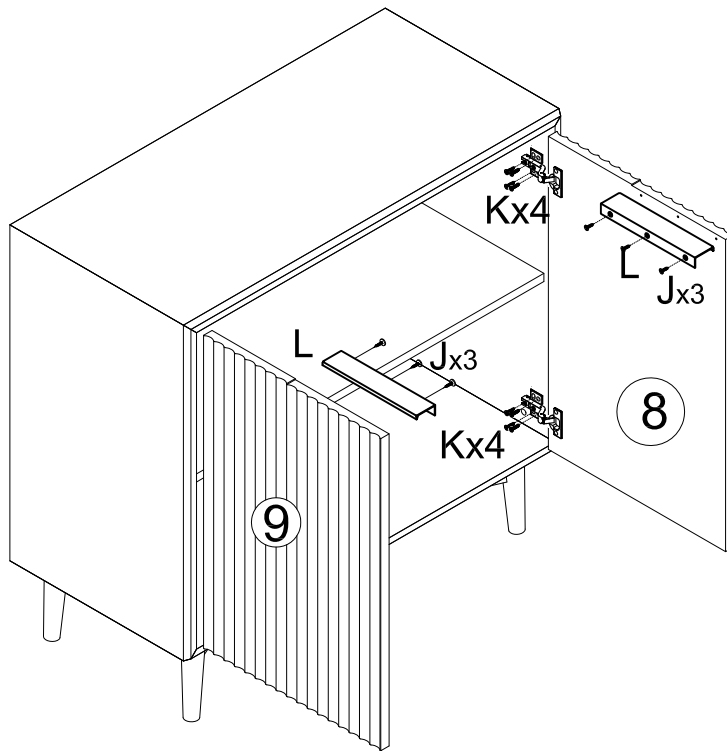
Step 12



K		8	
D		4	

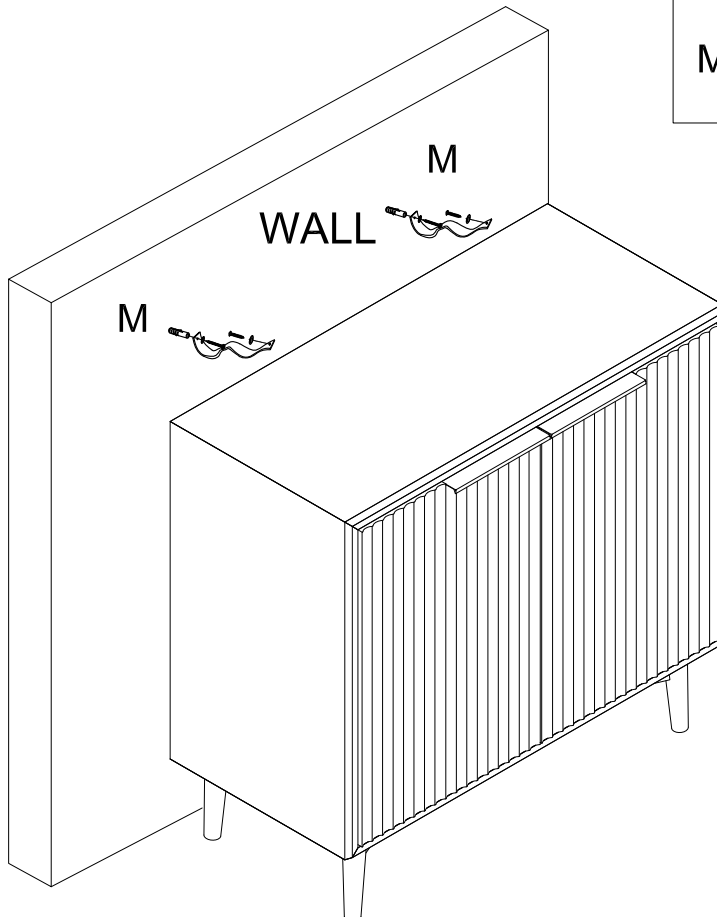
ASSEMBLY INSTRUCTIONS

Step 13



K		16	
L		2	
J		6	

Step 14



M		2	
---	--	---	--

Warning !

Wall Plug and screws are not provided.
If you are in any doubt about the correct fixings for your wall,
seek professional advice.

ASSEMBLY INSTRUCTIONS

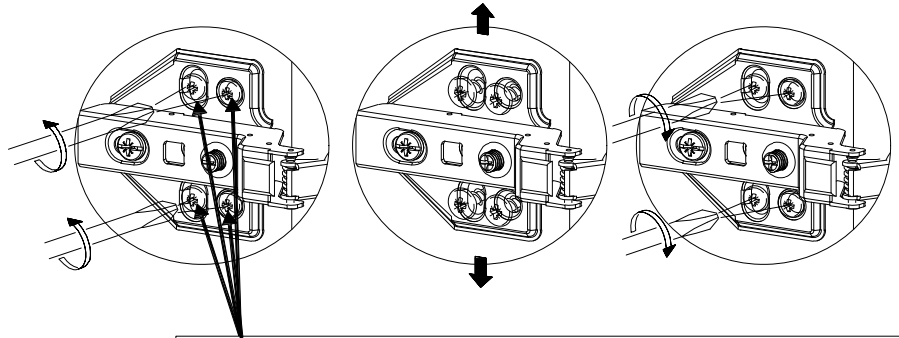
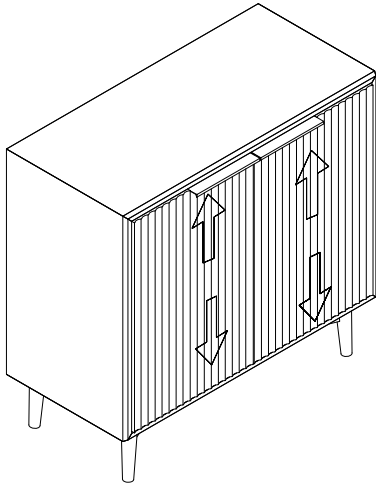
Step 15



Customer Attention:

To align doors and control gap in between doors. Product doors may need adjusting during and after assembly.

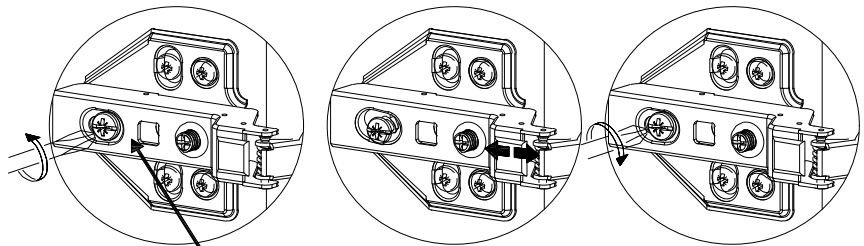
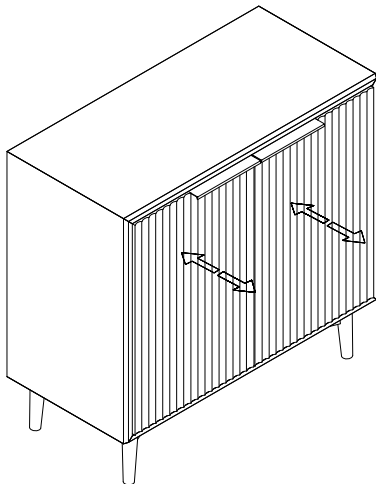
This can be done by adjusting appropriate screws. See below illustration.



Vertical Door Adjustment:

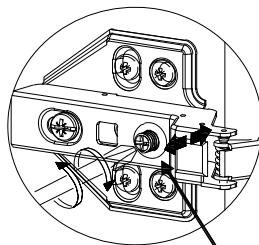
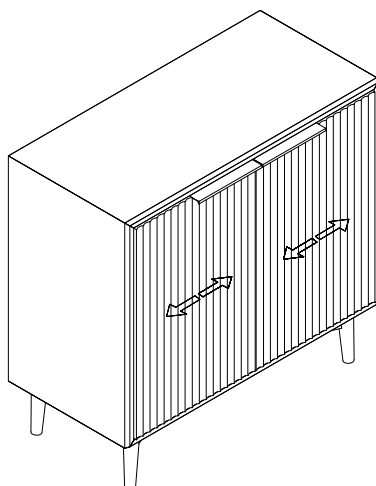
Loosen both screws on all hinges and lift the door to the desired height.

This allows an even space at the top and bottom between the door and frame.



Lateral Door Adjustment:

If door is hinge bound, (rubbing on frame as you close or open door) loosening screw shown and move the door in appropriate direction. (In or out)

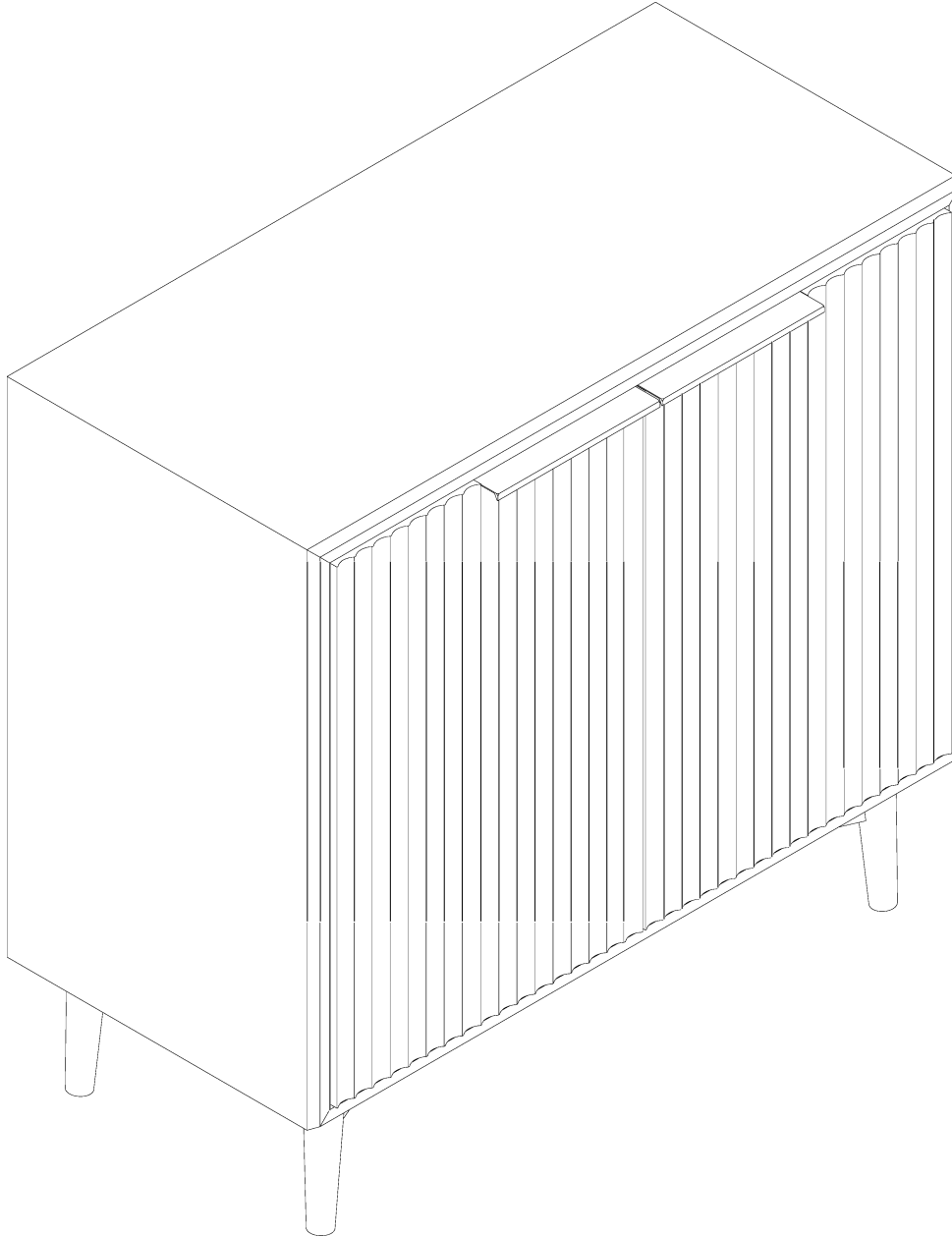


Horizontal Door Adjustment:

Rotate Screw clockwise or anticlockwise.

This will produce an even gap between doors and frame.

ASSEMBLY INSTRUCTIONS



Congratulations.
Now you have finished assembling the product.

A Guide to - Wall Mounting & Fixings

Important note:

If plastic wall plugs are supplied with your product:



- these are only suitable for use in masonry walls.

If you are in any doubt about the correct wall plugs for your wall, seek professional advice.

Failure of the product due to using incorrect fixings is the responsibility of the installer.



Important: When drilling into walls always check that there are no hidden wires or pipes etc.

Make sure that the screws and wall plugs being used are suitable for supporting your unit. Consult a qualified person if you are unsure.

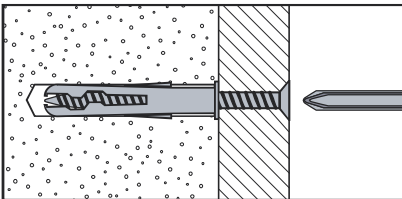
Hints:

- 1: **General rule:** ⚠ Always use a larger screw and wall plug if you are not sure.
- 2: Ensure you use the recommended drill bit to match the wall plug and hole size.
- 3: Ensure you drill the hole horizontally, do not force the drill or enlarge the hole.
- 4: Take extra care when drilling high walls, ceilings and ceramic tiles. Ensure wall plugs are inserted beyond the thickness of the ceramic tiles to avoid the tiles splitting or cracking.
- 5: Ensure wall plugs are well fitted and are a tight fit in the drilled hole.

Types of walls

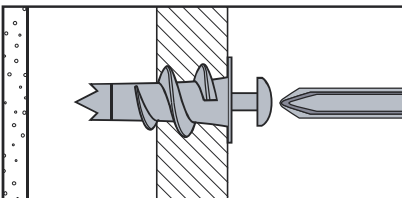
You can use one of the following types of wall plug if your walls are made of brick, breeze block, concrete, stone or wood.

No.1 "General Purpose" wall plug



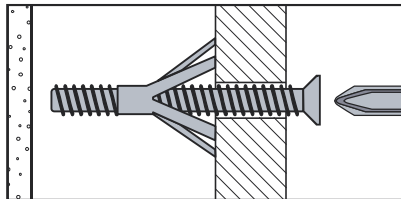
Generally aerated blocks should not be used to support heavy loads, use a specialist fitting in this case. For light loads, general purpose wall plugs can be used.

No.2 "Plasterboard" wall plug



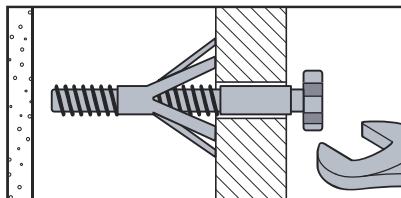
For use when attaching light loads on to plasterboard partitions.

No.3 "Cavity Fixing" wall plug



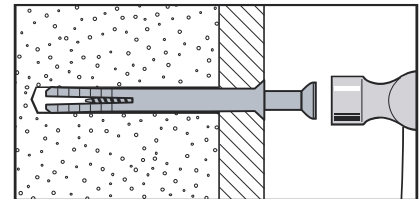
For use with plasterboard partitions or hollow wooden doors.

No.4 "Cavity Fixing-Heavy Duty" wall plug



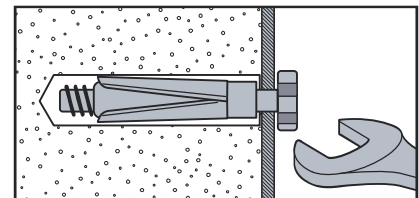
For use when fitting or supporting heavy loads such as shelving, wall cabinets and coat racks.

No.5 "Hammer Fixing" wall plug



For use with walls stuck with plasterboard. The hammer fixing allows it to be fixed to the wall rather than the plasterboard. Always check the fixing is secure to the retaining wall.

No.6 "Shield Anchor" wall plug Heavy loads



For use with heavier loads such as TV & HiFi speakers and satellite dishes etc.



Care & Maintenance

Safety: Always check the fitting and location to ensure your safety in and around the home.

Fitting: From time to time check the fitting to ensure the wall plugs or screws do not become loose.