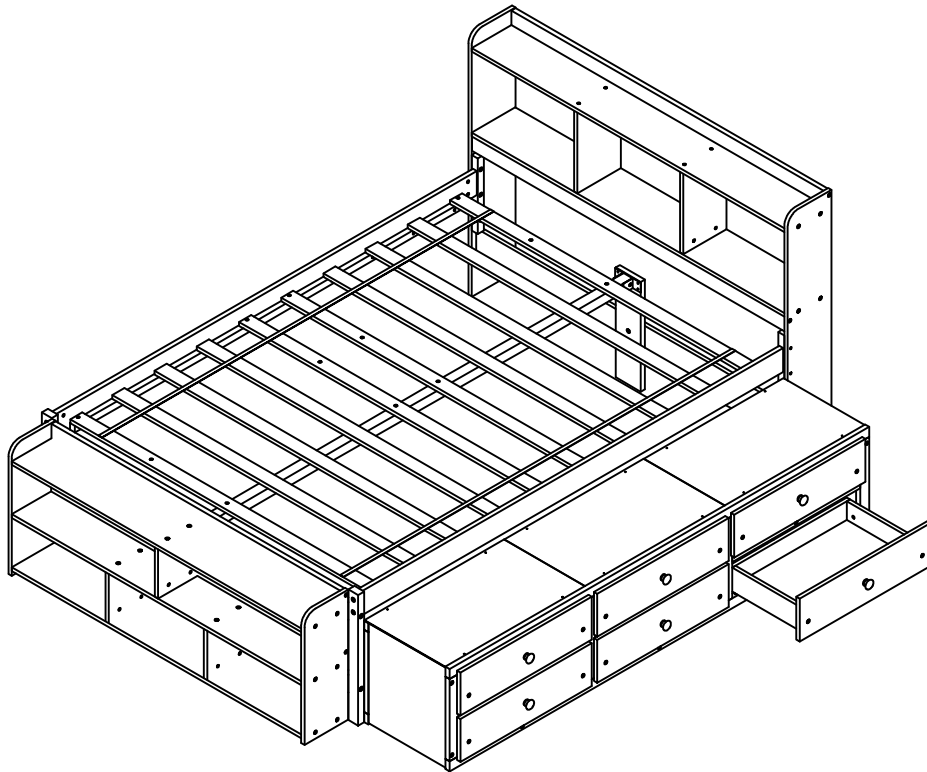
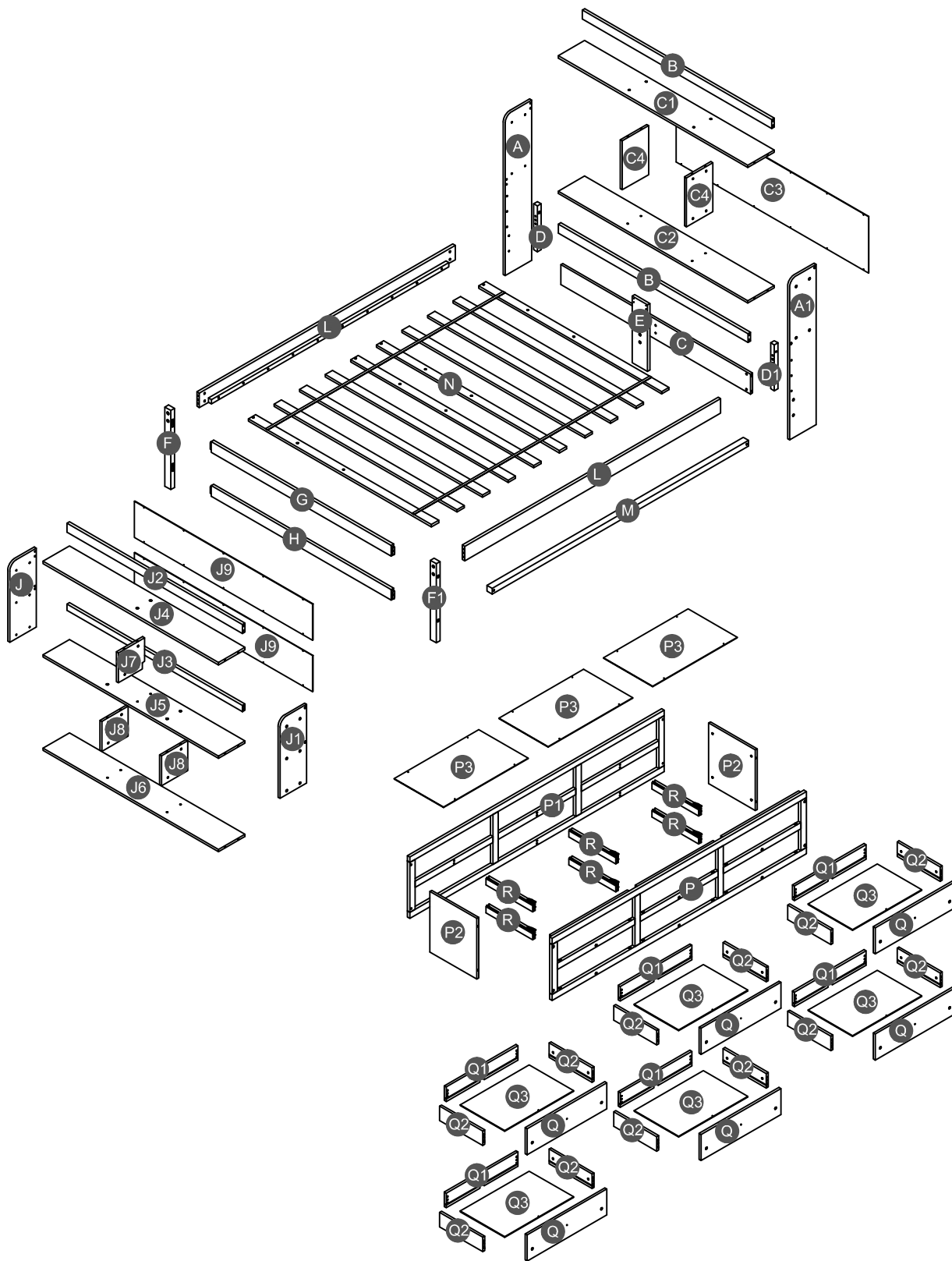


# ASSEMBLY INSTRUCTIONS

## FULL BED WITH 6 DRAWERS, SHELF, AND CASE

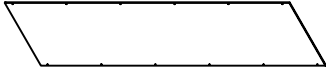


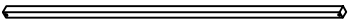
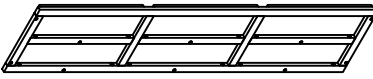

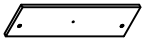

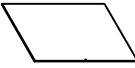


# Detail View

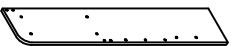
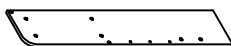
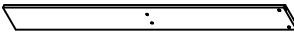
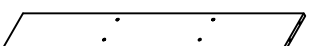
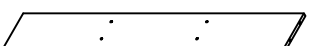
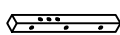
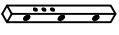
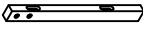


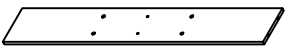
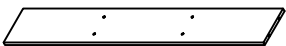
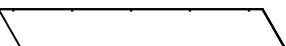
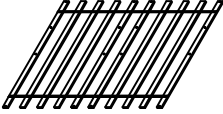


# Part List

(1-3)

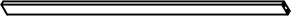





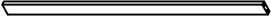
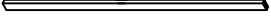


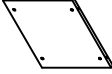
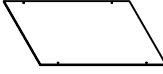


<p><b>C3</b></p>  <p>Back panel - 1pc</p>	<p><b>E</b></p>  <p>Vertical bar HB - 1pc</p>	<p><b>L</b></p>  <p>Side rail - 2pcs</p>
<p><b>M</b></p>  <p>Lower support slat - 1pc</p>	<p><b>P</b></p>  <p>Frame front - 1pc</p>	<p><b>P1</b></p>  <p>Frame back - 1pc</p>
<p><b>Q</b></p>  <p>Front drawer panel - 6pcs</p>	<p><b>Q1</b></p>  <p>Back drawer panel - 6pcs</p>	<p><b>Q3</b></p>  <p>Drawer bottom - 6pcs</p>

(2-3)


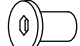
<p><b>A</b></p>  <p>Side panel (left) - 1pc</p>	<p><b>A1</b></p>  <p>Side panel (right) - 1pc</p>	<p><b>C</b></p>  <p>Lower horizontal bar HB - 1pc</p>
<p><b>C1</b></p>  <p>Top panel - 1pc</p>	<p><b>C2</b></p>  <p>Shelf panel - 1pc</p>	<p><b>D</b></p>  <p>Vertical bar HB (left) - 1pc</p>
<p><b>D1</b></p>  <p>Vertical bar HB (right) - 1pc</p>	<p><b>F</b></p>  <p>Leg FB (left) - 1pc</p>	<p><b>F1</b></p>  <p>Leg FB (right) - 1pc</p>
<p><b>J4</b></p>  <p>Top panel - 1pc</p>	<p><b>J5</b></p>  <p>Shelf panel - 1pc</p>	<p><b>J6</b></p>  <p>Bottom panel - 1pc</p>
<p><b>J9</b></p>  <p>Back panel - 2pcs</p>	<p><b>N</b></p>  <p>Slats - (1Set = 10pcs)</p>	

# Part List

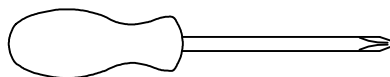
## (3-3) - Hardware inside

<b>B</b>  Horizontal bar HB - 2pcs	<b>C4</b>  Divider panel - 2pcs	<b>G</b>  Upper horizontal bar FB - 1pc
<b>H</b>  Lower horizontal bar FB - 1pc	<b>J</b>  Side panel (left) - 1pc	<b>J1</b>  Side panel (right) - 1pc
<b>J2</b>  Upper horizontal bar - 1pc	<b>J3</b>  Lower horizontal bar - 1pc	<b>J7</b>  Upper divider panel - 1pc
<b>J8</b>  Lower divider panel - 2pcs	<b>P2</b>  Side panel (left/right) - 2pcs	<b>P3</b>  Top panel - 3pcs
<b>Q2</b>  Left / right drawer panel - 12pcs	<b>R</b>  Support drawer - 6pcs	

## Hardware List (3-3)

<b>1</b>  Ø8*30mm Wood dowel (60pcs)	<b>2</b>  Ø10*20mm Wood dowel (1pc)	<b>3</b>  (Ø15)1/4"*80mm Hex-Head bolts (12pcs)
<b>4</b>  (Ø12)1/4"*60mm Hex-Head bolts (96pcs)	<b>5</b>  (Ø12)1/4"*40mm Hex-Head bolts (8pcs)	<b>6</b>  (Ø12)1/4"*30mm Hex-Head bolts (2pcs)
<b>7</b>  1/4"*15 (9.5mm) Horizontal-Hole bolts(108pcs)	<b>8</b>  Ø38*31mm Pine Knob (6pcs)	<b>9</b>  3/16"*25mm Ph zinc(Knob) (6pcs)
<b>10</b>  340*30mm Upper slider drawer (6pcs)	<b>11</b>  Ø4*30mm Wood screws (12pcs)	<b>12</b>  Ø3.5*15mm Wood screws (34pcs)
<b>13</b>  Ø3.5*15mm Wood screws (44pcs)	<b>14</b>  116*40*27mm Metal bracket (2pcs)	<b>15</b>  (Ø13)1/4"*14mm Connect bolt (2pcs)
<b>16</b>  (1/4")4.5*58mm Allen key (2pcs)	<b>17</b>  40*17*17*1.6mm Metal bracket (2pcs)	<b>18</b>  150*19*19 mm Lower support (1pc)

### ASSEMBLY TOOLS REQUIRED ( NOT INCLUDED )



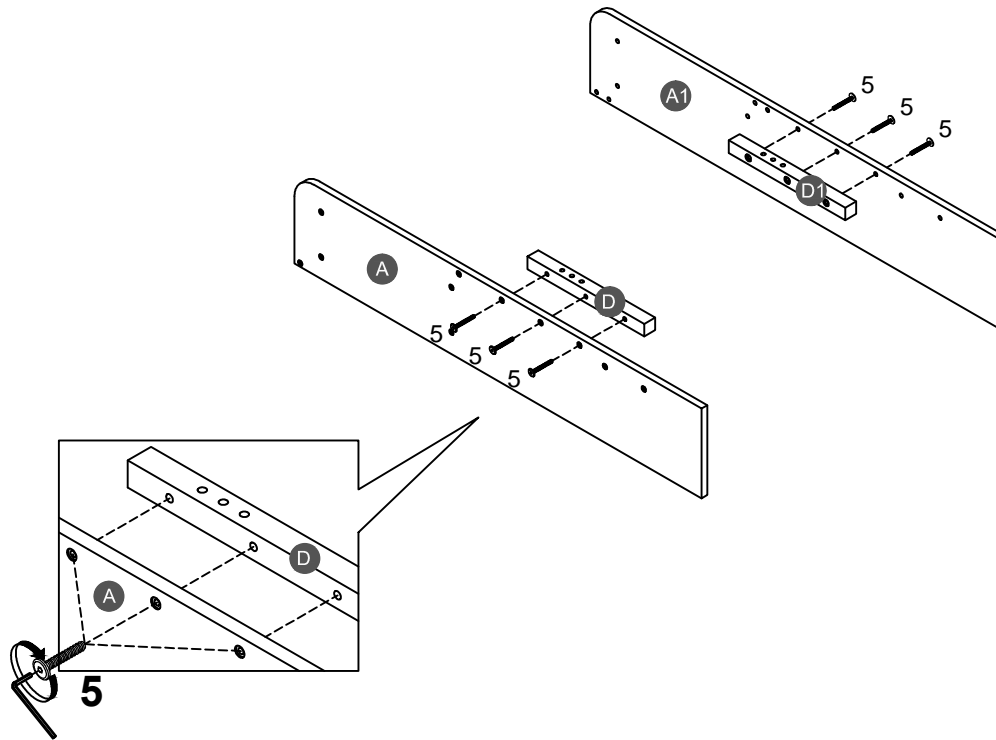
PLEASE BE CAREFUL DO NOT DAMAGE THE HOLE POSITION WHEN YOU USE POWER TOOLS !

**STEP 1:**

5



6PCS



**STEP 2:**

4

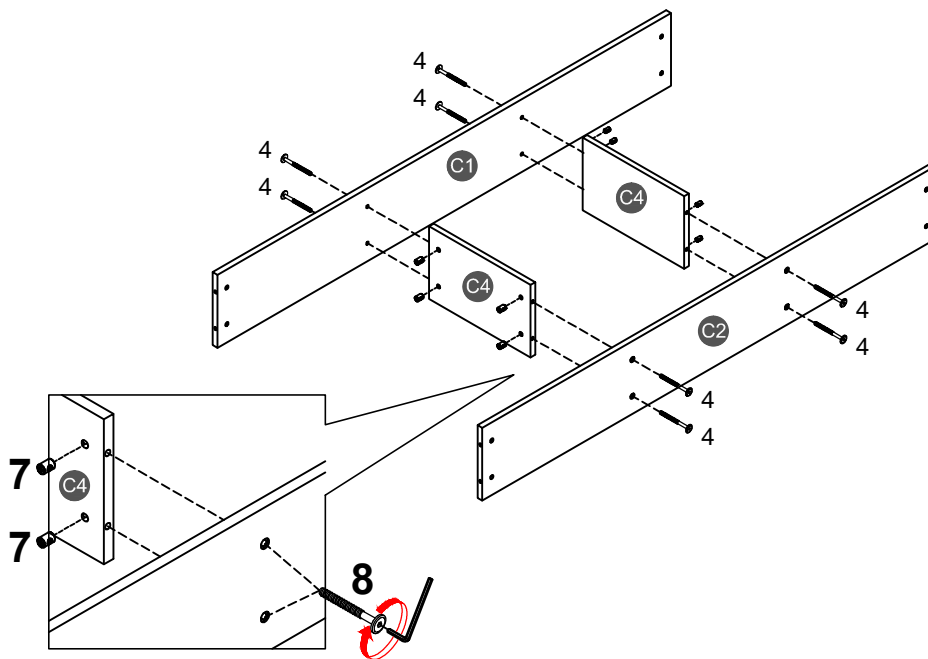


8PCS

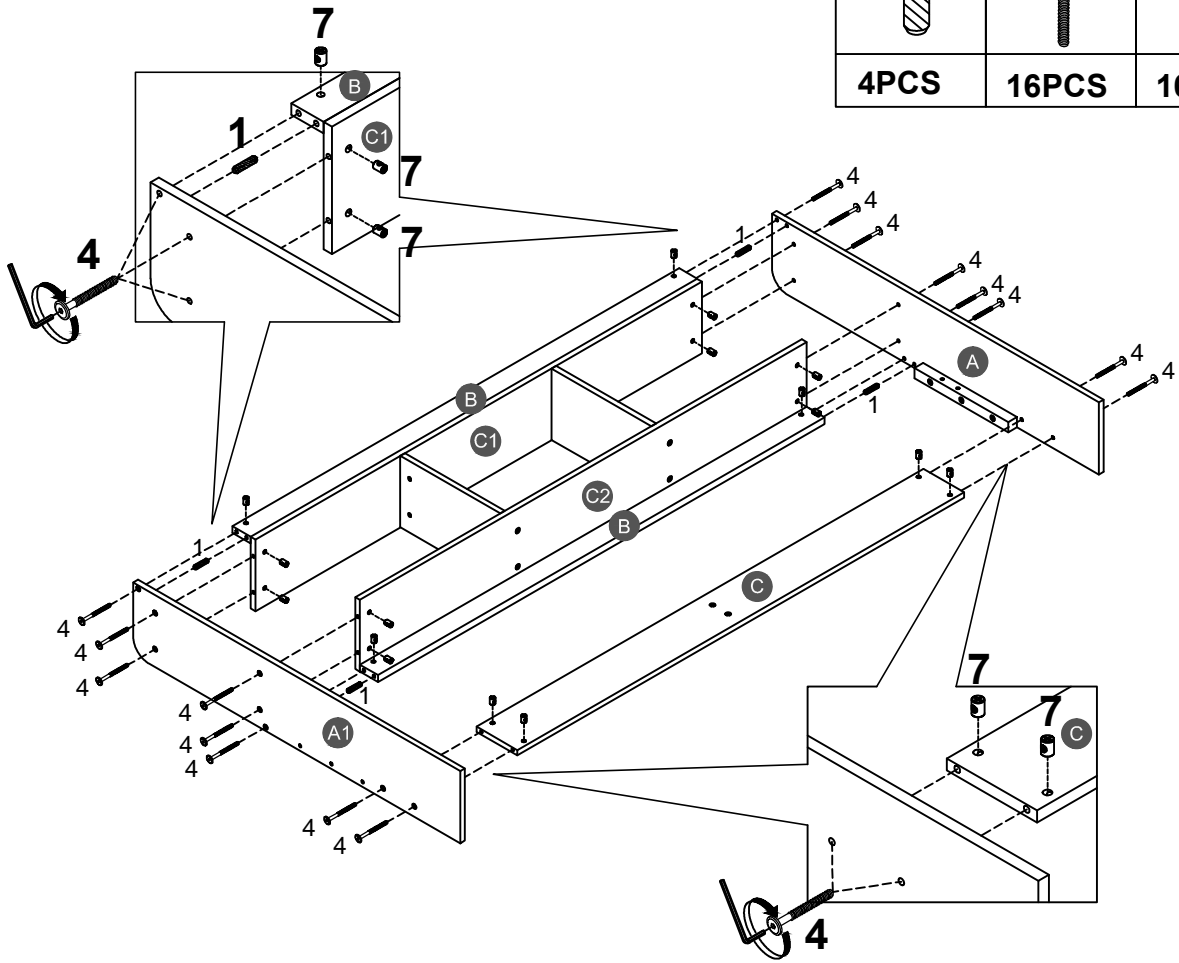
7






8PCS

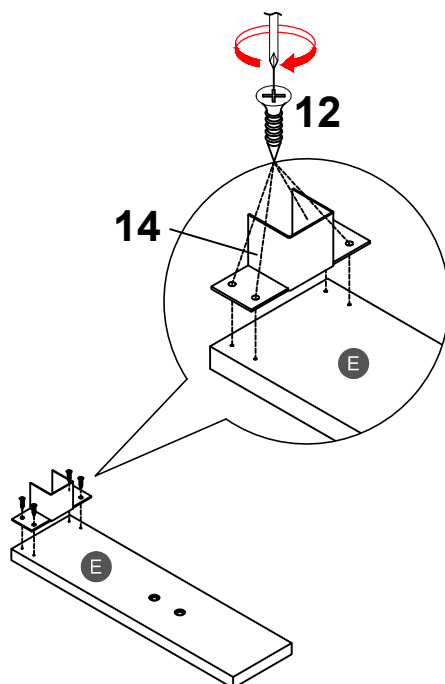



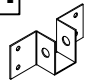
**STEP 3:**



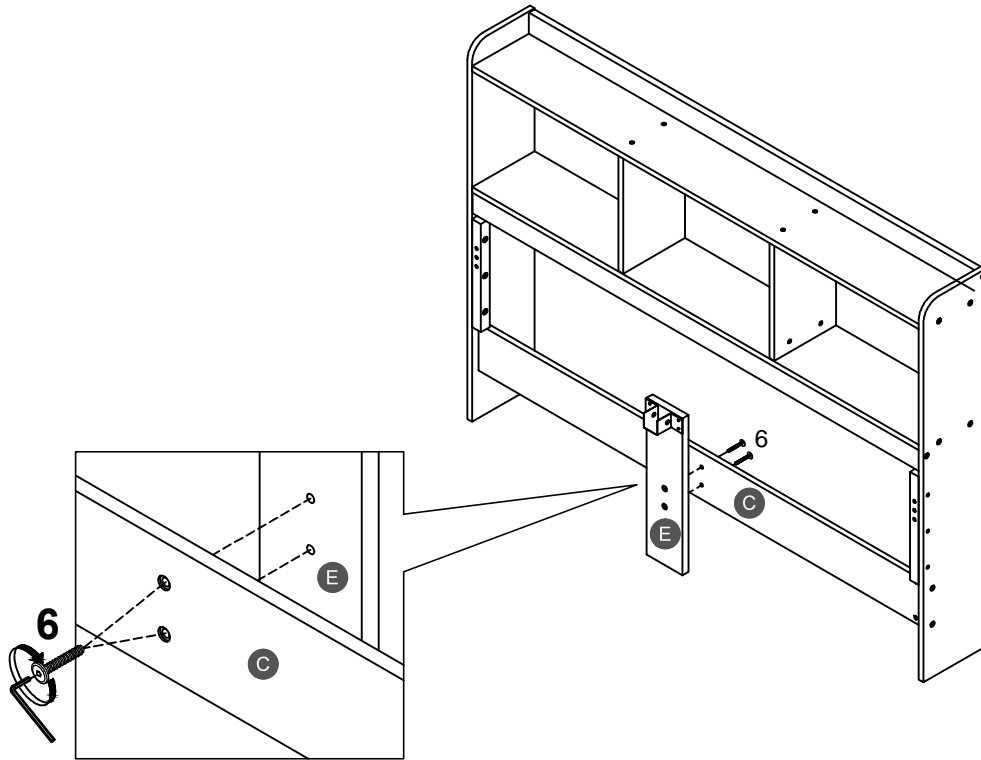
<b>1</b>		<b>4</b>		<b>7</b>	
<b>4PCS</b>		<b>16PCS</b>		<b>16PCS</b>	


**STEP 4:**



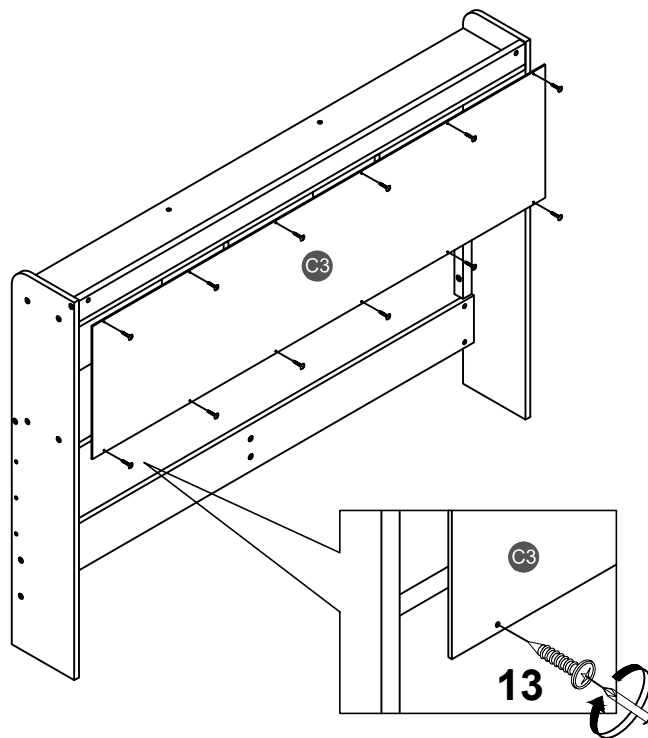
<b>12</b>		<b>14</b>	
<b>4PCS</b>		<b>1PC</b>	


**STEP 5:**






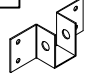
**6**  
  
**2PCS**

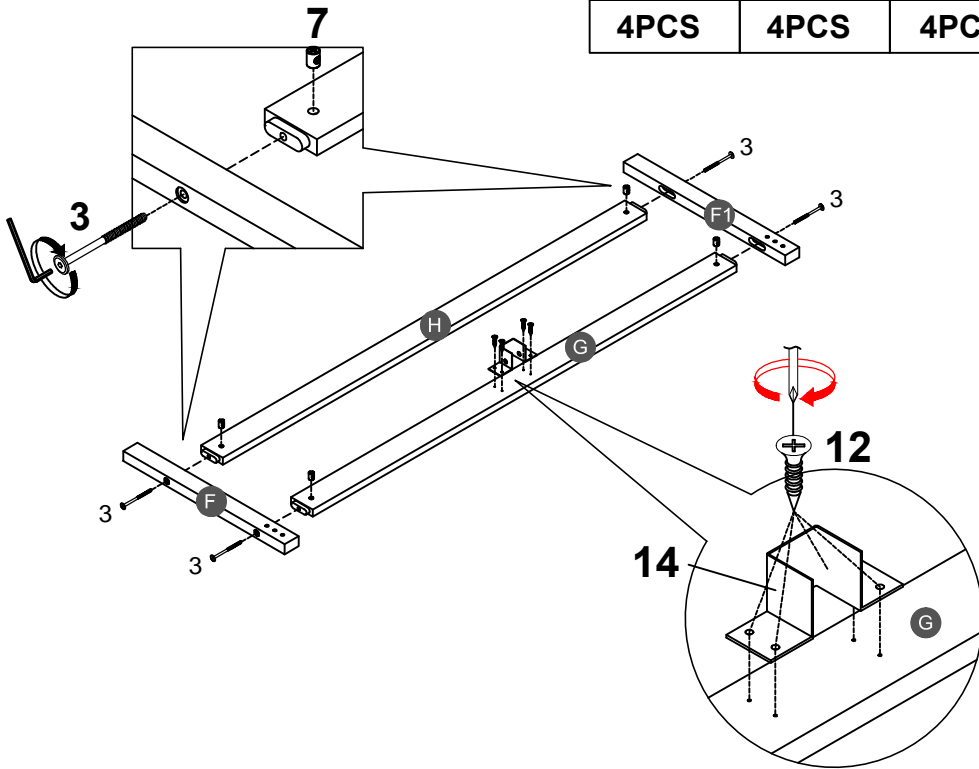
**STEP 6:**






**13**  
  
**12PCS**

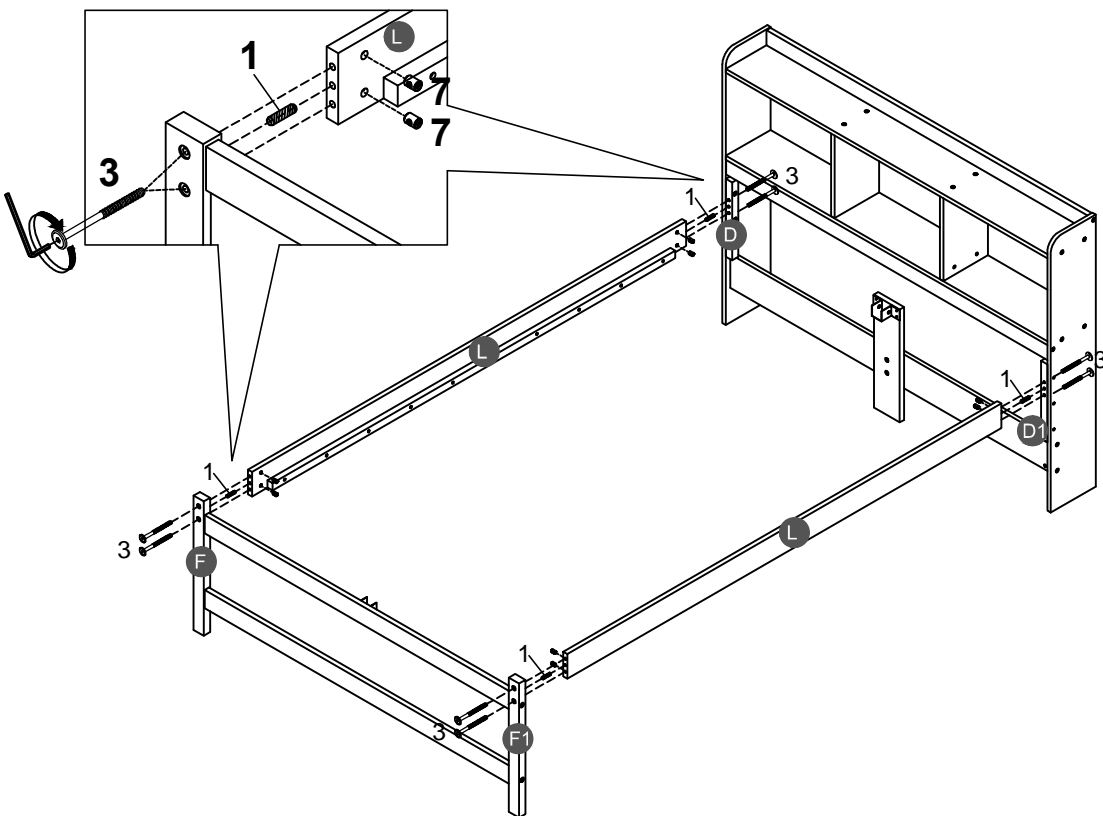
**STEP 7:**

<b>3</b> 	<b>7</b> 	<b>12</b> 	<b>14</b> 
<b>4PCS</b>	<b>4PCS</b>	<b>4PCS</b>	<b>1PC</b>

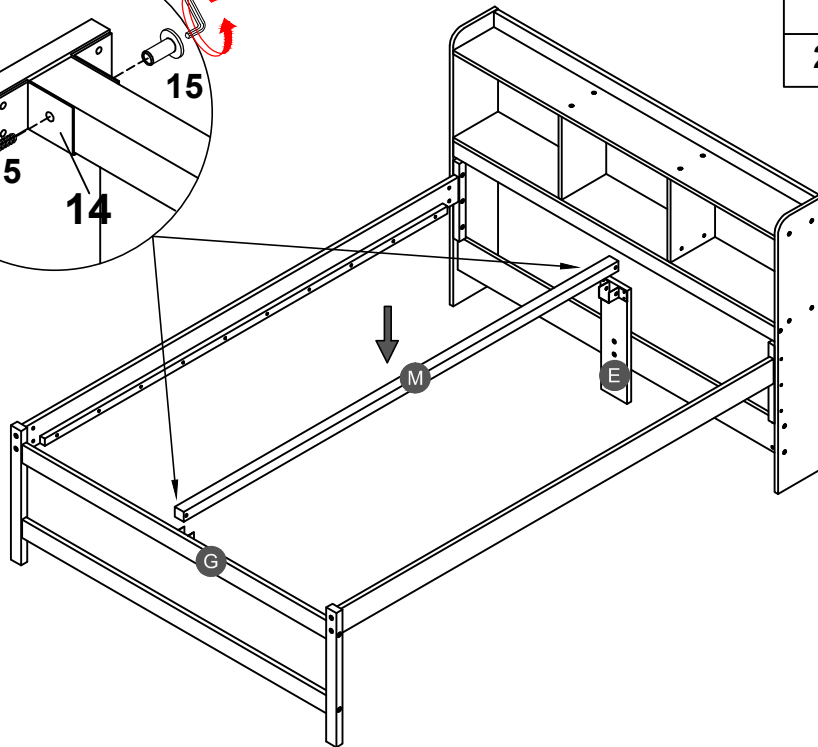
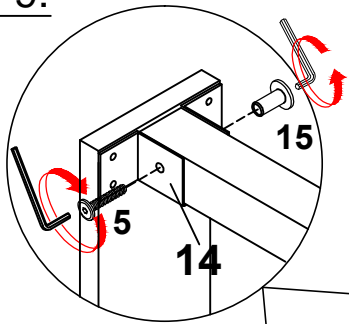


**STEP 8:**

<b>1</b> 	<b>3</b> 
<b>4PCS</b>	<b>8PCS</b>
<b>7</b> 	<b>8PCS</b>

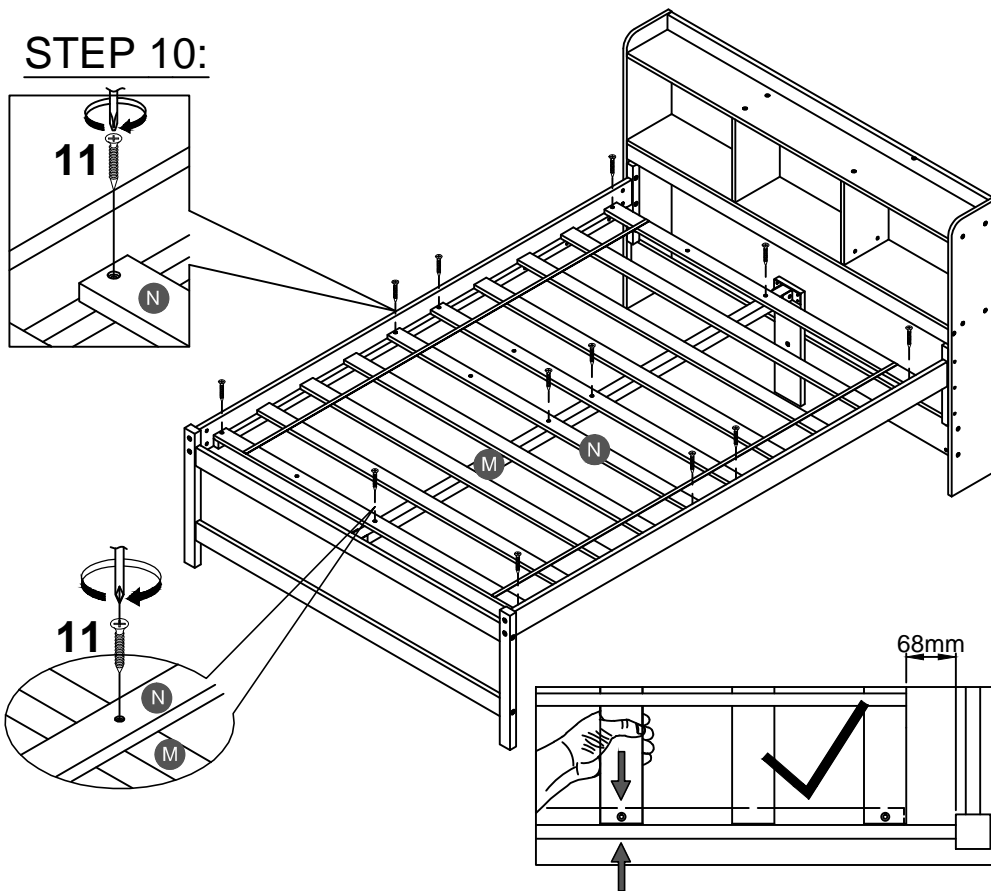
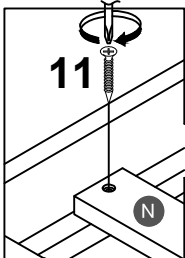


**STEP 9:**



<b>5</b>		<b>15</b>	
<b>2PCS</b>		<b>2PCS</b>	

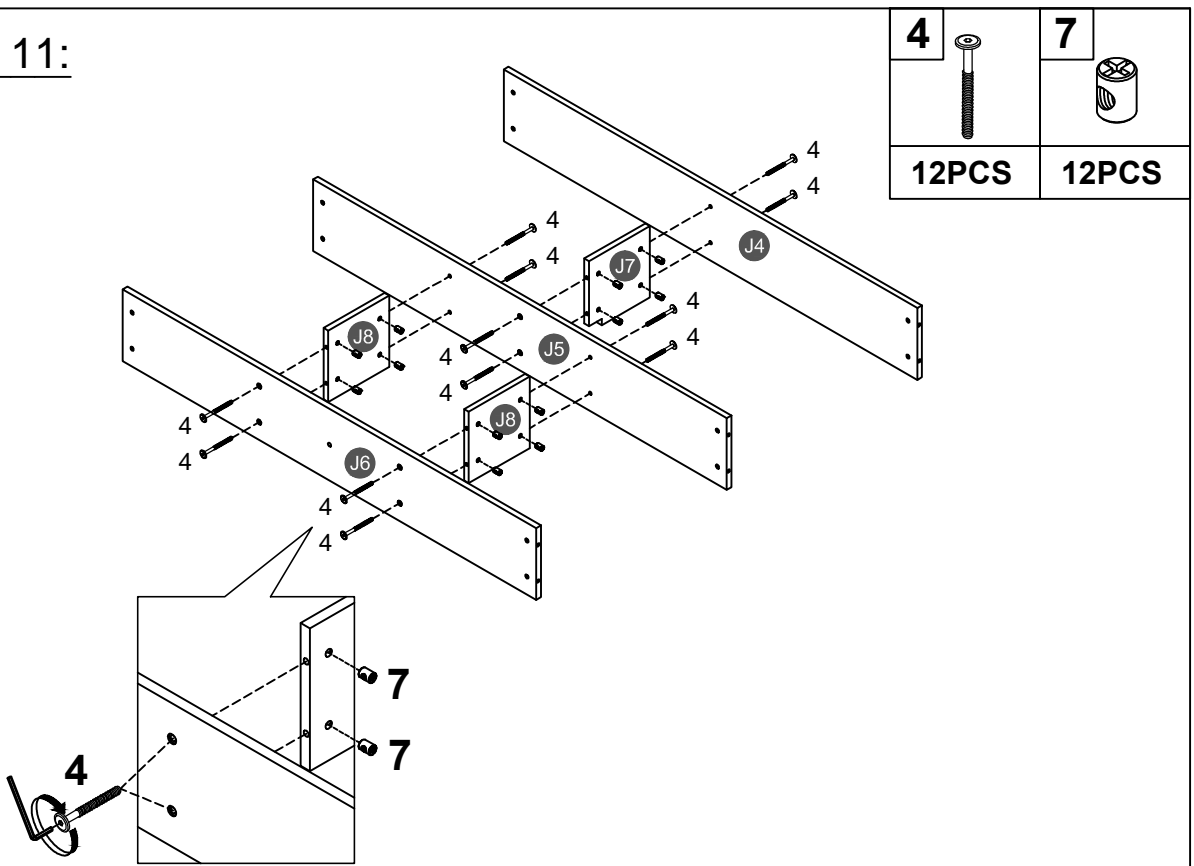
**STEP 10:**





<b>11</b>	
<b>12PCS</b>	

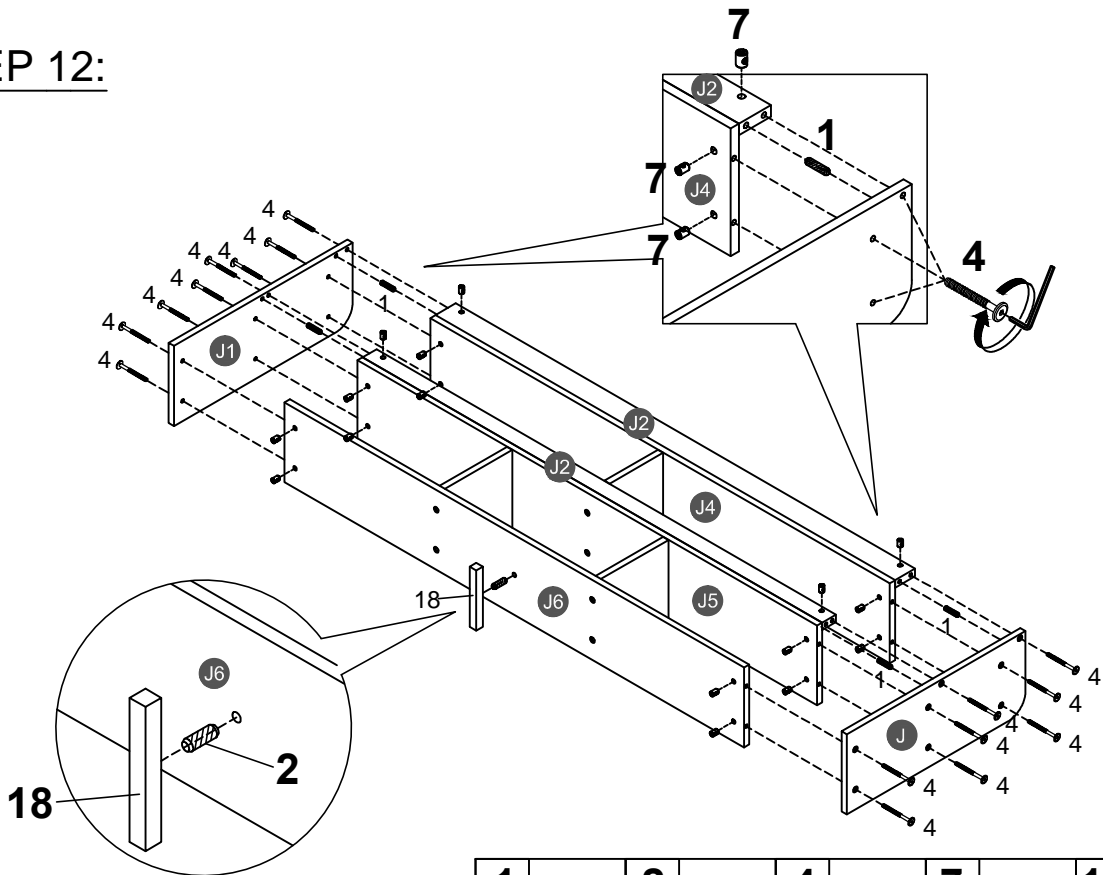
**NOTE:** Please make sure the bed slats close to the side rail before locking the screws to avoid breakage. This step is required for both the left and right sides. Moreover, please do not lock the screws of the bed slats at the outermost edge to avoid damaging





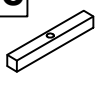
**STEP 11:**



<b>4</b>		<b>7</b>	
<b>12PCS</b>		<b>12PCS</b>	

**STEP 12:**



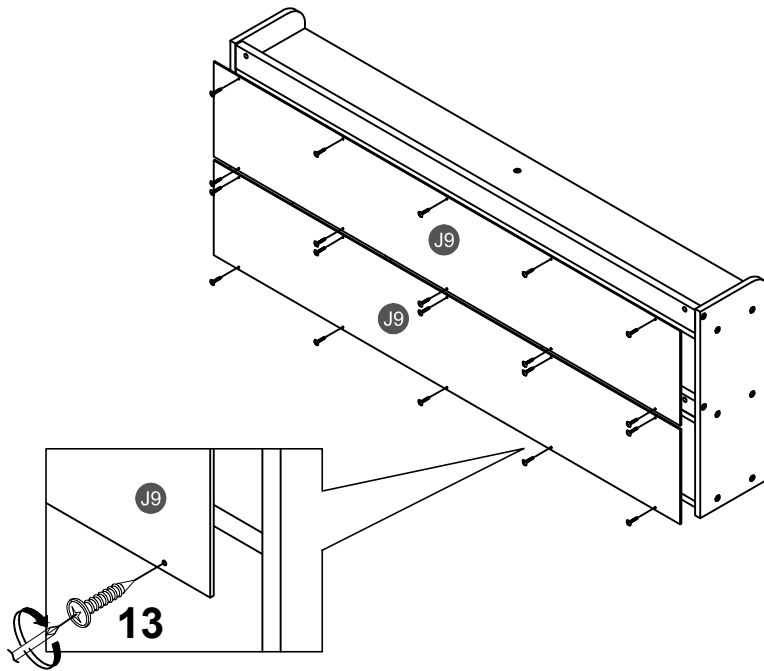
<b>1</b>		<b>2</b>		<b>4</b>		<b>7</b>		<b>18</b>	
<b>4PCS</b>		<b>1PC</b>		<b>16PCS</b>		<b>16PCS</b>		<b>1PC</b>	

STEP 13:

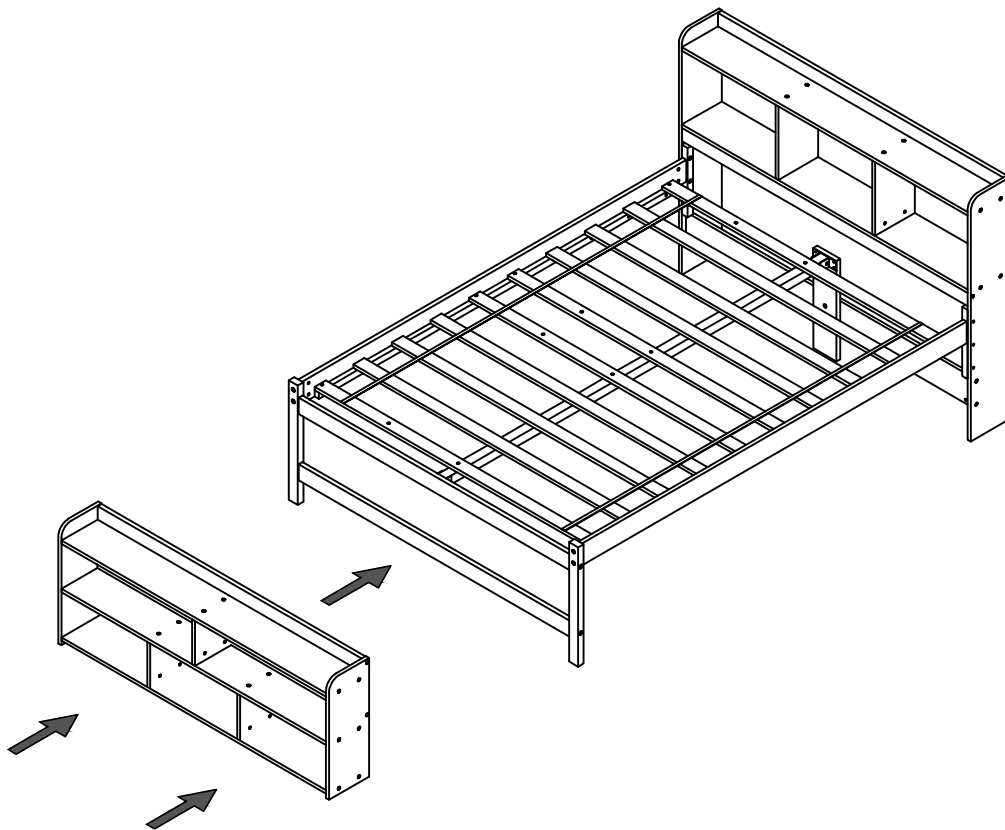
13




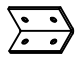
20PCS

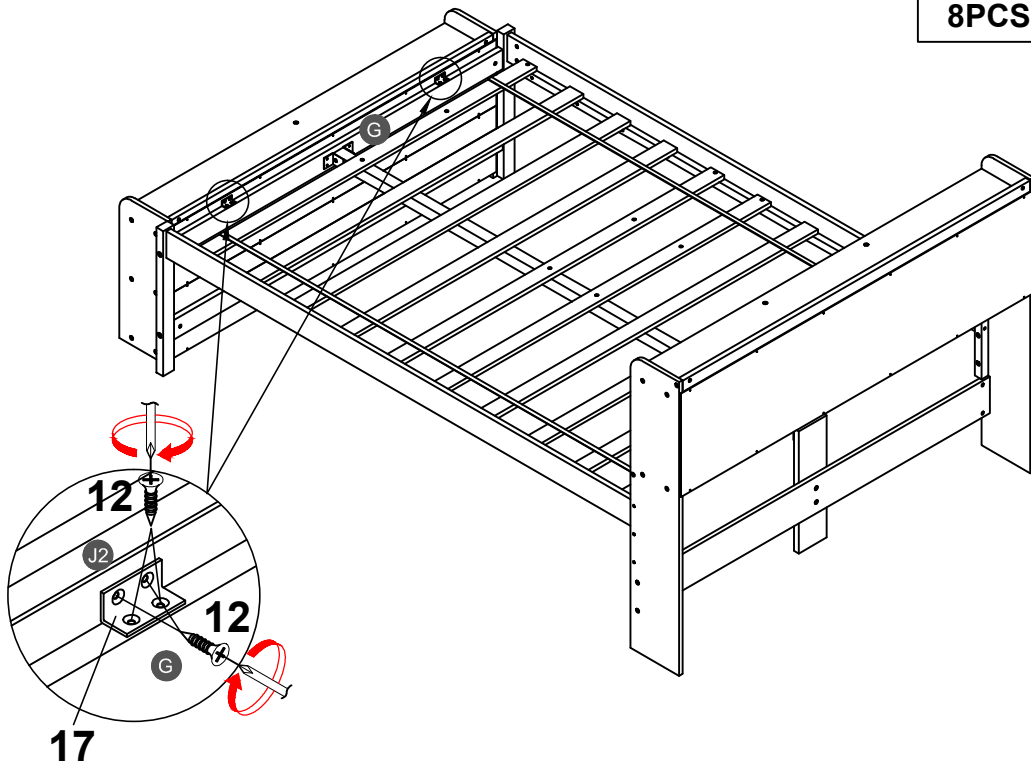


STEP 14:





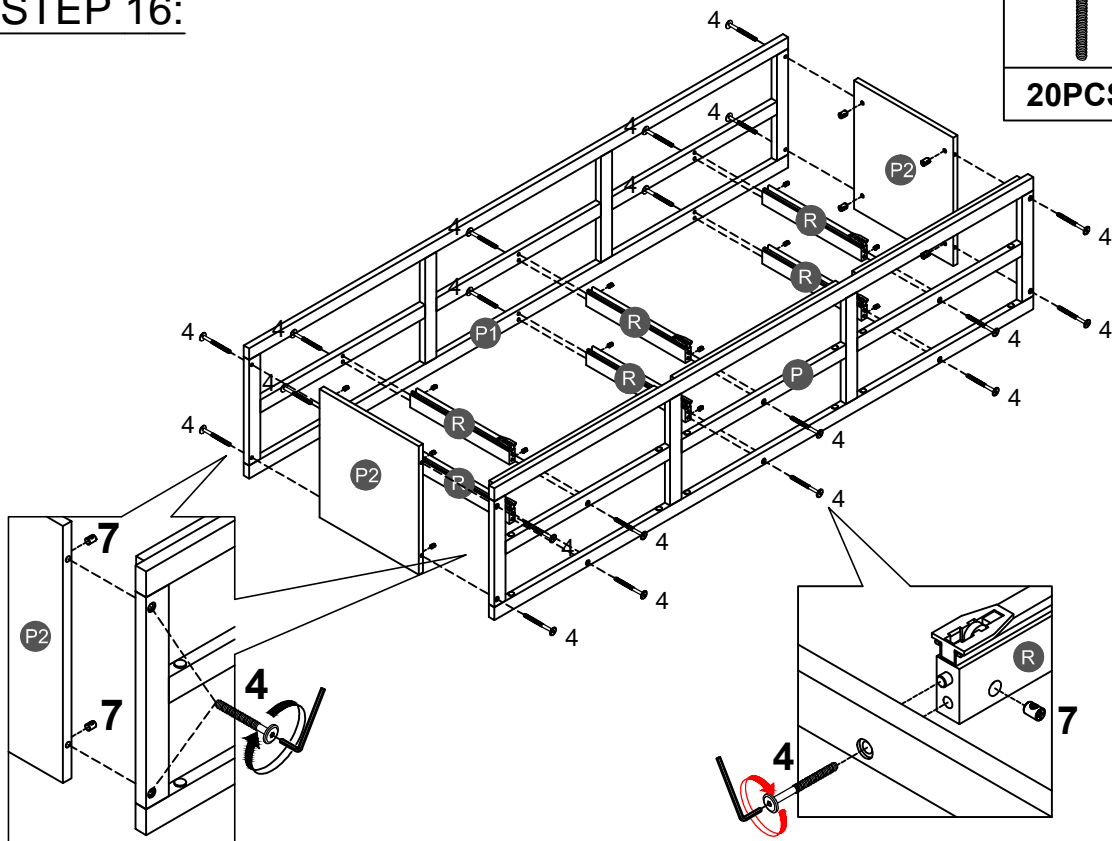
**STEP 15:**

<b>12</b>		<b>17</b>	
<b>8PCS</b>		<b>2PCS</b>	

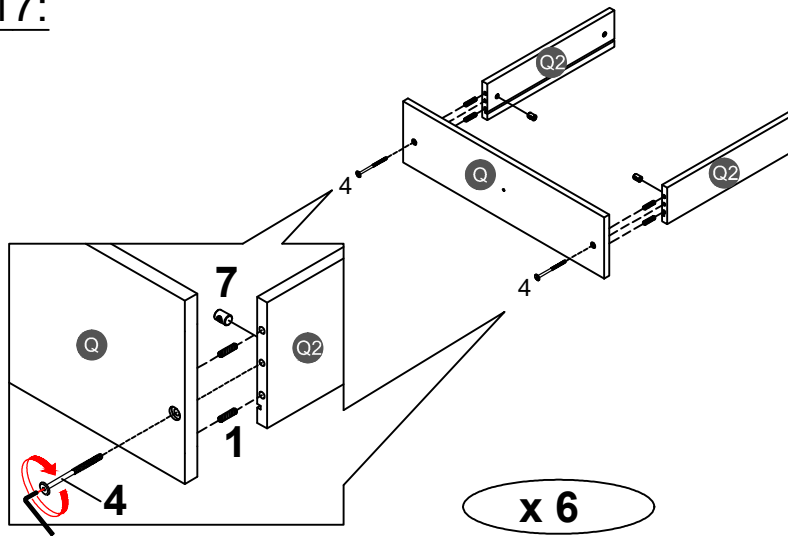


**STEP 16:**

<b>4</b>		<b>7</b>	
<b>20PCS</b>		<b>20PCS</b>	

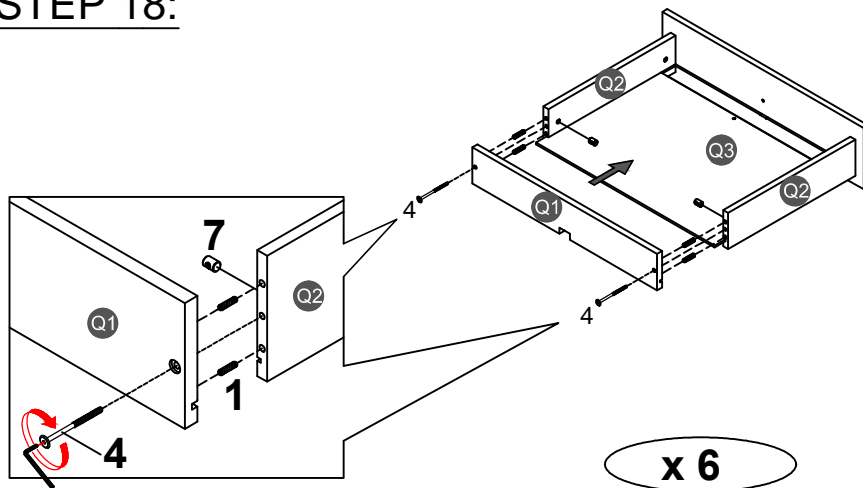


**STEP 17:**



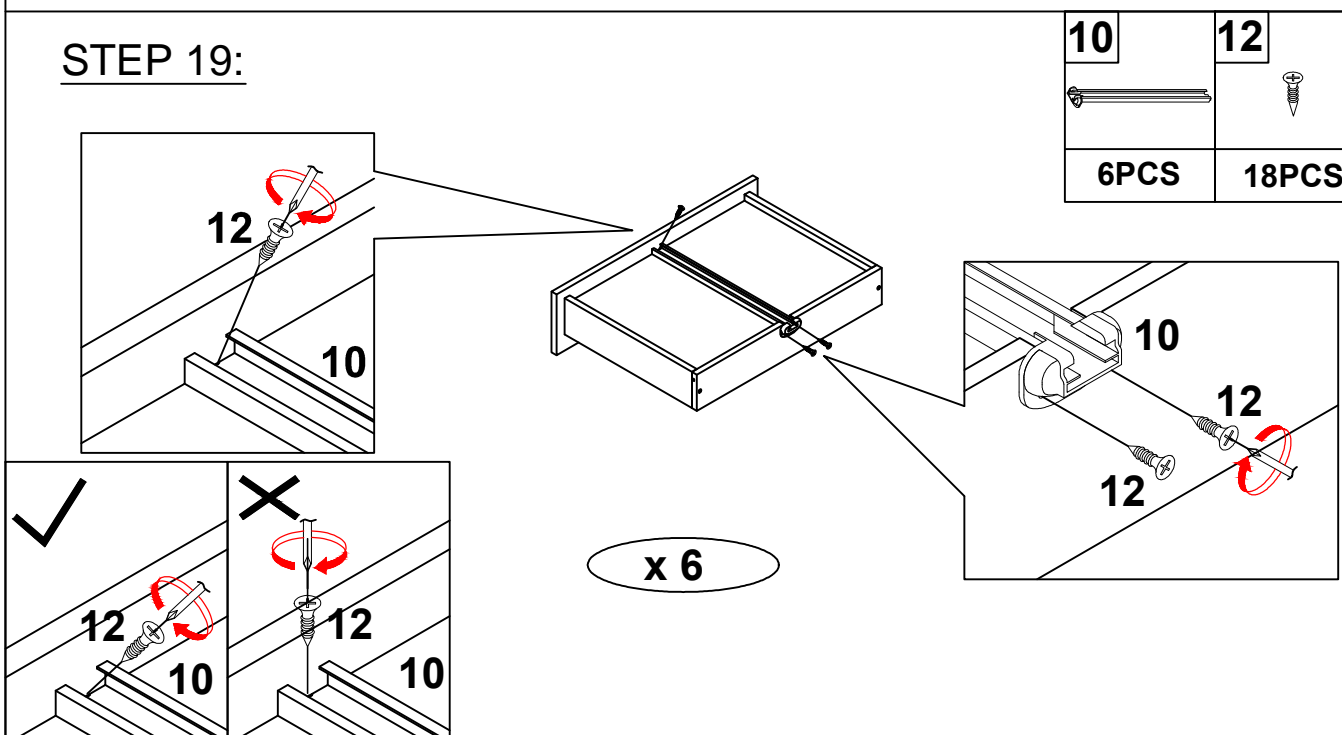
<b>1</b>		<b>4</b>	
<b>24PCS</b>		<b>12PCS</b>	
		<b>7</b>	
		<b>12PCS</b>	

**STEP 18:**



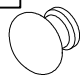

<b>1</b>		<b>4</b>	
<b>24PCS</b>		<b>12PCS</b>	
		<b>7</b>	
		<b>12PCS</b>	

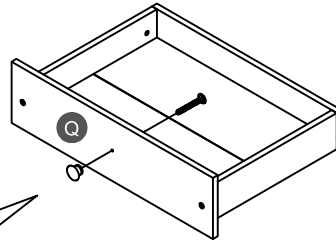
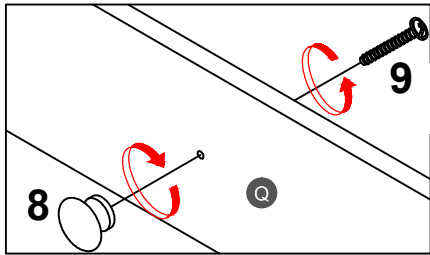
**STEP 19:**



<b>10</b>		<b>12</b>	
<b>6PCS</b>		<b>18PCS</b>	

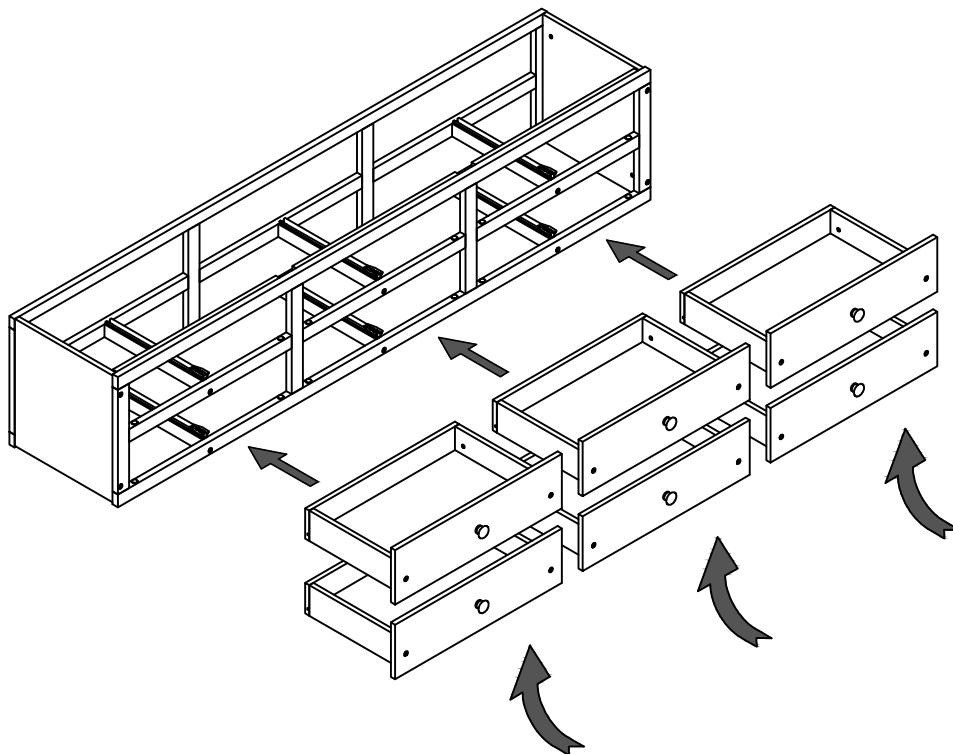
STEP 20:

<b>8</b>	<b>9</b>
	
<b>6PCS</b>	<b>6PCS</b>

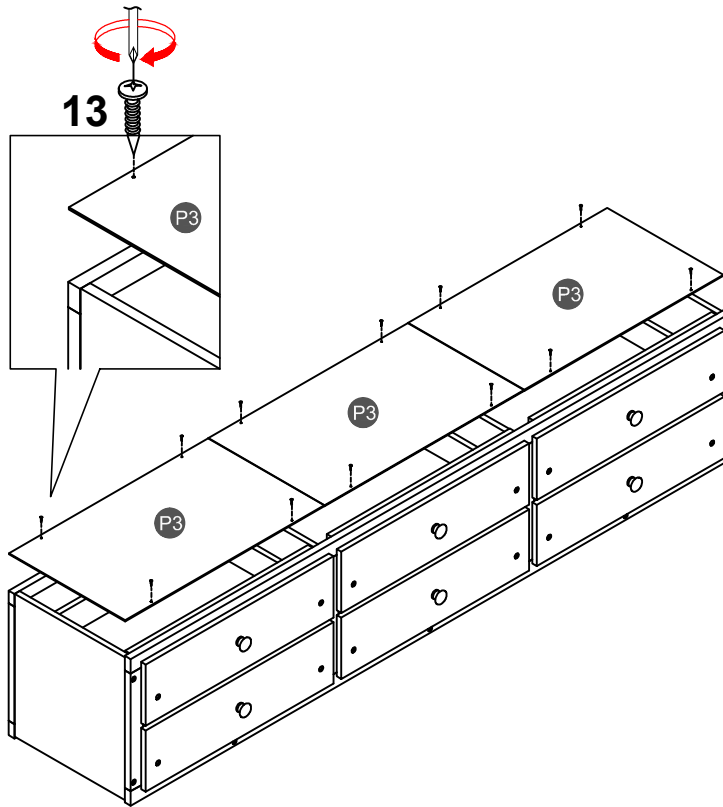


**x 6**

STEP 21:



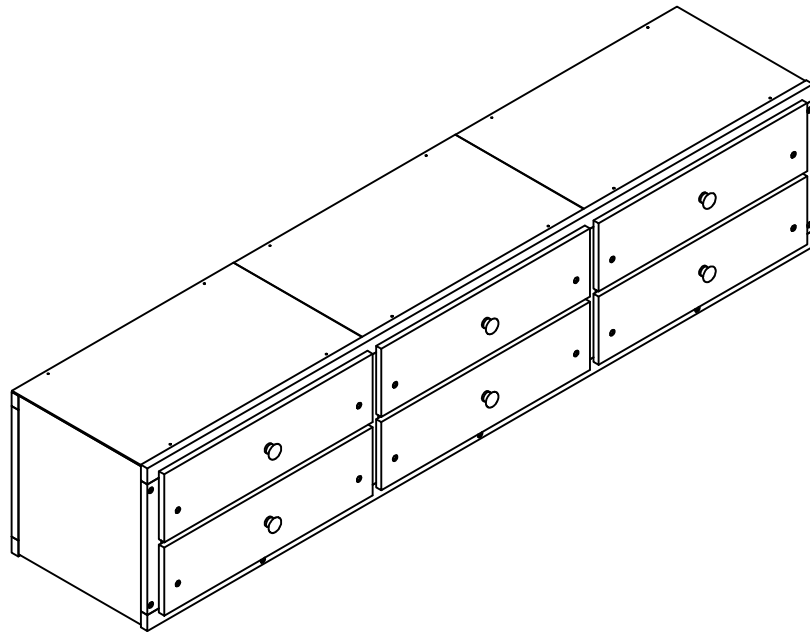
**STEP 22:**



**13**



**12PCS**



STEP 23:

