

ASSEMBLY INSTRUCTION

Dear Customer,





Thank you for purchasing our furniture products.

Read the instruction carefully. See hardware and furniture part list for guidance. Be sure all part is complete before assembly. Place all wooden parts on a clean and flat surface to prevent from being scratched. Follow the figure to start assembling.

CAUTIONS!!!

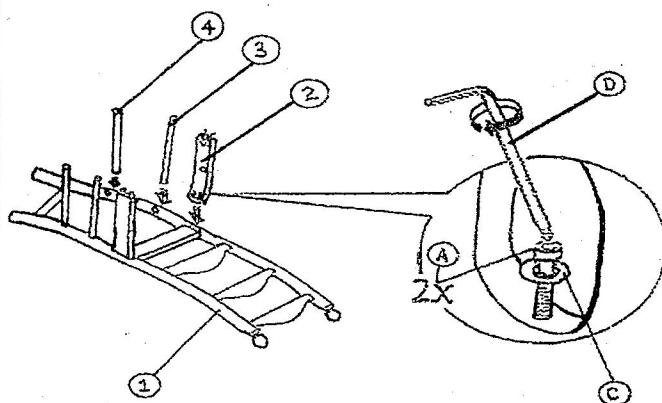
1. DO NOT FULLY TIGHTEN THE NUT OR BOLTS UNTILL ALL THE NUTS OR BOLTS IS READY ASSEMBLED
2. DO NOT OVER TIGHTEN THE NUT OR BOLTS TO AVOID CAUSING DAMAGES TO THE THREAD.

NO	PARTS LIST	QTY
1	CHAIR BACK	1PC
2	SIDE RAIL (L/R)	2PCS
3	STRETCHER	2PCS
4	STRETCHER " D "	2PCS
5	FRONT LEG	1PC
6	RUSH SEAT	1PC

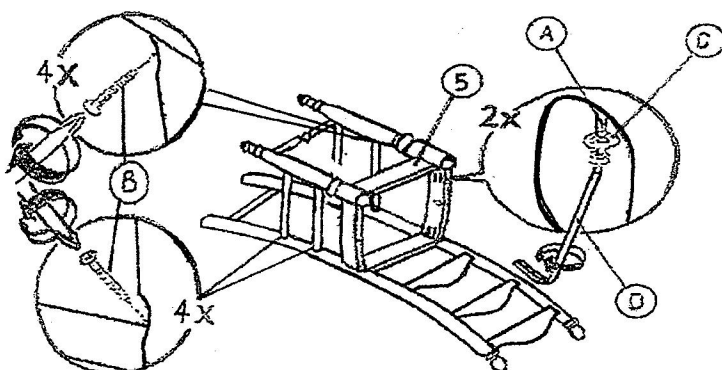
NO	HARDWARE LIST	QTY
A	 JCBC BOLT M6 X 50MM	8PCS
B	 CSK SCREW M4 X 38MM	11PCS
C	 SPRING WASHER	8PCS
D	 M4 ALLEN KEY W/BALL	1PC

NOTE : THE LIST QUANTITY SHOW ABOVE IS FOR 1 UNIT ASSEMBLY.

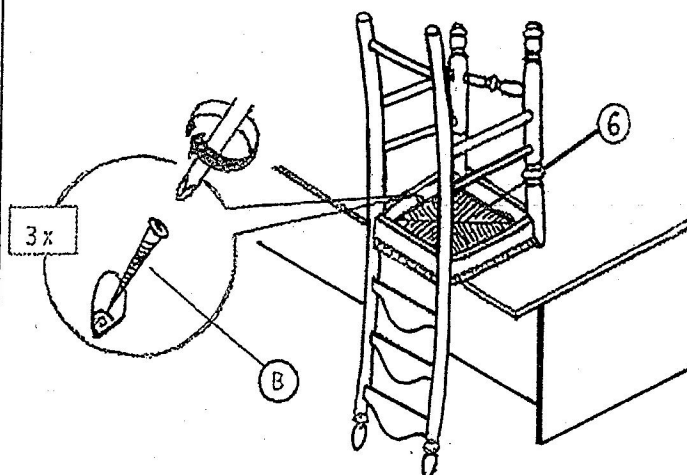
STEP 1



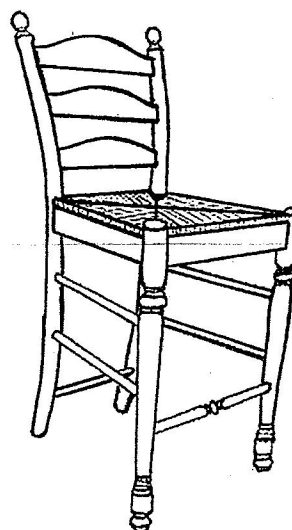
STEP 2



STEP 3



STEP 4



FULLY ASSEMBLY

NOTE : " AFTER A FEW DAYS OF INITIAL ASSEMBLY AND CHAIR HAVE ACCLIMATED TO NEW ENVIRONMENT, RETIGHTEN ALL HARDWARE "