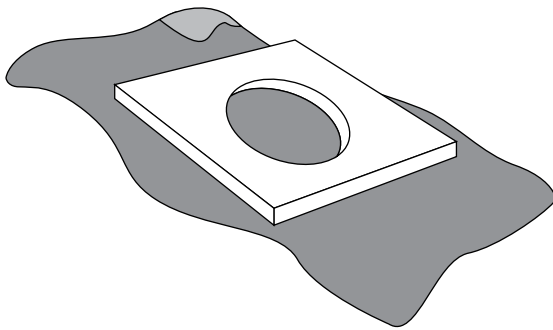


UNDERMOUNT BATHROOM SINK

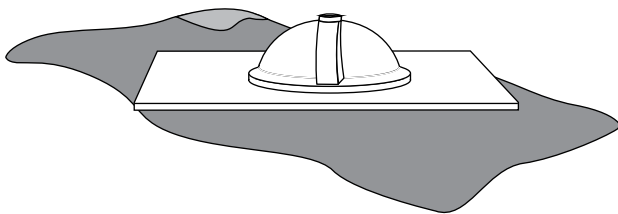
SINK INSTALLATION

1. Carefully turn the counter top over, resting it on a soft, stable surface to prevent damage.

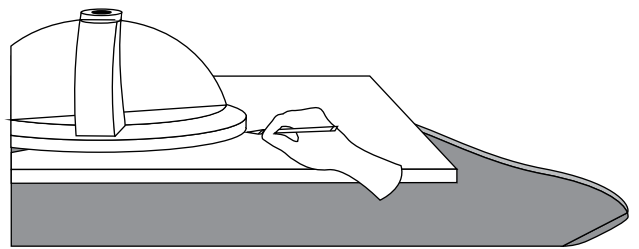
Important: The counter top is very fragile. Take caution when handling, and have someone assist you.



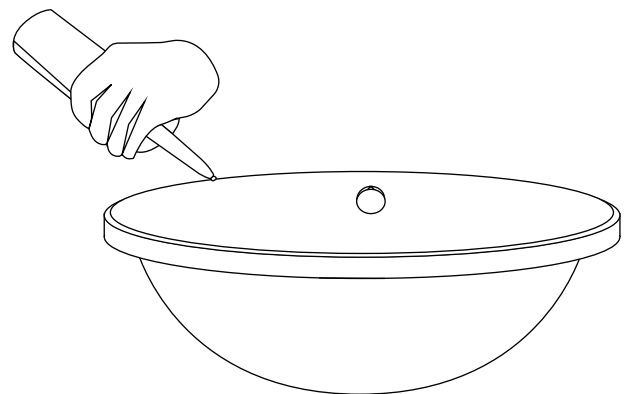
2. Position the sink over its cutout on the counter top. Make sure the sink is centered with the faucet hole and is evenly spaced between the bolt holes.



3. Use a pencil or marker to draw an outline around the sink perimeter.

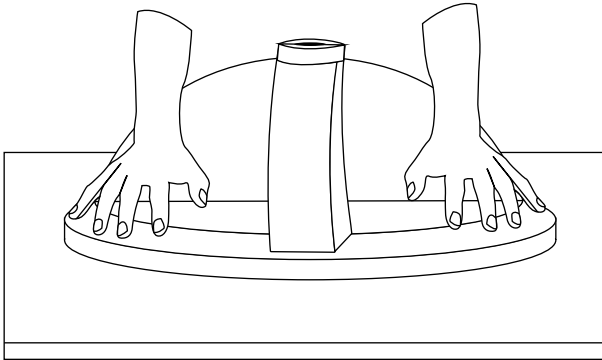


4. Remove the sink from the counter top. Apply a bead of silicone sealant around the top edge of the sink rim.

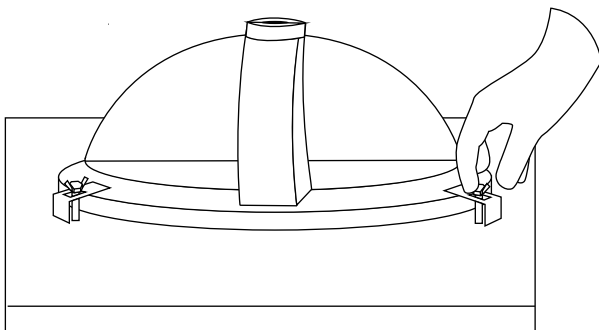


UNDERMOUNT BATHROOM SINK

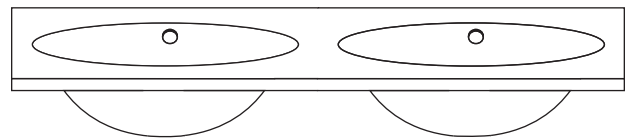
5. Carefully place the sink upside down on the counter top, positioning it within your marked outline. Once positioned, press firmly into place.



6. At each of the bolt holes in the counter top, attach sink clips by placing the long end of the bracket flat against the sink lip. Screw the wing bolts through the brackets and bolt holes and tighten.



7. Carefully turn the counter top and sinks over. If needed, reposition the sinks by slightly loosening the wing bolts and adjusting.



8. Wipe away any excess sealant with a damp cloth, and allow the sealant to dry. Once the sealant is dry, proceed to Step 3.

