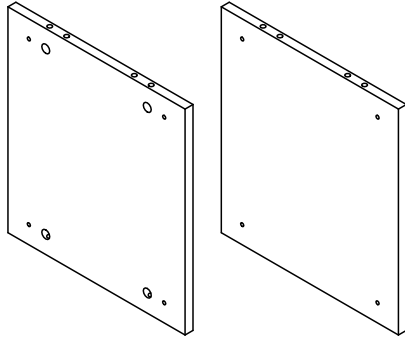
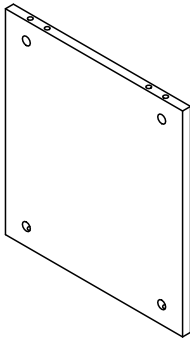


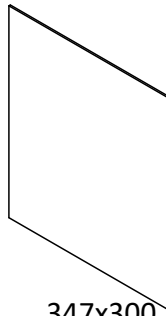
Ax2



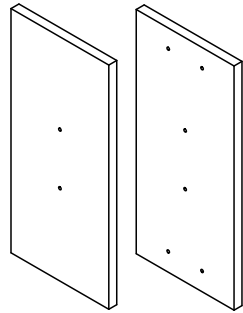
Bx1



Cx1



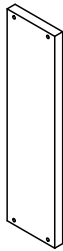
$\frac{347 \times 300}{13.7 \times 11.8}$
Dx2



Ex2



$\frac{398 \times 185}{15.7 \times 7.3}$
Fx2



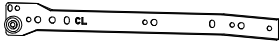
Gx2



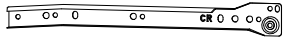
Hx1



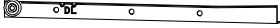
Ix4



CLx2



CRx2



DLx2



DRx2



Jx4



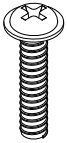
Kx10



Lx26



Mx26



Nx4



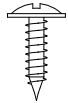
Ox8
M6x $\frac{12}{0.5}$



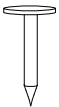
Px2



Qx4



Rx2



Sx40



Tx2



Ux24
M3.5x $\frac{12}{0.5}$



Vx1



Wx4

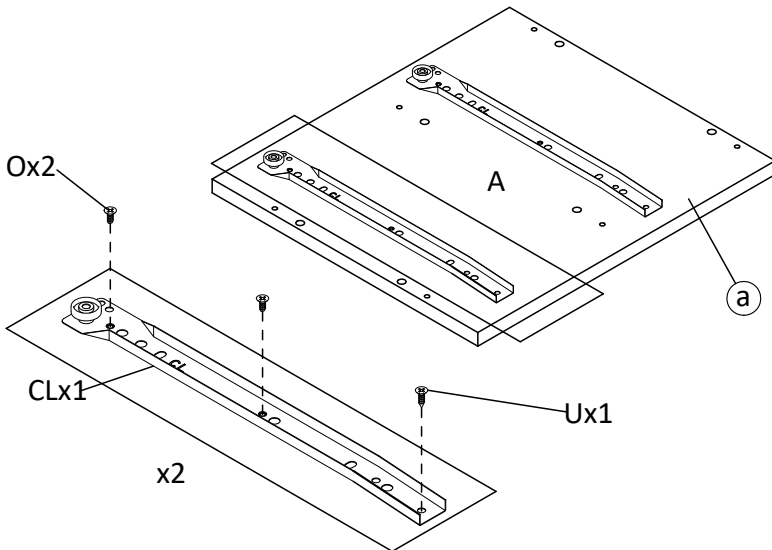


mm
inch

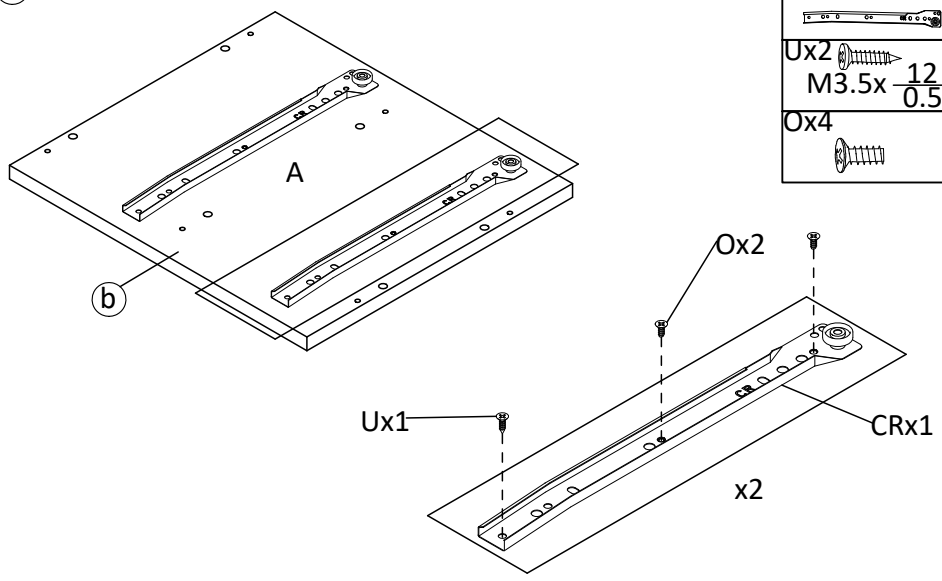
x2

1

CLx2		
Ux2		$\frac{12}{0.5}$
Ox4		$\frac{12}{0.5}$

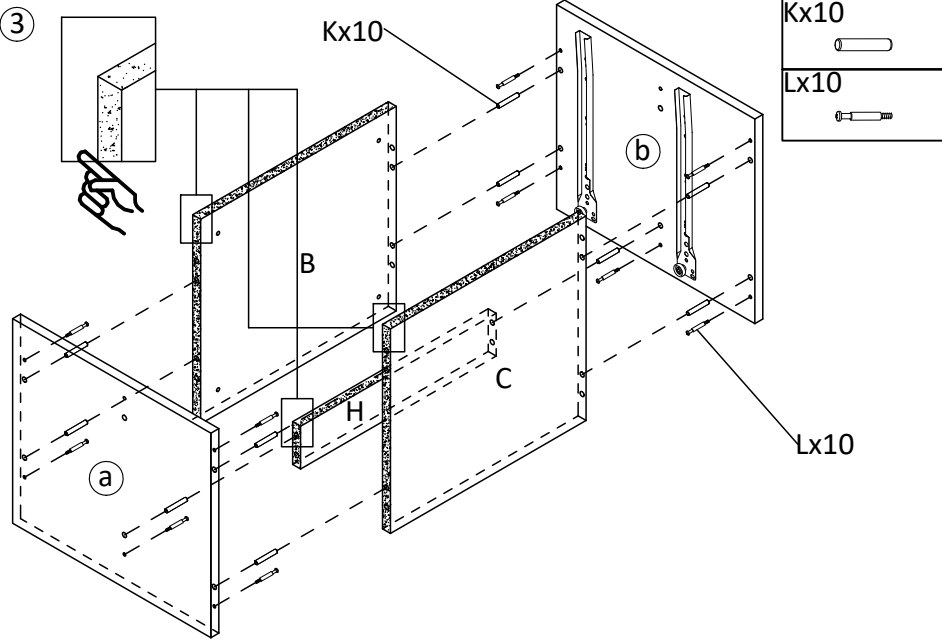


2

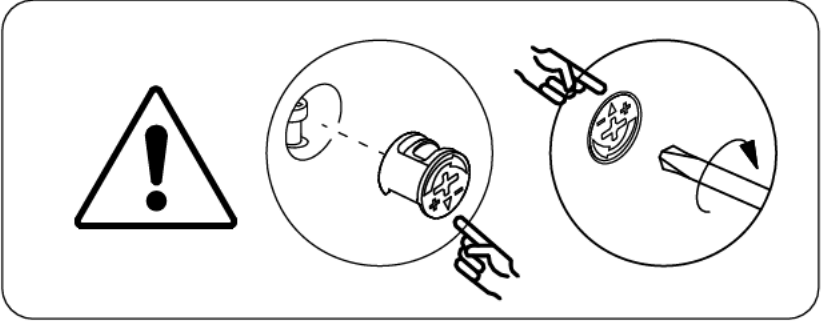


- CRx2
- Ux2 $M3.5 \times \frac{12}{0.5}$
- OX4

3

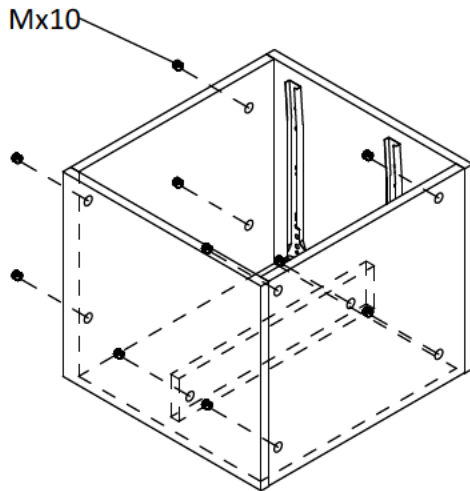


- Kx10
- Lx10

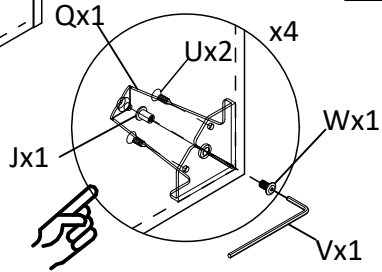
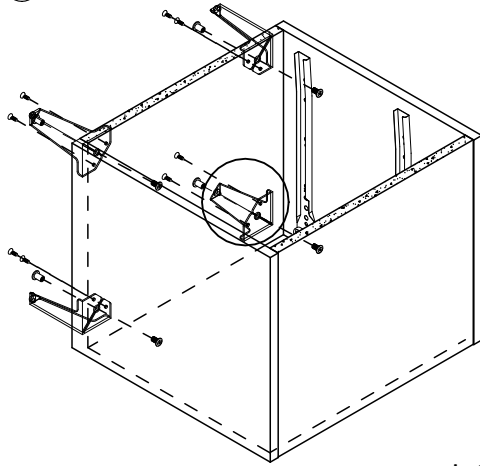




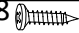
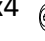
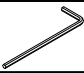
④

Mx10

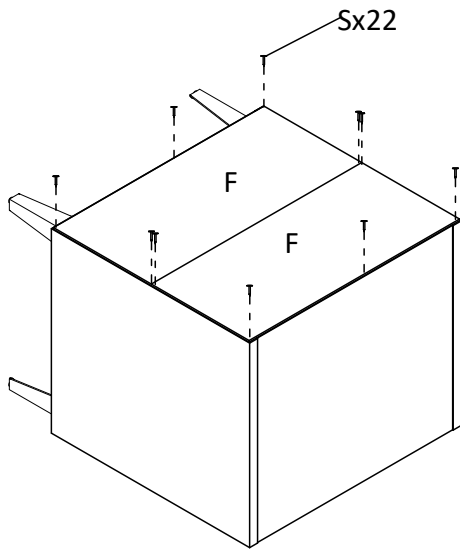


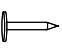
5

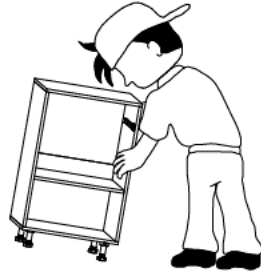
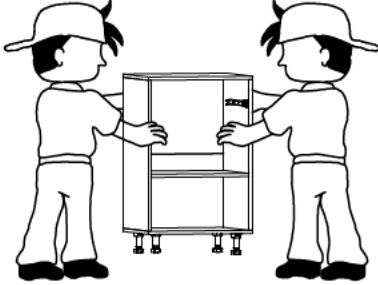


- Jx4 
- Qx4 
- Ux8 
M3.5x $\frac{12}{0.5}$
- Wx4 
- Vx1 

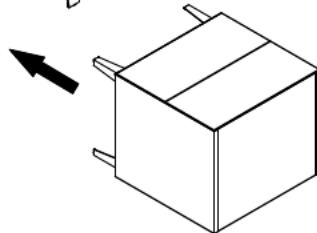
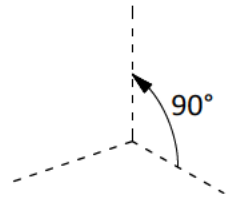
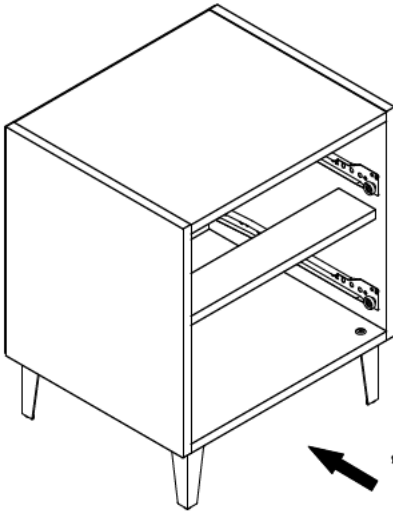
6



- Sx22 



7



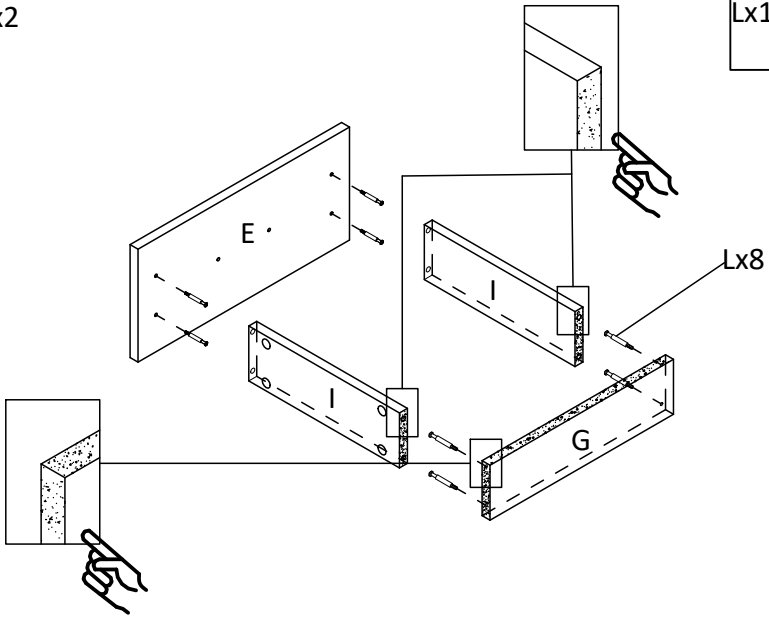
mm
inch



x2

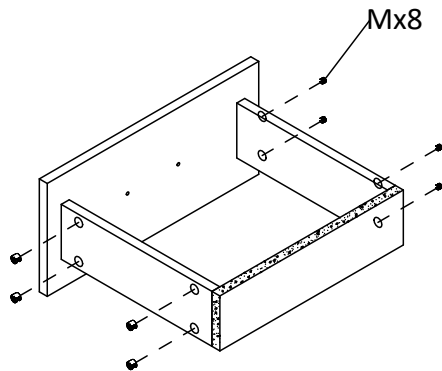
8 x2

Lx16

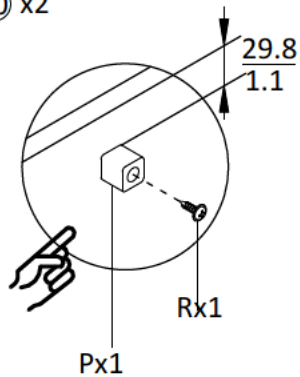


9 x2

Mx16



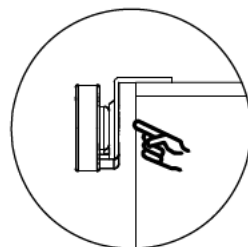
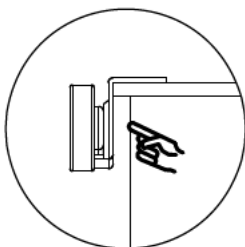
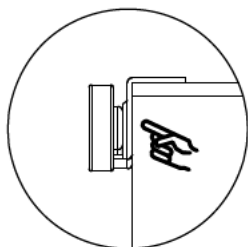
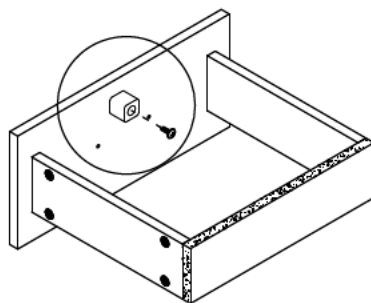
⑩ x2



Px2

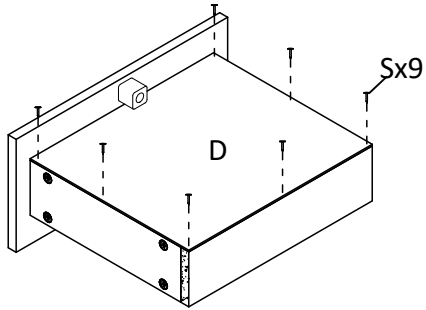


Rx2



11 x2

Sx18

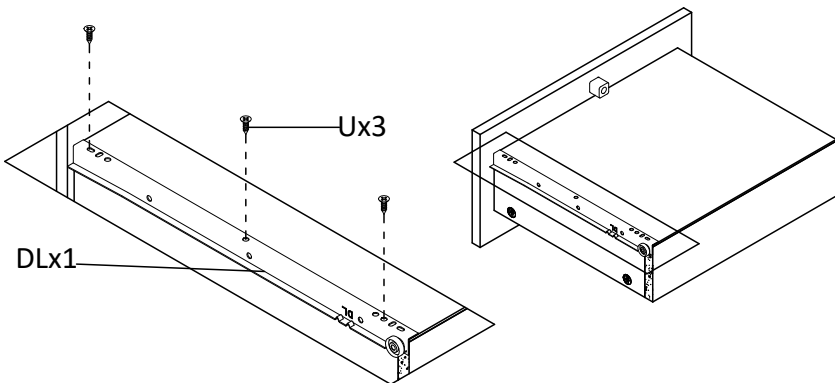


12 x2

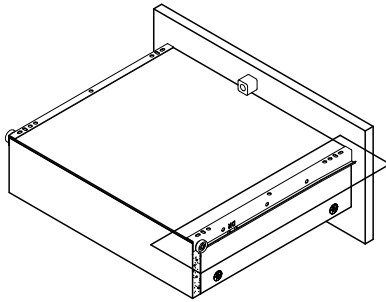
DLx2



Ux6
M3.5x $\frac{12}{0.5}$



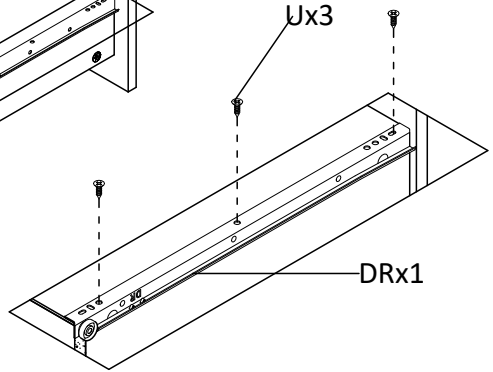
13 x2



DRx2



Ux6
M3.5x $\frac{12}{0.5}$

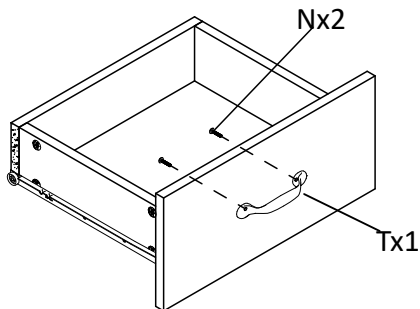


14 x2

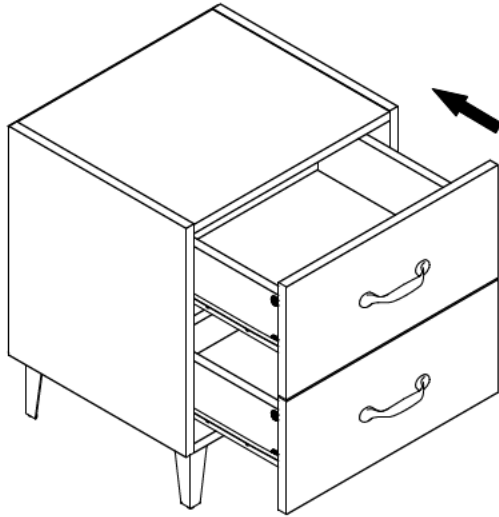
Nx4



Tx2



15



16

