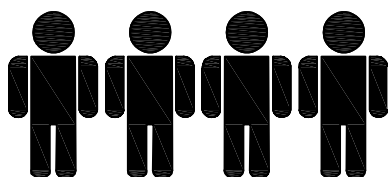
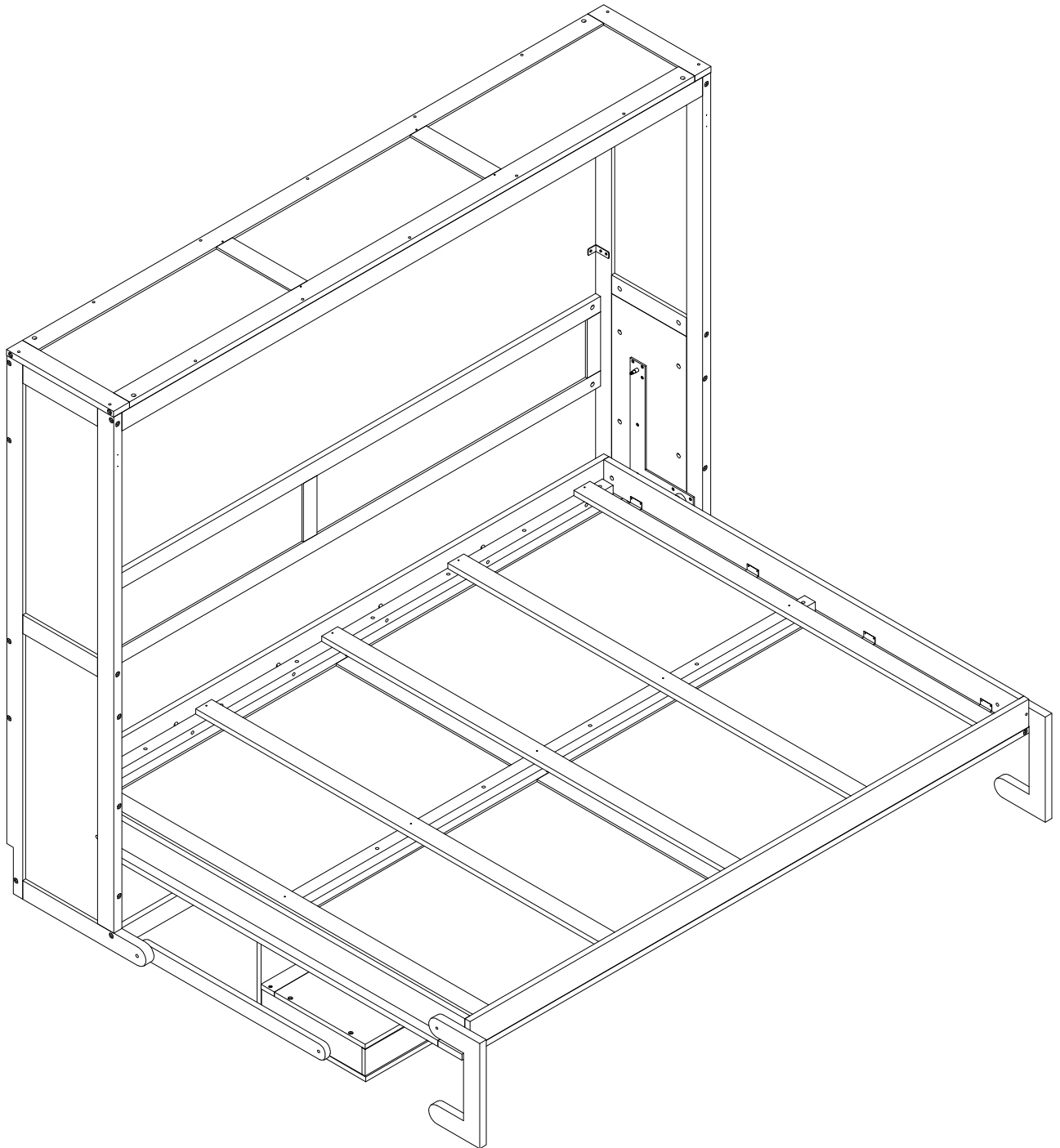


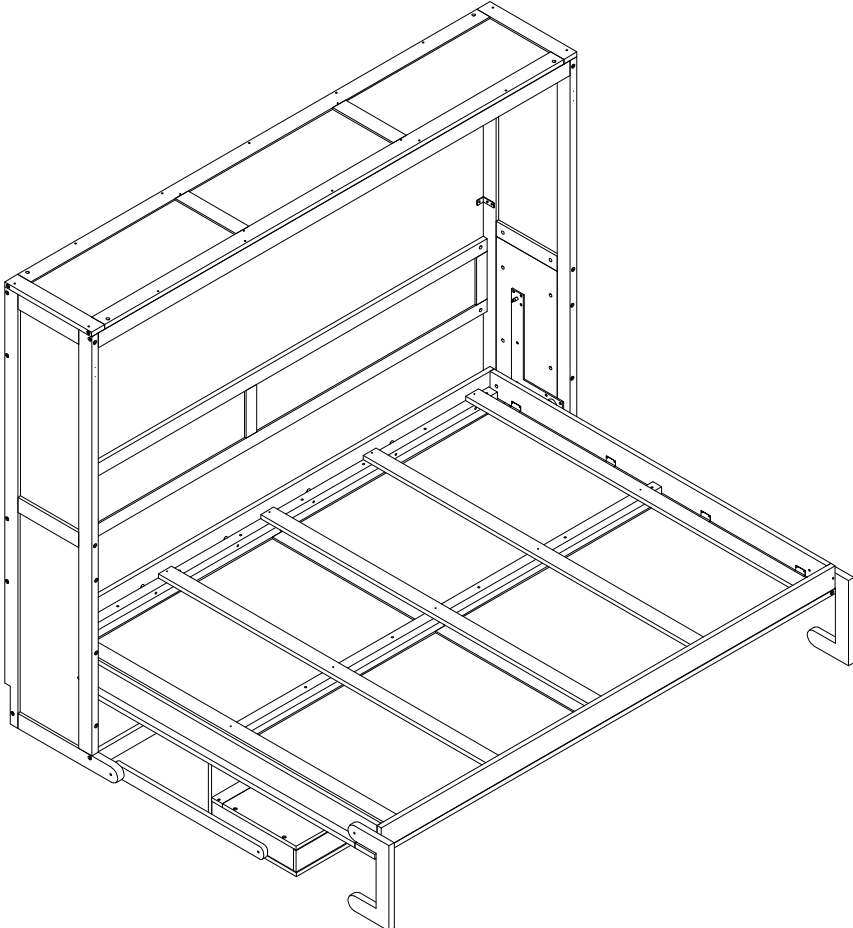
ASSEMBLY INSTRUCTION

INSTRUCTION DE MONTAGE

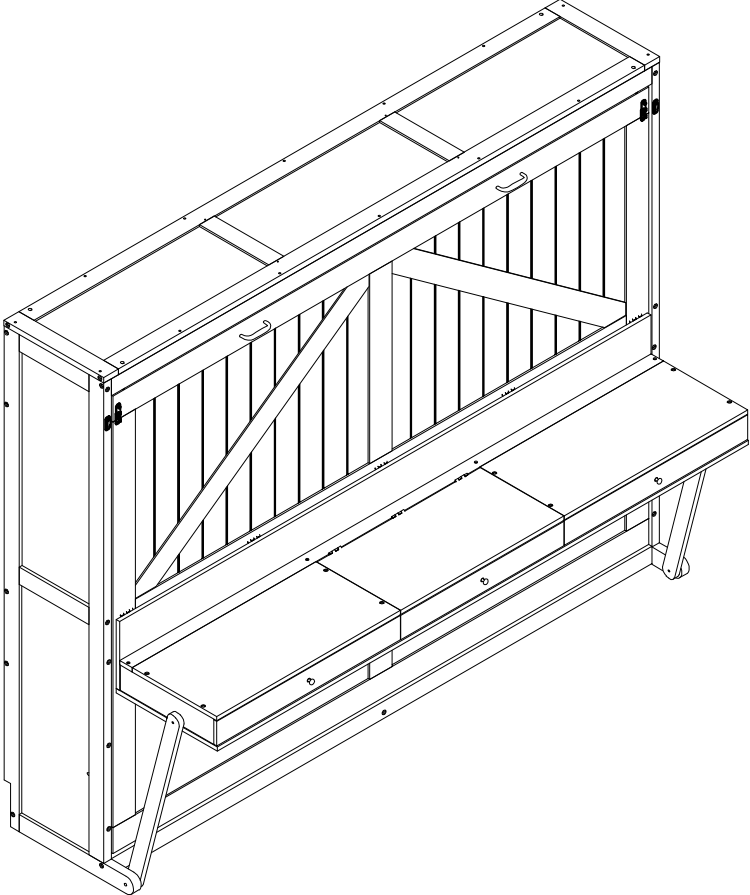


Four people are required to assemble and move this model.

OPTION 1:



OPTION 2:



IMPORTANT INFORMATION PACKAGE.

THIS INFORMATION PACKAGE CONTAINS WARNING AND PRODUCT SAFETY INFORMATION. DO NOT PROCEED WITHOUT REVIEWING THOROUGHLY.

A. WARNING LABELS.

Your purchased Murphy Bed is delivered to you with WARNING LABELS to constantly remind you to take and adopt Safety Measure throughout the entire assembly and mounting points of the Bed to the walls.

DO NOT REMOVE these labels.

These Warning Labels serve as a Reminder Tool for visiting friends and relatives when using the Murphy Bed to ensure Safety Precautions are taken.



WARNING.

IMPORTANT SAFETY REQUIREMENTS - Bed Attachment to Wall.

For Your Safety, the Murphy Bed MUST BE ATTACHED to the Wall.

Seek Certified Professional Consultant / Contractors for their Services to:

- 1.) DETERMINE the WALL Type in Your Home;
- 2.) PRECISE HARDWARE that suits to the Wall Type in Your Home;
- 3.) INSTALL / ATTACH of the Murphy Bed to the Wall in Your Home;
- 4.) VALIDATE the Murphy Bed is appropriately and securely installed/attached.

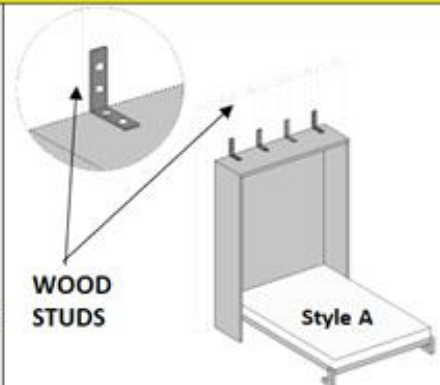
The choice of wall anchoring hardware depends on the type of wall. This Murphy Bed is delivered with HARDWARE SCREWS suited for attachment to WOOD STUDS in walls. Any STUDS type detected with your Consultant-Contractors to be **NOT WOOD STUDS** - DISCARD and DO NOT USE these SCREWS. Use the hardware suitable for your wall material.

Seek the professional advice of your Consultant-Contractor and procure the appropriate hardware and brackets for the attachment of the Murphy Bed to the Wall.

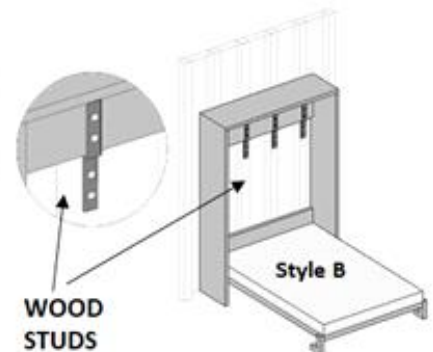
FAILURE TO ADHERE TO THE ABOVE INSTRUCTIONS MAY RESULT IN SERIOUS and/or SEVERE INJURIES or Death caused by the detachment of the Murphy Bed from the Wall.

SAFETY PRECAUTION :

1.) MAXIMUM Mattress Weight suited to your Murphy Bed : **77lbs (35 kg)**;
MAXIMUM mattress thickness: **8 inches (20 cm)**;
2.) ENSURE ADULTS ONLY throughout the entire assembly and attachment.
3.) KEEP ALL Children, Non-Ambulatory persons and Pets at bay during the entire assembly and attachment.



WOOD STUDS



WOOD STUDS

LINE ART for Reference only and NOT DRAWN TO SCALE.

MATTRESS PLACEMENT.

Only after the Murphy Bed is FULLY SECURED to the wall, the 2 adult persons who are holding down the entire Murphy Bed, can now be released for this action.

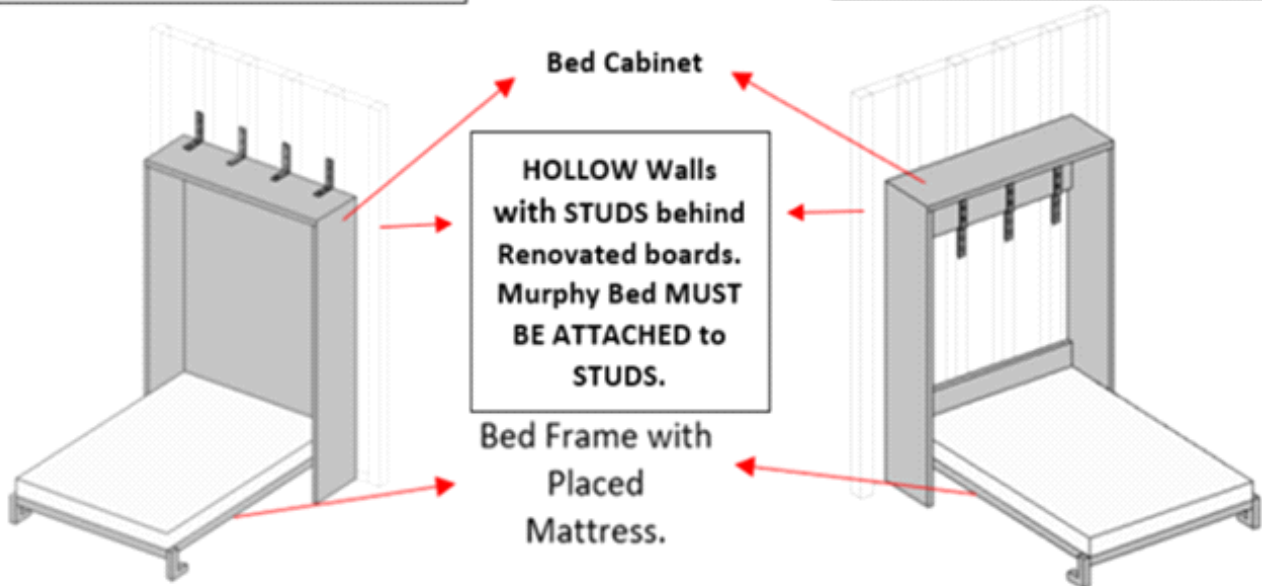
Have 1 to 2 persons – place equal strengths to the handles and gently and securely, PULL DOWN the Bed Frame until the Bed Frame is horizontally and level to the ground.

Have the other 2 persons – carry and place the Mattress (**within the recommended weight and thickness**) and gently place the Mattress on to the Bed Frame.

CAUTION : Homes are renovated differently. There are CONCRETE walls and "hollow walls". Hollow walls are reinforced with STUDS of Wooden or Steel Materials. Seek advice from professionals.

Style A - VERTICAL Murphy Bed with SEALED/CLOSED Back board.

Style B - VERTICAL Murphy Bed with OPEN STYLE Back board.



B. SAFETY REMINDERS.

MARKINGS in WALL - WHERE TO ATTACH the MURPHY BED.

Irrespective of the wall type, whether **Solid Concrete Walls** OR **Decorative Walls with WOODEN Studs** OR **Decorative Walls with Metal Studs**, ensure that

- a.) you choose a professional installer who has a good understanding of the wall structure where the Murphy Bed is anchored, including the position of the wall studs and structural components in the case of a wood or metal structure.
- b.) precise markings of the positions of the anchor points are to be made on the wall for easy identification during the Murphy Bed attachment to the wall.
- c.) the relevant and appropriate Hardware with Metal Brackets are READY for this attachment and are within easy access for prompt and efficient attachment.

This product requires Professional Consultation and Installation*.

* When you choose the professional installer, make sure to comply with all applicable laws, regulations and rules in the city, state or country where the Murphy Bed is installed.

To have your Murphy Bed fully assembled and to achieve its intended functionality - you **MUST READ** through this entire Assembly Instructions Manual before you start the assembly of the bed

1.) **There are numerous Safety Issues and Safety Precautionary Actions that you MUST KNOW before you start the Assembly.**

2.) **CAUTION - Failure to FOLLOW / ADHERE to the GUIDE, WARNING AND REMINDERS here, may result in serious / severe injuries or death.**

3.) **PRECAUTION : For the assembly, Adult Partners only, to assist in the entire assembly. Ensure 4 (four) to 6 (six) ABLE BODIED PERSONS ONLY in the entire assembly and attachment of this Murphy Bed to the walls of your home.**

4.) **CAUTION : During the entire assembly process and attachment of the Murphy Bed to the walls of your home, Keep ALL Children, Non-Ambulatory Persons and Pets completely at bay.**

5.) **SAFETY REMINDER on / to : Personal, Family Members and Pets. The Murphy Bed may be shipped to you in 3 to 5 packages and are HEAVY. Each carton holds many parts and components. Some of these components eg., bolts and screws are relatively small* in size.**

*. **During the assembly process, ensure that any misplaced bolts and nuts are picked up so that Children and or Pets do not play or ingest these.**

6.) **This Murphy Bed is intended for ADULT USE ONLY.**

7.) **This Murphy Bed is delivered to you pre-packed with Hardware - suitable for wood-framed walls renovated with WOOD STUDS ONLY.**

8.) **Your Home's Wall Type** - Every home is renovated differently with different wall(s) type / finishes. Before you proceed to assemble your Murphy Bed :

- a.) **SEEK and CONSULT Professional Services** to ascertain the wall type in the designated location where you intend to attach the Murphy Bed;
- b.) **ENSURE** the Consultant-Contractor specifically **INFORMS** you of the **WALL TYPE** in the designated spot where you intend to attach the Murphy Bed.
- c.) **ENSURE** the Consultant **INFORMS** you specifically on the matching and relevant Hardware / Brackets to secure and attach the Murphy Bed to the wall.

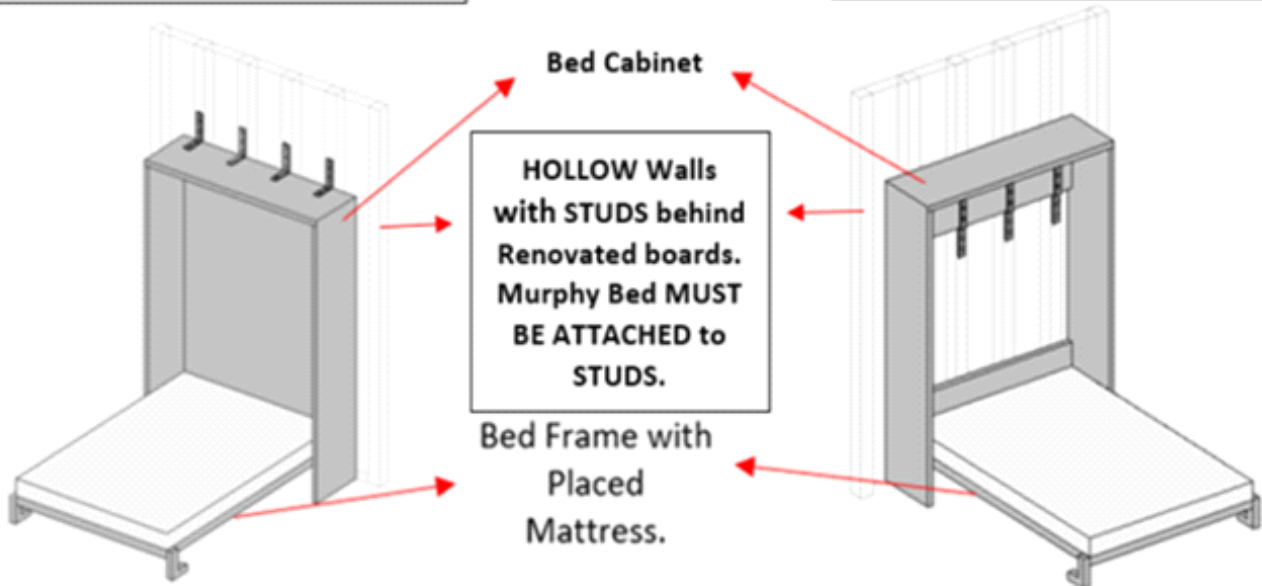
9.) **WARNING - YOU MUST HEED THE INSTRUCTIONS** given by your appointed Consultant-Contractor on the :

- a.) Mounting Hardware Type that suits the wall(s) type - where / when it is NOT WOOD STUDS, the **pre-packed Screws for Wood Stud Walls would not match/ not fit.**
- b.) Number of Mounting Points for the Murphy Bed to the Wall.

CAUTION : Homes are renovated differently. There are CONCRETE walls and "hollow walls". Hollow walls are reinforced with STUDS of Wooden or Steel Materials. Seek advice from professionals.

Style A - VERTICAL Murphy Bed with SEALED/CLOSED Back board.

Style B - VERTICAL Murphy Bed with OPEN STYLE Back board.



11.) This Murphy Bed is designed for home use and not intended for commercial use.

12.) This Murphy Bed is not intended to be moved, modified, uninstalled or disassembled once professionally installed.

A.) MOUNTING INFO & HARDWARE.

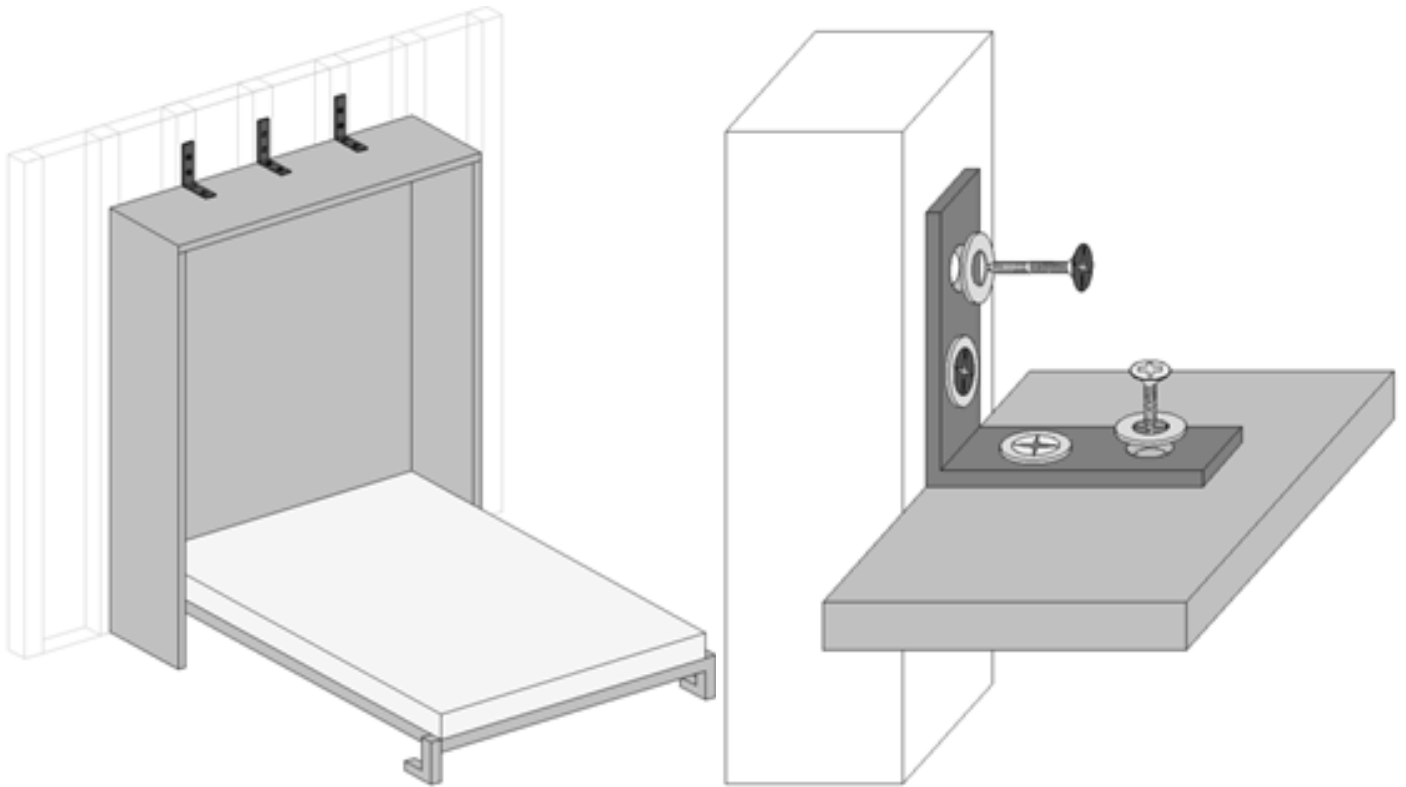
1.) REMINDERS :

- a.) **In the event, that this pre-packed Screws Set does not match to the walls in your home - DO NOT USE / DISCARD these hardware.**
- b.) **ADHERE to the Professional Consultant-Contractor instructions and information on the **RELEVANT** mounting hardware that suits your wall.**
- c.) Procurement of these **RELEVANT** hardware is an arrangement made between your Consultant-Contractor and you.

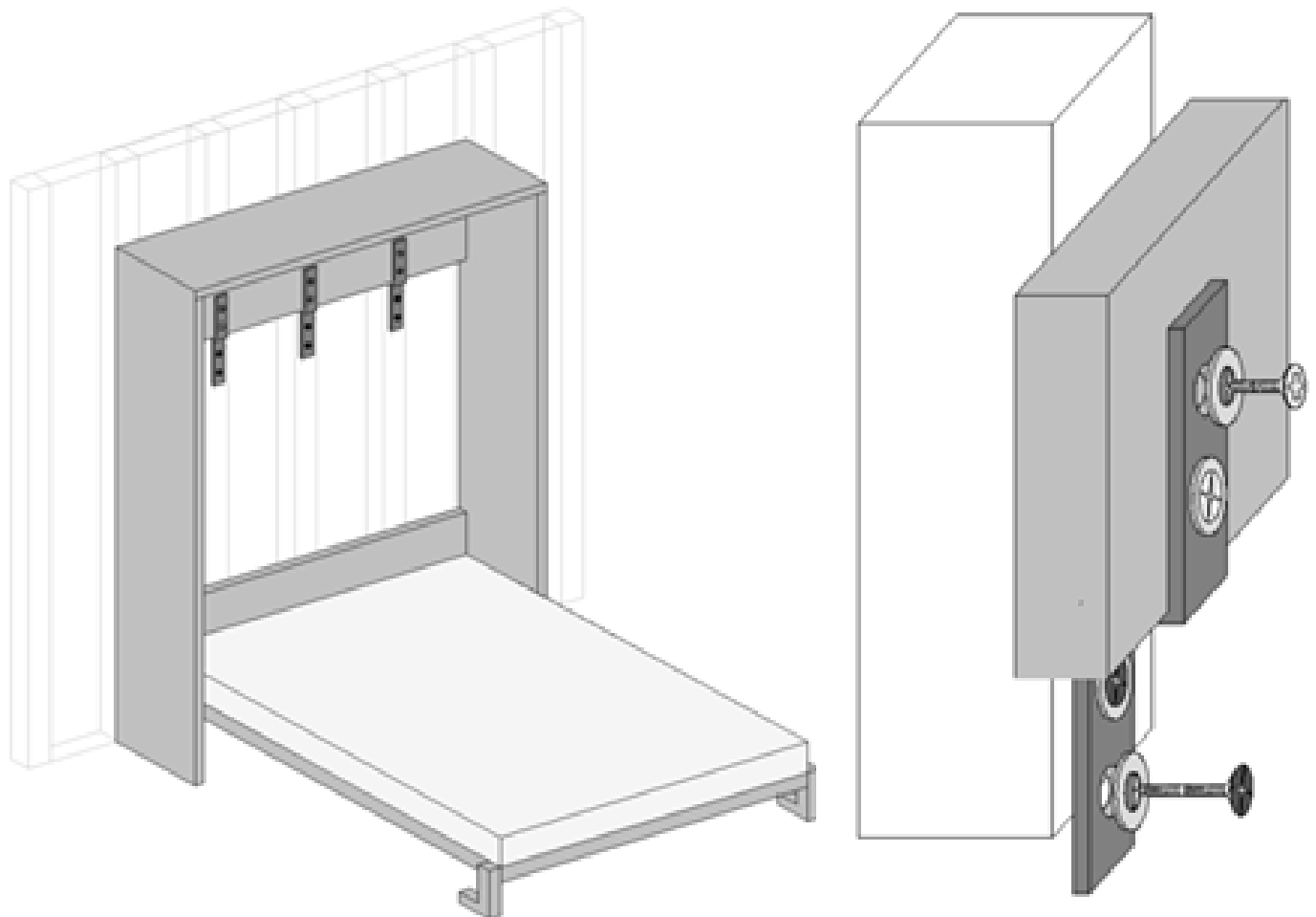
* 2.) A step ladder (not provided) is needed to attach the L-Brackets to the wall, at the Top of the Murphy Bed. **DO NOT** lean against the Top of the Murphy Bed, it may cause sagging.

Murphy Bed Style A

L-Bracket Fixture to Wood Studs



Z-Bracket Fixture to Wood Studs



D.) IDENTIFICATION of TOOLS and ATTACHMENT SKILL.

The parts and components to assemble the Bed Frame are stated in the Assembly Instructions. Follow the instructions with attention.

For an efficient assembly, after opening the cartons shipped to you :

- a.) open and layout all parts and components in sequence;
- b.) account for every part, hardware and component;
- c.) then lay out the parts close to each other;

Assemble and tighten each bolt / nut / screw up to 80% to allow for the Bed Frame and Bed Cabinet to be HELD together.

Upon FINAL assembly where all the parts and components are FITTED precisely, in a sequential manner - proceed to tighten each bolt & nut & screw gradually.

CAUTION :

- 1.) **The METAL PLATES to the sides of the Side Rails - MUST BE FULLY and SECURELY TIED to the SIDE RAILS.**
- 2.) **The Piston L-Brackets that are attached to the INNER WALL of the Bed Cabinet - MUST BE FULLY and SECURELY TIED to these Inner Walls.**
- 3.) **These Metal Plates and the L-Brackets - are the components that are holding the Pistons that allow your Bed to “travel” to an OPEN or CLOSED position.**
- 4.) **Frequent Inspections of these Metal Plates / Brackets and Pistons Bolts, up to Once a Month - to ascertain these DO NOT BECOME LOOSE. For if these bolts to the Bed Frame and or Bed Cabinet or Pistons are loose, may cause the BED FRAME to become DISLODGED and cause injuries.**

REMINDER : NEVER FULLY TIGHTEN any screw / nut or bolt in one session. If you DO TIGHTEN the hardware all the way into the core of the wood, this cause the parts to become skewed that would impact other parts of the item not being able to be aligned to its mounting points for assembly.

E. ALL ASSEMBLY WORKS REQUIRES A TEAM OF NO LESS THAN 4 ADULTS.

Reminder : Per above info, the cartons and products are heavy - therefore exercise CAUTION at all times and ENSURE YOUR TEAM OF 4 for the entire ASSEMBLY.

F.) ASSEMBLY of BED FRAME.

Identify all parts and components for the Bed Frame.

Assemble the Bed Frame according to the Assembly Instructions.

Upon completion of assembly of the Bed Frame, make a final inspection that all joints and parts are fully and securely attached.

Then place this assembled Bed Frame horizontally flat on the ground, some 10feet away, so as to allow room for the assembly of the Bed Cabinet.

G.) ASSEMBLY OF BED CABINET.

Identify all parts and components for the Bed Cabinet.

Assemble the Bed Cabinet according to the Assembly Instructions.

Upon the completion assembly of the Bed Cabinet, make a final inspection that all joints and parts are fully and securely attached.

CLEAR all debris in the area where your Murphy Bed is going to be attached to the wall.

Move this **FULLY ASSEMBLED BED CABINET** and position this **BED CABINET** some 2feet to 3 feet away from the designated Wall, where you have previously made markings.

SAFETY REMINDER - The Cabinet is NOT ATTACHED TO THE WALL, YET. From here on - YOU MUST HAVE 2 ADULT to HOLD and STABILISE this BED CABINET, to prevent the Bed Cabinet from TIPPING OVER.

H. ATTACHMENT OF BED FRAME TO BED CABINET.

Safety Reminder : DO ENSURE the 2 adult persons holding the Bed Cabinet is IN POSITION ALL THE TIME.

The other 2 adults shall lift and carry the Bed Frame and attach to the L-Bracket - at the inner walls of the Bed Cabinet.

Thereafter, gently LIFT THE Bed Frame to a CLOSED POSITION.

I.) ATTACHMENT OF PISTONS TO HOLD & SUPPORT BED CABINET TO BED FRAME.

The Murphy Bed, is now still placed at 2feet to 3feet, from the wall.

The 2 adults, upon attachment the Bed Frame to the Bed Cabinet, shall get the Pistons, and move to the back of the Murphy Bed. Both persons shall - then attach the Pistons to the Bed Frame and Bed Cabinet.

You may need to - LIGHTLY slide forward-backward to adjust and create gap space so as to enable the Pistons to be hooked to both ends of the hanging bolts in the Inner Wall of the L-BRACKET

Fully Secure and Tighten these Bolts at each end of the Pistons.

J.) Attachment of Safety Latches.

Upon completion of Step I above, ensure the entire structure of Bed Frame to Cabinet is fully and securely attached as ONE UNIT - affix the Safety Latches.

These Latches are to be reachable by Adults Only. Thus, the minimum height shall be no less than 5feet (1.5m) from ground.

K.) POSITIONING THE MURPHY BED INTO ITS FINAL POSITION.

At this juncture, the Murphy Bed is ASSEMBLED BUT NOT AS A FULL & COMPLETE piece of furniture AND NOT FUNCTIONAL AS A BED YET, as it is NOT SECURED TO THE WALL.

DO NOT ATTEMPT TO OPEN THE MURPHY BED AND OR TEST SLEEP AND OR LIE-INTO the Murphy Bed.

ALL 4 (four) adults shall now move the entire Murphy Bed to the FINAL DESIGNATED Position, matching to the previously marked "SCREW-IN" positions in the walls.

L) ATTACHMENT OF MURPHY BED TO WALL.

With the Murphy Bed now in its final designated spot, 2 adult persons shall continue to hold down the entire Murphy Bed.

REMINDER : FOLLOW the INSTRUCTIONS from your Professional Consultant / Contractor.

Position the Ladder (where necessary) and FULLY & SECURELY turn in the BOLTS or SCREWS into the CONCRETE WALL or WOODEN STUDS or STEEL STUDS.

SEQ	Bed Description	Bed Size	Details.
1	Single/Twin(XL)	~38*75/80~ inches	Attach at least 2 pieces of L or Z Hardware onto the Wall or Studs;
2	Full	54*75inches	Install at least 3 pieces of L or Z Hardware onto the Wall or Studs;
3	Queen	60*80inches	Install at least 3 pieces of L or Z Hardware onto the Wall or Studs;
4	King	76*80inches	Install at least 4 pieces of L or Z Hardware onto the Wall or Studs;
5	Other Bed Size		Other Bed Sizes - seek advice from your Contractor

Recommended Mattress weight (77)lb or (35)kg / Recommended Mattress thickness (8)in or (20)cm - Your Murphy Bed is made having taken into consideration the Bed Frame Weight and Mattress weight to pair with the Pistons Newton Force.

Therefore, load your bed with the RECOMMENDED MATTRESS Weights, Size and Thickness as stated here in the assembly instructions.

DO NOT LOAD any heavier and or LARGER and or LIGHTER Mattress than what is recommended here.

M.) MATTRESS PLACEMENT.

Only after the Murphy Bed is FULLY SECURED to the wall, the 2 adult persons who are holding down the entire Murphy Bed, can now be released for this action.

Have 1 to 2 persons - place equal strengths to the handles and gently and securely, PULL DOWN the Bed Frame until the Bed Frame is horizontally and level to the ground.

Have the other 2 persons - carry and place the Mattress (**within the recommended weight and thickness**) and gently place the Mattress on to the Bed Frame.

N) PISTON NEWTON-LOAD STRENGTH.

You are hereby reminded that when the BED FRAME is EMPTY OF MATTRESS, the Bed Frame may NEED a STRONGER force to be pulled down before you can place the Mattress.

This RESISTANCE to be PULLED DOWN is a normal characteristics of the Pistons Newton-Load force is "in action".

O) BED STRAP - GUIDE STRAP

Your Murphy Bed may or may not come equipped with a Bed Strap.

This Bed Strap serves as a GUIDE STRAP to help you lift the Bed Frame some 6 inches or so off its resting position. Then use both hands to FULLY LIFT HOIST the Bed Frame to its closing position.

SAFETY REMINDER :

- 1.) DO NOT USE THE BED STRAP to PULL DOWN TO OPEN the BED FRAME from its CLOSED POSITION.**
- 2.) DO NOT USE THE BED STRAP to PULL-LIFT-HOIST the BED FRAME from the OPENED-HORIZONTAL position, to the CLOSED POSITION.**

Both the above may cause injury and or unnecessary strain to your arm(s).

P.) USING YOUR MURPHY BED.

For EVERY USE - exercising Safety Precautionary Measures to ensure the safety of your family members and pets **are IMPORTANT.**

Therefore, PRIOR TO OPENING / PRIOR TO CLOSING OF YOUR MURPHY BED - Make sure all Children / Non Ambulatory Persons and Pets are at bay.

KEEP CHILDREN and NON-AMBULATORY persons from Unlatching the Safety Latches.

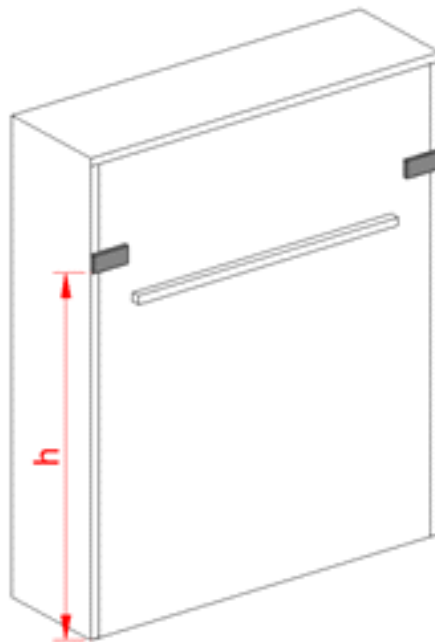
Q.) CAUTION : DO NOT BE DISTRACTED During EVERY OPENING and CLOSING of your Murphy Bed.

Every time you Pull to OPEN the Murphy Bed from its closed position OR Lift-Pull to CLOSE the Murphy Bed to stow it into the Bed Cabinet -

- give these actions your focused and dedicated attention.
- **DURING EVERY OPENING and CLOSING of your Murphy Bed** - always ensure you have an Adult Partner close by for added assistance, where necessary.
- **DO NOT OVER EXERT ADDED FORCE to OPEN the Bed or to CLOSE the Bedframe.** For if you do, the resistance of the Piston will only make it harder for you to complete the task.
- **TO CLOSE the Murphy Bed** : depending on your height - stand some 6 inches to 10 inches away from the FootBoard edge. Use both your hands and place both hands at about equal distance from the middle of the Bed Frame, spaced at 2 to 3 feet between your hands - GENTLY LIFT-PULL to Close your Murphy Bed.
- **TO OPEN the Murphy Bed** : using equal force - place your hands to the installed grab handle and GENTLY PULL towards you to Open. **As you pull Open the Murphy Bed - proceed to move backwards, slowly and steadily, so as to give way to the Murphy Bed's OPEN Position.**

- During **EVERY OPENING or CLOSING** of the Murphy Bed - at about your hip level - you may find that you need to rotate your hand / wrist - take caution here to prevent injury.
- During EVERY OPENING and CLOSING, keep Children and Pets and Non Ambulatory Persons at bay.
- **NEVER** allow your children to treat this Murphy Bed as a Hide and Seek place of fun or jump on the bed.
- **Care & Maintenance** - Depending on the frequency of use of your Murphy Bed, it is recommended that you take precautionary Care and Maintenance. It is advisable to conduct **NO LESS THAN 2 to 3 checks annually** on these mounting points & pistons to ensure that these are securely bolted. Where necessary, use a vacuum cleaner to clear all dust and then wipe down with a damp cloth, then proceed with your maintenance work.

Safety Latches - Your Murphy Bed comes with two (2) Safety Latches. These are to be attached at both the **TOP LEFT** and **TOP RIGHT** hand upper portion, **minimum of 5 feet (1.5m) from ground**, of the Bed Frame / Bed Cabinet. Monitor and Inspect these frequently.



- Whenever NOT in use and after the Murphy Bed has been LIFTED and stowed in its **CLOSED POSITION** - **ALWAYS LATCH UP**.

Frequently Asked Questions.

Malfunctioned Pistons.

How do you know when the Murphy Bed's Piston has malfunctioned?

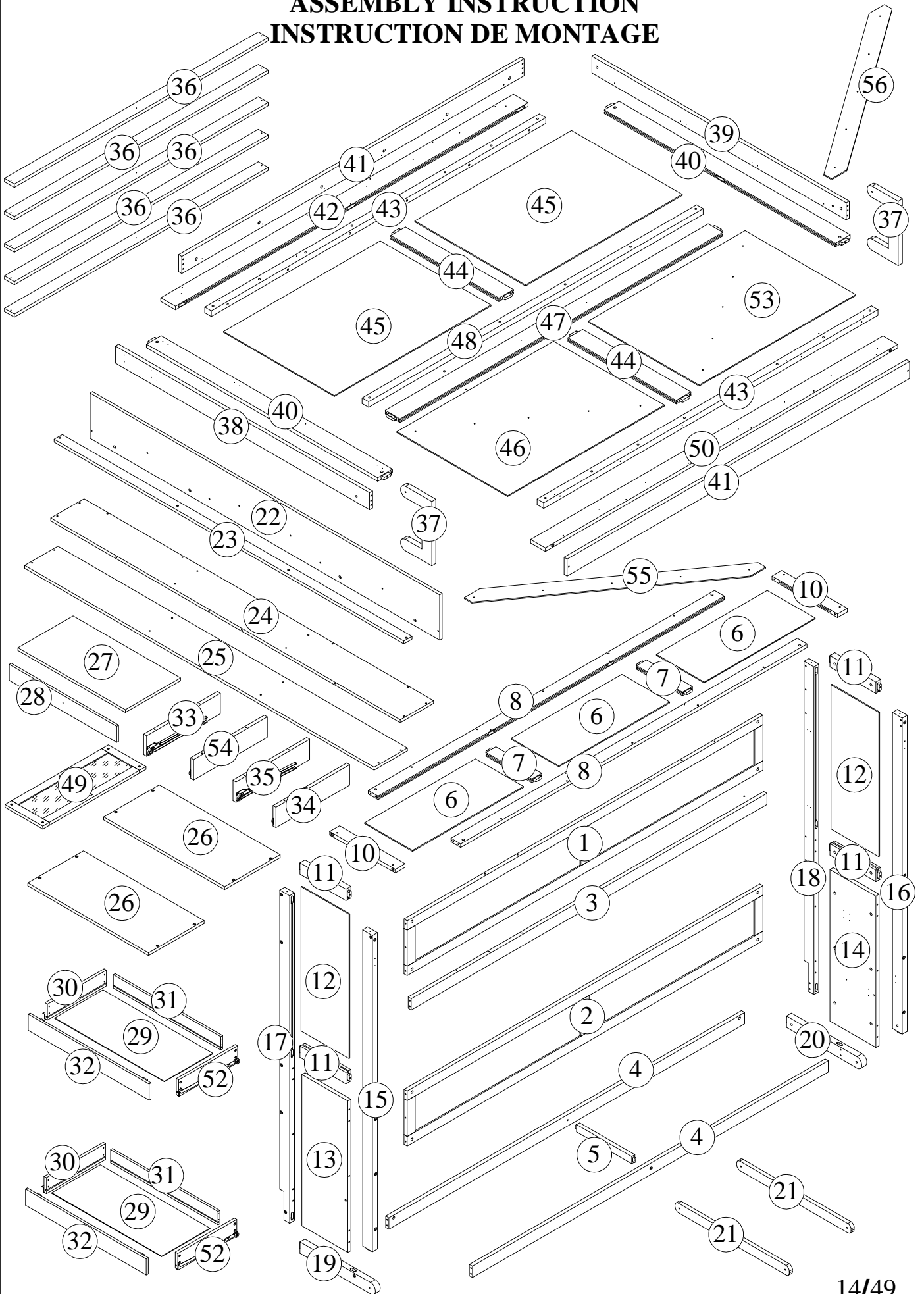
It would be quite evident in that :

- a.) the Bed Frame may become **LOPSIDED** and
- b.) the Lift-PULL force to **CLOSE** may be "heavier" than before.

IMMEDIATELY - STOP USING YOUR MURPHY BED.

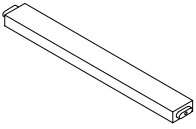
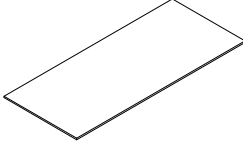
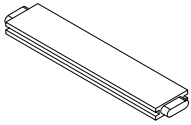

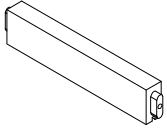
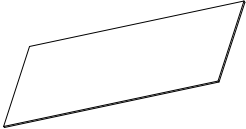
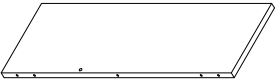
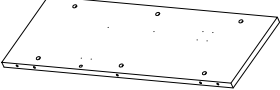
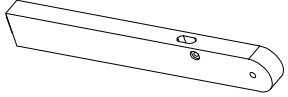
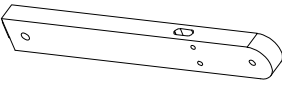
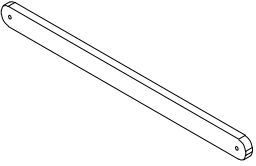
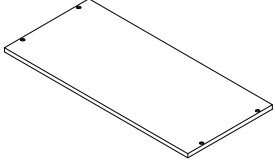
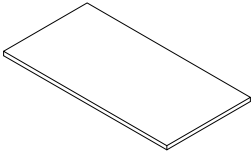
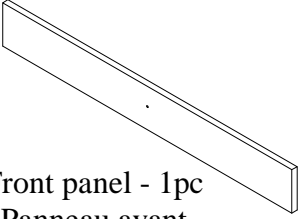
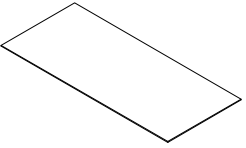
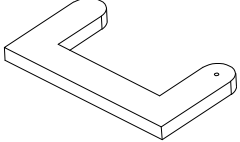
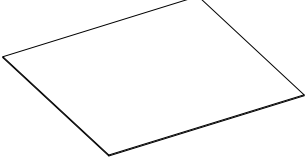
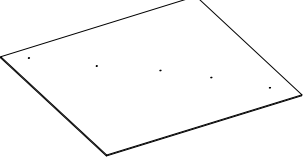
SEEK and CONSULT professional maintenance service to ascertain the problem and repair and or have the pistons changed.

ASSEMBLY INSTRUCTION INSTRUCTION DE MONTAGE



Part List (Box 1)

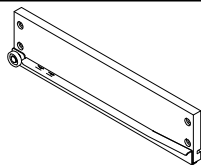
Liste des pièces

<p>5</p>  <p>Cross bar - 1pc Traverse</p>	<p>6</p>  <p>Top panel - 3pcs Panneau supérieur</p>	<p>7</p>  <p>Center top bar - 2pcs Barre supérieure centrale</p>
<p>44</p>  <p>Center cross bar - 2pcs Barre transversale centrale</p>	<p>11</p>  <p>Cross bar - 4pcs Traverse</p>	<p>12</p>  <p>Side panel - 2pcs Panneau latéral</p>
<p>13</p>  <p>Lower side panel - 1pc Panneau latéral inférieur</p>	<p>14</p>  <p>Lower side panel - 1pc Panneau latéral inférieur</p>	<p>19</p>  <p>Bottom bar - 1pc Barre inférieure</p>
<p>20</p>  <p>Bottom bar - 1pc Barre inférieure</p>	<p>21</p>  <p>Rotary bar - 2pcs Barre rotative</p>	<p>26</p>  <p>Shelf panel - 2pcs Panneau d'étagère</p>
<p>27</p>  <p>Top panel - 1pc Panneau supérieur</p>	<p>28</p>  <p>Front panel - 1pc Panneau avant</p>	<p>29</p>  <p>Bottom drawer panel - 2pcs Panneau inférieur du tiroir</p>
<p>37</p>  <p>Wooden leg - 2pcs Pied en bois</p>	<p>45</p>  <p>Panel - 2pcs panneau</p>	<p>46</p>  <p>Panel - 1pc panneau</p>

Part List (Box 1)

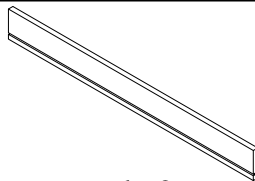
Liste des pièces

30



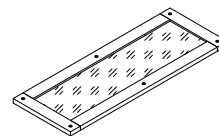
Left side drawer - 2pcs
Tiroir latéral gauche

31



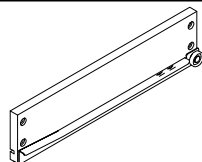
Back drawer panel - 2pcs
Panneau arrière du tiroir

49



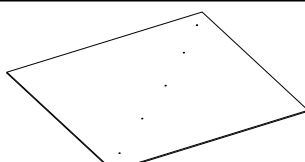
Mirror frame - 1pc
Cadre de miroir

52



Right side drawer - 2pcs
Tiroir côté gauche


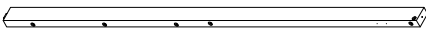
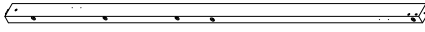

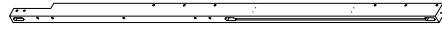
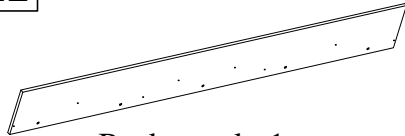

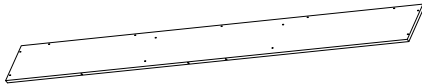

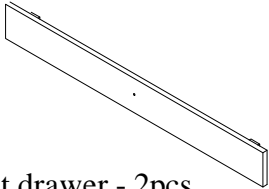
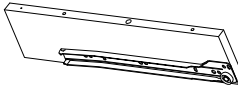
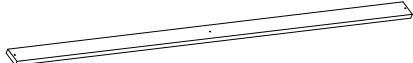


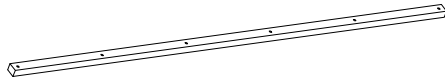
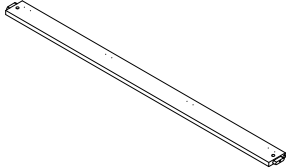


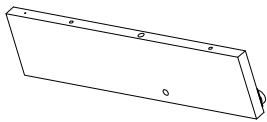
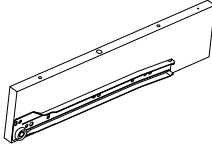
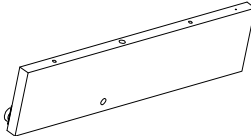
53



Panel - 1pc
panneau

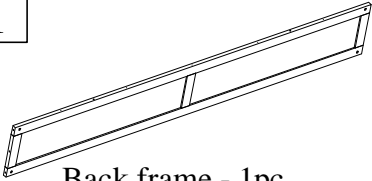
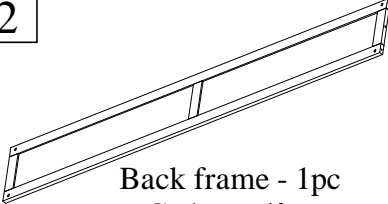
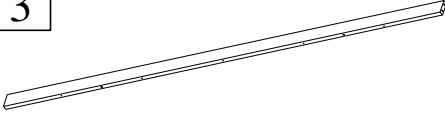
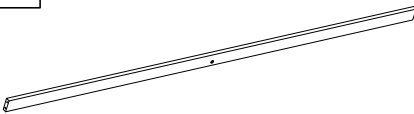
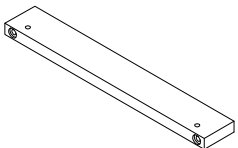
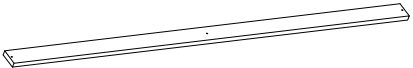
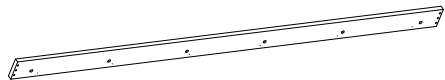


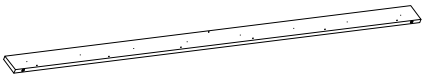



Part List (Box 2)

Liste des pièces

<p>8</p>  <p>Cross bar-2pcs Traverse</p>	<p>15</p>  <p>Wooden leg - 1pc Pied en bois</p>	<p>16</p>  <p>Wooden leg - 1pc Pied en bois</p>
<p>17</p>  <p>Wooden leg - 1pc Pied en bois</p>	<p>18</p>  <p>Wooden leg - 1pc Pied en bois</p>	<p>22</p>  <p>Back panel - 1pc Panneau arrière</p>
<p>23</p>  <p>Cross bar-1pc Traverse</p>	<p>24</p>  <p>Bottom panel - 1pc Panneau inférieur</p>	<p>25</p>  <p>Bottom panel - 1pc Panneau inférieur</p>
<p>32</p>  <p>Front drawer - 2pcs Façade de tiroir</p>	<p>54</p>  <p>Left center panel - 1pc Panneau du centre gauche</p>	<p>36</p>  <p>Slats - 2pcs Lattes</p>
<p>38</p>  <p>Side rail - 1pc Traverse latérale</p>	<p>39</p>  <p>Side rail - 1pc Traverse latérale</p>	<p>48</p>  <p>Center support rail-1pc Rail de support central - 1 pc</p>
<p>40</p>  <p>Cross bar-1pc Traverse</p>	<p>43</p>  <p>support rail - 1 pc Rail de support - 1 pc</p>	<p>47</p>  <p>Center vertical bar - 1pc Barre verticale centrale</p>
<p>34</p>  <p>Left side panel - 1pc Panneau côté gauche</p>	<p>35</p>  <p>Right center panel - 1pc Panneau du centre droit</p>	<p>33</p>  <p>Right side panel - 1pc Panneau côté droit</p>

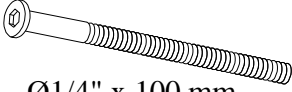

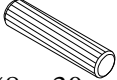

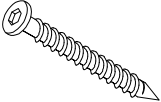
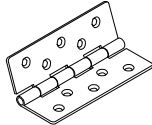
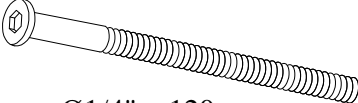
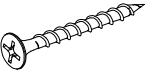
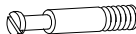

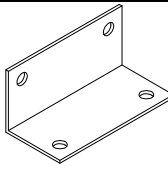
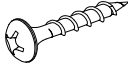
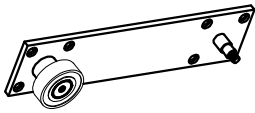
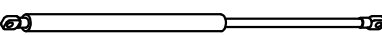
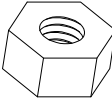
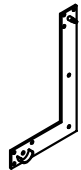

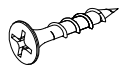
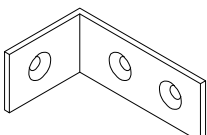
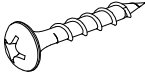
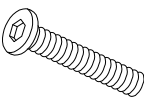


Part List (Box 3)

Liste des pièces

<p>1</p>  <p>Back frame - 1pc Cadre arrière</p>	<p>2</p>  <p>Back frame - 1pc Cadre arrière</p>	<p>3</p>  <p>Cross bar-1pc Traverse</p>
<p>4</p>  <p>Cross bar-2pcs Traverse</p>	<p>10</p>  <p>Side top bar - 2pcs Barre supérieure latérale</p>	<p>36</p>  <p>Slats - 3 pcs Lattes</p>
<p>41</p>  <p>Side rail - 2pcs Traverse latérale</p>	<p>42</p>  <p>Side vertical bar - 1pc Barre verticale latérale</p>	<p>43</p>  <p>support rail - 1 pc Rail de support - 1 pc</p>
<p>50</p>  <p>Side vertical bar - 1pc Barre verticale latérale</p>	<p>40</p>  <p>Cross bar-1pc Traverse</p>	<p>55</p>  <p>Decoratve trim-1pc Garniture décorative</p>
<p>56</p>  <p>Decoratve trim-1pc Garniture décorative</p>		


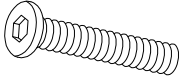

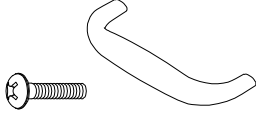
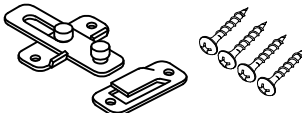
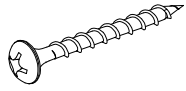
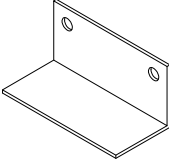
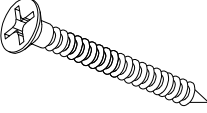
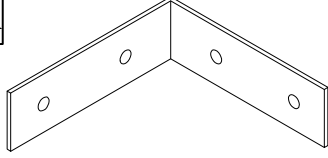

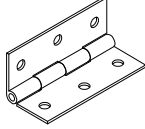
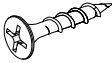
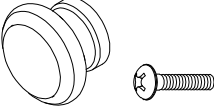
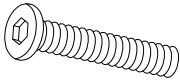
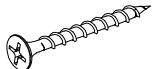
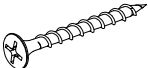
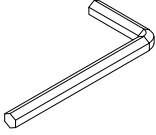
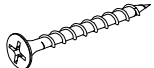
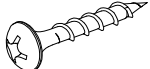
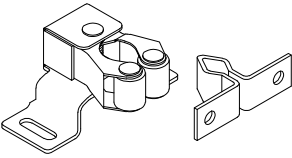
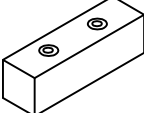
Hardware List (Box 1)

Liste du matériel

<p>A</p>  <p>Ø1/4" x 100 mm Hex-Head bolts 26pcs Boulons à tête hexagonale 26 pièces</p>	<p>B</p>  <p>Ø1/4" x 12 mm Horizontal-Hole bolts 55pcs Boulons à trous horizontaux</p>	<p>C</p>  <p>Ø8 x 30 mm Wood dowel 42pcs Cheville en bois 42 pièces</p>
<p>D</p>  <p>Ø1/4" x 70 mm Hex-Head bolts 16pcs Boulons à tête hexagonale</p>	<p>E</p>  <p>Screws 1/4" x 35 40pcs Vis-40pcs</p>	<p>F</p>  <p>Hings 4pcs Charnières 4 pièces</p>
<p>G</p>  <p>Ø1/4" x 120 mm Hex-Head bolts 4pcs Boulons à tête hexagonale 4 pièces</p>	<p>H</p>  <p>M4 x 30 mm Wood Screws 4pcs Vis à bois 4 pièces</p>	<p>I</p>  <p>Cam Bolt-20pcs Boulon à came - 20 pièces</p>
<p>J</p>  <p>Cam Lock-20pcs Serrure à came - 20 pièces</p>	<p>K</p>  <p>Angle Metal - 8pcs Angle en métal - 8 pièces</p>	<p>L</p>  <p>M4 x 15 mm Wood Screws 40pcs Vis à bois 40 pièces</p>
<p>M</p>  <p>Metal straight link-2pcs Maillon droit en métal - 2 pièces</p>	<p>N</p>  <p>Piston -2pcs Piston - 2 pièces</p>	<p>O</p>  <p>Nut-4pcs Écrou - 4 pièces</p>
<p>P</p>  <p>Metal corner link-1pc Lien d'angle en métal - 1 pièce</p>	<p>Q</p>  <p>Metal corner link-1pc Lien d'angle en métal - 1 pièce</p>	<p>R</p>  <p>M4 x 15 mm Wood Screws 84pcs Vis à bois 84 pièces</p>
<p>S</p>  <p>Angle Metal - 4pcs Angle en métal - 4 pièces</p>	<p>T</p>  <p>M4 x 20 mm Wood Screws 10pcs Vis à bois 10 pièces</p>	<p>U</p>  <p>Ø1/3" x 40 mm Hex-Head bolts 2pcs Boulons à tête hexagonale 2 pièces</p>
<p>CC</p>  <p>Screws 1/4" x 35 8pcs Vis-8pcs</p>	<p style="text-align: center;">Assembly Tools Required (Not Included)</p> 	

Hardware List (Box 1)

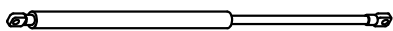
Liste du matériel

<p>V</p>  <p>Ø1/4" x 15 mm T-nut 4pcs Écrou en T 4 pièces</p>	<p>W</p>  <p>Ø1/4" x 40 mm Hex-Head bolts 4pcs Boulons à tête hexagonale 4 pièces</p>	<p>X</p>  <p>Ø20 / Ø6 x 2 mm Washer 4pcs Rondelle 4 pièces</p>
<p>Y</p>  <p>Handle - 2pcs Poignée - 2 pièces</p>	<p>Z</p>  <p>Metal link-2pcs Lien métallique - 2 pièces</p>	<p>AA</p>  <p>M4 x 30 mm Wood Screws 31pcs Vis à bois 31 pièces</p>
<p>BA</p>  <p>Angle Metal - 2pcs</p>	<p>CA</p>  <p>M5 x 50 mm Wood Screws 10pcs Vis à bois 10 pièces</p>	<p>DA</p>  <p>Angle Metal - 3pcs Angle en métal - 3 pièces</p>
<p>EA</p>  <p>Ø1/4" x 60 mm Hex-Head bolts 9pcs Boulons à tête hexagonale 9 pièces</p>	<p>FA</p>  <p>Hings 6pcs Charnières 6 pièces</p>	<p>GA</p>  <p>M3 x 12 mm Wood Screws 44pcs Vis à bois 44 pièces</p>
<p>HA</p>  <p>Wood Handle - 3pcs Manche en bois - 3 pièces</p>	<p>JA</p>  <p>Ø1/4" x 30 mm Hex-Head bolts 2pcs Boulons à tête hexagonale 2 pièces</p>	<p>KA</p>  <p>M4 x 25 mm Wood Screws 38pcs Vis à bois 38 pièces</p>
<p>QA</p>  <p>M4 x 40 mm Wood Screws 12pcs Vis à bois 12 pièces</p>	<p>LA</p>  <p>Allen Key 4pcs Clé Allen 4 pièces</p>	<p>PA</p>  <p>M4 x 35 mm Wood Screws 16pcs Vis à bois 16 pièces</p>
<p>SS</p>  <p>M3.5 x 12 mm Wood Screws 10pcs Vis à bois 10 pièces</p>	<p>SA</p>  <p>Roller catch 2pcs Verrou à roulettes 2 pièces</p>	<p>BB</p>  <p>15x15x50mm Wood stop Butée en bois - 2pcs</p>

Hardware List (Box 2)



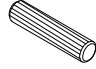

Liste du matériel

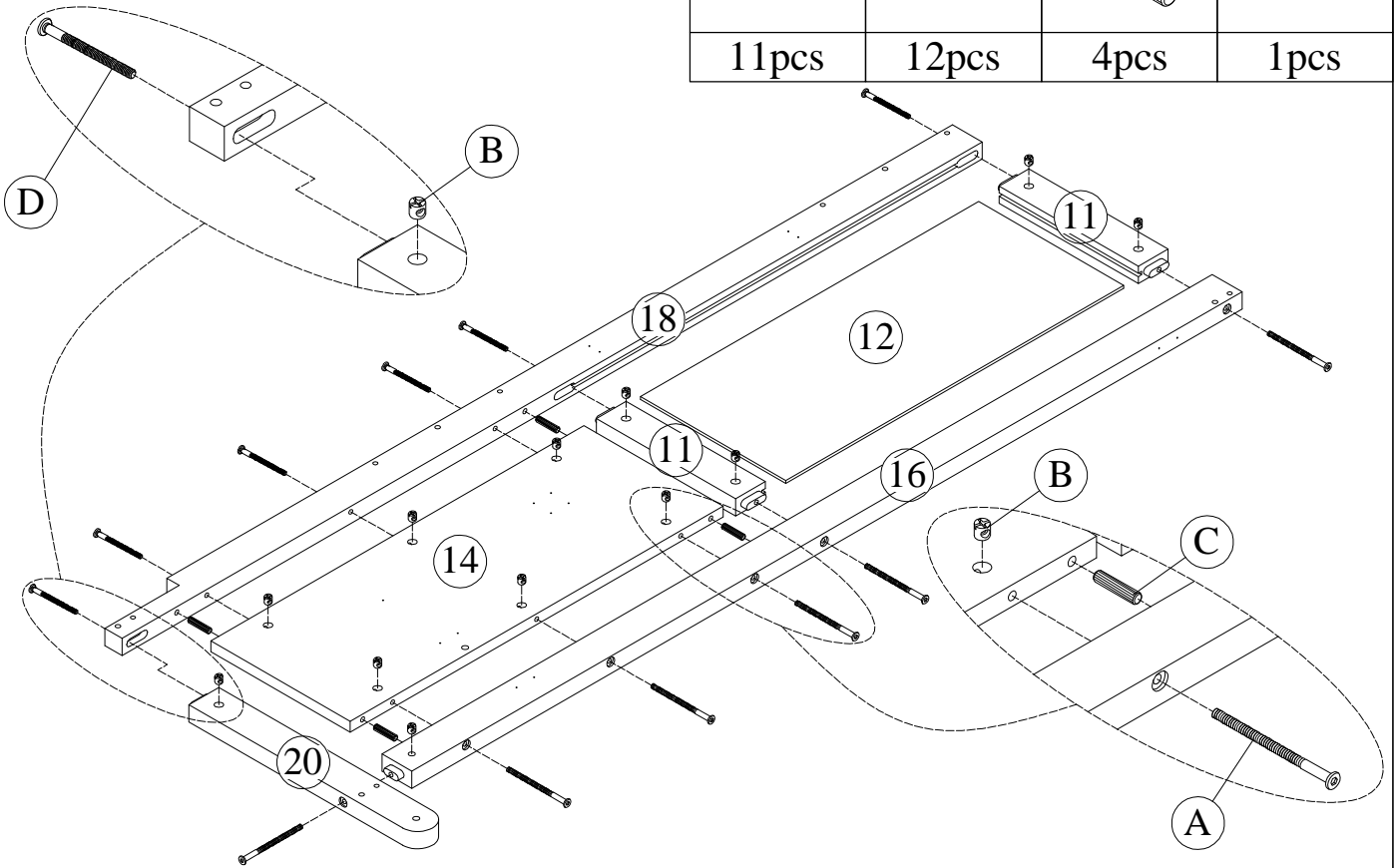
N





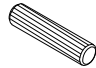

Piston -2pcs
Piston - 2 pièces

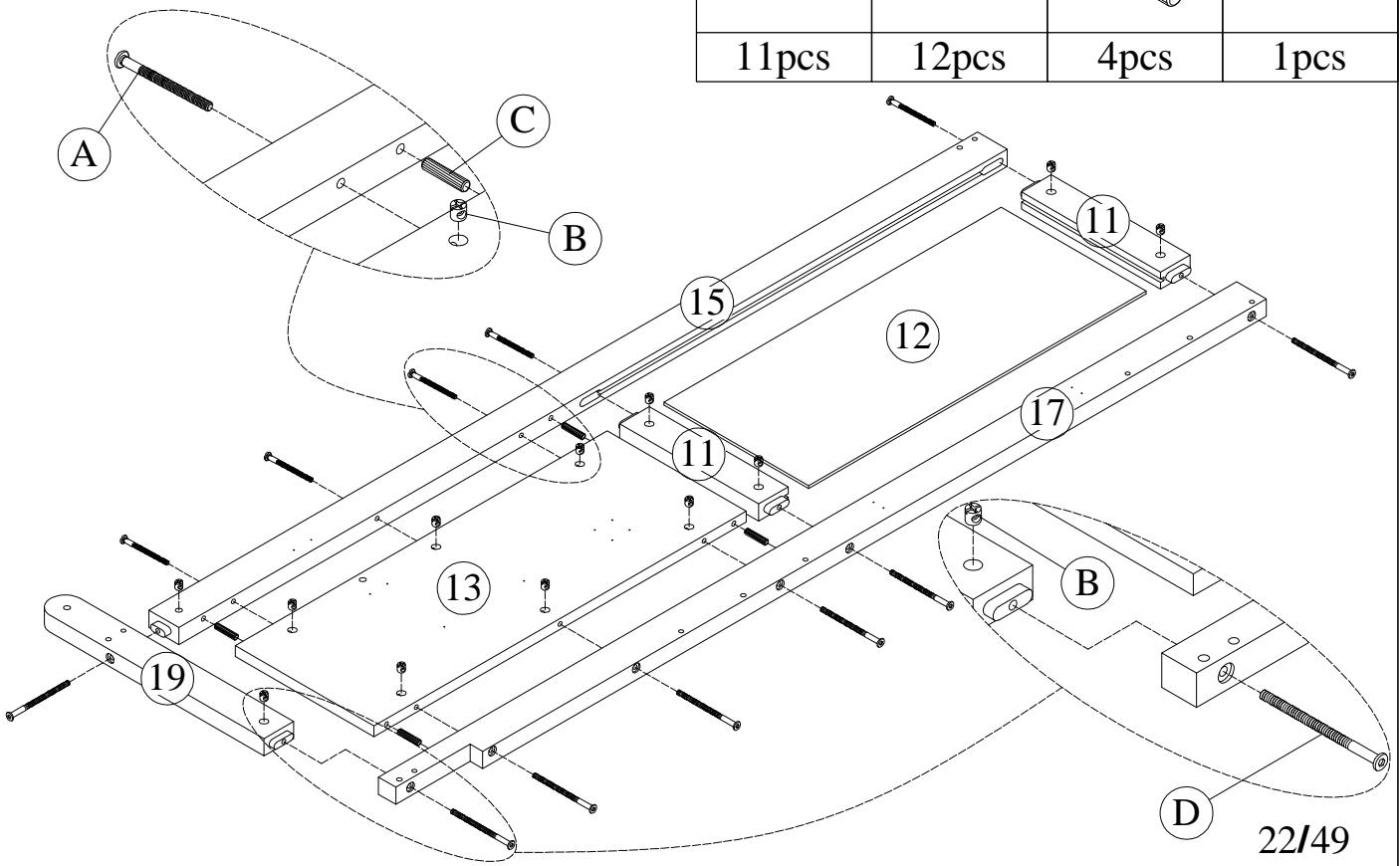
STEP-ÉTAPE-1

A	B	C	D
			
11 pcs	12 pcs	4 pcs	1 pcs

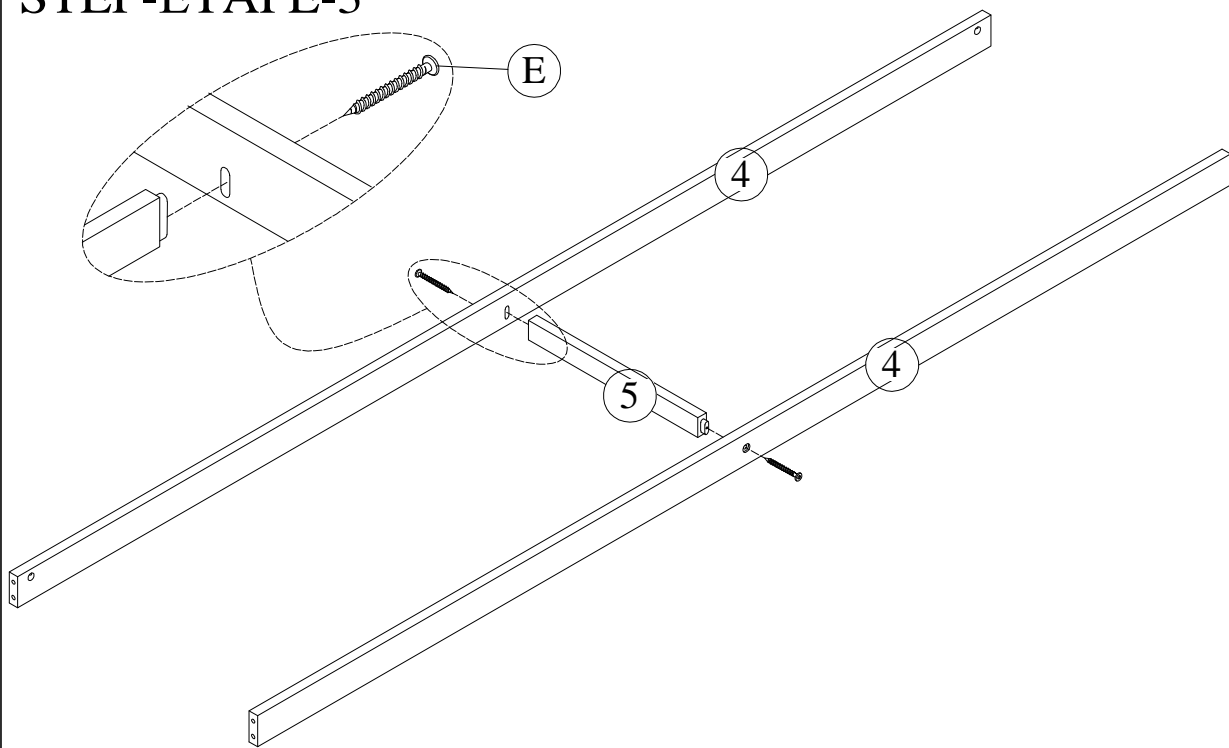


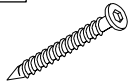
STEP-ÉTAPE-2

A	B	C	D
			
11 pcs	12 pcs	4 pcs	1 pcs



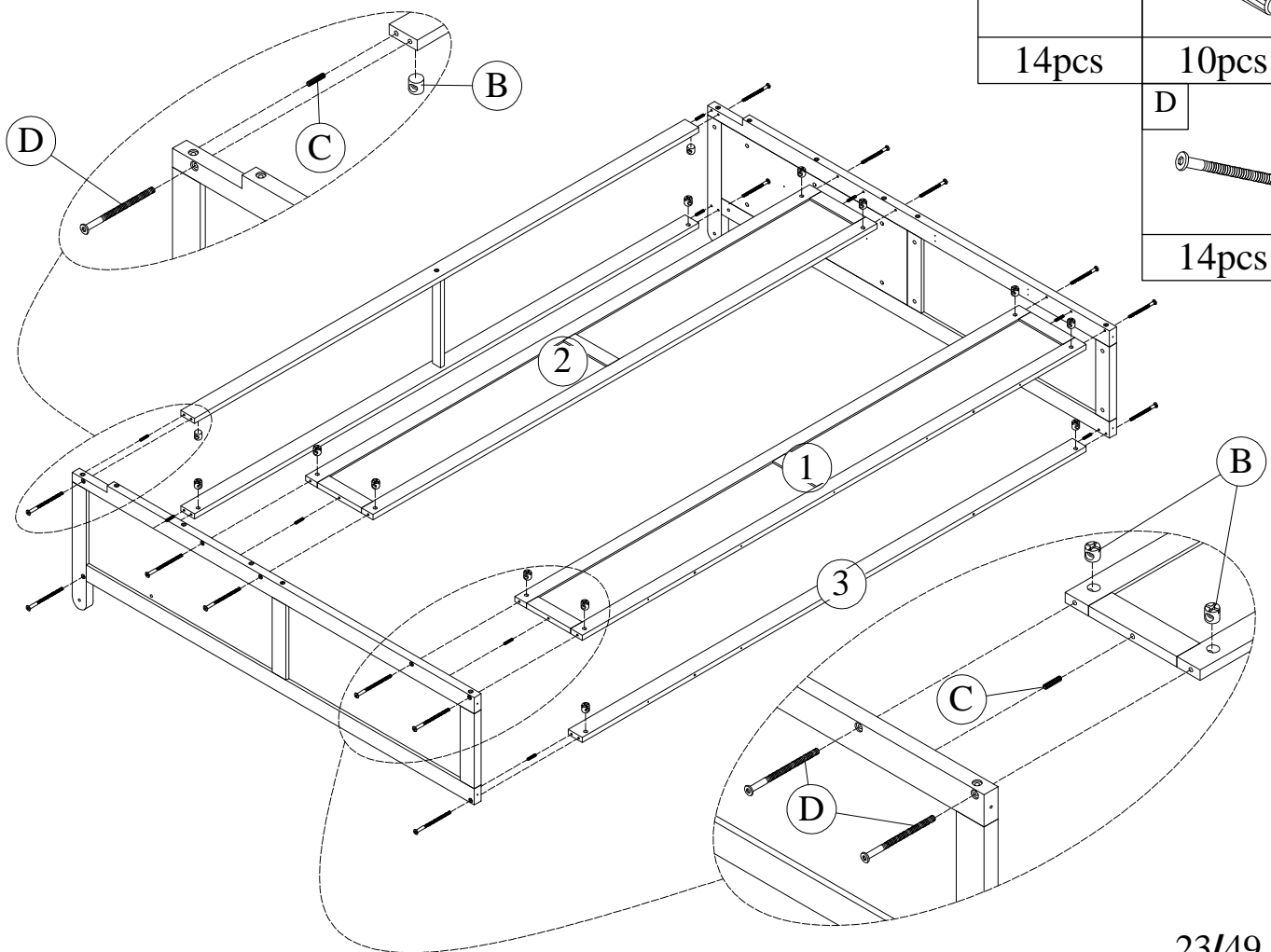
STEP-ÉTAPE-3


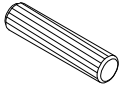



E	
2pcs	

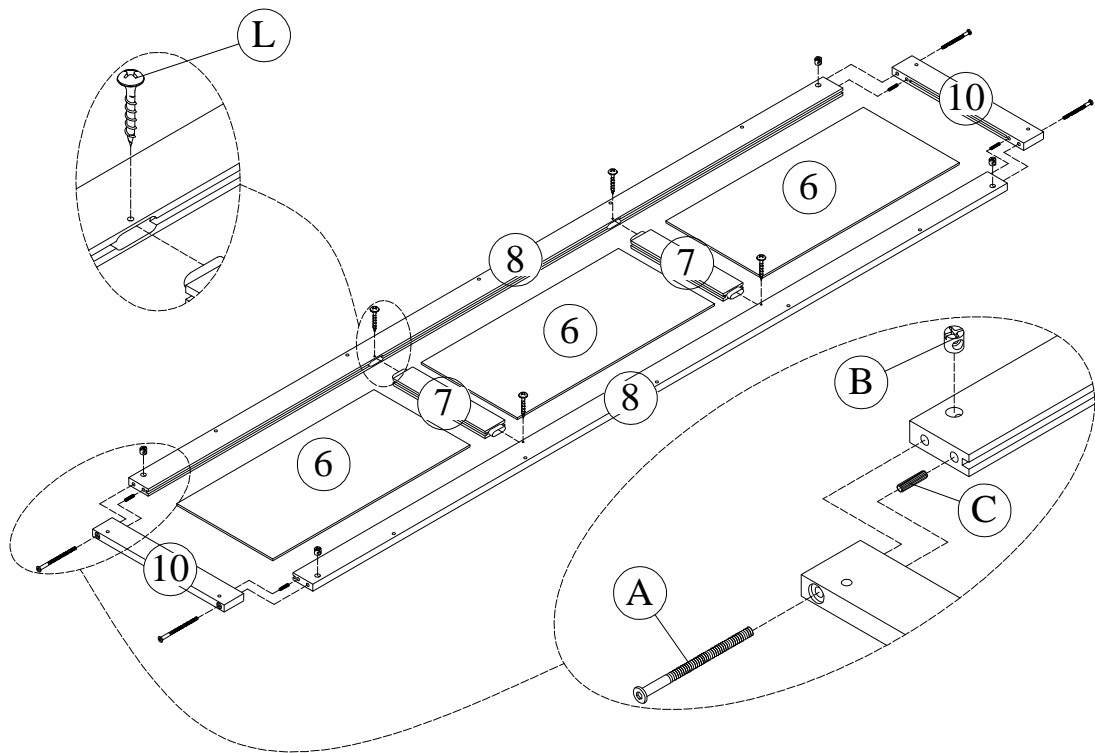
Installation video



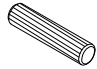

STEP-ÉTAPE-4



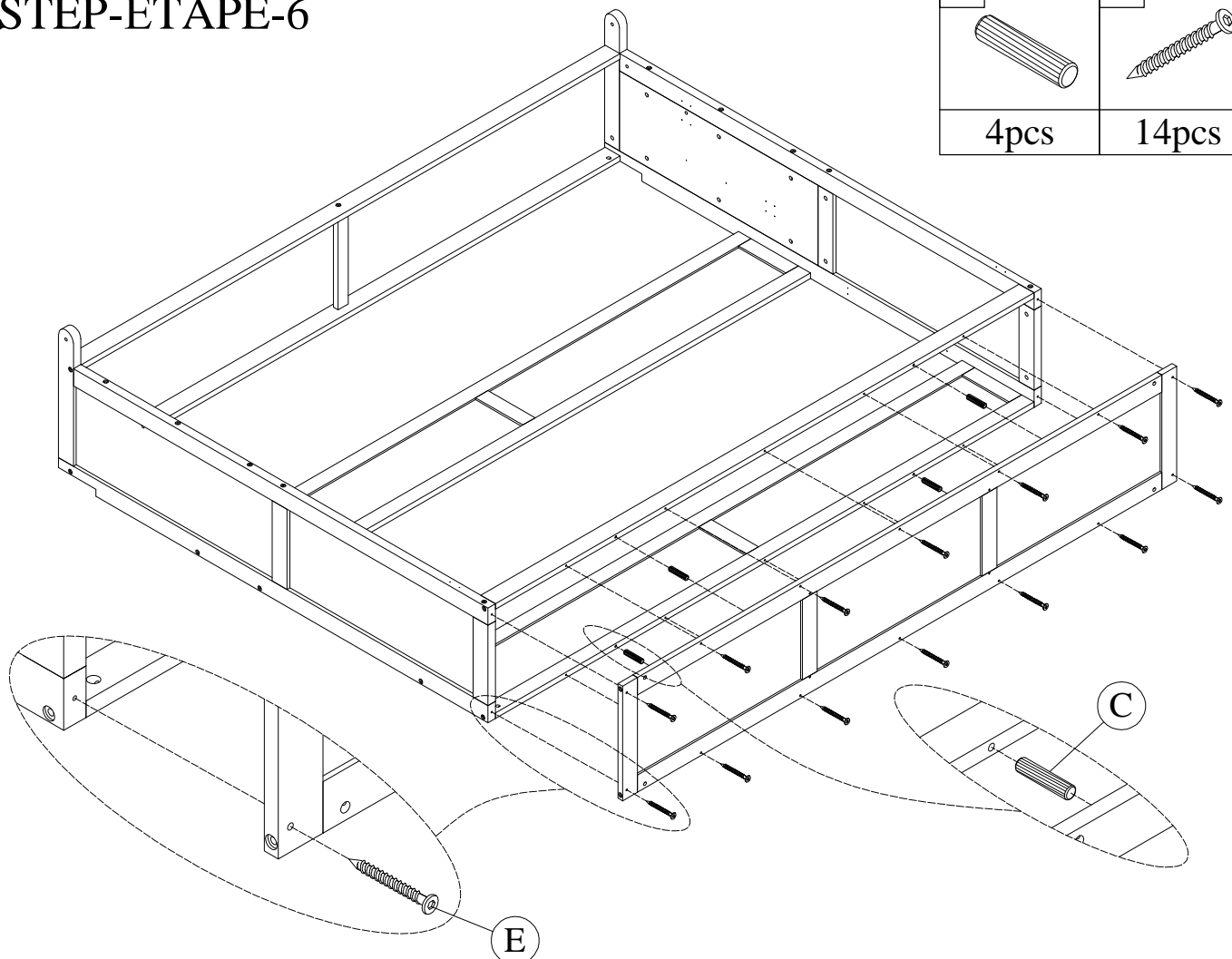
B		C	
14pcs		10pcs	
		D	
		14pcs	

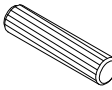
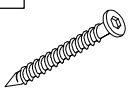
STEP-ÉTAPE-5



A	
4pcs	
B	
4pcs	
C	
4pcs	
L	
4pcs	

STEP-ÉTAPE-6



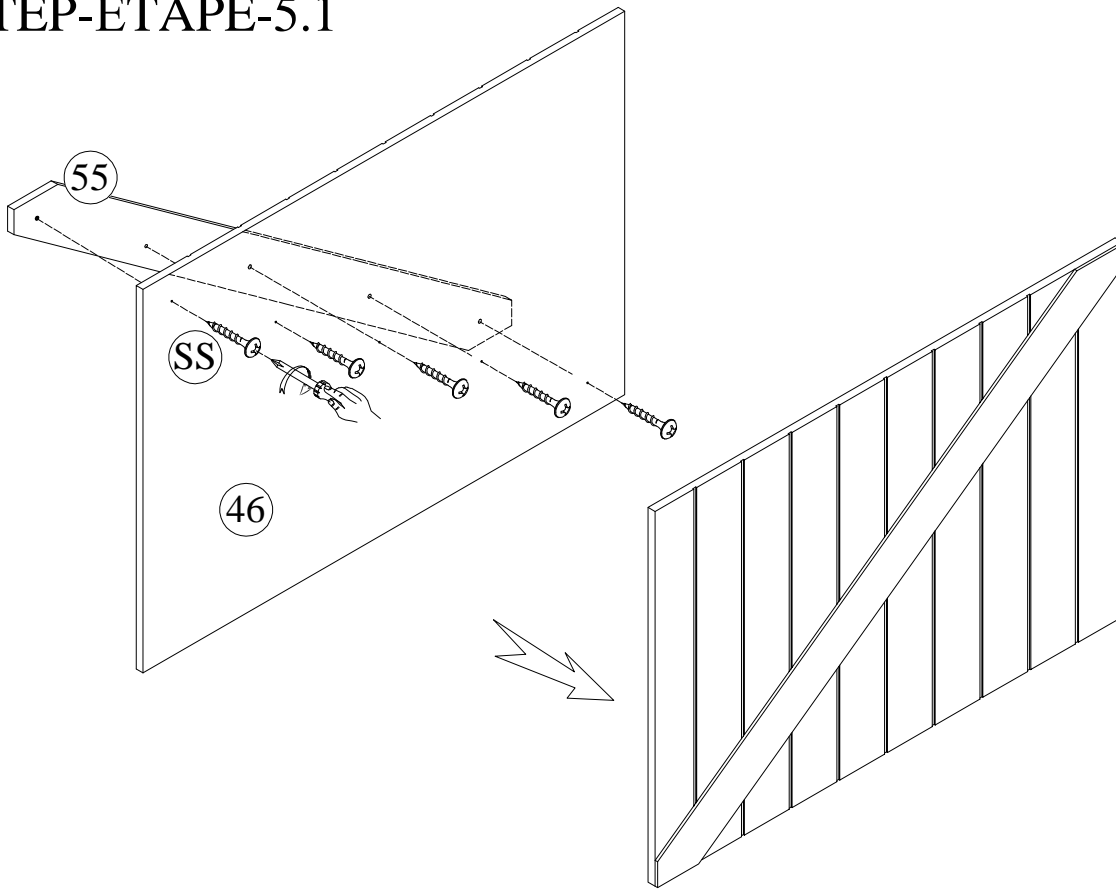
C	
4pcs	
E	
14pcs	

STEP-ÉTAPE-5.1

SS



5pcs

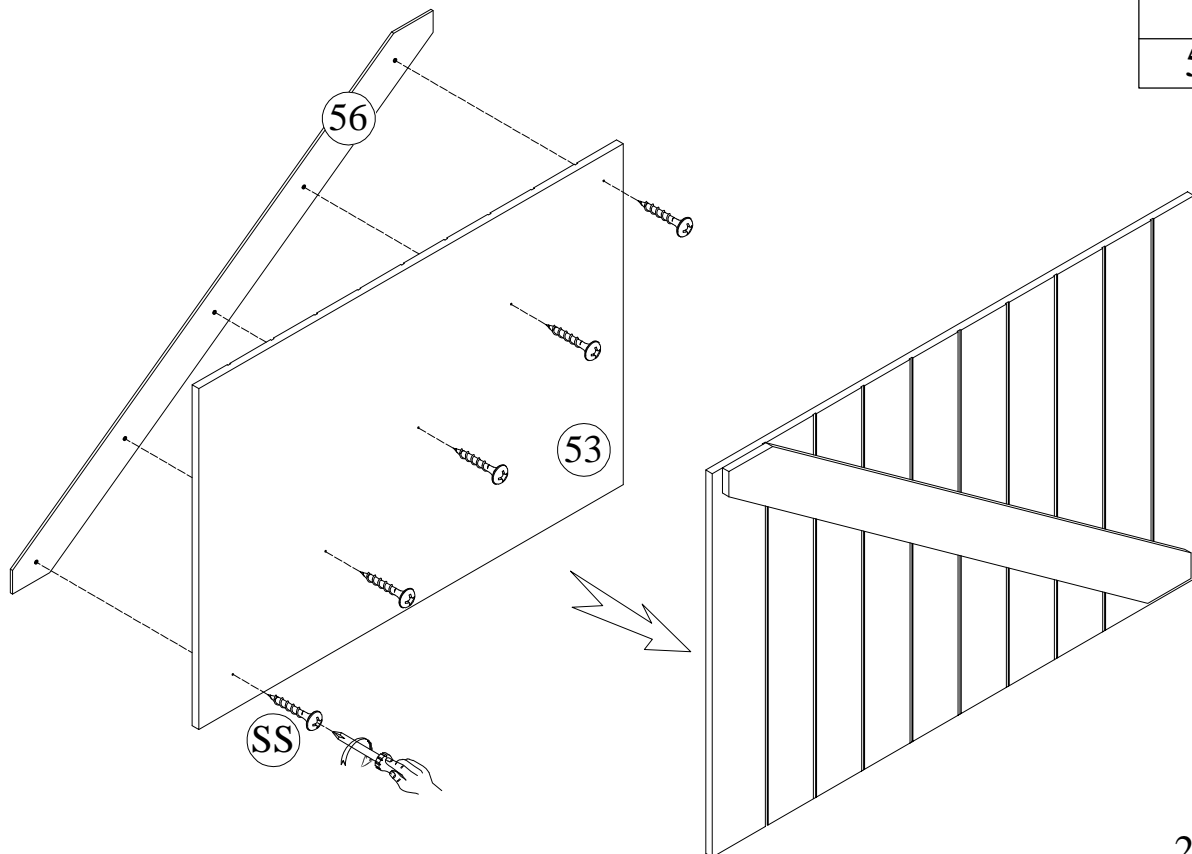


STEP-ÉTAPE-6.1

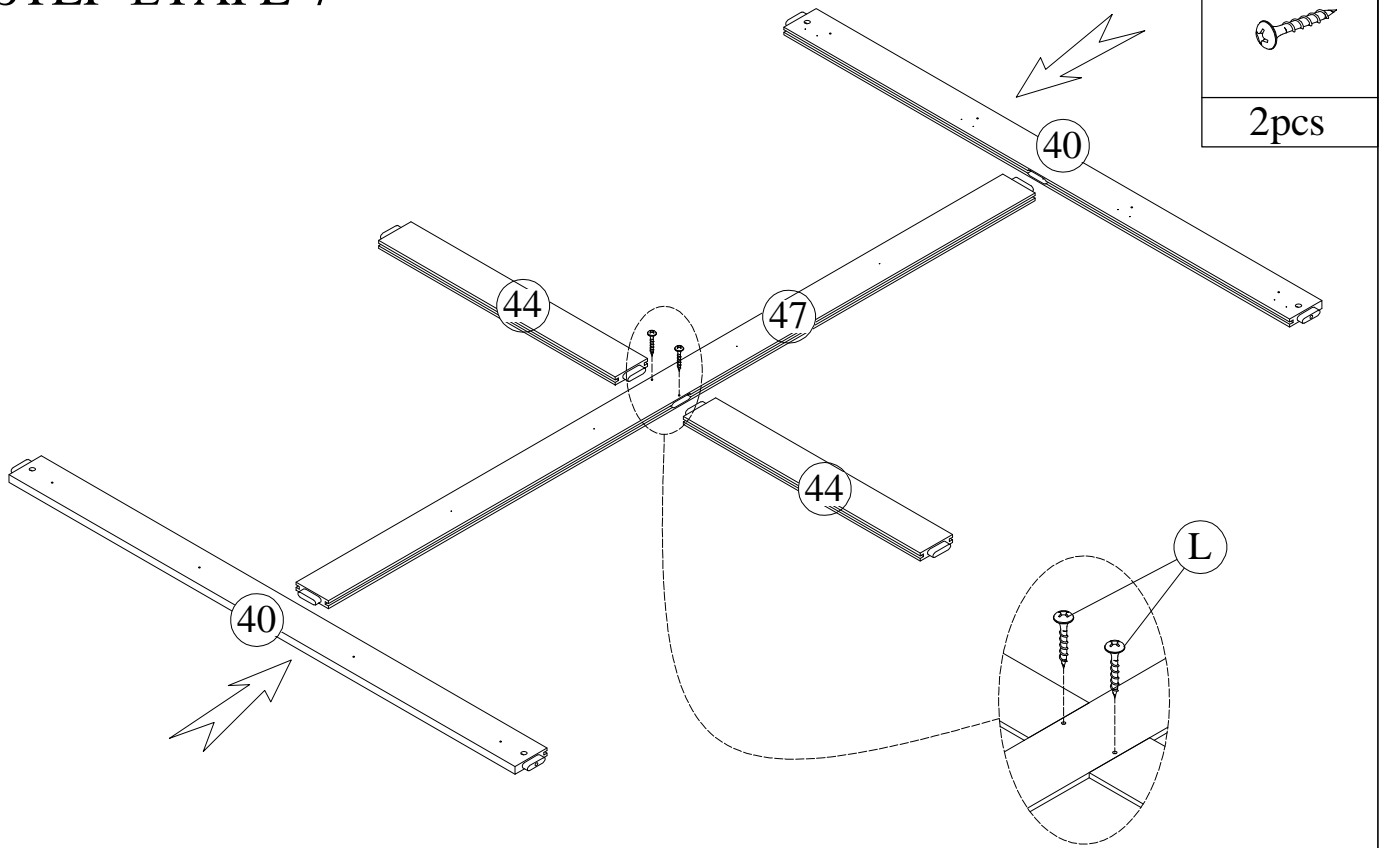
SS



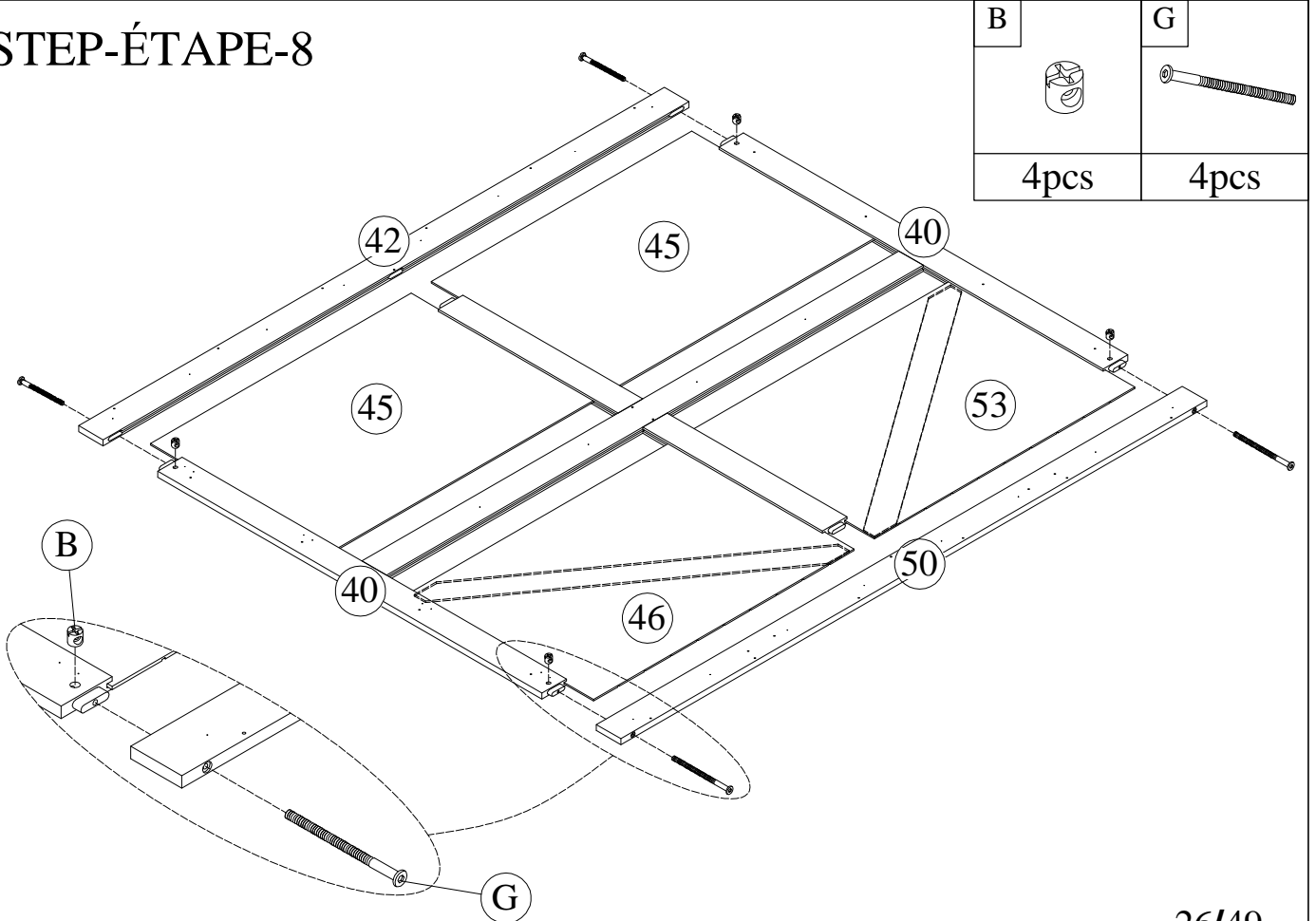
5pcs



STEP-ÉTAPE-7



STEP-ÉTAPE-8

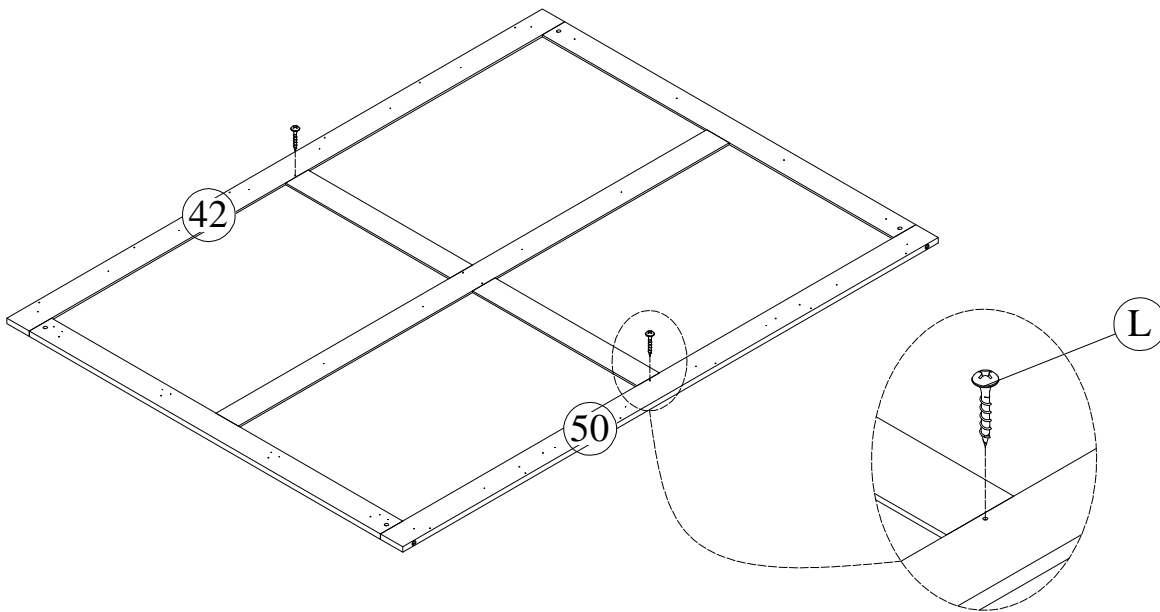


STEP-ÉTAPE-9

L



2pcs



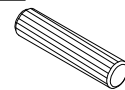
STEP-ÉTAPE-10

B



4pcs

C

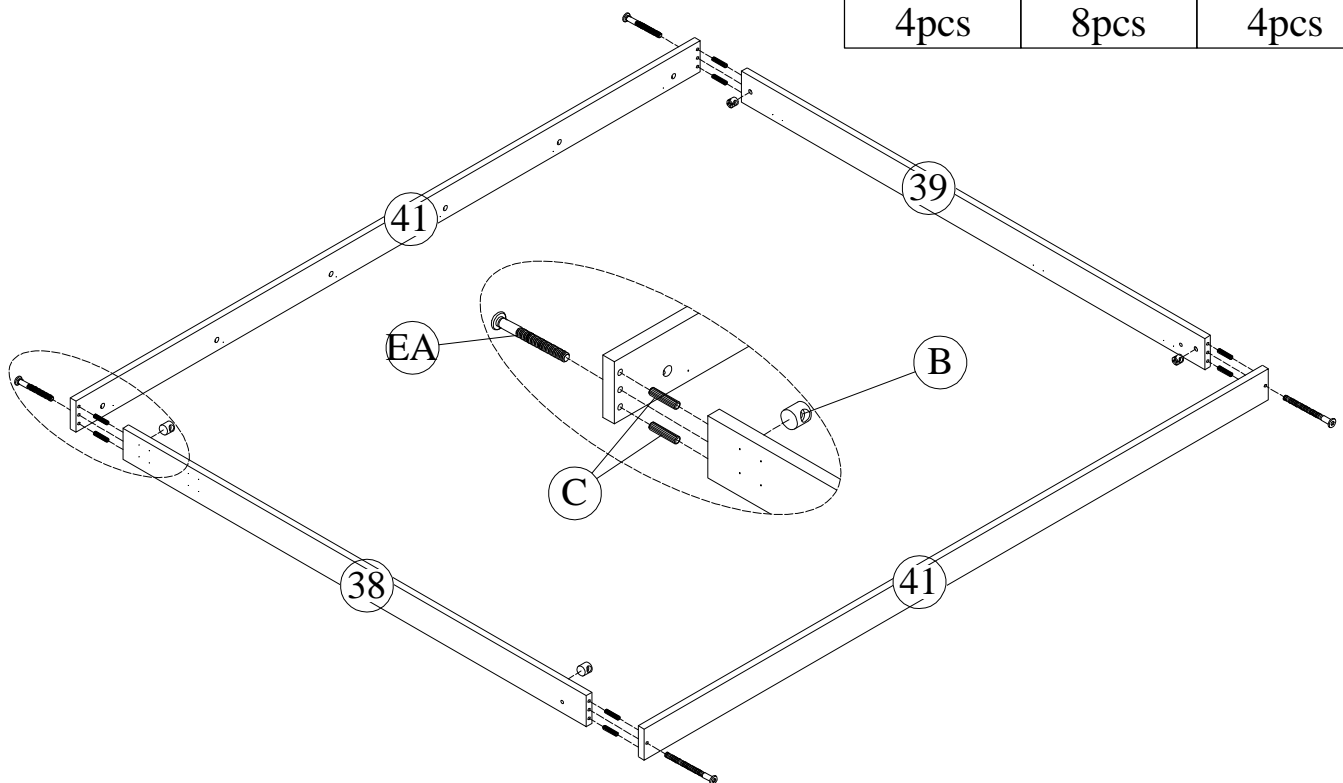


8pcs

EA



4pcs

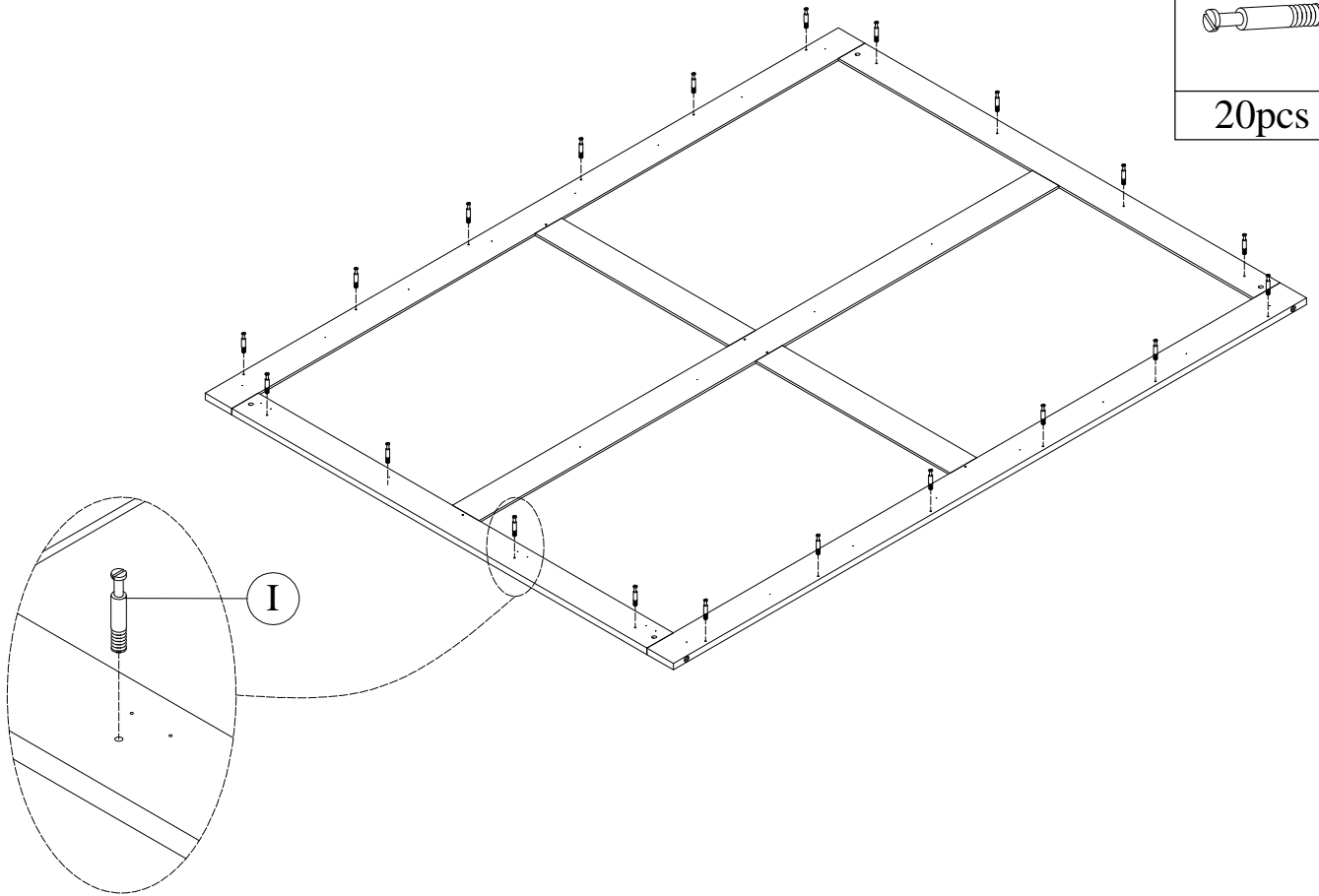


STEP-ÉTAPE-11

I



20pcs

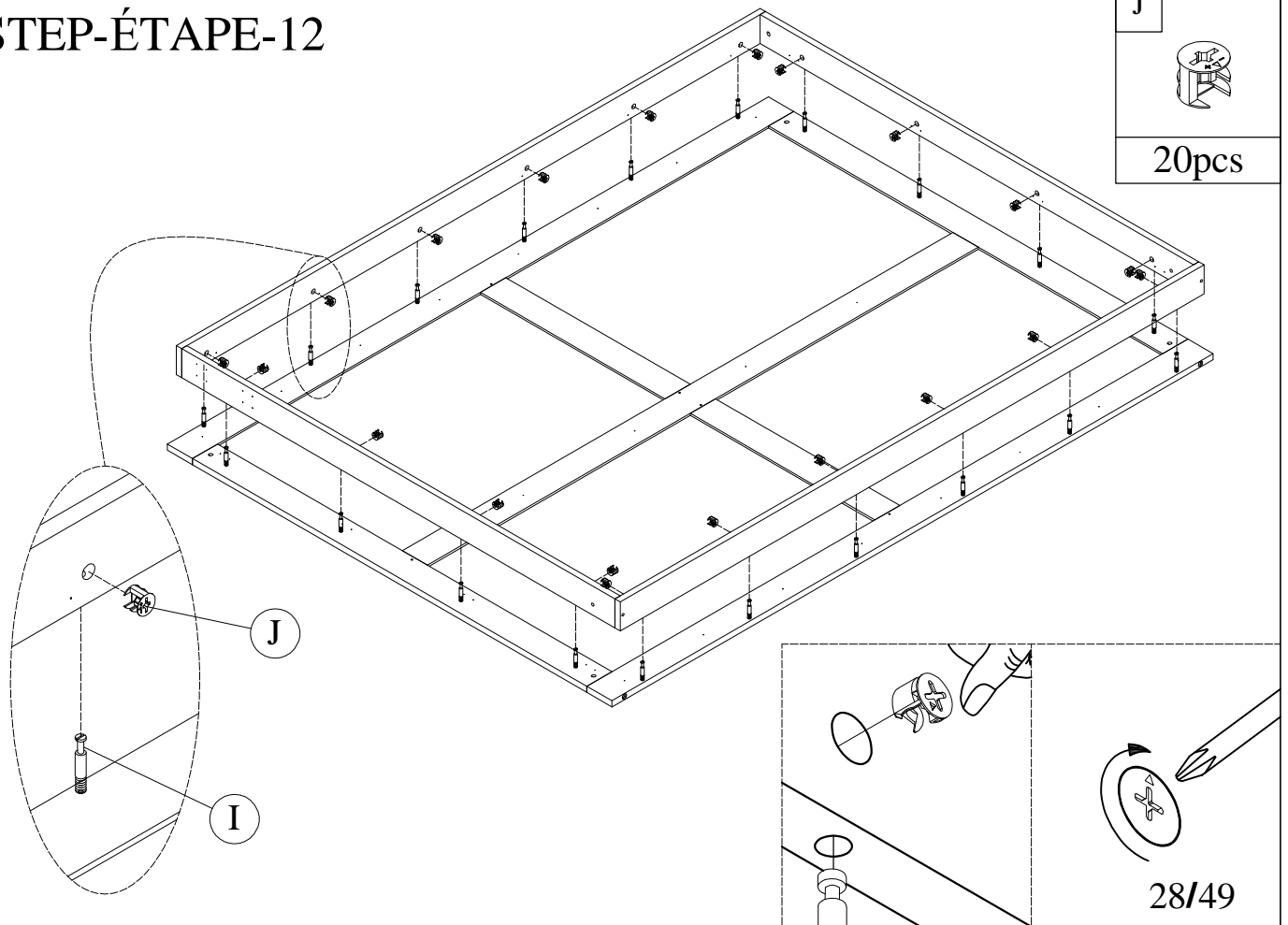


STEP-ÉTAPE-12

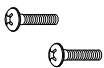
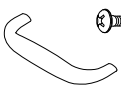
J

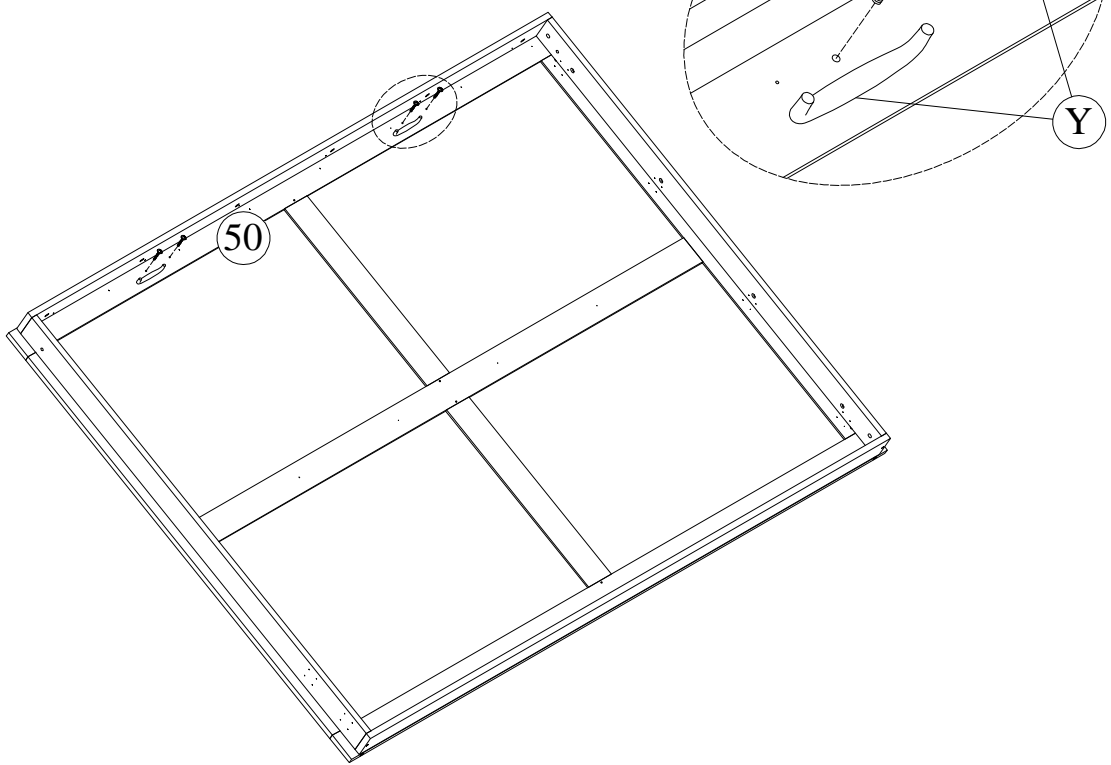


20pcs





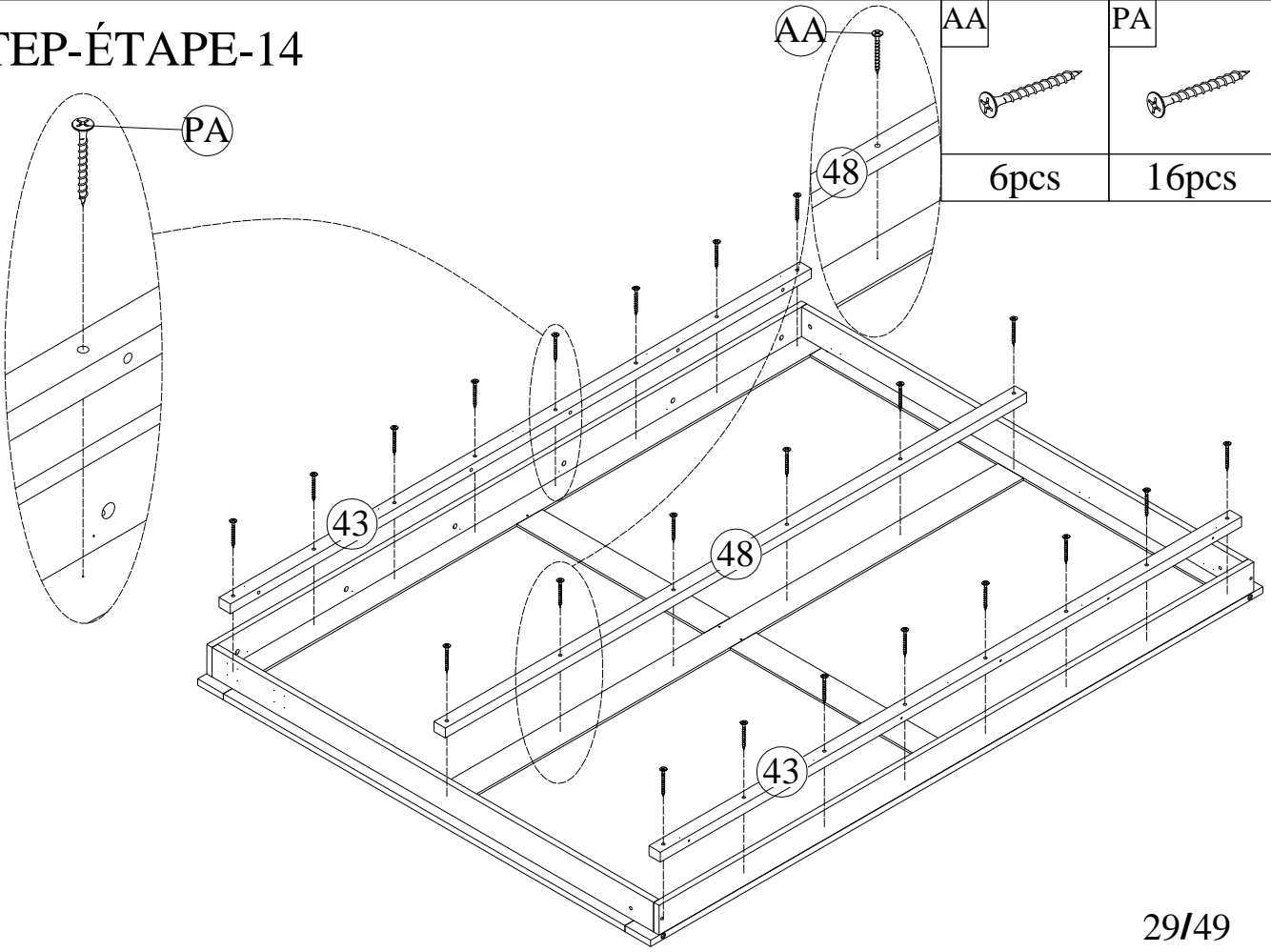
STEP-ÉTAPE-13

Y	
	
2pcs	


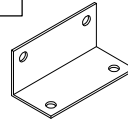
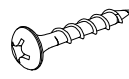


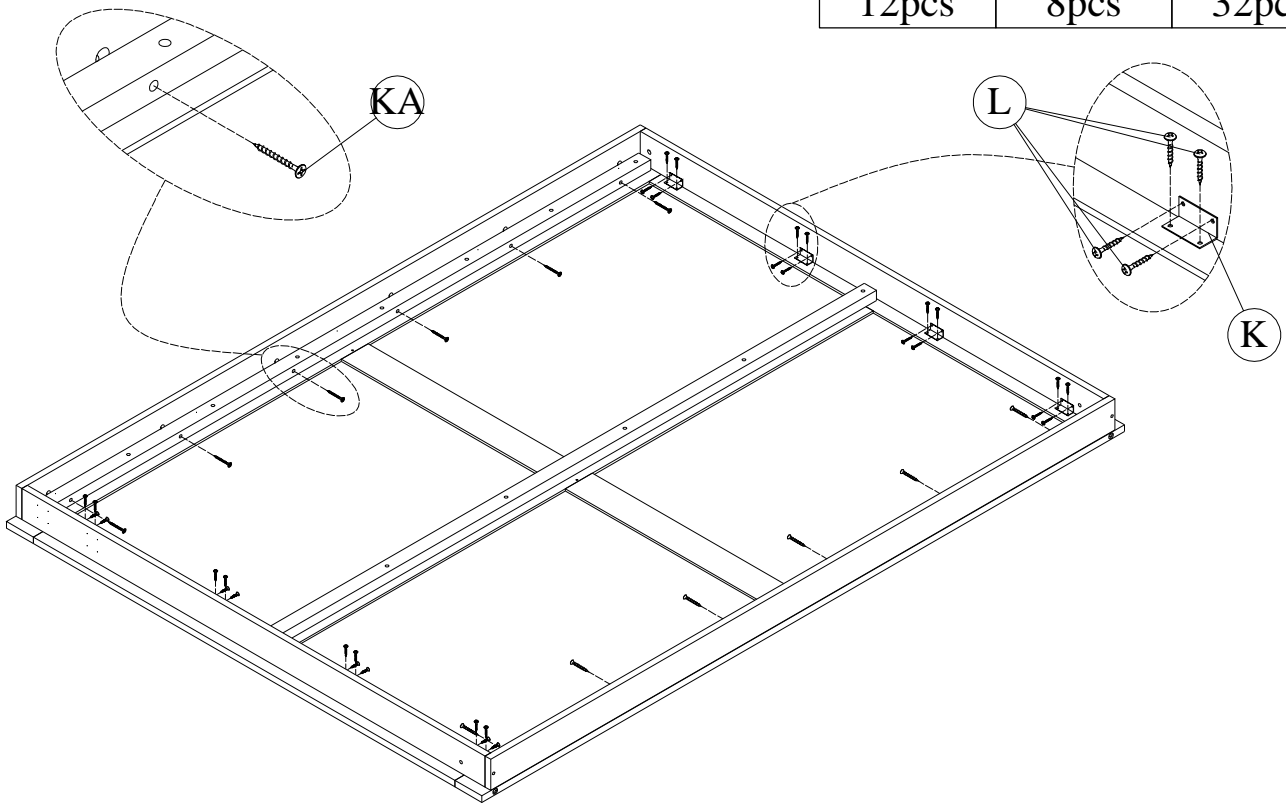
STEP-ÉTAPE-14

AA		PA	
6pcs		16pcs	




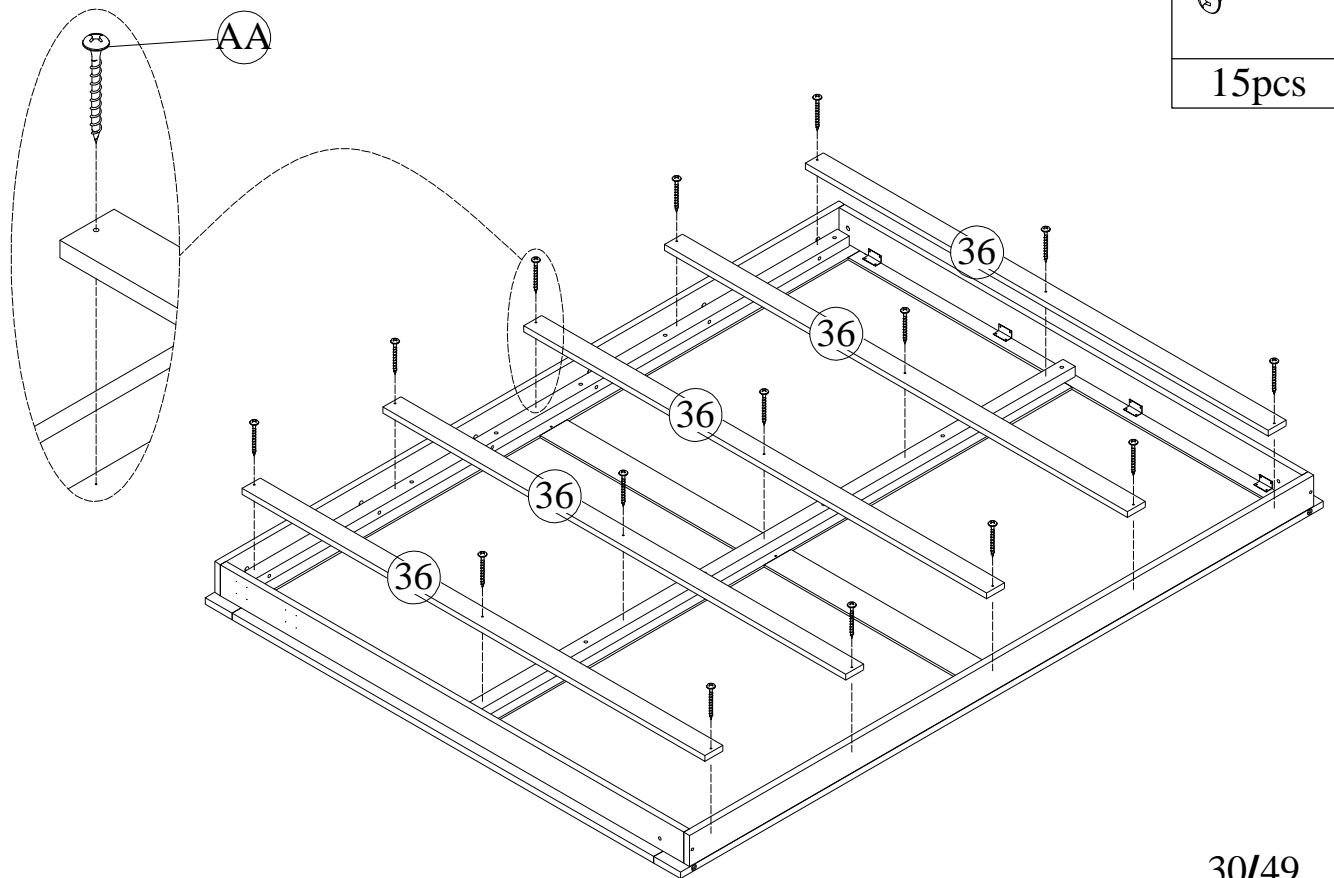
STEP-ÉTAPE-15

KA	K	L
		
12pcs	8pcs	32pcs

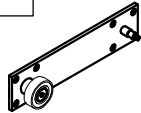



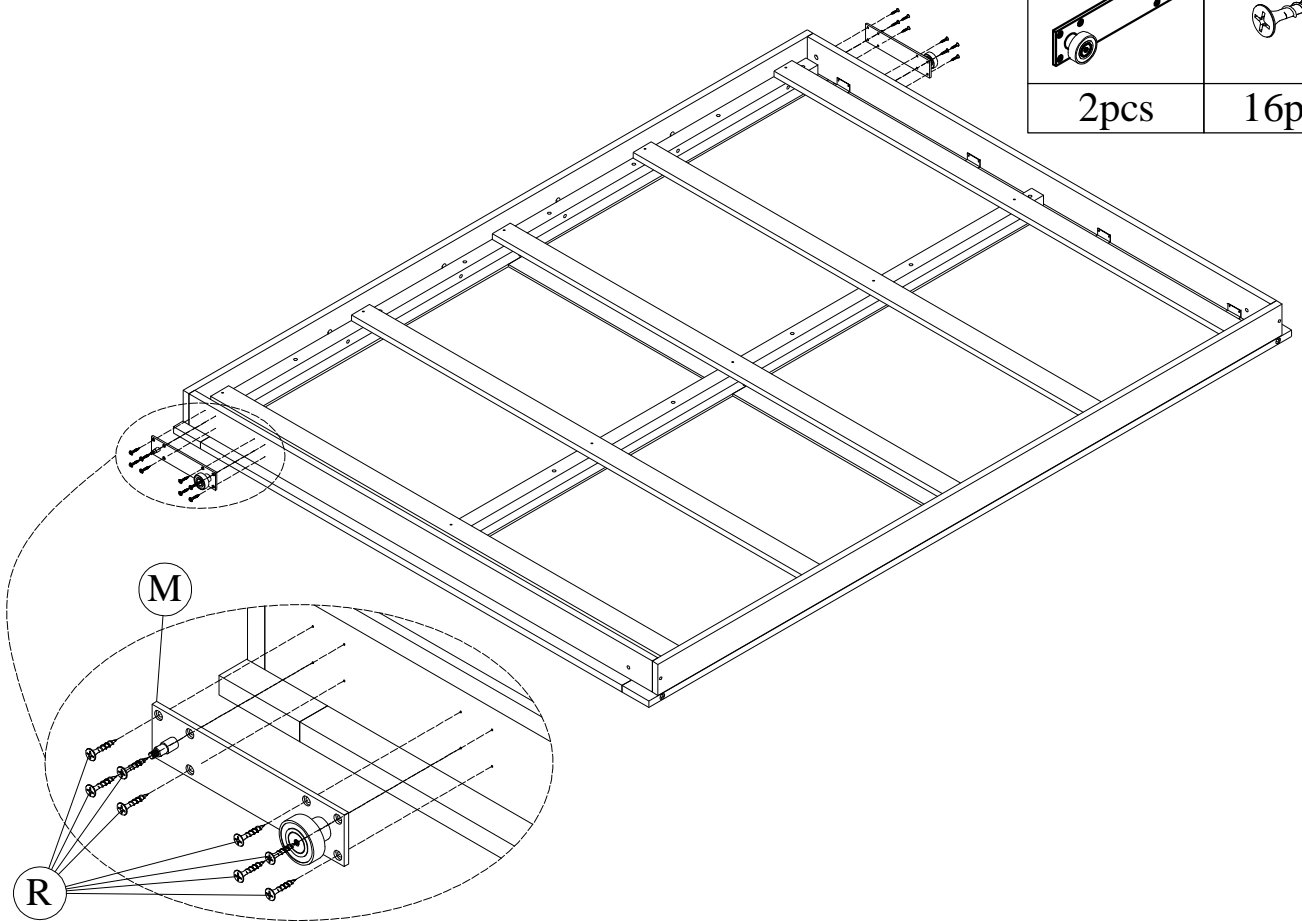
STEP-ÉTAPE-16

AA

15pcs

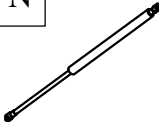



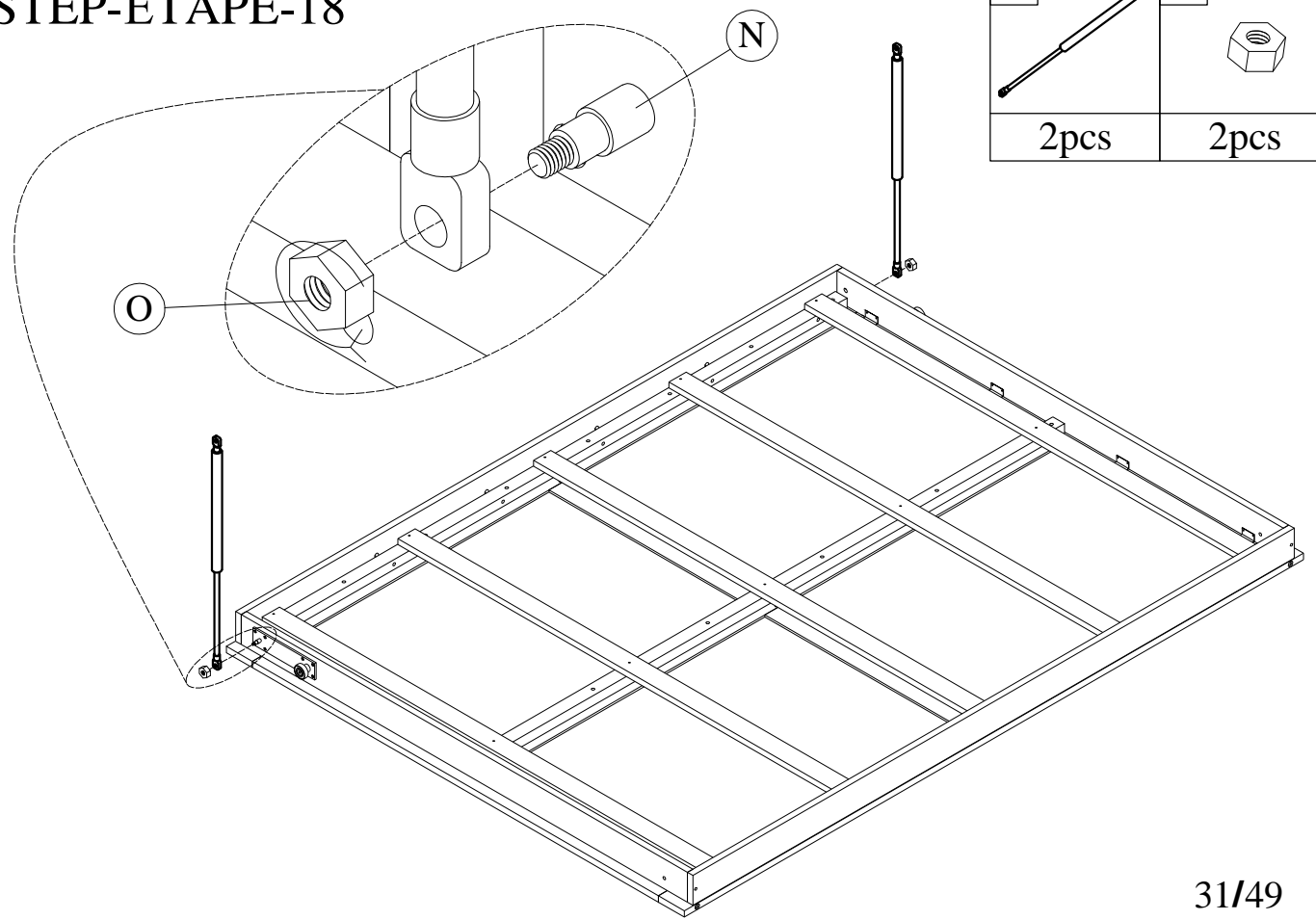
STEP-ÉTAPE-17

M	R
	
2pcs	16pcs

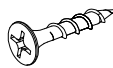
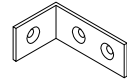
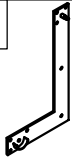


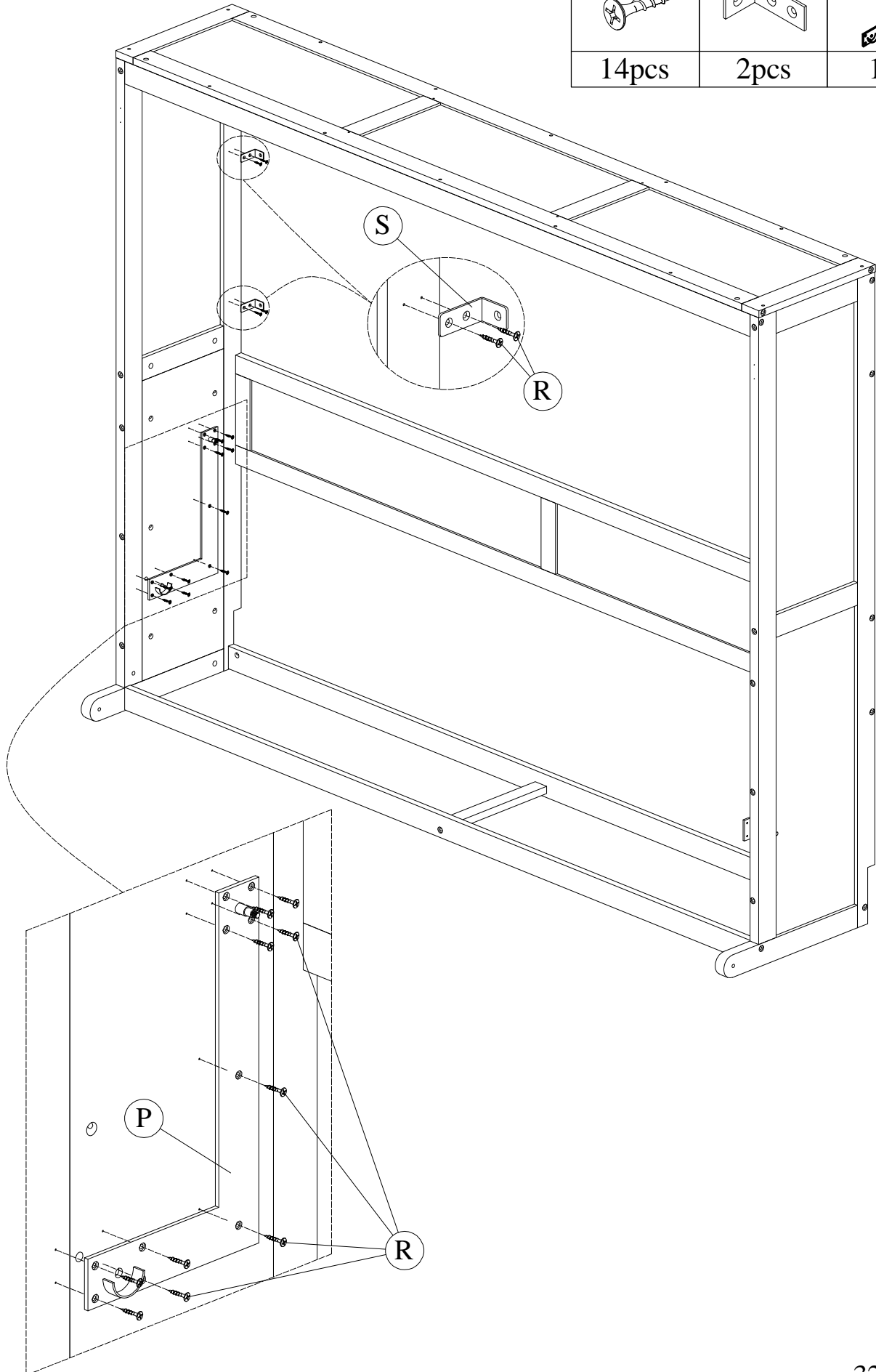
STEP-ÉTAPE-18

N	O
	
2pcs	2pcs

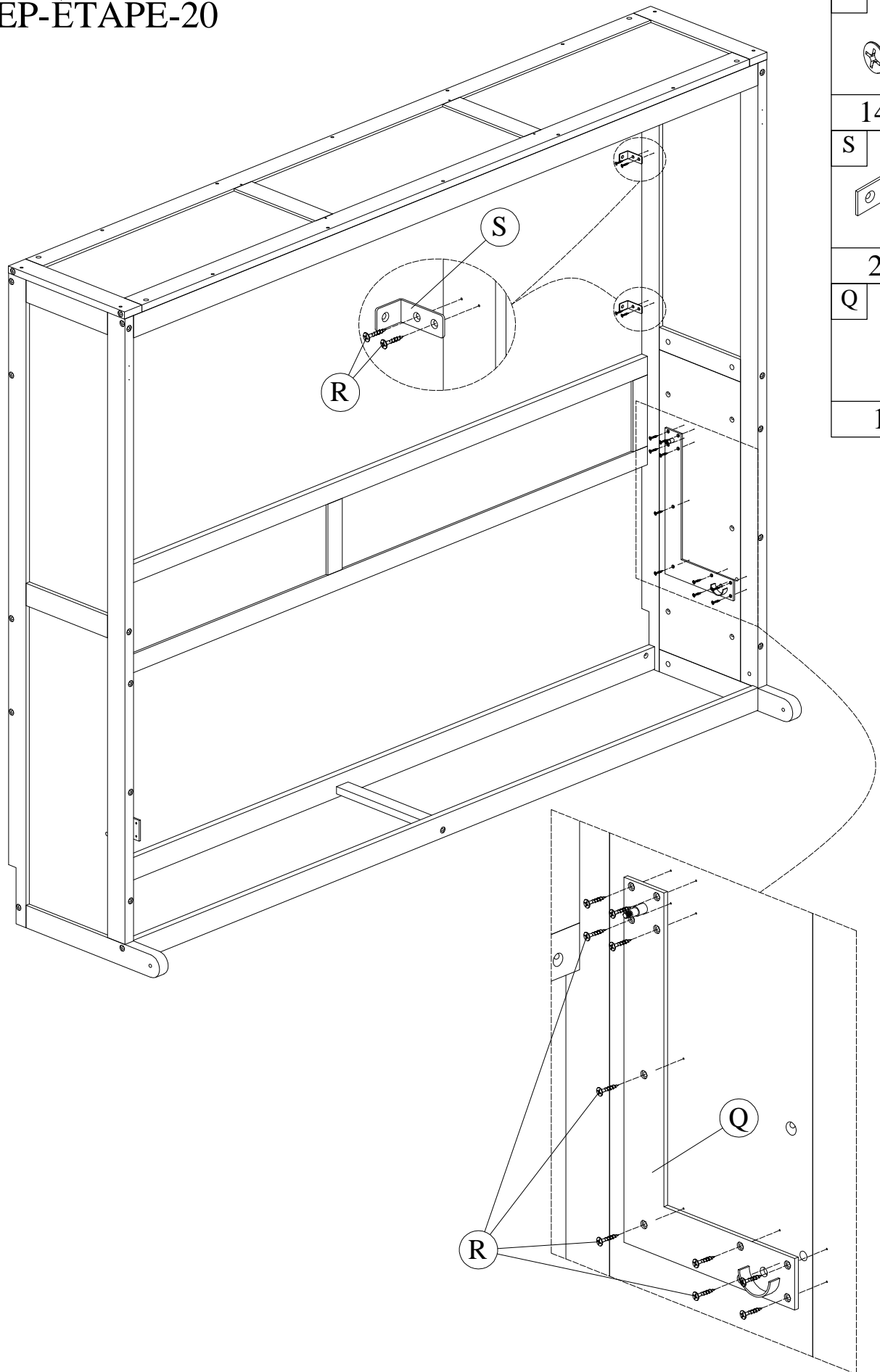


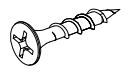
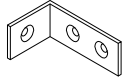

STEP-ÉTAPE-19

R	S	P
		
14pcs	2pcs	1pc



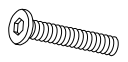
STEP-ÉTAPE-20



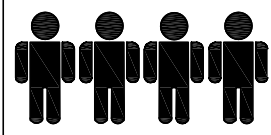
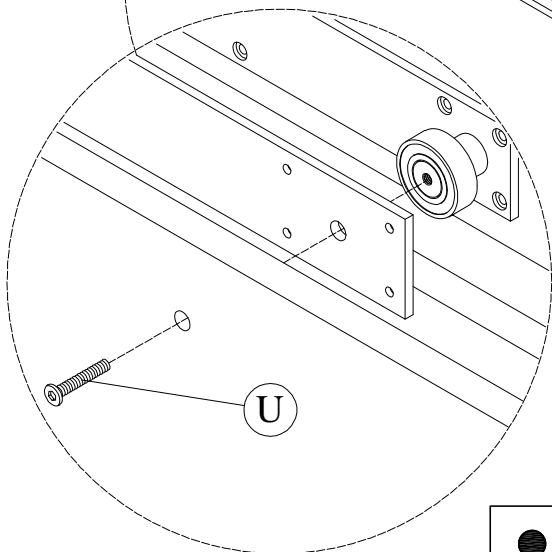
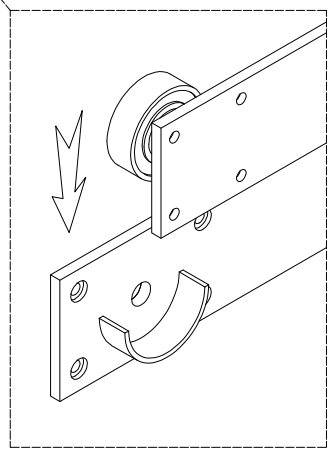
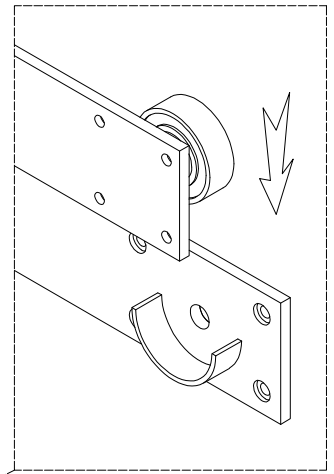
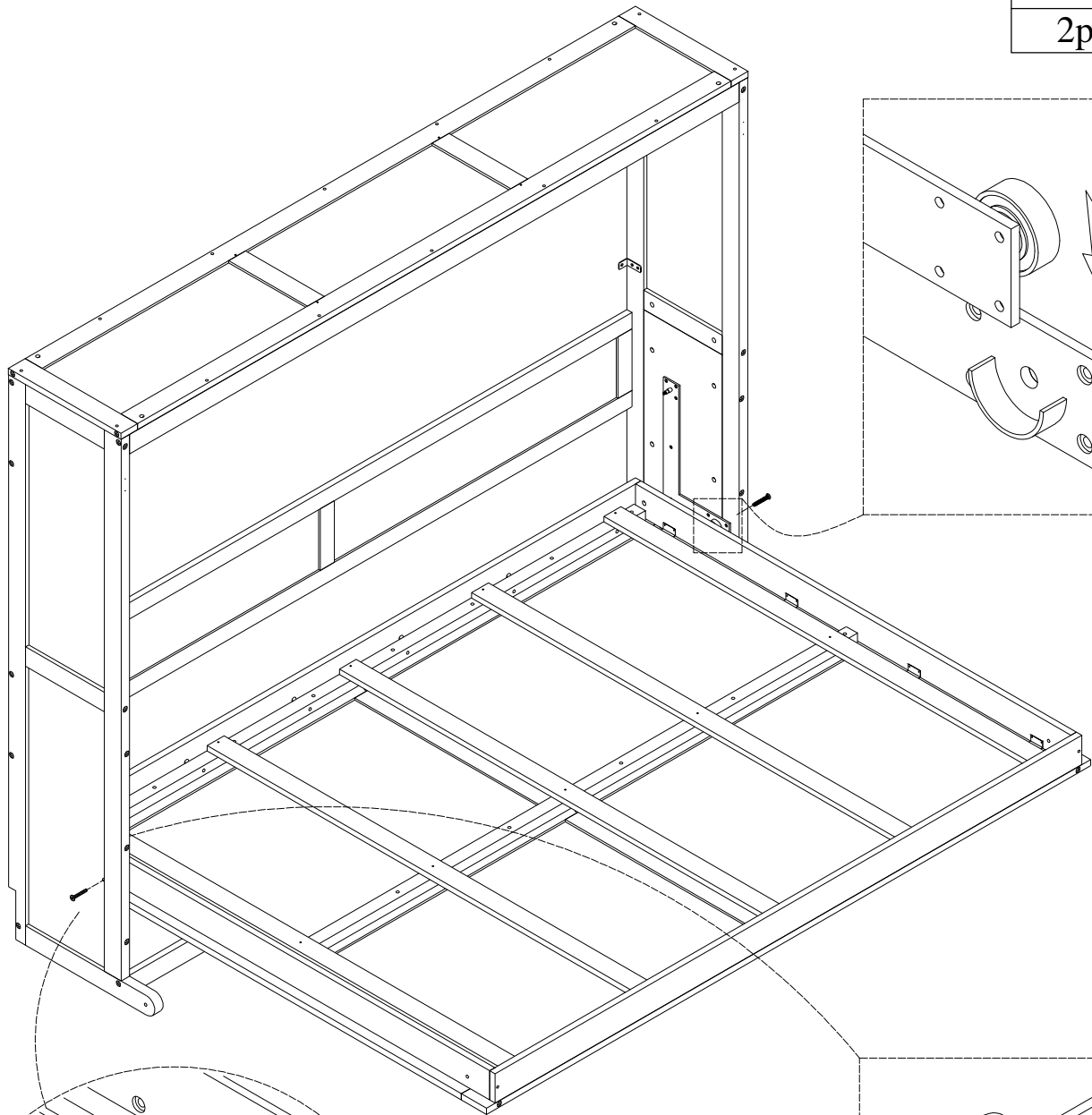
R	
	14pcs
S	
	2pcs
Q	
	1pc

STEP-ÉTAPE-21

U



2pcs



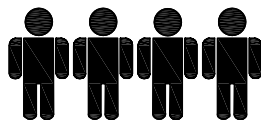
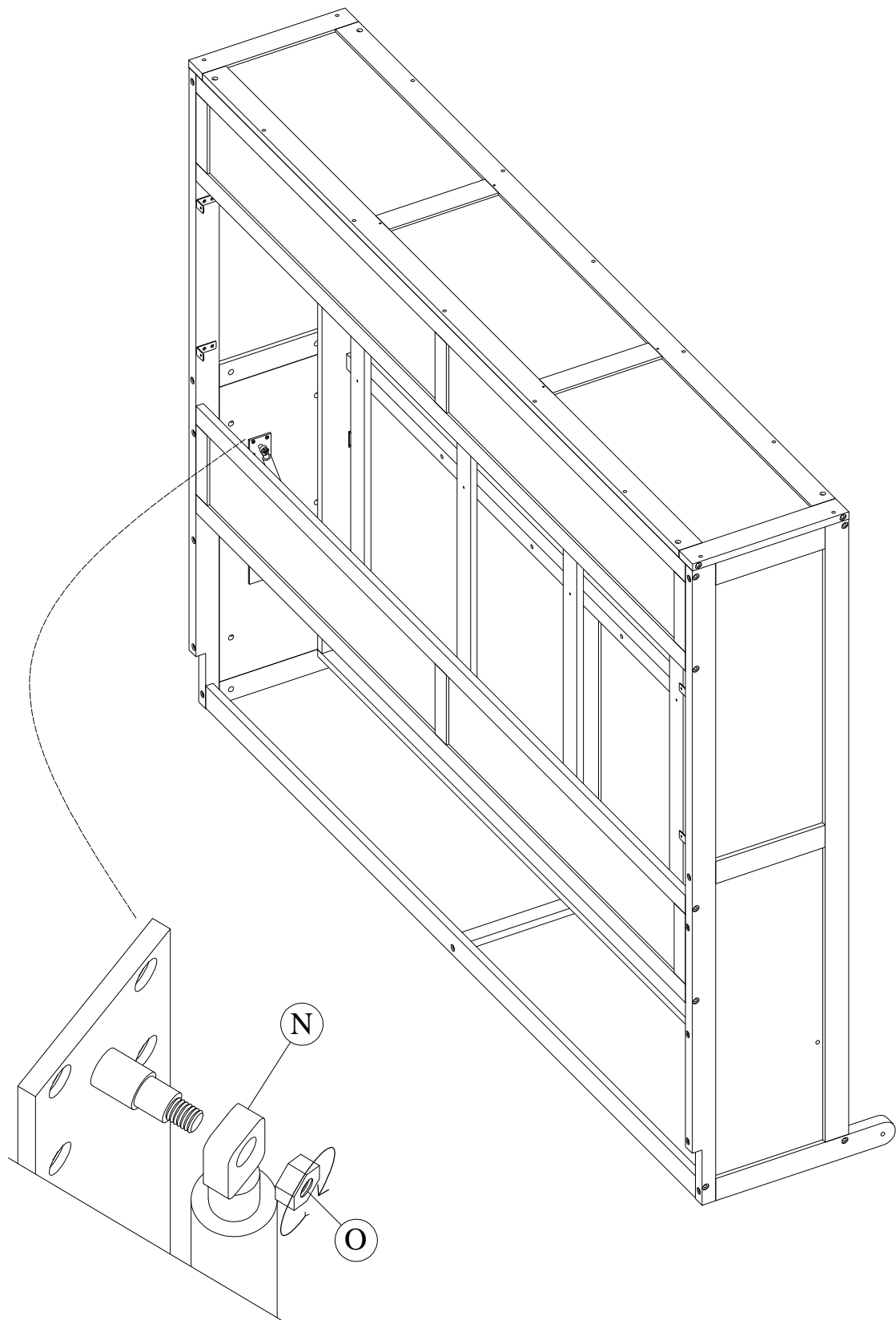
.Requires 4 people to assemble
(2 people hold the large cabinet
in place and 2 people tilt the bed
until accessories are in place)

STEP-ÉTAPE-22

O



1pc



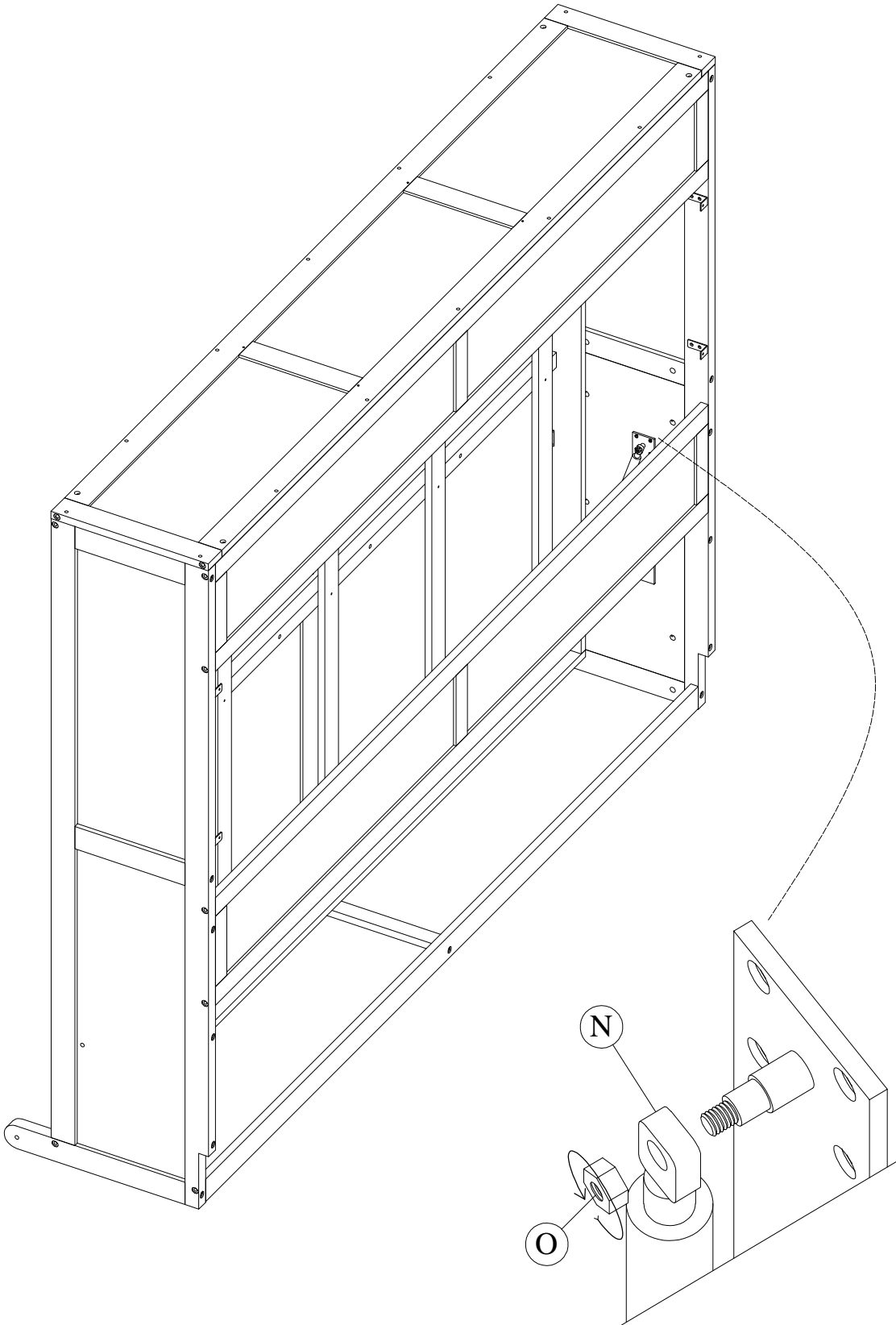
.Requires 4 people to assemble
(2 people hold the large cabinet
in place and 2 people tilt the bed
until accessories are in place)

STEP-ÉTAPE-23

O


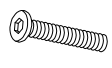

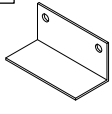
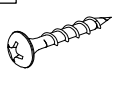


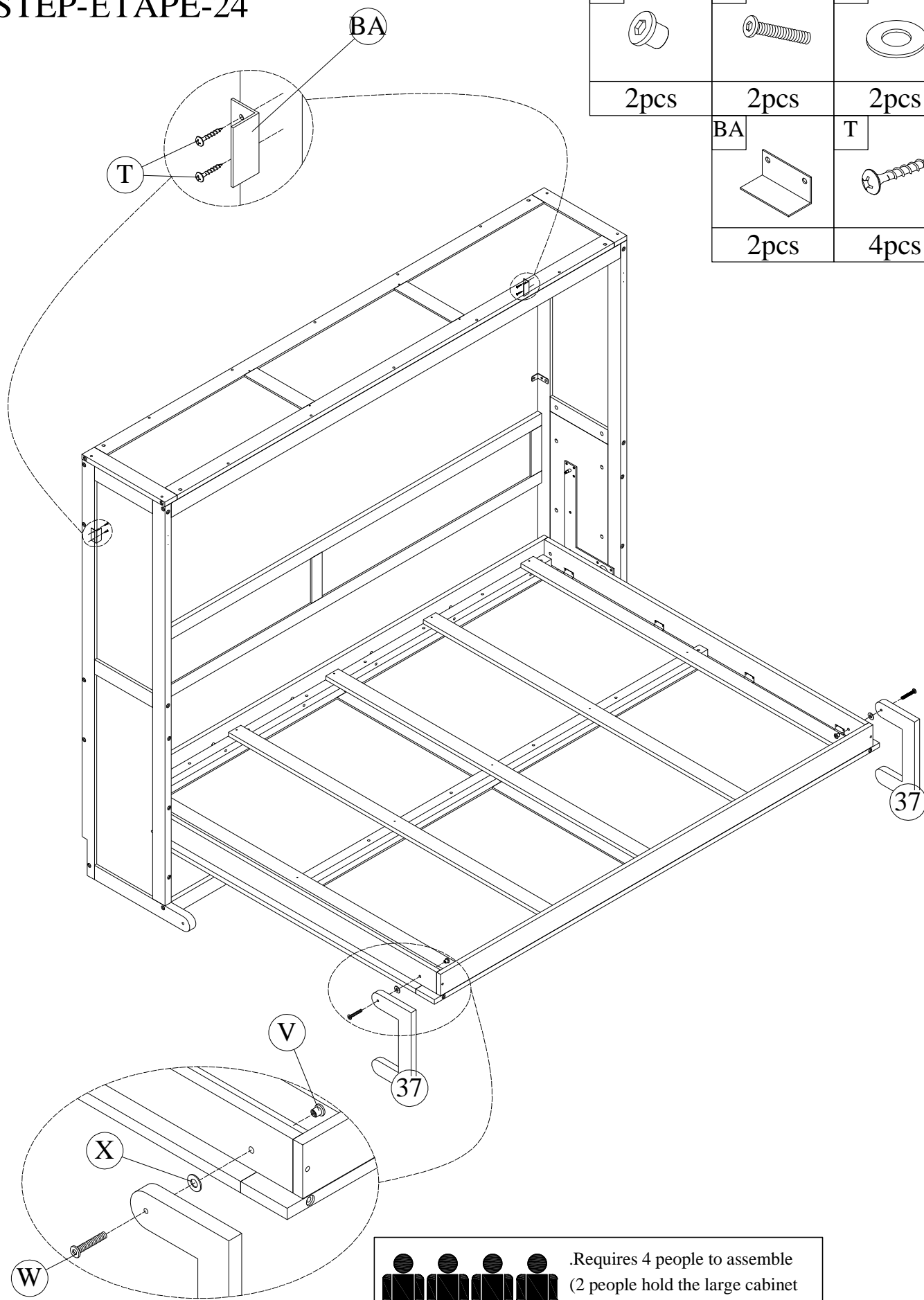
1pc

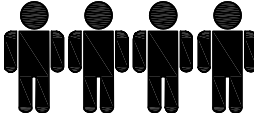


.Requires 4 people to assemble
(2 people hold the large cabinet
in place and 2 people tilt the bed
until accessories are in place)

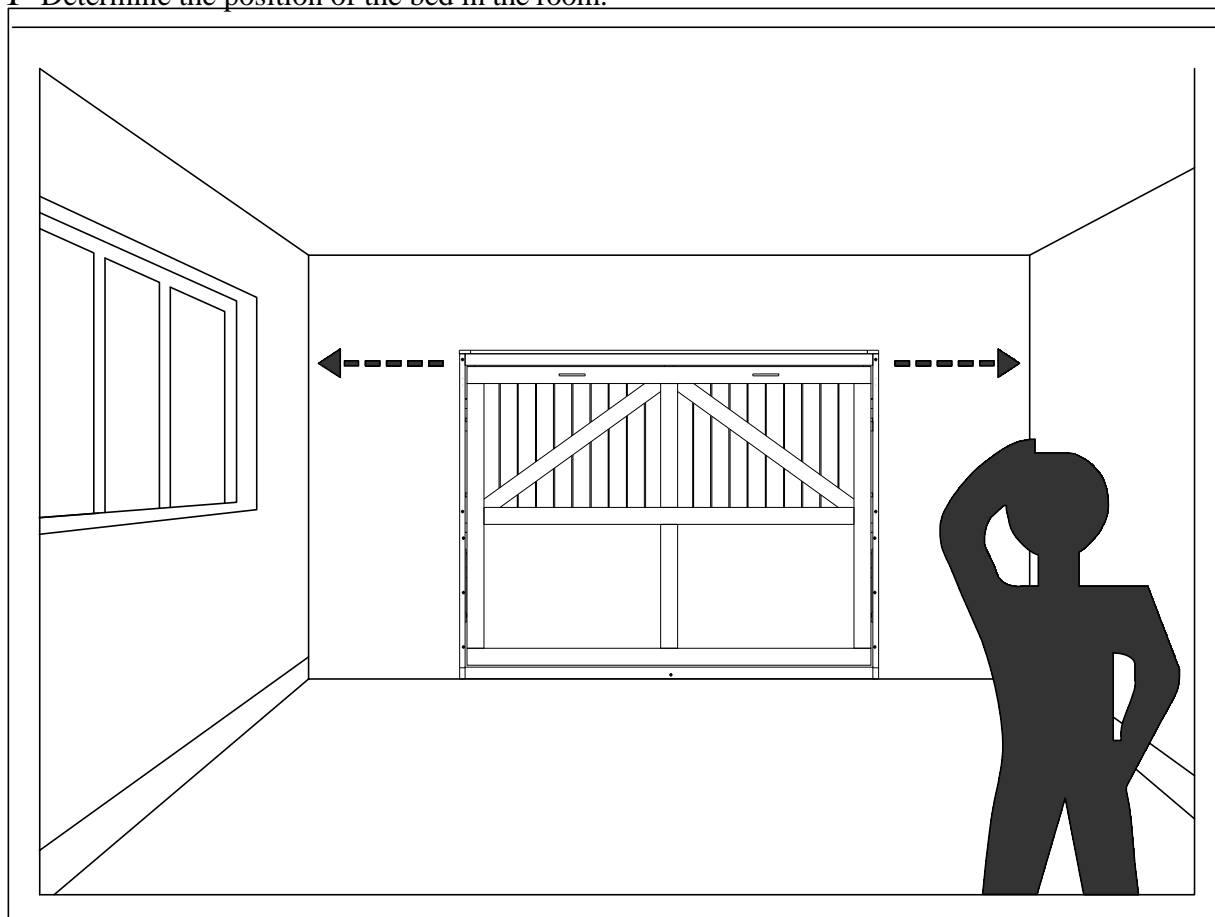
STEP-ÉTAPE-24

V	W	X
		
2pcs	2pcs	2pcs
	BA	T
		
	2pcs	4pcs

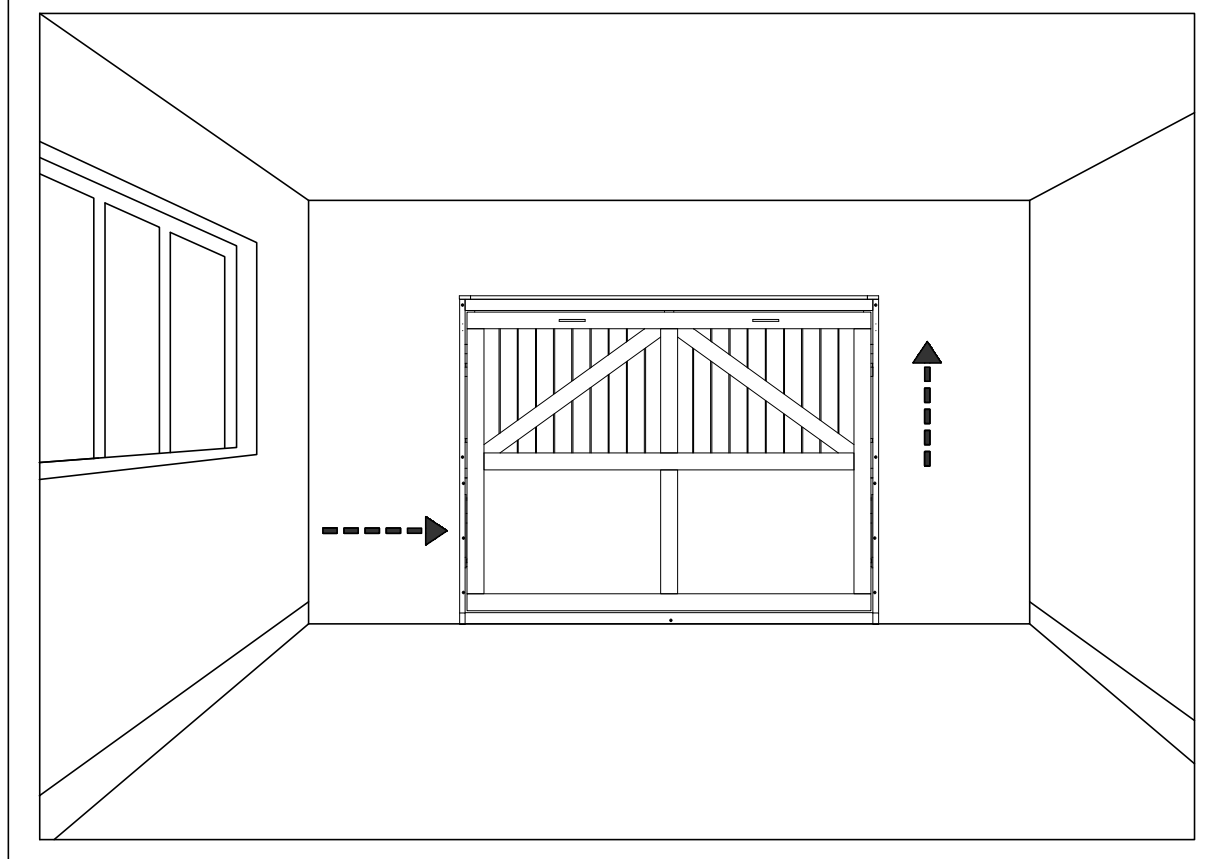


 .Requires 4 people to assemble
(2 people hold the large cabinet
in place and 2 people tilt the bed
until accessories are in place)

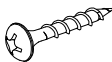
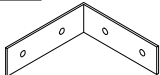

1- Determine the position of the bed in the room.

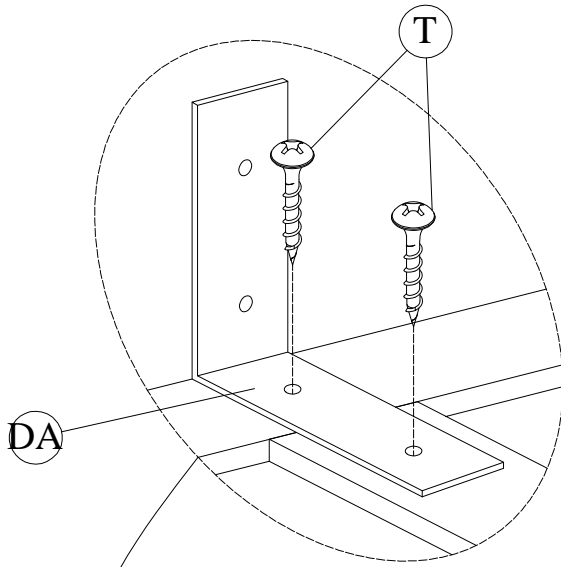


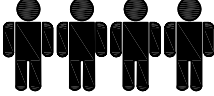
2- Put the bed back in its place. Please keep it vertical and horizontal.

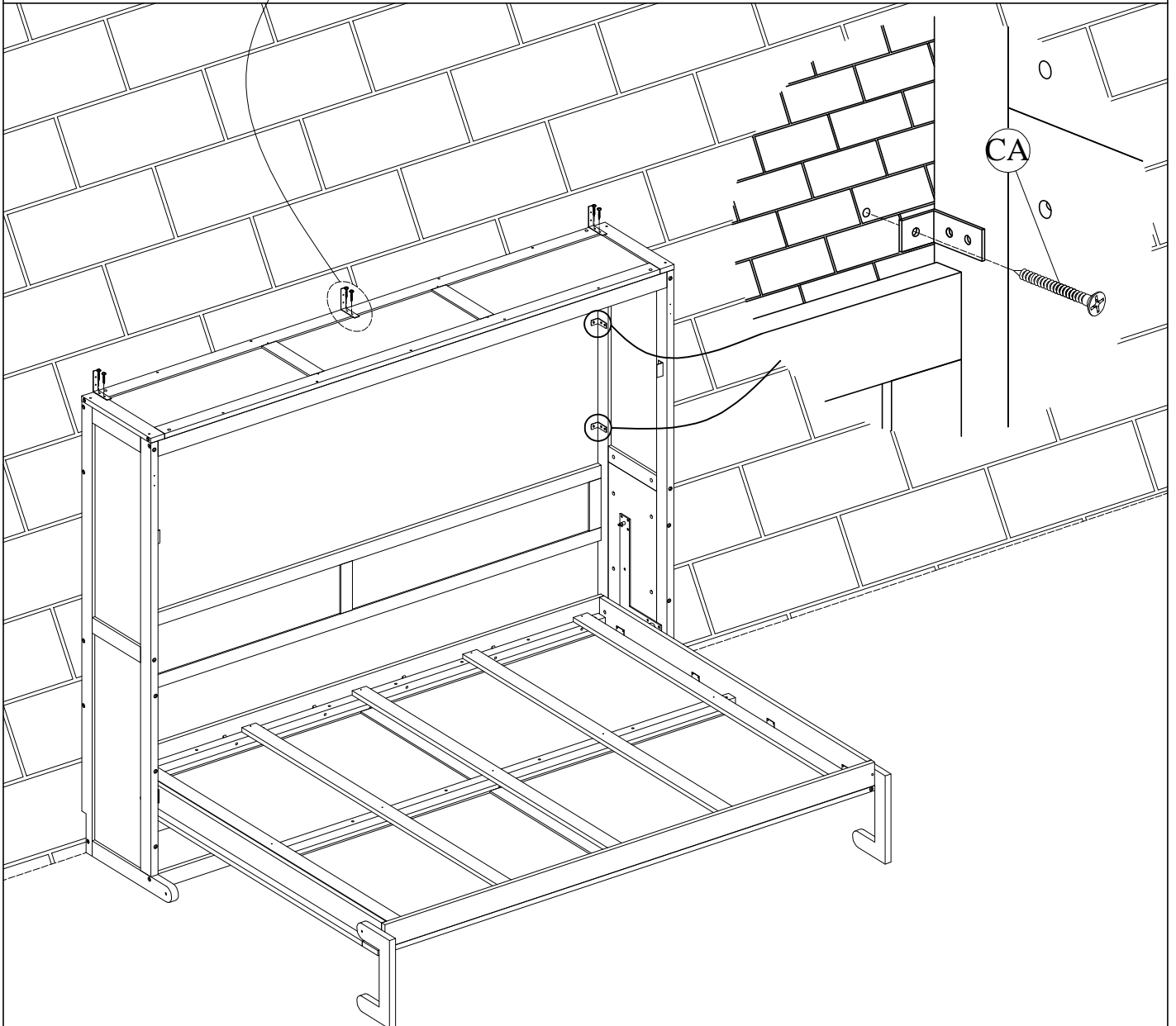


STEP-ÉTAPE-25

T	DA	CA
		
6pcs	3pcs	2pcs



 Four people are required to assemble and move this model.

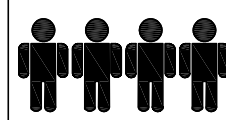
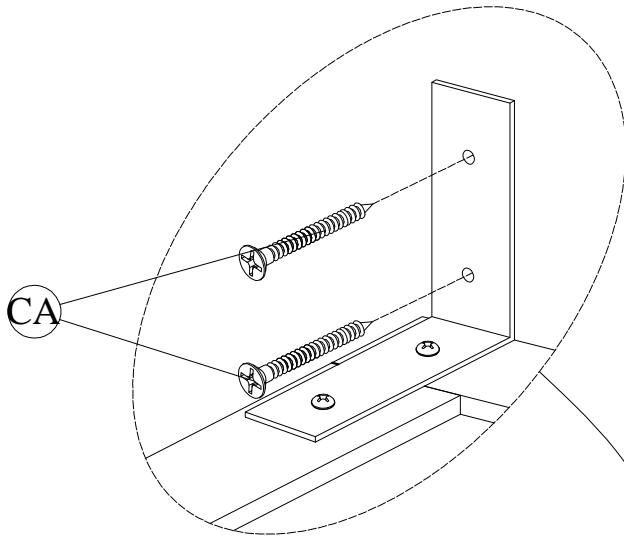


STEP-ÉTAPE-26

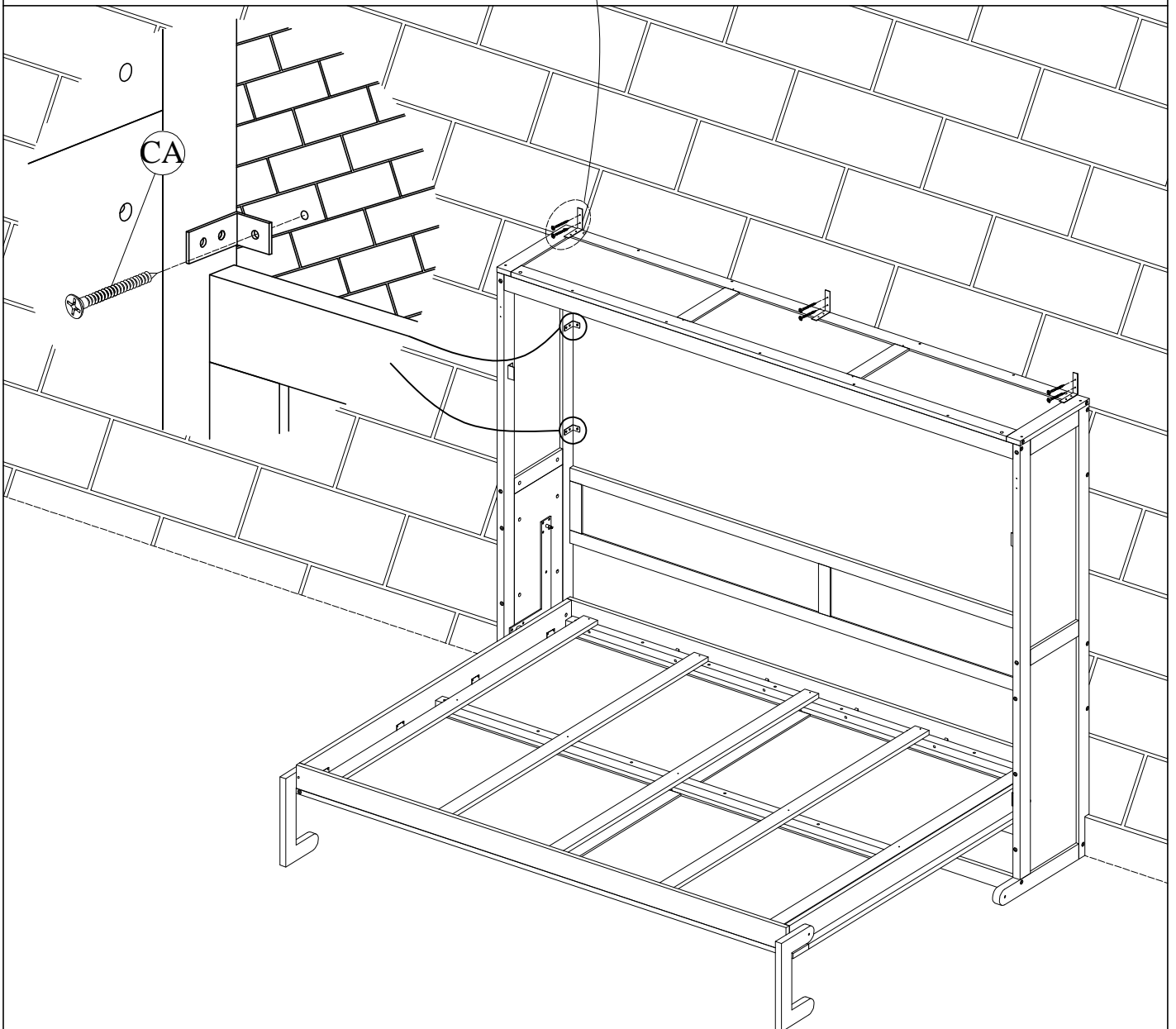
CA



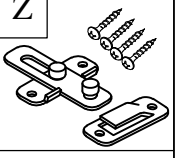
8pcs

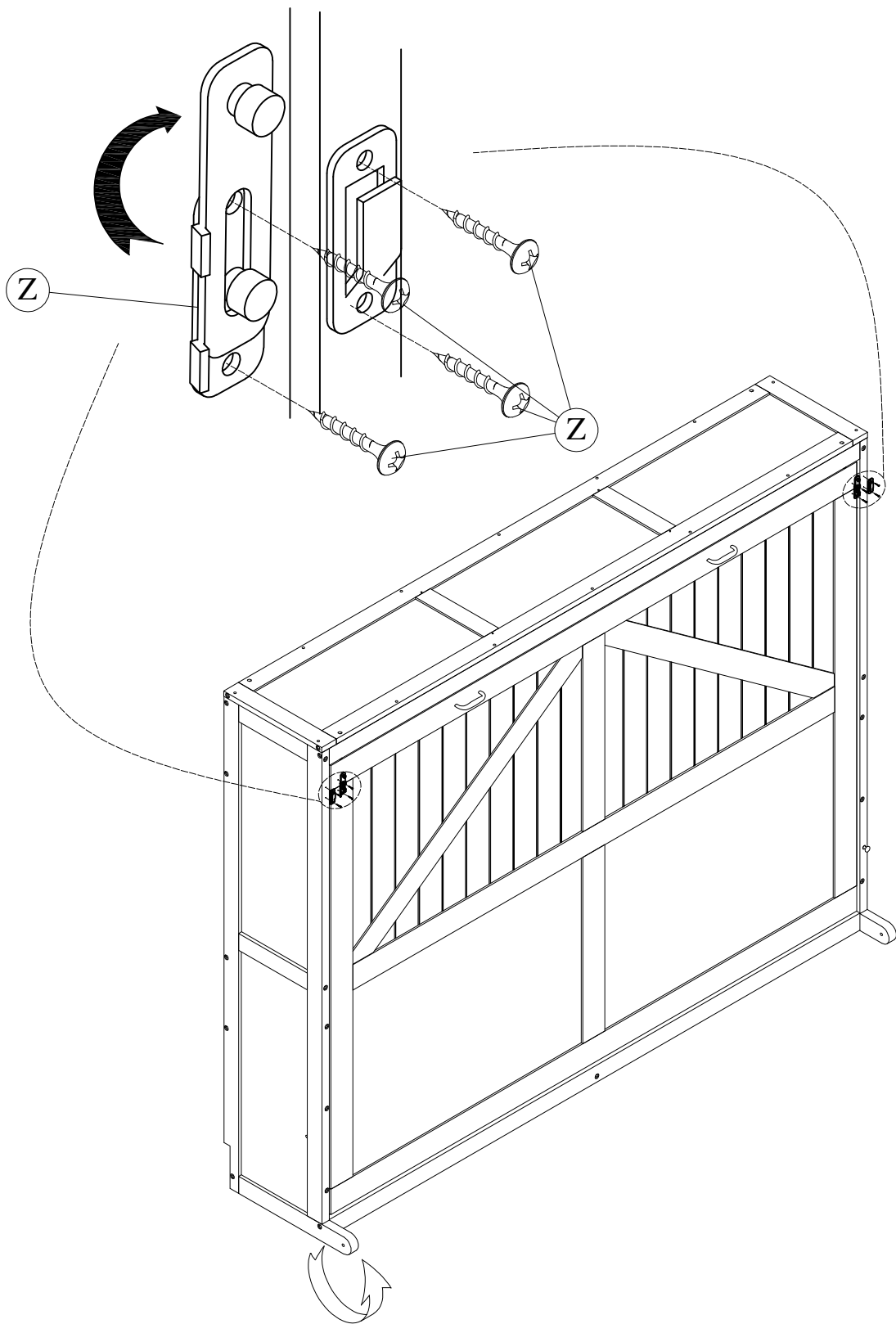


Four people are required to assemble and move this model.



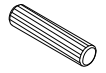
STEP-ÉTAPE-27

Z	
2pcs	

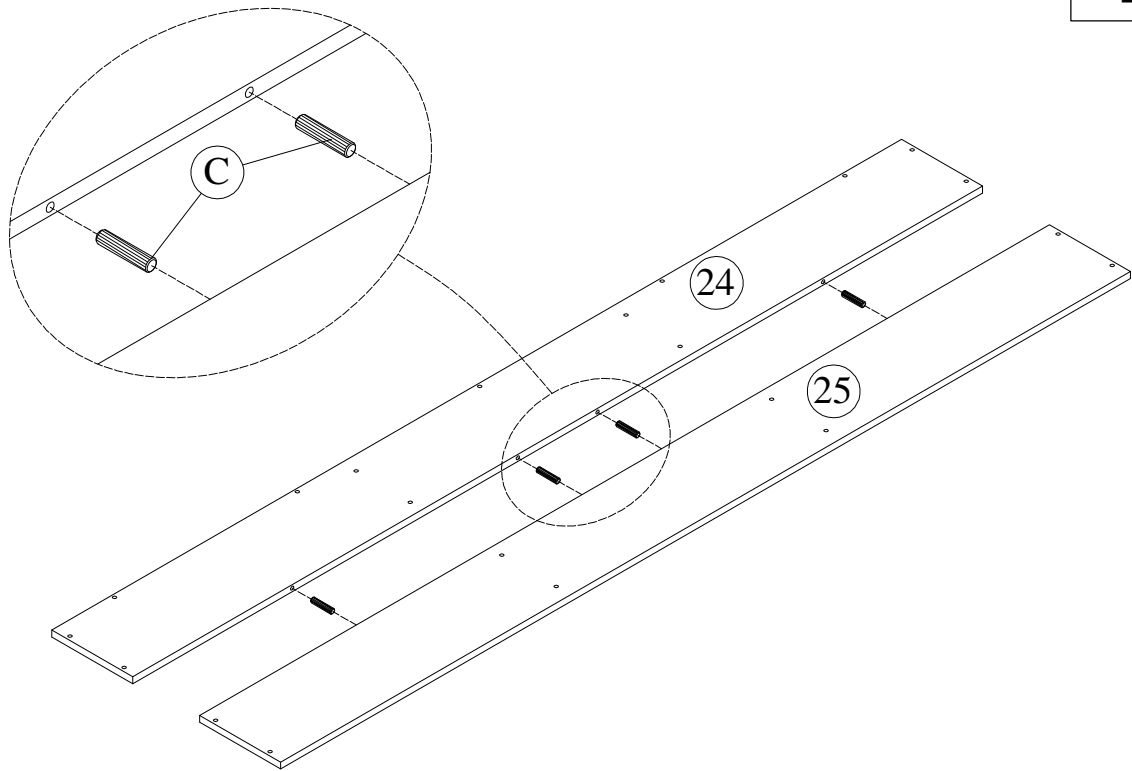


STEP-ÉTAPE-28

C

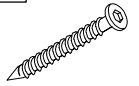


4pcs

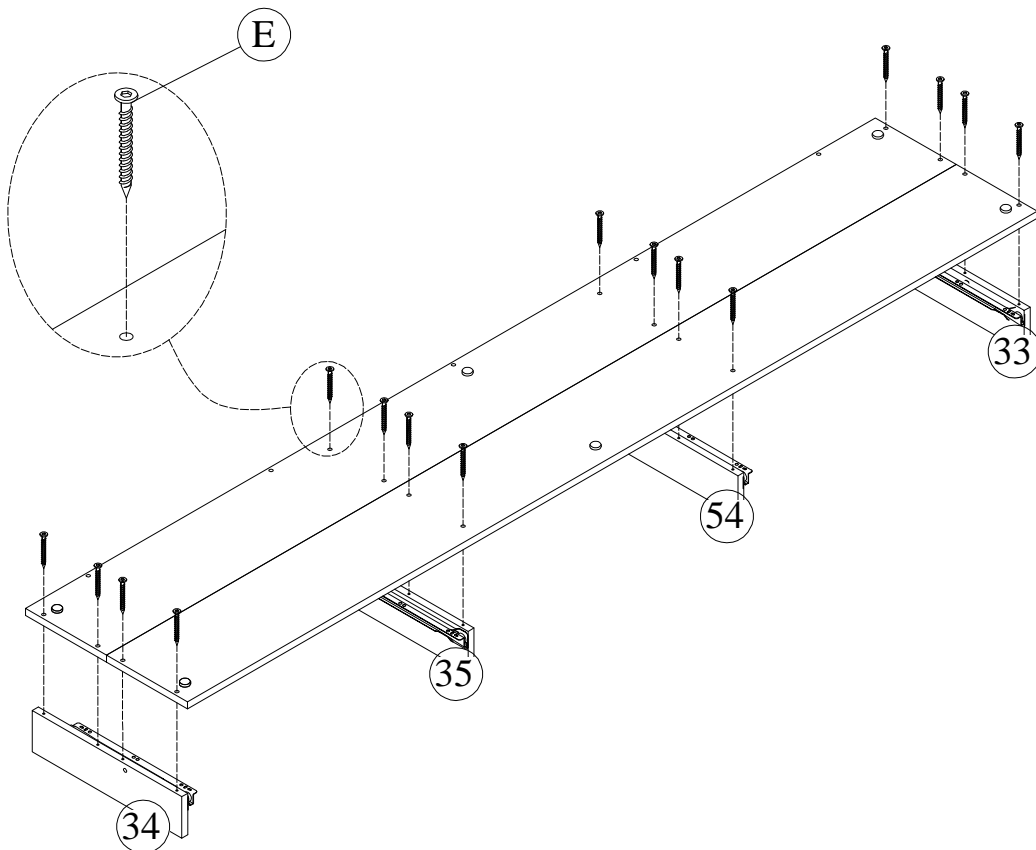


STEP-ÉTAPE-29



E

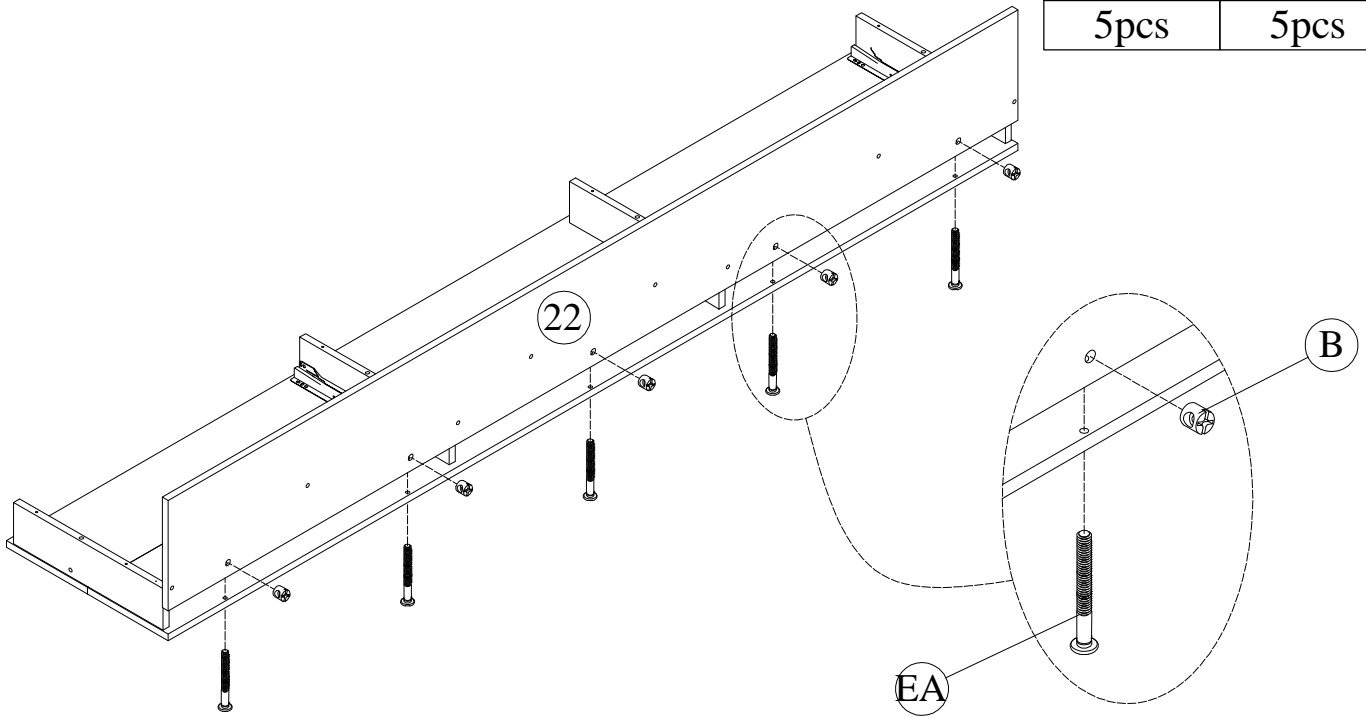


16pcs

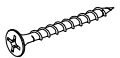


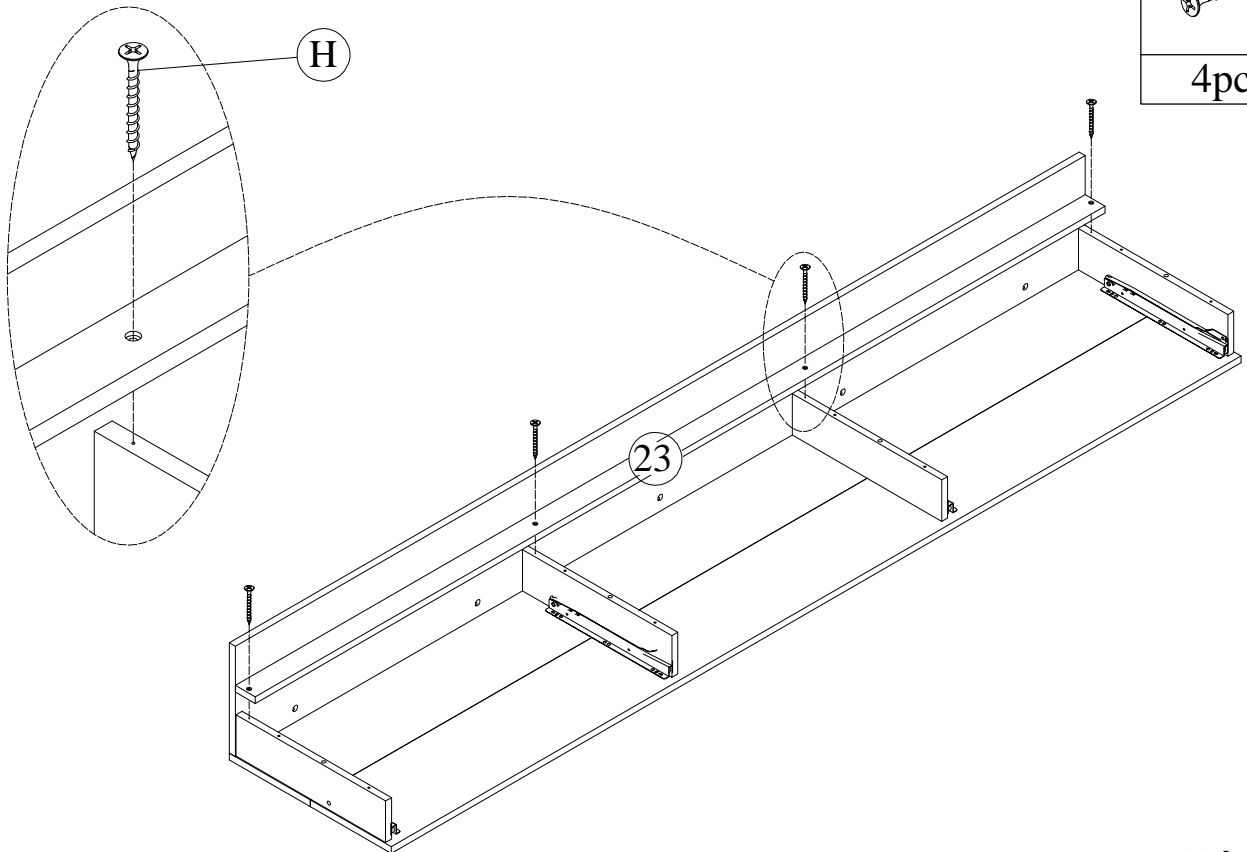
STEP-ÉTAPE-30

EA	B
	
5pcs	5pcs



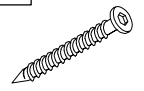
STEP-ÉTAPE-31

H

4pcs

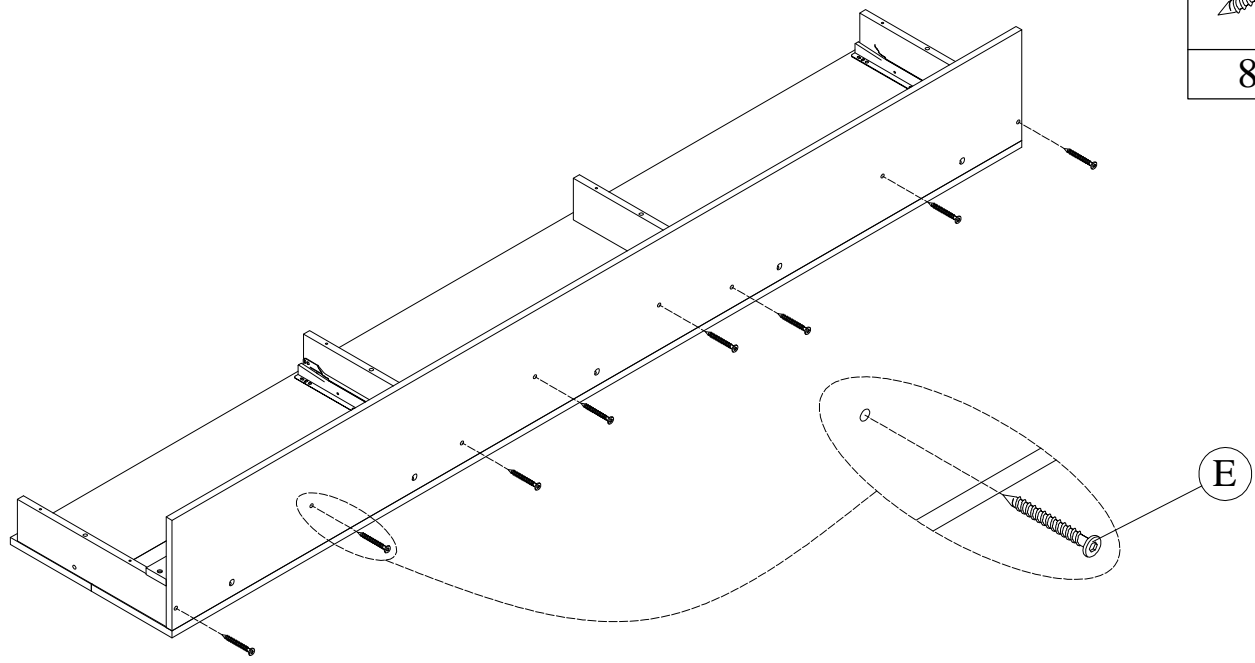


STEP-ÉTAPE-32

E



8pcs



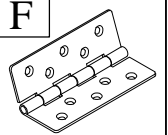
STEP-ÉTAPE-33

R

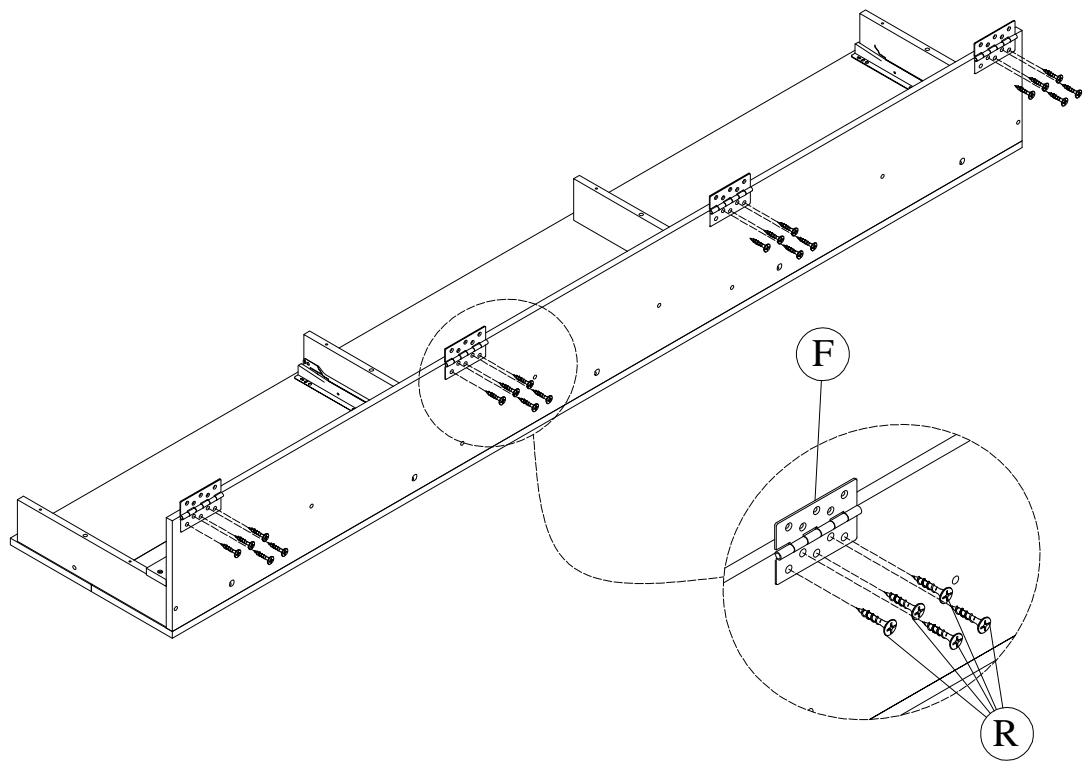


20pcs

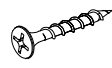
F

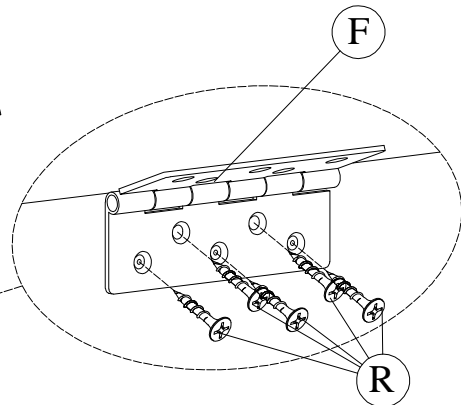
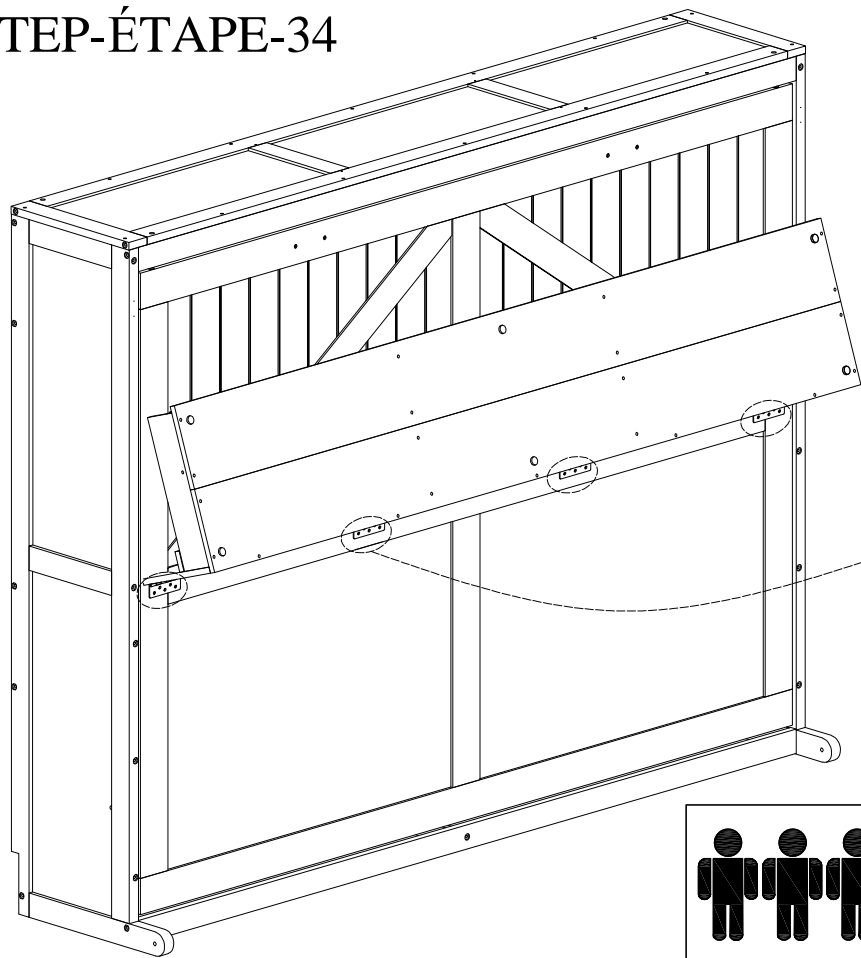


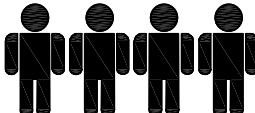
4pcs







STEP-ÉTAPE-34

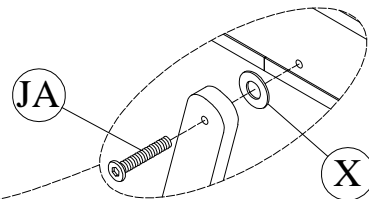
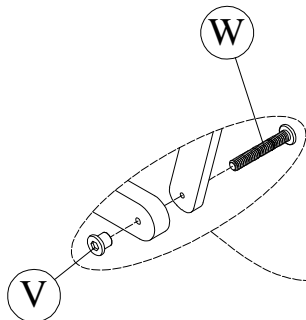
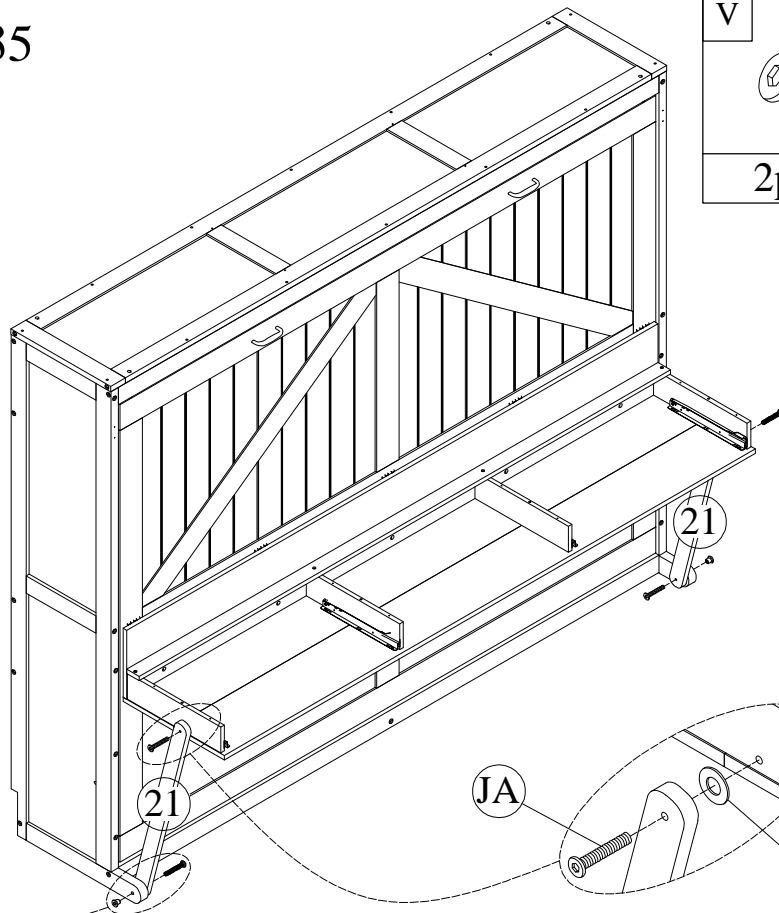
R

20pcs



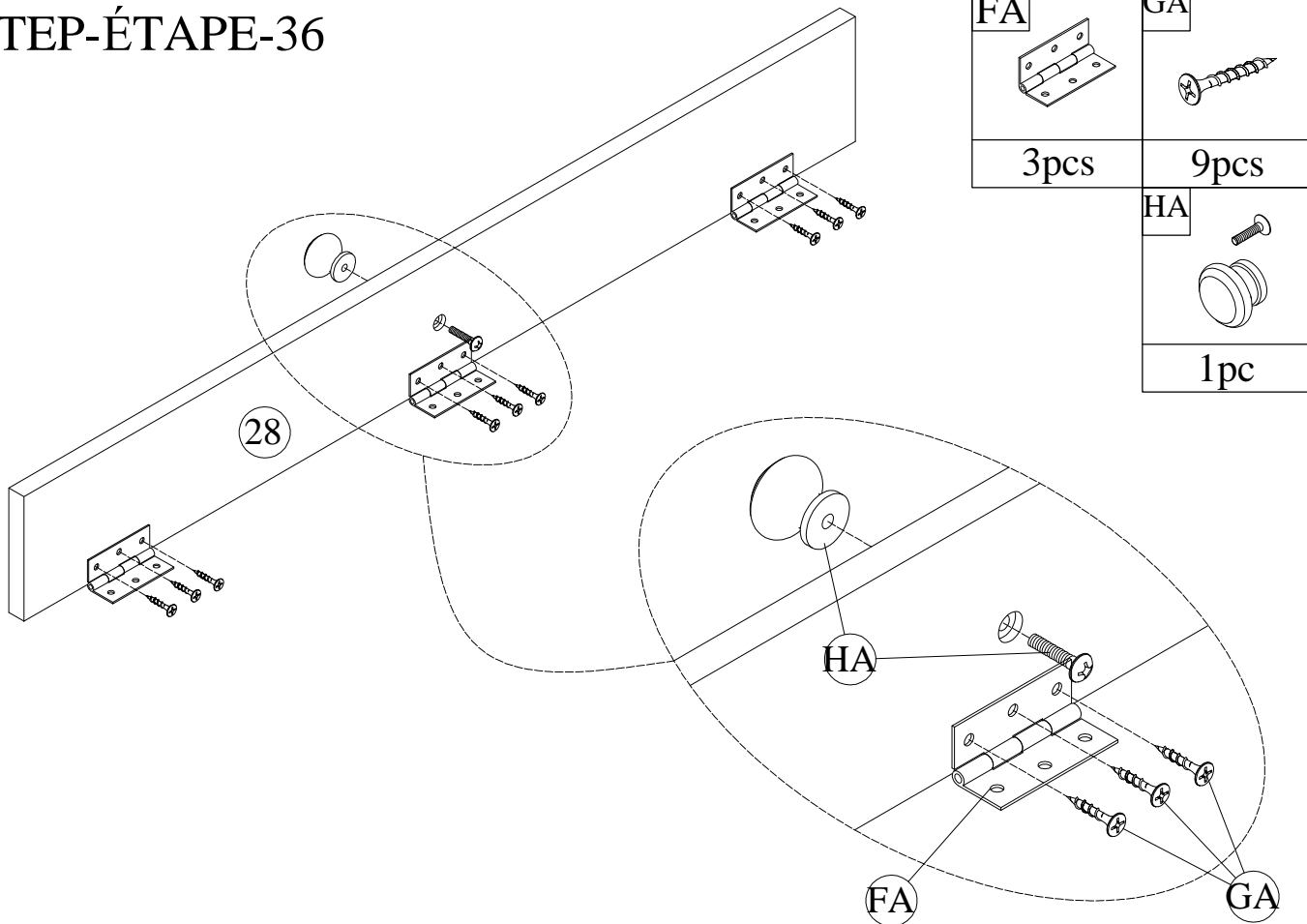
 .Requires 4 people to assemble
(2 people hold the large cabinet in place and 2 people tilt the bed until accessories are in place)

STEP-ÉTAPE-35

V	W
	
2pcs	2pcs
	JA
	
	2pcs
	X
	
	2pcs

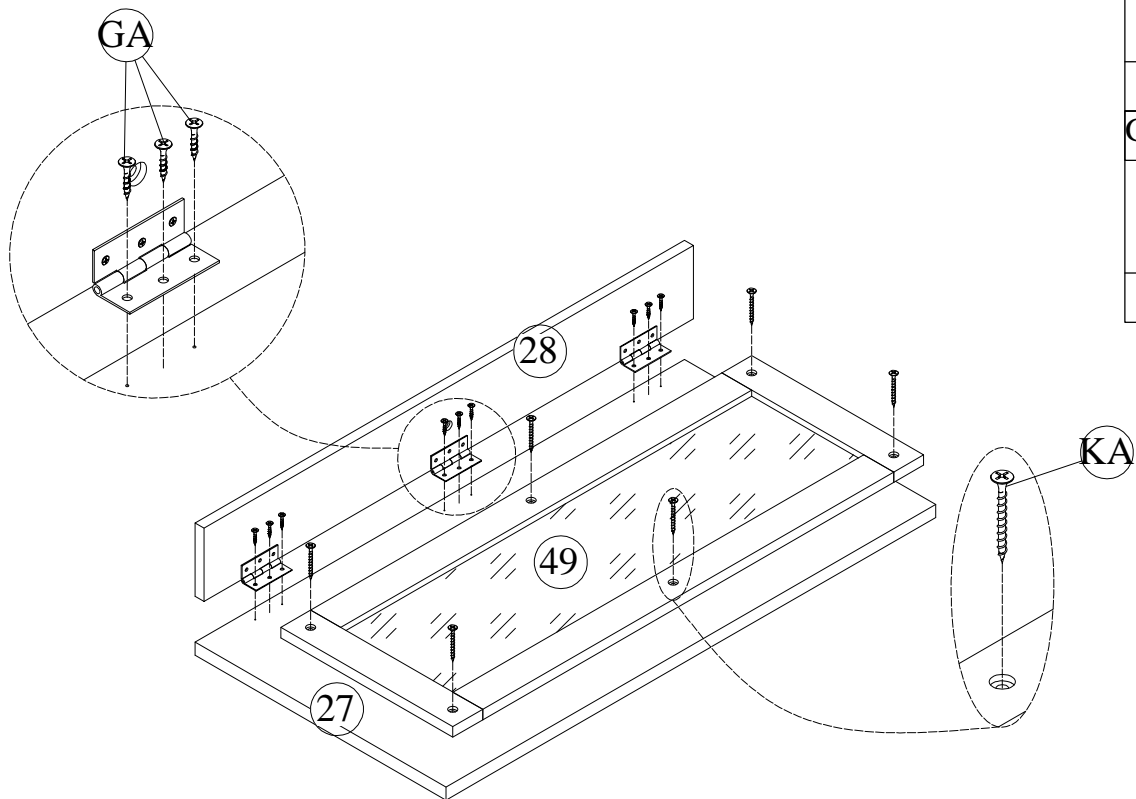


STEP-ÉTAPE-36




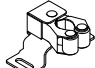
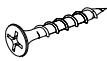
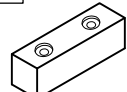
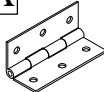
FA	GA
3pcs	9pcs
	HA
	1pc

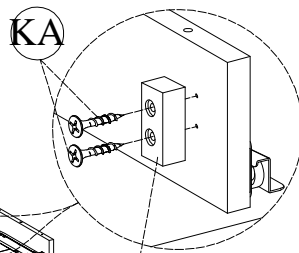
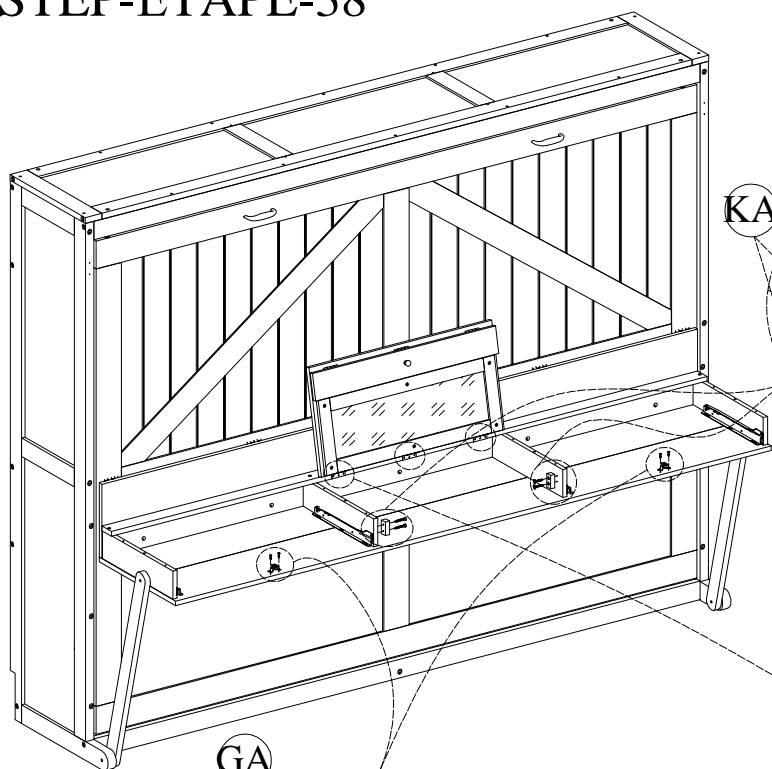
STEP-ÉTAPE-37



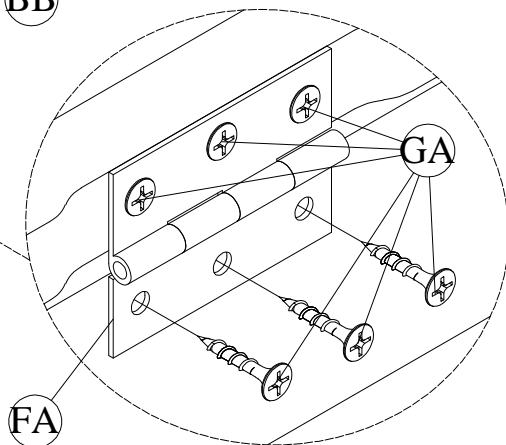
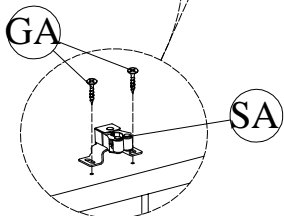
KA
6pcs
GA
9pcs

STEP-ÉTAPE-38

KA	SA	GA
		
4pcs	2pcs	22pcs
	BB	FA
		
	2pcs	3pcs



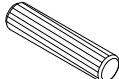
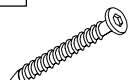
BB

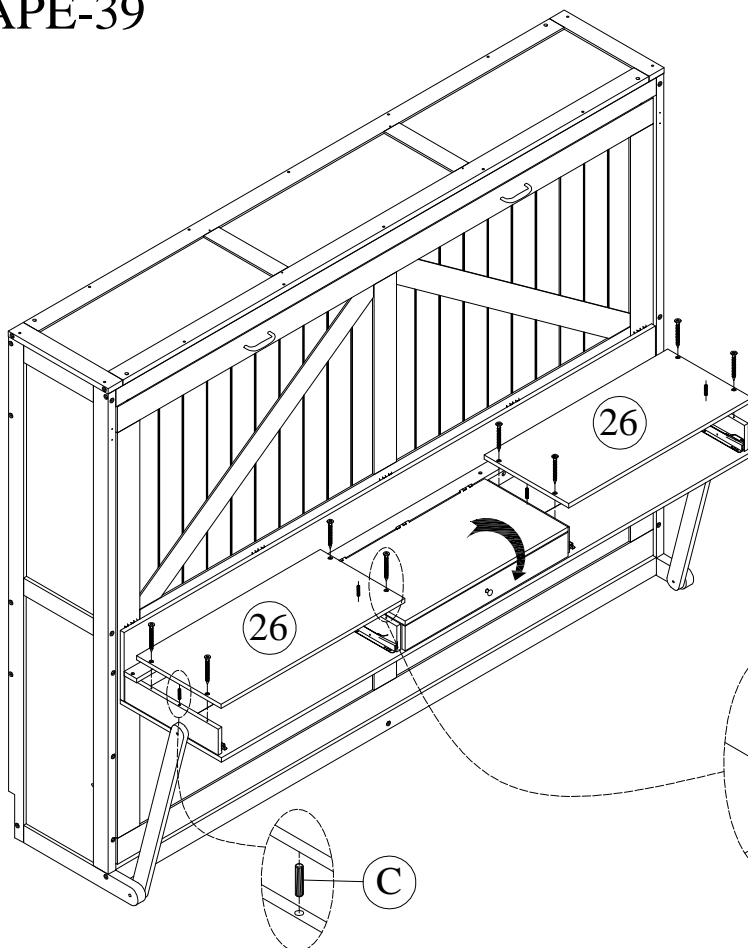


FA

Installation video

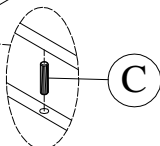
STEP-ÉTAPE-39

C	CC
	
4pcs	8pcs

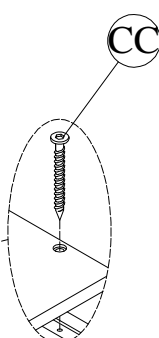


26

26

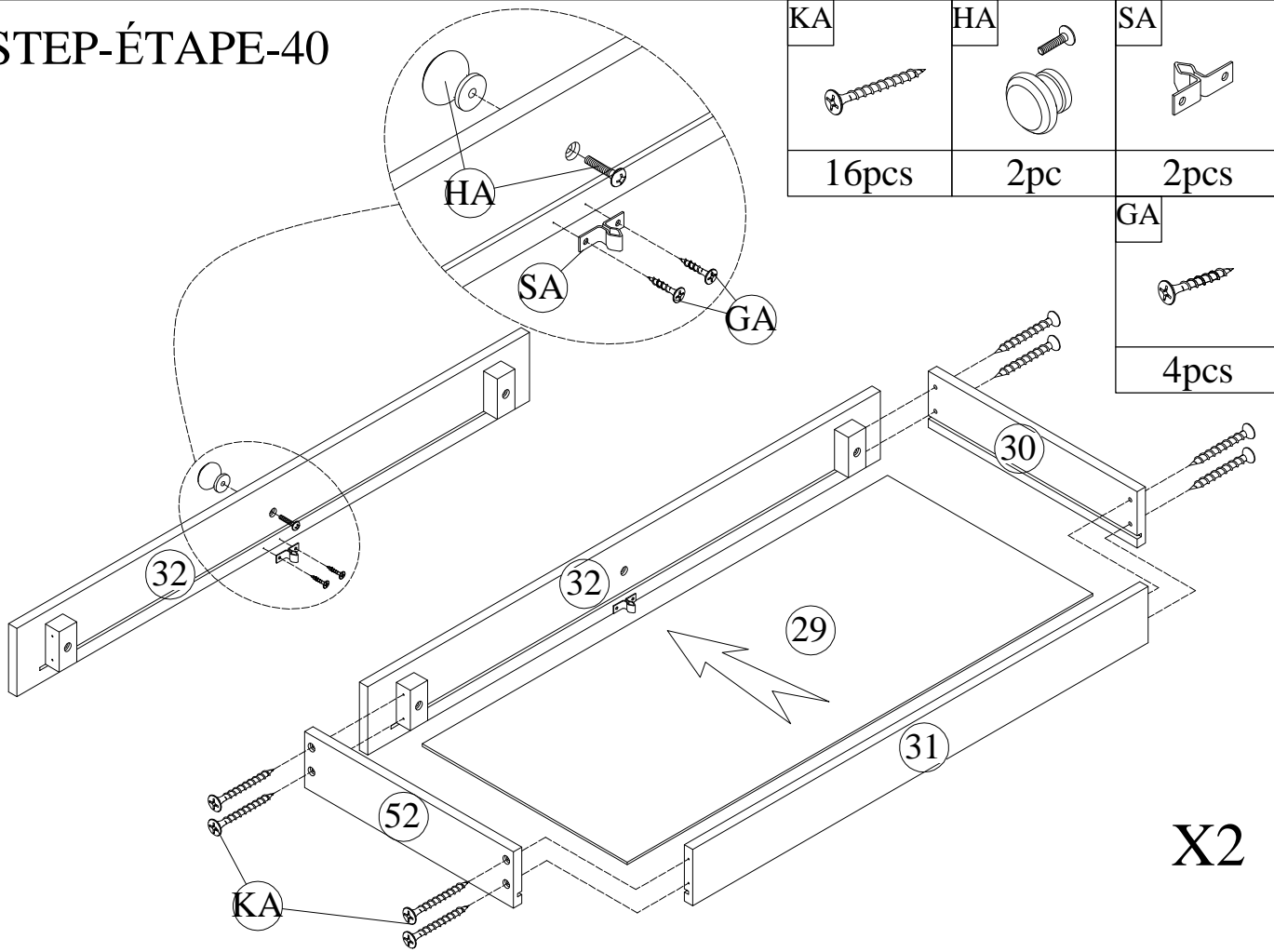


C

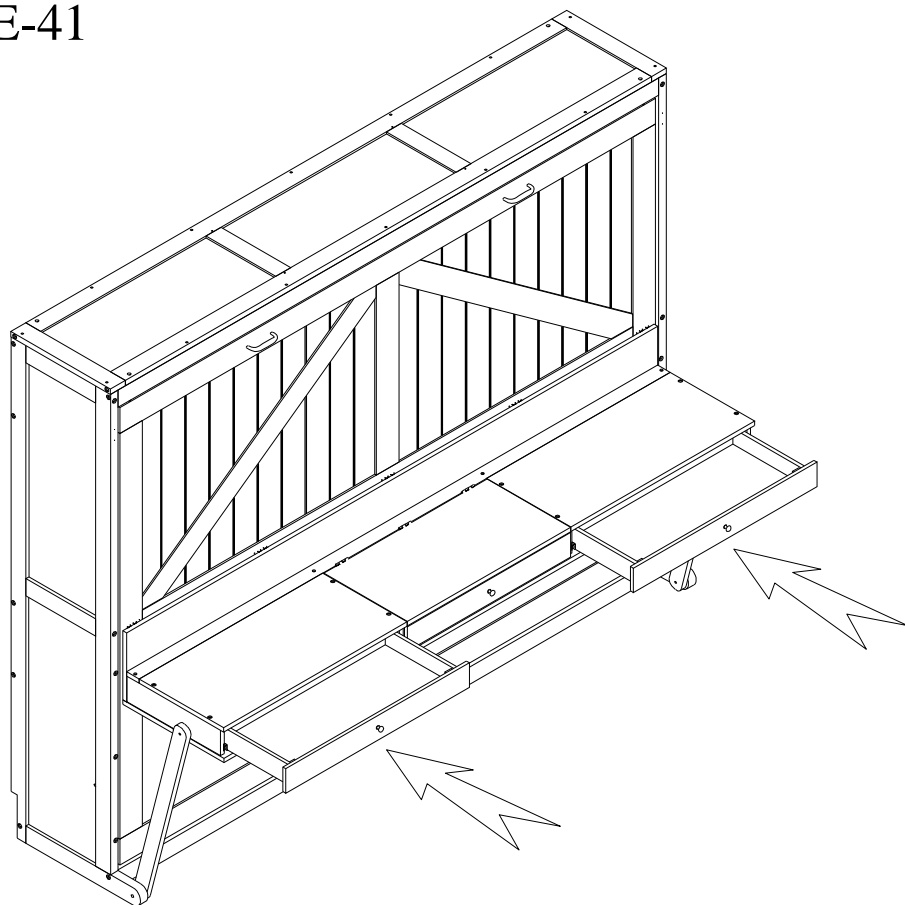


CC

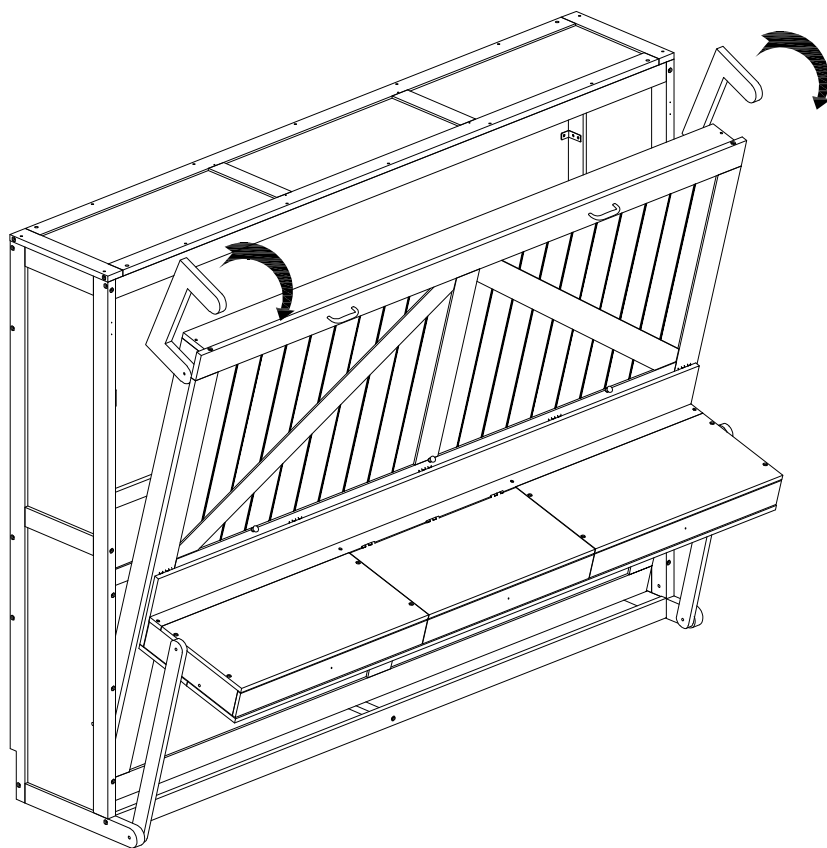
STEP-ÉTAPE-40



STEP-ÉTAPE-41



STEP-ÉTAPE-42



STEP-ÉTAPE-43

