

# -KING BED ASSEMBLY INSTRUCTION

Thank you for purchasing this quality product. Be sure to check all packing material carefully for small parts which may have come loose inside the carton during shipment. Separate, identify and count all parts and hardware. Compare with the parts list to be sure all parts are present.

**IMPORTANT : PLEASE READ INSTRUCTION BEFORE STARTING THE ASSEMBLY.**

**"DO NOT TIGHTEN SCREWS UNTIL COMPLETELY ASSEMBLED"**

**"DO NOT OVERTIGHT ANY HARDWARE"**

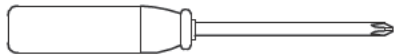
**WARNING : SMALL PARTS AND HARDWARE NOT FOR CHILDREN UNDER 3 YEARS. ADULT ASSEMBLY REQUIRED.**

## TABLE OF CONTENTS

HARDWARES LIST	PAGE 2
PARTS LIST	PAGE 3 - 4
PARTS' LOCATION	PAGE 5
ASSEMBLY STEPS	PAGE 6 - 14
ASSEMBLY COMPLETED	PAGE 15

## ASSEMBLY TOOLS REQUIRED

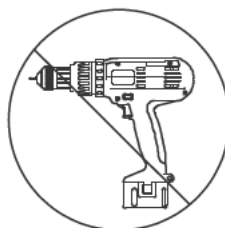
### 1. Screwdriver (not provide)



### 2. Hammer (not provide)





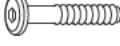
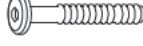










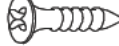



Skip the power drill this time.



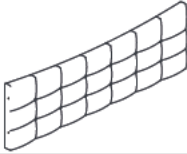
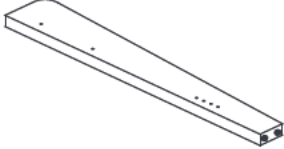
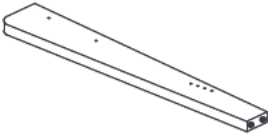
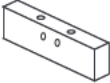
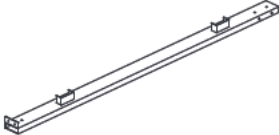
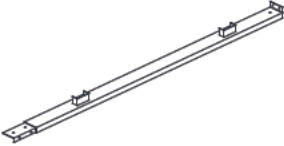
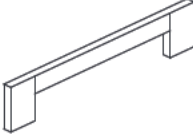

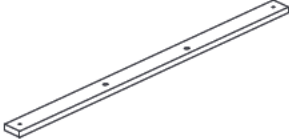
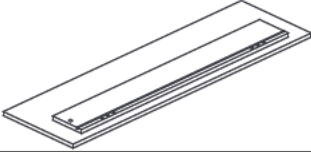

# -KING BED ASSEMBLY INSTRUCTION

## HARDWARES LIST

ITEM	DESCRIPTION	DRAWING	QTY
A	JCBC SCREW M8 x 70MM		4 PCS
B	WOOD DOWEL M10 x 30MM		4 PCS
C	JCBC SCREW M6 x 15MM		8 PCS
D	JCBC SCREW M6 x 20MM		16 PCS
E	JCBC SCREW M6 x 35MM		4 PCS
F	JCBC SCREW M6 x 50MM		2 PCS
G	SPRING WASHER M6 x 12MM		6 PCS
H	FLAT WASHER M6 x 19MM		6 PCS
I	SPRING WASHER M8 x 13MM		4 PCS
J	FLAT WASHER M8 x 22MM		4 PCS
K	M4 ALLEN KEY (100MM)		1 PC
L	M5 ALLEN KEY (65MM)		1 PC
M	SUPPORT LEG ADJUSTABLE FEET		6 PCS
N	WOOD DOWEL M6 x 30MM		20 PCS
O	MINIFIX CAM LOCK		10 PCS
P	MINIFIX BOLT		10 PCS
Q	CSK C/B SCREW (M4 x 16MM)		24 PCS
R	CSK C/B SCREW (M4 x 32MM)		2 PCS

# -KING BED ASSEMBLY INSTRUCTION

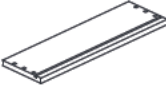

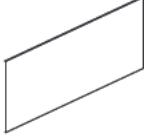


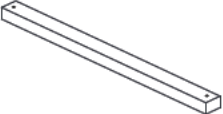
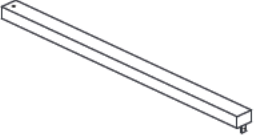
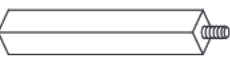
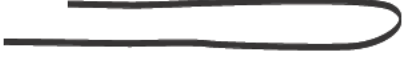
## PARTS LIST

ITEM	DESCRIPTION	DRAWING	QTY
1	HEADBOARD		1 PC
2	WING (L)		1 PC
3	WING (R)		1 PC
4	WING SUPPORT		2 PCS
5	SIDE RAIL (L/R)		2 PCS
6	SIDE RAIL (L/R)		2 PCS
7	FOOTBOARD		1 PC
8	SIDE RAIL LEG		2 PCS
9	SLAT WITH NUT		4 PCS
13	DRAWER FRONT PANEL		1 PC
14	DRAWER BACK PANEL		1 PC

MORE PARTS DETAIL N NEXT PAGE...

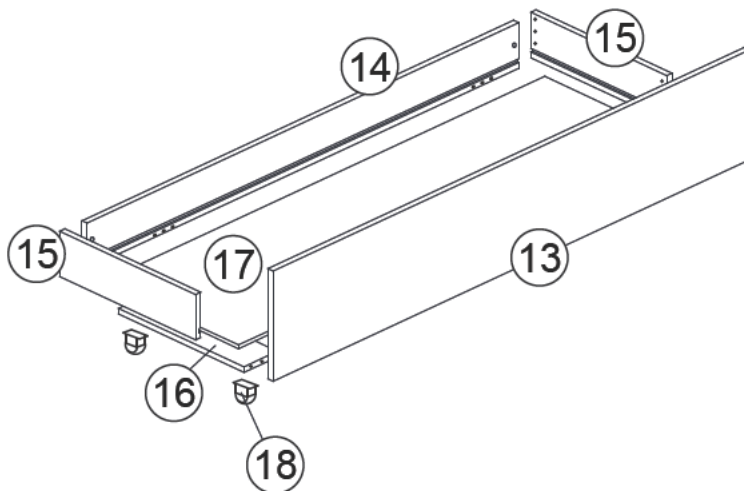
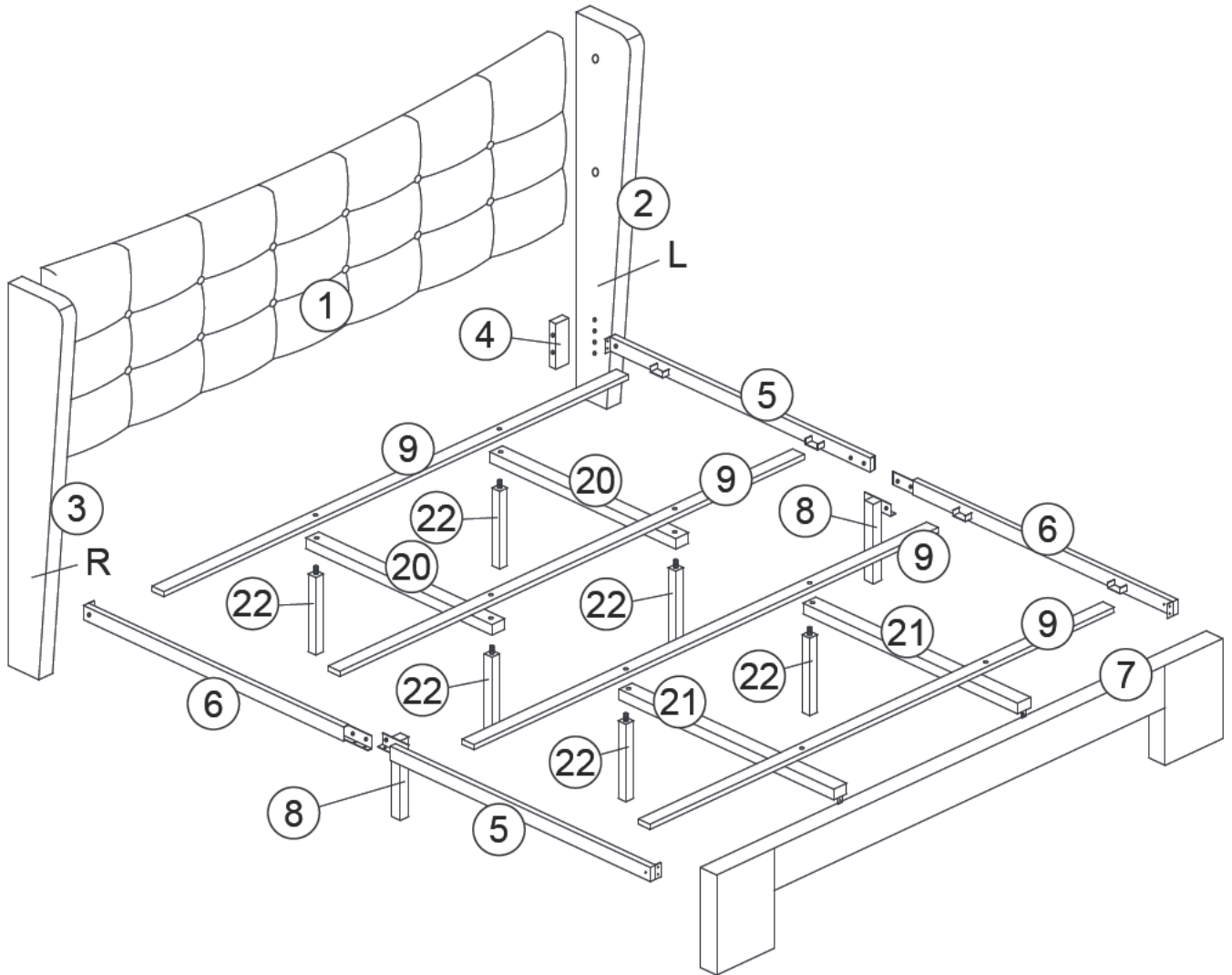
# -KING BED ASSEMBLY INSTRUCTION

## PARTS LIST

ITEM	DESCRIPTION	DRAWING	QTY
15	DRAWER SIDE PANEL		2 PCS
16	DRAWER SUPPORT		3 PCS
17	DRAWER PANEL		1 PC
18	CASTOR		6 PCS
19	SIDE RAIL COVER		2 PCS
20	CENTRA SUPPORT (SHORT)		2 PCS
21	CENTRA SUPPORT (LONG)		2 PCS
22	SUPPORT LEG WITH HANGER BOLT		6 PCS
24	SELF-ADHESIVE VELCRO TAPE		2 PCS

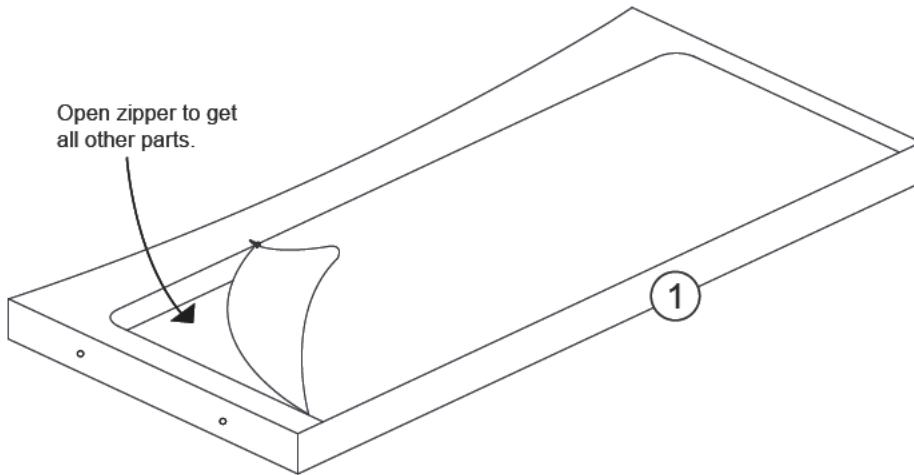
# -KING BED ASSEMBLY INSTRUCTION

## PARTS ' LOCATION

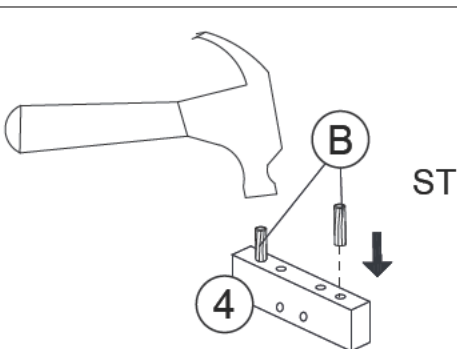
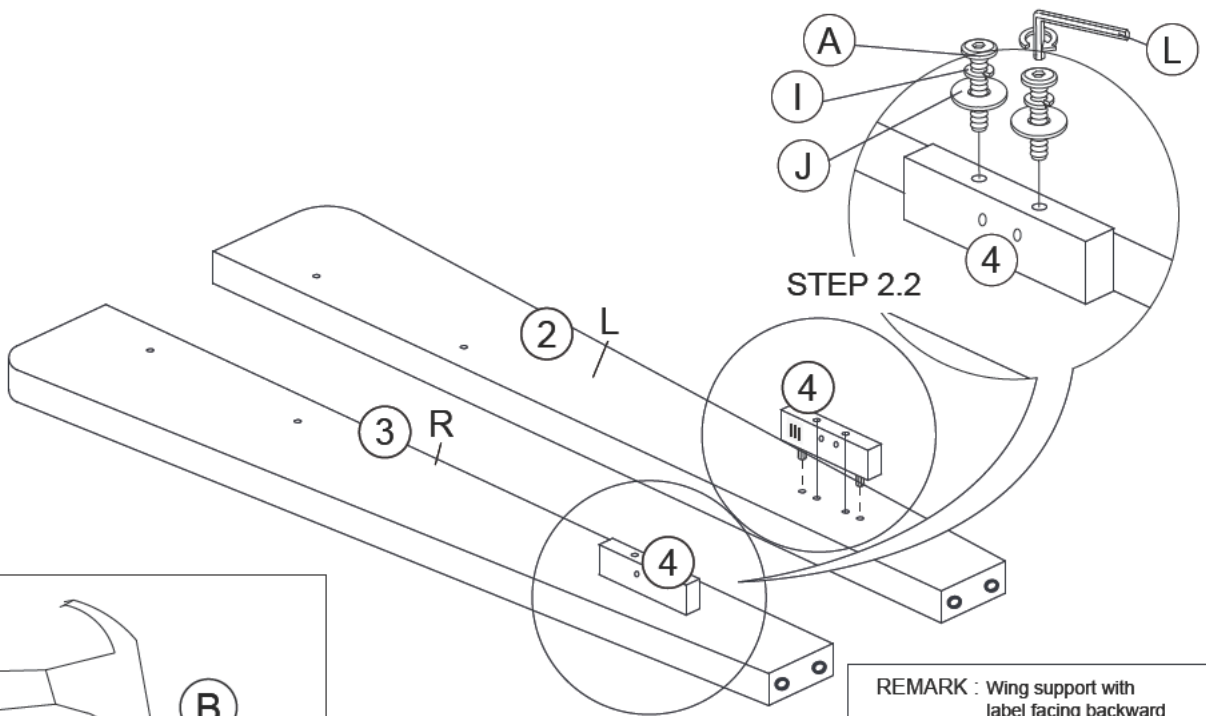


# -KING BED ASSEMBLY INSTRUCTION

## STEP 1



## STEP 2

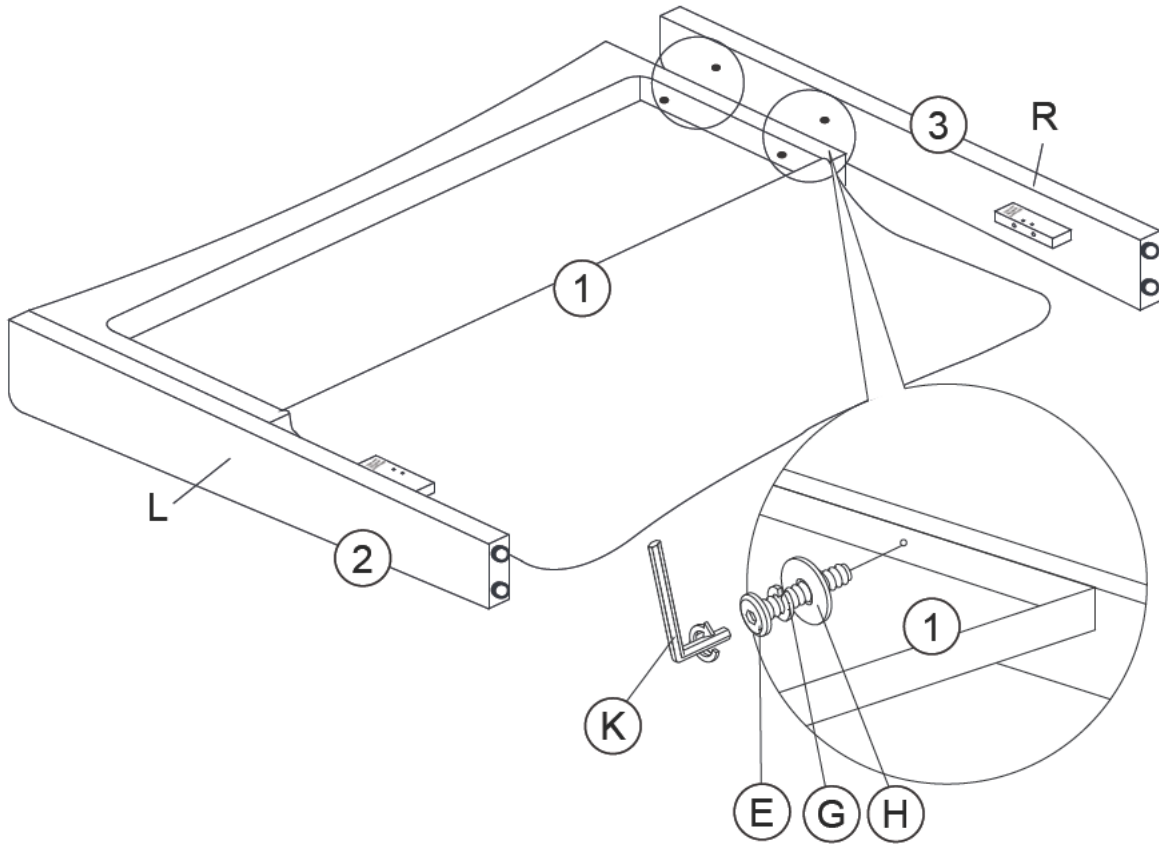


REMARK : Wing support with label facing backward

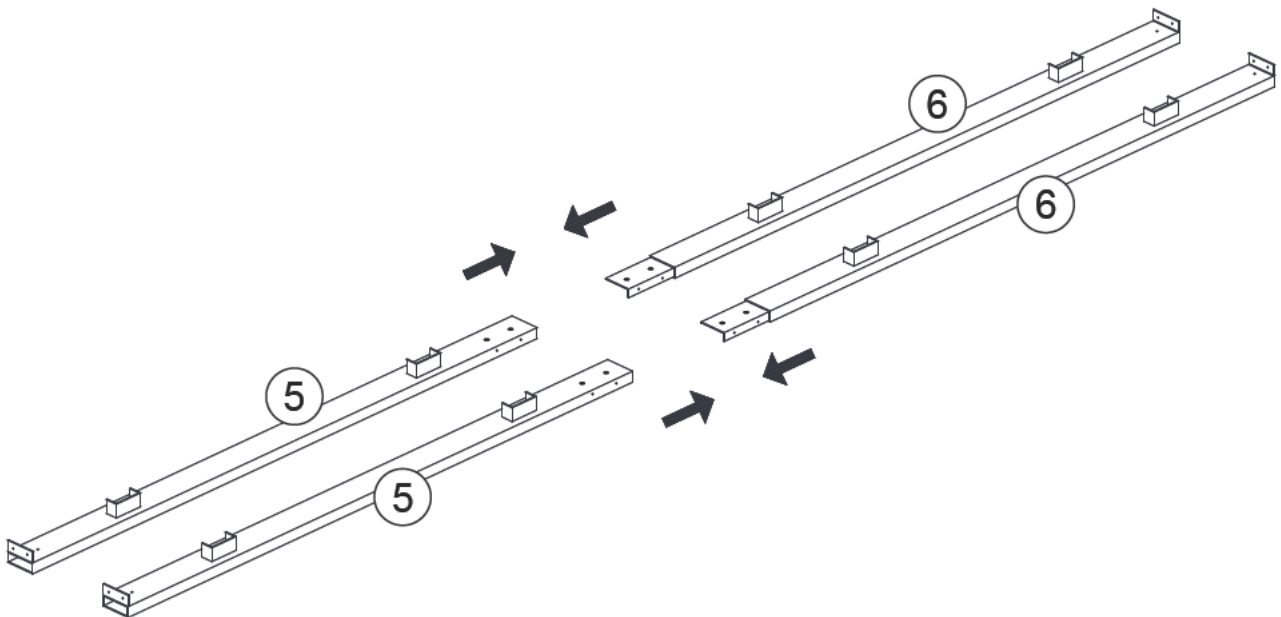


# -KING BED ASSEMBLY INSTRUCTION

## STEP 3

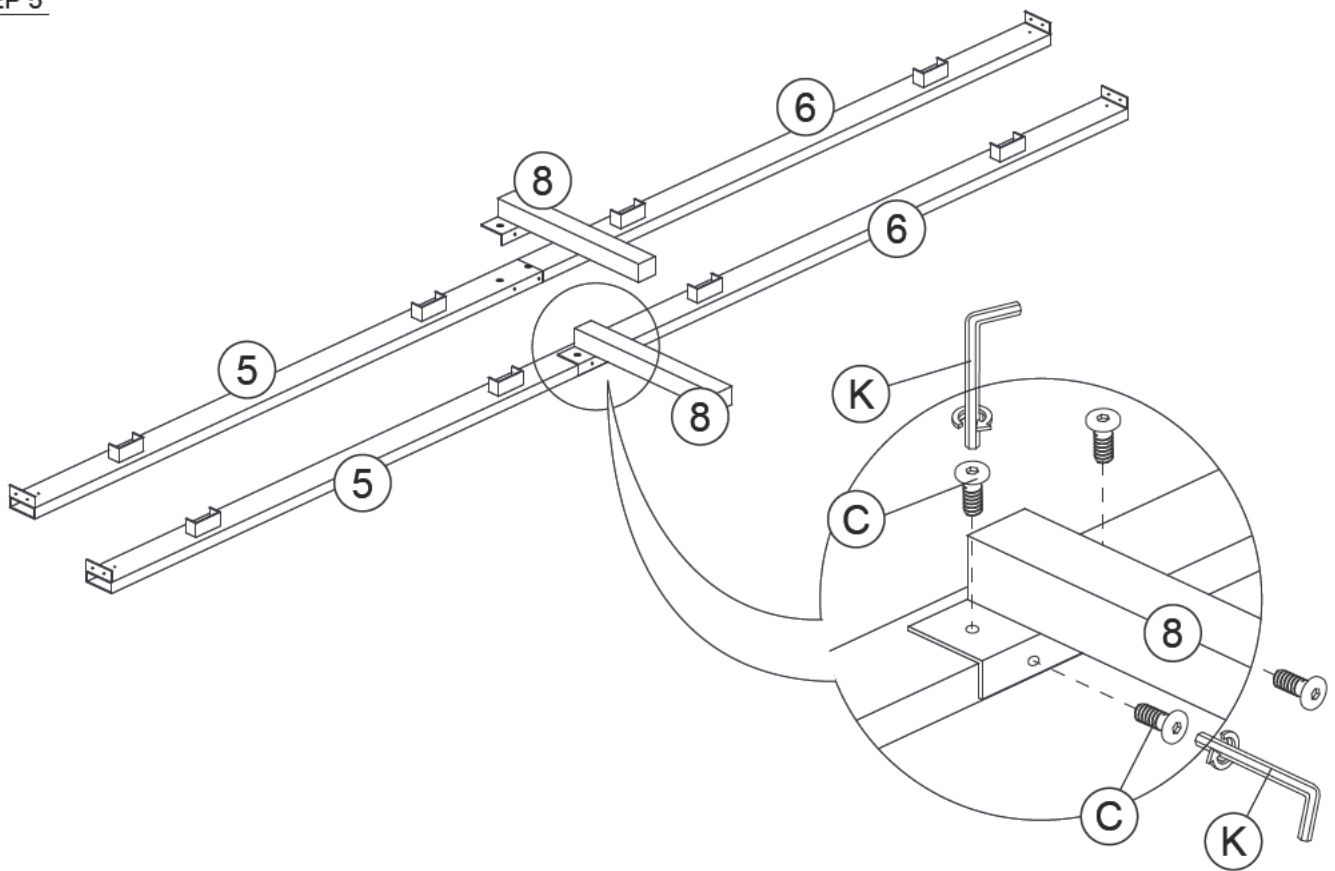


## STEP 4

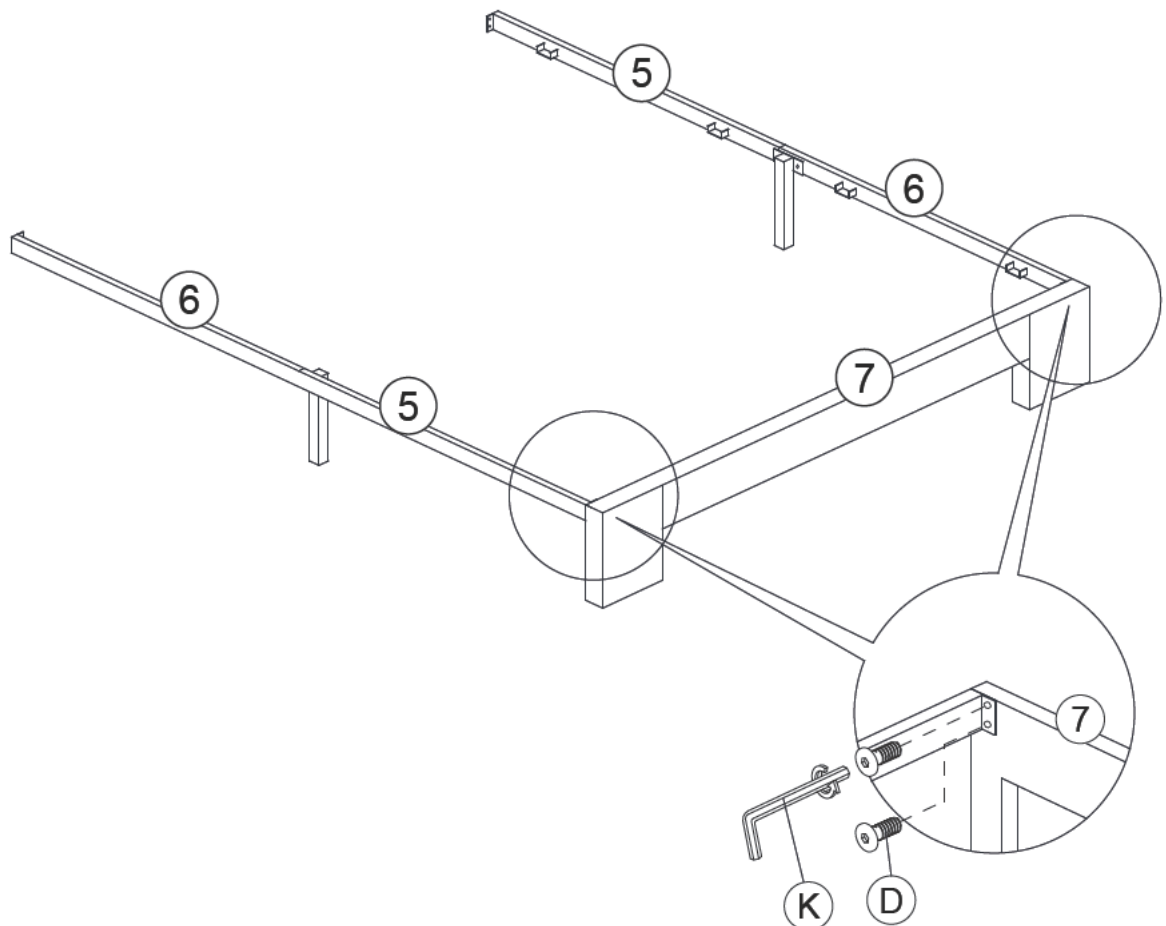


# -KING BED ASSEMBLY INSTRUCTION

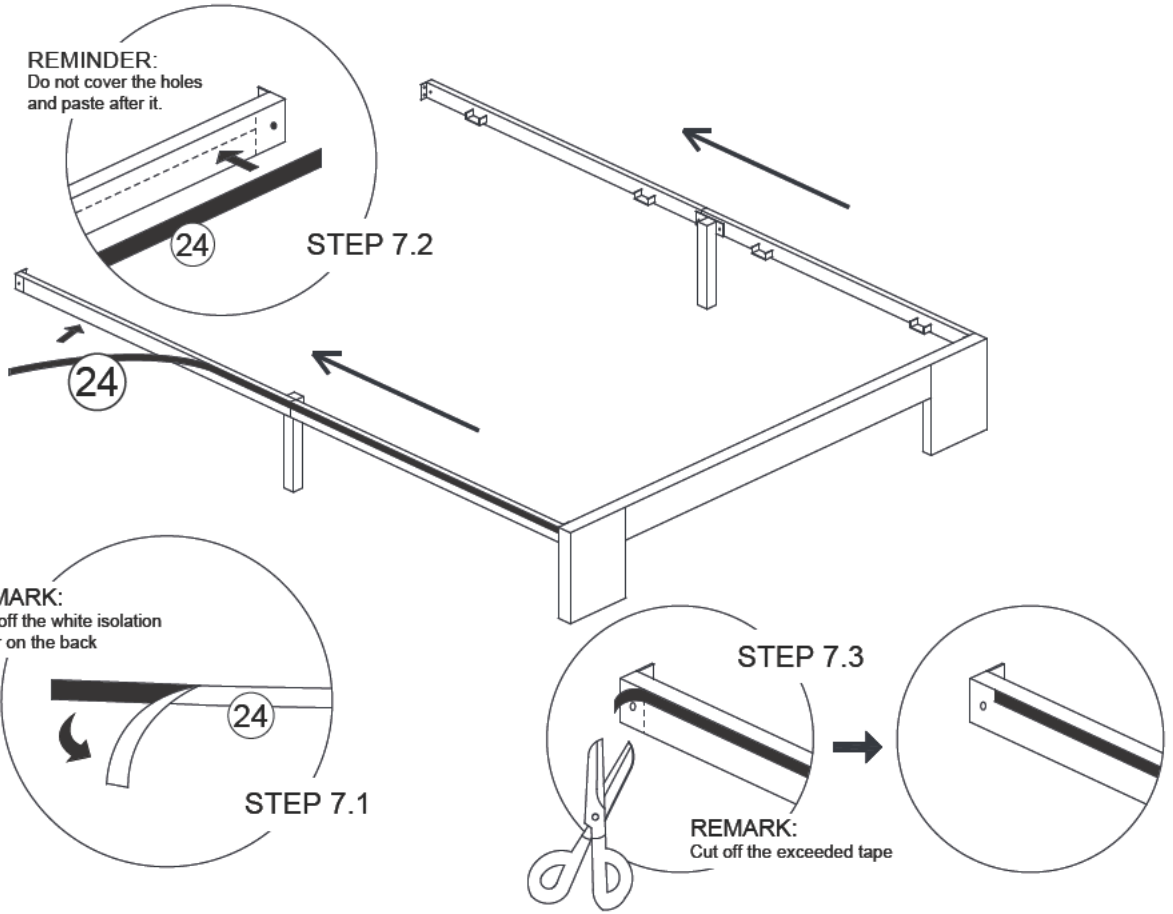
## STEP 5



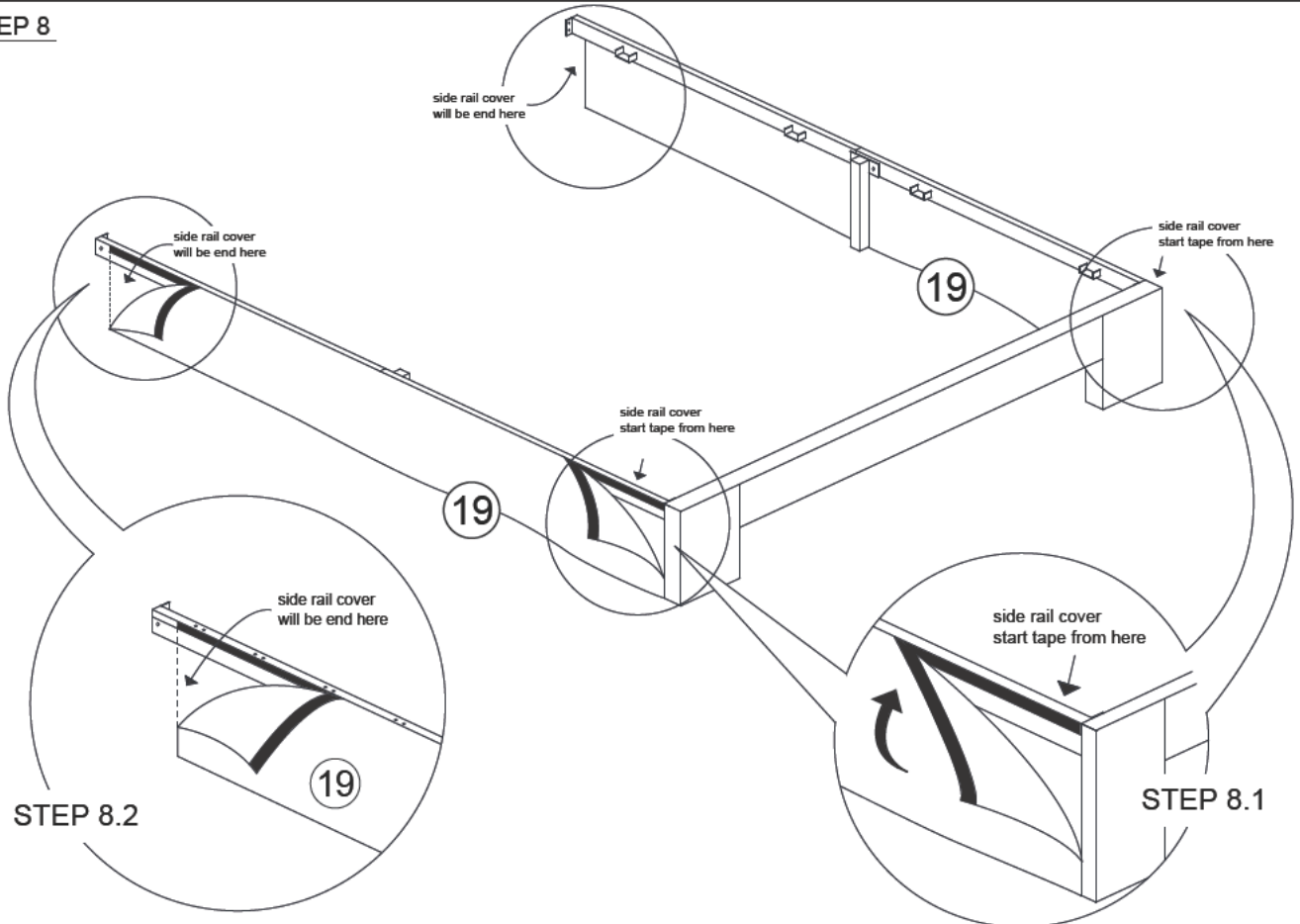
## STEP 6



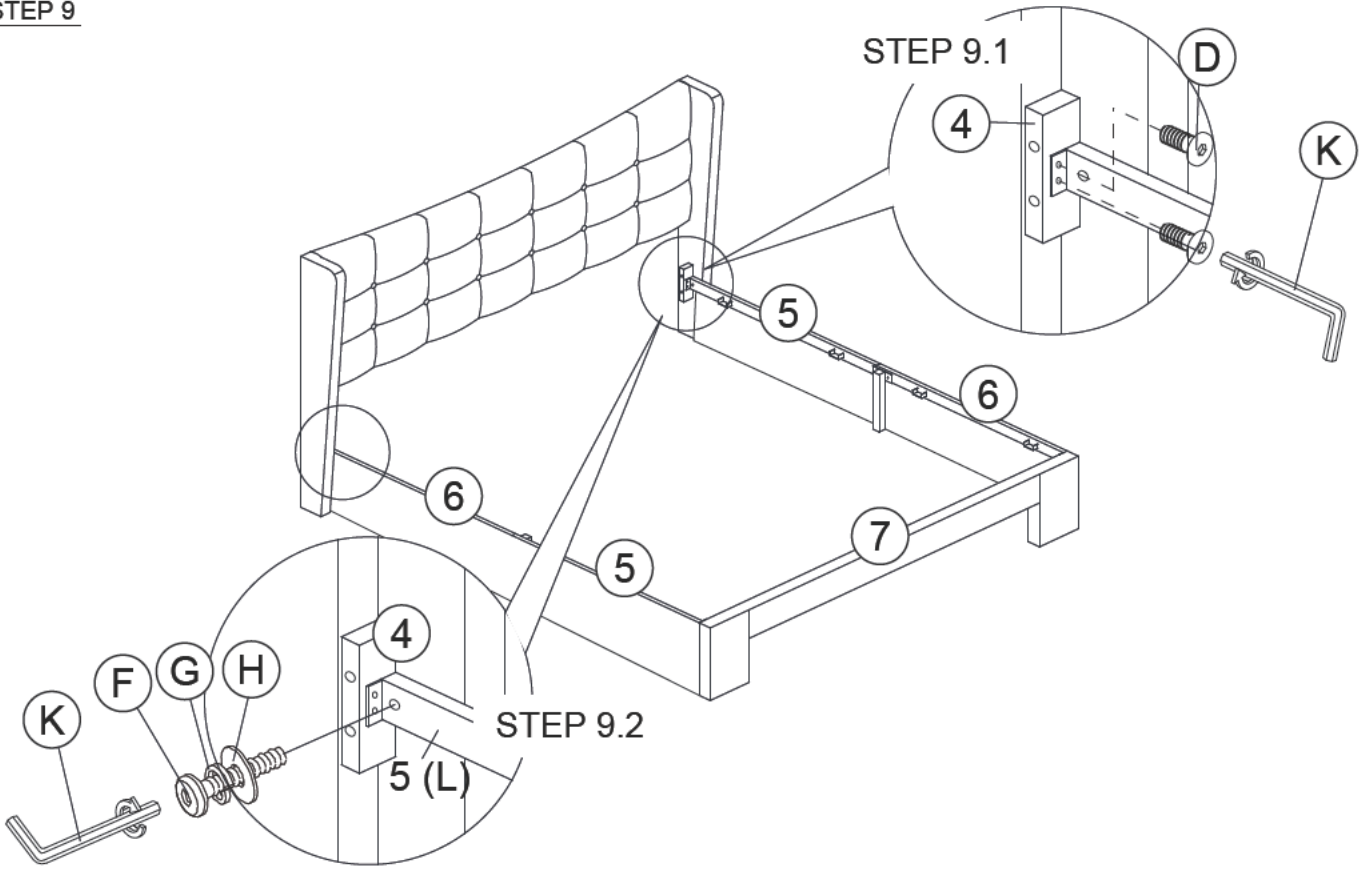
**STEP 7**



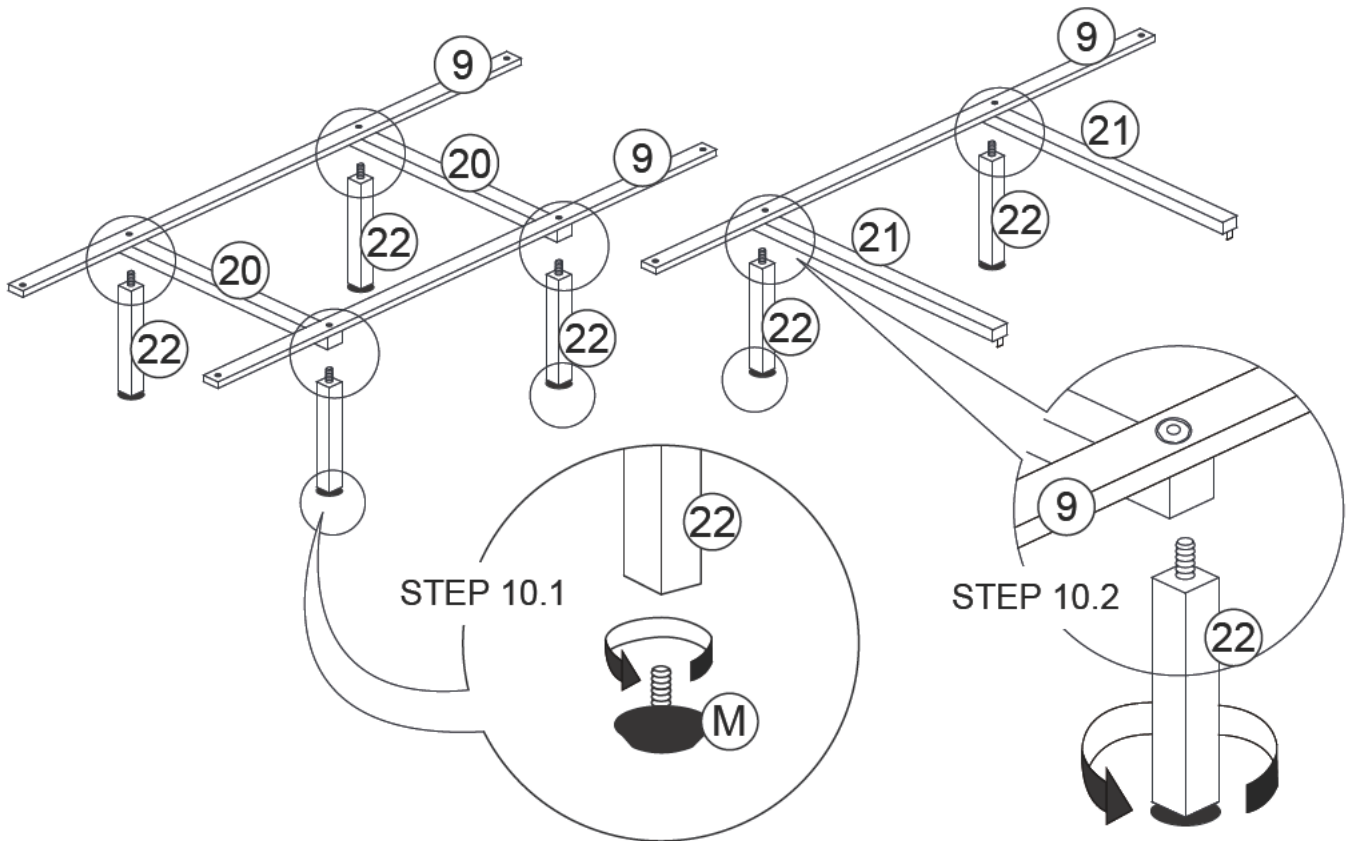
**STEP 8**



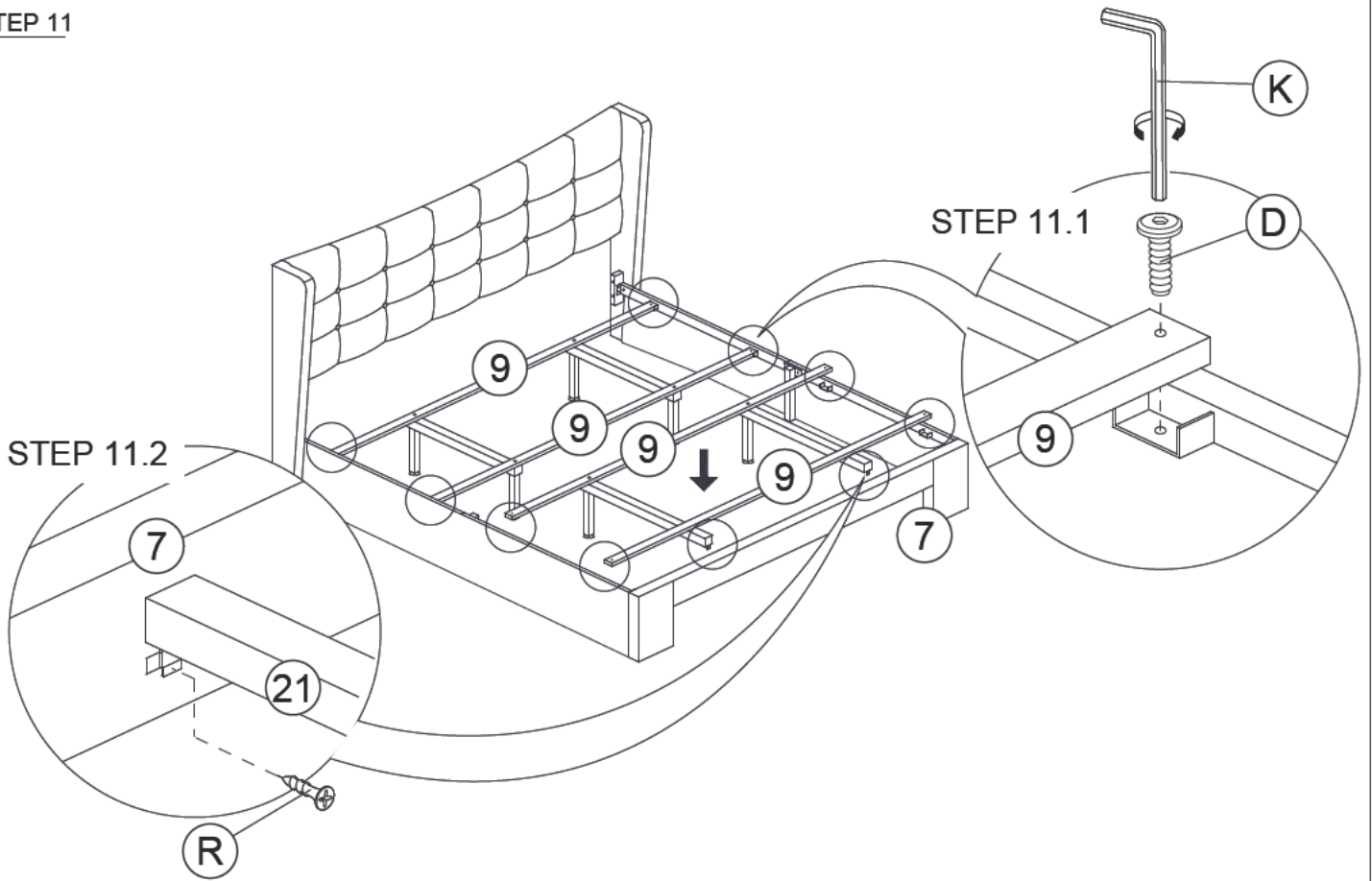
STEP 9



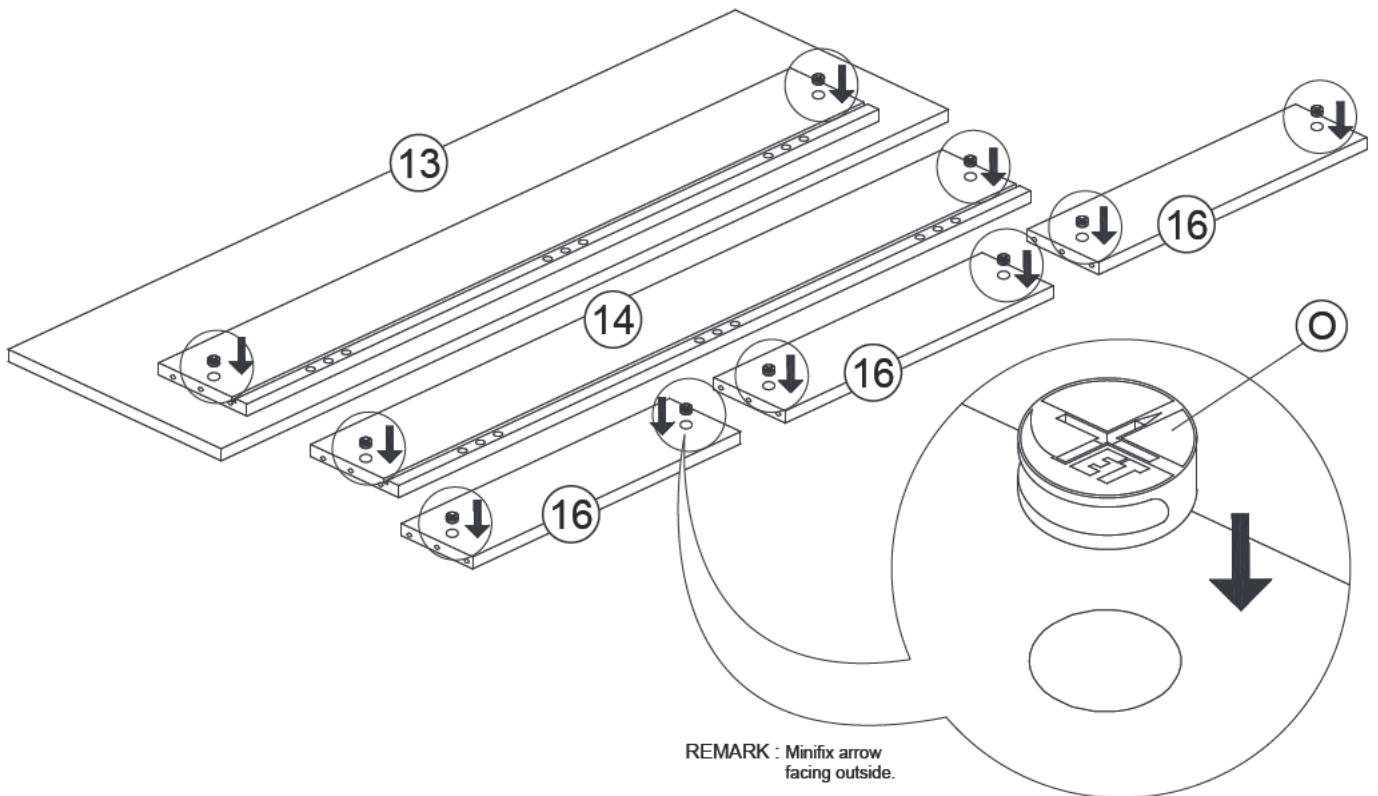
STEP 10



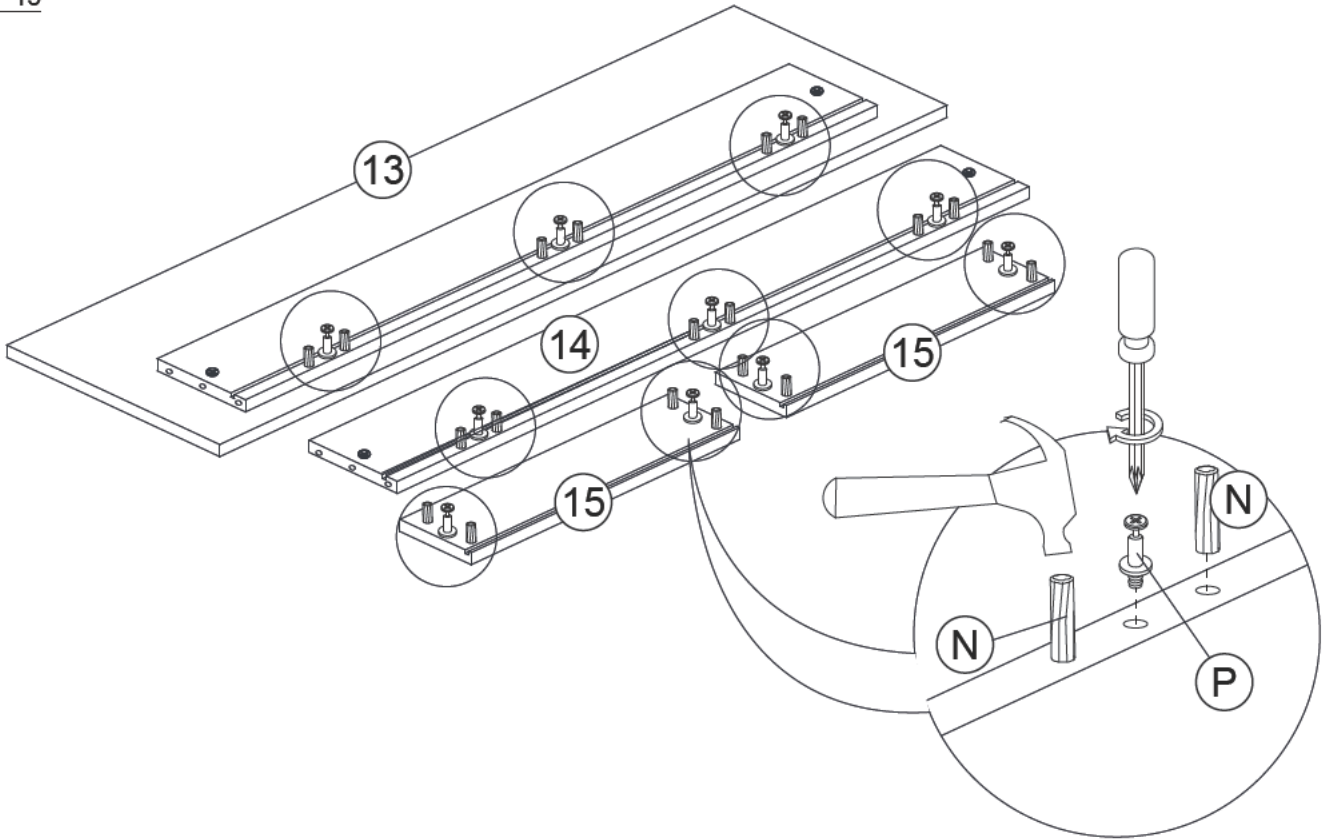
STEP 11



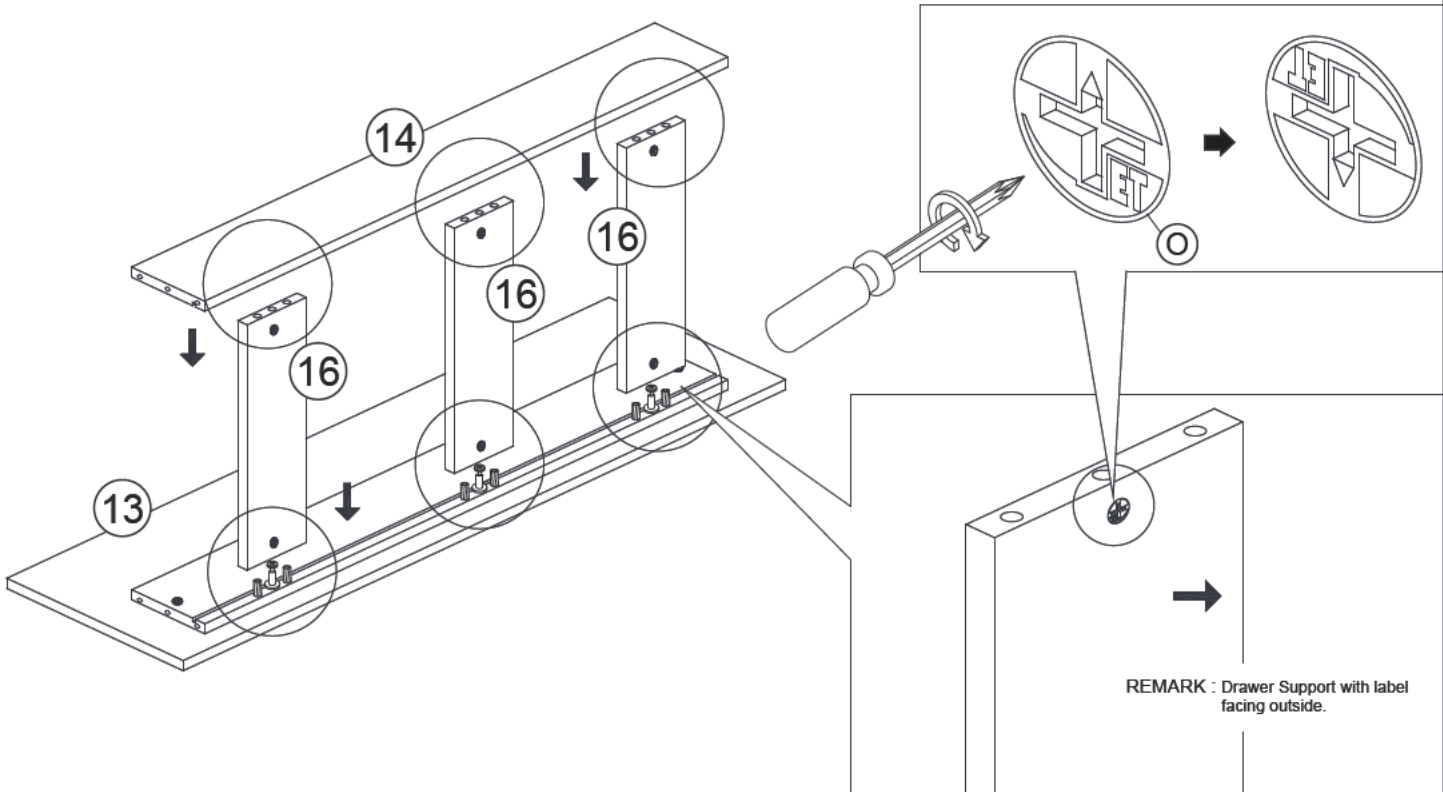
STEP 12



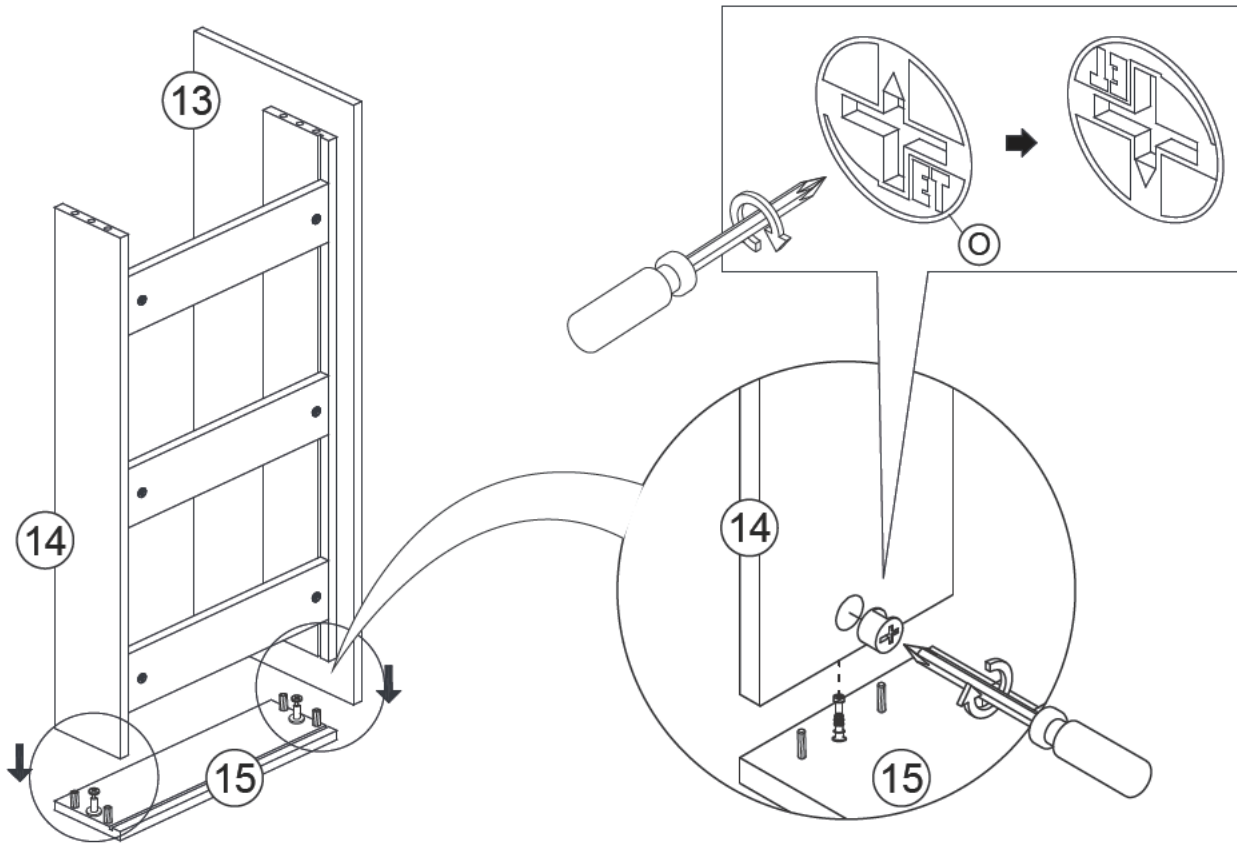
STEP 13



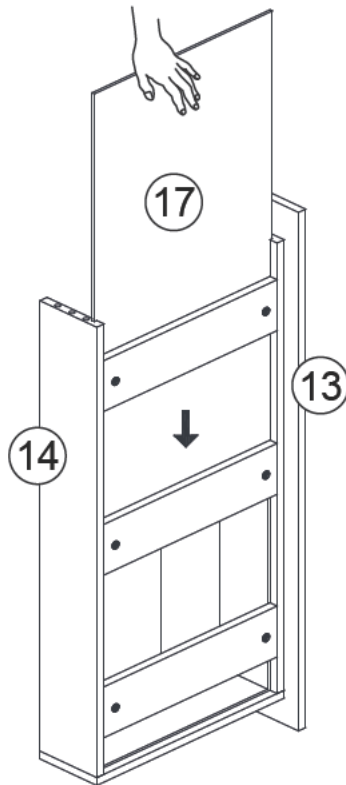
STEP 14



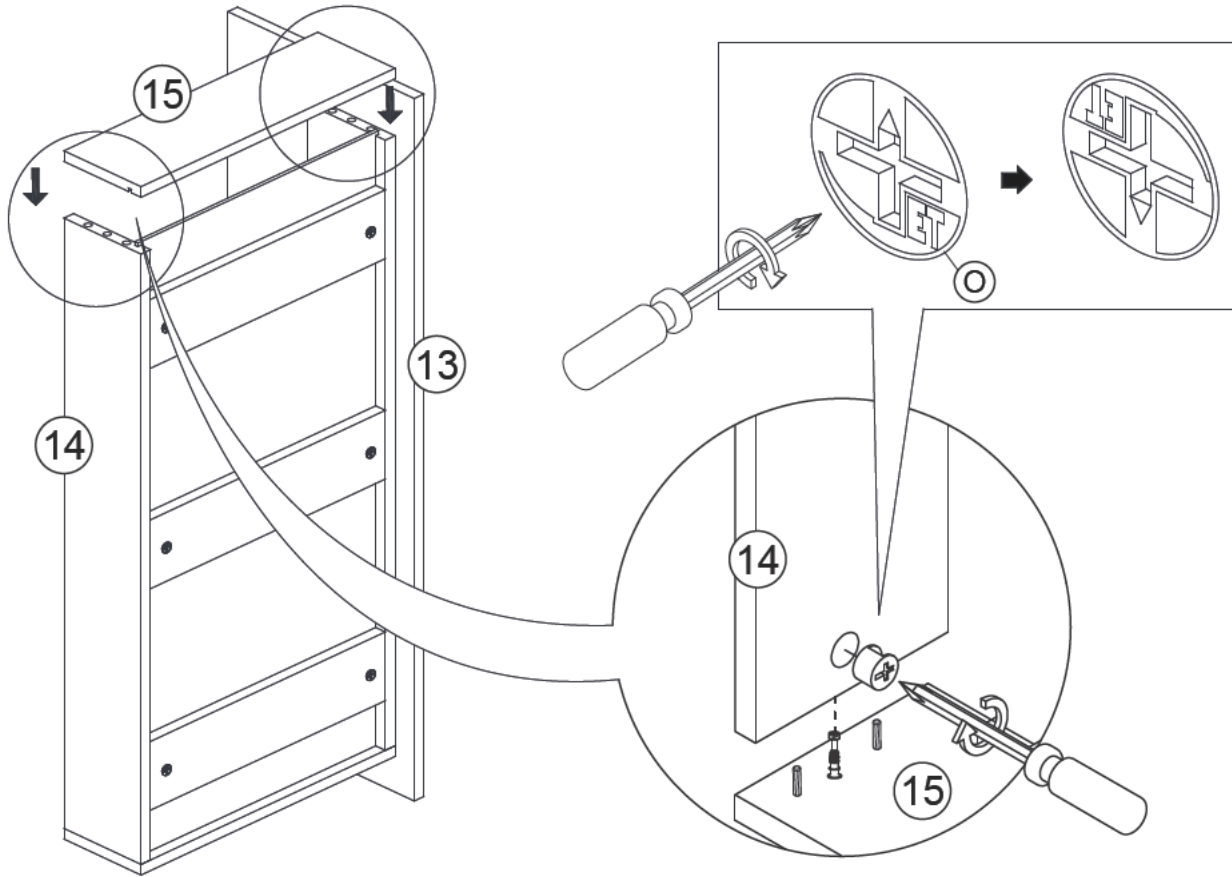
STEP 15



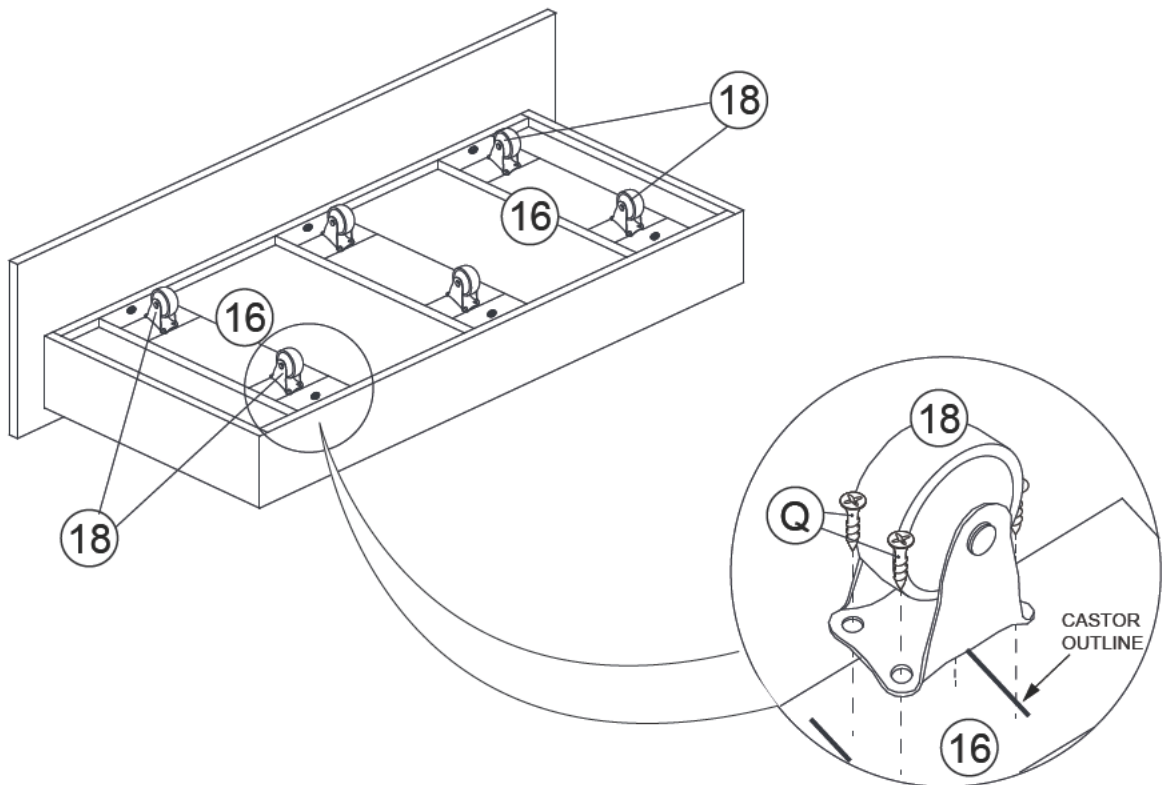
STEP 16



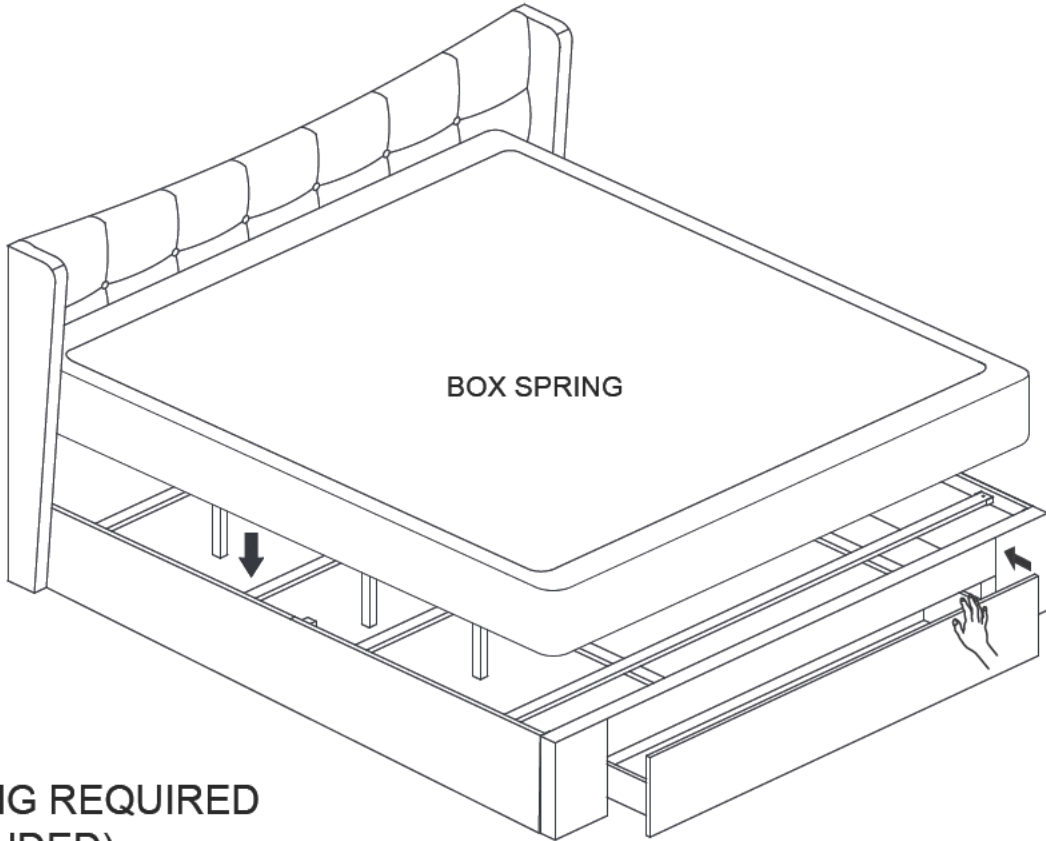
STEP 17



STEP 18

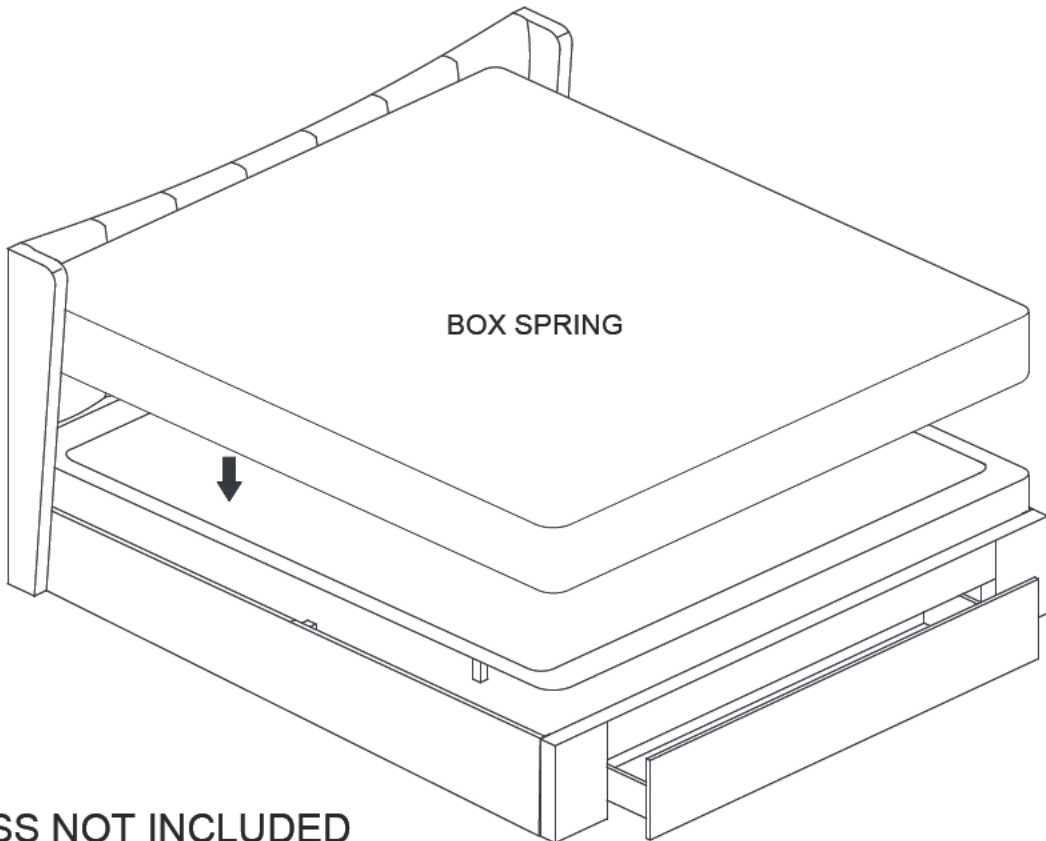


**STEP 19**



**BOX SPRING REQUIRED  
(NOT INCLUDED)**

**STEP 20**



**MATTRESS NOT INCLUDED**

**ASSEMBLY COMPLETED**