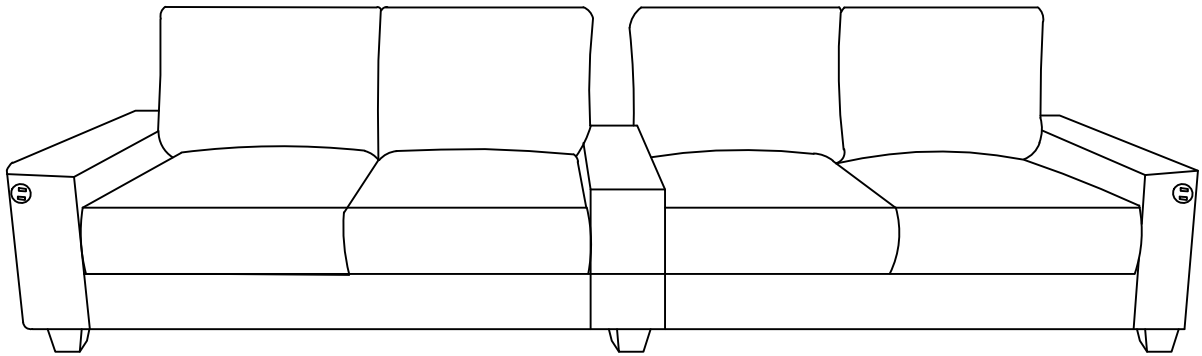


ASSEMBLY INSTRUCTIONS

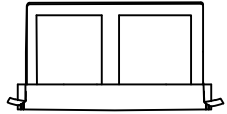
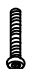
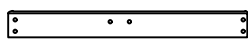
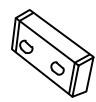
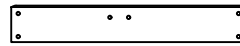
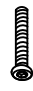
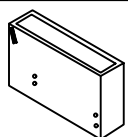
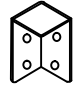
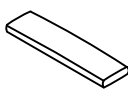

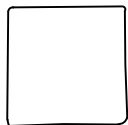

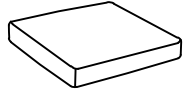

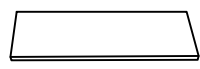





IMPORTANT NOTE

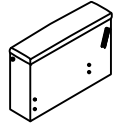
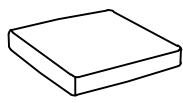
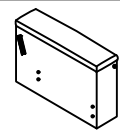
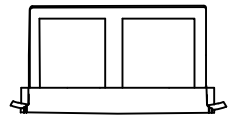
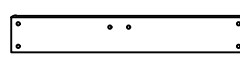
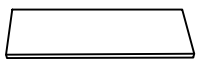
**Place all parts on a lean and smooth surface such as a rug or carpet to avoid the parts from being scratched.

**Before you begin, please review the assembly instruction step by step.

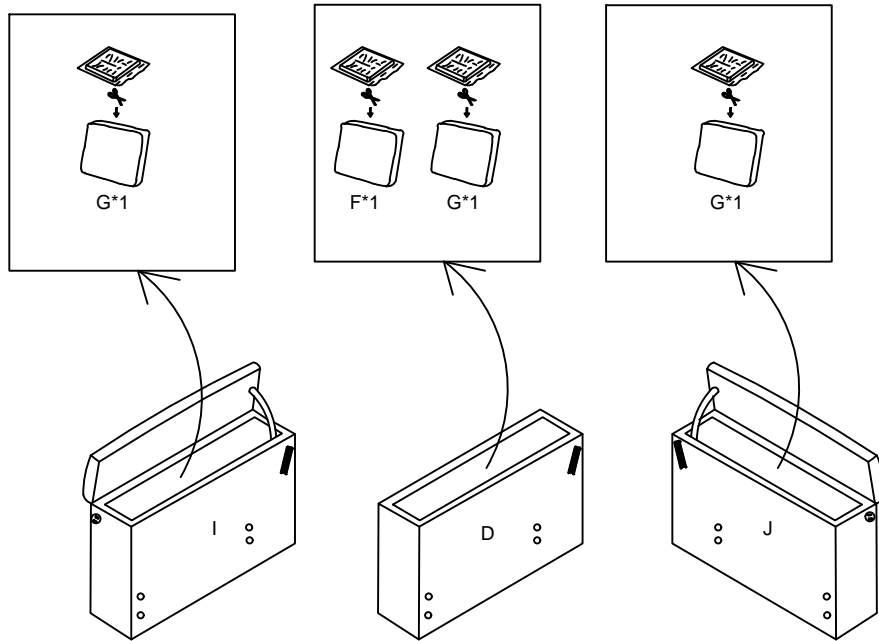
COMPONENT LIST

NO	DESCRIPTION	DRAWING	QTY	NO	DESCRIPTION	DRAWING	QTY
A	Backrest		1	②	6*35 Screw		8
B	Short side panel		2	③	Square hardware		4
C	Long side panel		1	④	8*90 Screw		6
D	Armrest		1	⑤	Bracket		8
E	Trim panel		1	⑥	6*25 Screw		32
F	Back cushion		2	⑦	M4*65*23mm Wrench		1
G	Seat cushion		2	⑧	M5*105*55mm Wrench		1
H	Cover plate		1	⑨	18mm Color gasket		46
①	Sofa foot		6	⑩	USB		2

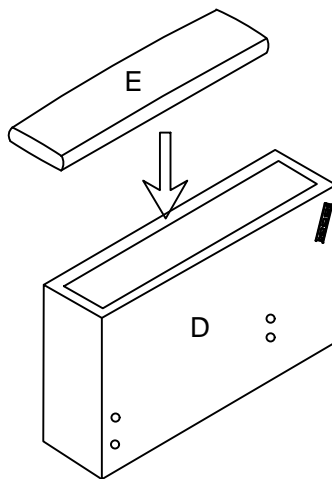
COMPONENT LIST

I	Right armrest		1	G	Seat cushion		2
J	Left armrest		1	A	Backrest		1
C	Long side panel		1	H	Cover plate		1

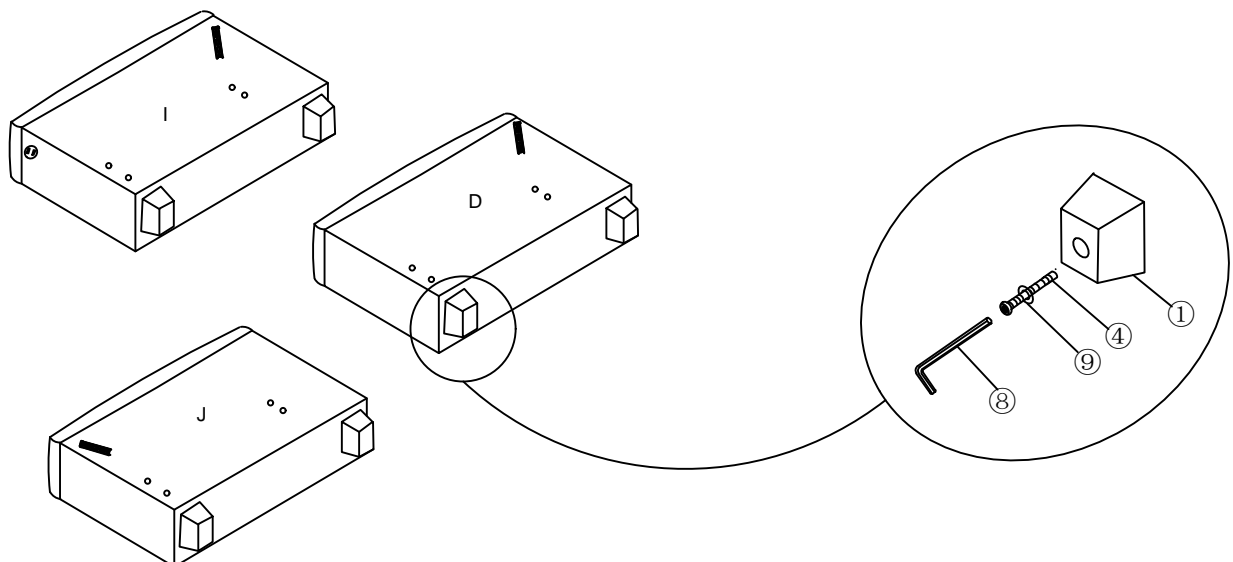
STEP 1: Take out the accessories from the armrest



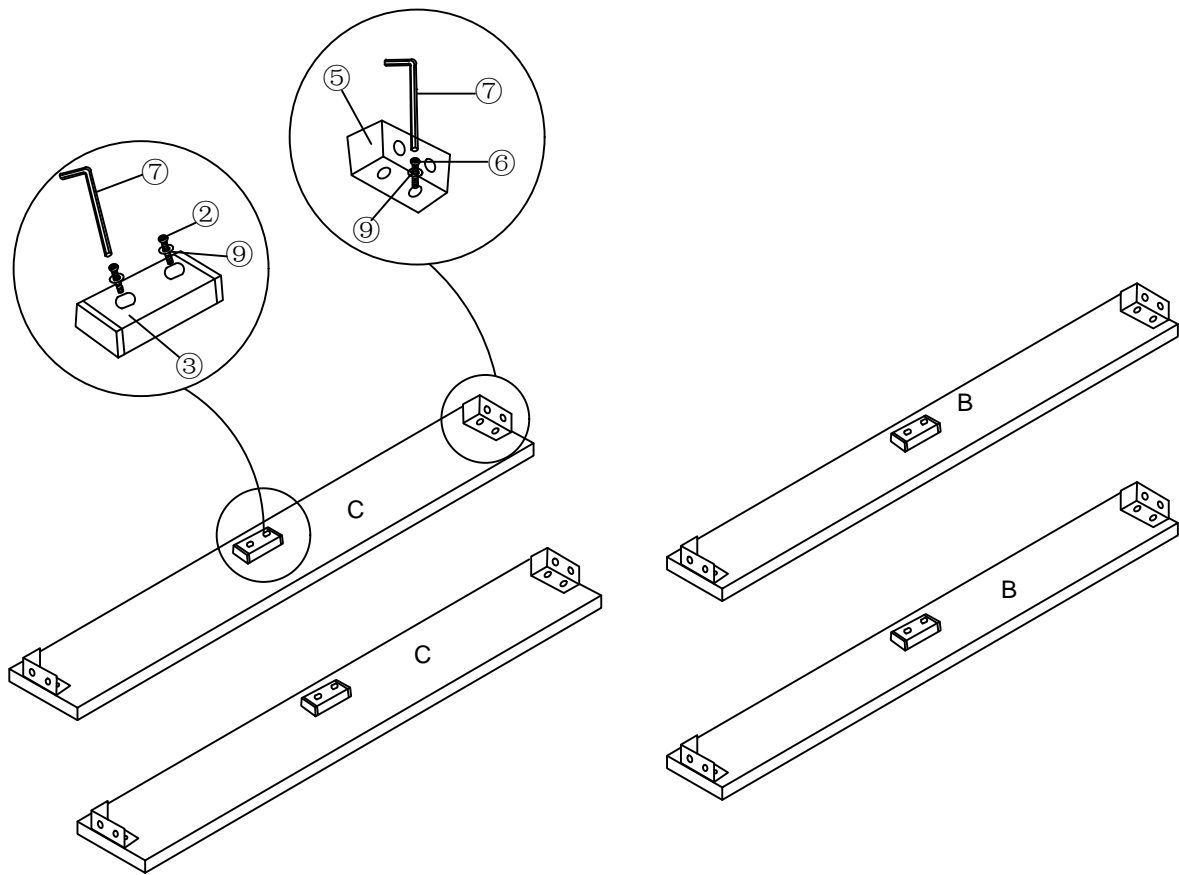
STEP 2: Put on the armrest decorative panel



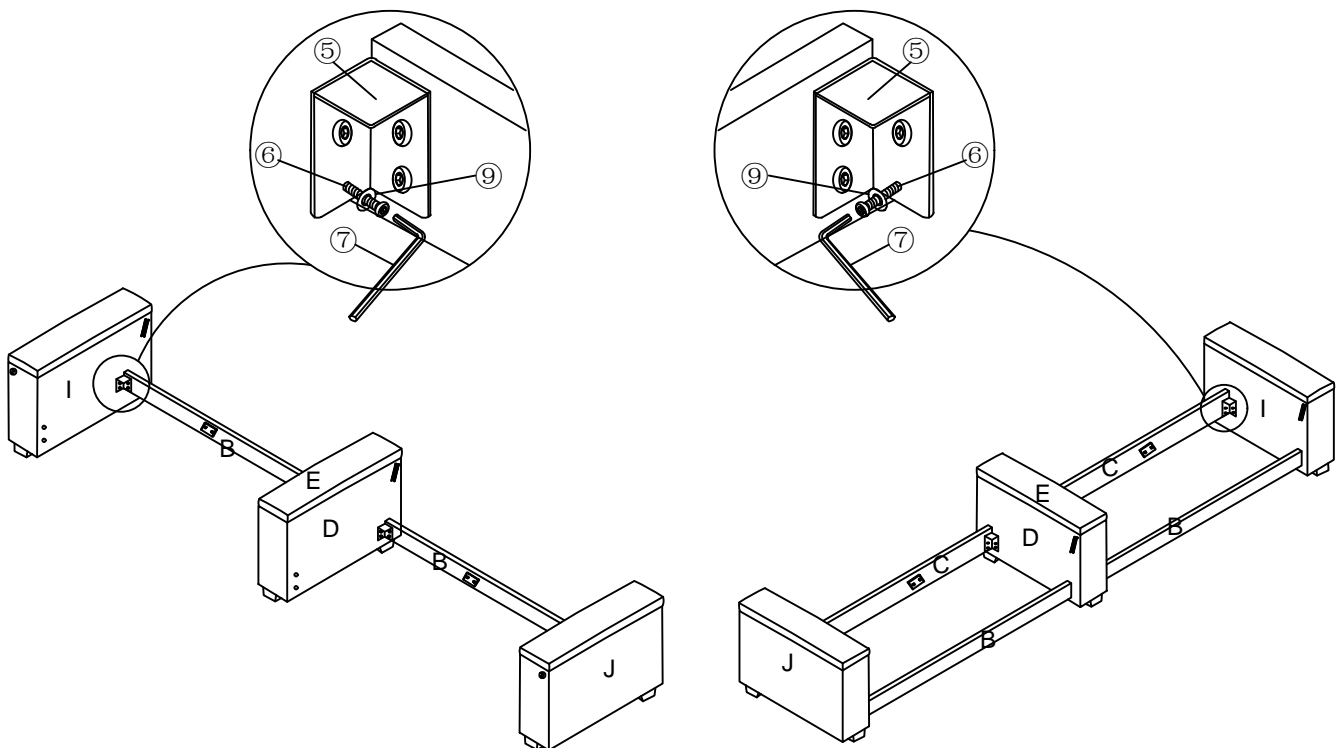
STEP 3: Install sofa legs



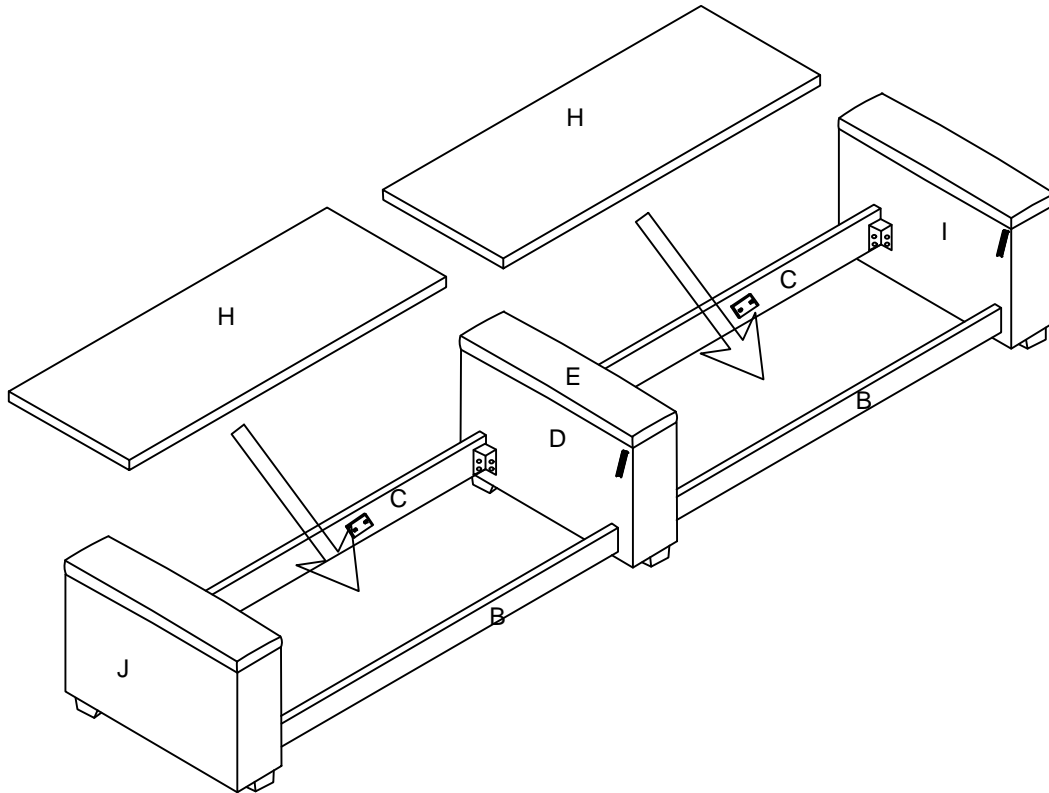
STEP 4: Install side panel hardware



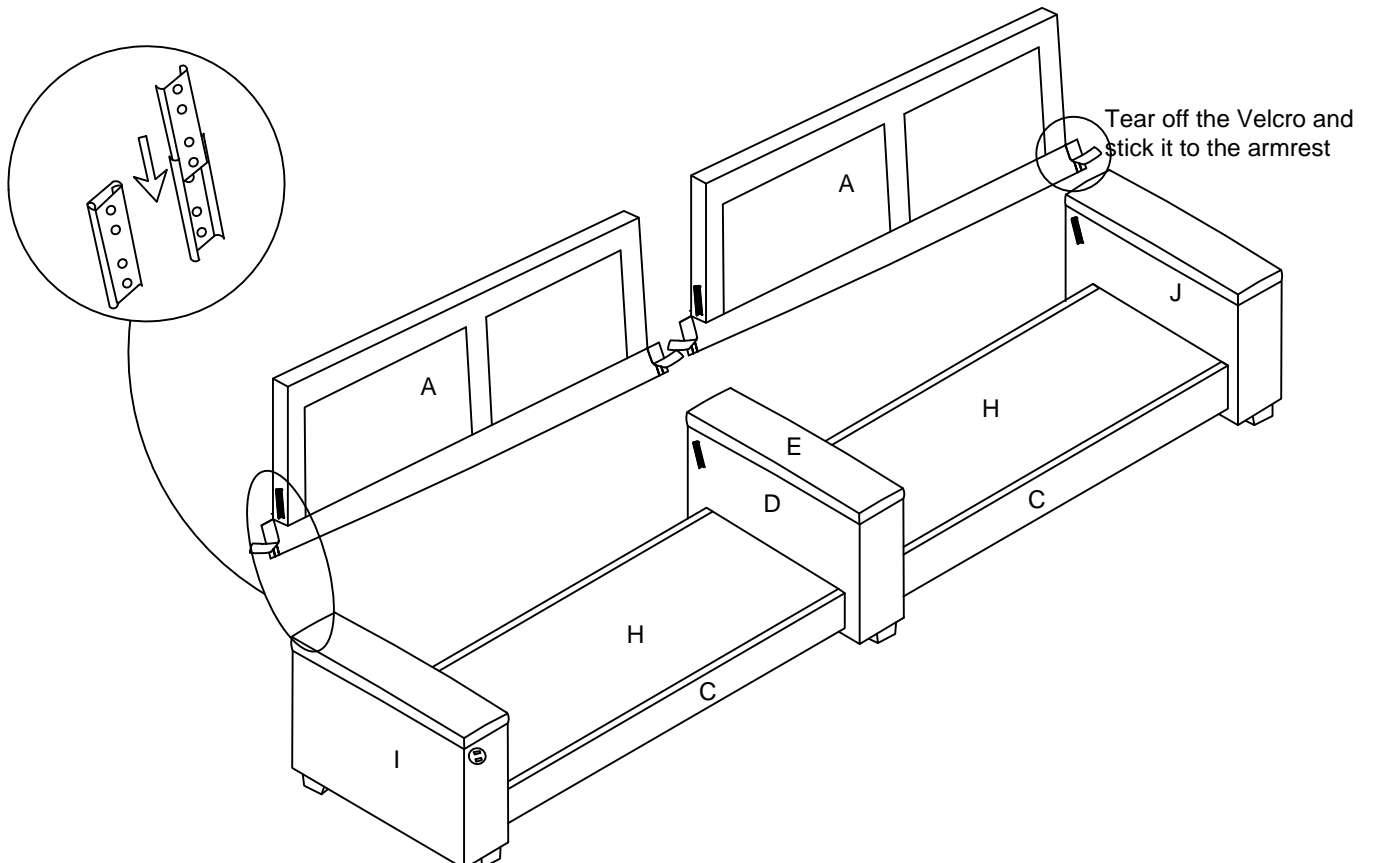
STEP 5: Install hardware



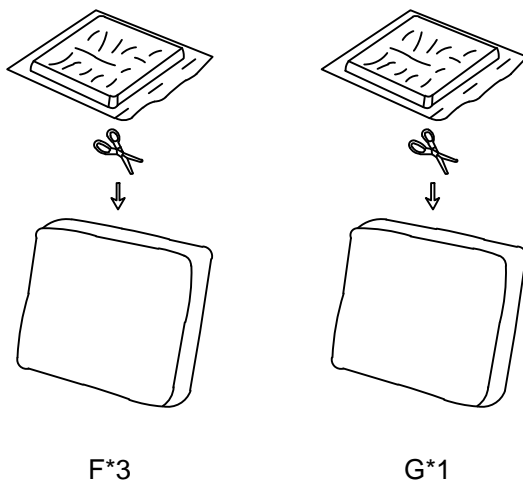
STEP 6: Put on the cover plate



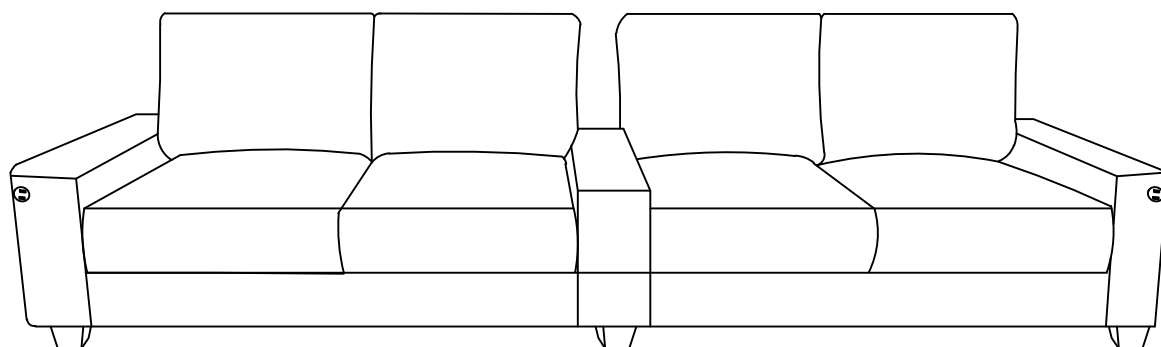
STEP 7: Install the backrest



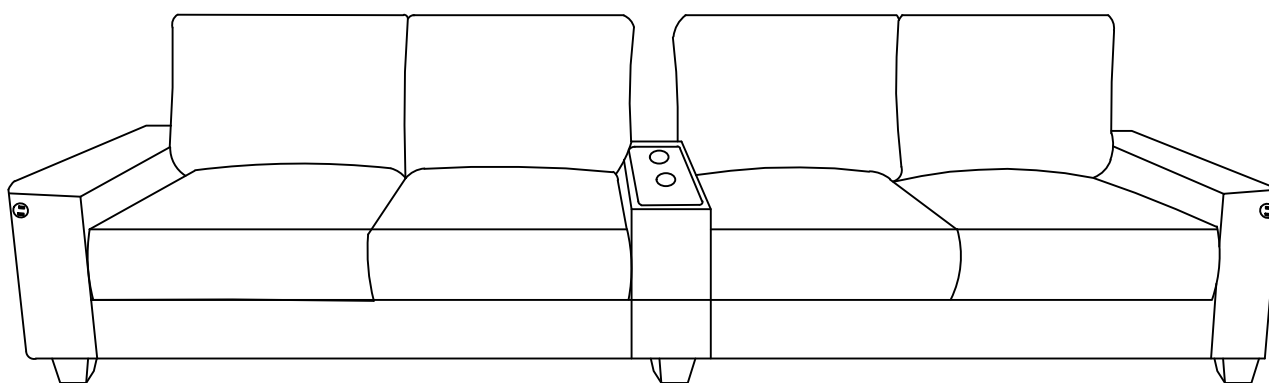
STEP 8: Cut the compression bags



STEP 9: Assembly completed



STEP 10:
Open the coffee table, Assembly completed



The product has compression parts,
Please pat them by hand and wait 72 hours, the cushions will be recover.