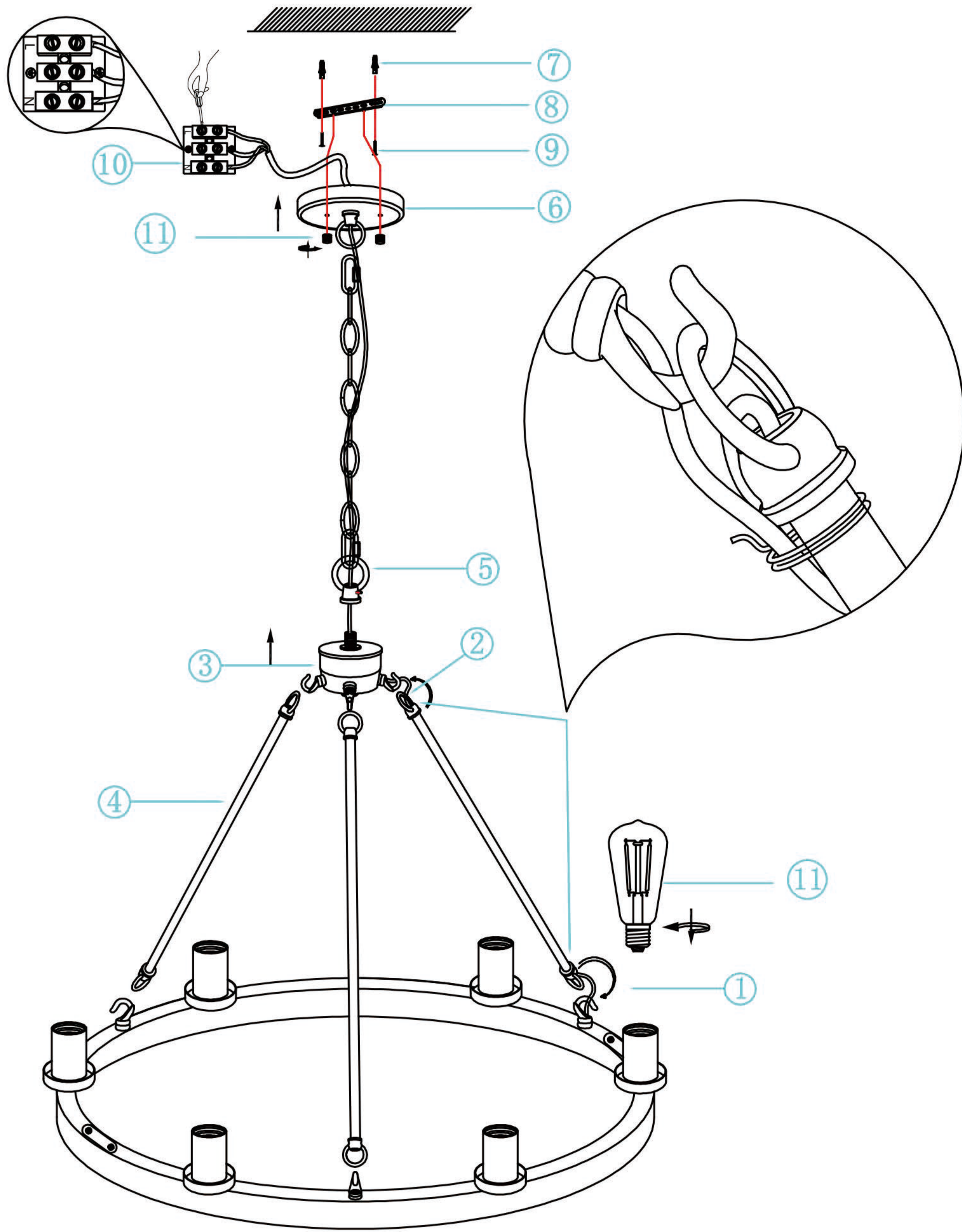


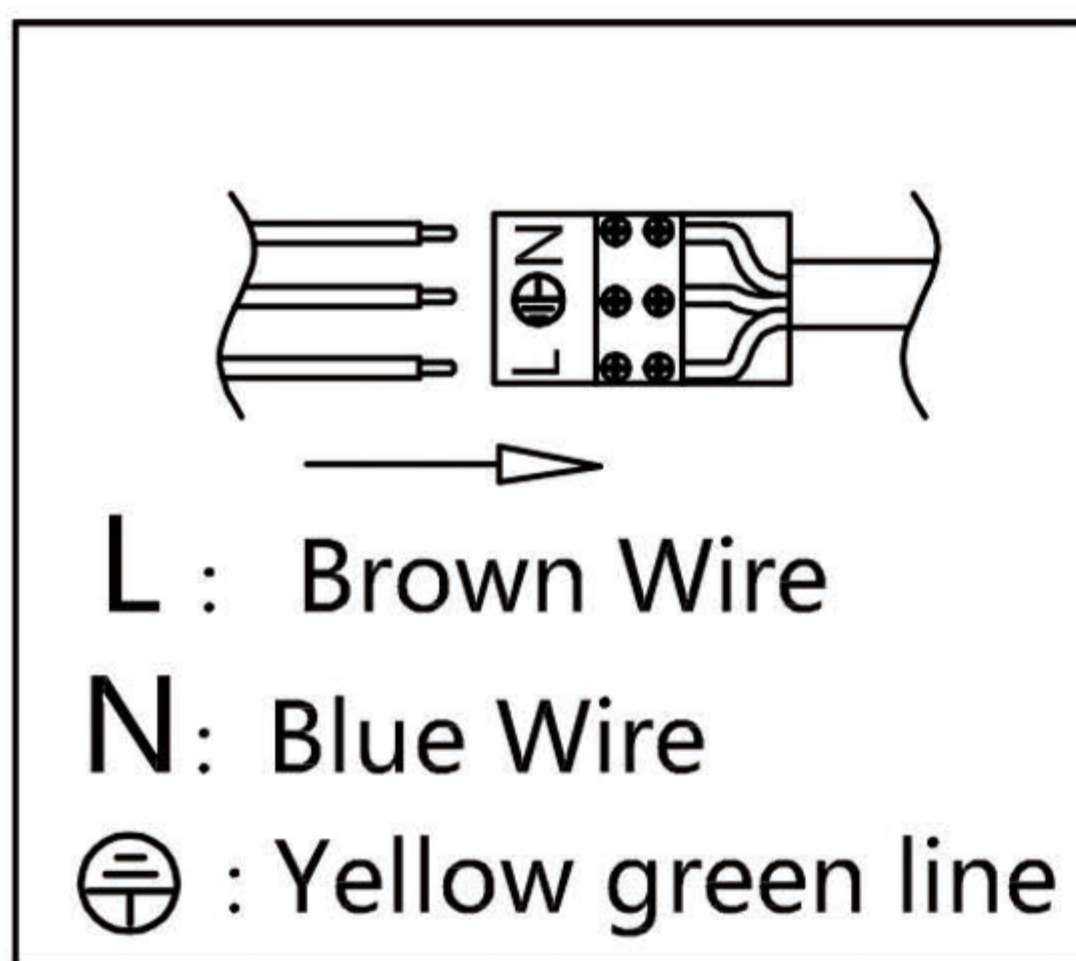
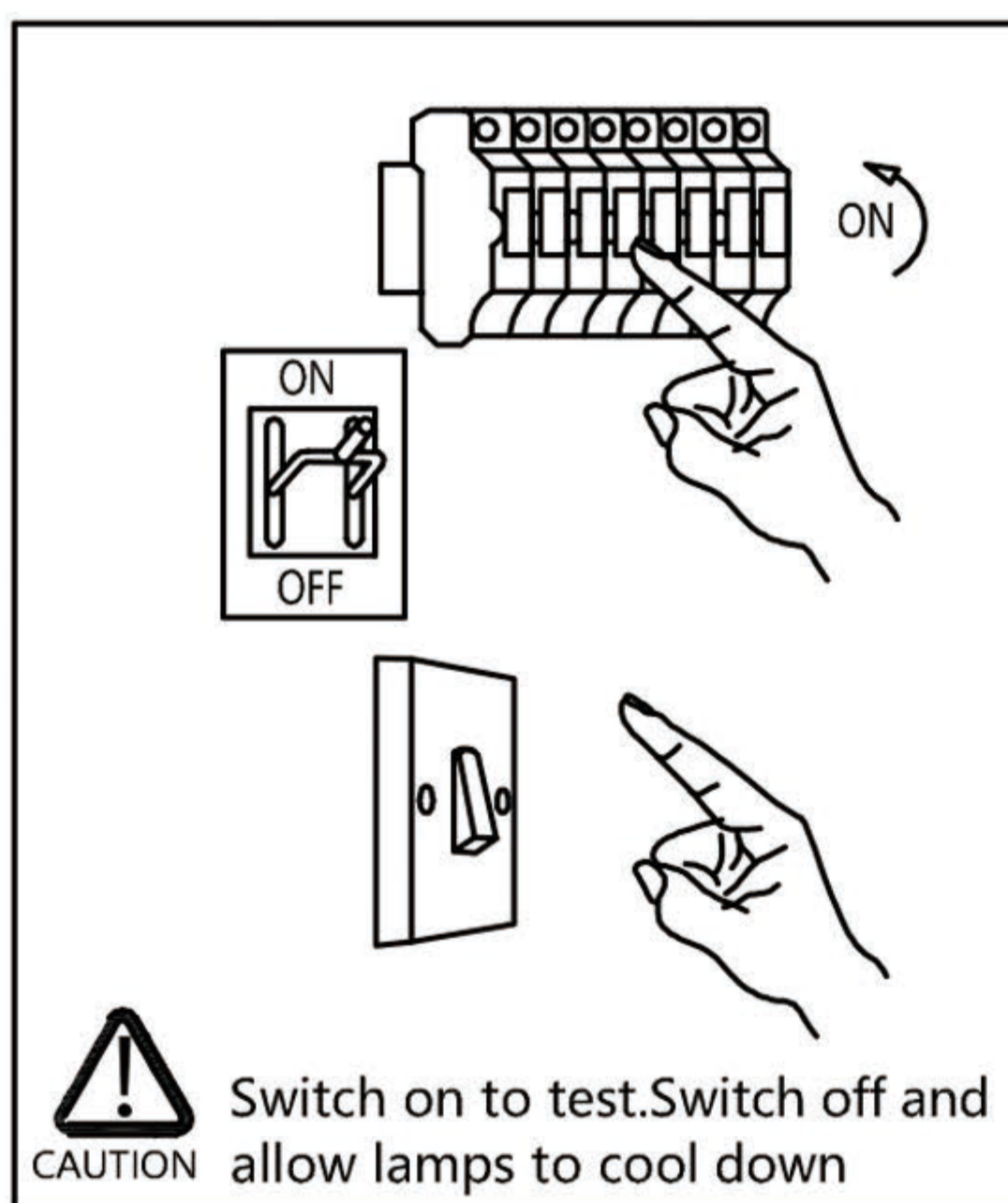
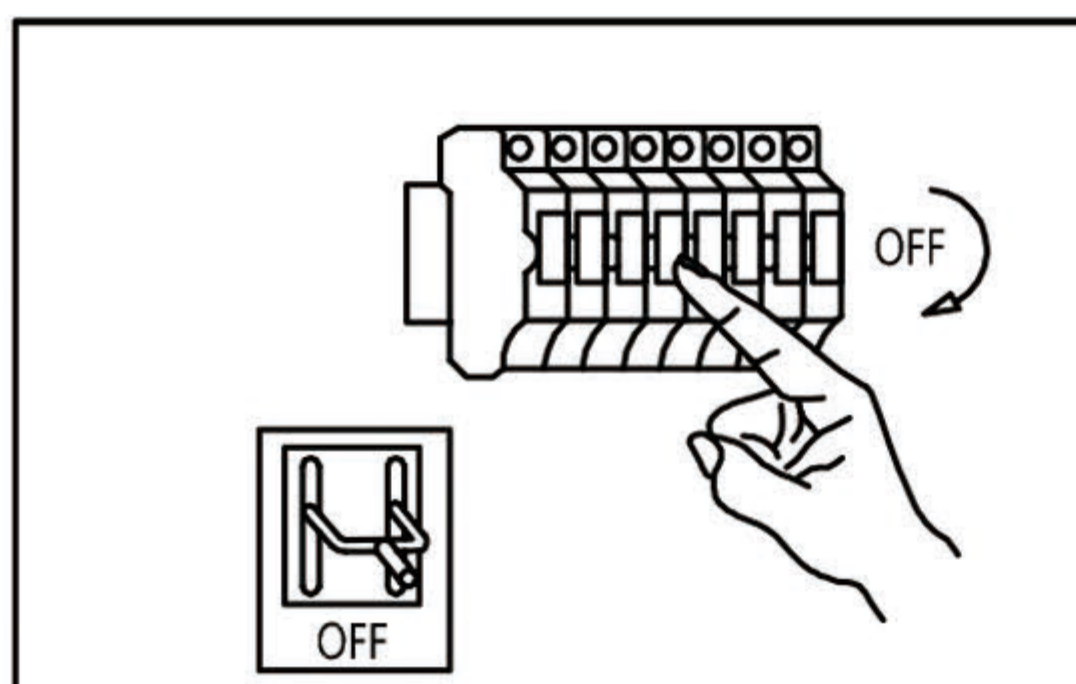
FIXTURE ASSEMBLY STEPS:



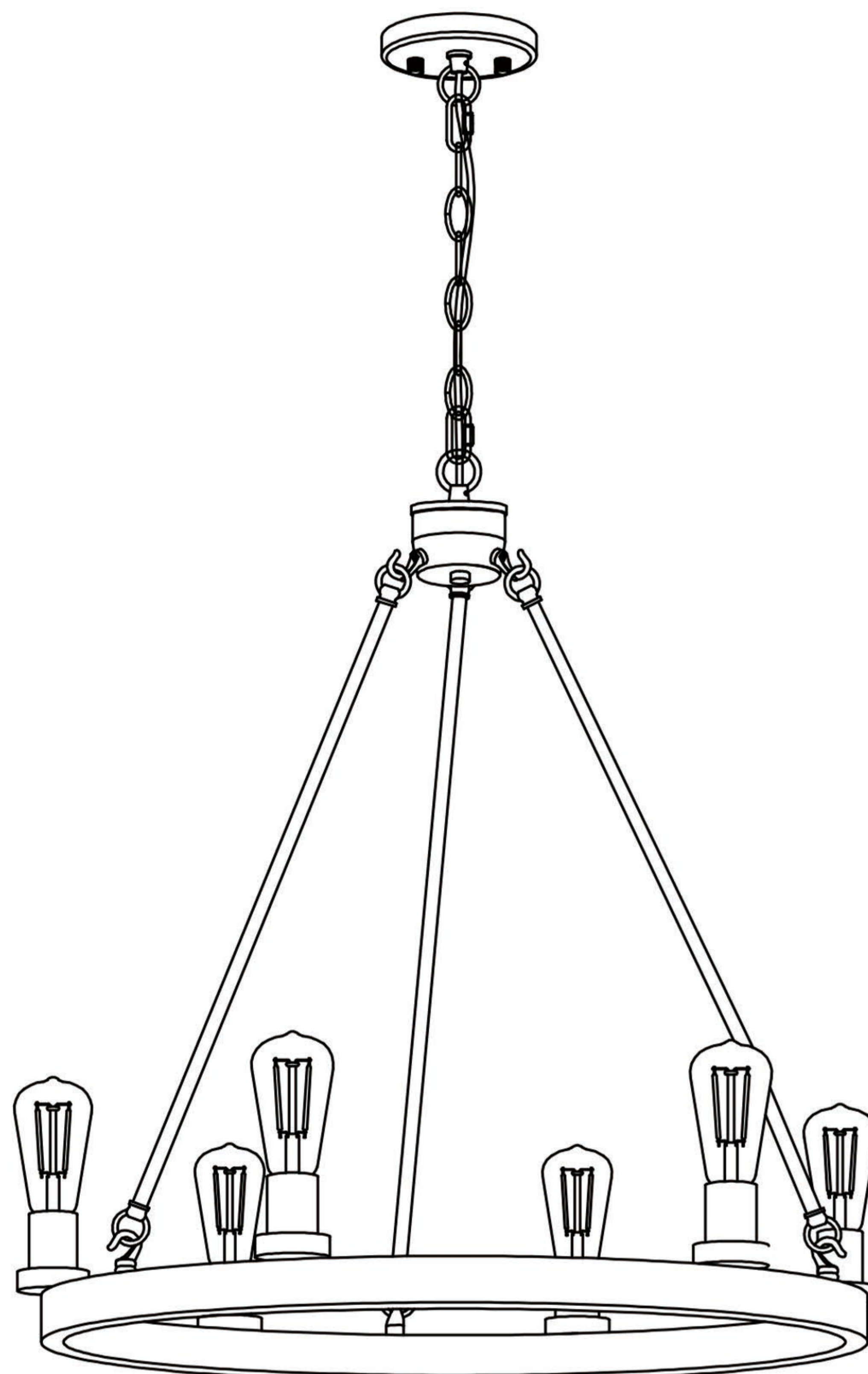
DESCRIPTION	PICTURE	CODE	QTY
Mounting Bar + Screw + Canopy Cap		8 / 11	1 SET
Gecko and wood screw		7 / 9	2 SET
Line bank		10	1 PCS
Canopy		6	1 SET
Black Cable tie			3 PCS
Chain +Flying rings + movable chain link		5	1 SET
Derrick Part		4	2 PCS
The lamp body		1 / 2 / 3	1 SET

WARNING - if any Special Control Devices are used with this Fixture, Follow the instructions Carefully to assure fun compliance With N.E.C. requirements. if there are any questions, contact a Qualified Electrical Contractor.
CAUTION - All glass is fragile, use care when handling Glass component(s) and or Lamp(s).

CANOPY MOUNTING & WIRE CONNECTION ASSEMBLY STEPS:



FIXTURE ASSEMBLY STEPS:



220-240V / 50Hz
E27 6*MAX 60W TYPE S
(Do not contain light bulb)

1. AC220~240V,50Hz.The Max lamps power is 60W TYPE S Bulb.
2. Avoid to scratch the surface of lighting and the wires when install it.
3. Connect the live wire with the Brown wire (L), Connect the netural wire to the Blue wire(N), Yellow-green wire grounding wire (⊕) (L-L,N-N, ⊕-⊕)
4. Don't install it to the ceiling before it's completely dry, thesurrounding around must be ventilated and dry.
5. Keep away from the acid, basicity objects and gases, clean withsoft cloth, water washing is not allowed.
6. Be careful when you install glass lamp shade
7. The lighting must be installed by professional electrician and used indoor only.
8. Please keep attention to cut off the power supply when installing, cleaning, and replacing bulb.