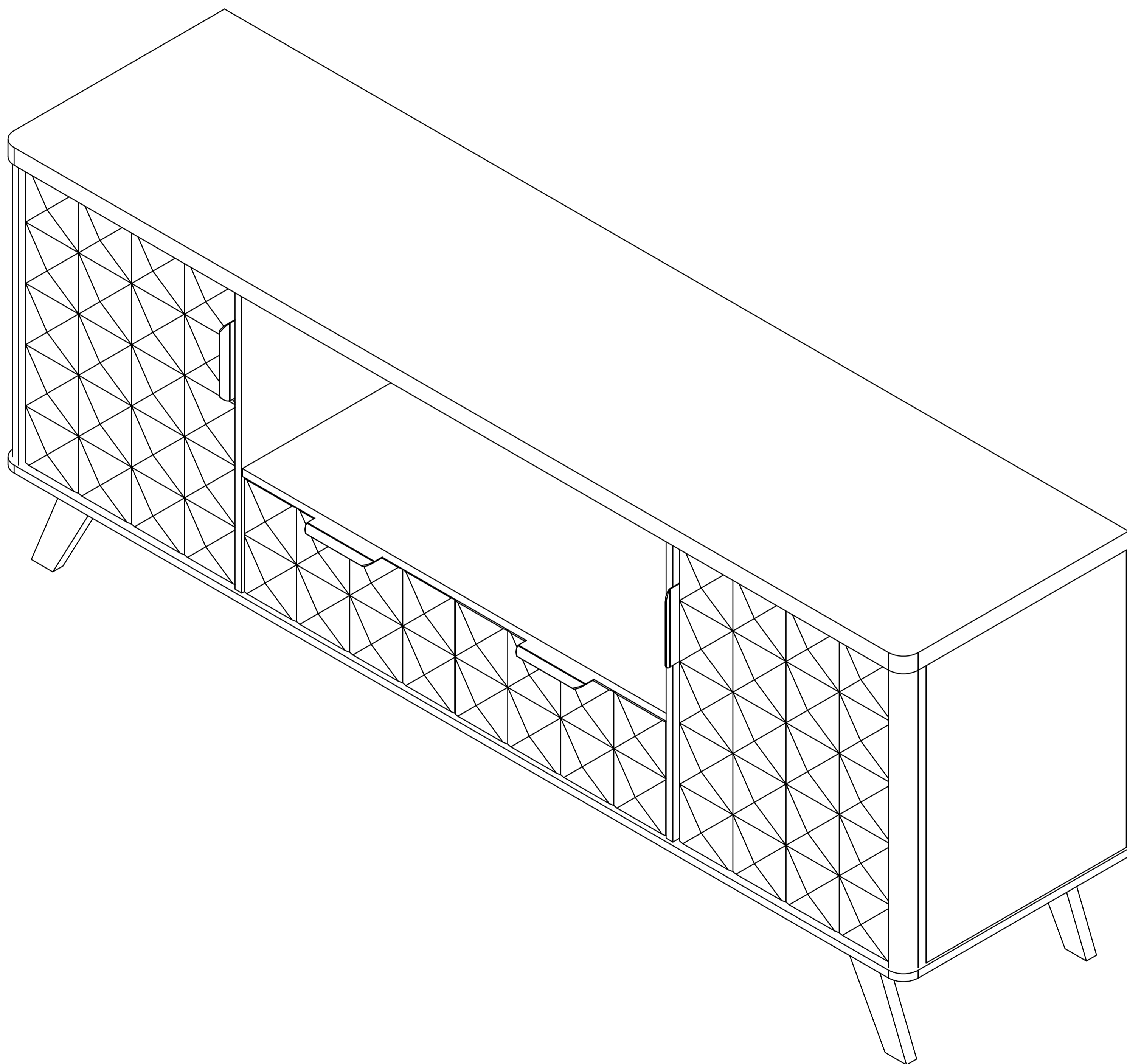
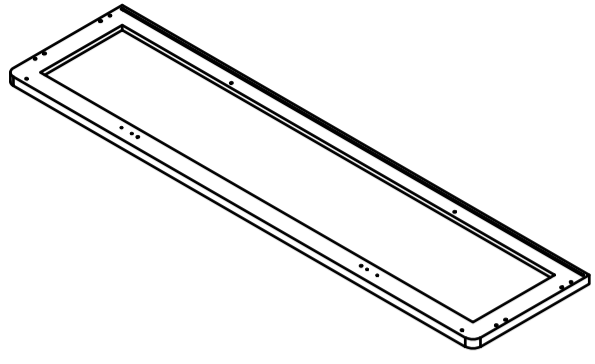


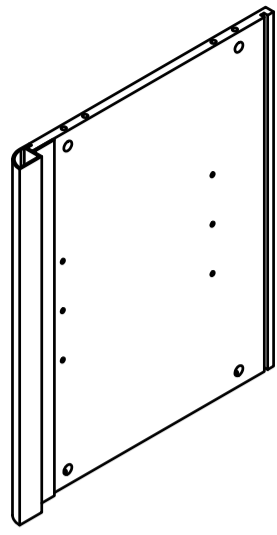
Product Installation Instructions

说明书版本

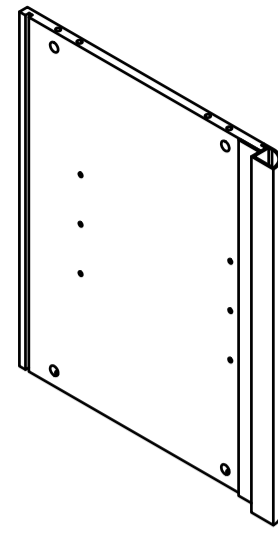




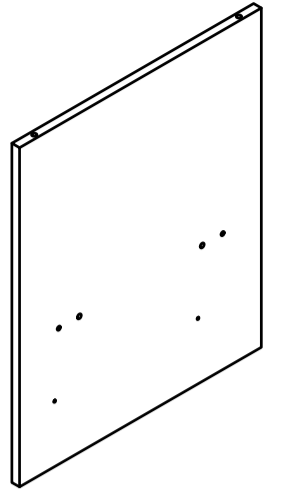
1x1



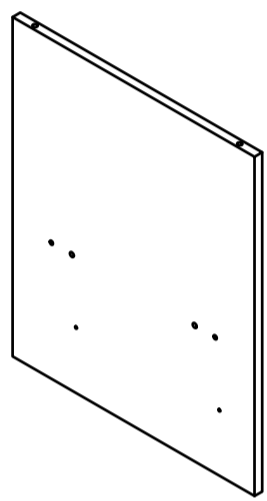
2x1



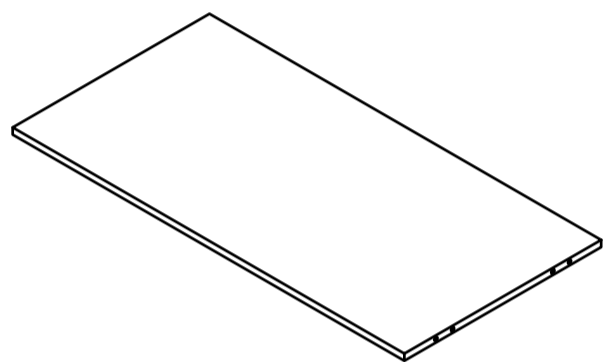
3x1



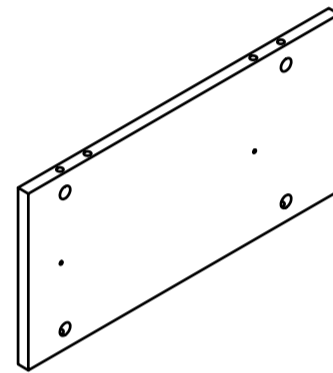
4x1



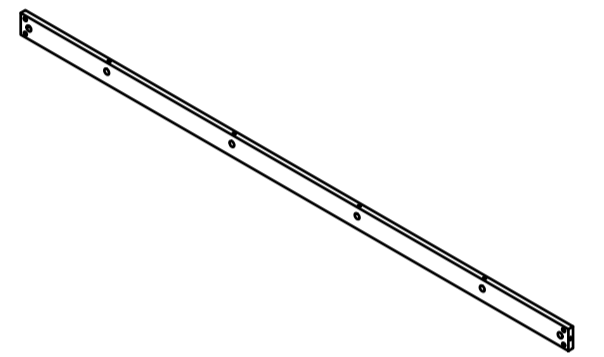
5x1



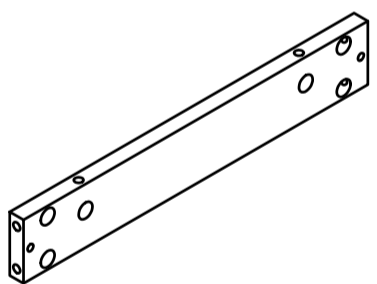
6x1



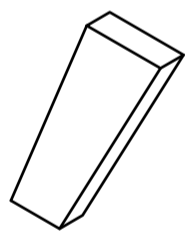
7x1



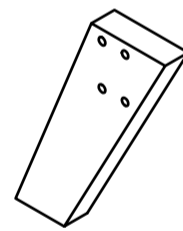
8x2



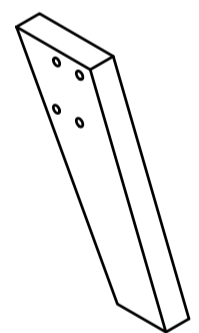
9x2



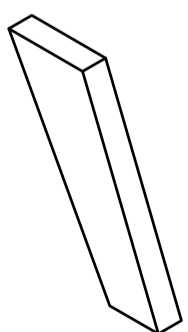
10x1



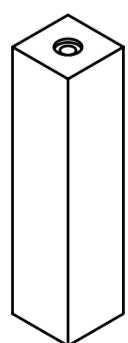
11x1



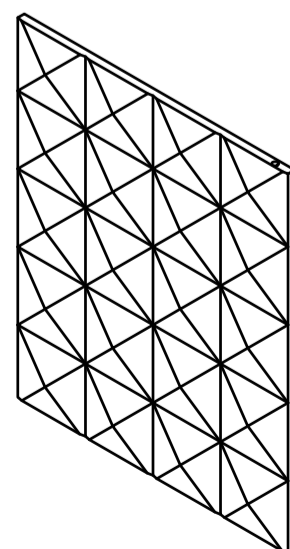
12x1



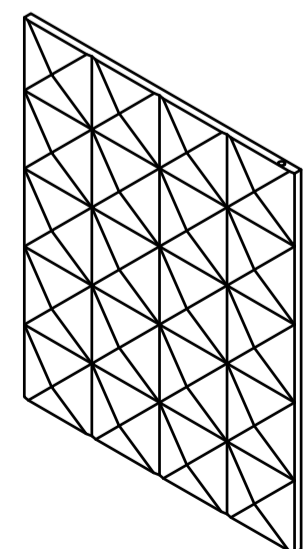
13x1



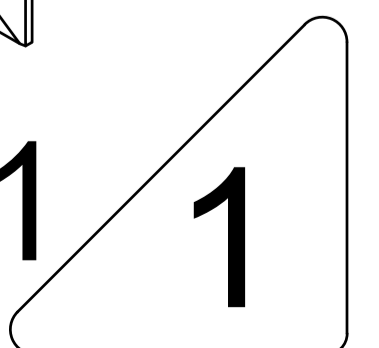
14x1



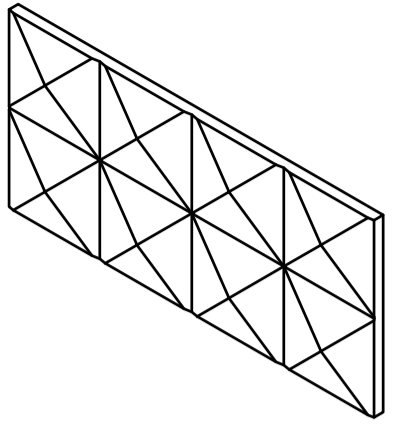
15x1



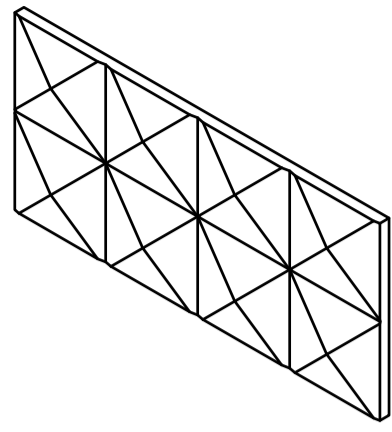
16x1



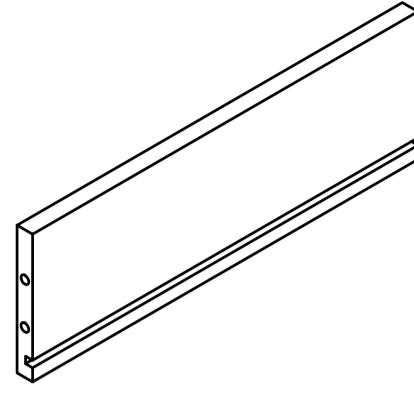
1



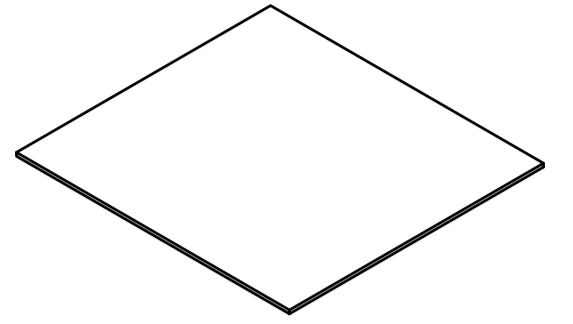
17x1



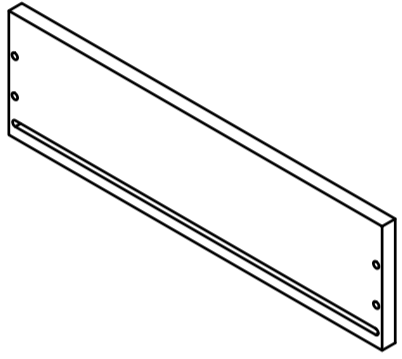
18x1



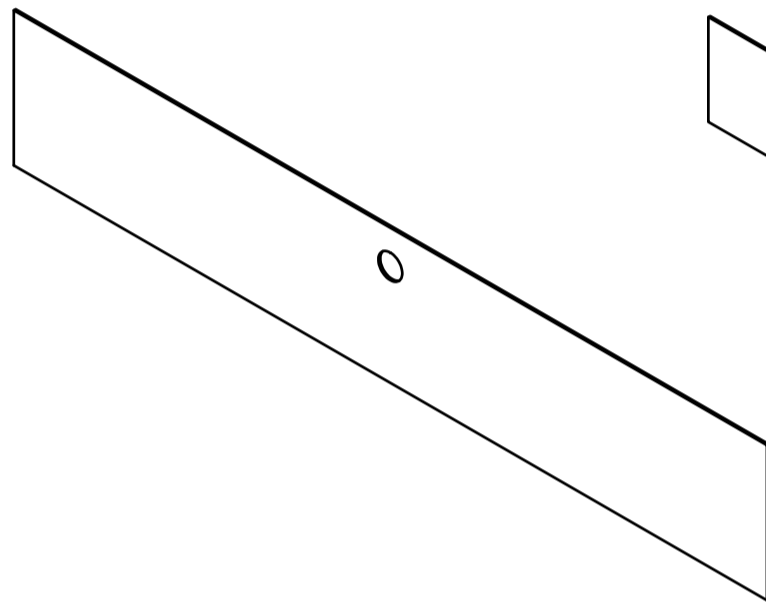
19x4



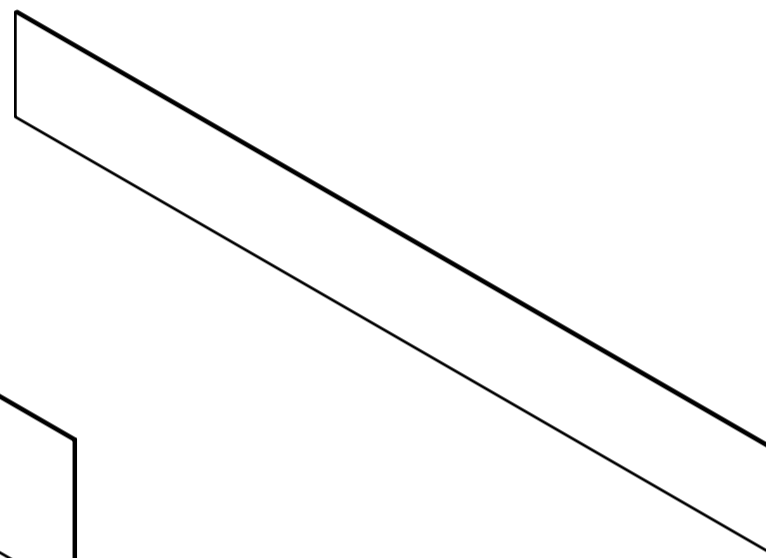
20x2



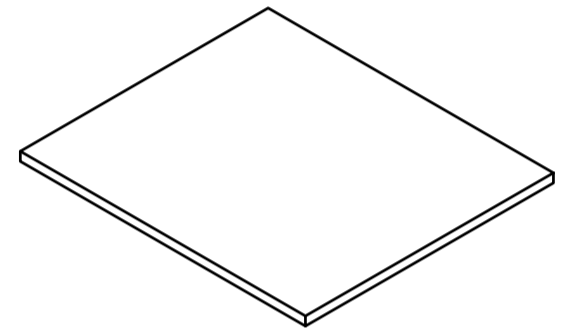
21x2



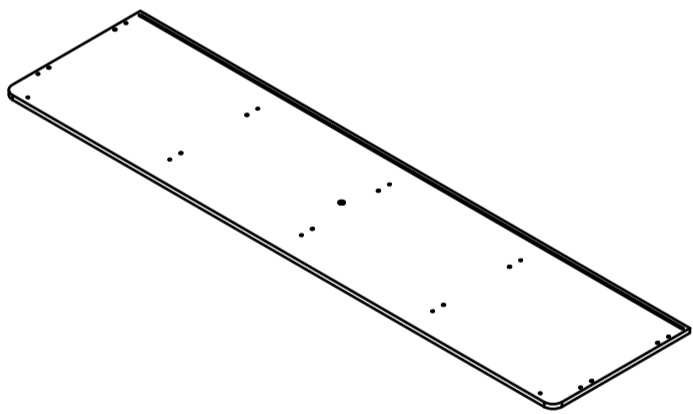
22x1



23x1

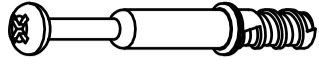

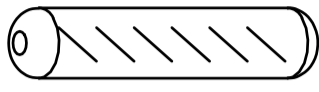
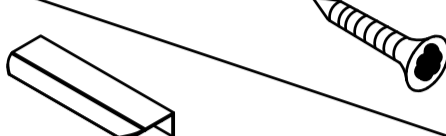
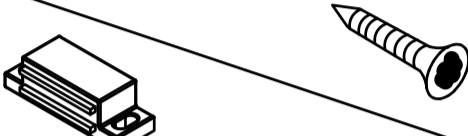
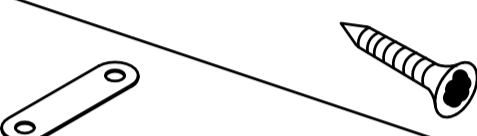
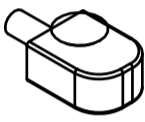

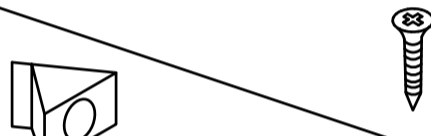
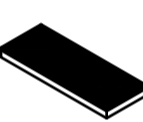








24x2



25x1

Accessories list

A		Two In One Screw (6x28mm)	64pcs +3pcs
B		Two In One Nut (10x12mm)	64pcs +3pcs
C		Wood Chipping (6x30mm)	20pcs +2pcs
D		Handle & screw (3x12mm)	4pcs / 8pcs
E		Door Magnet & Screw(3X16mm)	2pcs / 4pcs
F		Iron Sheet & Screw(3x12mm)	2pcs / 4pcs
G		Laminate support nail	8pcs
H		Screw & Guide (12 inch) (3x12mm)	4pcs / 24pcs
J		Back plate buckle & Screw 3x16mm	16pcs / 16pcs
M		Foot rubber pad(35x15x2mm)	4pcs
N		Door shaft	4pcs
O		Screw (7x28mm)	8pcs
P		Screw (6x30mm)	1pcs
Q		length=783	2pcs
R		Needle	1pcs
S		Foot rubber pad(36x36x2mm)	1pcs

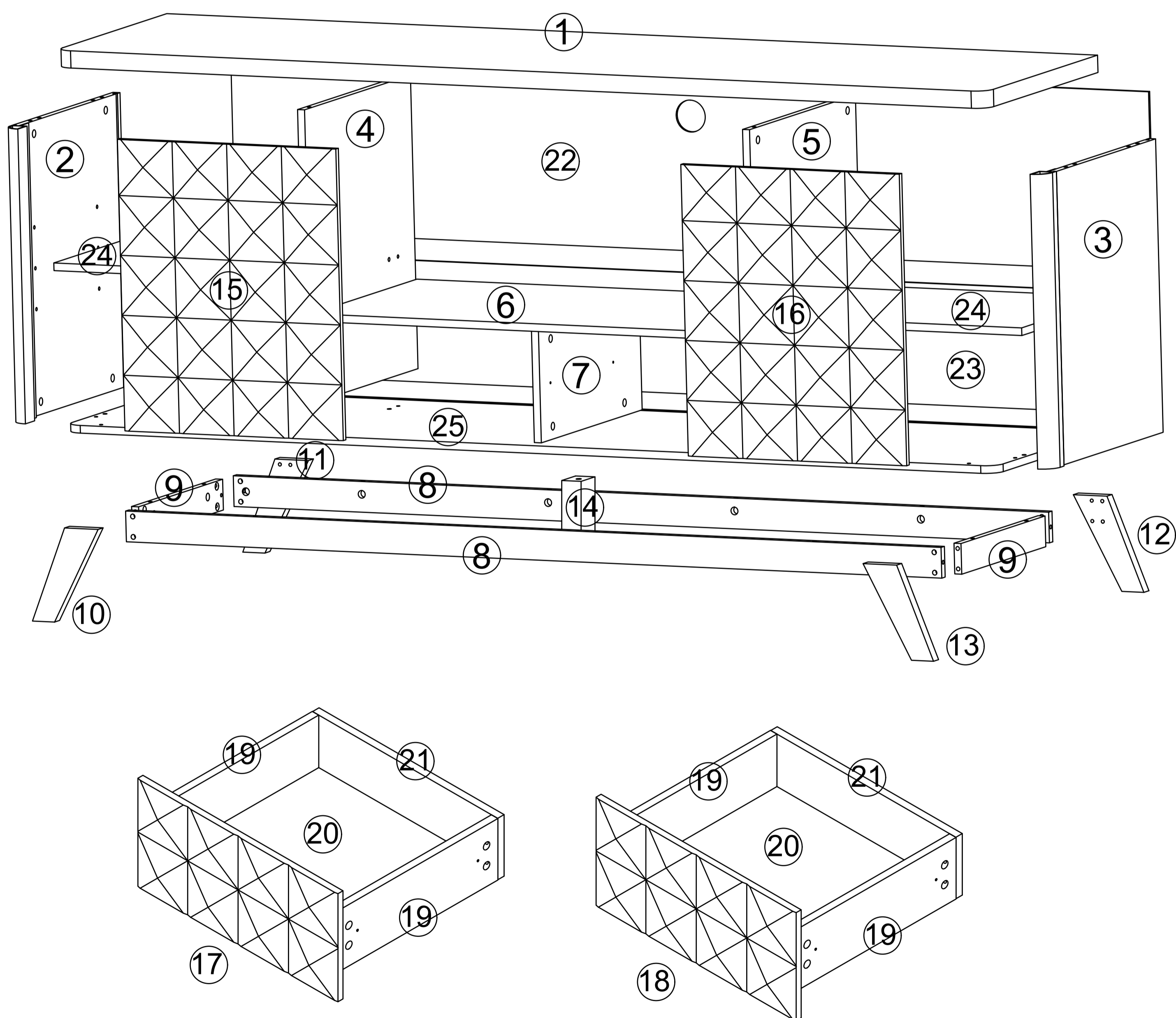
T



1pcs

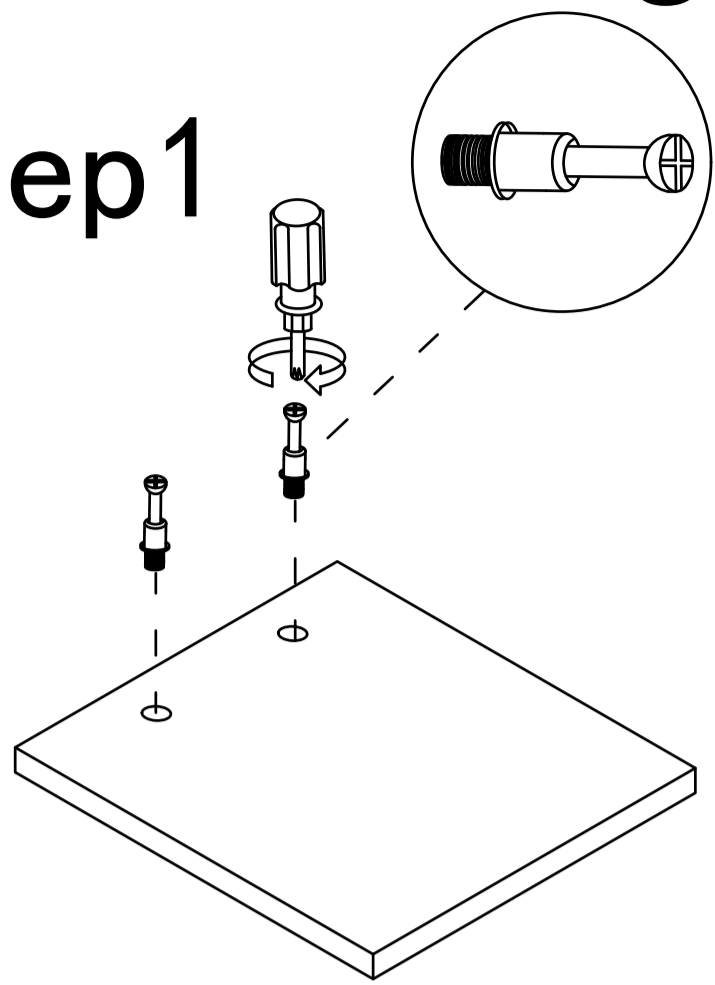
Double-head screwdriver, use as required

Product structure decomposition

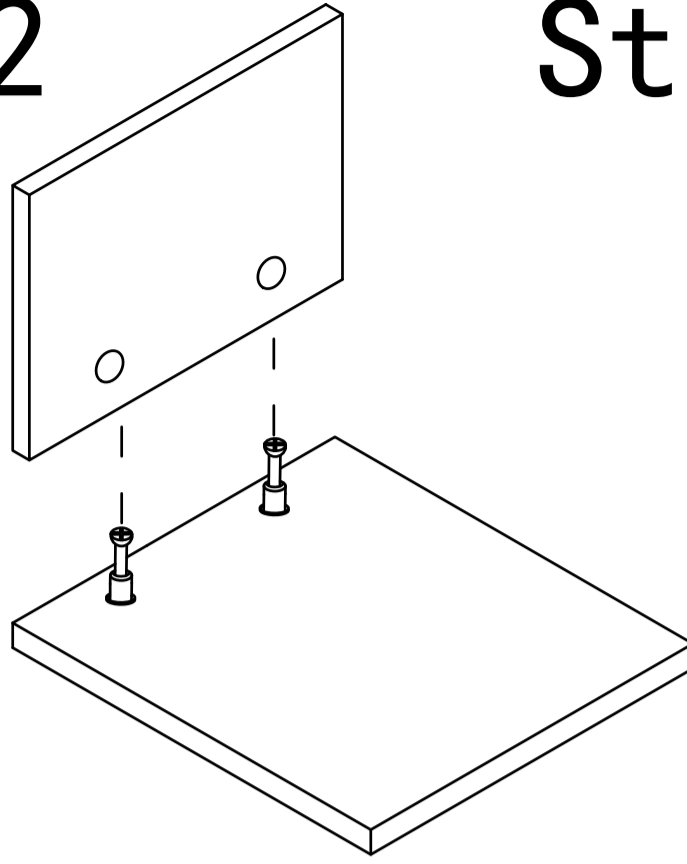


Use parts ① and ②

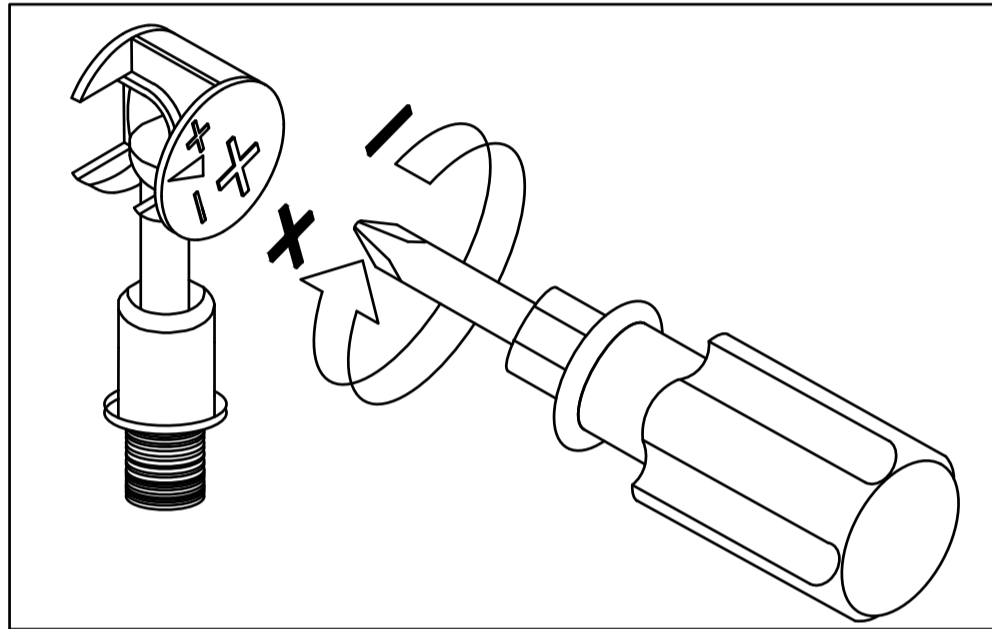
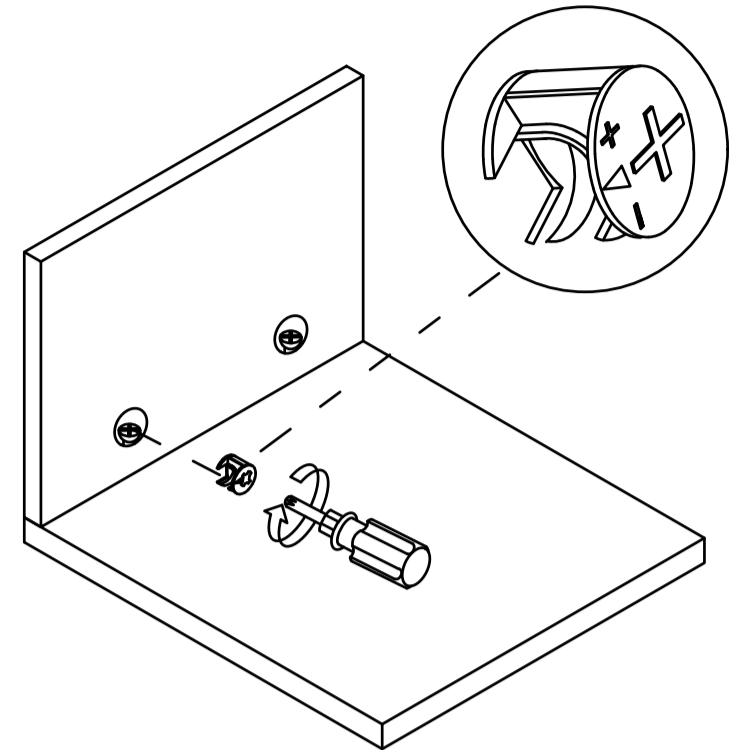
Step 1



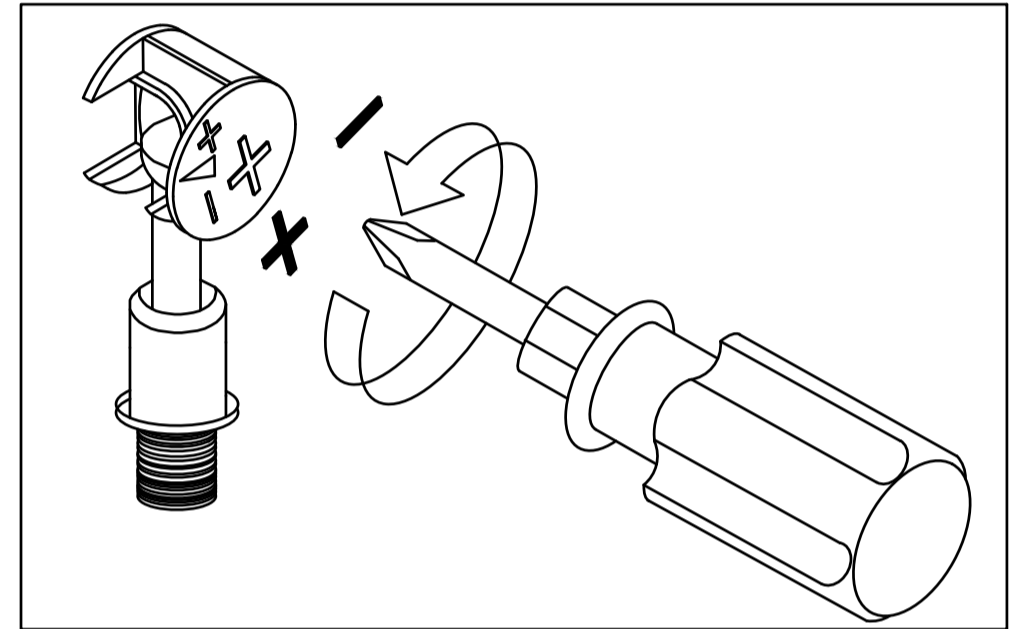
Step 2



Step 3

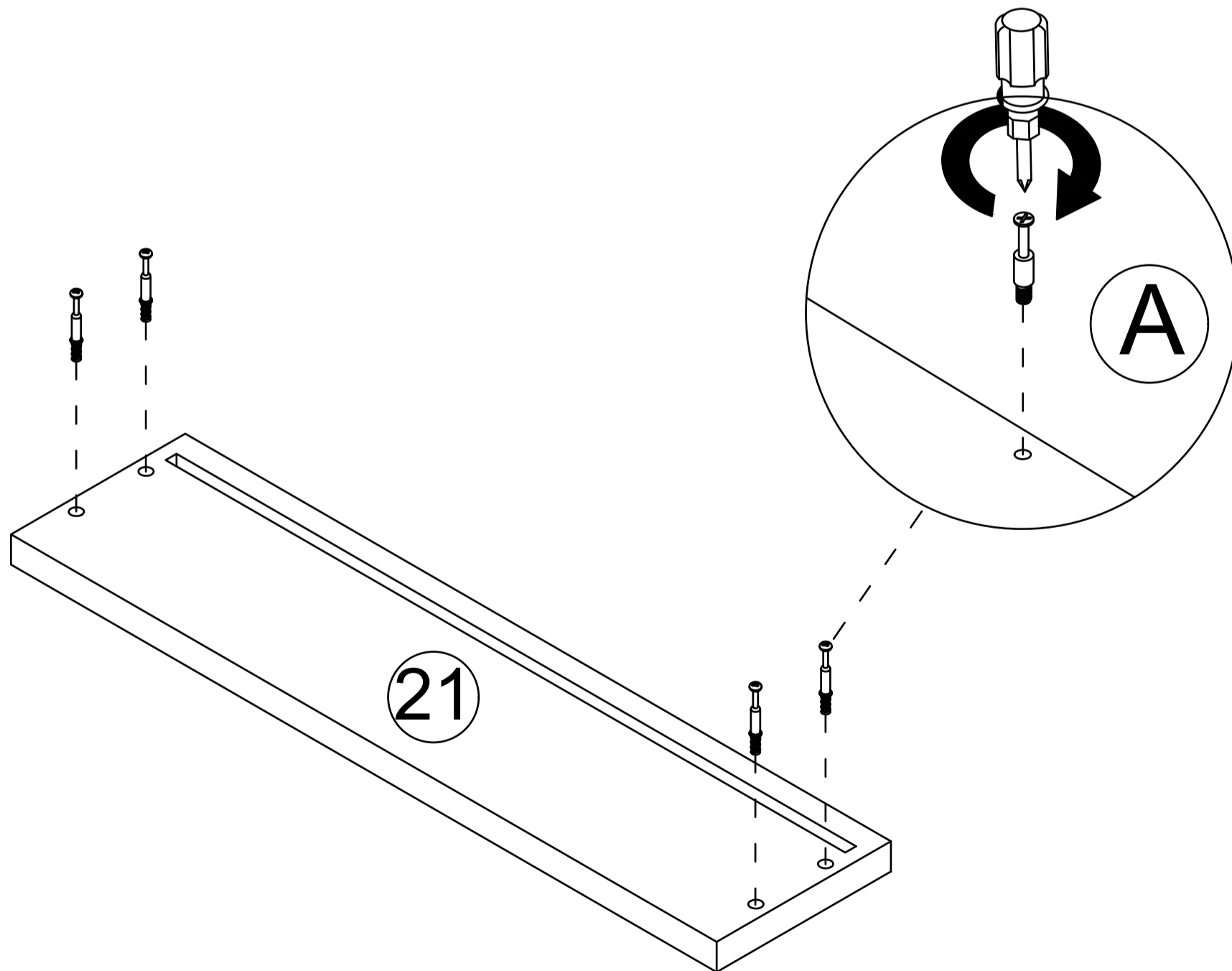
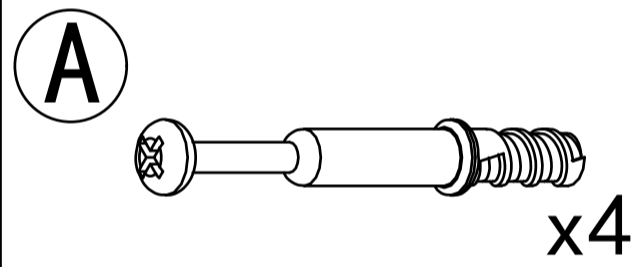


Use a screwdriver to lock in the direction of the "+" sign




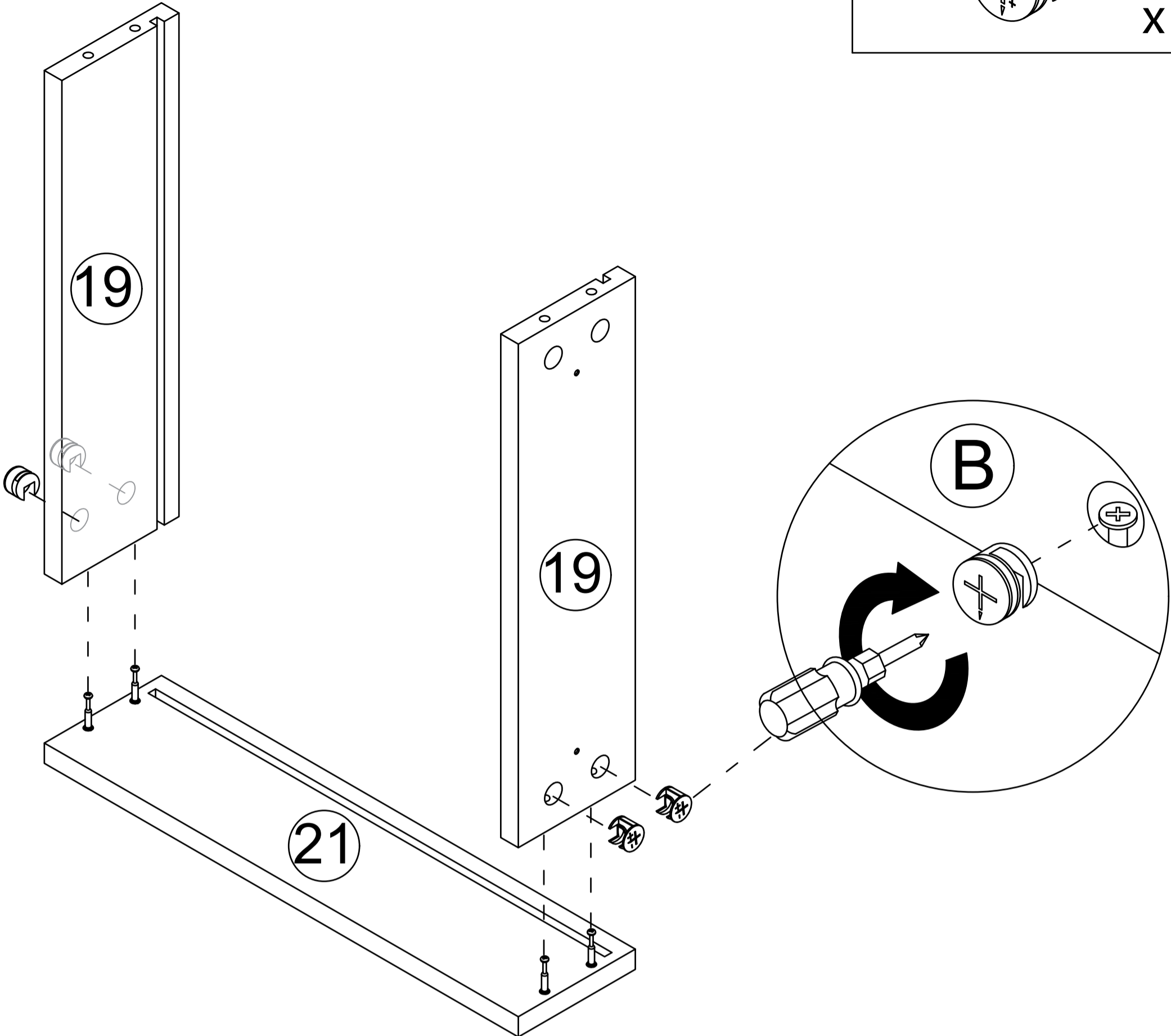
Disassemble along the direction of "-" sign

Step 1

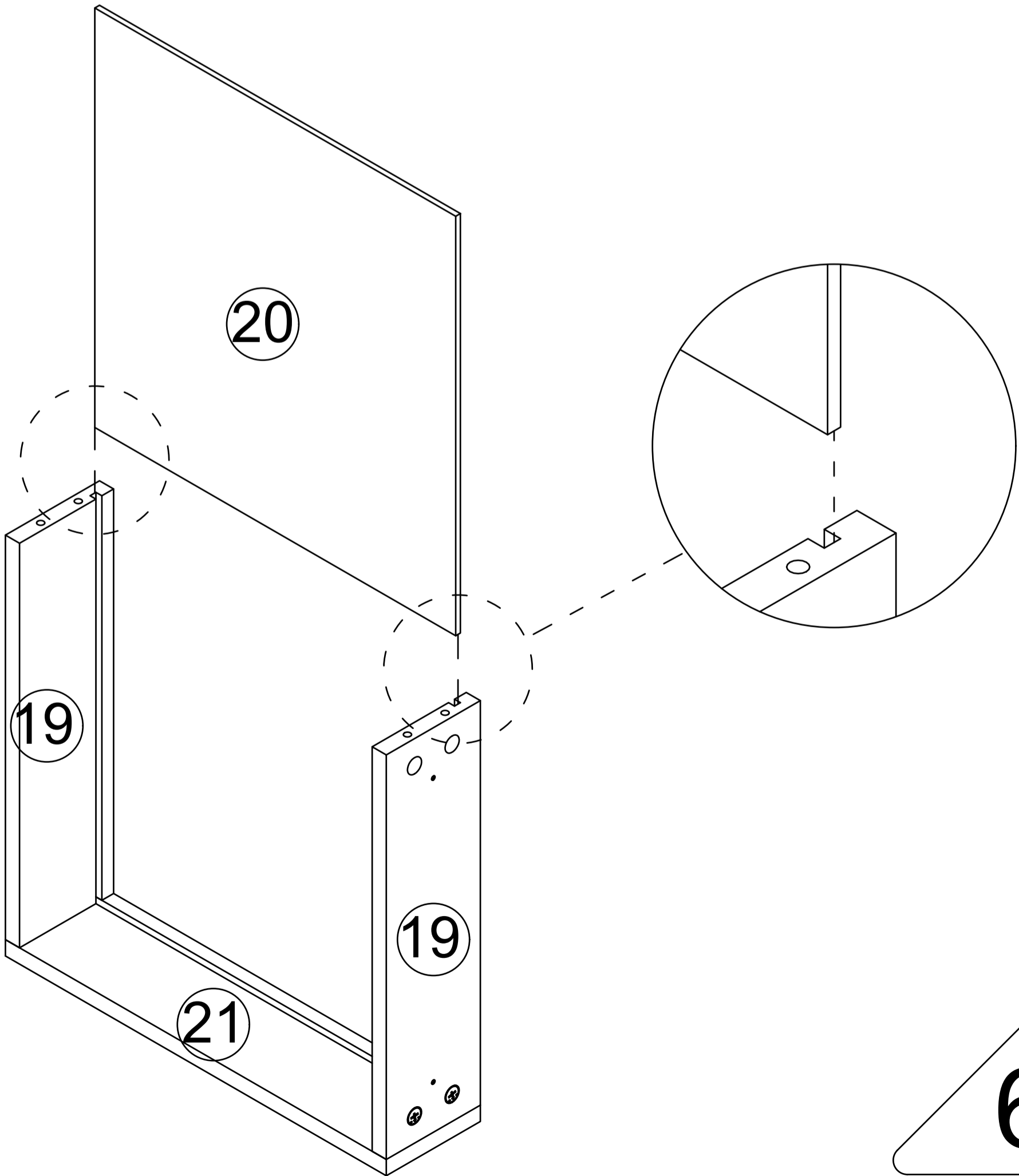


Step 2

B  x 4

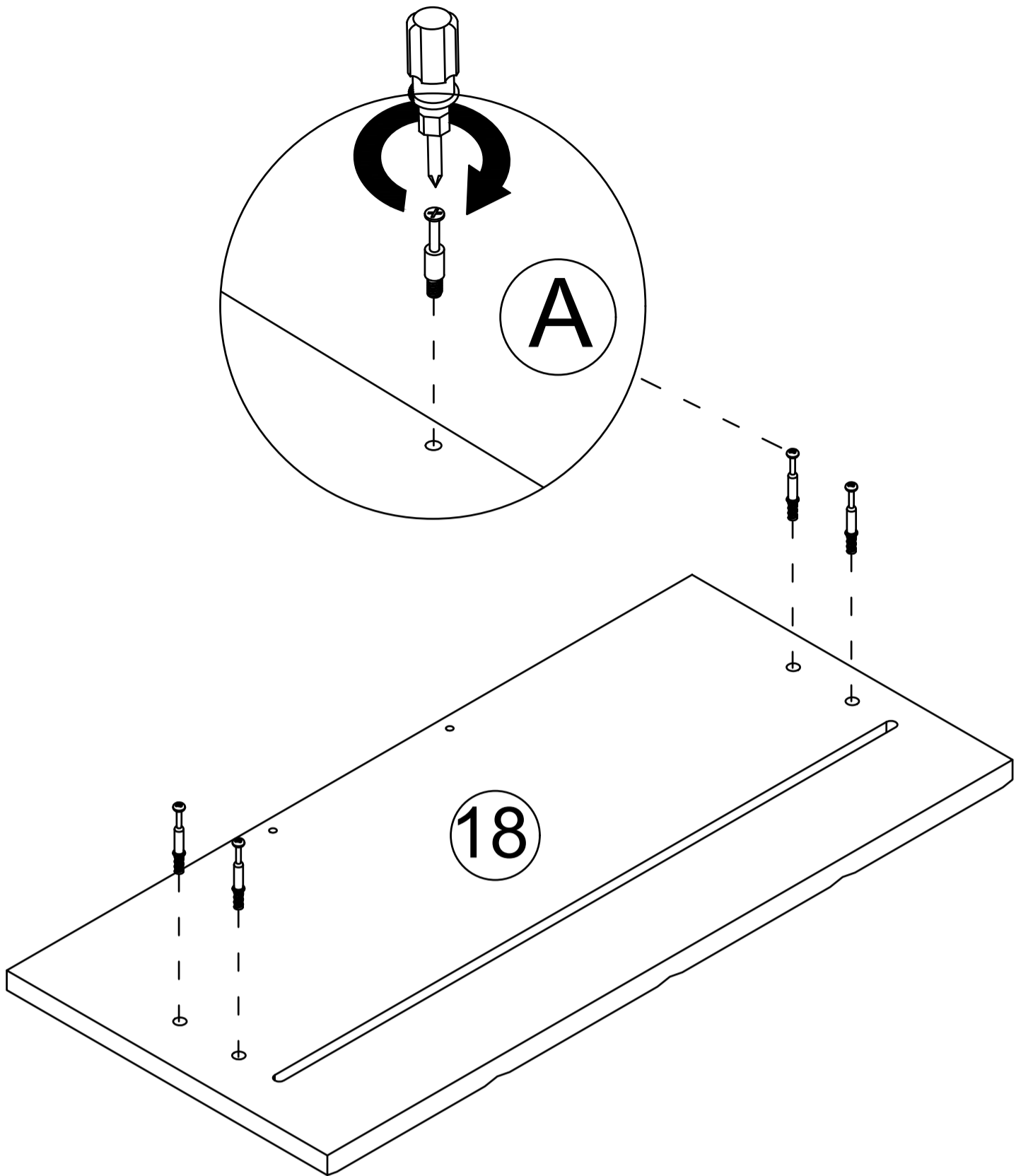
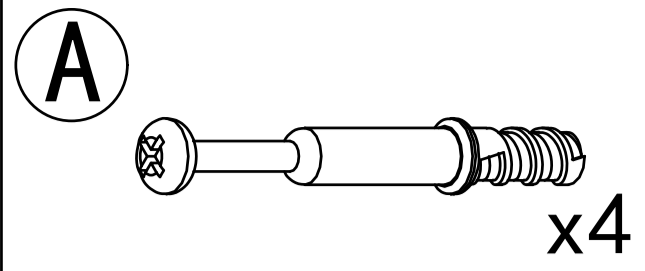


Step 3

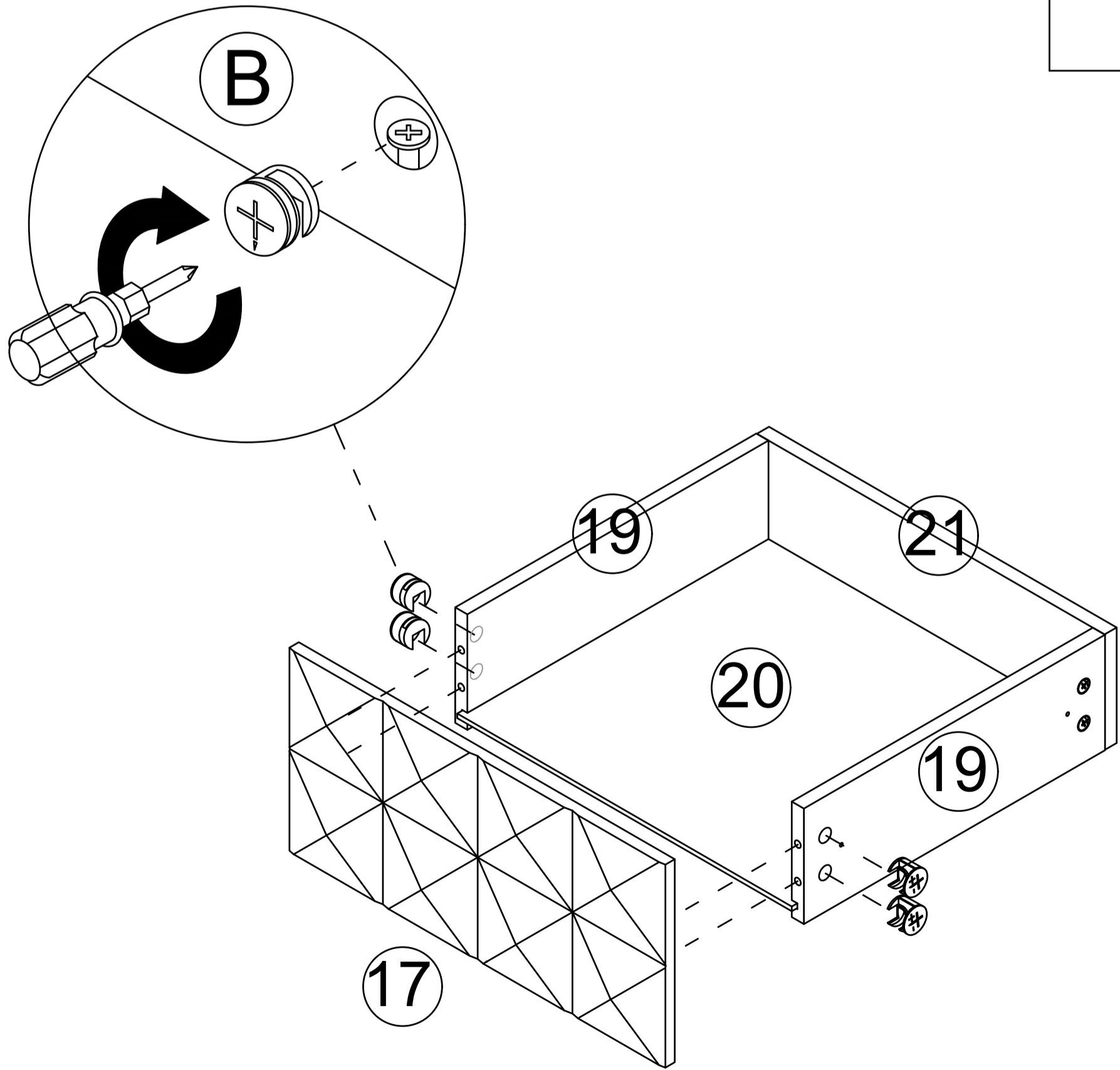
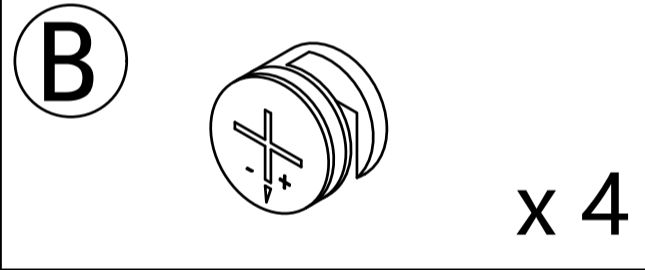


6

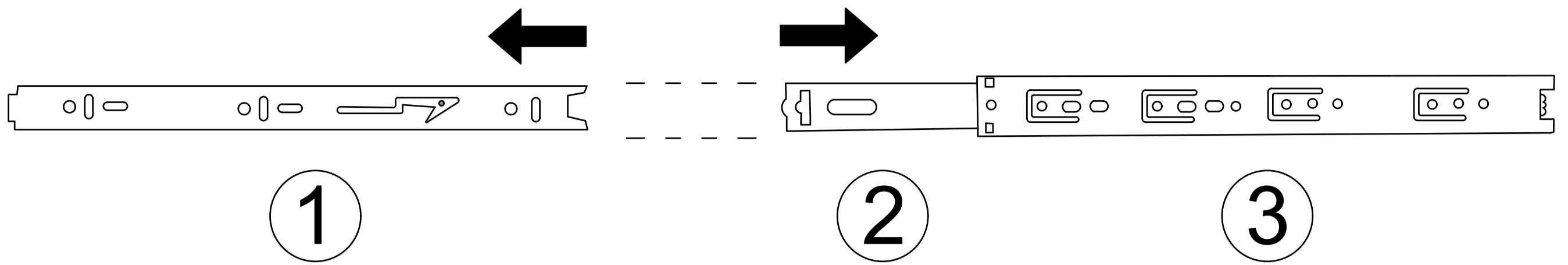
Step 4



Step 5

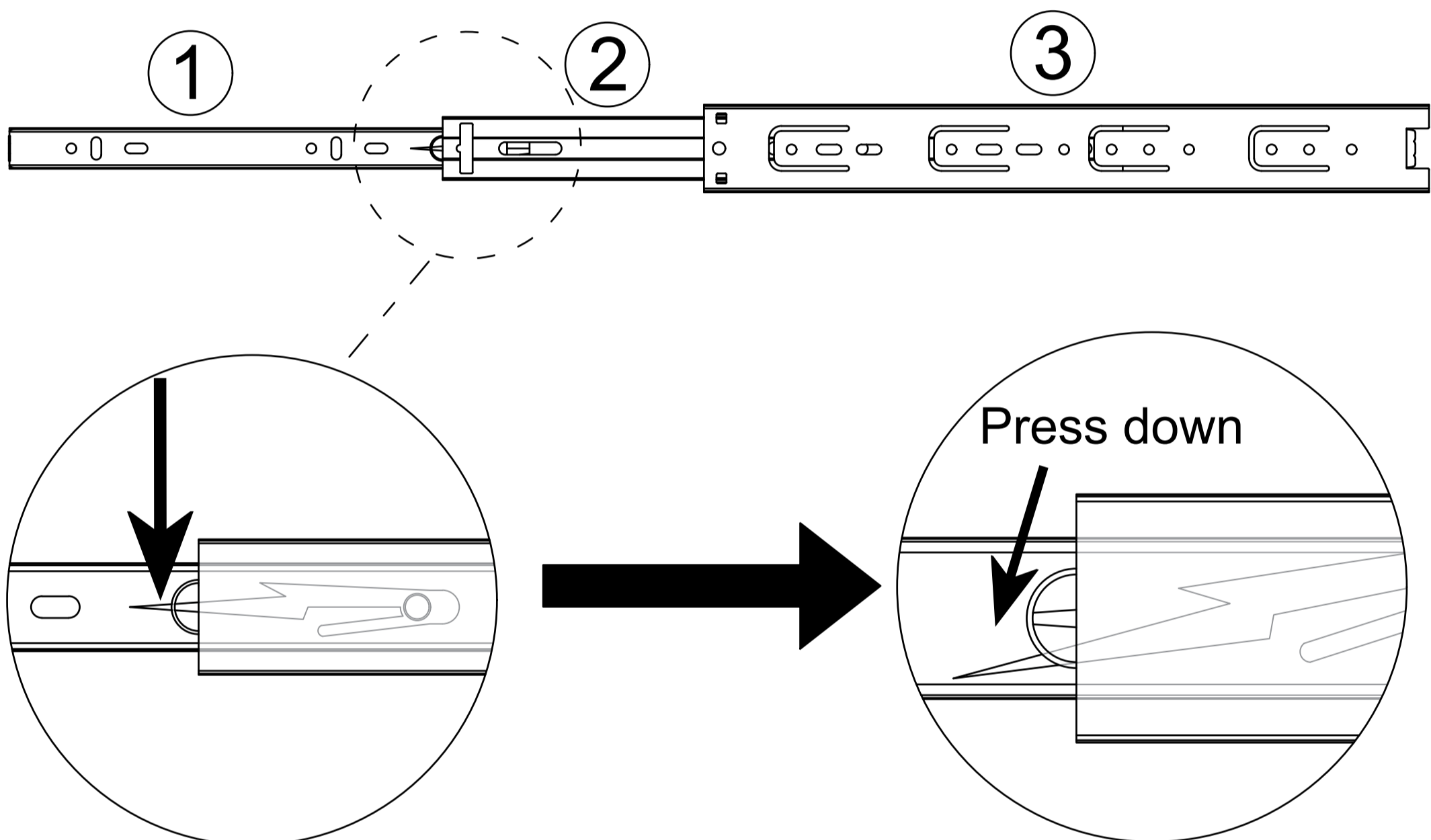


Drawer rail breakdown diagram



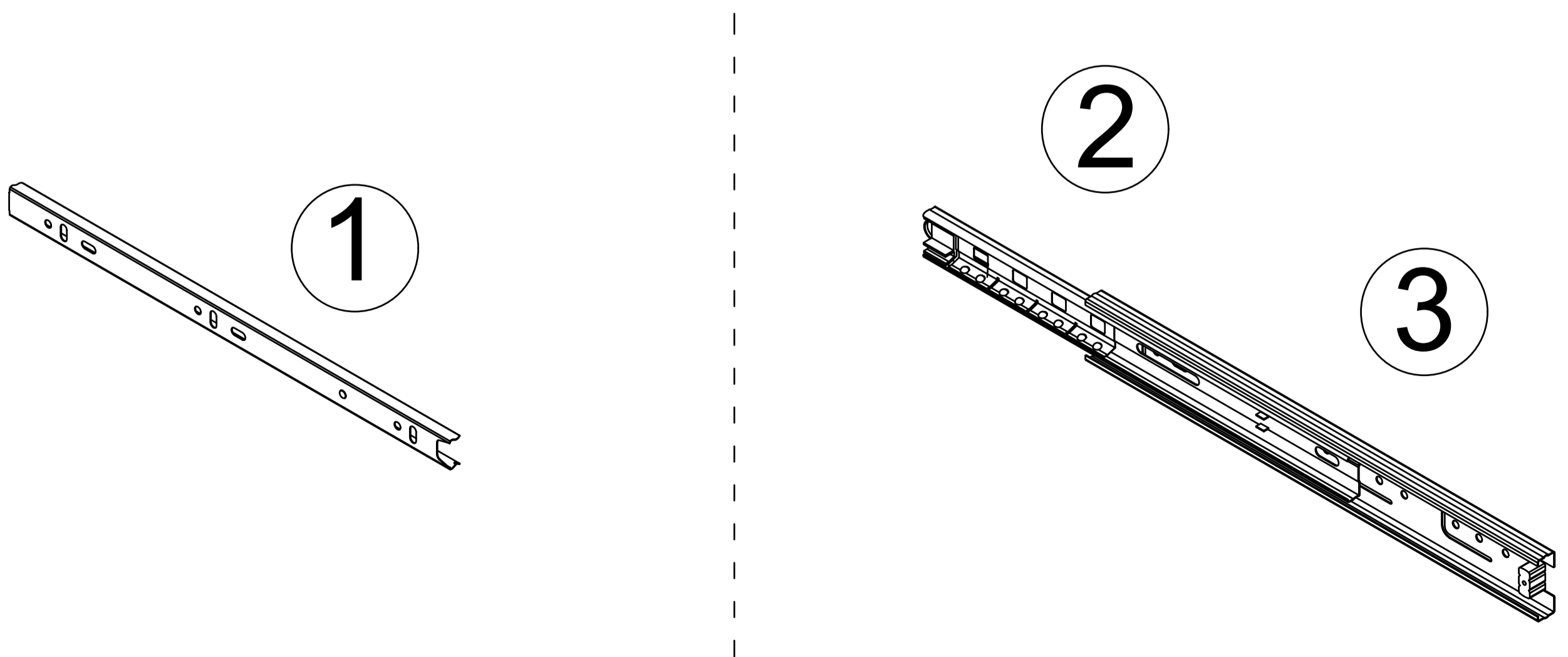
① Dismantle the schematic diagram

Step 1 : Pull the rails apart

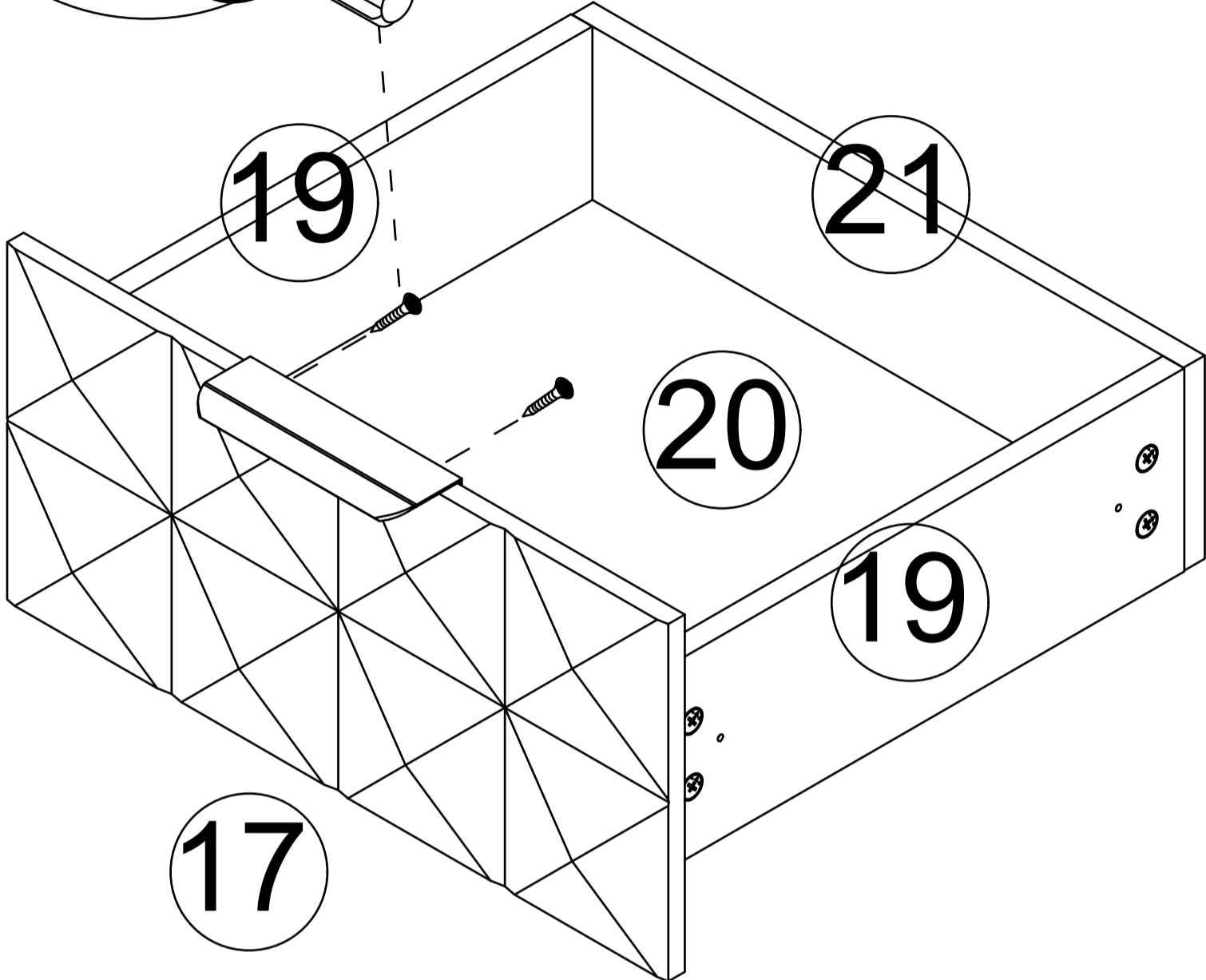
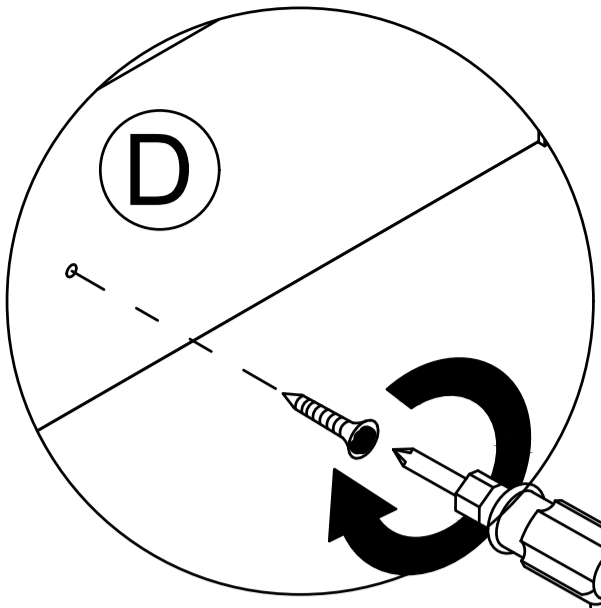
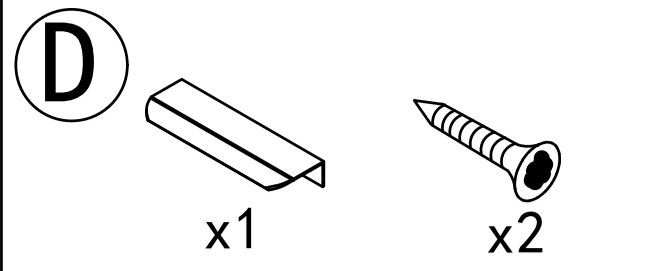


Step 2 : Press the nylon button and pull out ①.

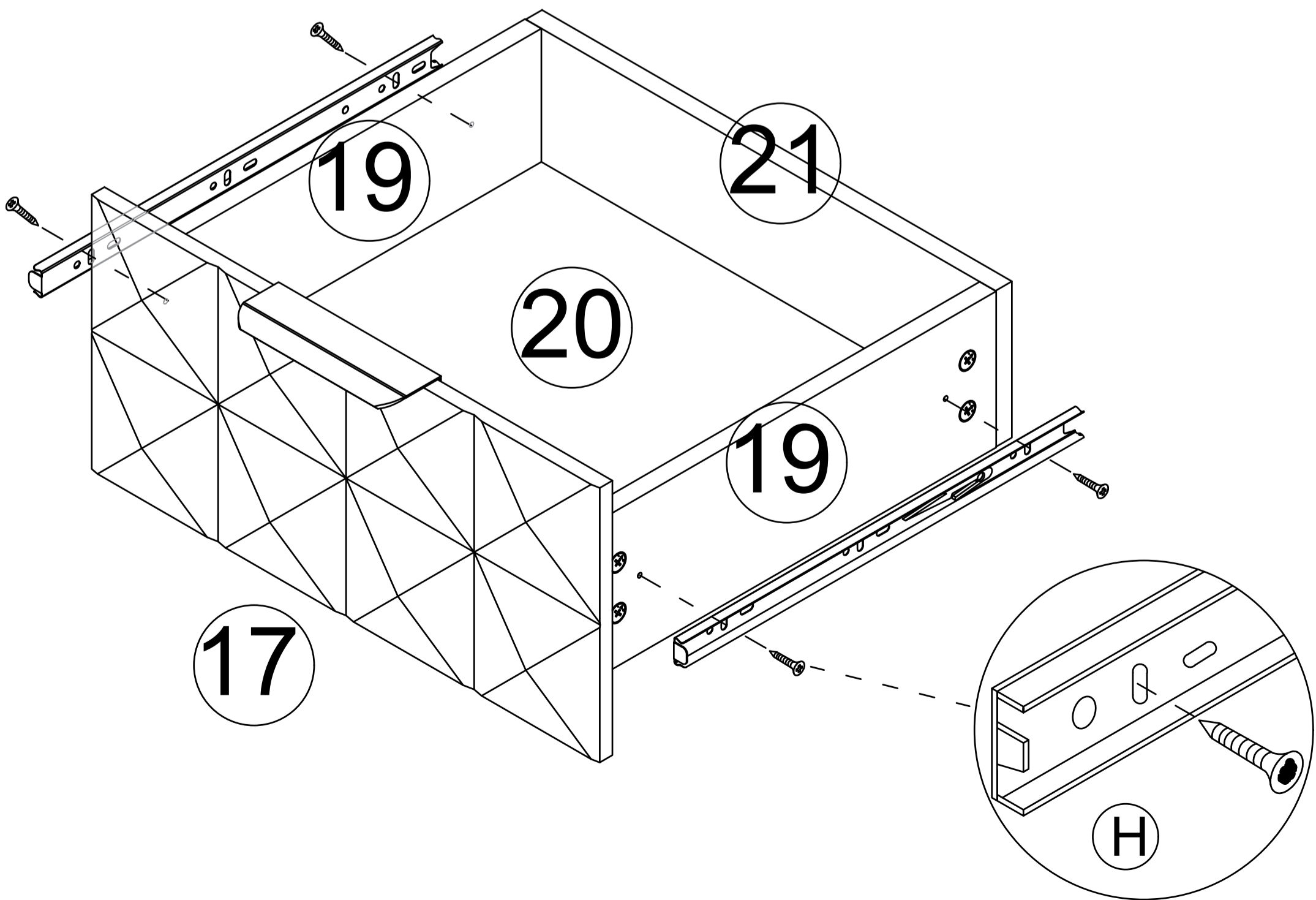
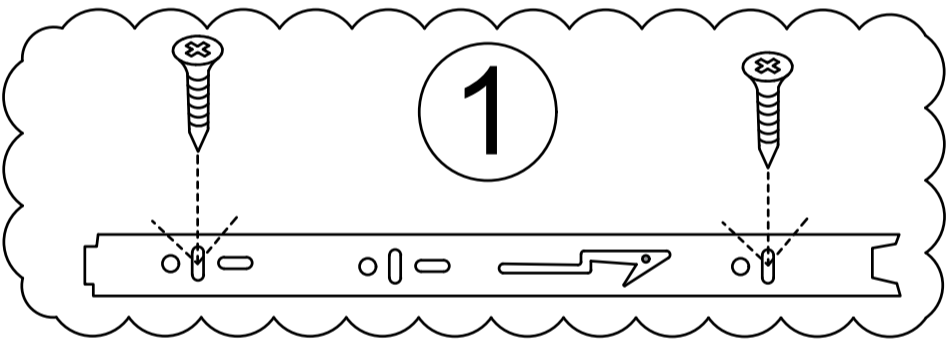
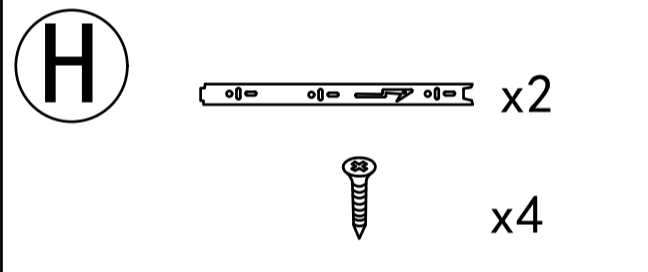
Drawer rail decomposition completed schematic diagram



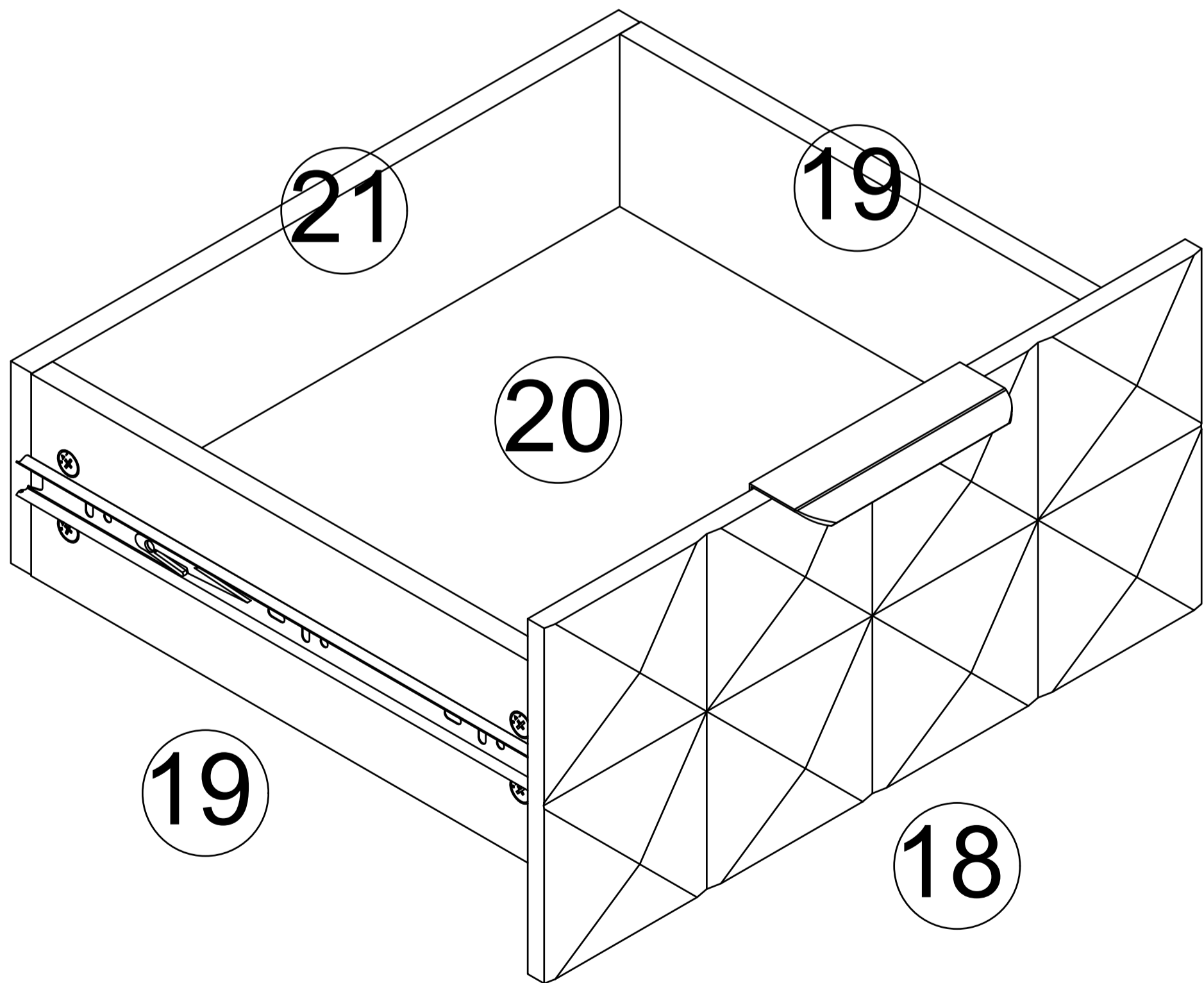
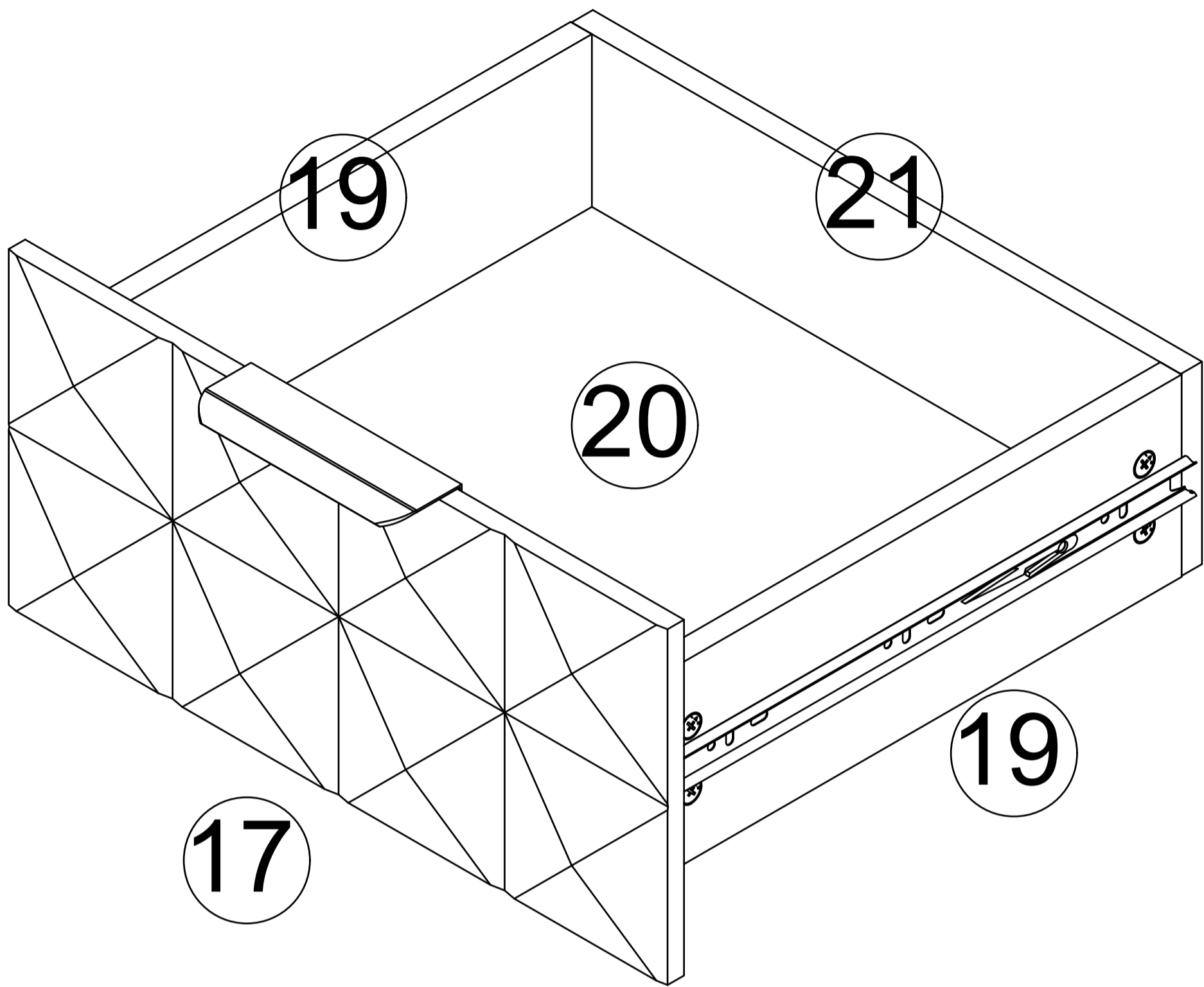
Step 6



Step 7

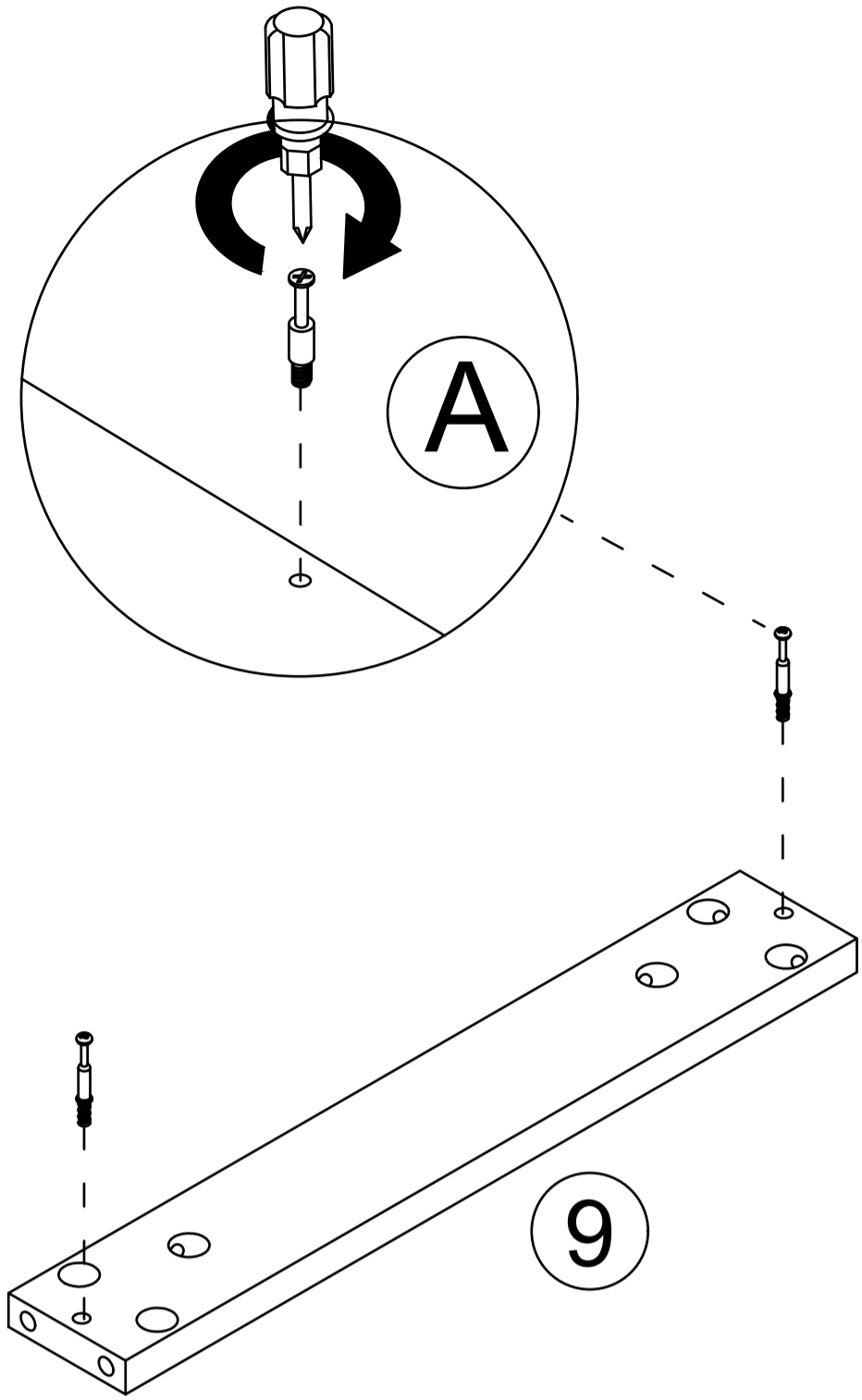
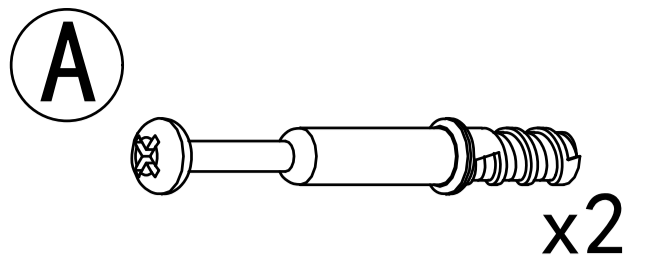


Step 8



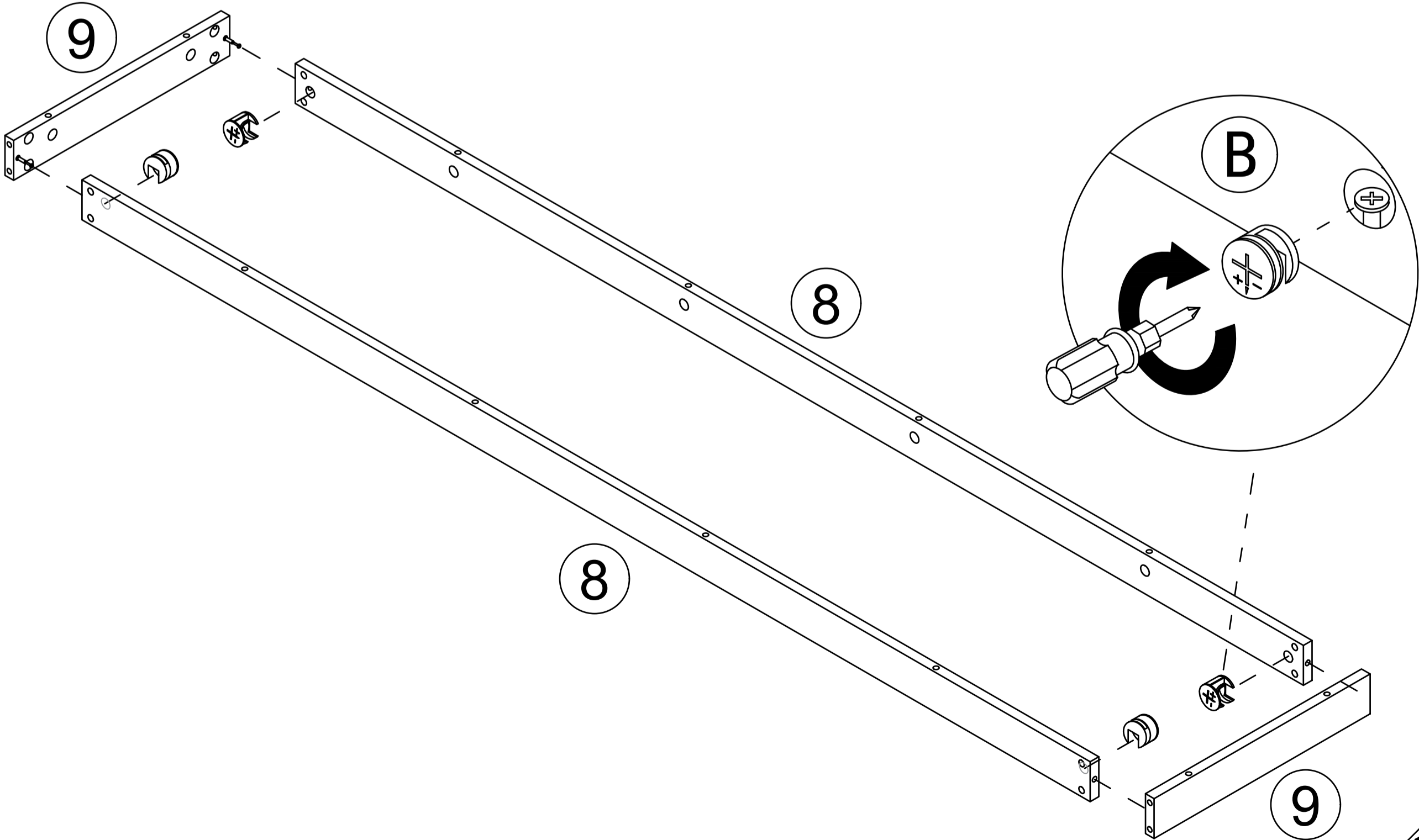
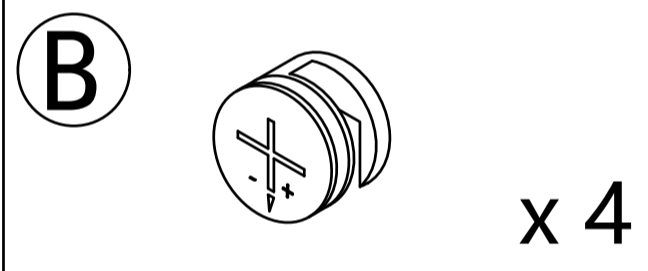
Repeat the drawer installation steps

Step 9



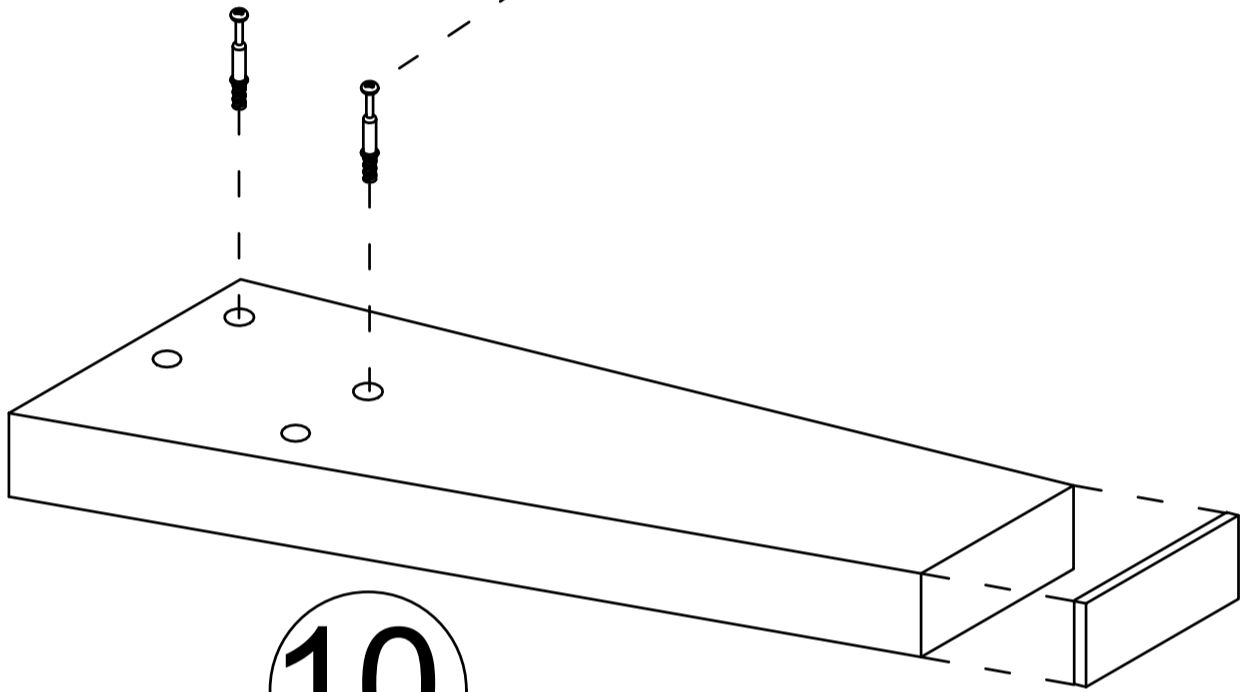
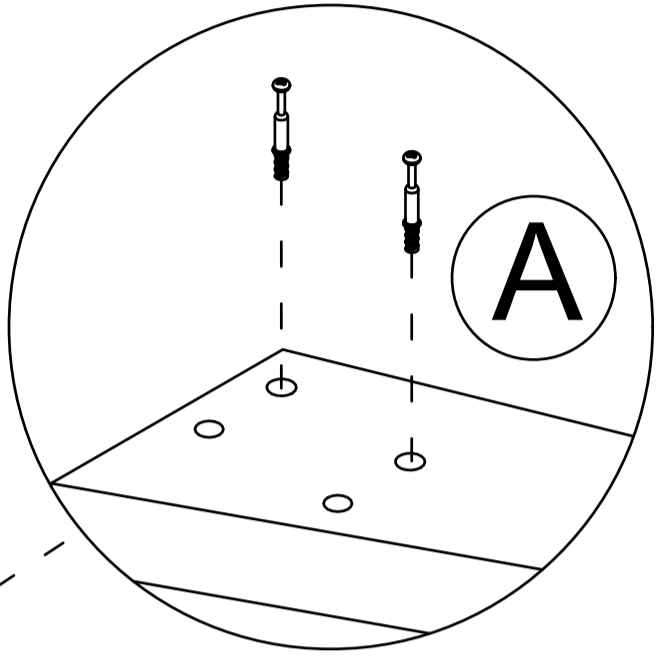
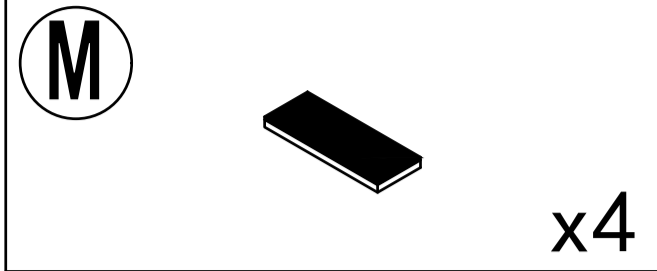
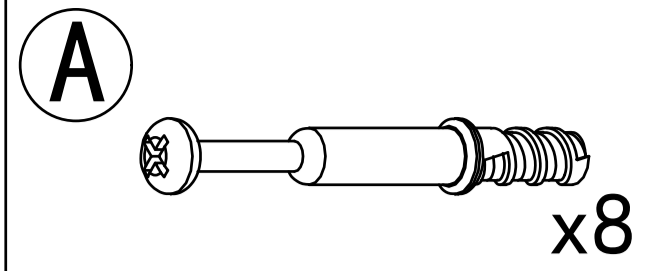
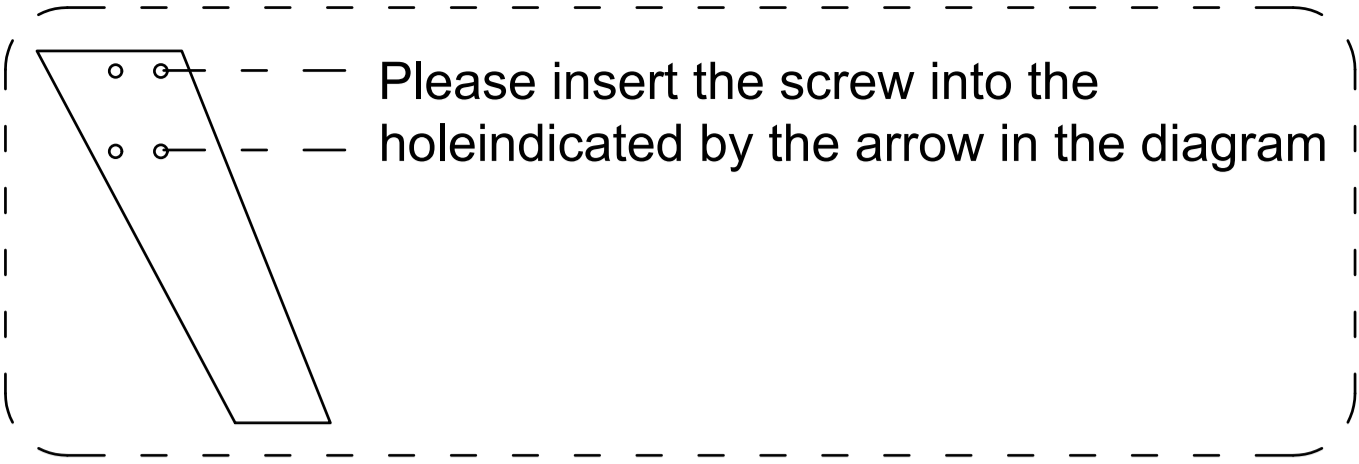
This step is repeated twice

Step 10

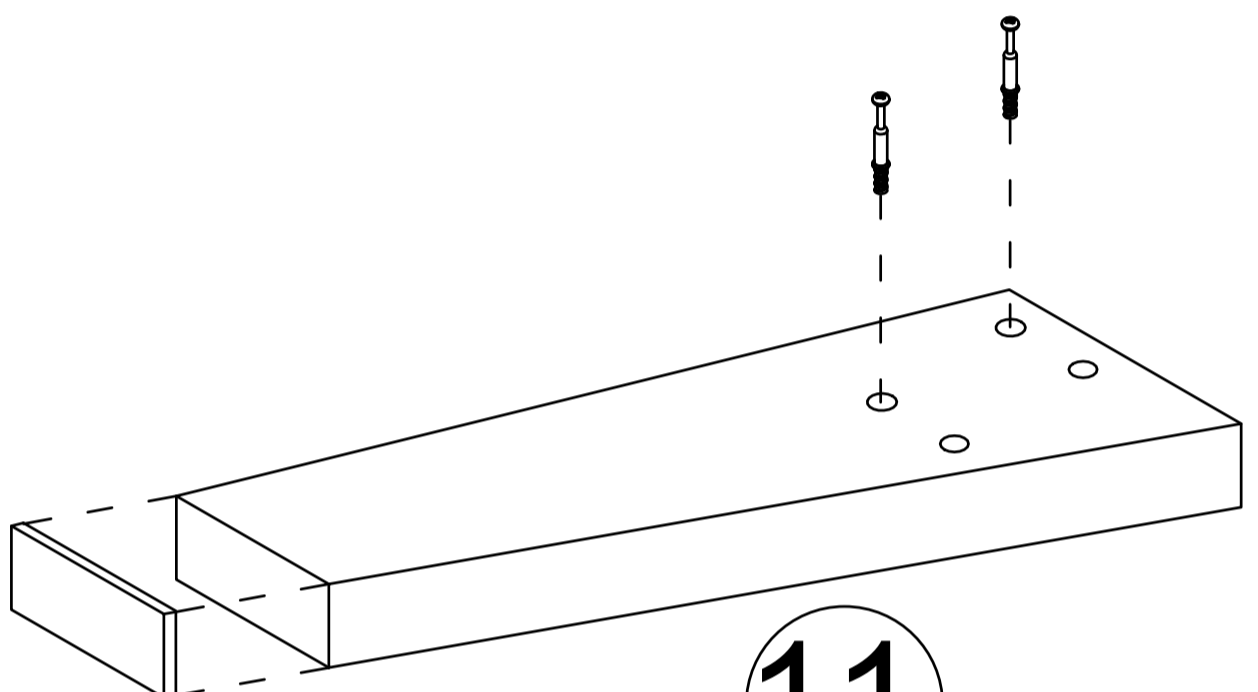


10

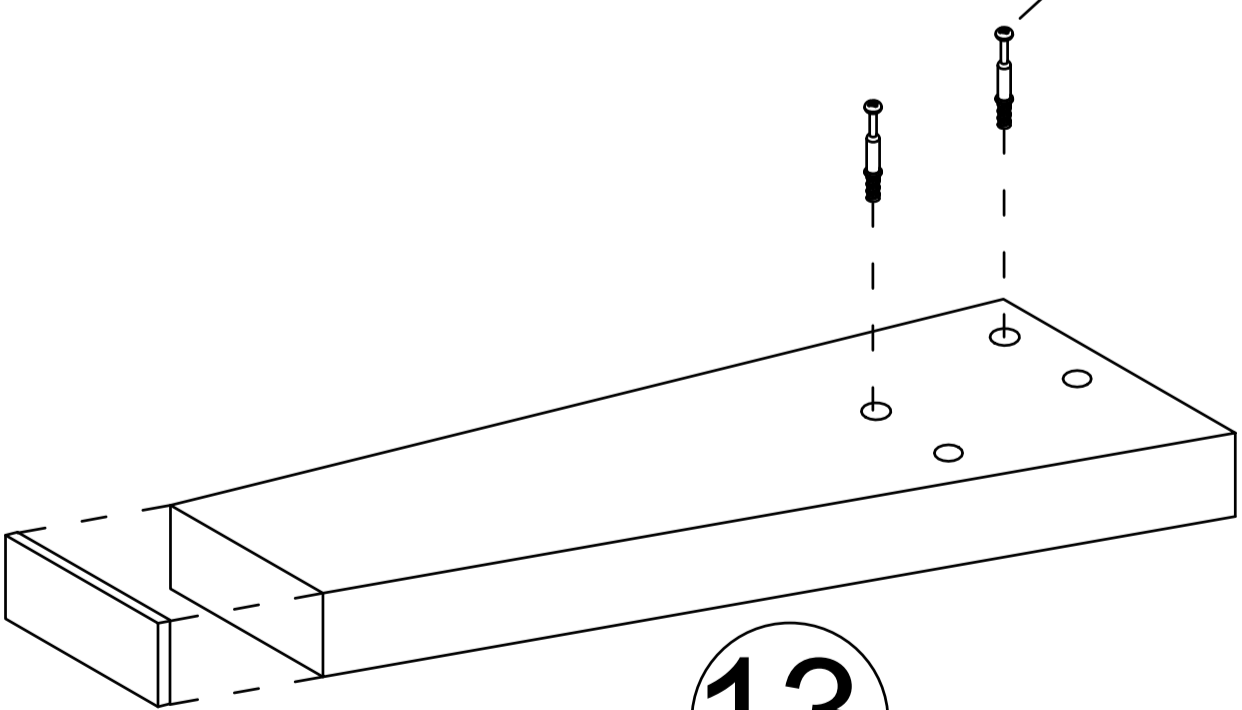
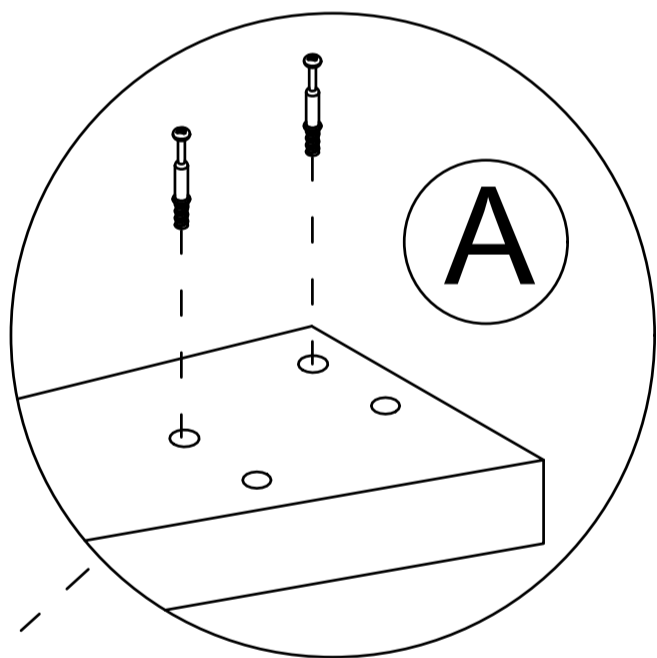
Step 11



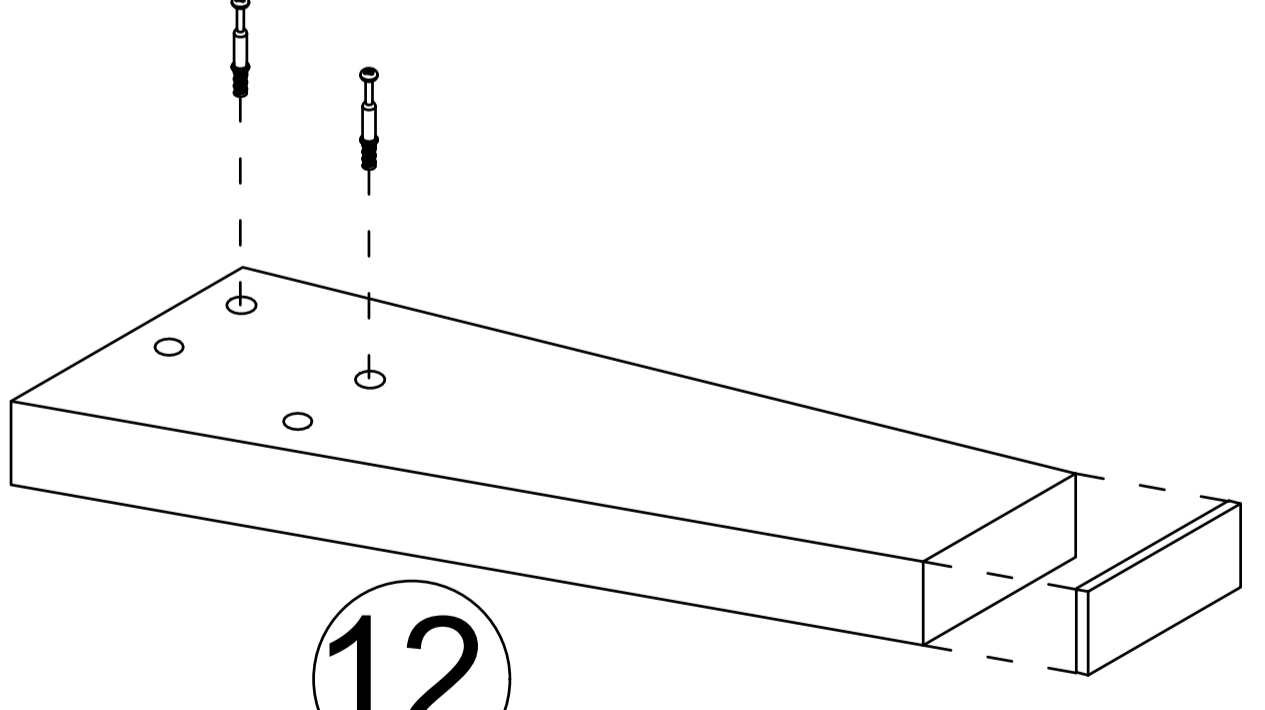
10



11



13



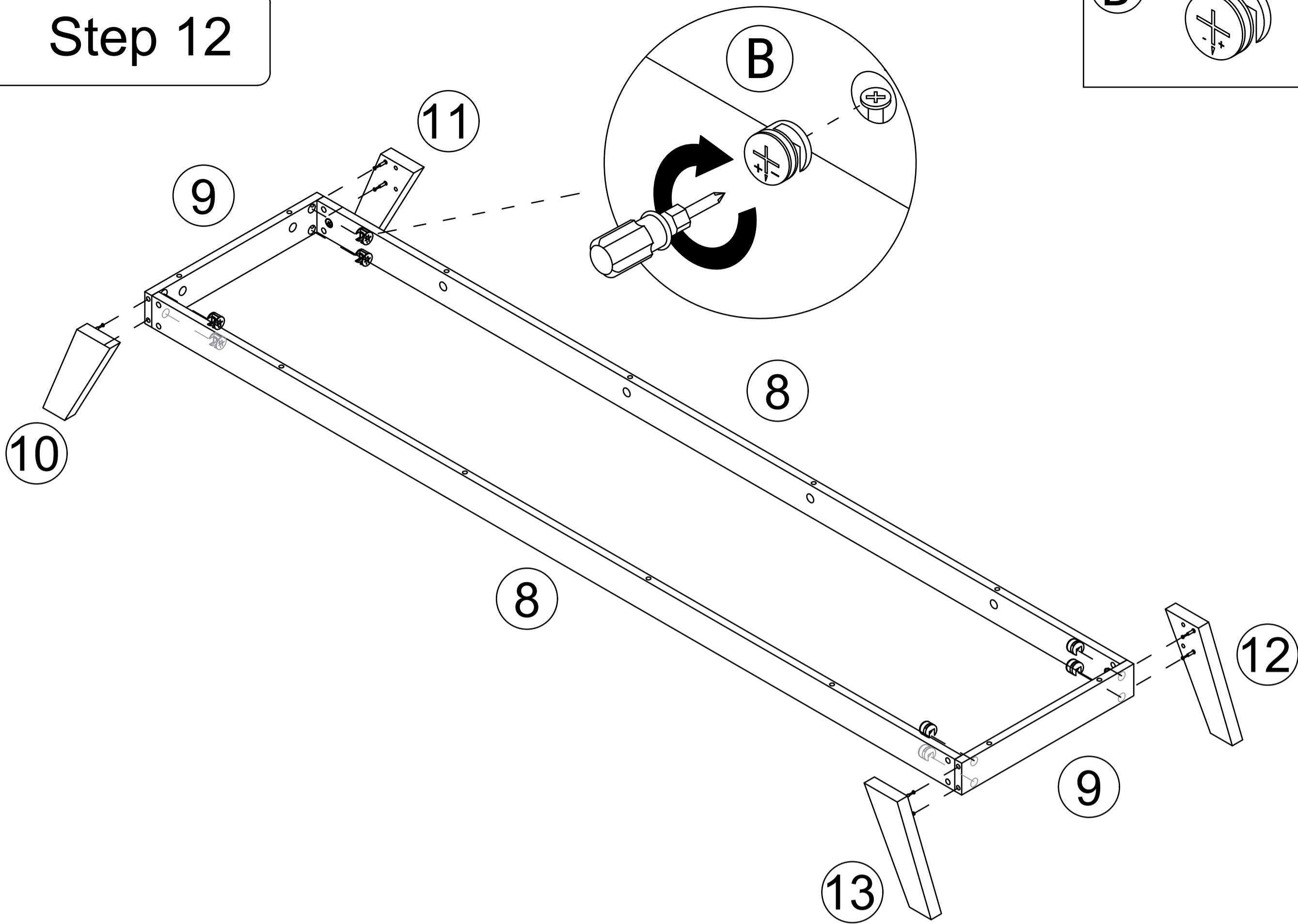
12

Step 12

B

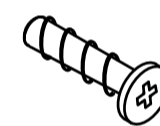


x 8

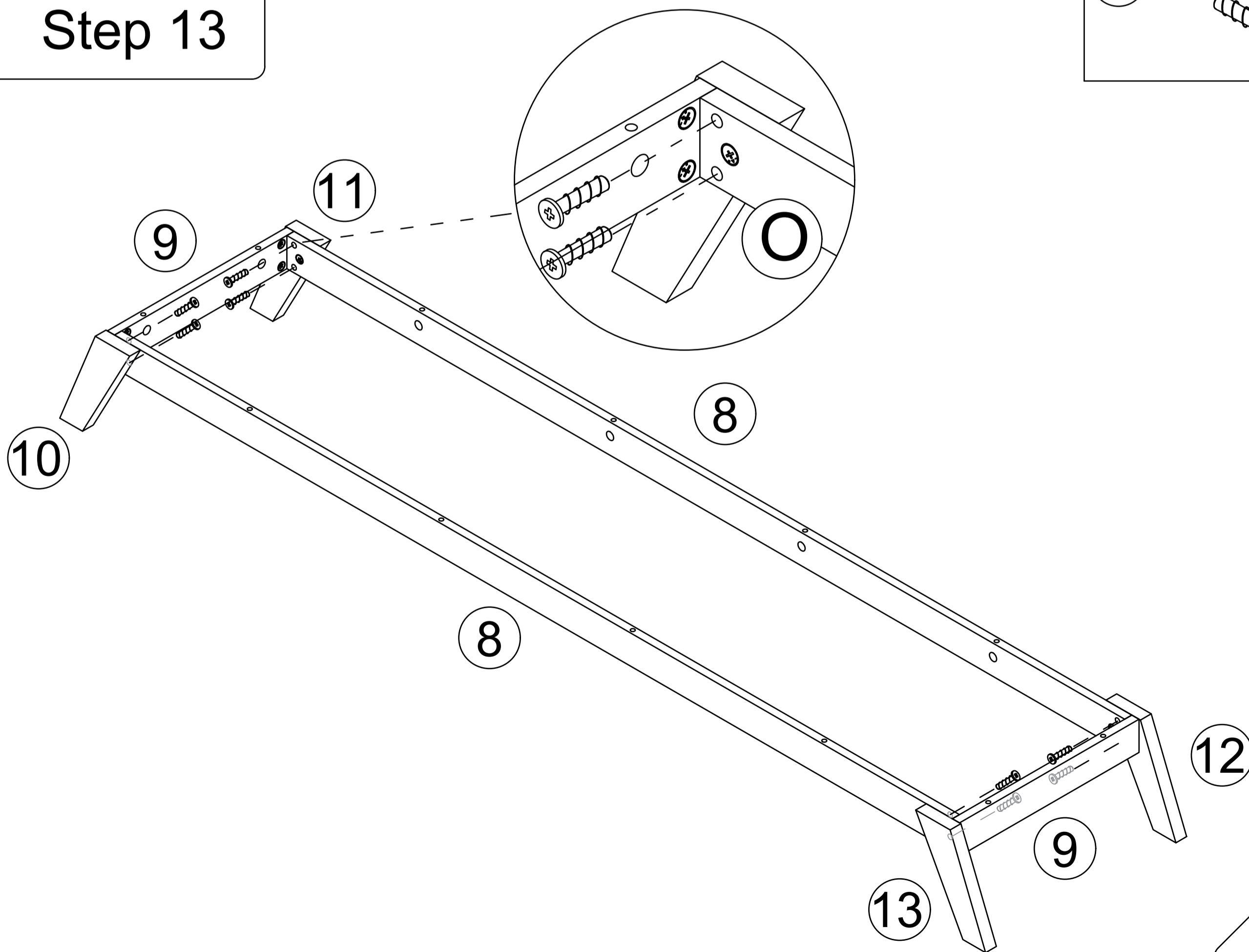


Step 13

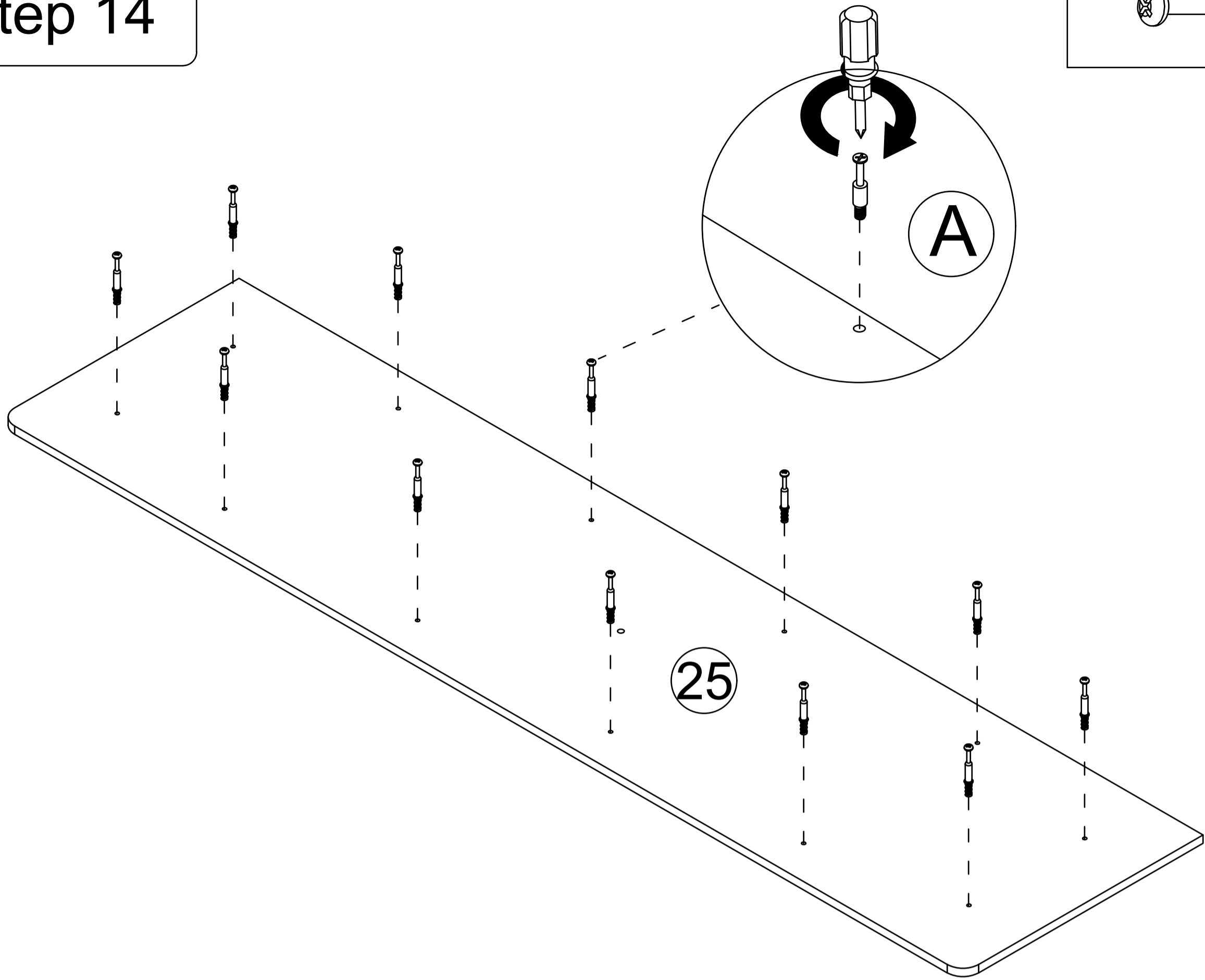
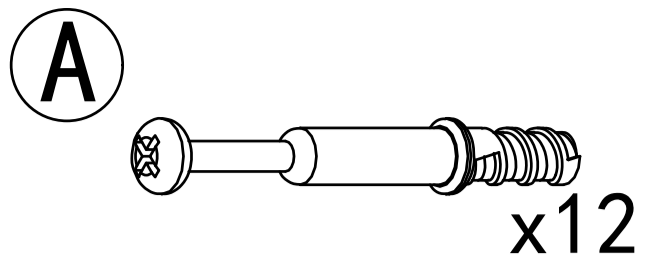
O



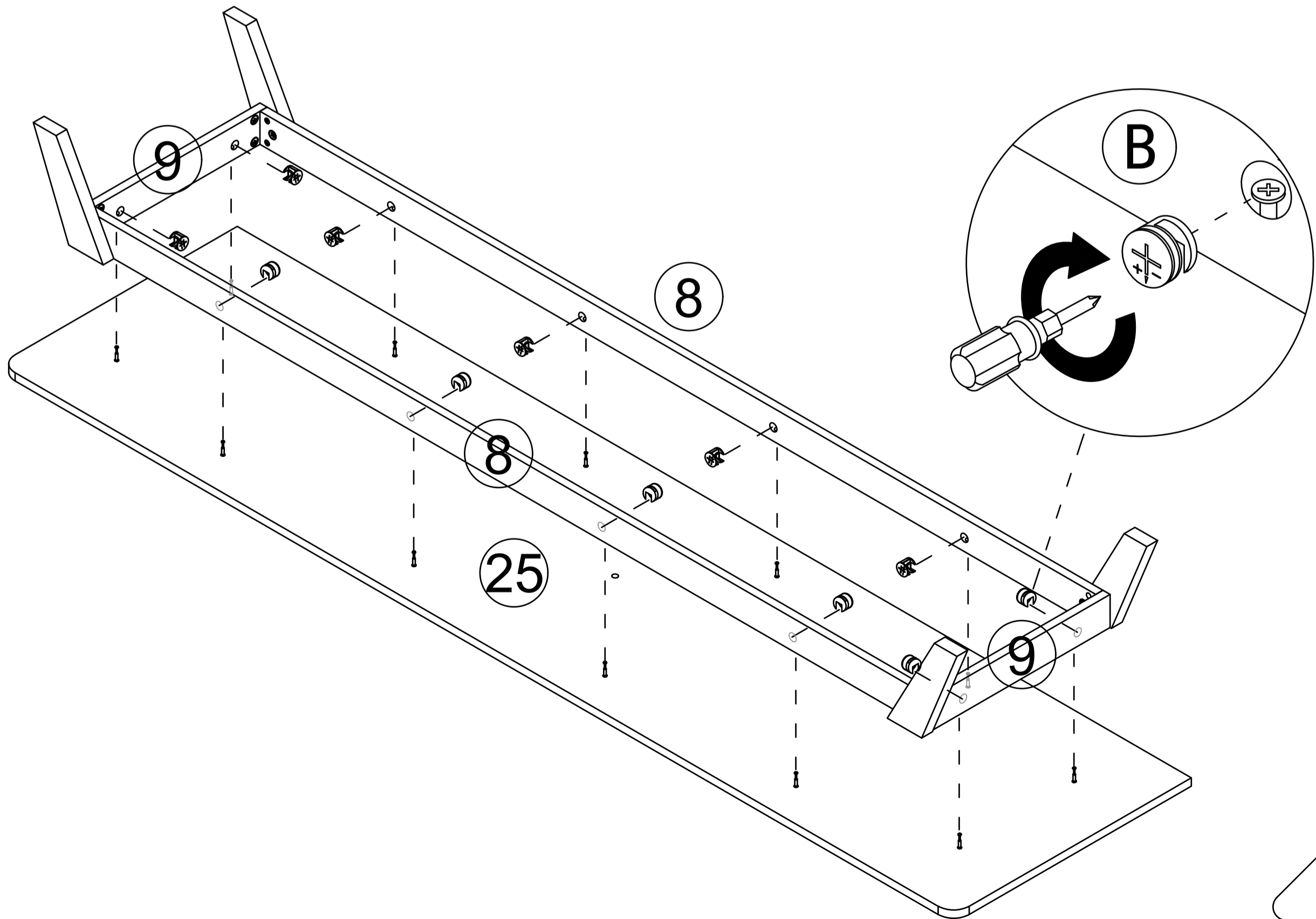
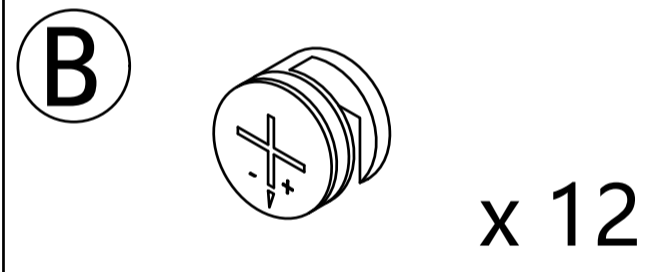
x 8



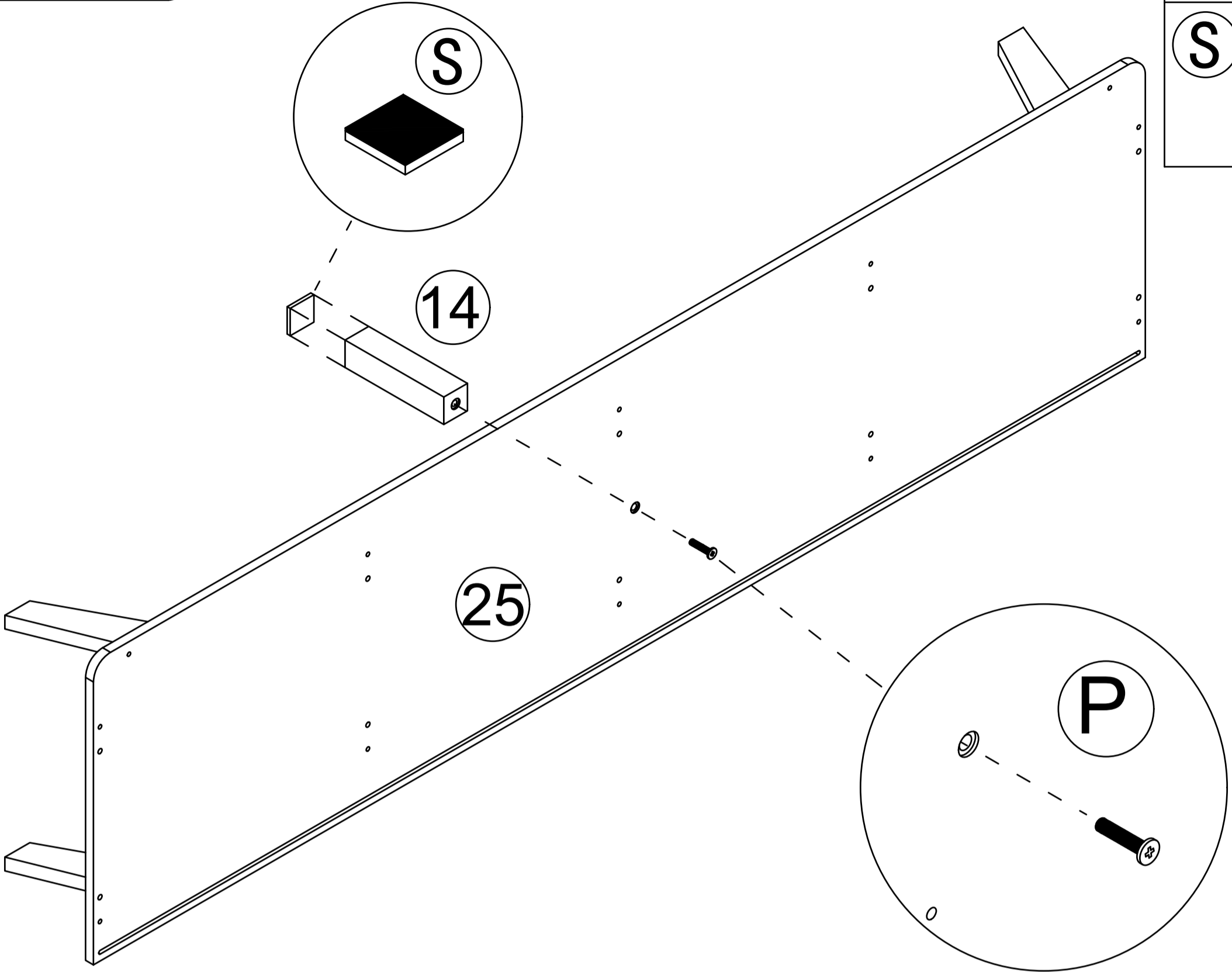
Step 14

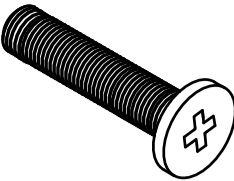


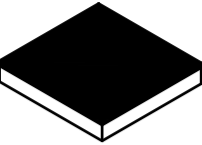
Step 15



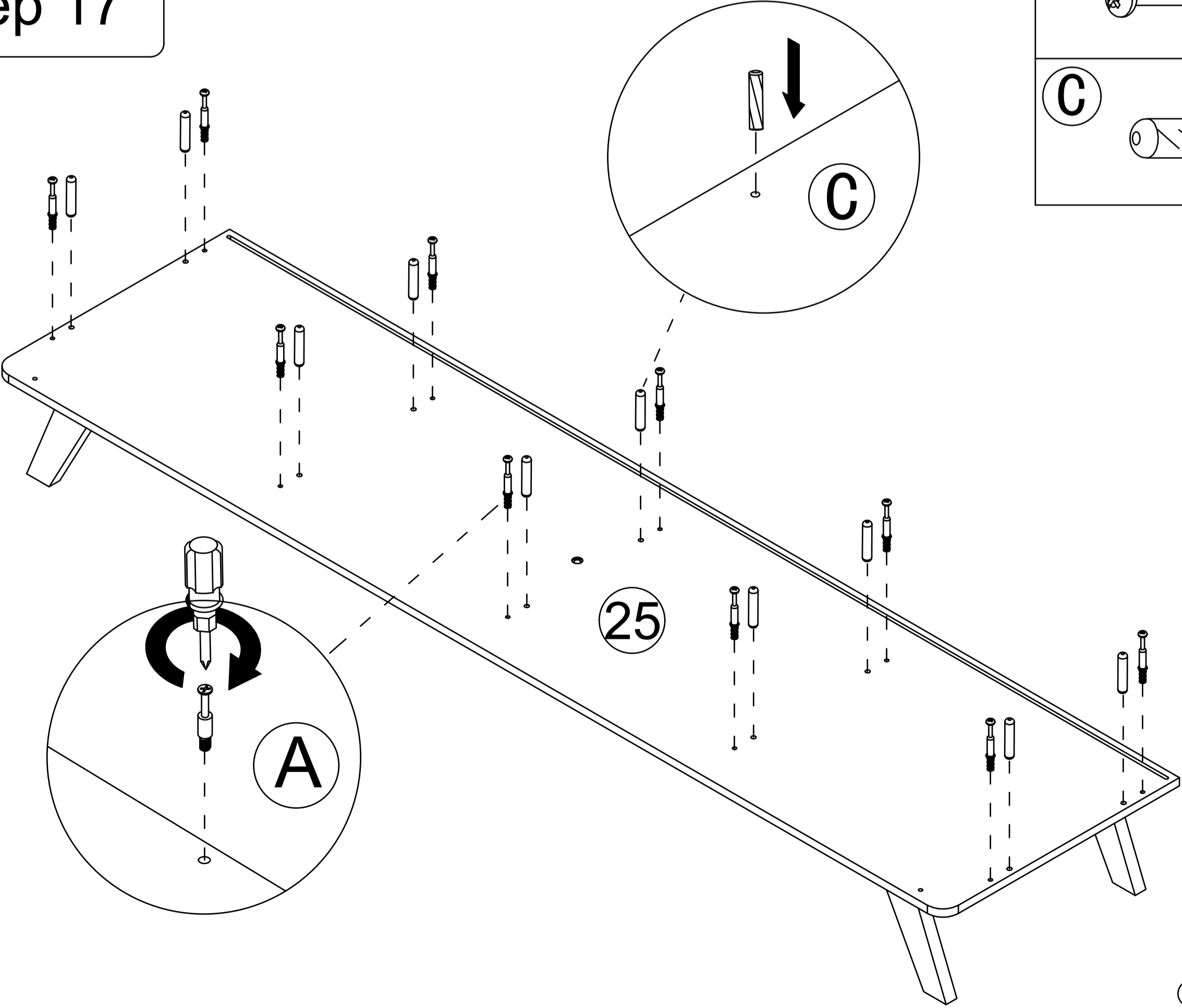
Step 16

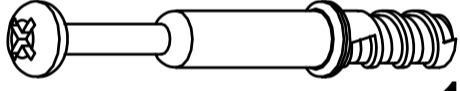


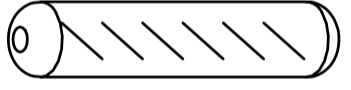
(P)  x 1

(S)  x 1


Step 17

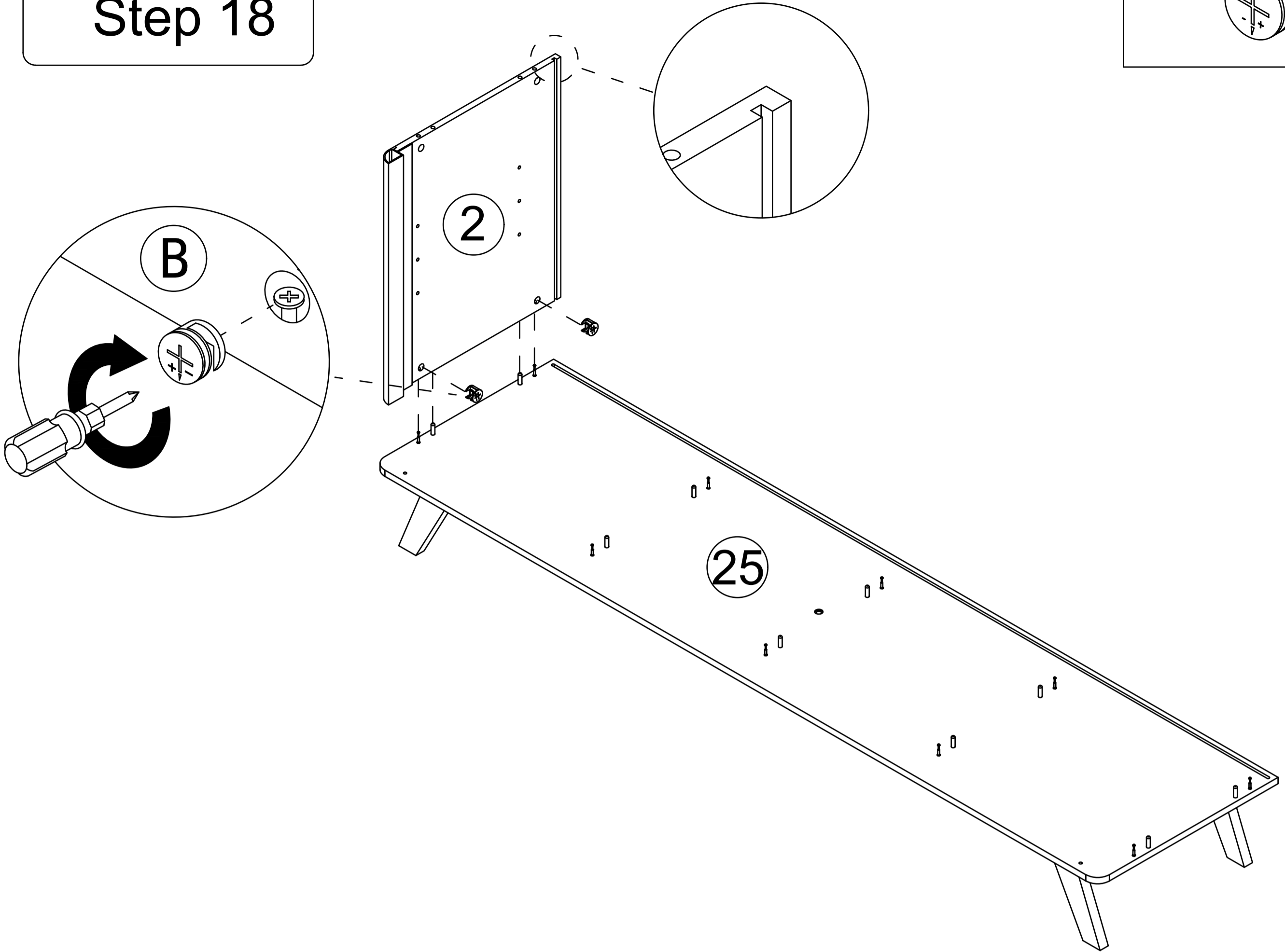


(A)  x10


(C)  x10

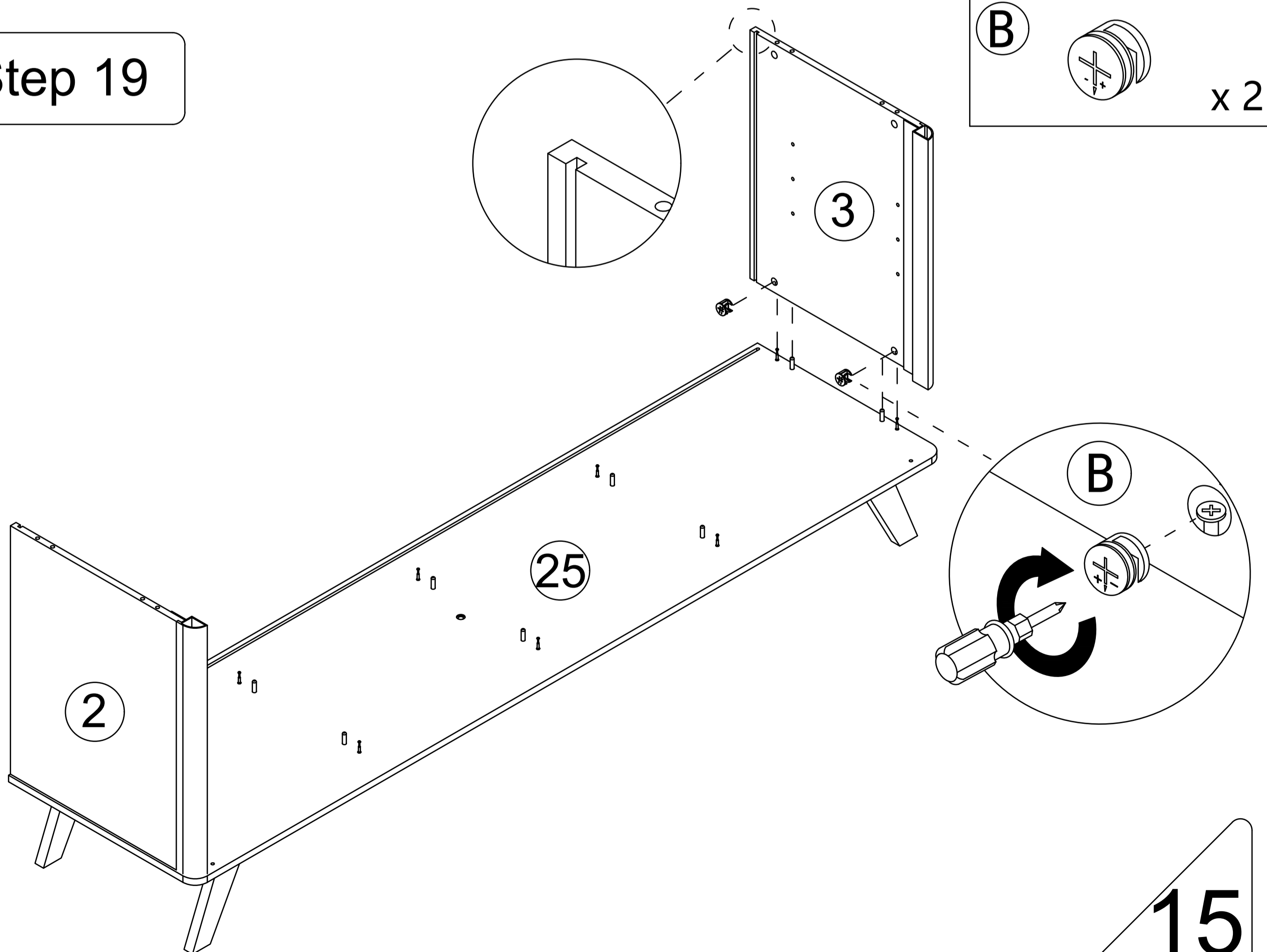
Step 18

B  x 2

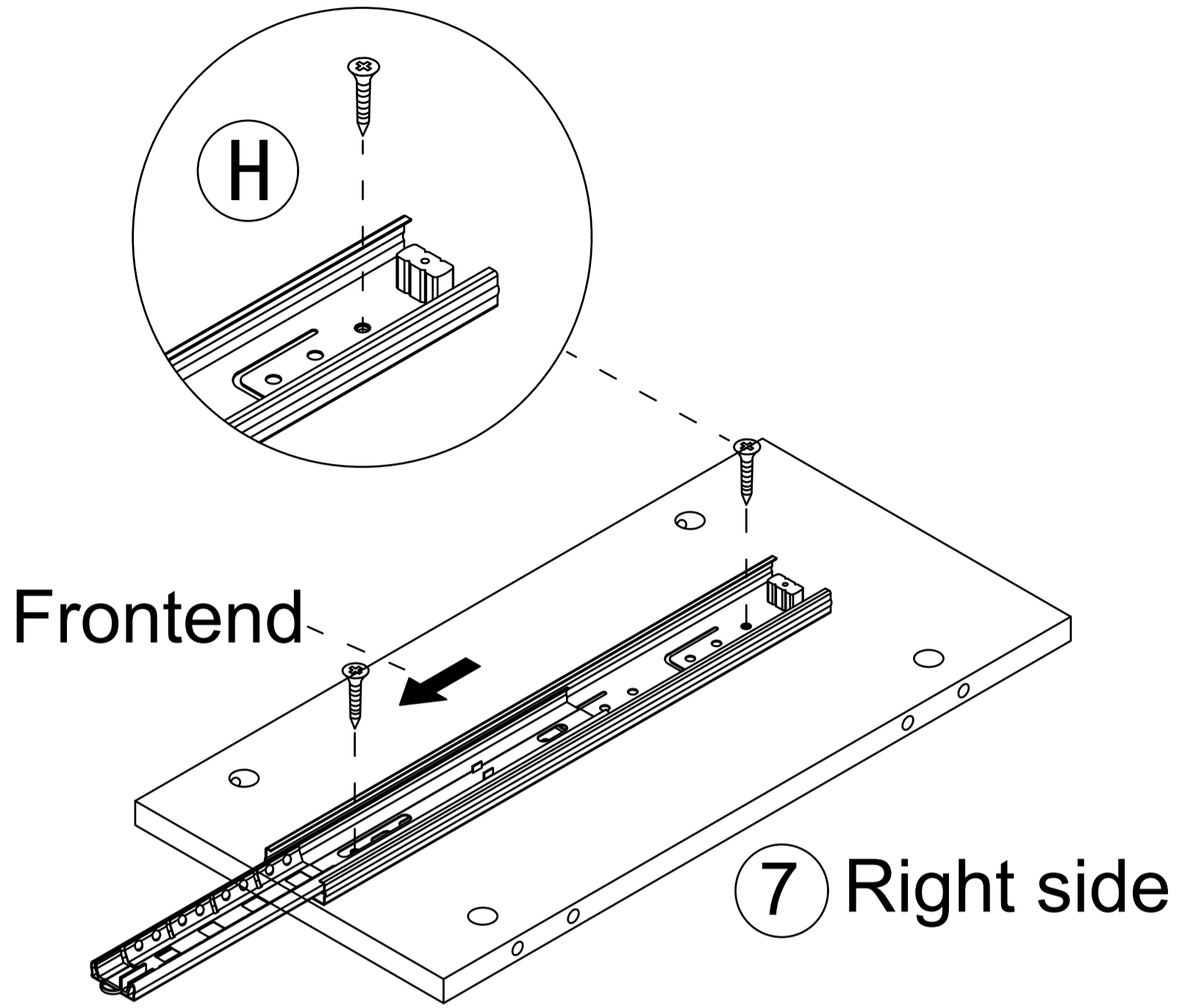
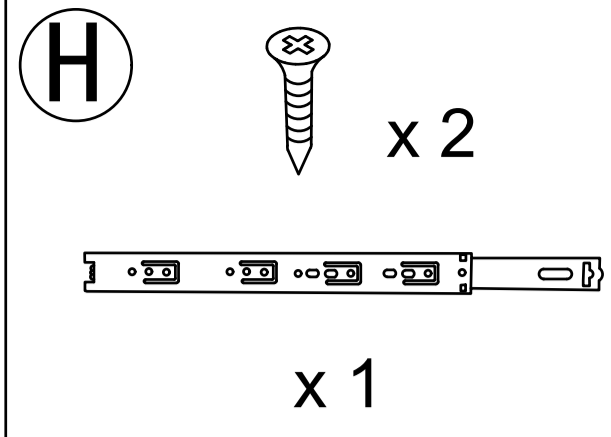
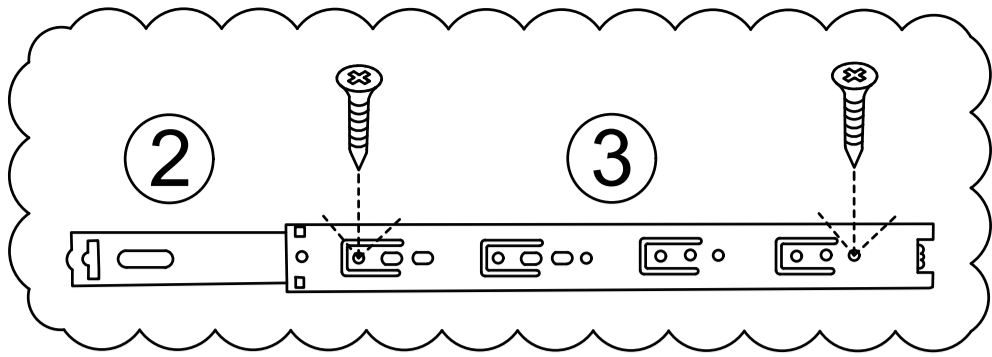


Step 19

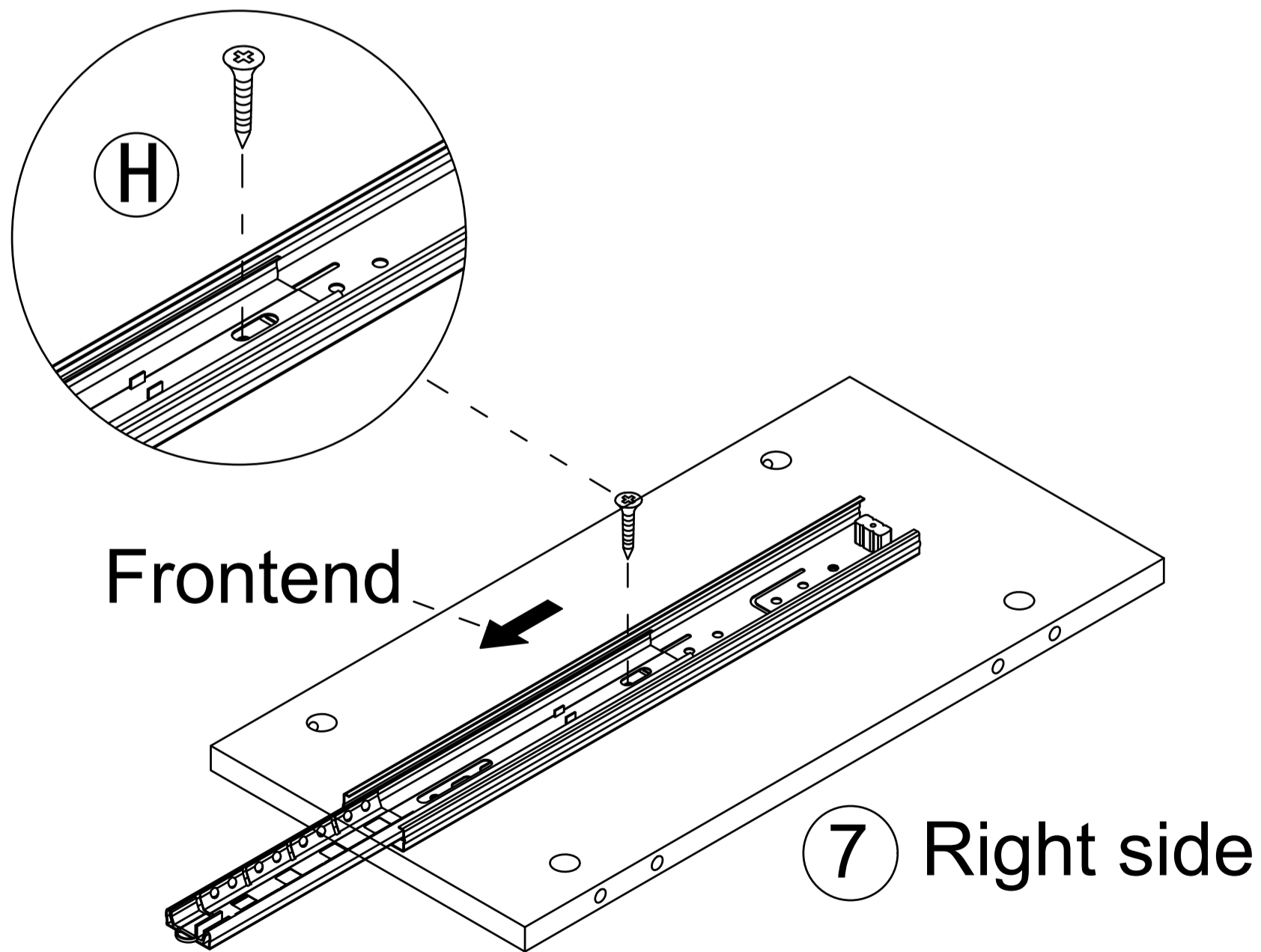
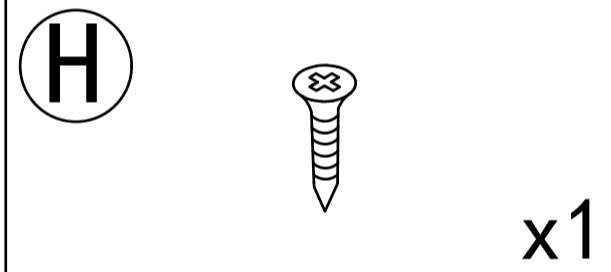
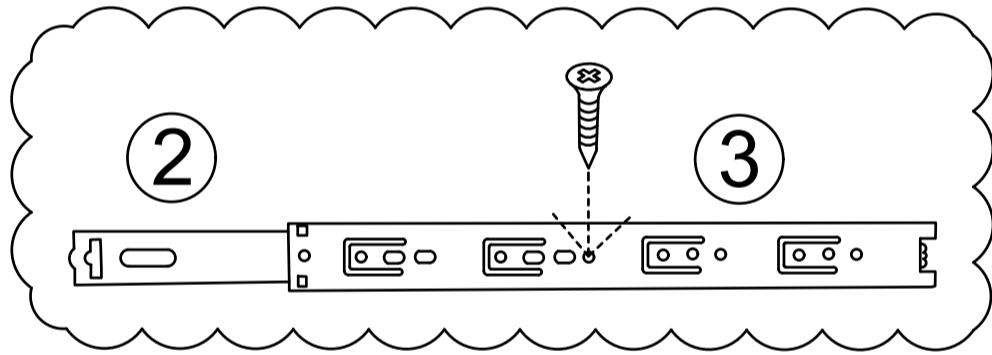
B  x 2



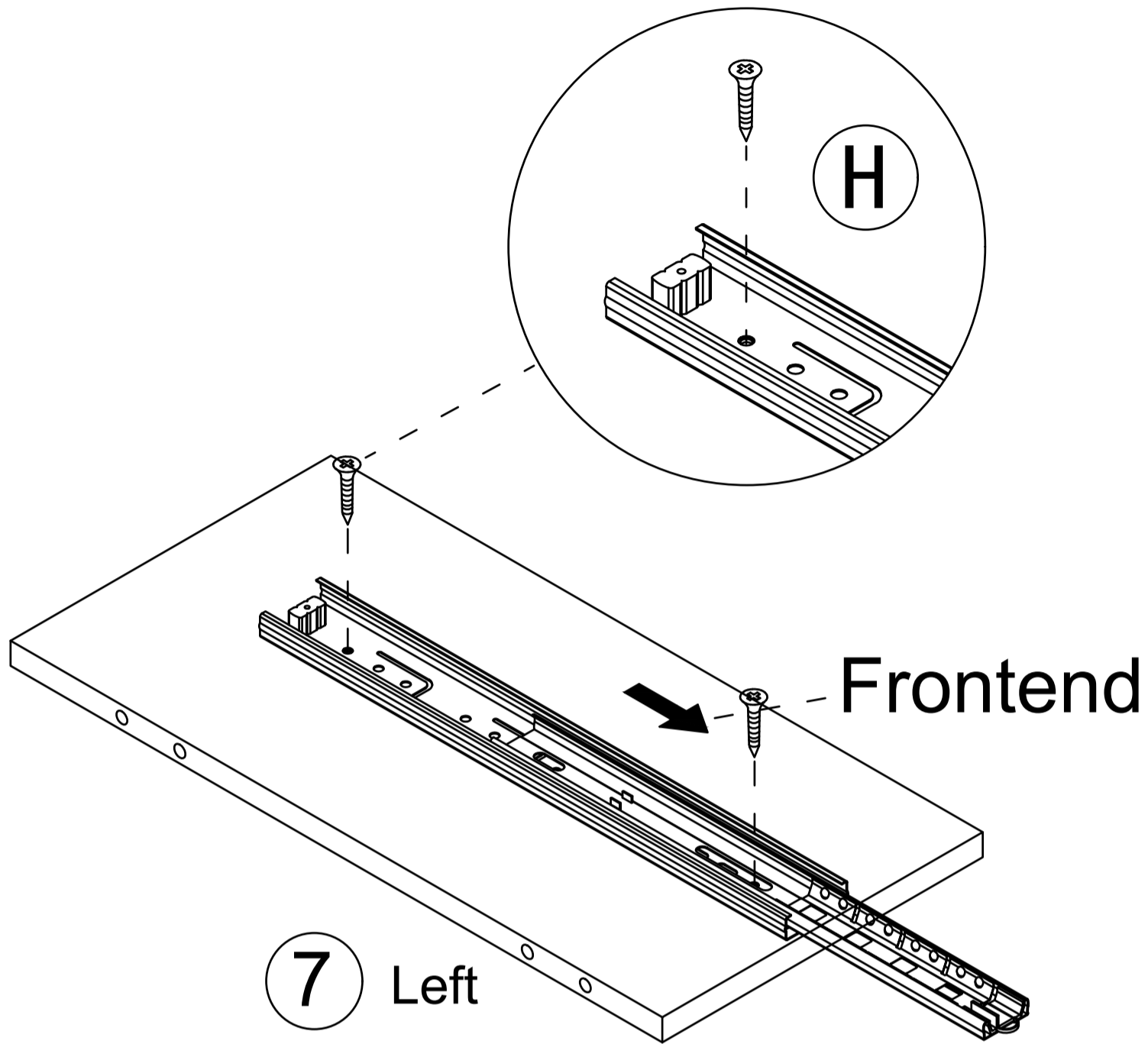
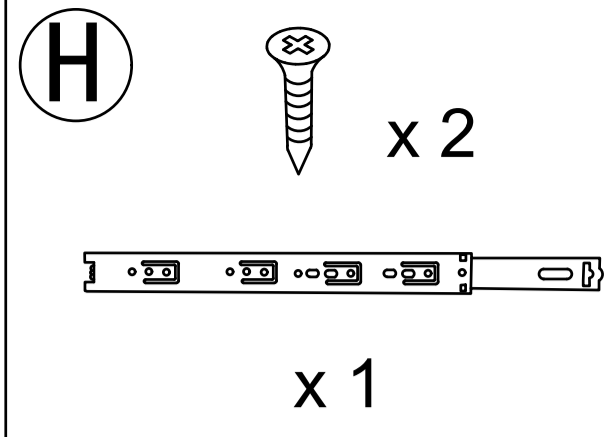
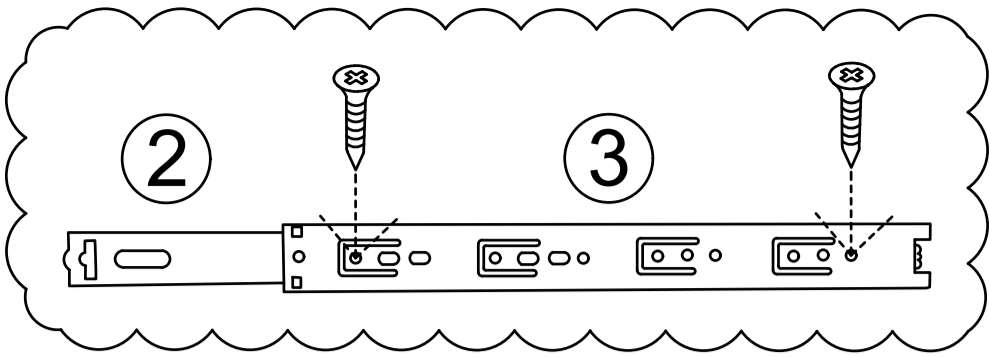
Step 20



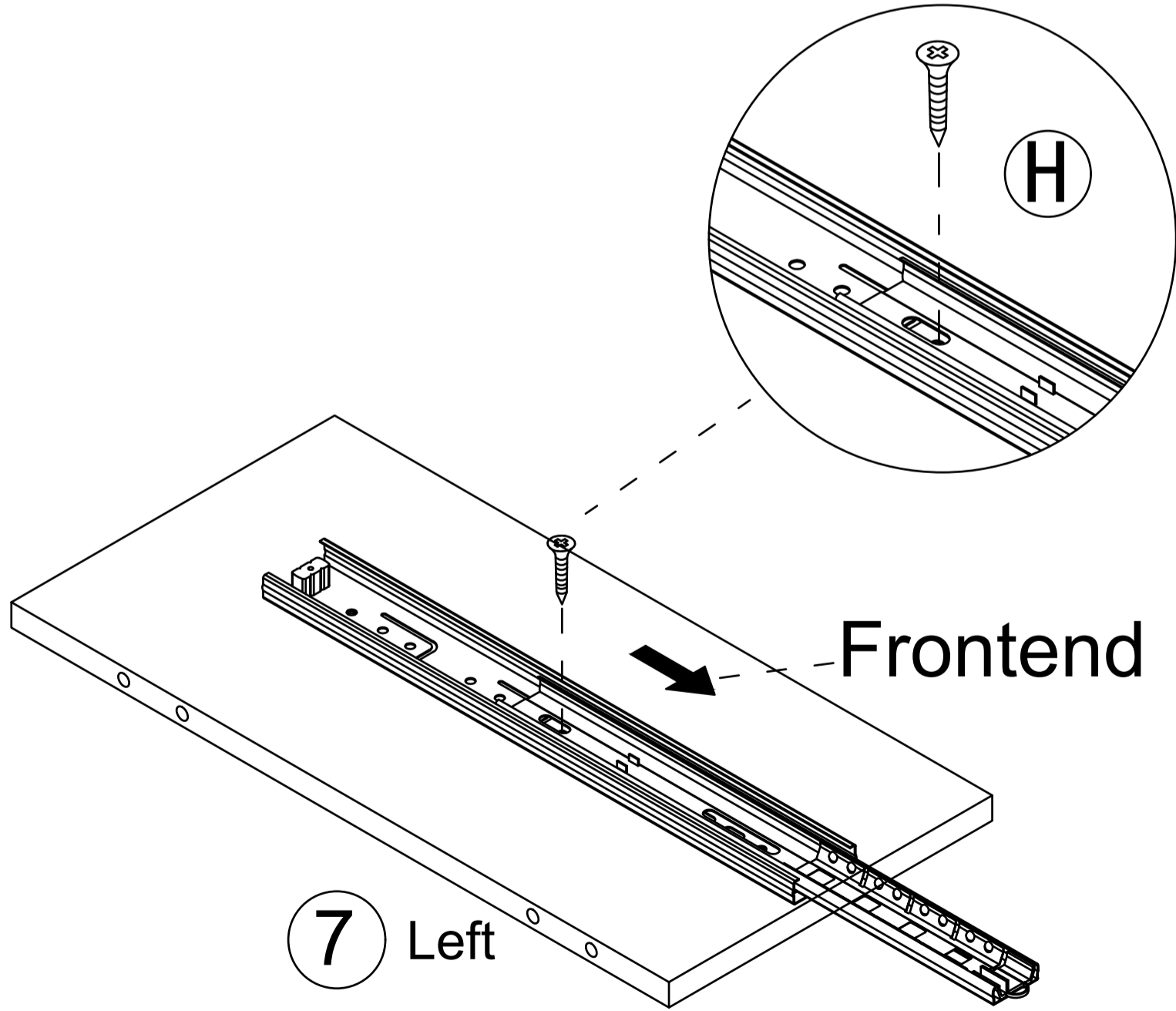
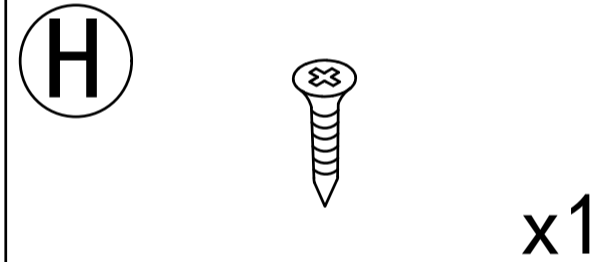
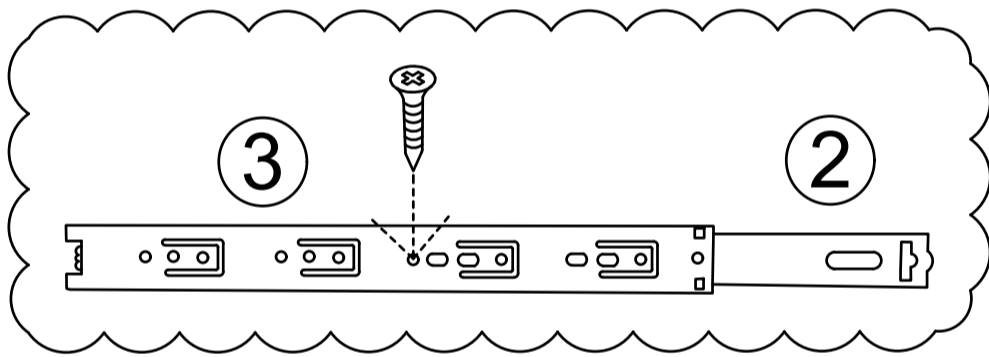
Step 21



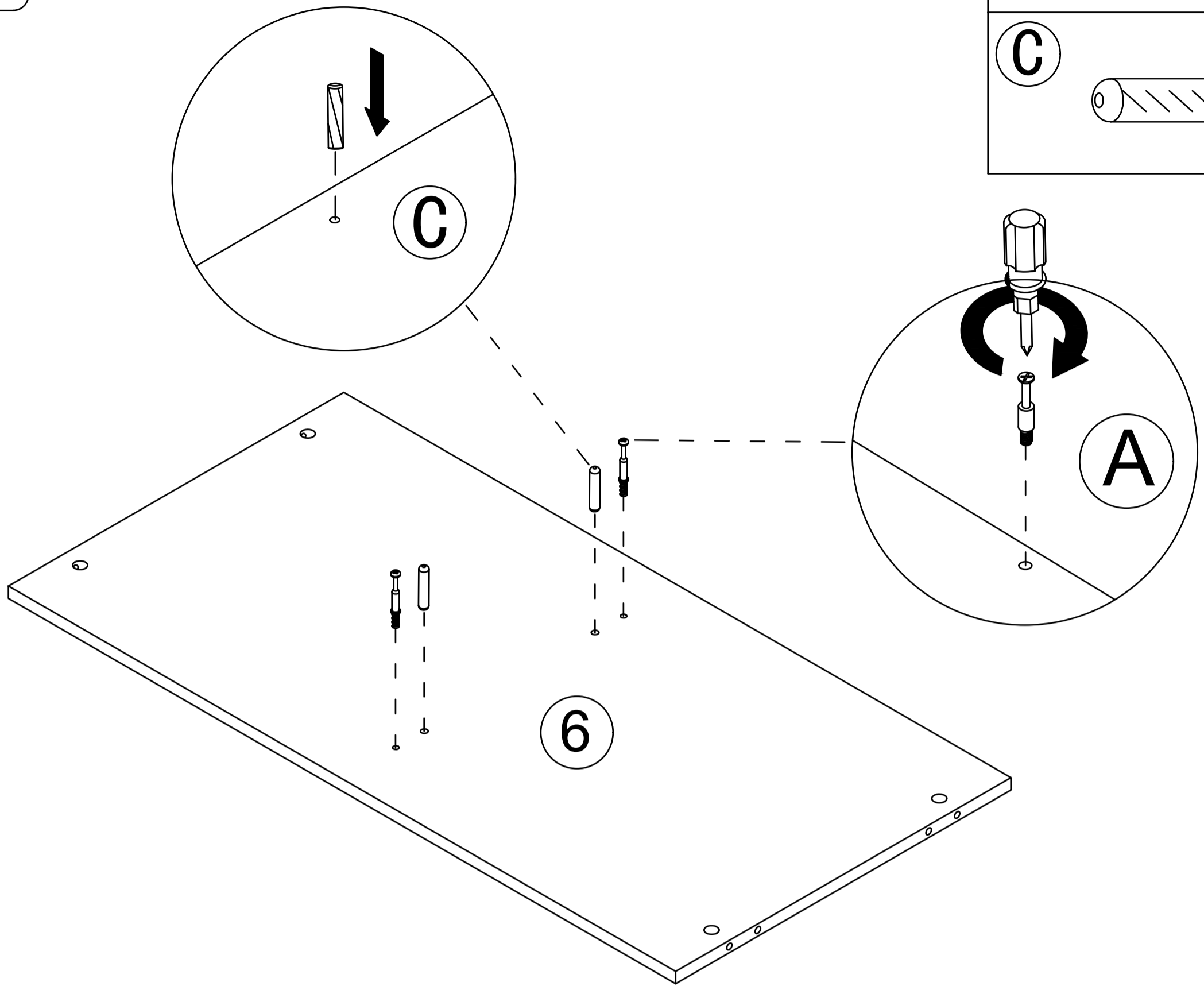
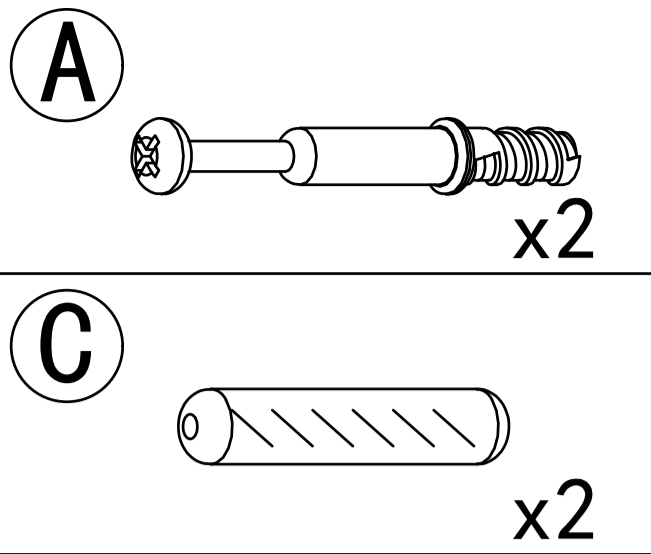
Step 22



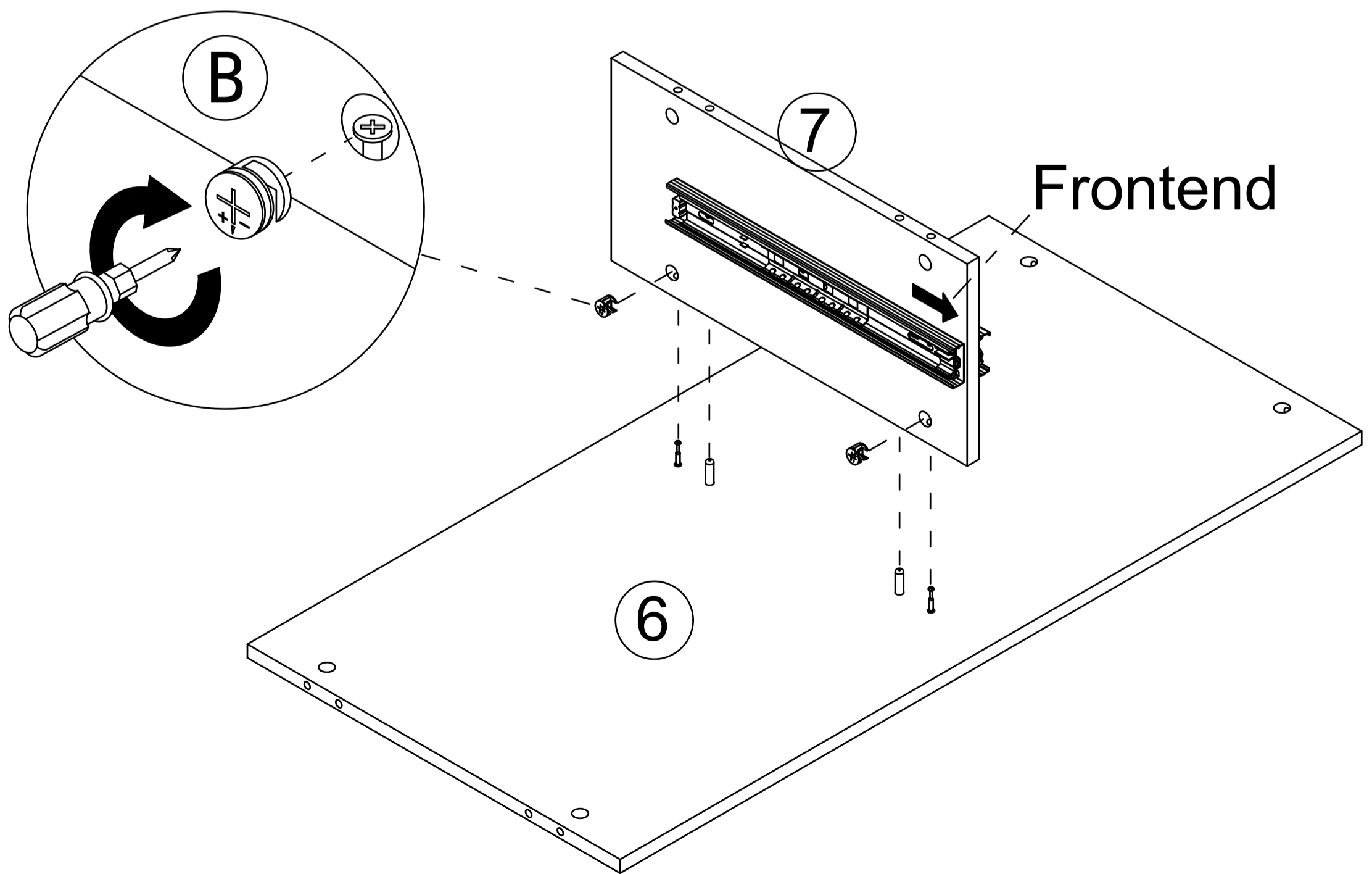
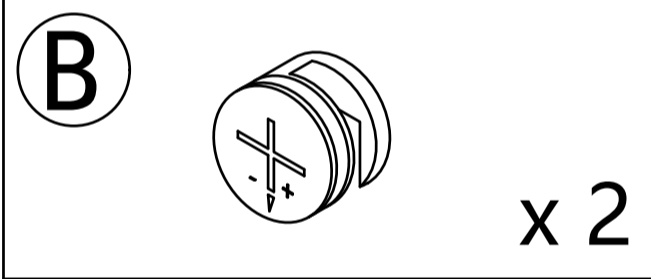
Step 23



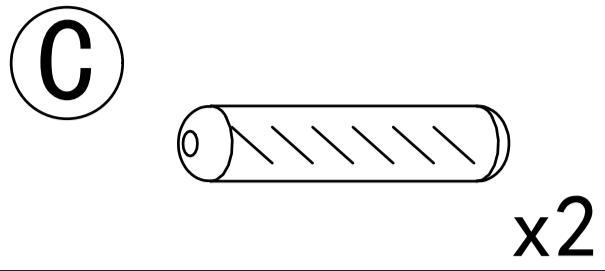
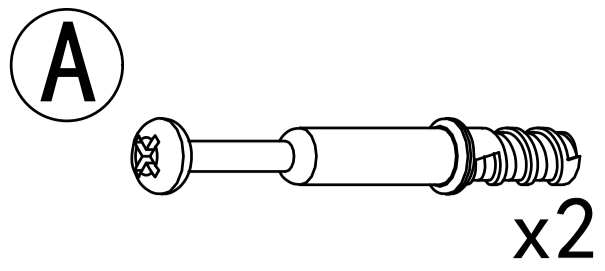
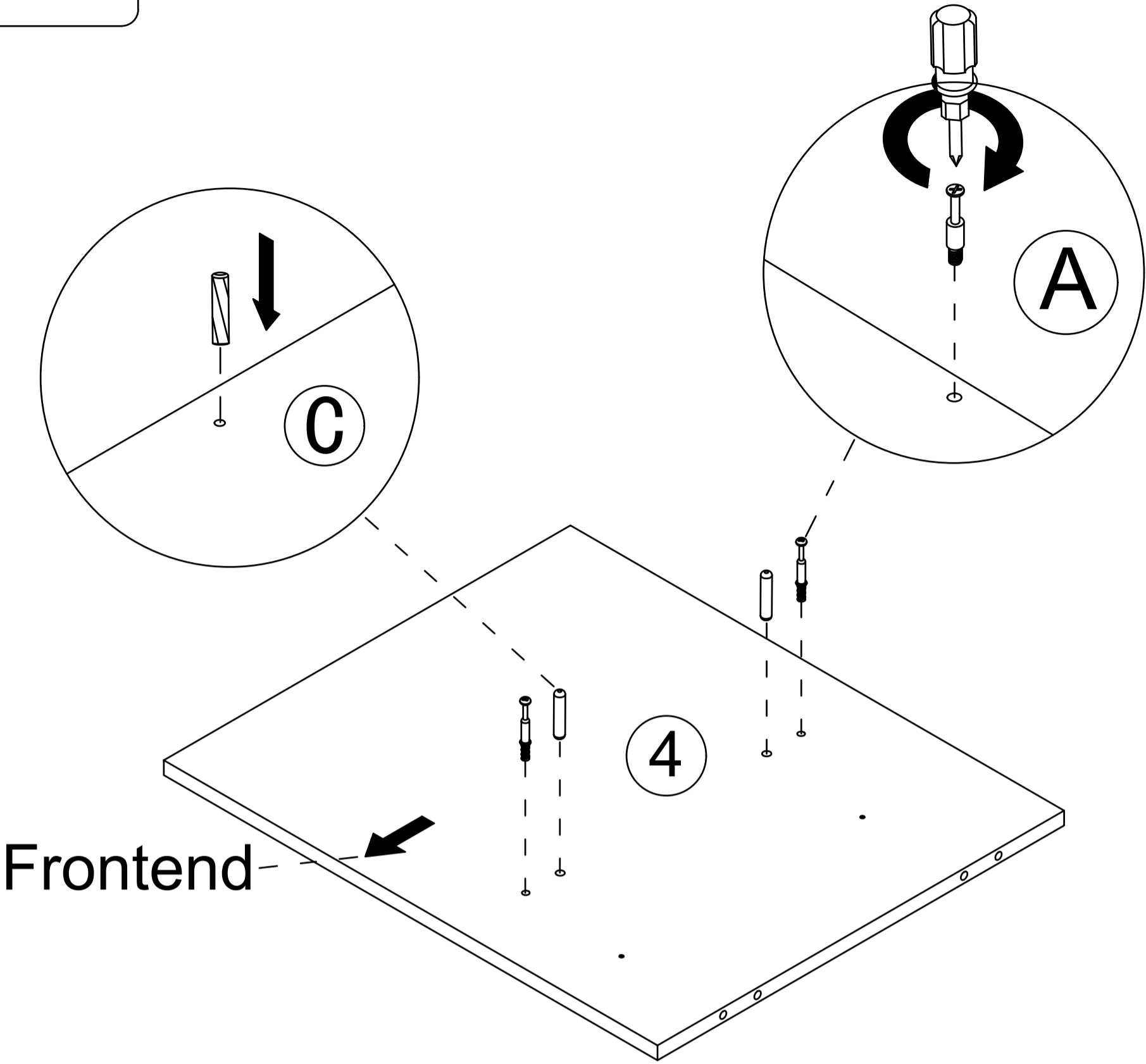
Step 24



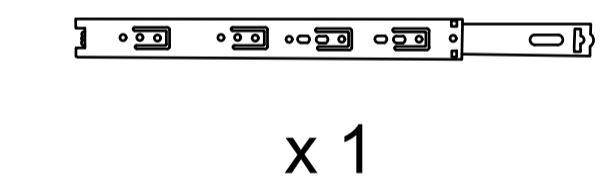
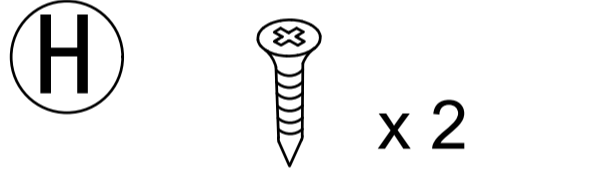
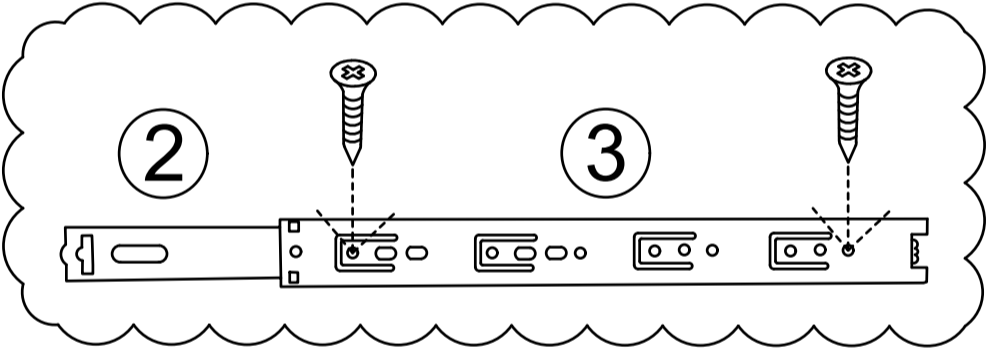
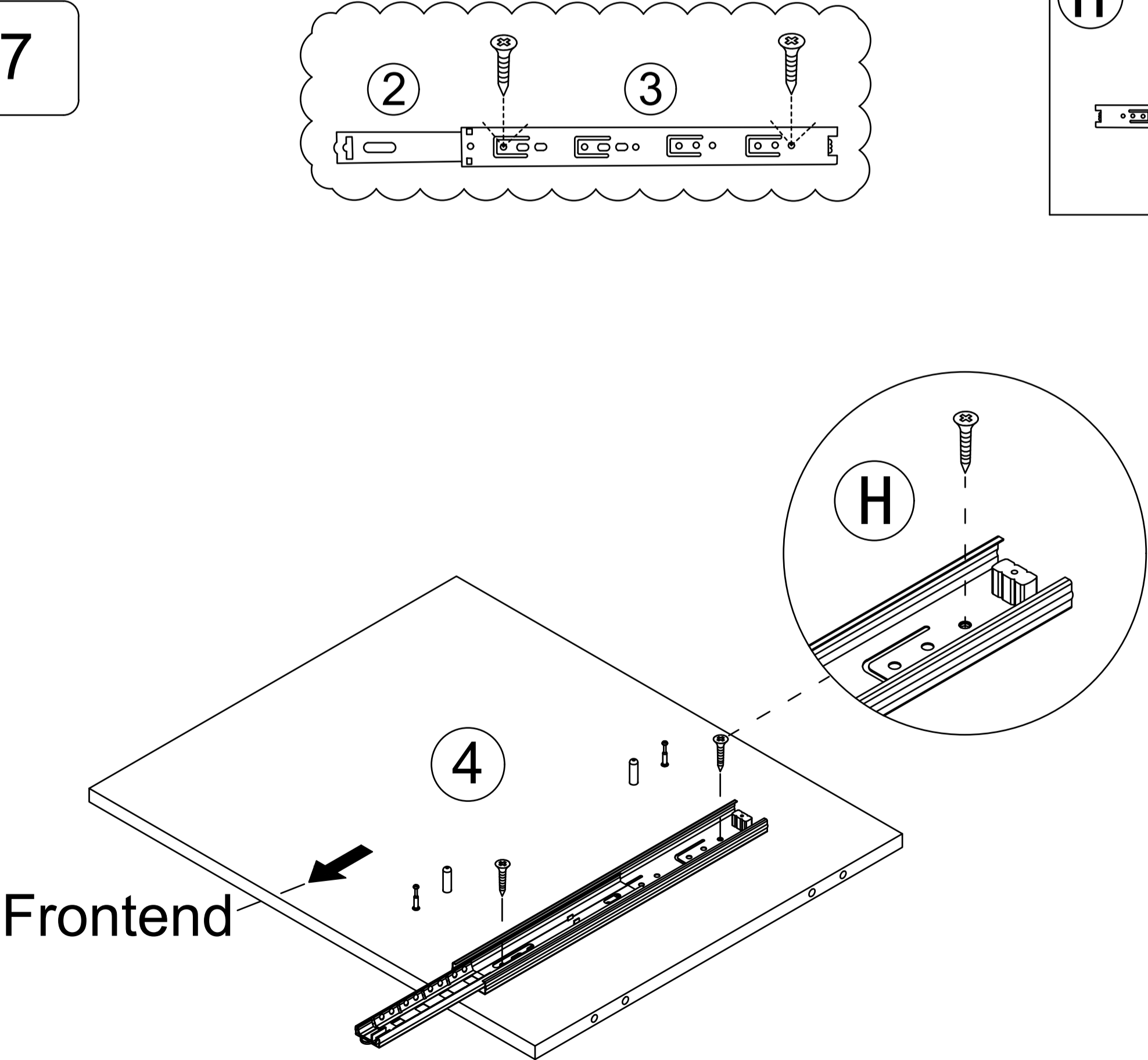
Step 25



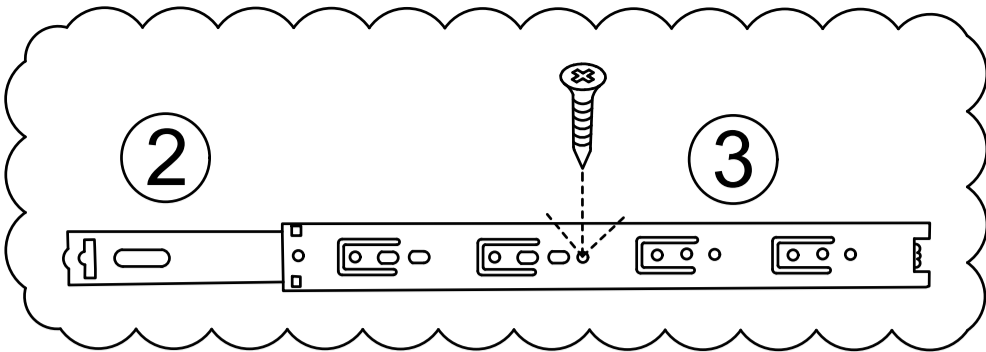
Step 26



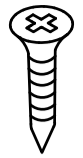
Step 27



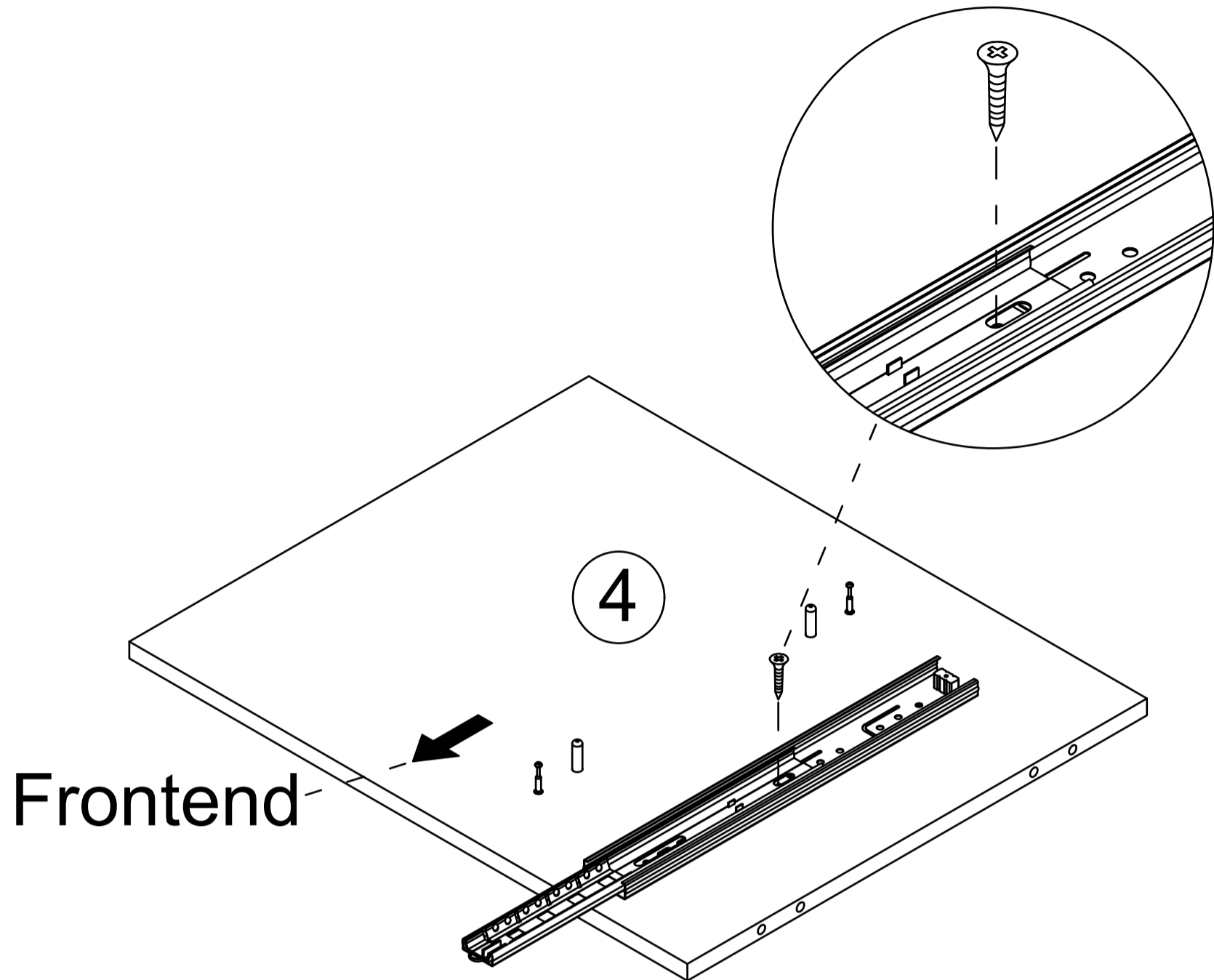
Step 28



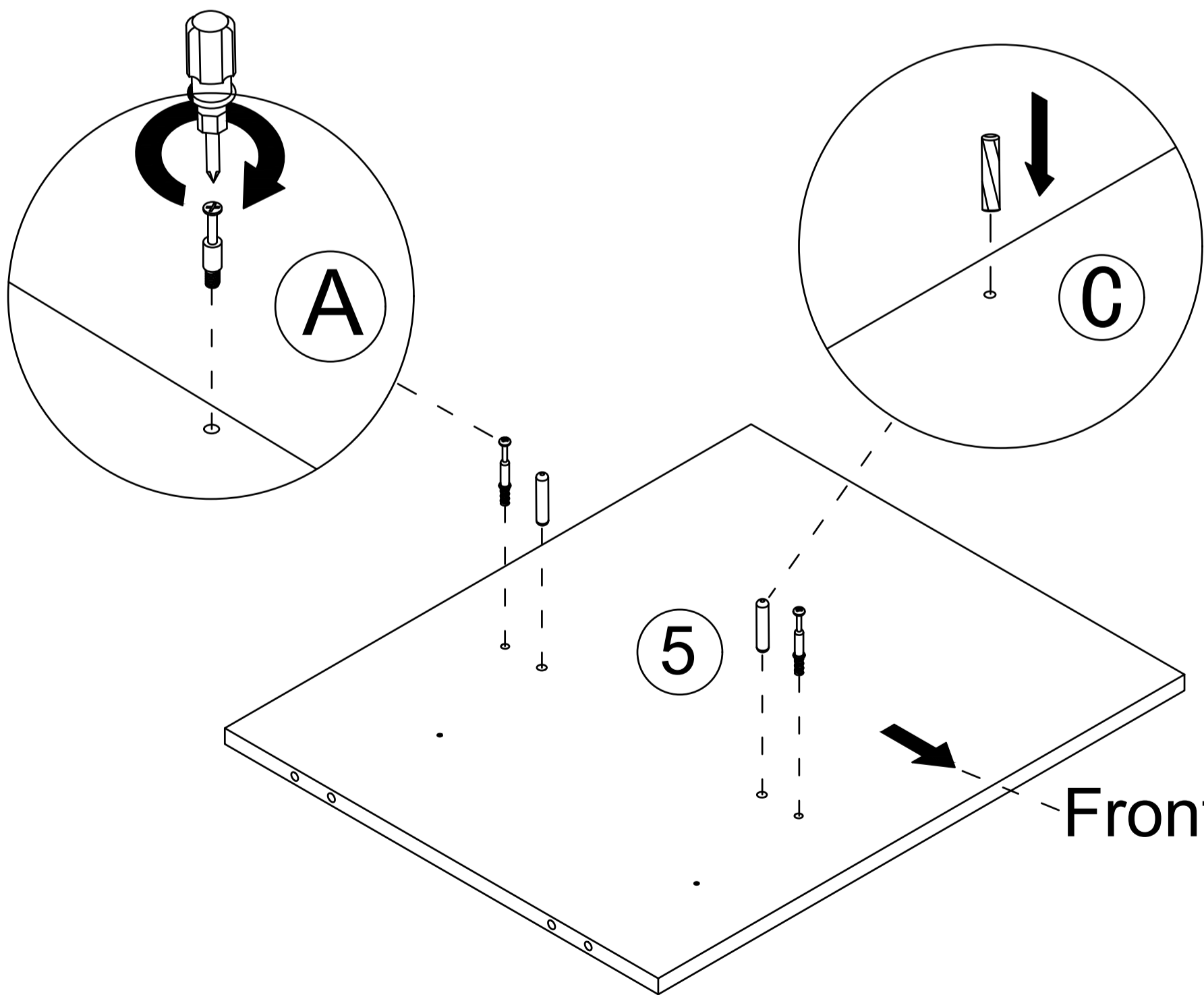
H



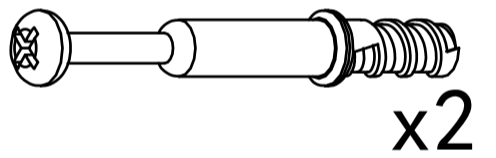
x1



Step 29



A



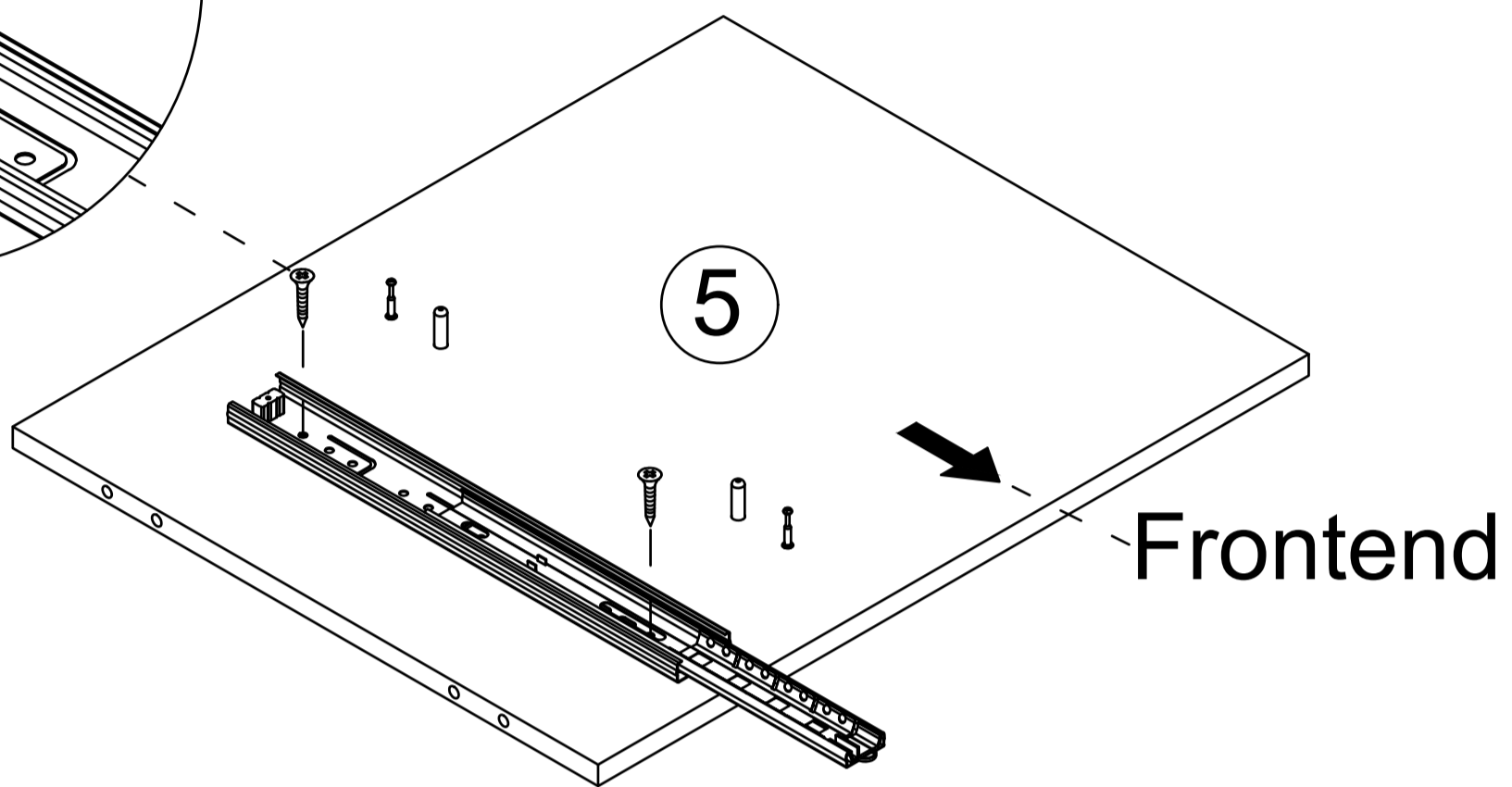
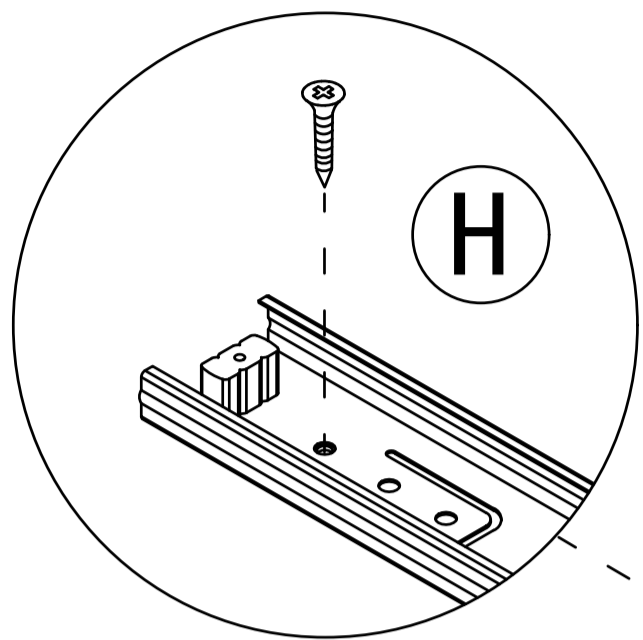
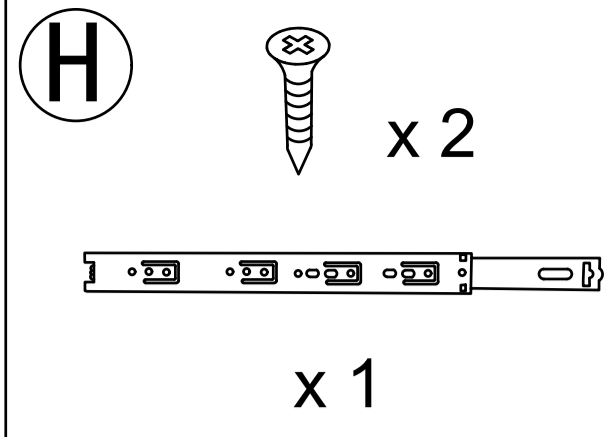
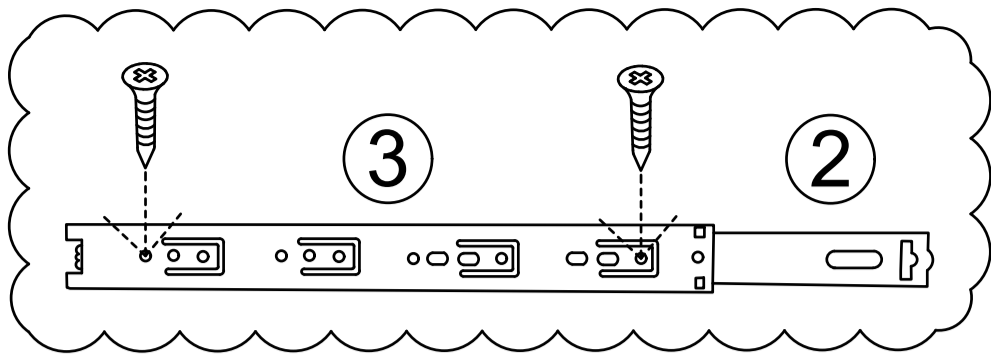
x2

C

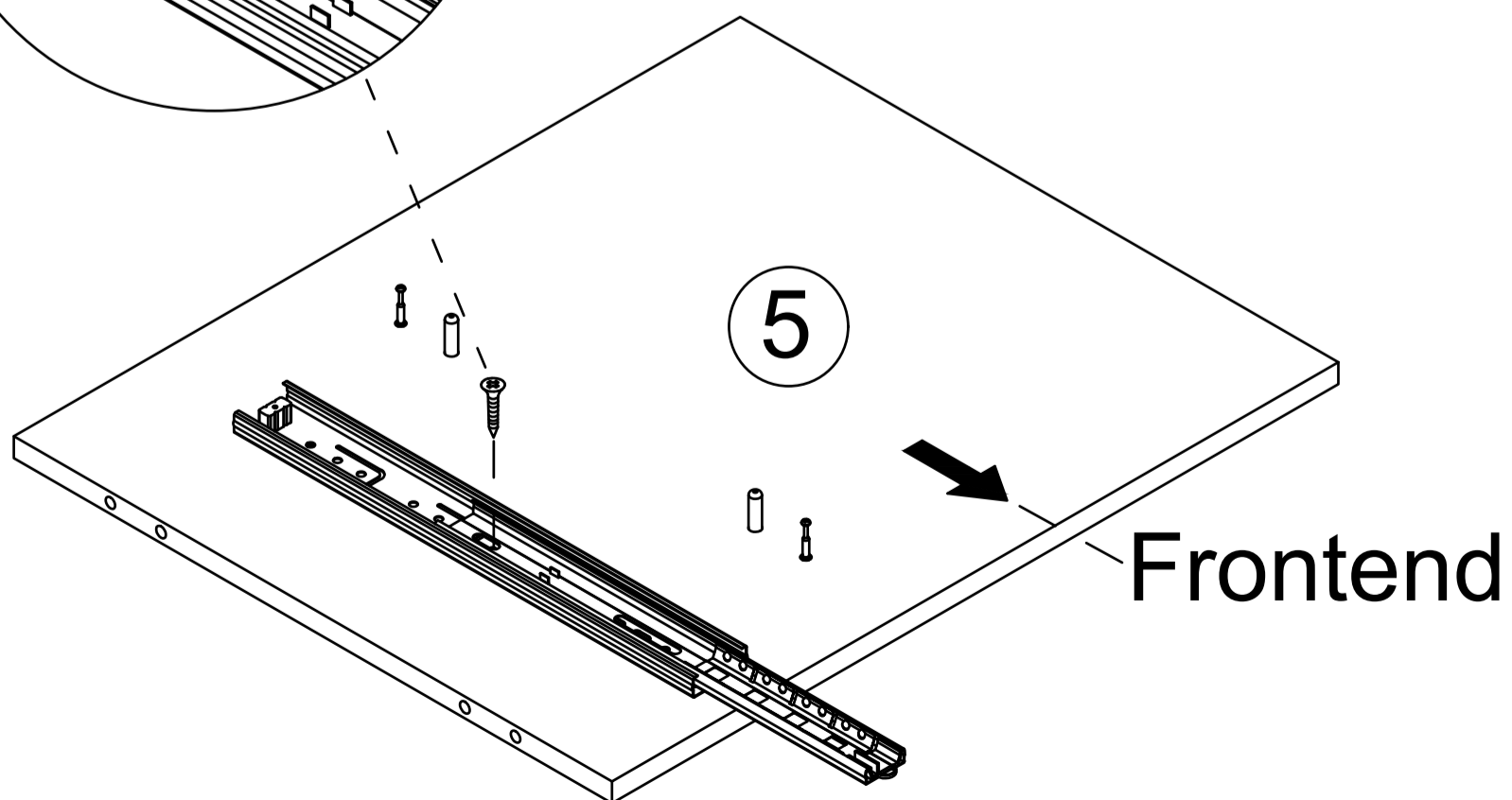
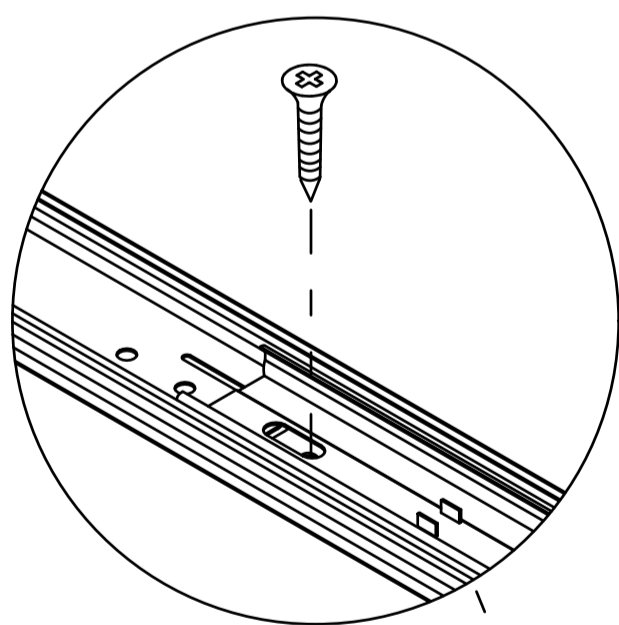
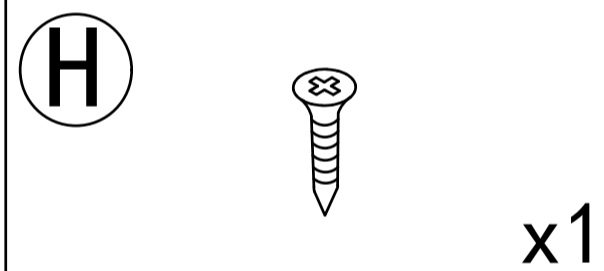
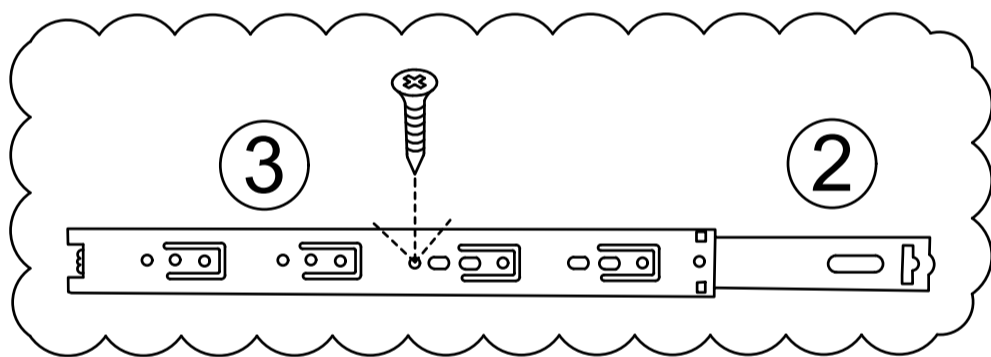


x2

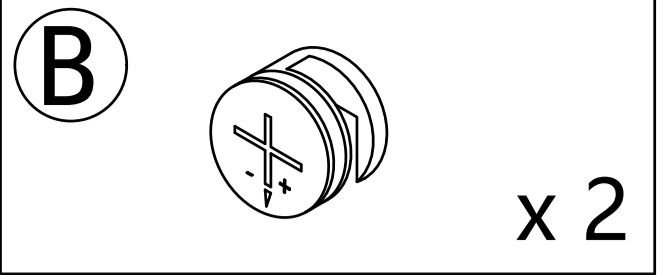
Step 30



Step 31

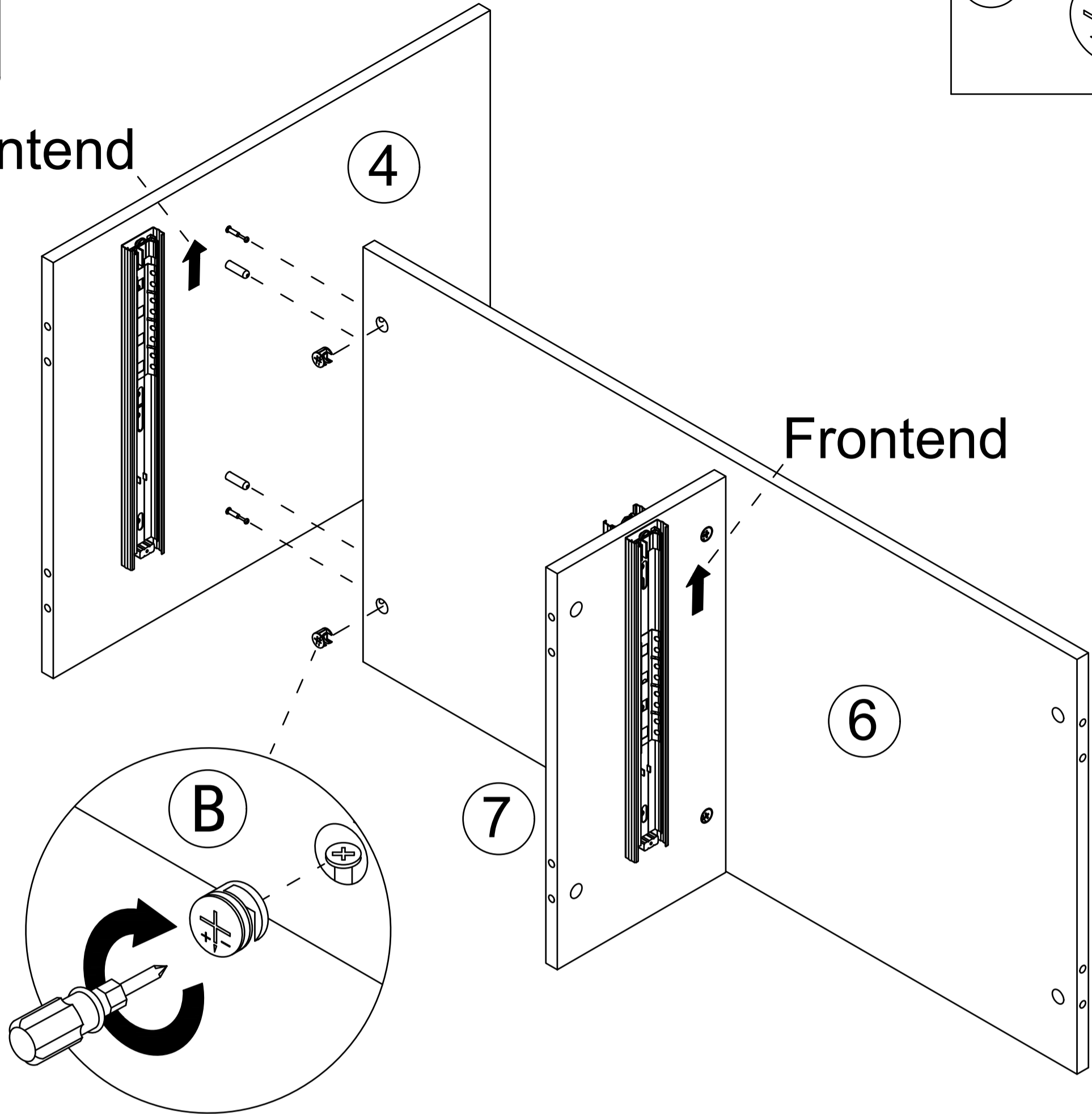


Step 32



Frontend

4

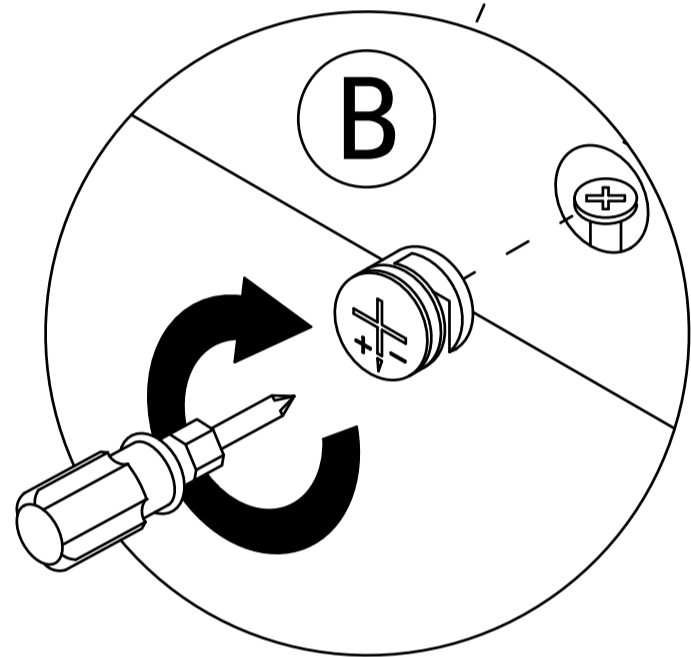


Frontend

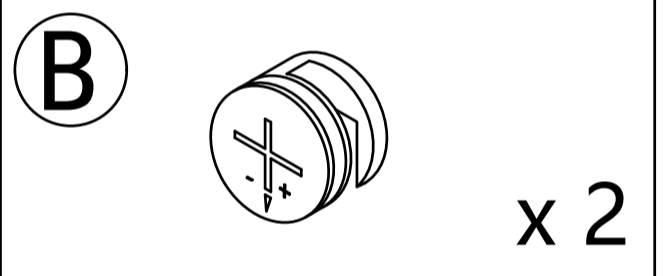
6

7

B



Step 33

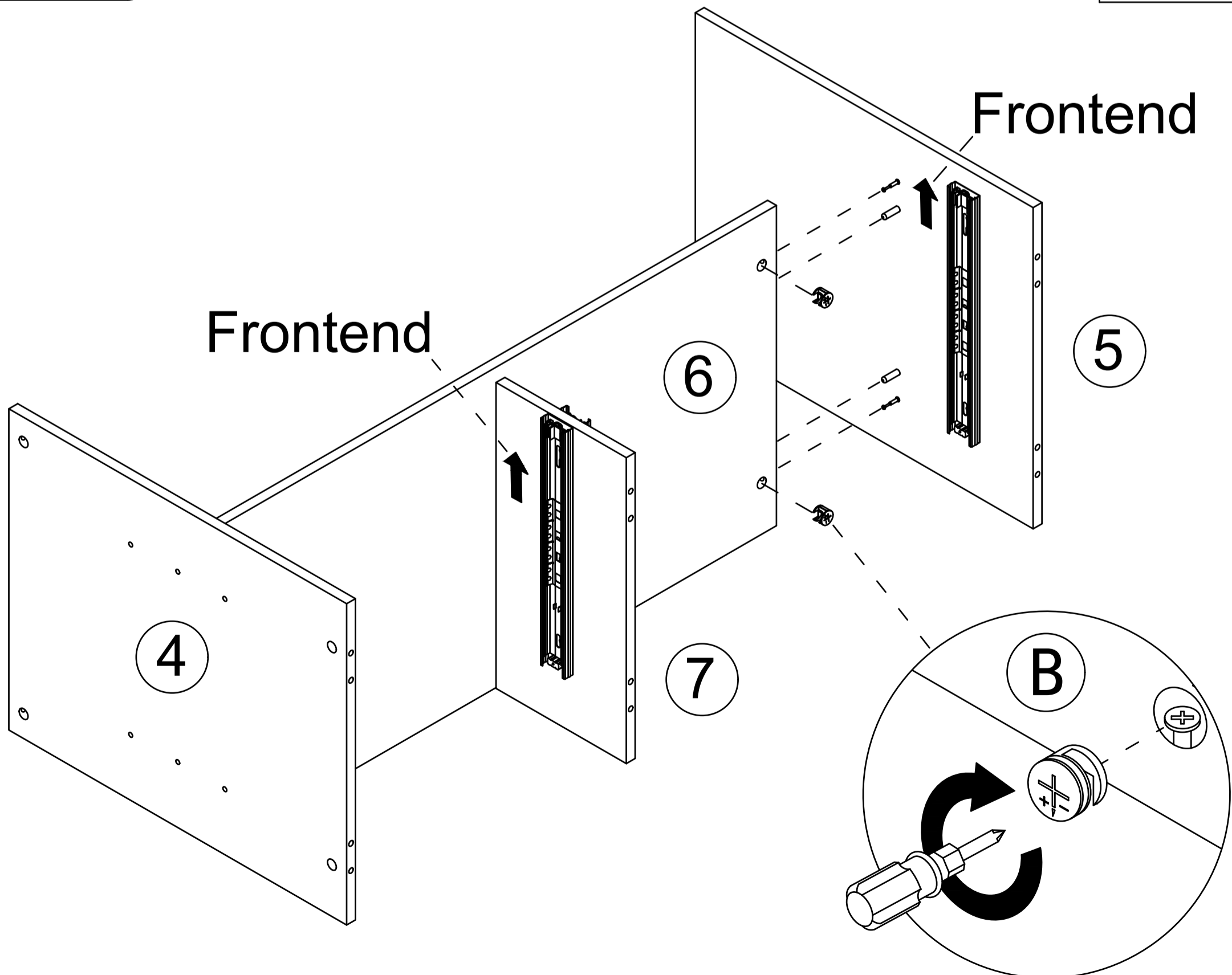


Frontend

Frontend

6

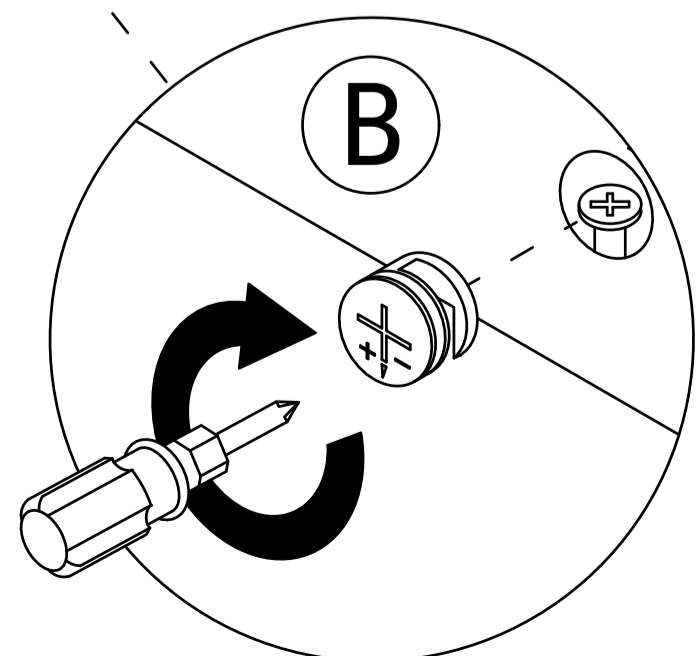
5



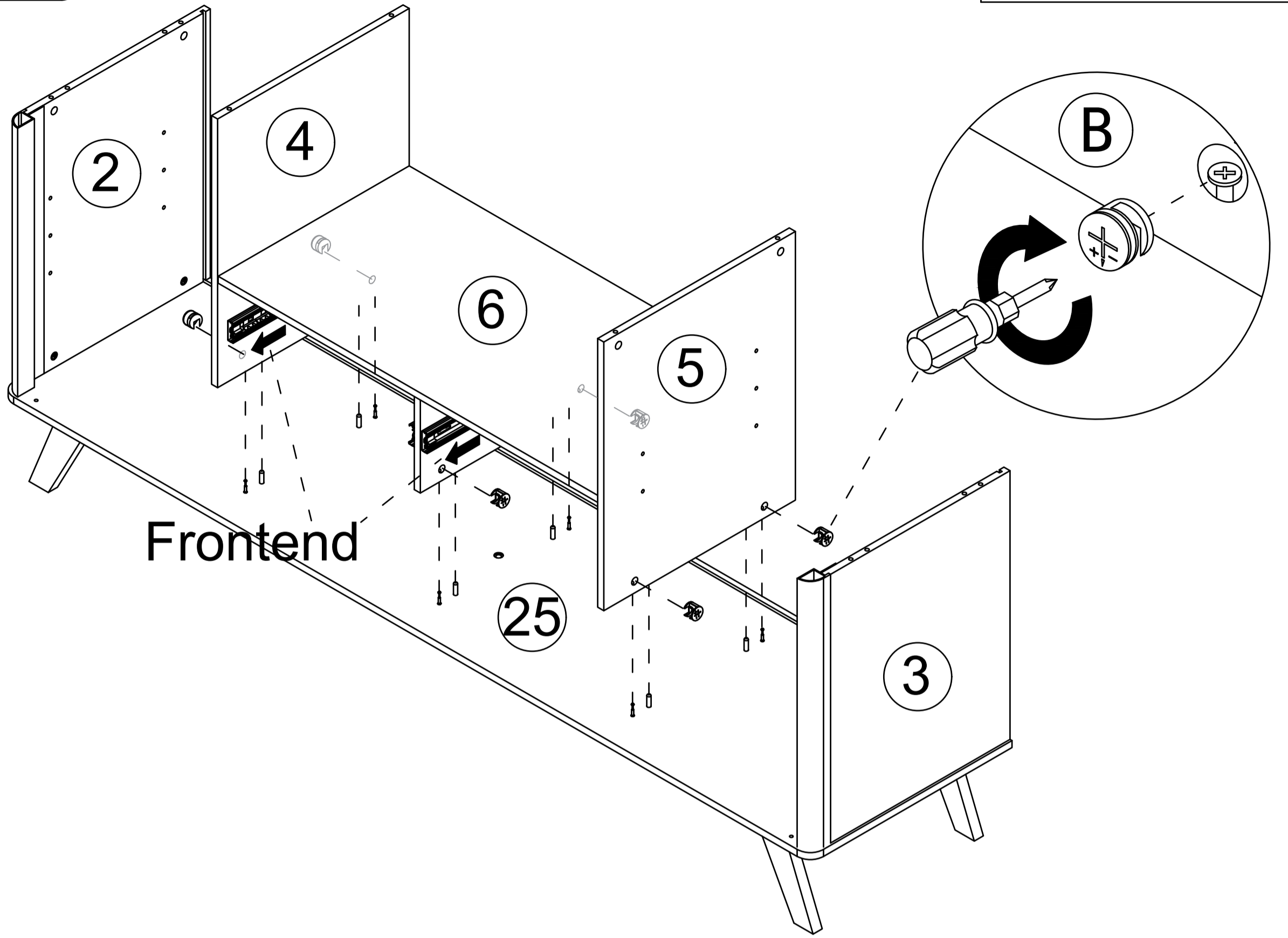
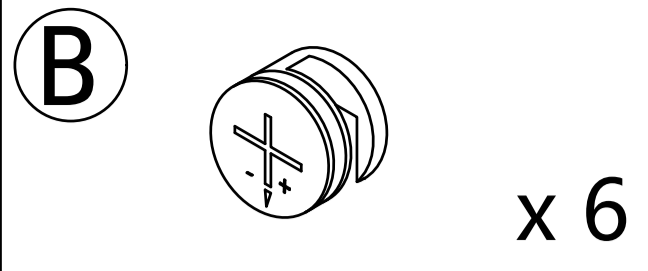
4

7

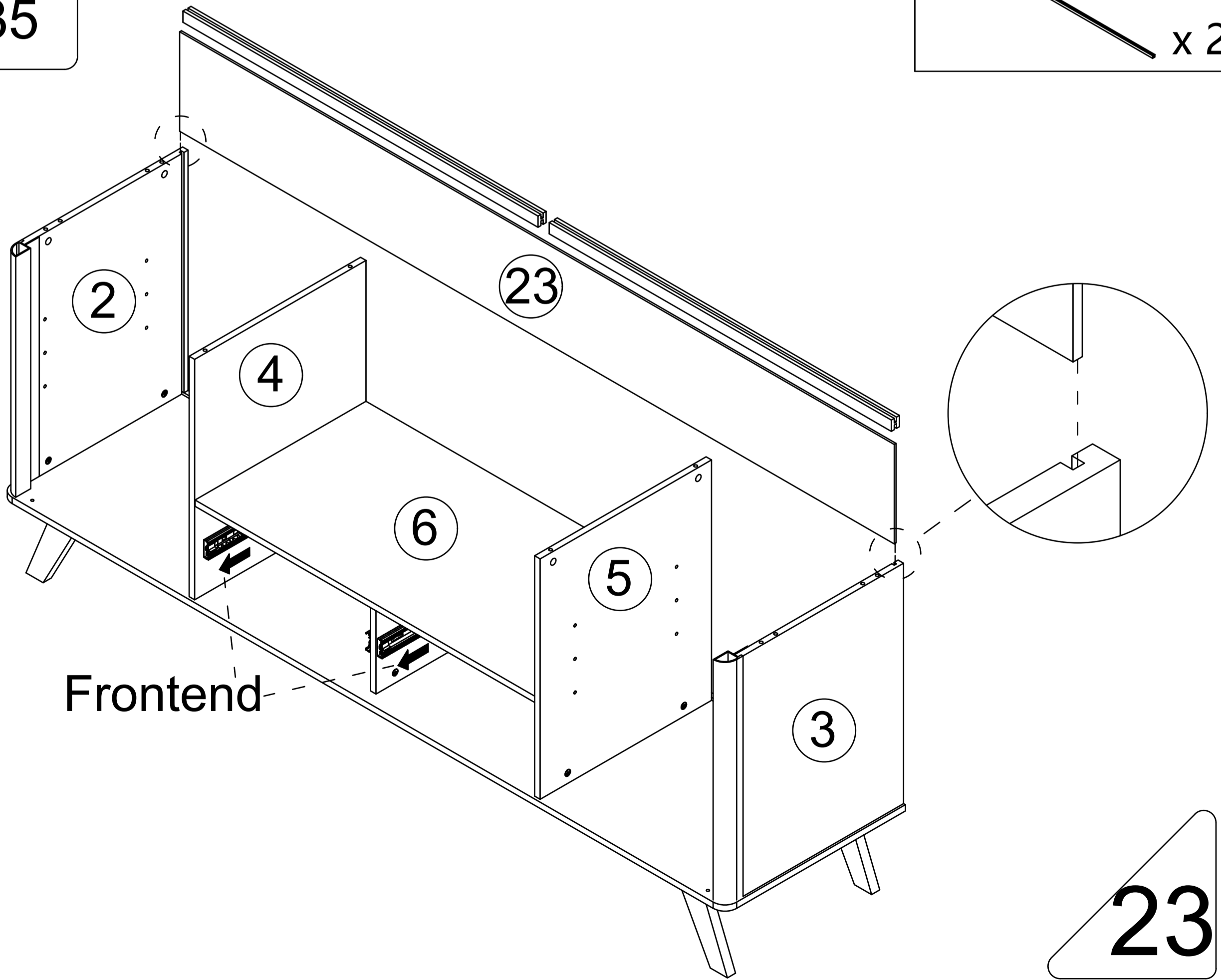
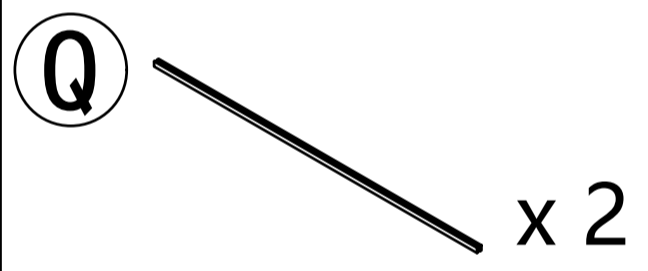
B



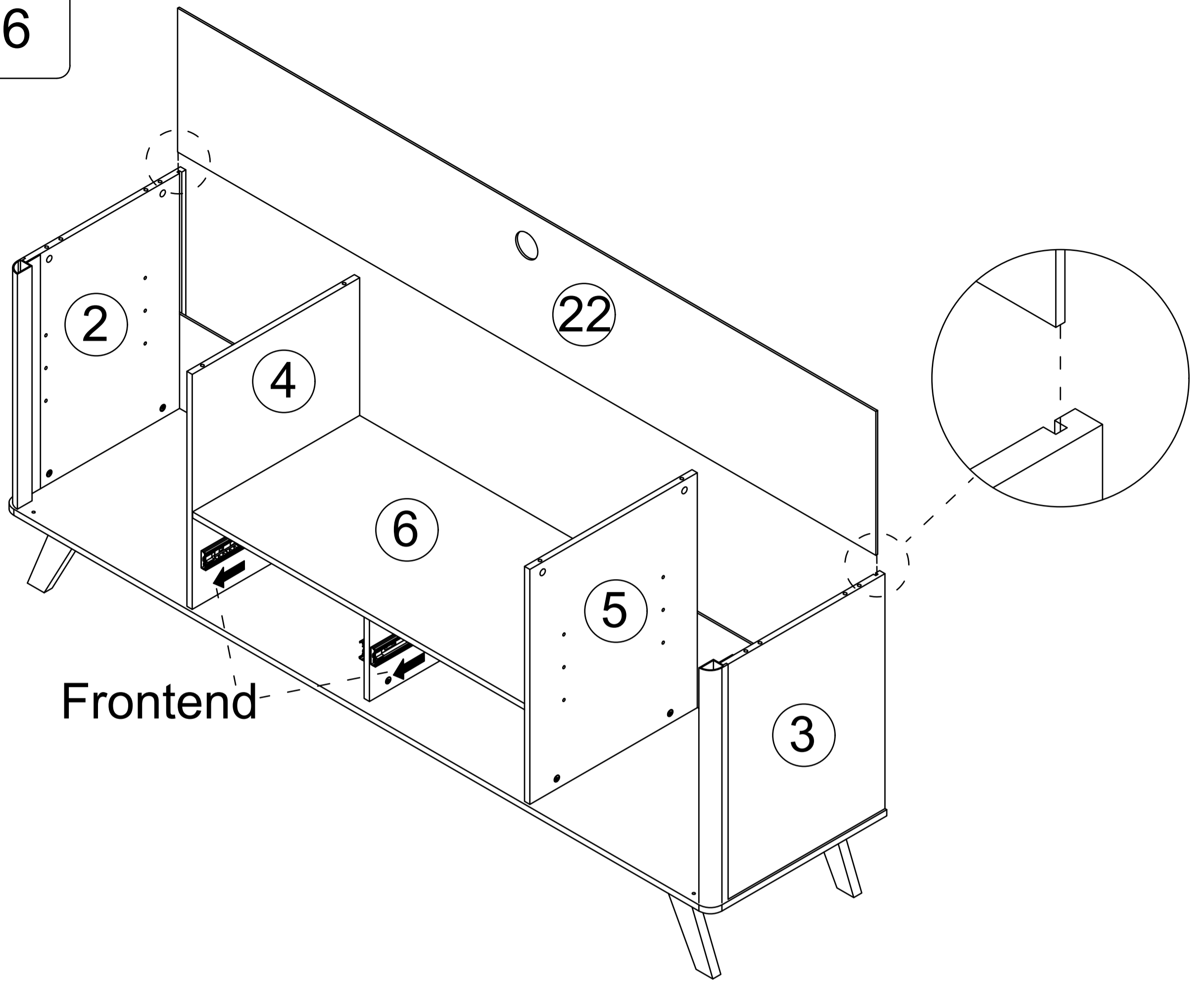
Step 34



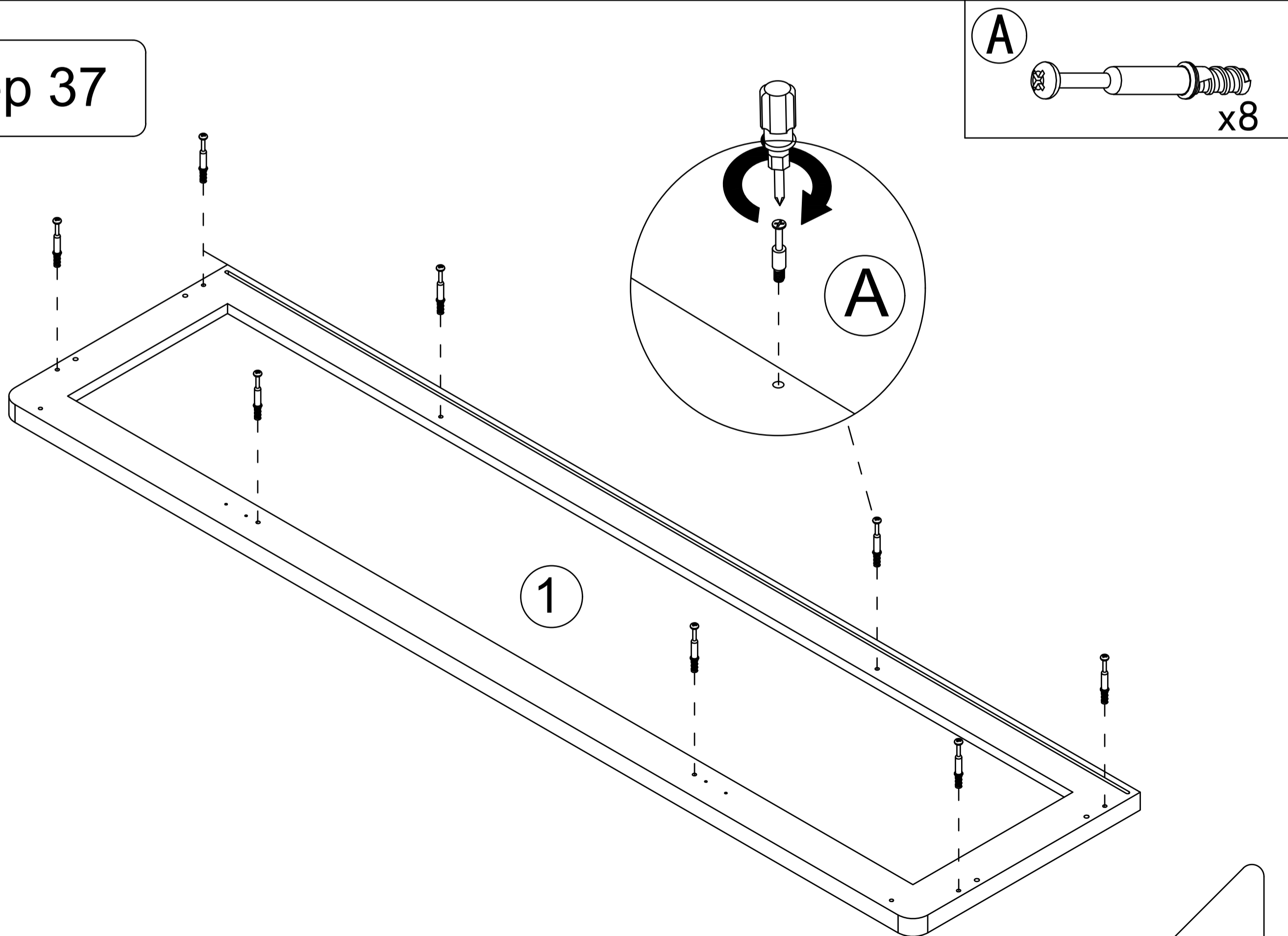
Step 35



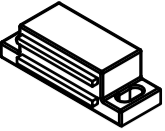
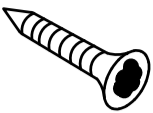
Step 36

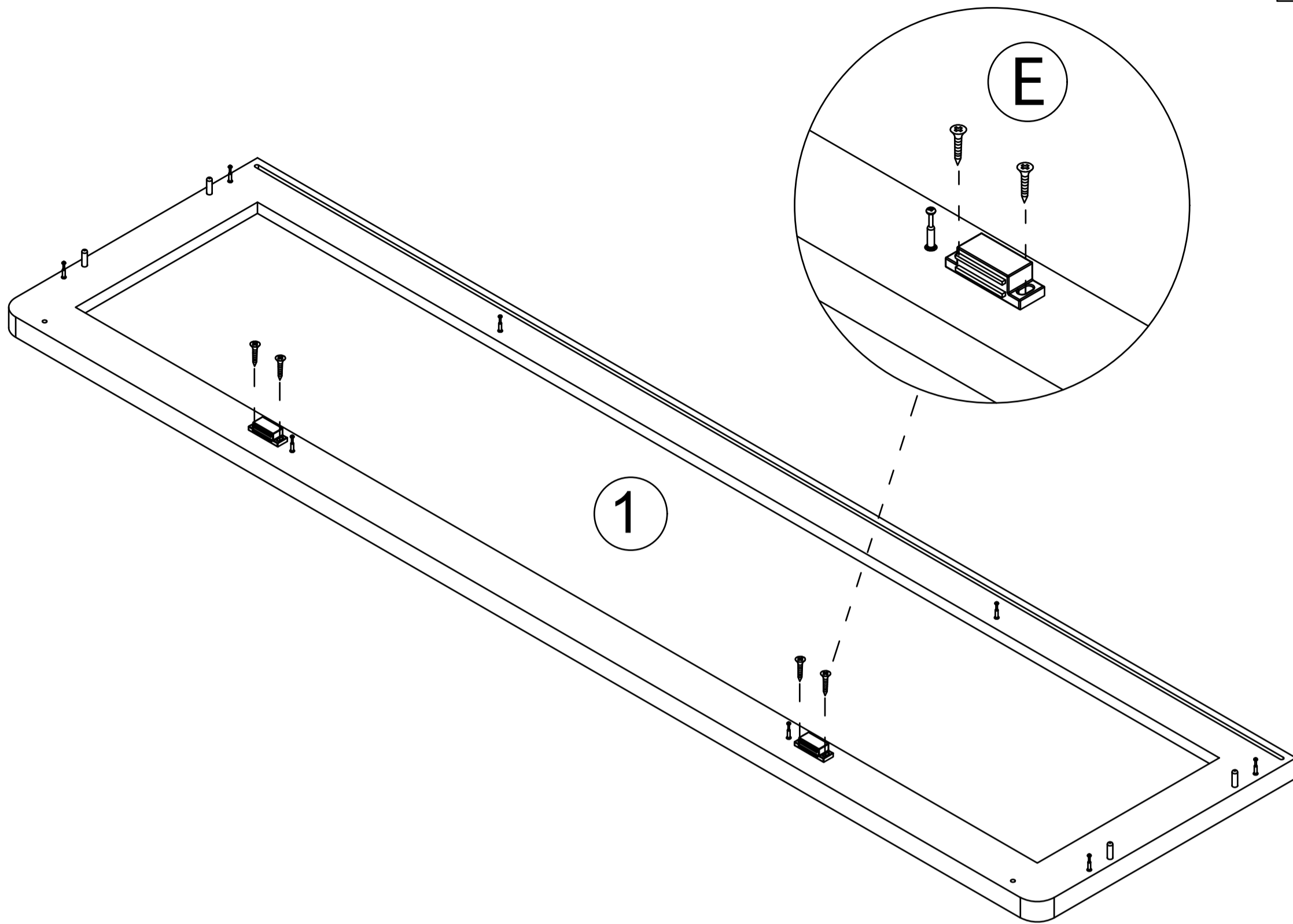


Step 37

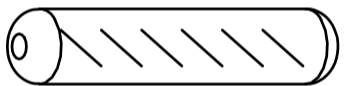


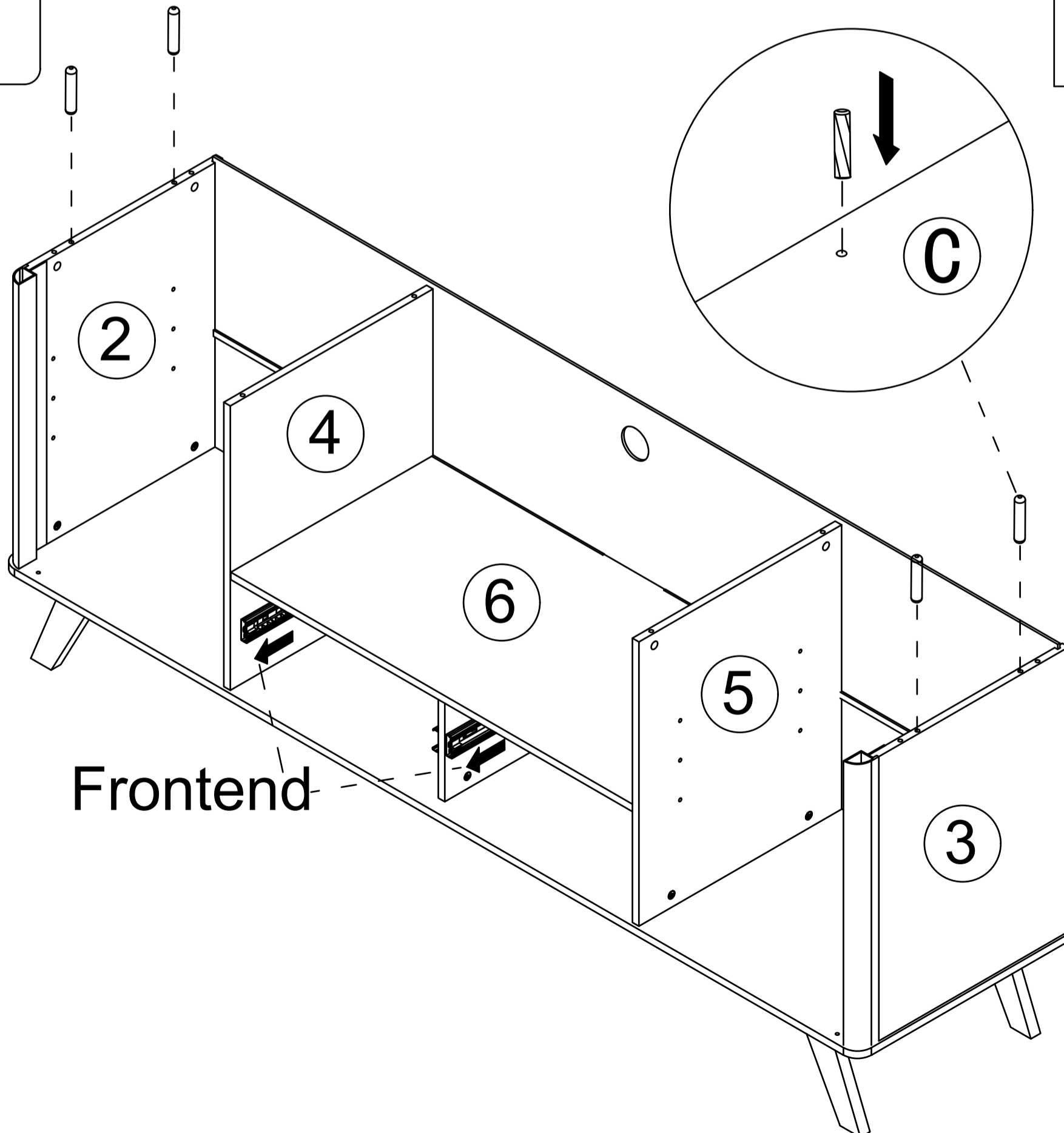
Step 38

E  x2
 x4



Step 39

C  x4

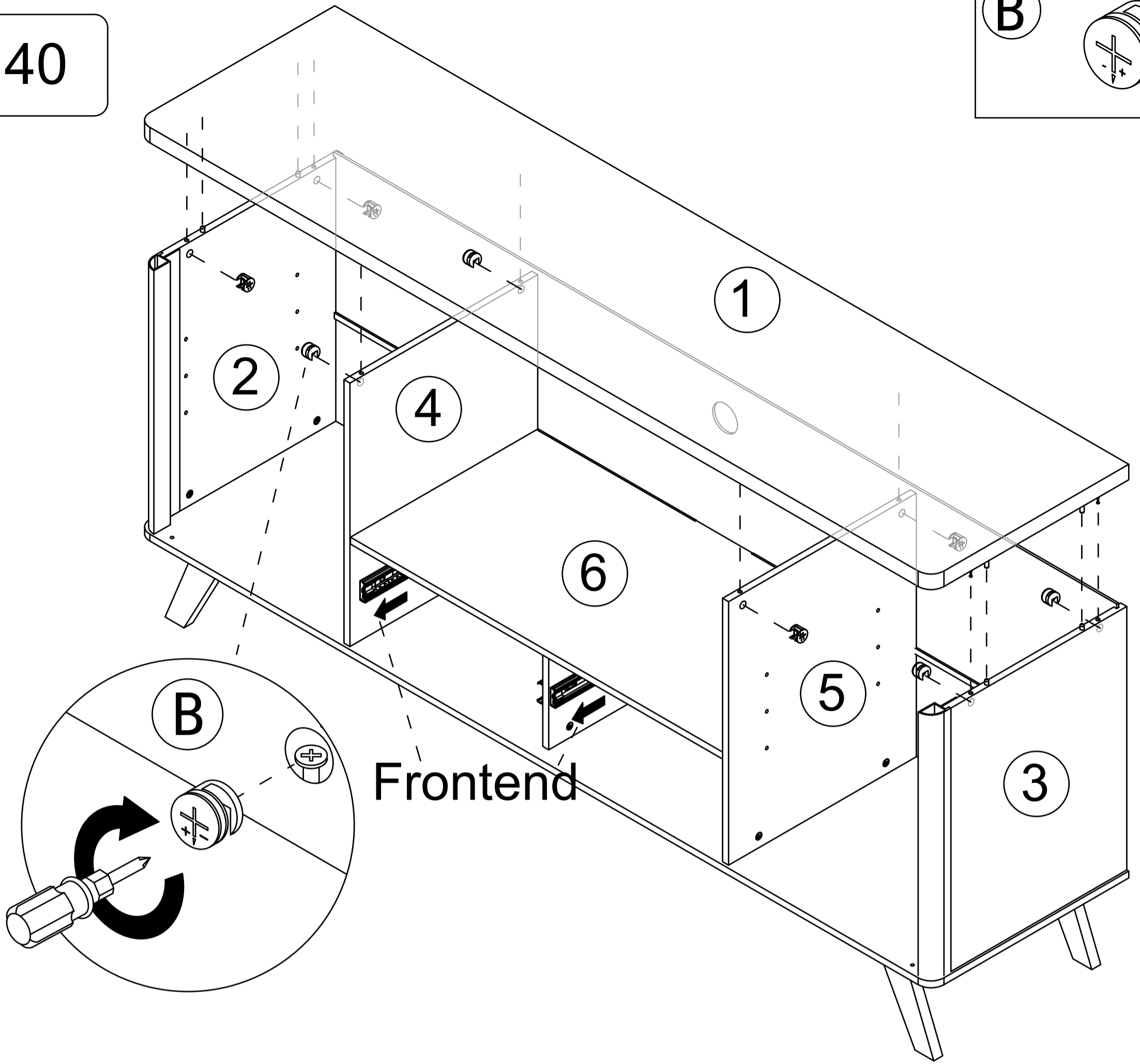


Step 40

B

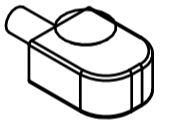


x 8

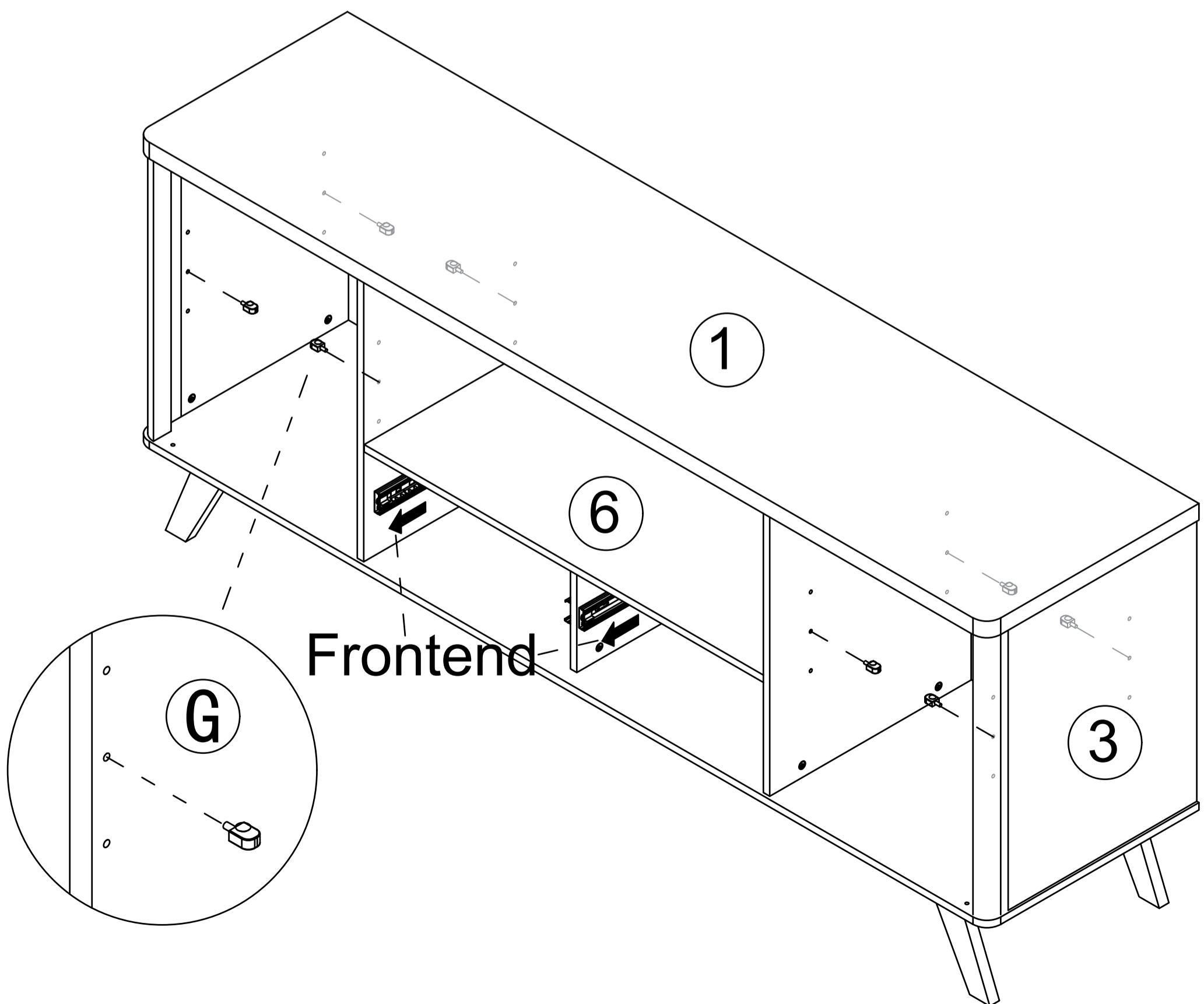


Step 41

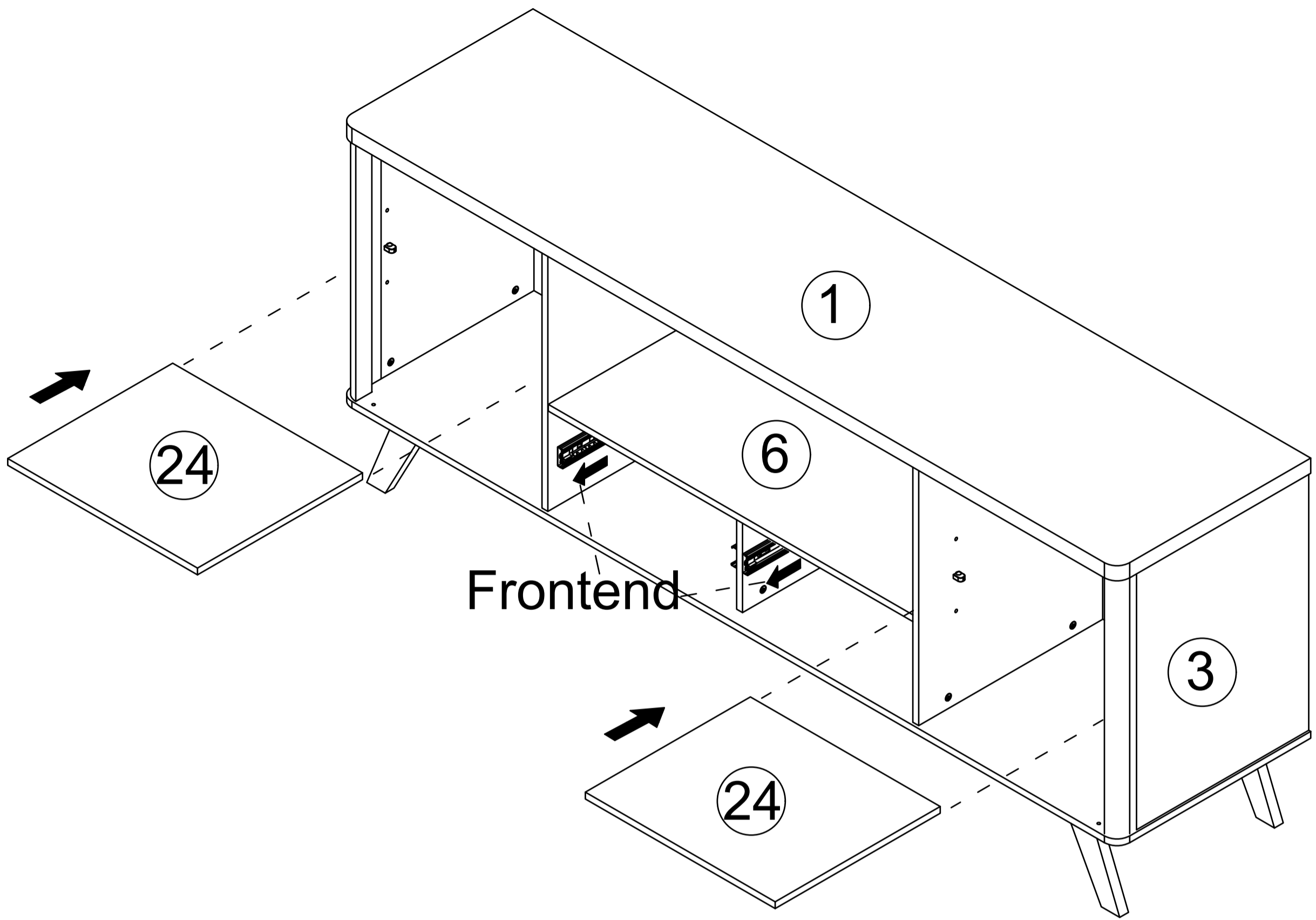
G



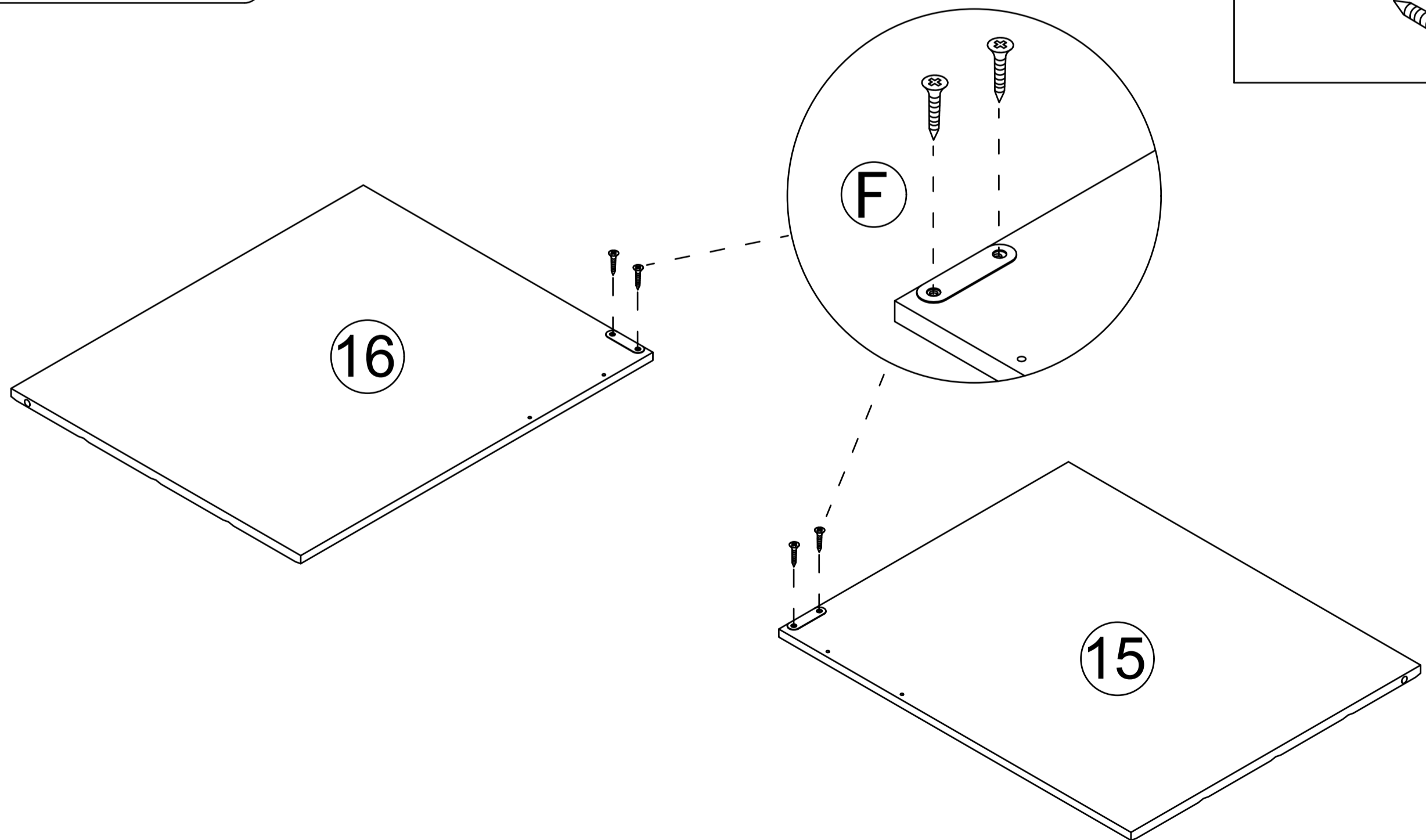
x 8

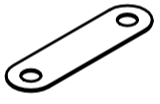



Step 42

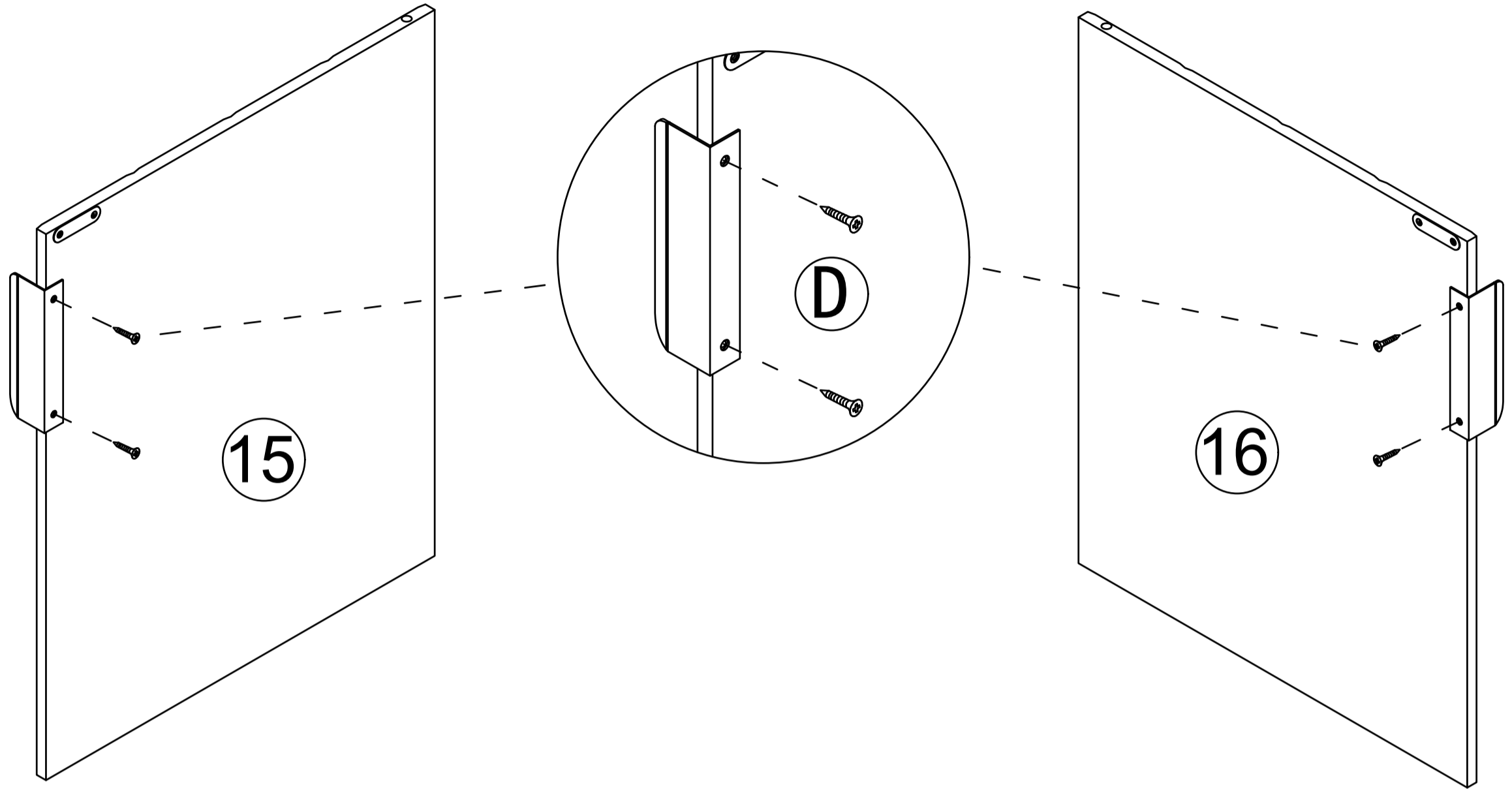
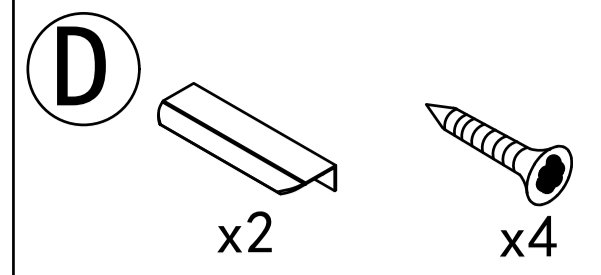


Step 43

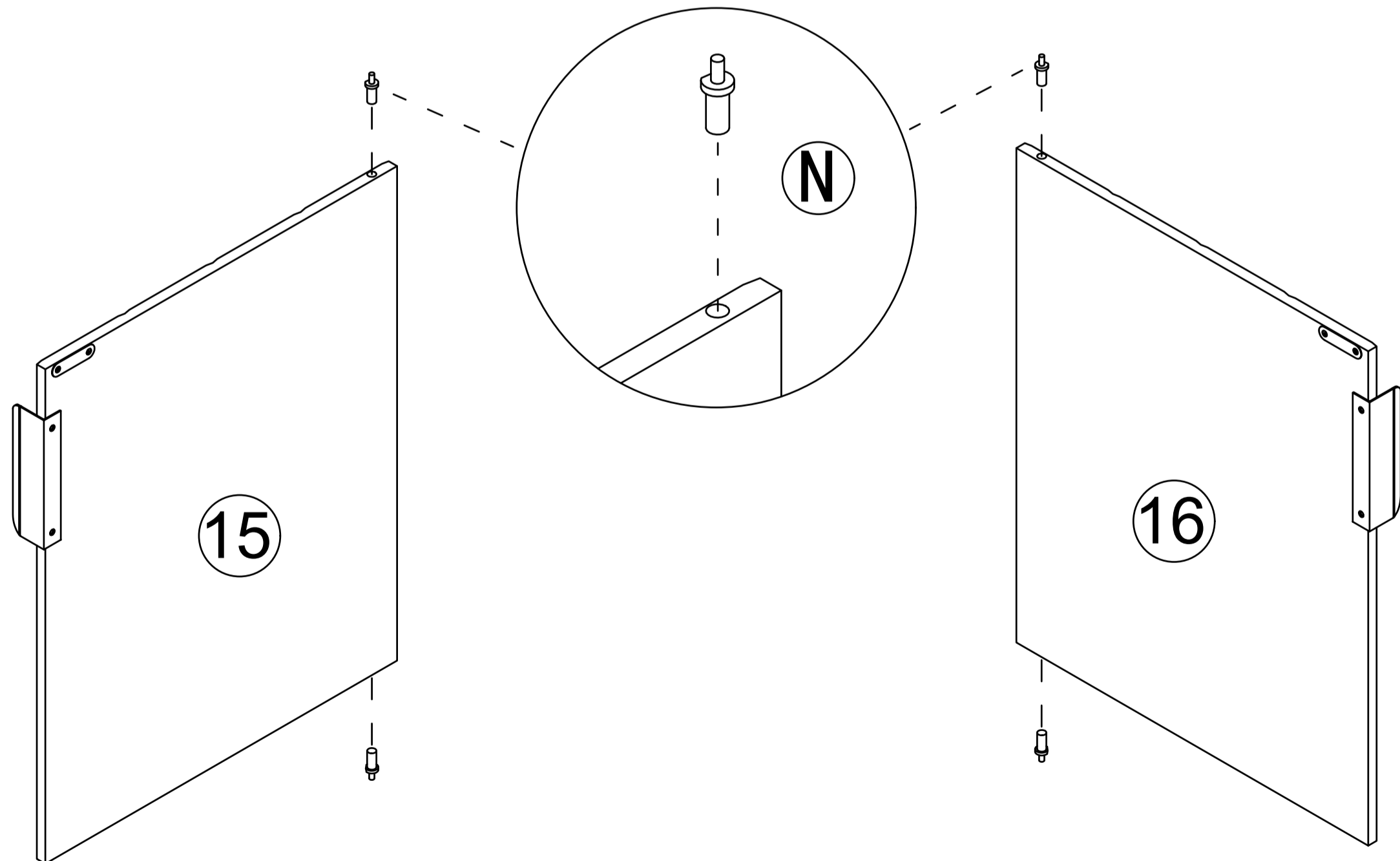
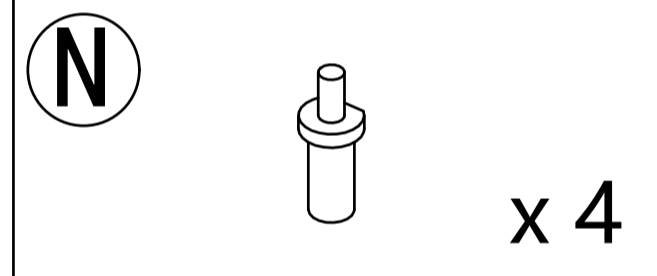


- F  x 2
-  x 4

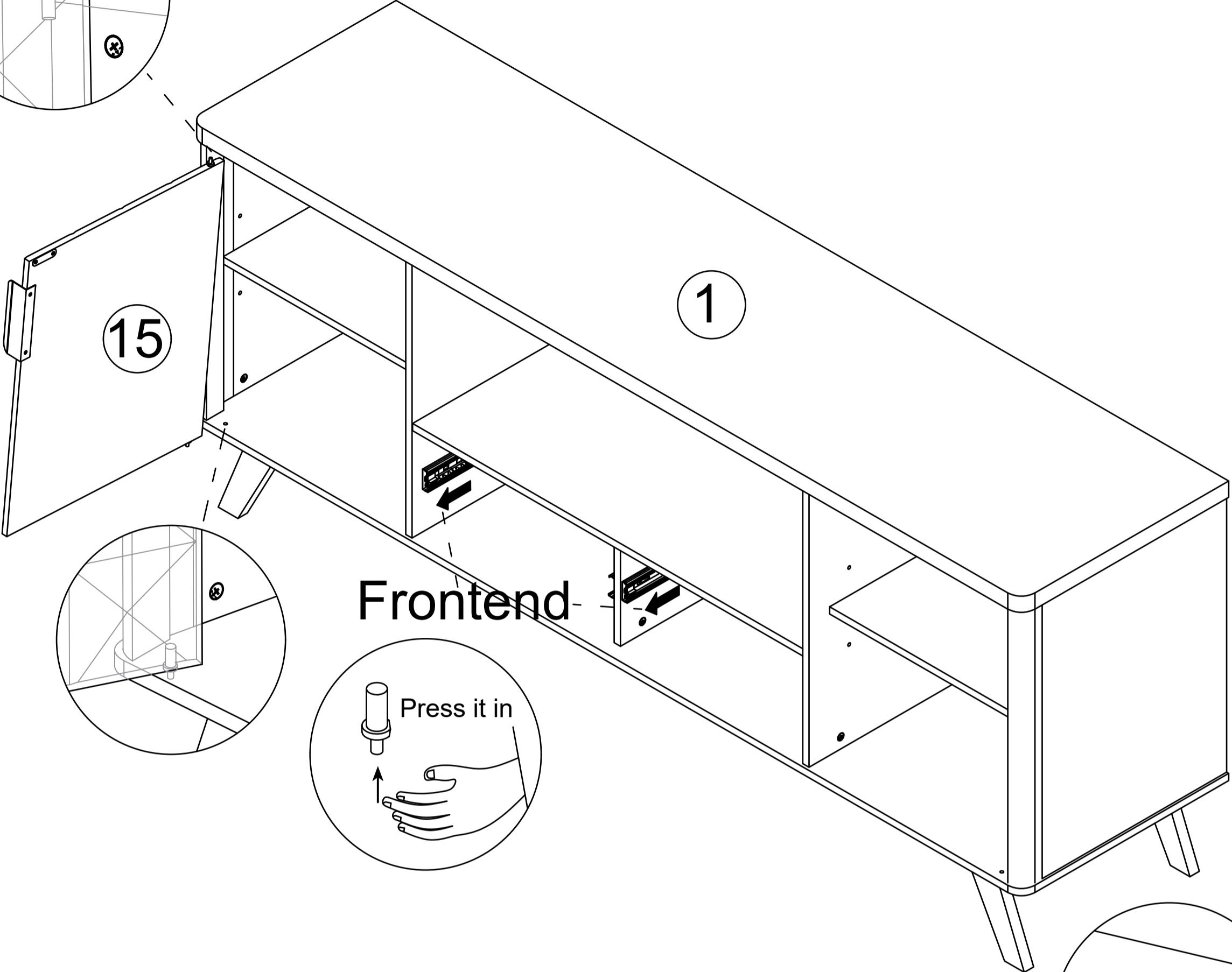
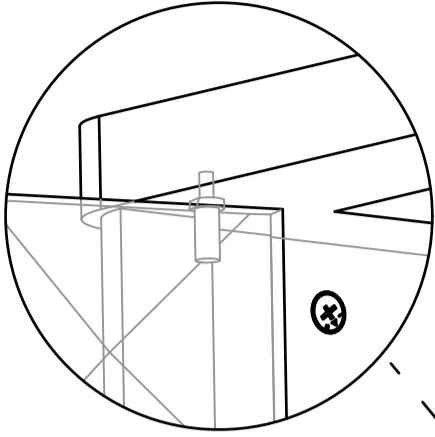
Step 44



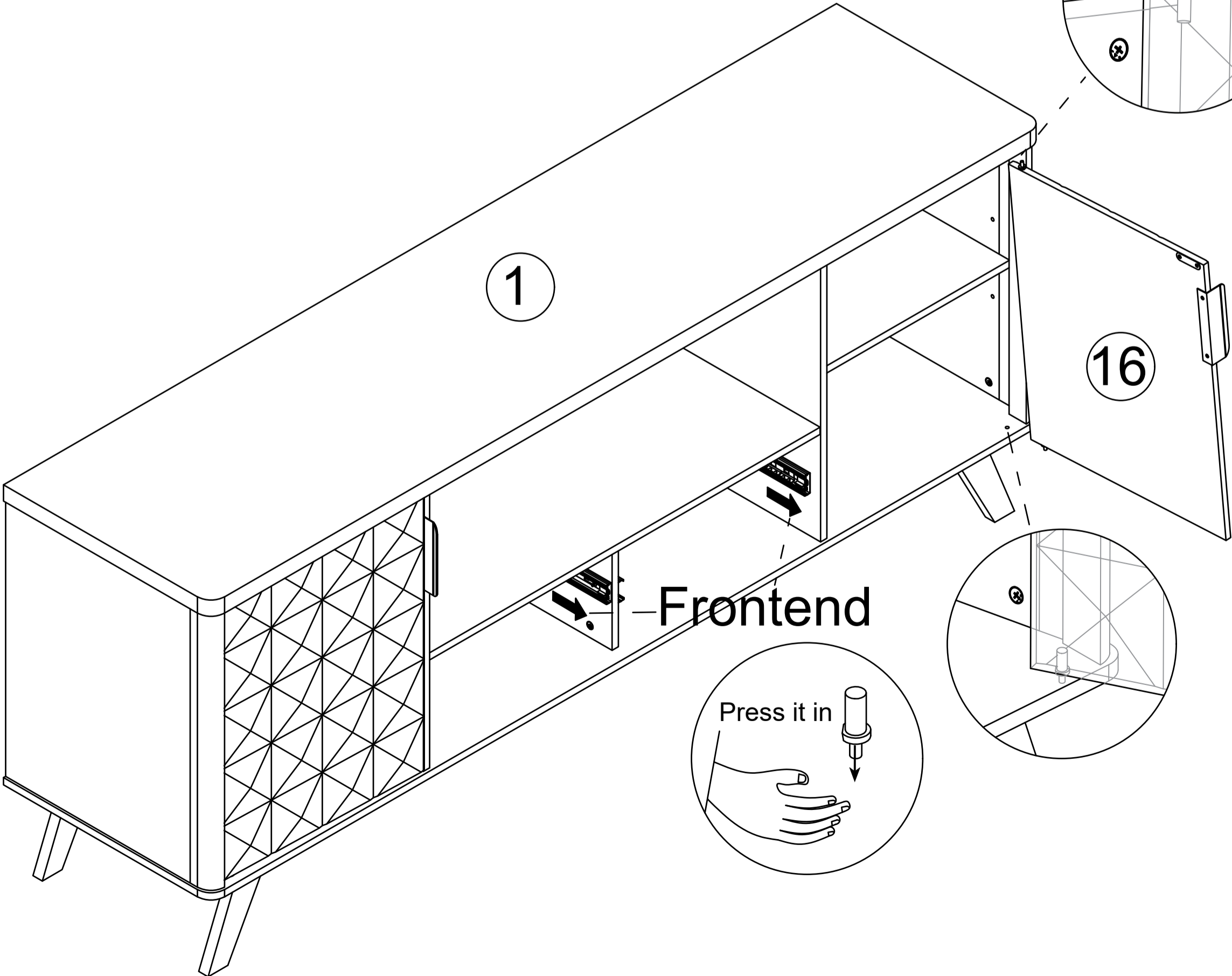
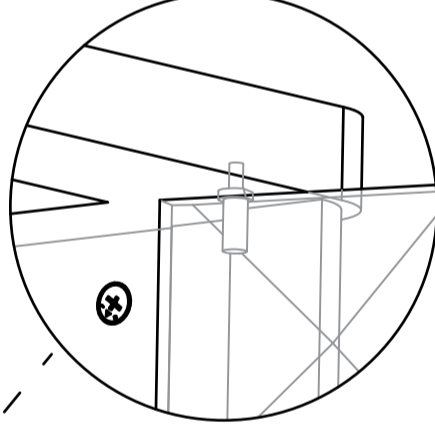
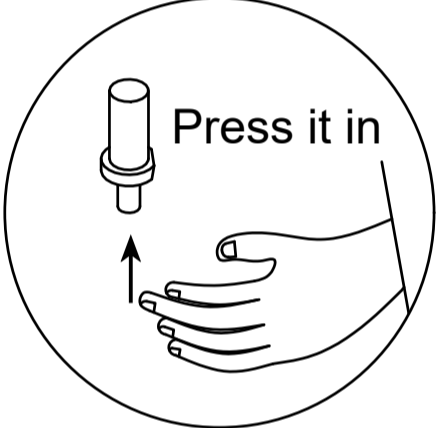
Step 45



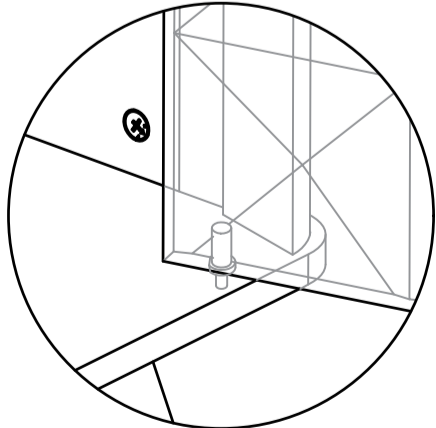
Step 46



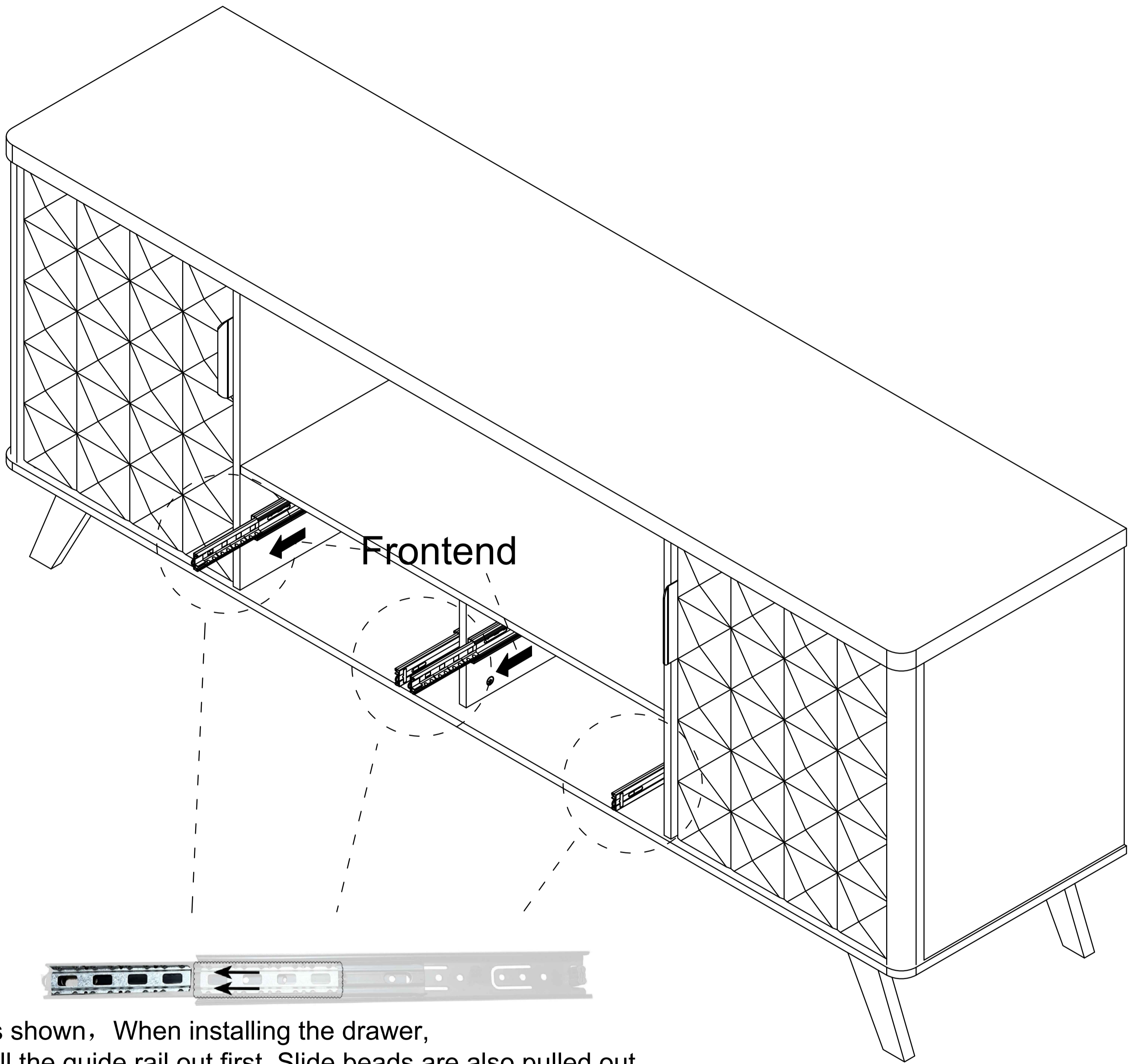
Frontend



Frontend

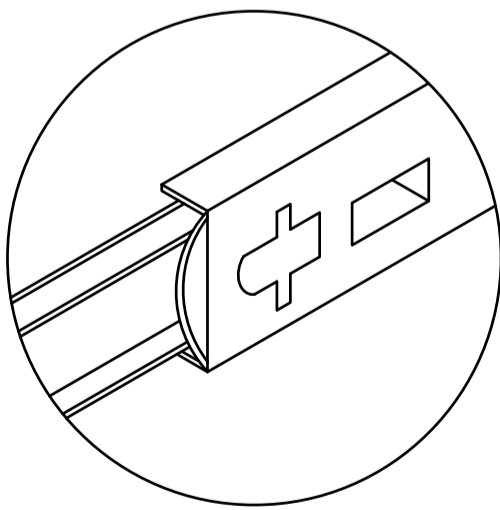
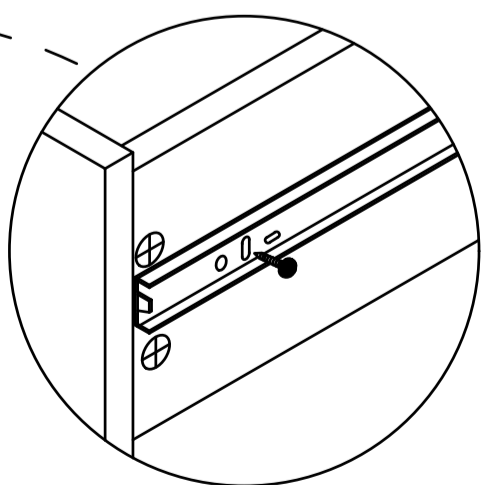
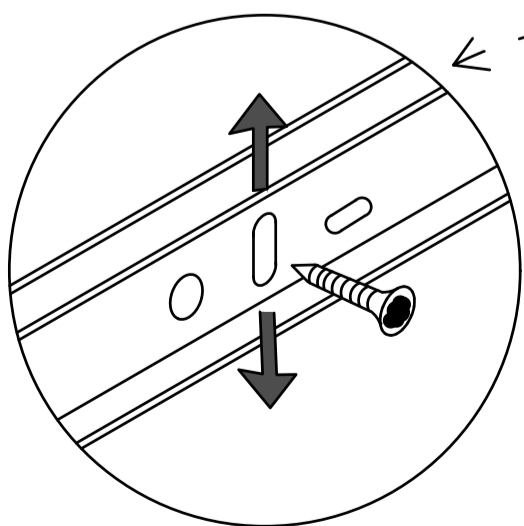
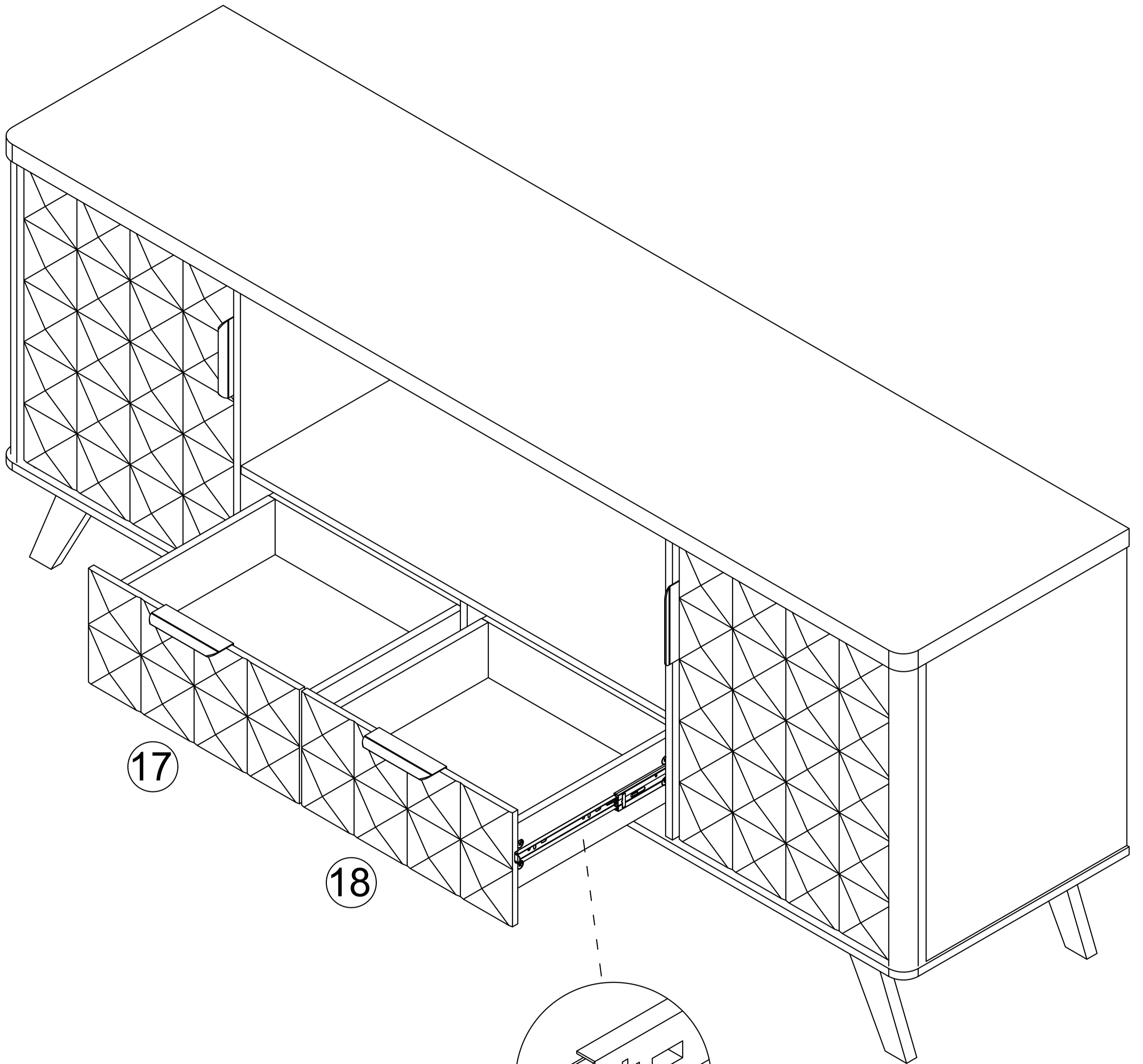


Step 47



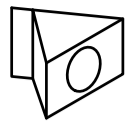
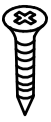
As shown, When installing the drawer, pull the guide rail out first, Slide beads are also pulled out.


Step 48



If a large gap is found after installing the drawer the slide rail can be moved up and down to adjust the gap

Step 49

J   x 16

R  x 1

