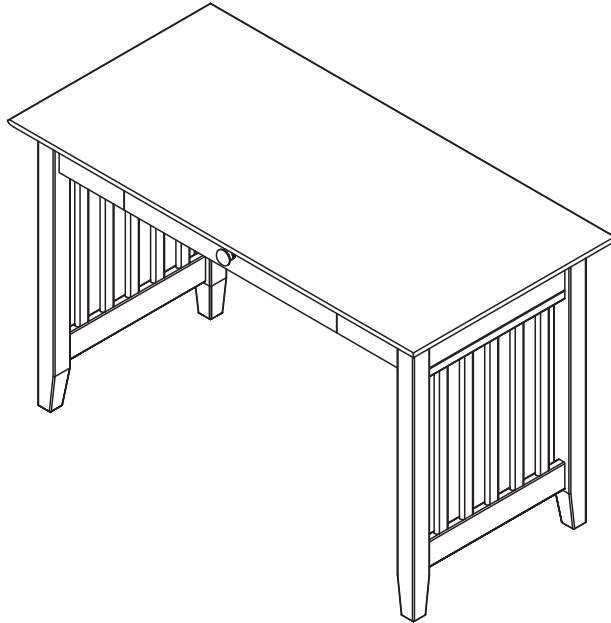


DESK WITH DRAWER

ASSEMBLY INSTRUCTIONS

Before assembling your Desk, please read through these instructions carefully and familiarize yourself with the different parts.

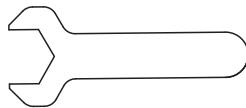


NOTE: WE INCLUDE SPARE HARDWARE IN CASE DAMAGE OCCURS DURING ASSEMBLY.

A Flat washer - 8 pcs
Spare - 2 pcs



B Hexagon nut - 8 pcs
Spare - 2 pcs

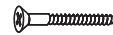


C Hexagon wrench - 1 pc

D Wooden dowel - 4 pcs
Spare - 1 pc



E Wood screw - 4 pcs
Spare - 1 pc

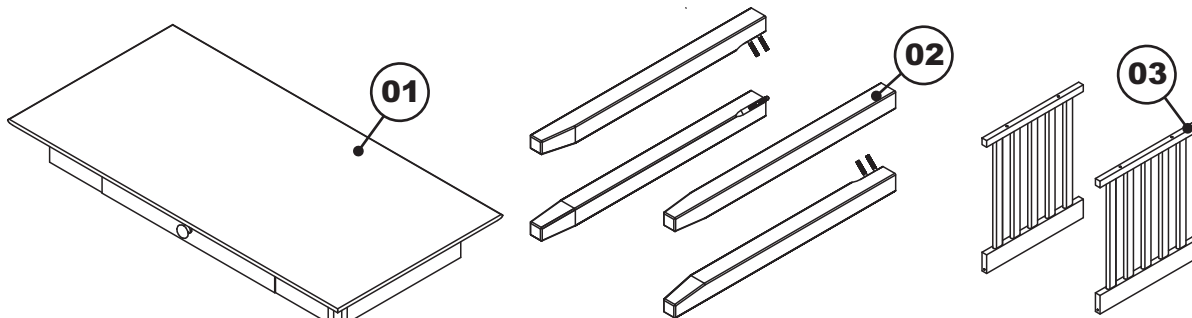


PARTS LIST

01 TOP PANEL WITH DRAWER 1 PC

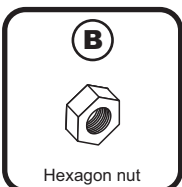
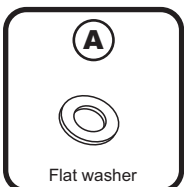
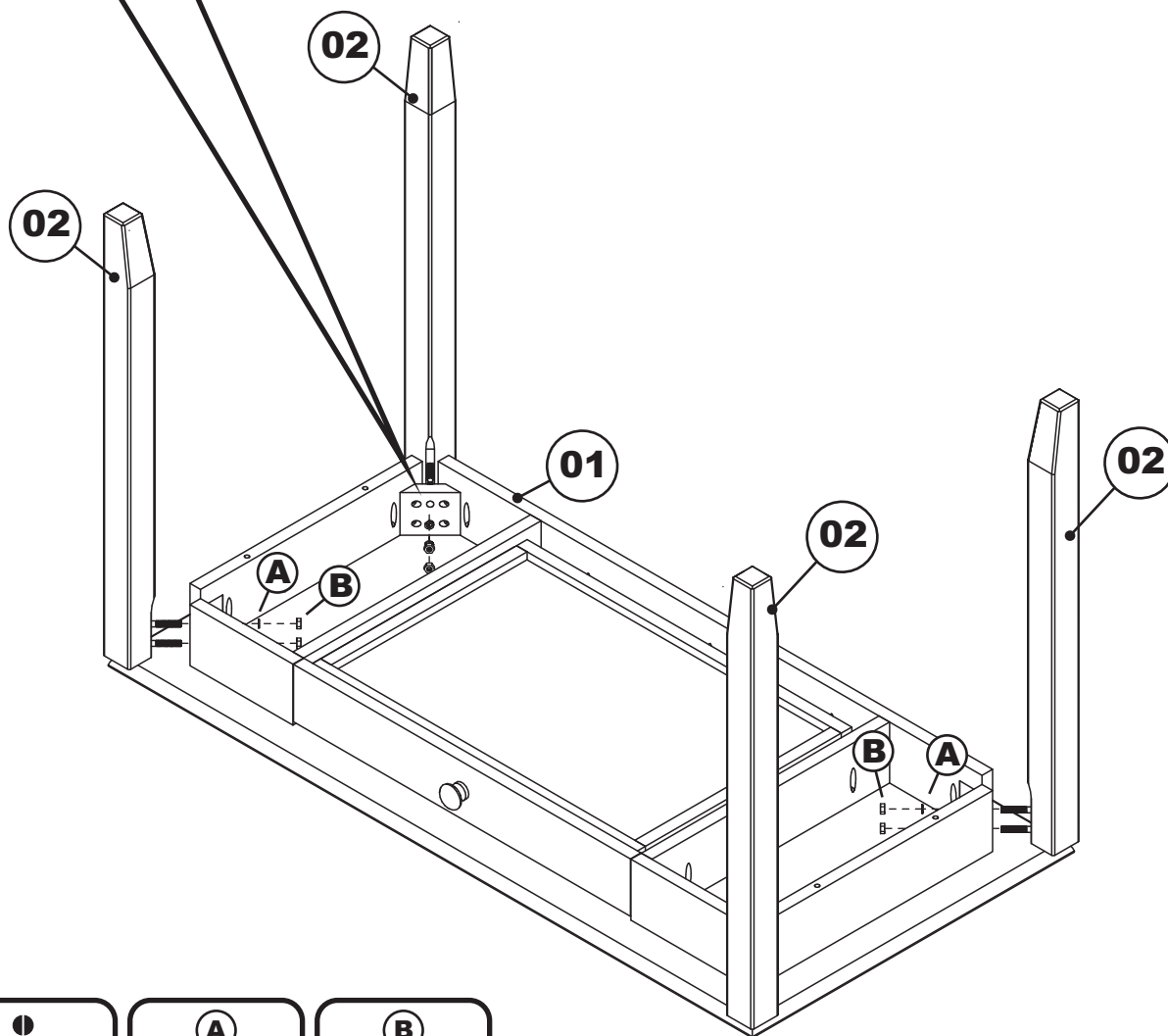
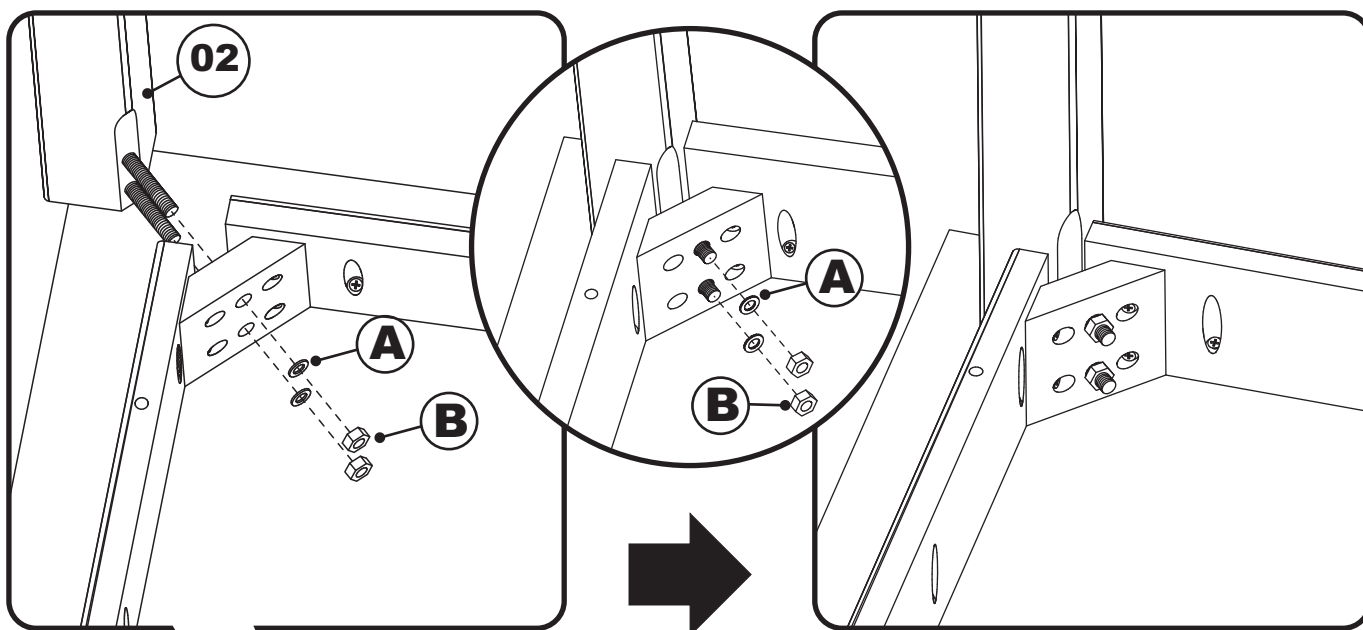
02 LEG 4 PCS

03 SIDE PANEL 2 PCS



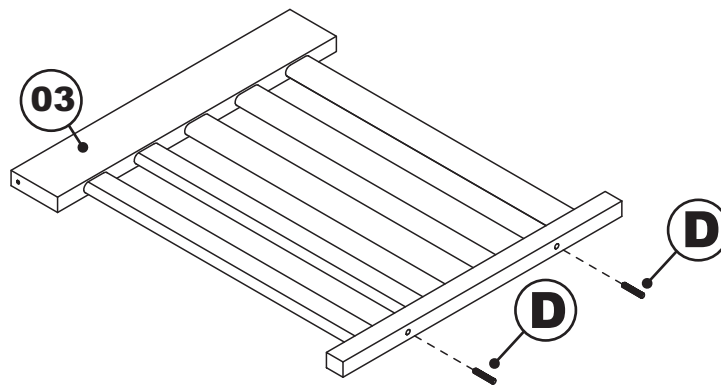
Step 1

Attach the legs (02) to the top panel (01) as shown below using flat washers (A) and hexagon nuts (B), tighten with hexagon wrench (C).

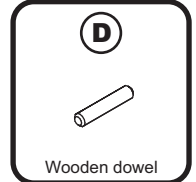


Step 2

Install wooden dowels (D) into the locator holes on (03) as shown below. Repeat with the other panel.



Adult assembly



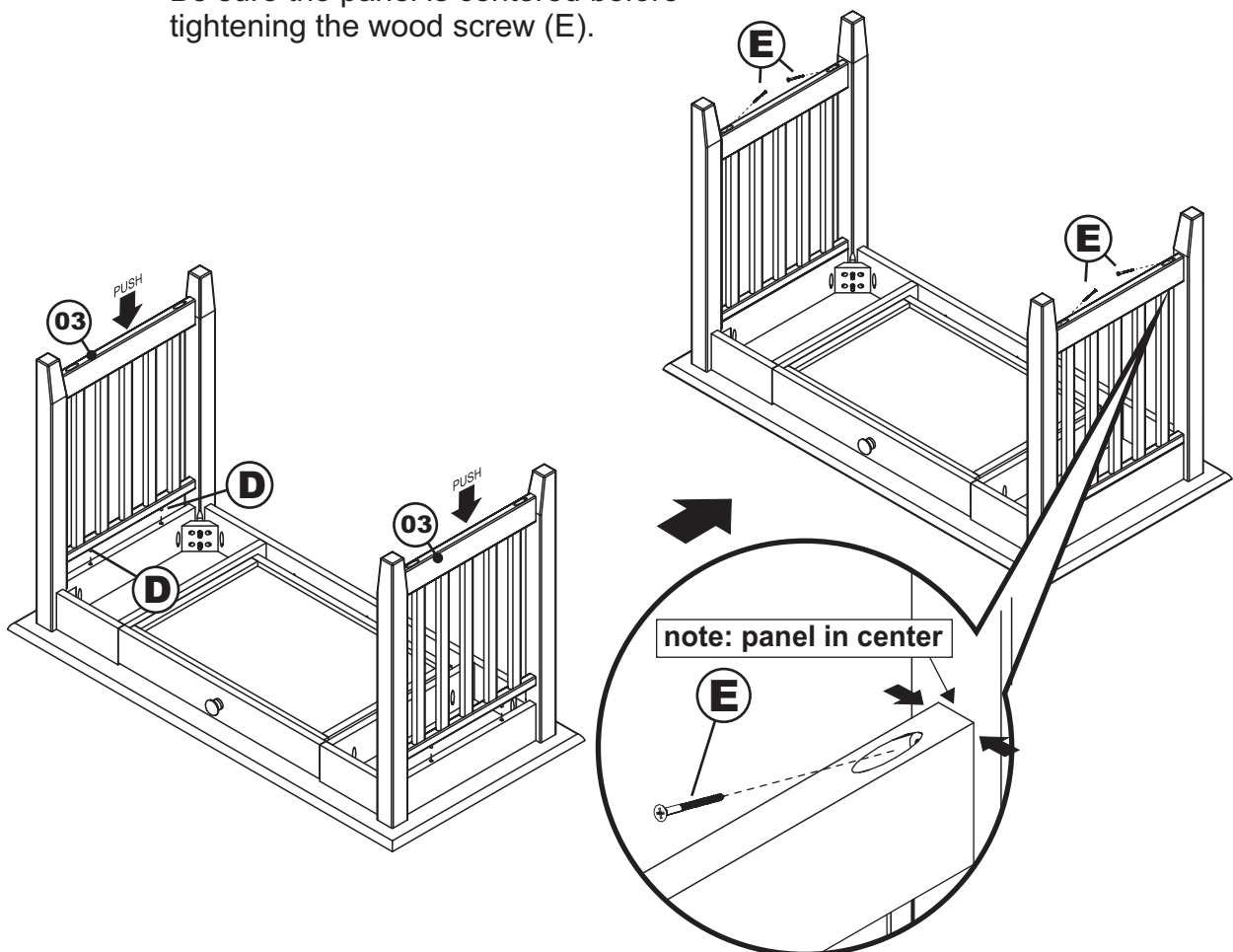
Wooden dowel



Wood screw

Step 3

Attach side panels (03) to desk aligning the dowels (D) with the holes in the apron. Be sure the panel is centered before tightening the wood screw (E).



Congratulations!

Your Desk is now ready for use.

We recommend that you recheck that all screws are tight, and that all parts are secure before use and periodically to ensure lasting Safety.