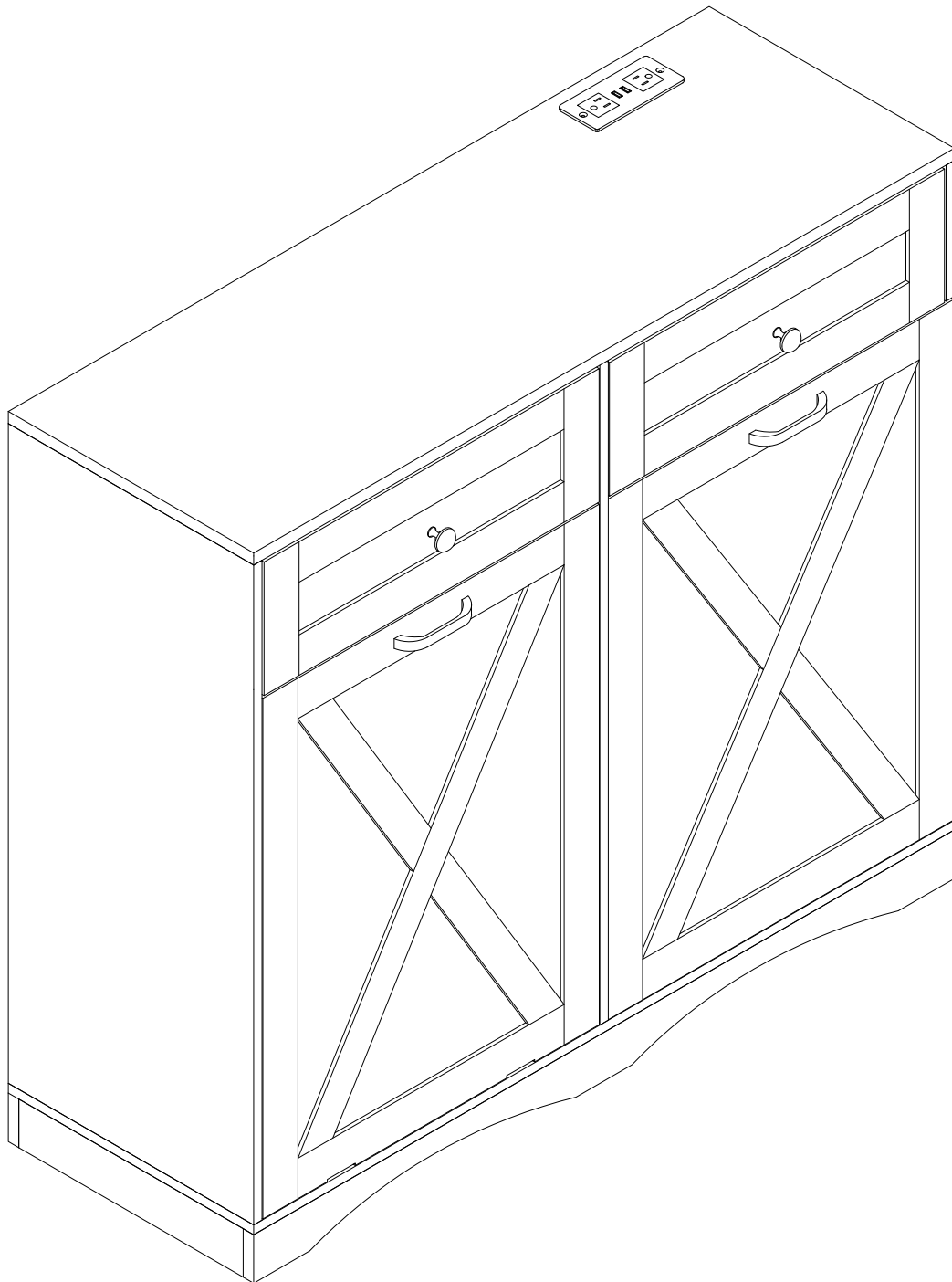
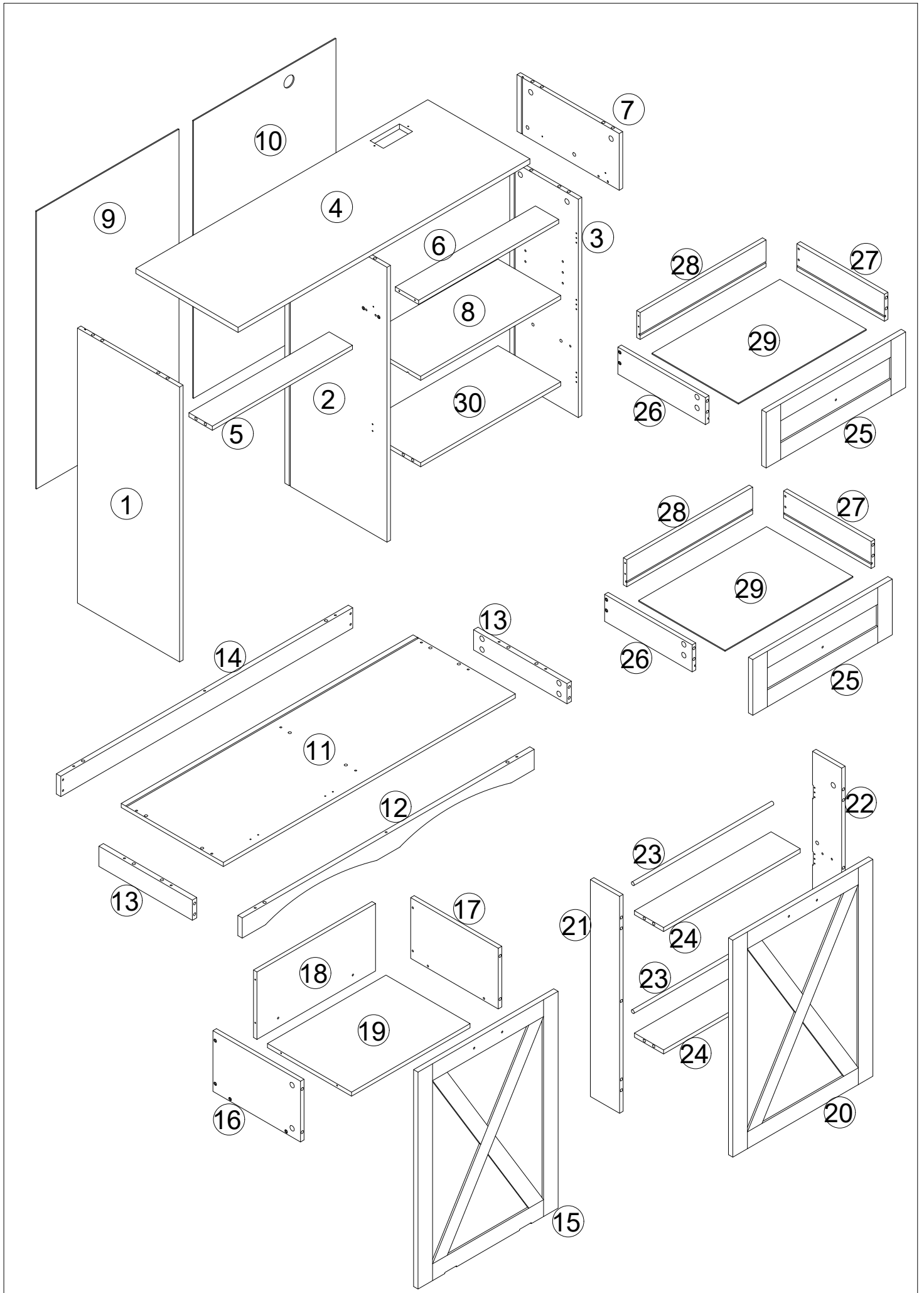
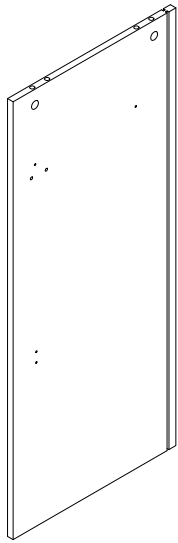


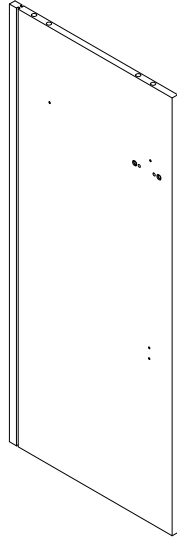
US-IF118-WH-X



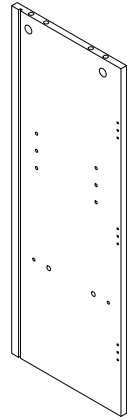




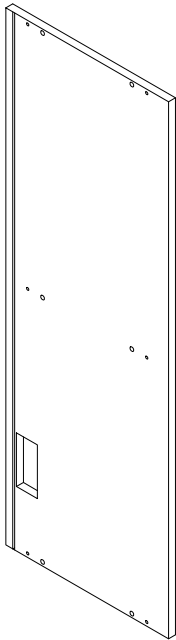
① x 1



② x 1



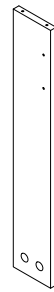
③ x 1



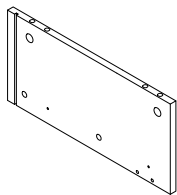
④ x 1



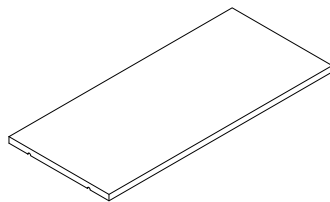
⑤ x 1



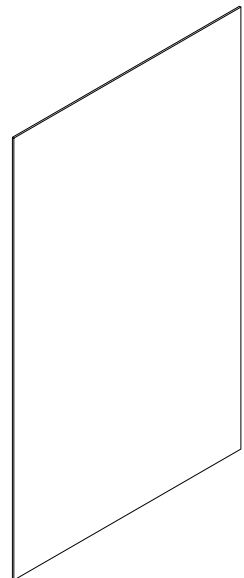
⑥ x 1



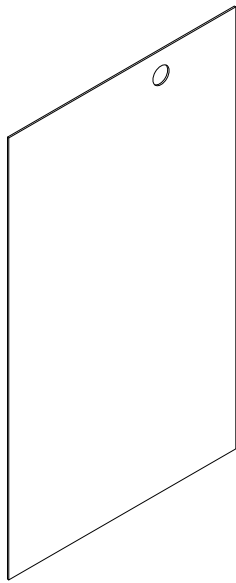
⑦ x 1



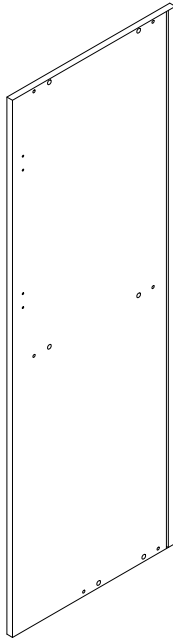
⑧ x 1



⑨ x 1



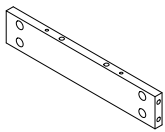
⑩ x 1



⑪ x 1



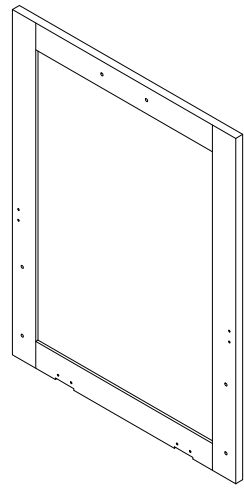
⑫ x 1



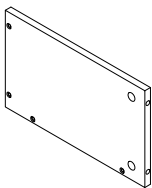
⑬ x 2



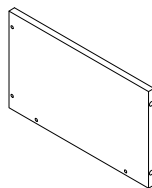
⑭ x 1



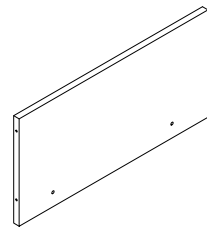
⑮ x 1



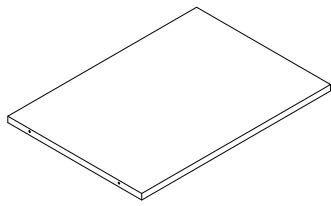
⑯ x 1



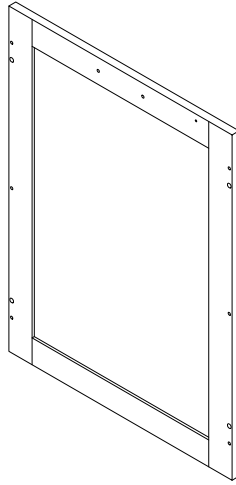
⑰ x 1



⑱ x 1



19 x 1



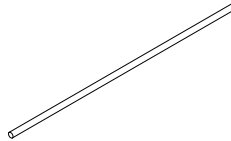
20 x 1



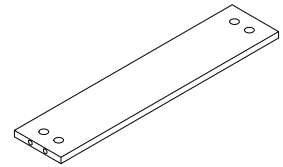
21 x 1



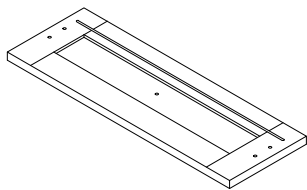
22 x 1



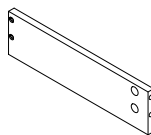
23 x 2



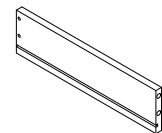
24 x 2



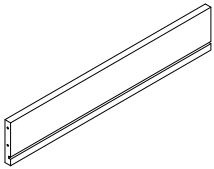
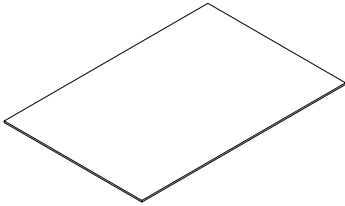
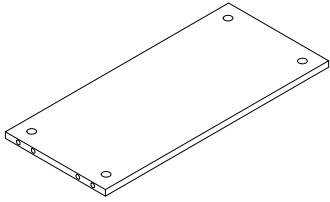
25 x 2

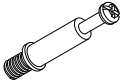
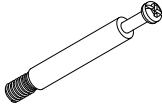

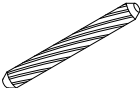






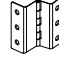
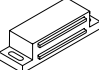






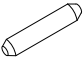
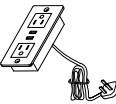





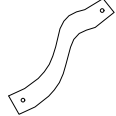

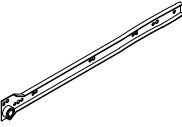
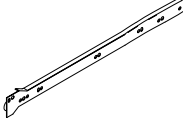
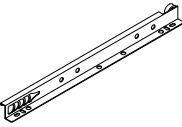
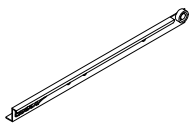


26 x 2

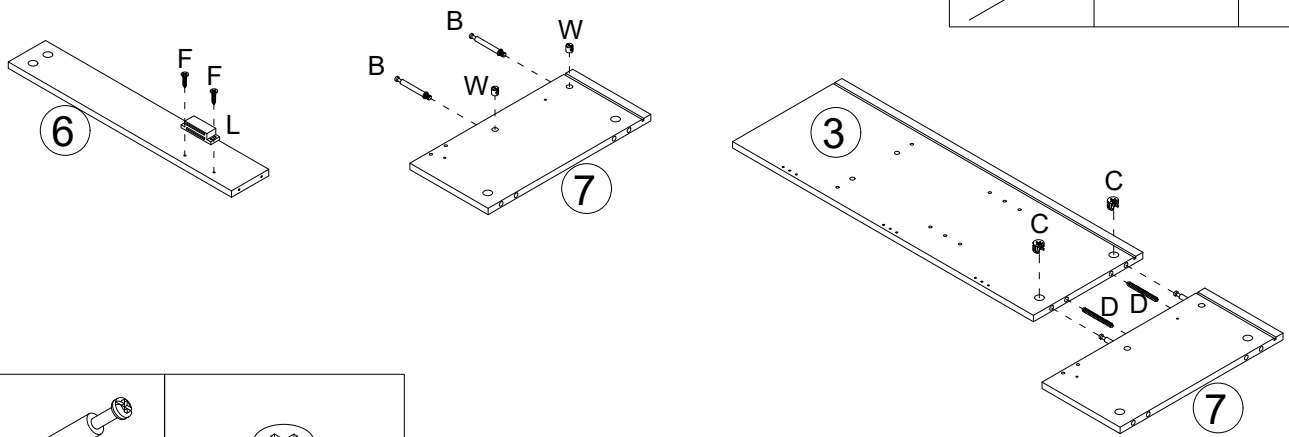
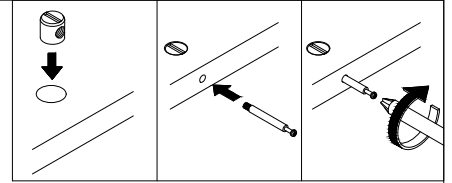


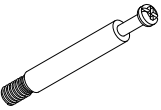
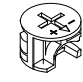
27 x 2

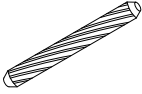
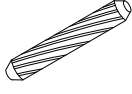
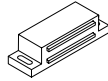


| | | |
|---|--|---|
|  |  |  |
| 28 x 2 | 29 x 2 | 30 x 1 |

| | | | | | |
|---|---|---|--|---|---|
|  |  |  |  |  |  |
| φ6x35mm A x 50 | φ6x60mm B x 2 | φ15x9.5mm C x 52 | φ6x50mm D x 2 | φ6x30mm E x 30 | M3x14mm F x 19 |
|  |  |  |  |  |  |
| M3.5x12mm G x 52 | M4x35mm H x 27 | M4x45mm I x 10 | J x 2 | K x 3 | L x 1 |
|  |  |  |  |  |  |
| M x 1 | N x 2 | O x 2 | M4x8mm P x 2 | M4x18mm Q x 4 | R x 16 |
|  |  |  |  |  |  |
| φ5x25mm S x 4 | T x 1 | U x 1 | V x 1 | φ6x10mm W x 2 | M4x14mm X x 1 |
|  |  |  |  |  |  |
| φ6x30mm Y x 1 | Z x 1 | a x 2 | CL x 2 | CR x 2 | DL x 2 |
|  | | | | | |
| DR x 2 | | | | | |

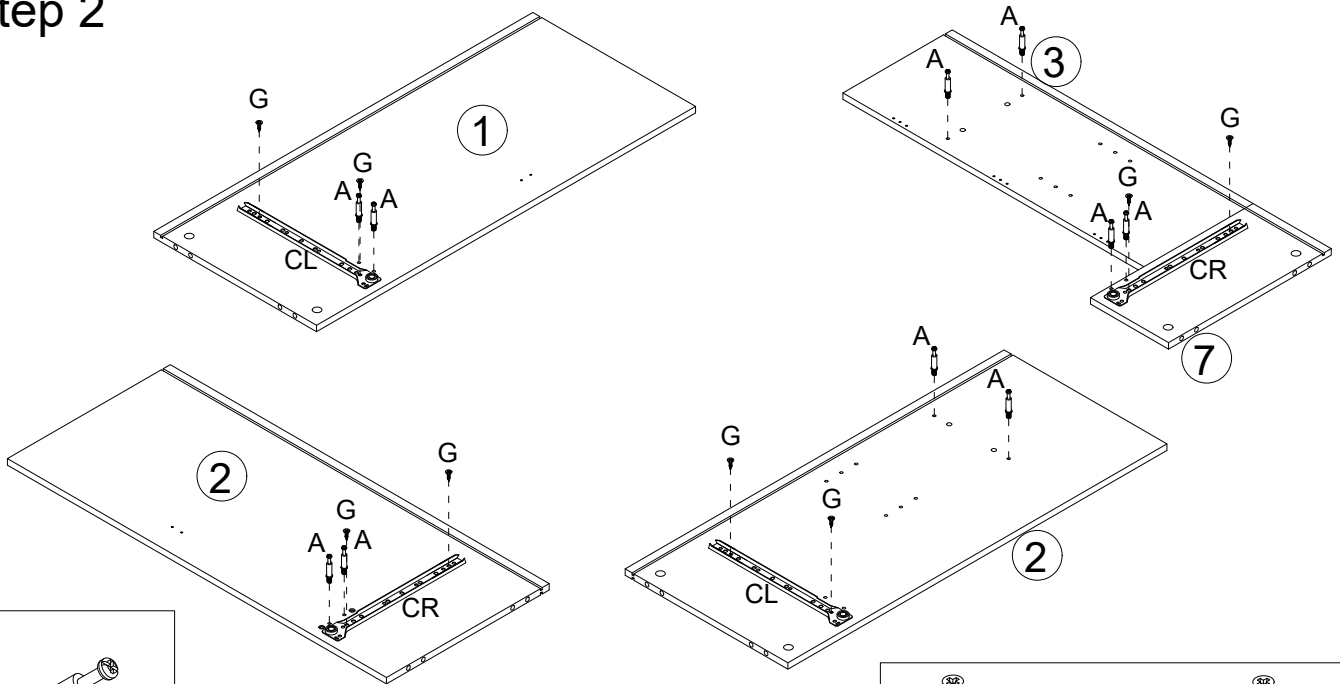
Step 1

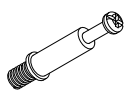



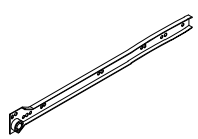
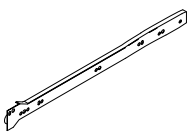
| | |
|---|---|
|  |  |
| $\phi 6 \times 60 \text{mm}$ | $\phi 15 \times 9.5 \text{mm}$ |
| B x 2 | C x 2 |

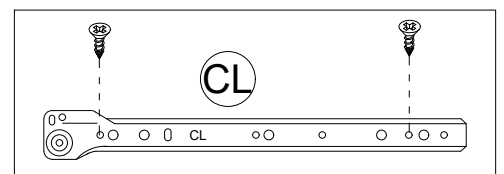
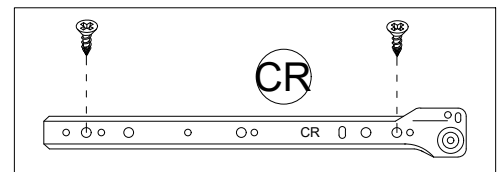
| | | | | |
|---|---|---|---|---|
|  |  |  |  |  |
| $\phi 6 \times 50 \text{mm}$ | $\phi 6 \times 30 \text{mm}$ | L x 1 | M3 x 14mm | $\phi 6 \times 10 \text{mm}$ |
| D x 2 | E x 2 | | F x 2 | W x 2 |

Step 2

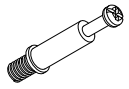
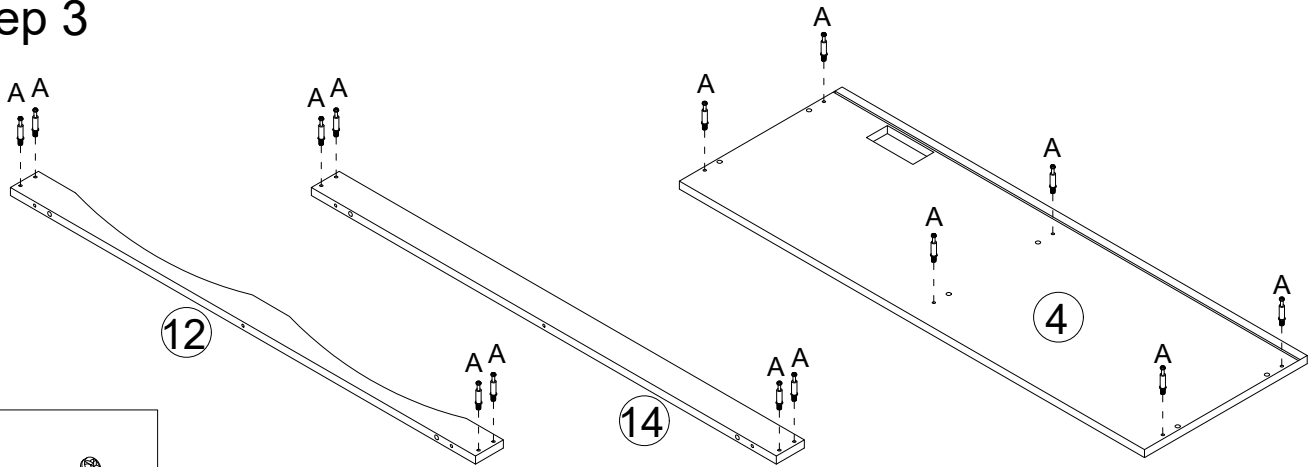


| |
|---|
|  |
| $\phi 6 \times 35 \text{mm}$ |
| A x 10 |

| | | |
|---|---|---|
|  |  |  |
| M3.5 x 12mm | | |
| G x 8 | CL x 2 | CR x 2 |

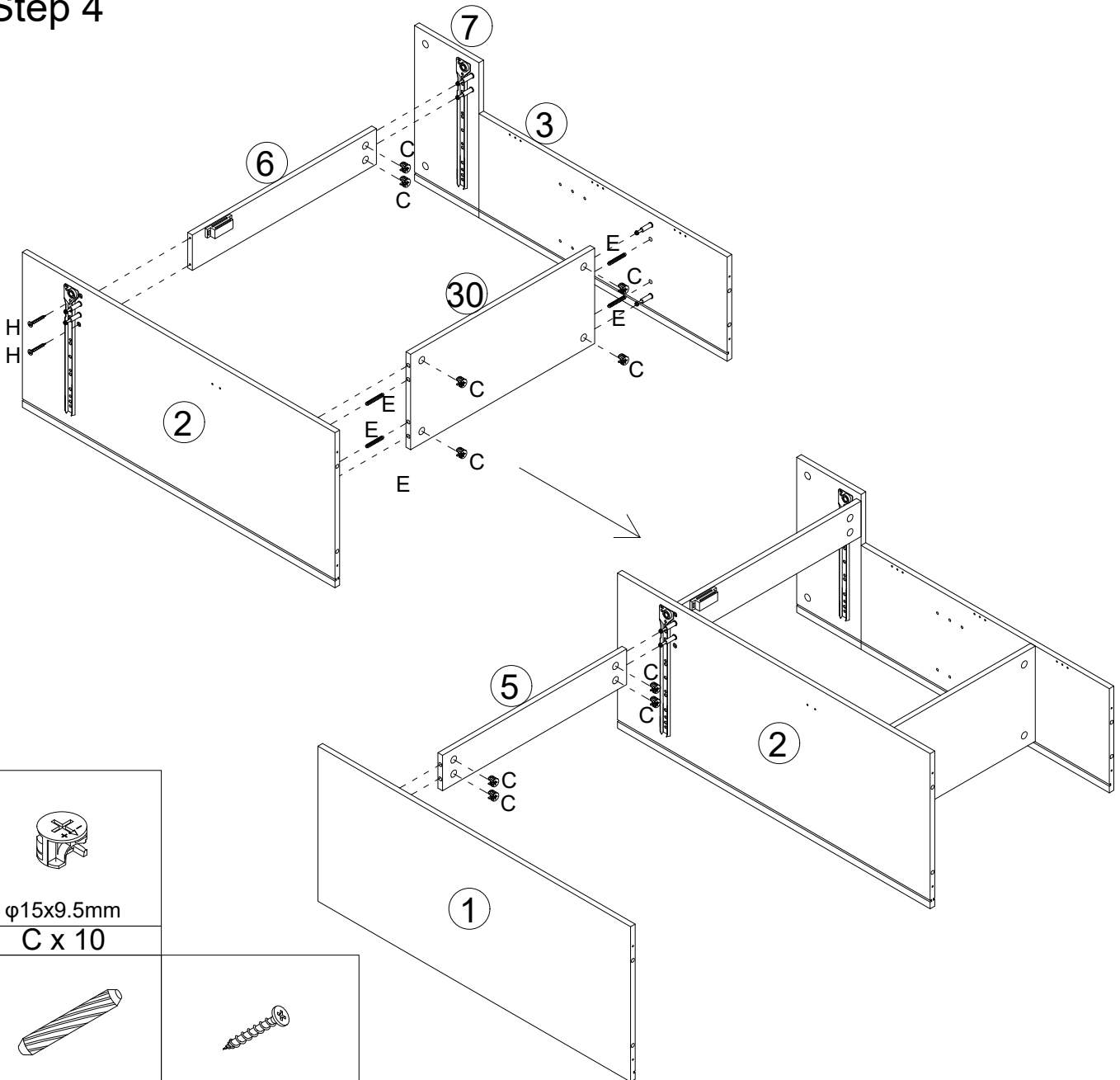


Step 3



φ6x35mm
A x 14

Step 4



φ15x9.5mm
C x 10

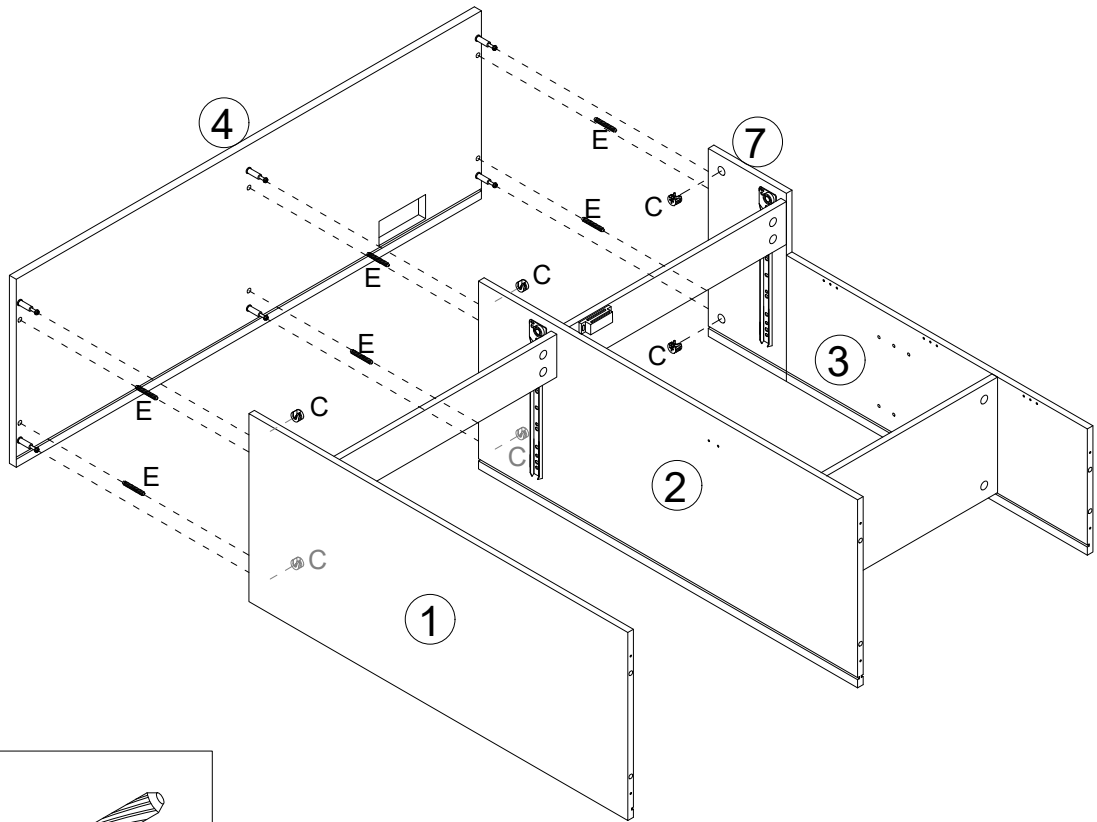


φ6x30mm
E x 4

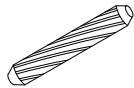


M4x35mm
H x 2

Step 5

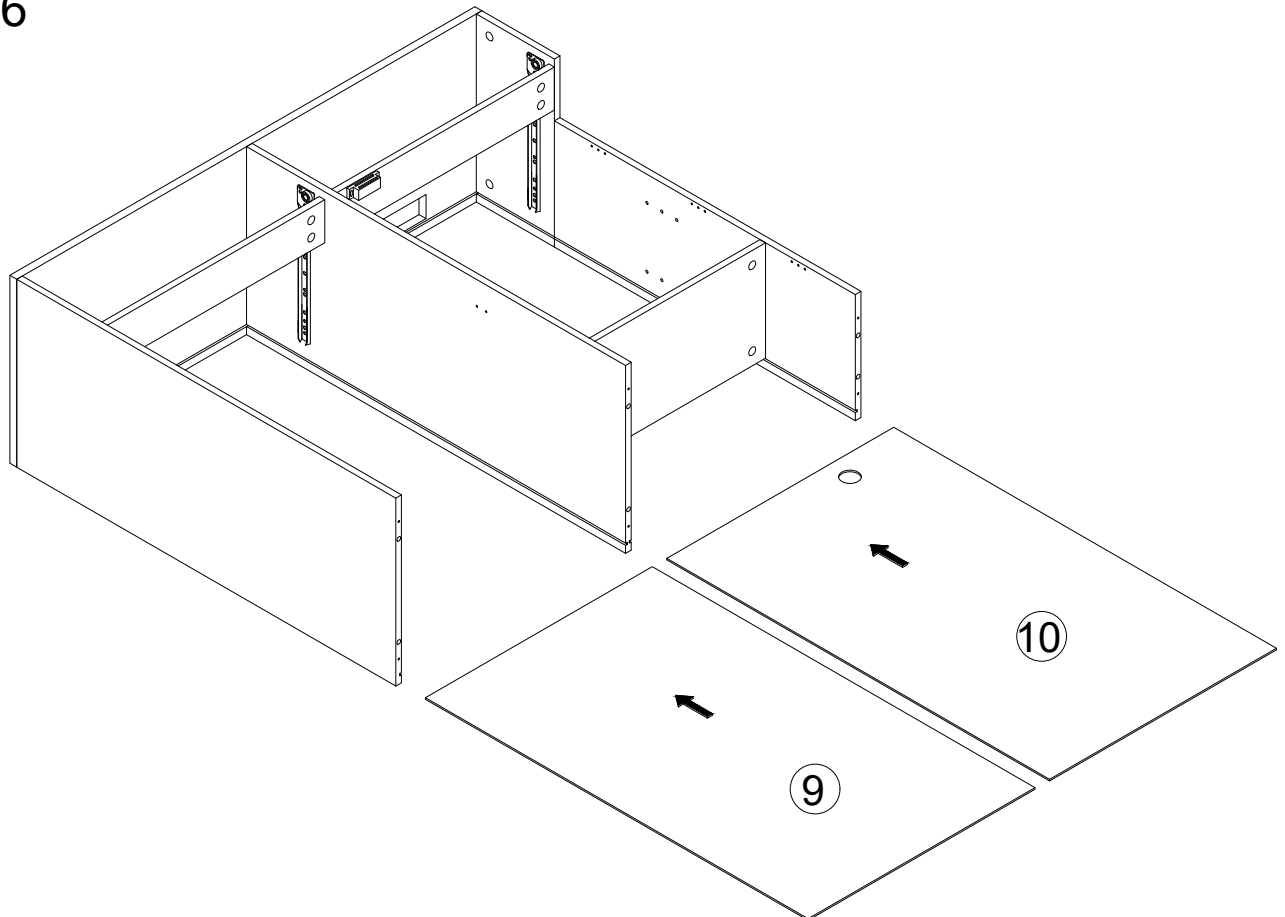


$\varnothing 15 \times 9.5 \text{mm}$
C x 6

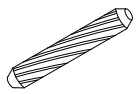
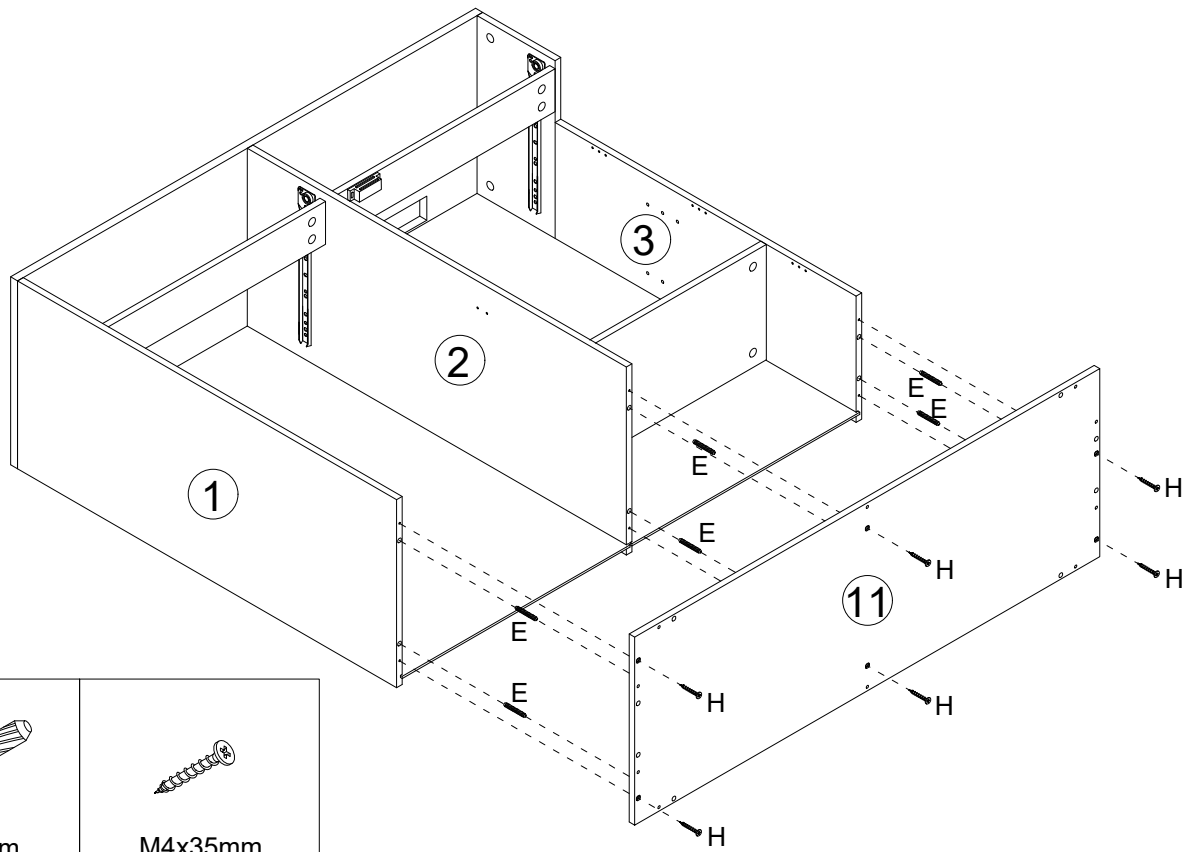


$\varnothing 6 \times 30 \text{mm}$
E x 6

Step 6



Step 7



$\phi 6 \times 30 \text{mm}$

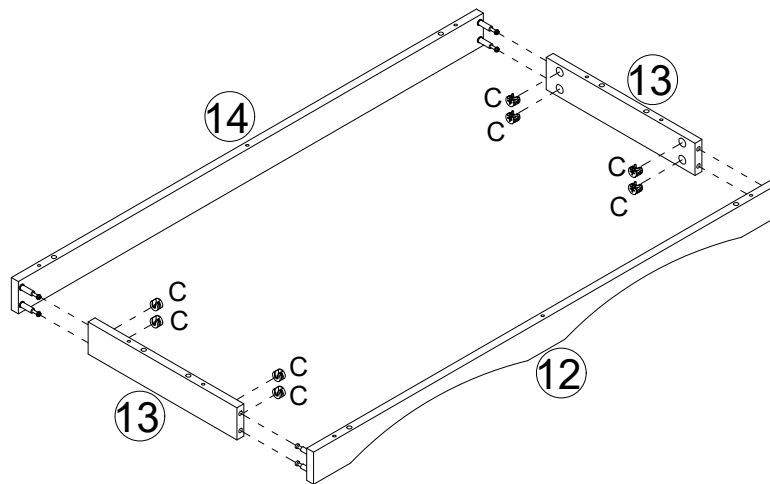
E x 6



M4x35mm

H x 6

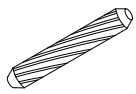
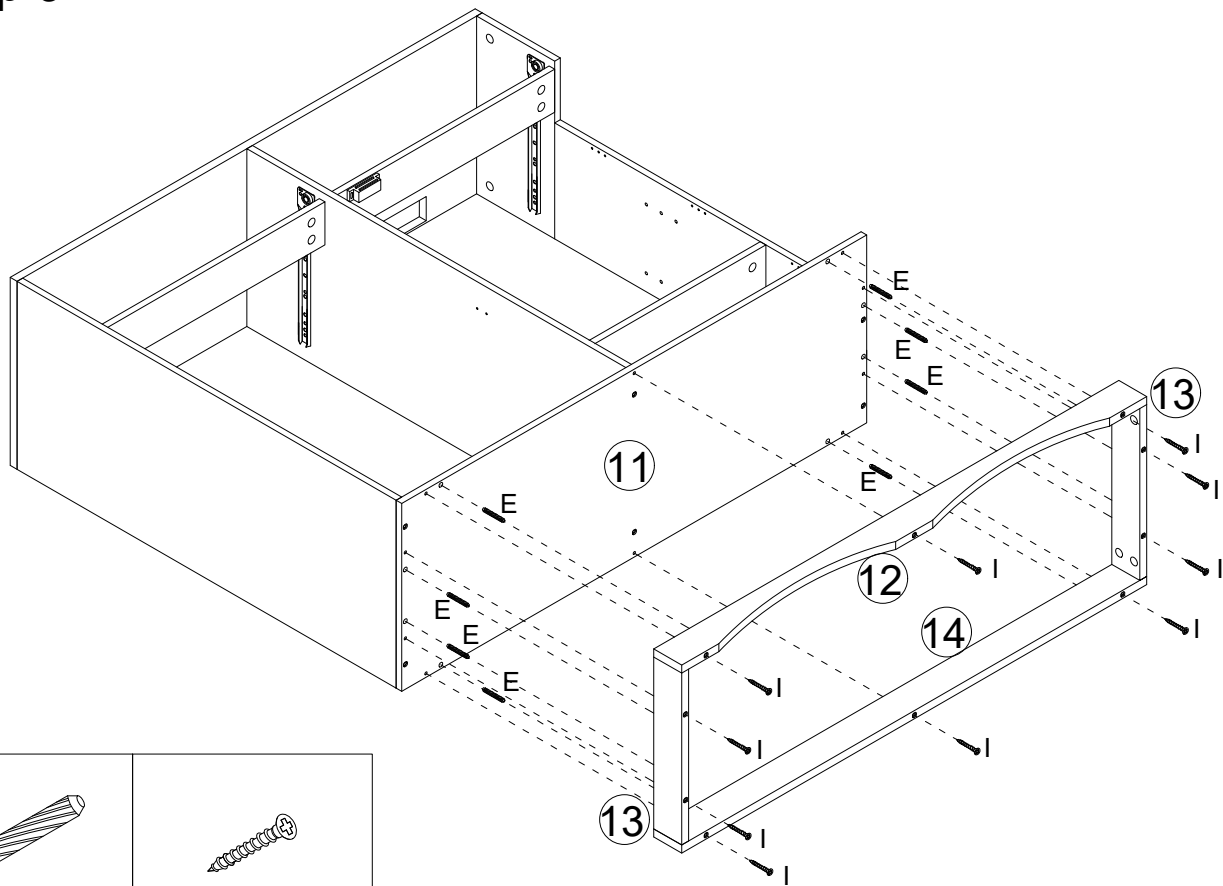
Step 8



$\phi 15 \times 9.5 \text{mm}$

C x 8

Step 9

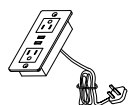
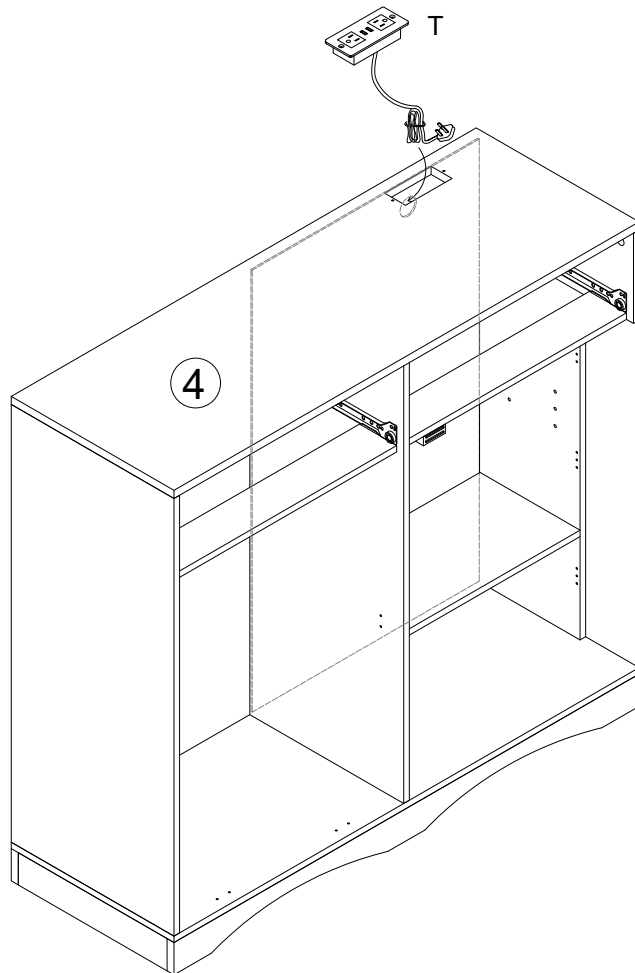


$\varnothing 6 \times 30 \text{ mm}$
E x 8



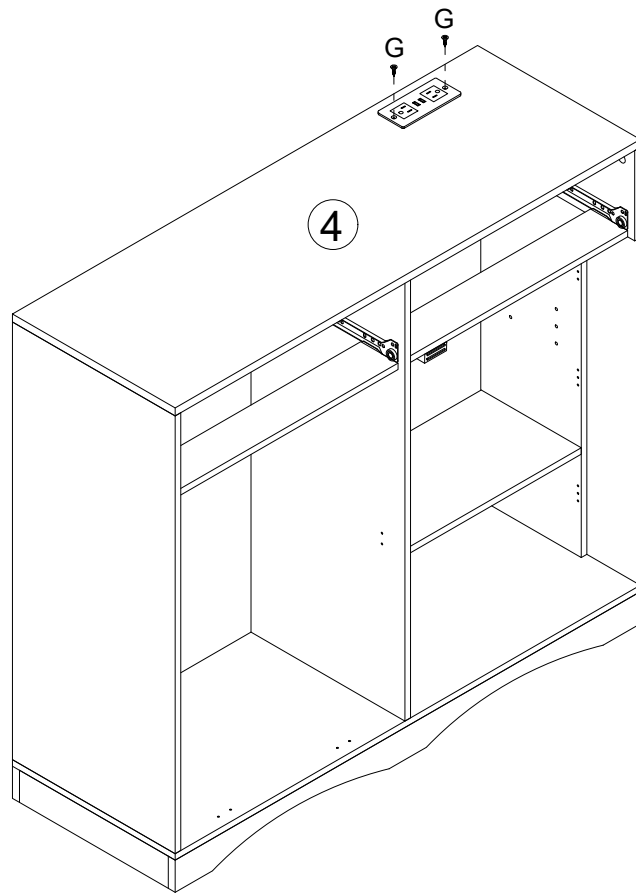
M4 x 45 mm
I x 10

Step 10



T x 1

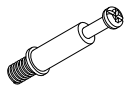
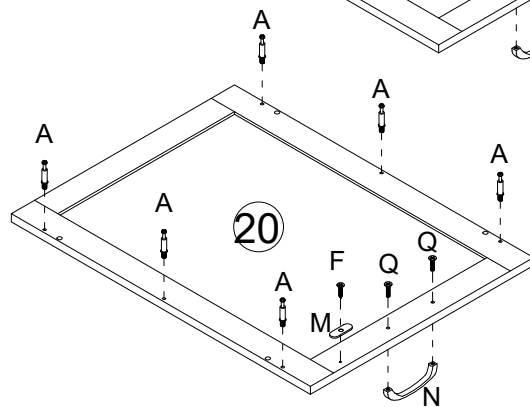
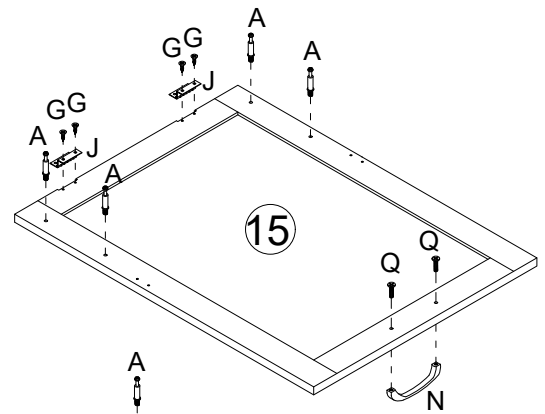
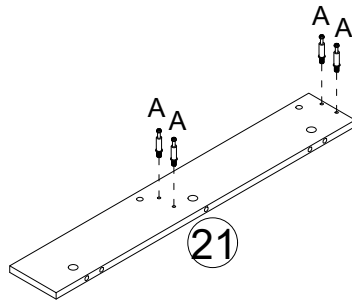
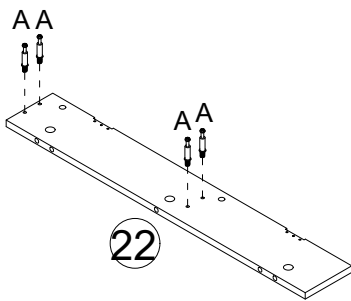
Step 11



M3.5x12mm

G x 2

Step 12



φ6x35mm

A x 18



M3x14mm

F x 1



M3.5x12mm

G x 4



J x 2



M x 1



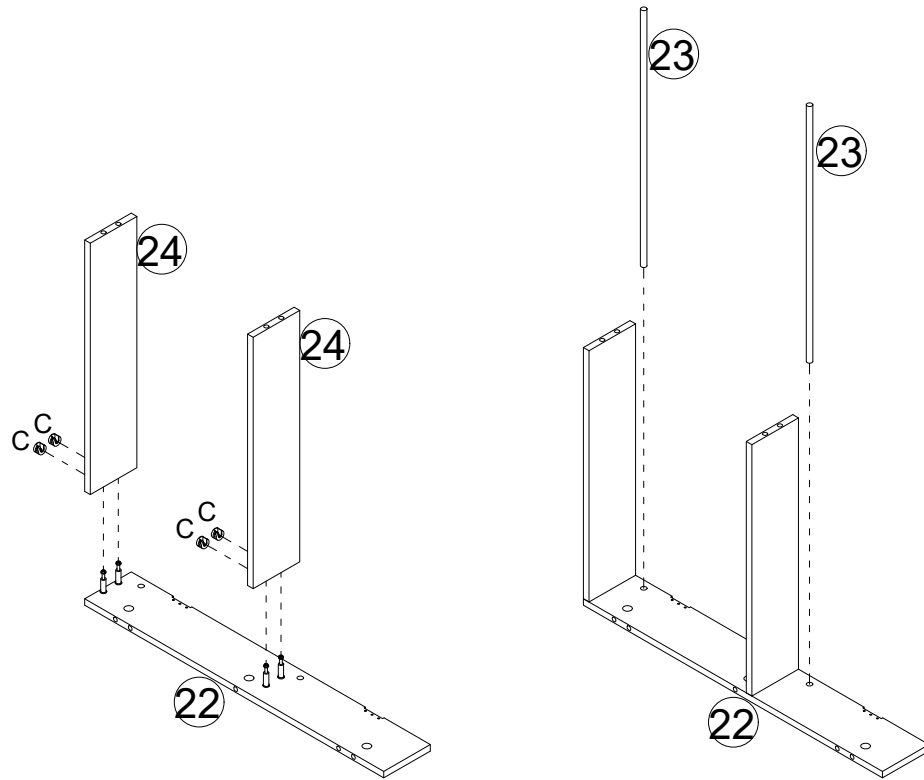
N x 2



M4x18mm

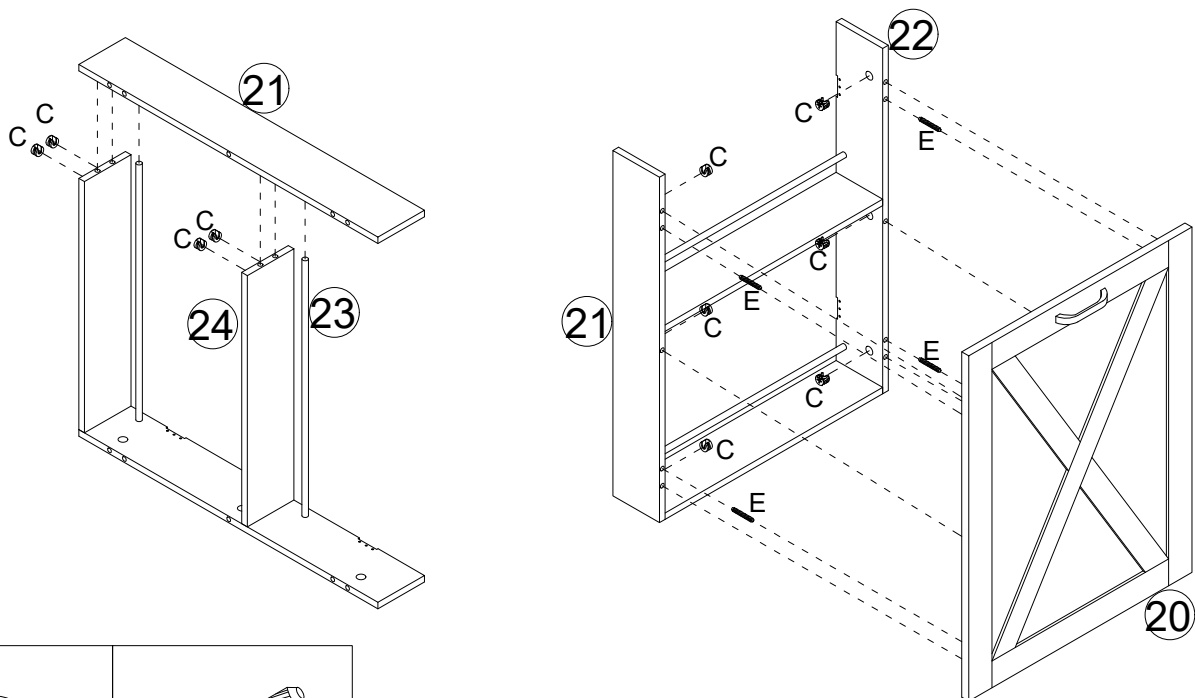
Q x 4

Step 13



$\phi 15 \times 9.5 \text{mm}$
C x 4

Step 14

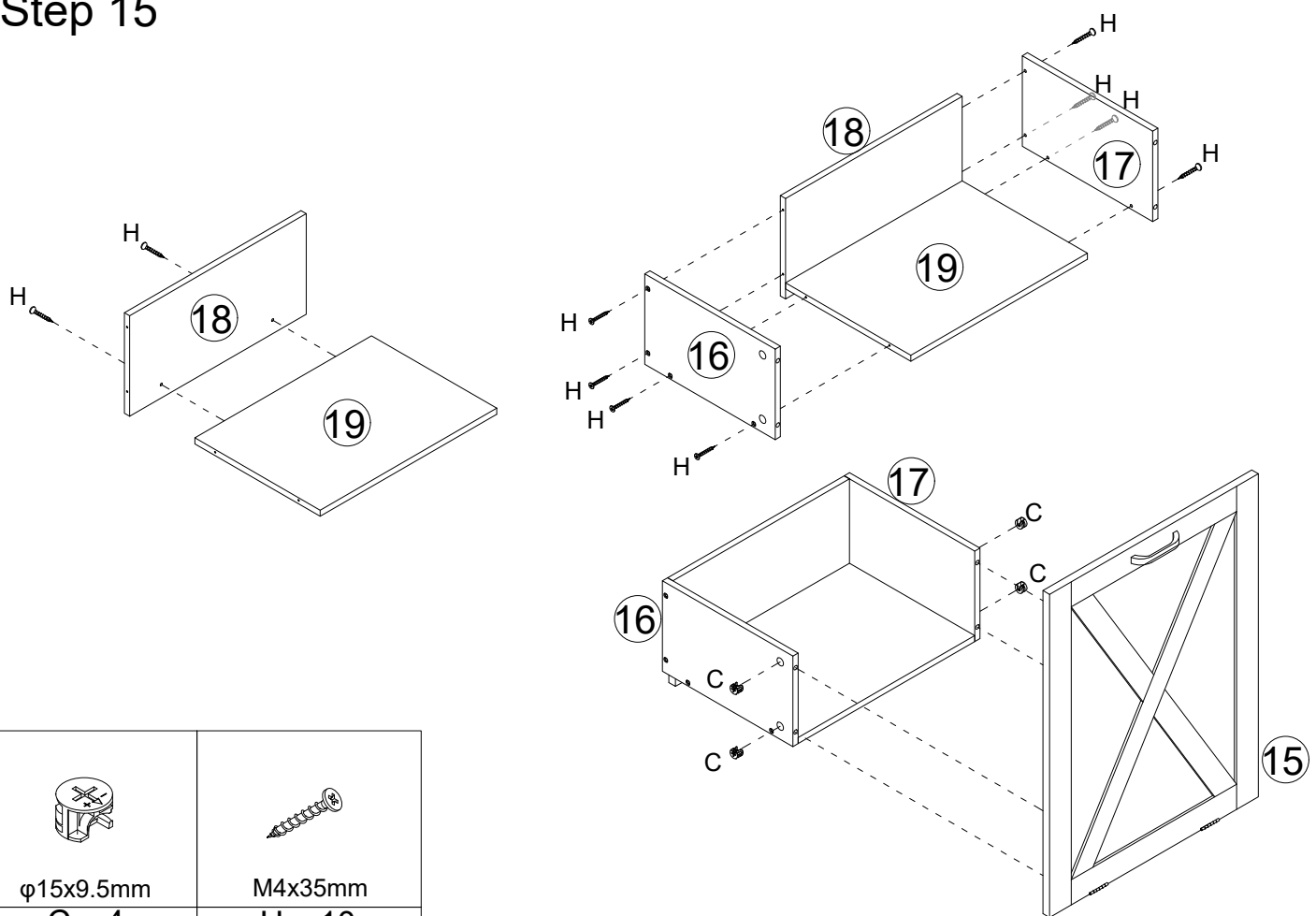


$\phi 15 \times 9.5 \text{mm}$
C x 10



$\phi 6 \times 30 \text{mm}$
E x 4

Step 15

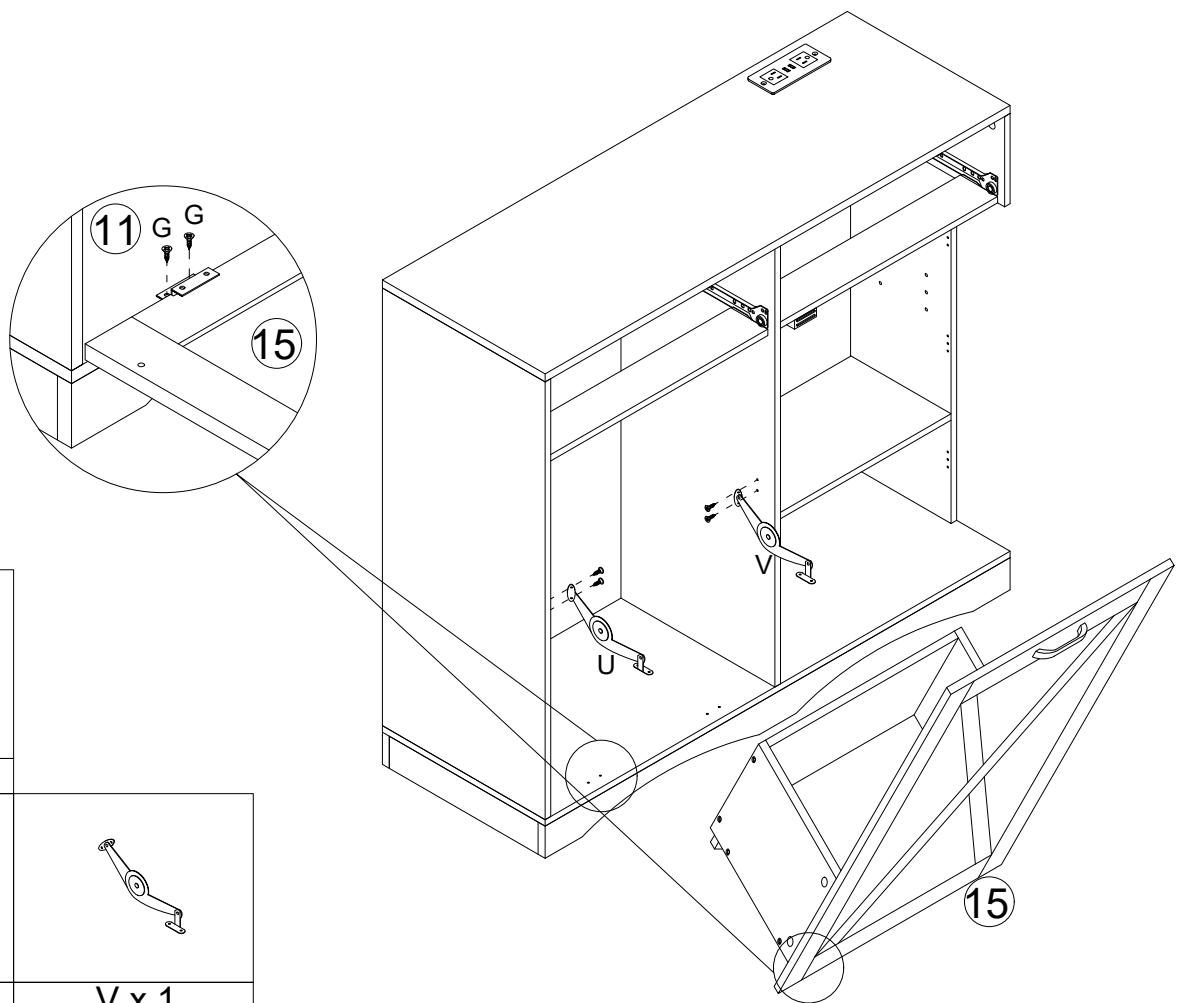


$\phi 15 \times 9.5 \text{mm}$
C x 4

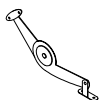


M4x35mm
H x 10

Step 16



M3.5x12mm
G x 8

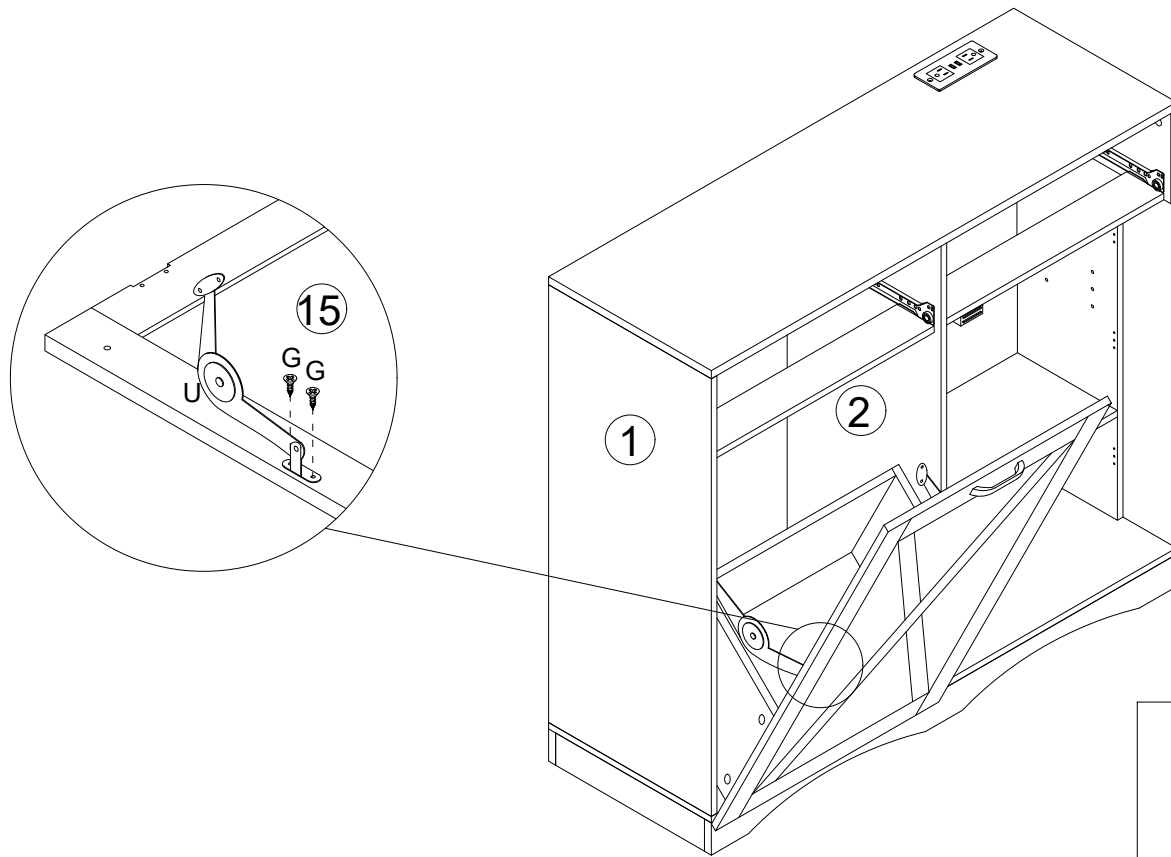


U x 1



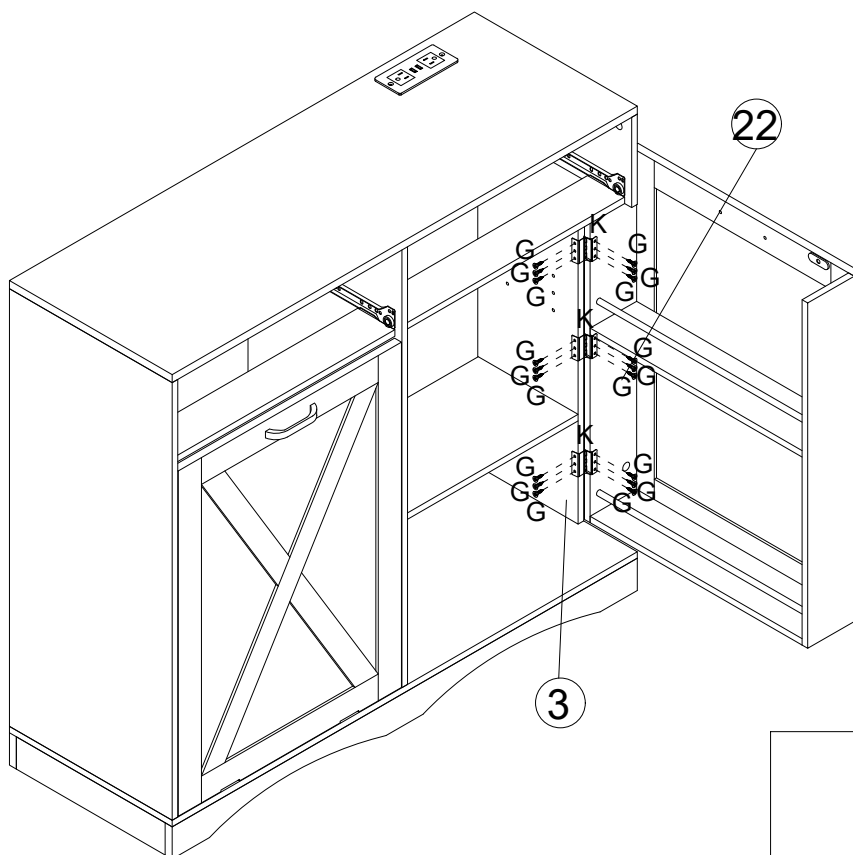
V x 1

Step 17



M3.5x12mm
G x 4

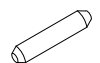
Step 18



M3.5x12mm
G x 12

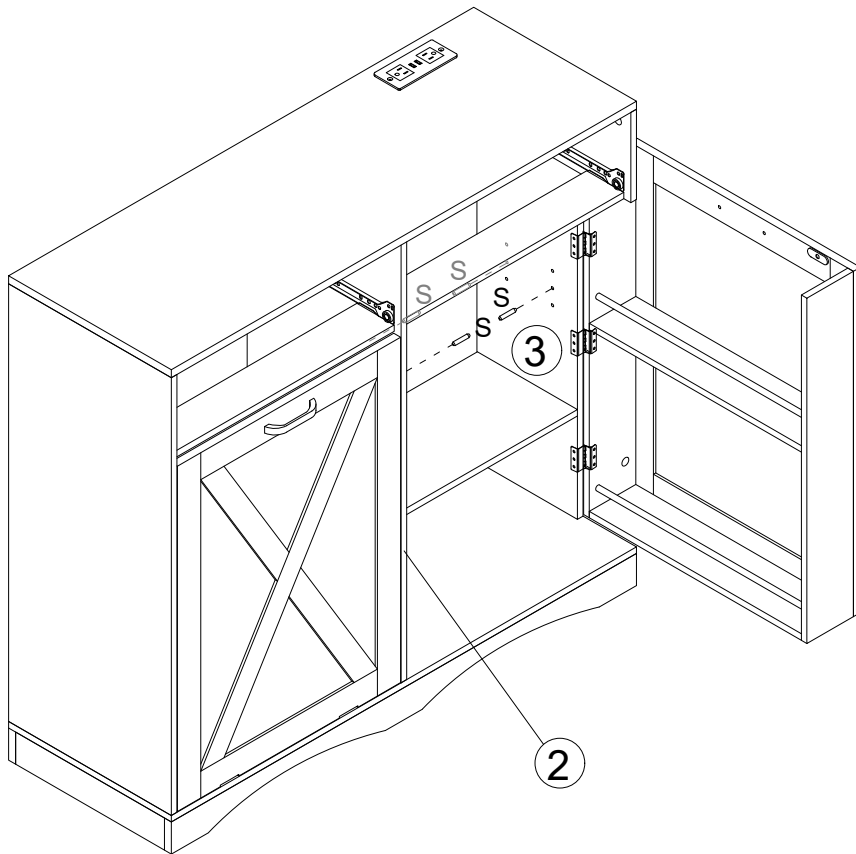


K x 2

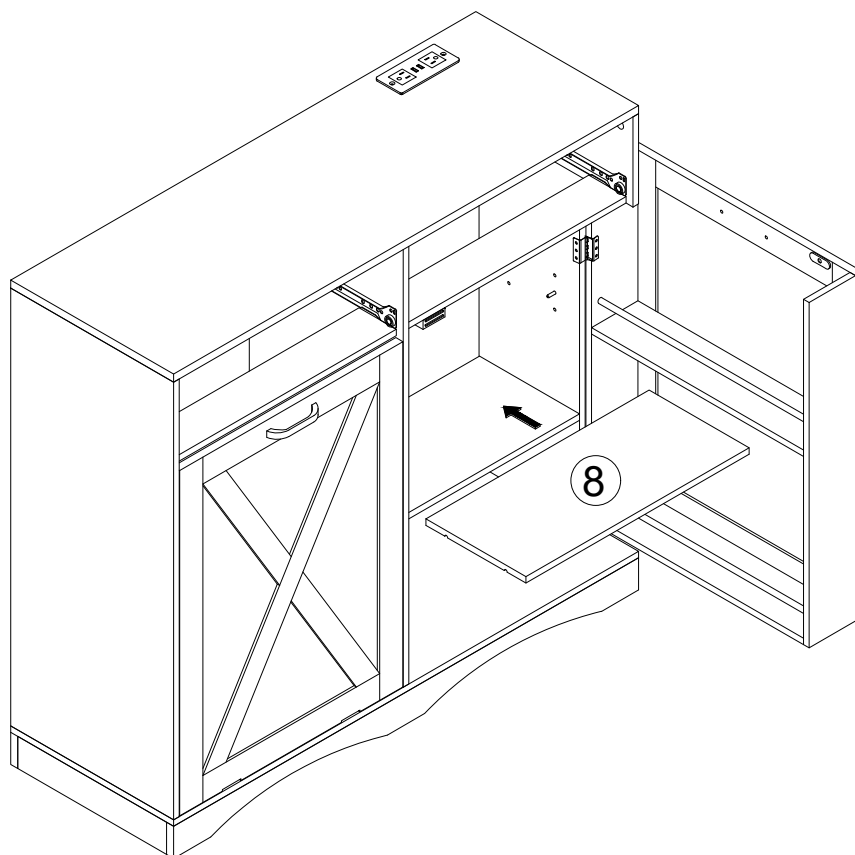


ø5x25mm
S x 4

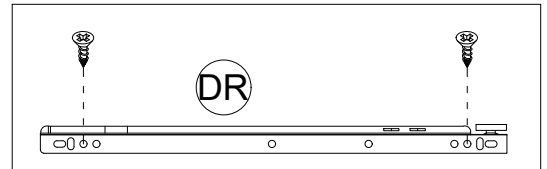
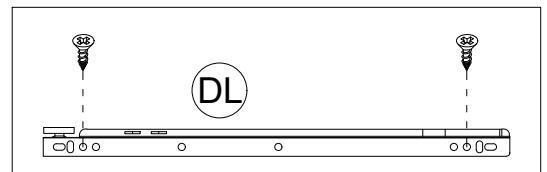
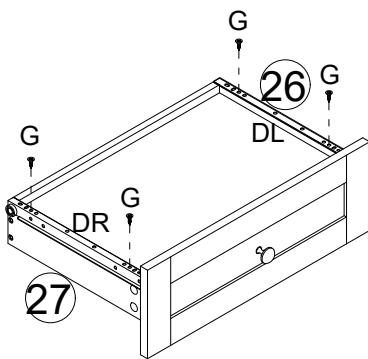
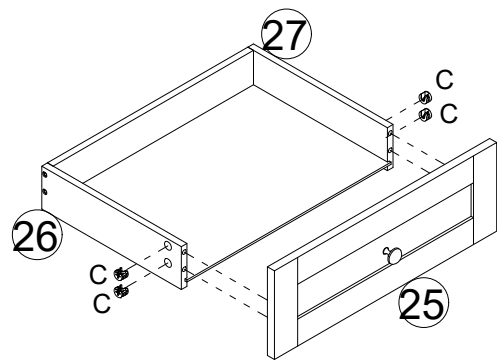
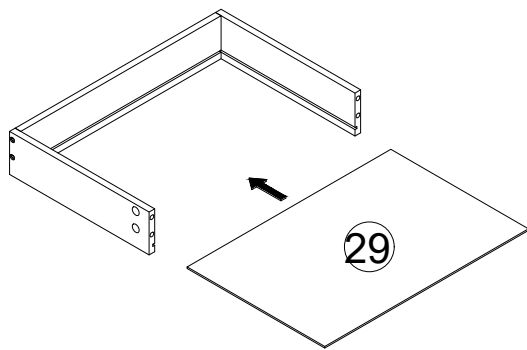
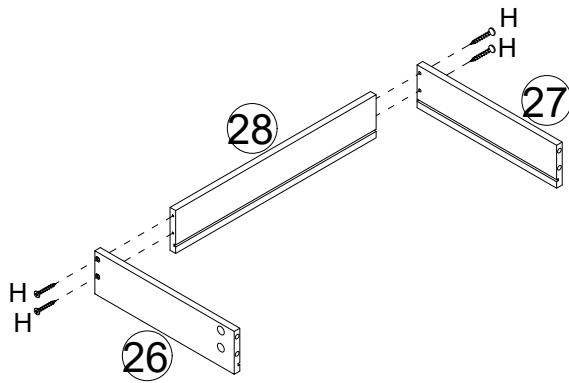
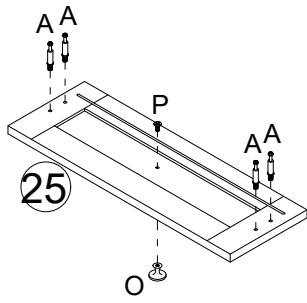
Step 19

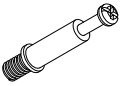
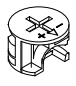




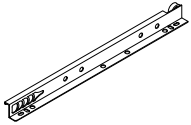
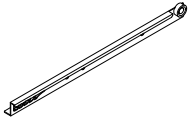


Step 20



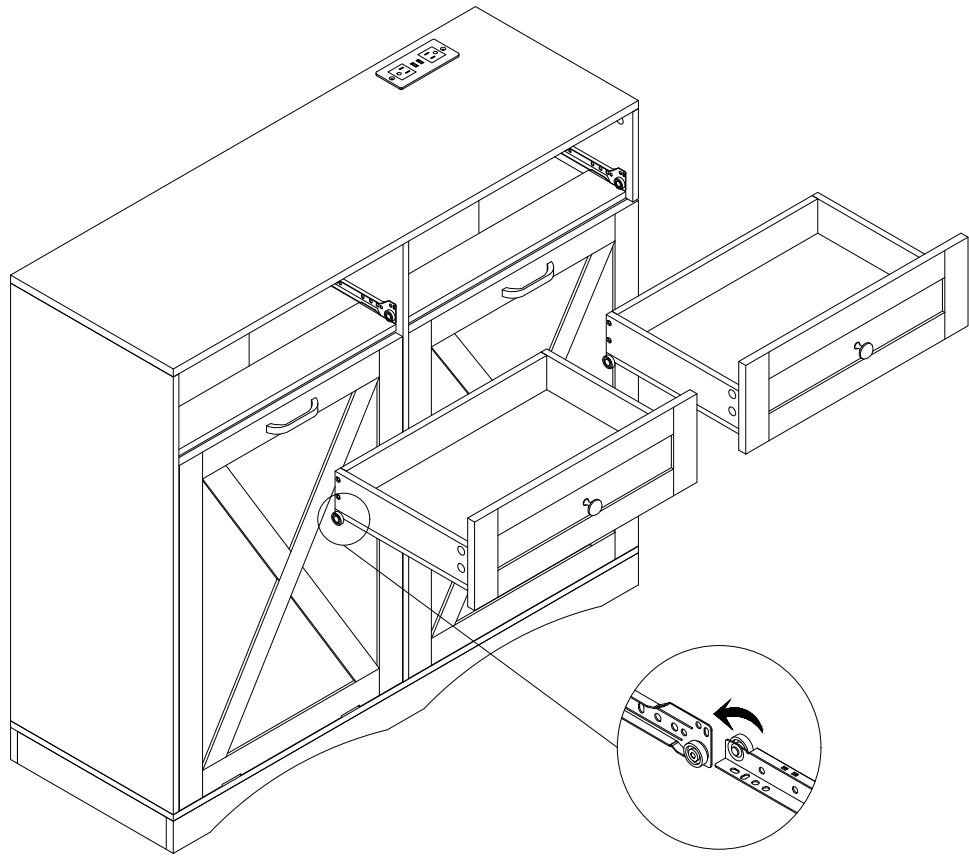
Step 21



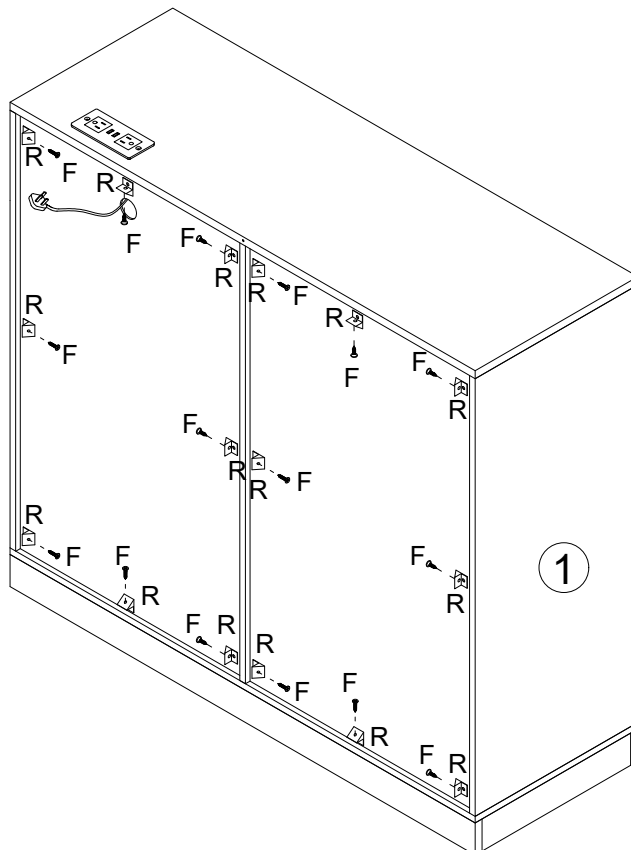
| | | | |
|---|---|---|--|
|  |  |  |  |
| φ6x35mm A x 8 | φ15x9.5mm C x 8 | M3.5x12mm G x 8 | M4x35mm H x 8 |
|  |  |  |  |
| O x 2 | M4x8mm P x 2 | DL x 2 | DR x 2 |

X 2

Step 22



Step 23



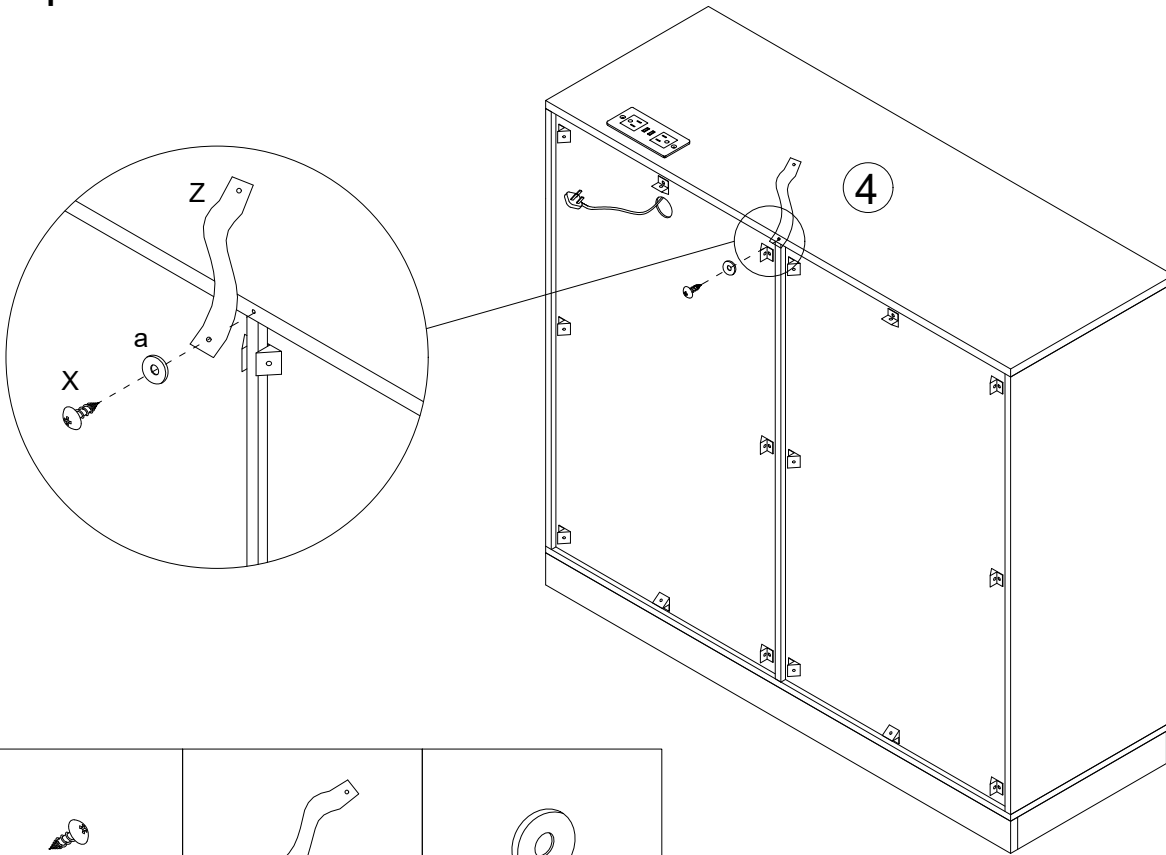
M3x14mm


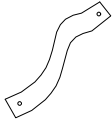

F x 16



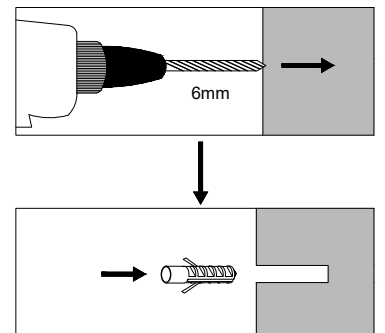
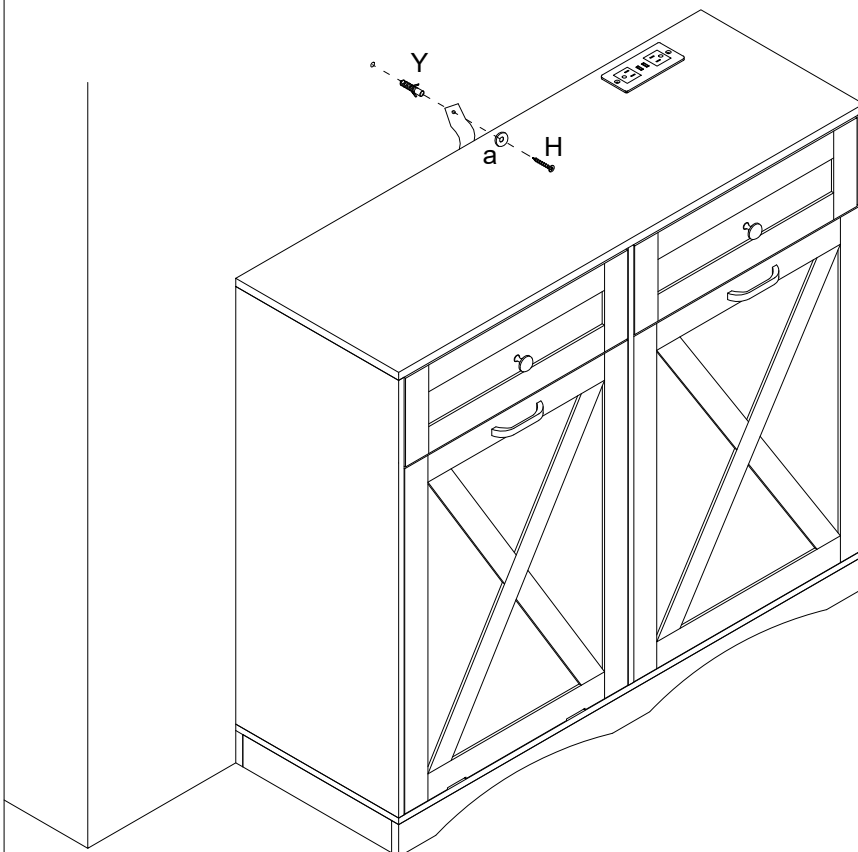
R x 16




Step 24



| | | |
|--|--|--|
|  |  |  |
| M4x14mm | | |
| X x 1 | Z x 1 | a x 1 |

Step 25



| | |
|---|---|
| |  |
| | M4x35mm |
| | H x 1 |
|  |  |
| φ6x30mm | |
| Y x 1 | a x 1 |