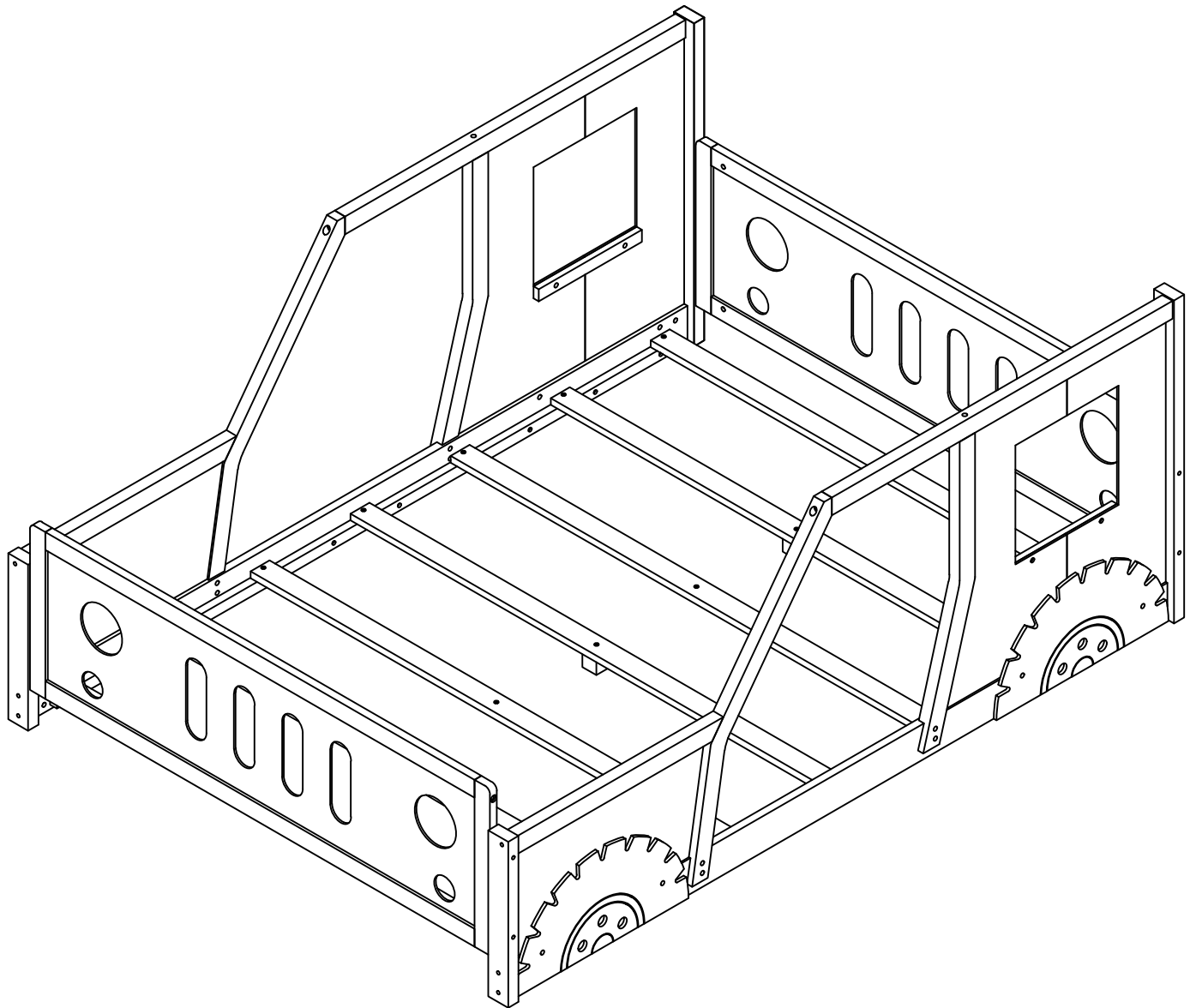
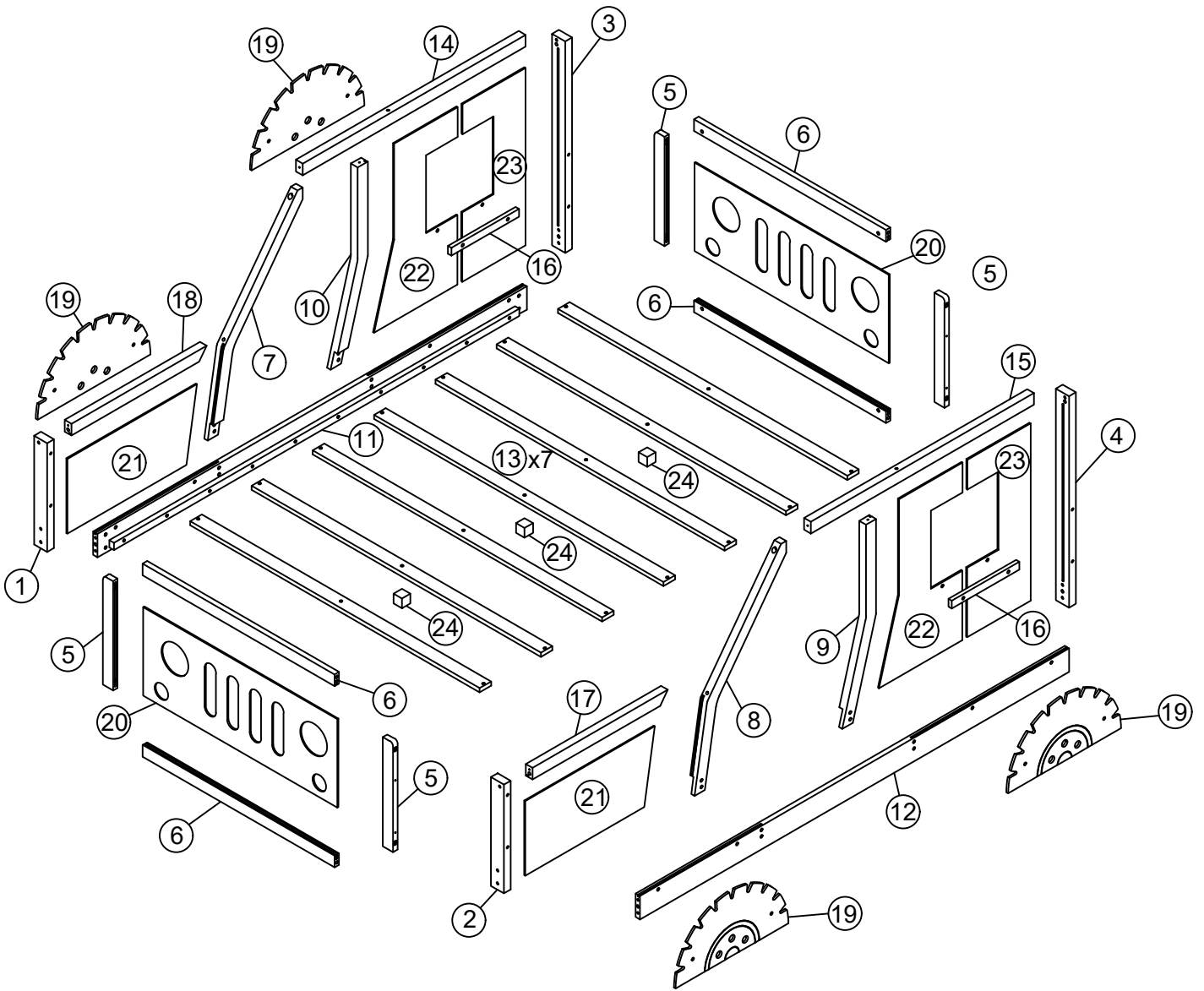


# ASSEMBLY INSTRUCTIONS

## FULL SIZE BED



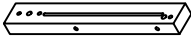
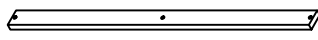

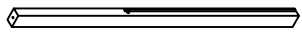

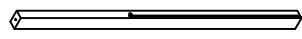
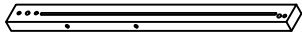
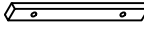







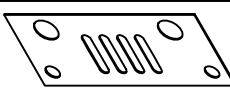

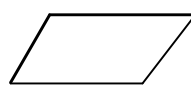

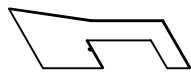

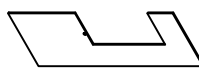
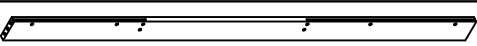

# ASSEMBLY INSTRUCTIONS



# ASSEMBLY INSTRUCTIONS












## PARTS LIST

( Hardware in this SKU)

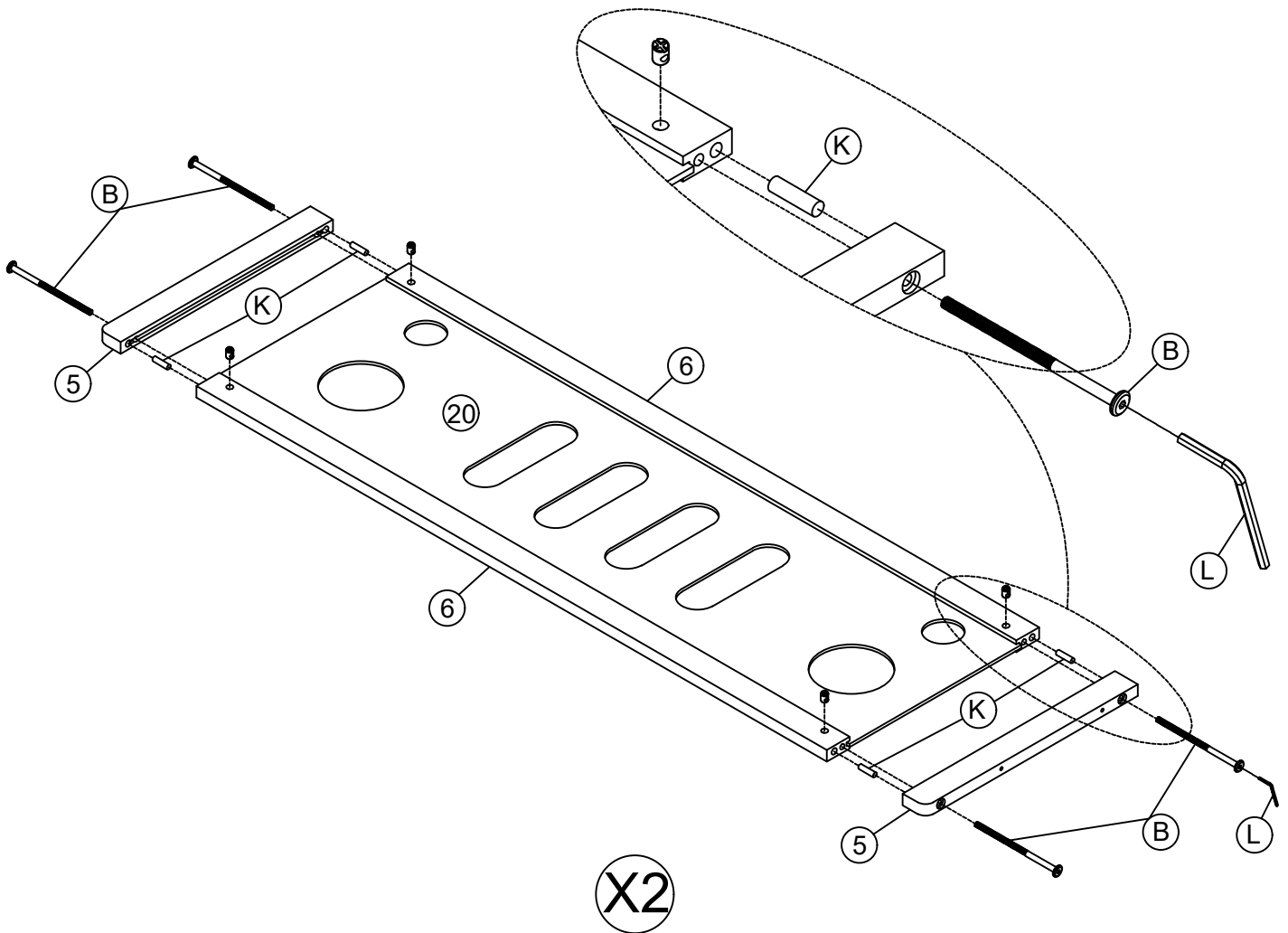
<b>1</b>	 Left rear foot of bed	1pc	<b>13</b>	 Slats	7pcs
<b>2</b>	 Left front foot of bed	1pc	<b>14</b>	 Frames side rail	1pc
<b>3</b>	 Right rear foot of bed	1pc	<b>15</b>	 Frames side rail	1pc
<b>4</b>	 Right front foot of bed	1pc	<b>16</b>	 Wooden support bar	2pcs
<b>5</b>	 Bed frame stand	4pcs	<b>17</b>	 Frames side rail	1pc
<b>6</b>	 Bed frame crossbar	4pcs	<b>18</b>	 Frames side rail	1pc
<b>7</b>	 Frame left side rail	1pc	<b>19</b>	 Wheel plank	4pcs
<b>8</b>	 Frame right side rail	1pc	<b>20</b>	 Bed headboard	2pcs
<b>9</b>	 Frame right side rail	1pc	<b>21</b>	 Panels side rail	2pcs
<b>10</b>	 Frame left side rail	1pc	<b>22</b>	 Panels side rail	2pcs
<b>11</b>	 Left side rail	1pc	<b>23</b>	 Panels side rail	2pcs
<b>12</b>	 Right side rail	1pc	<b>24</b>	 Bed flaps	3pcs



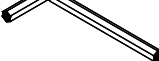
# ASSEMBLY INSTRUCTIONS

## HARDWARE LIST

A	Ø4x30		17PCS	F	1/4x30		8PCS
B	1/4x90		8PCS	G	1/4x20		8PCS
C	1/4x75		8PCS	H	1/4x15		4PCS
D	6.5x60		4PCS	K	10x40		16PCS
E	6.5x80		6PCS	L	4x58		1PC
J	6.5x90		8PCS				

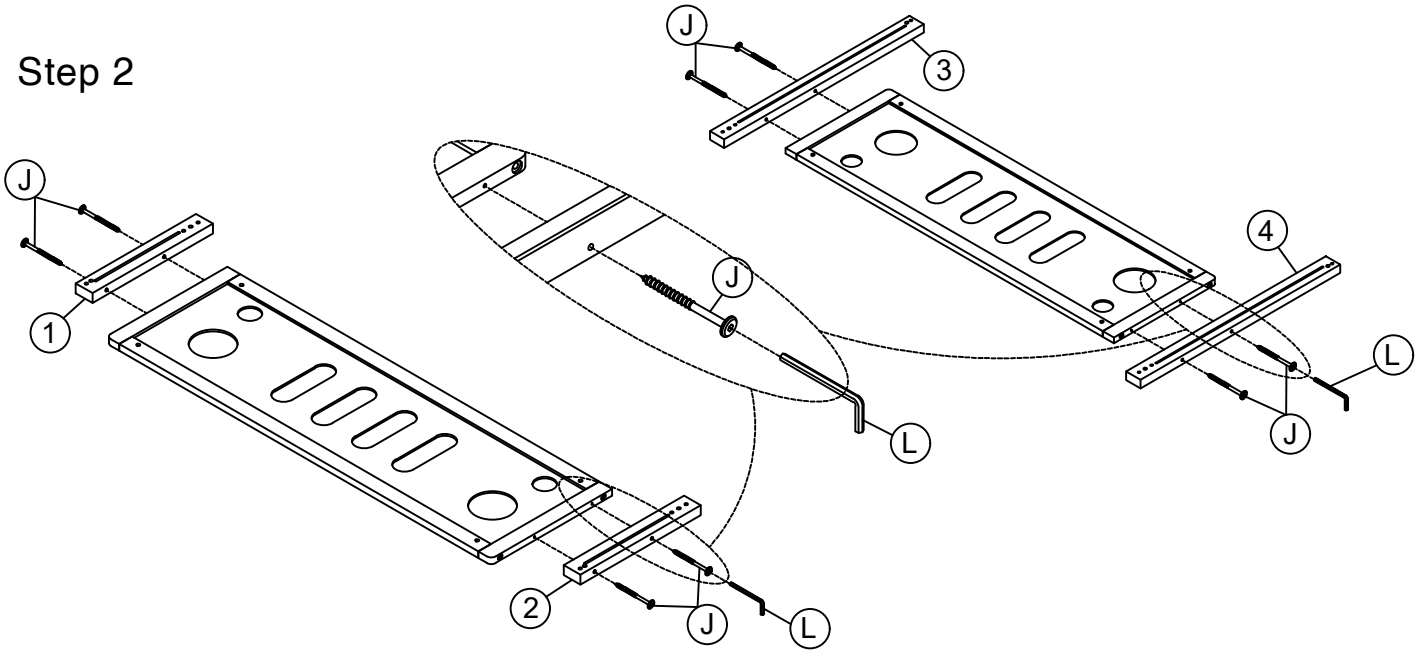
### Step 1





B	1/4x90		8PCS	K	Ø10x40		8PCS	L	4x58		1PC
---	--------	---	------	---	--------	---	------	---	------	---	-----

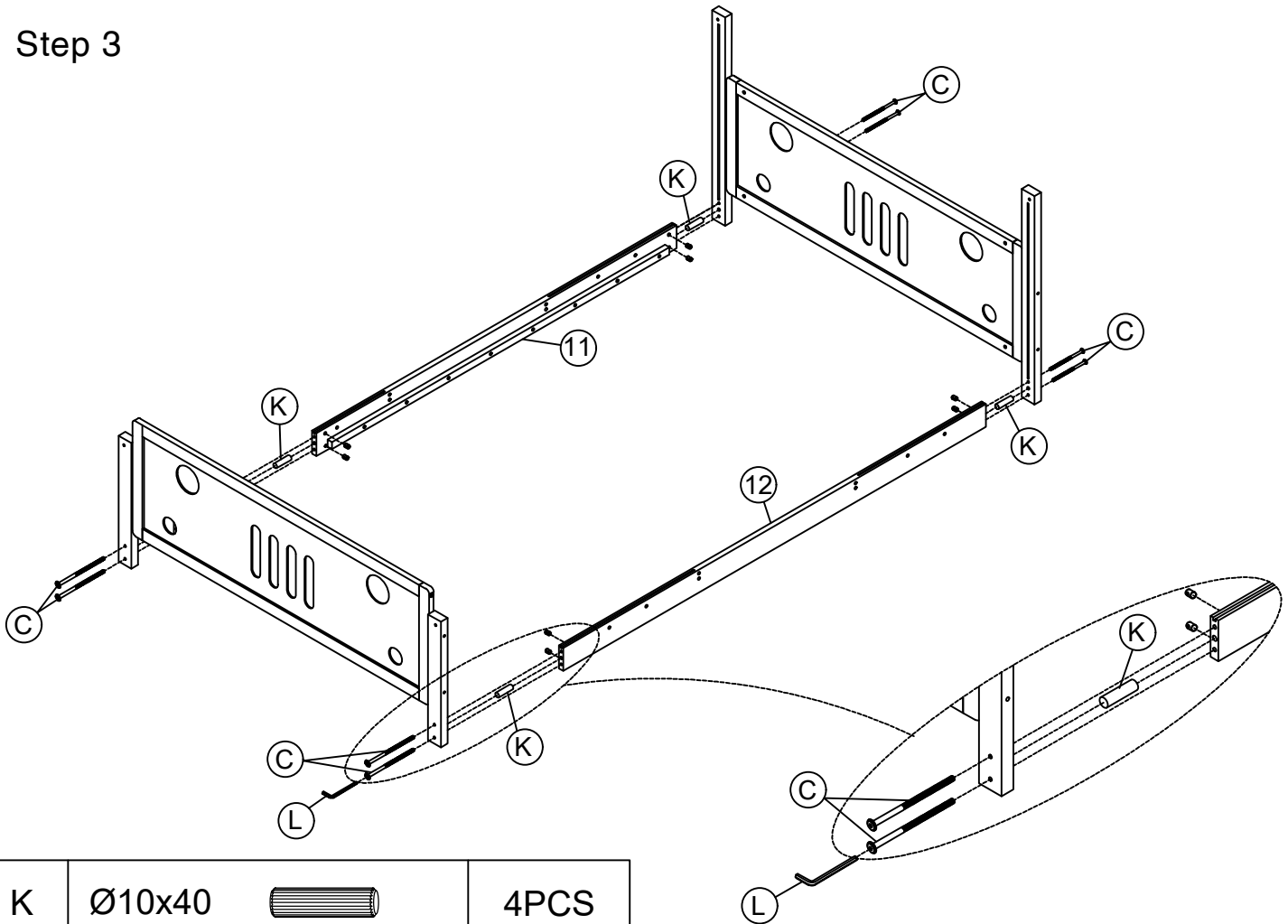
# ASSEMBLY INSTRUCTIONS





## Step 2



J	6.5x90		8PCS	L	4x58		1PC
---	--------	---	------	---	------	---	-----

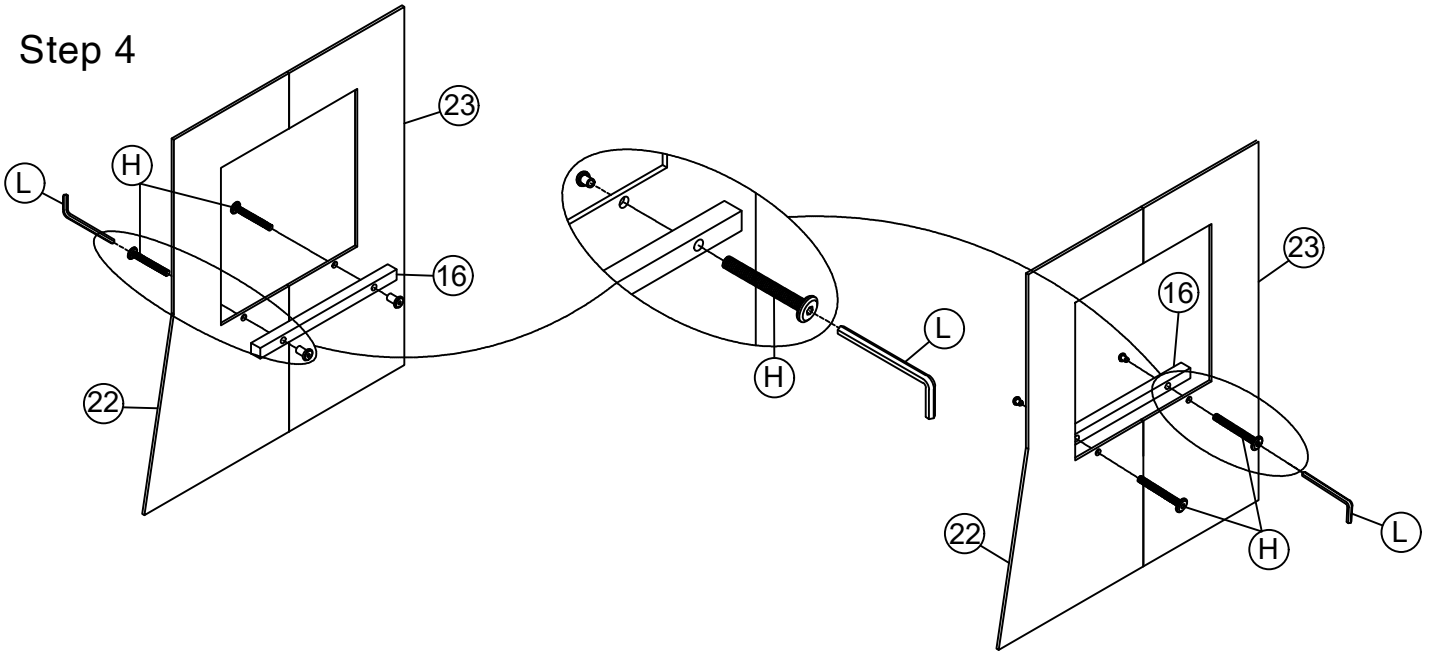
## Step 3





K	Ø10x40		4PCS	C	1/4x75	 	8PCS	L	4x58		1PC
---	--------	---	------	---	--------	---	------	---	------	---	-----

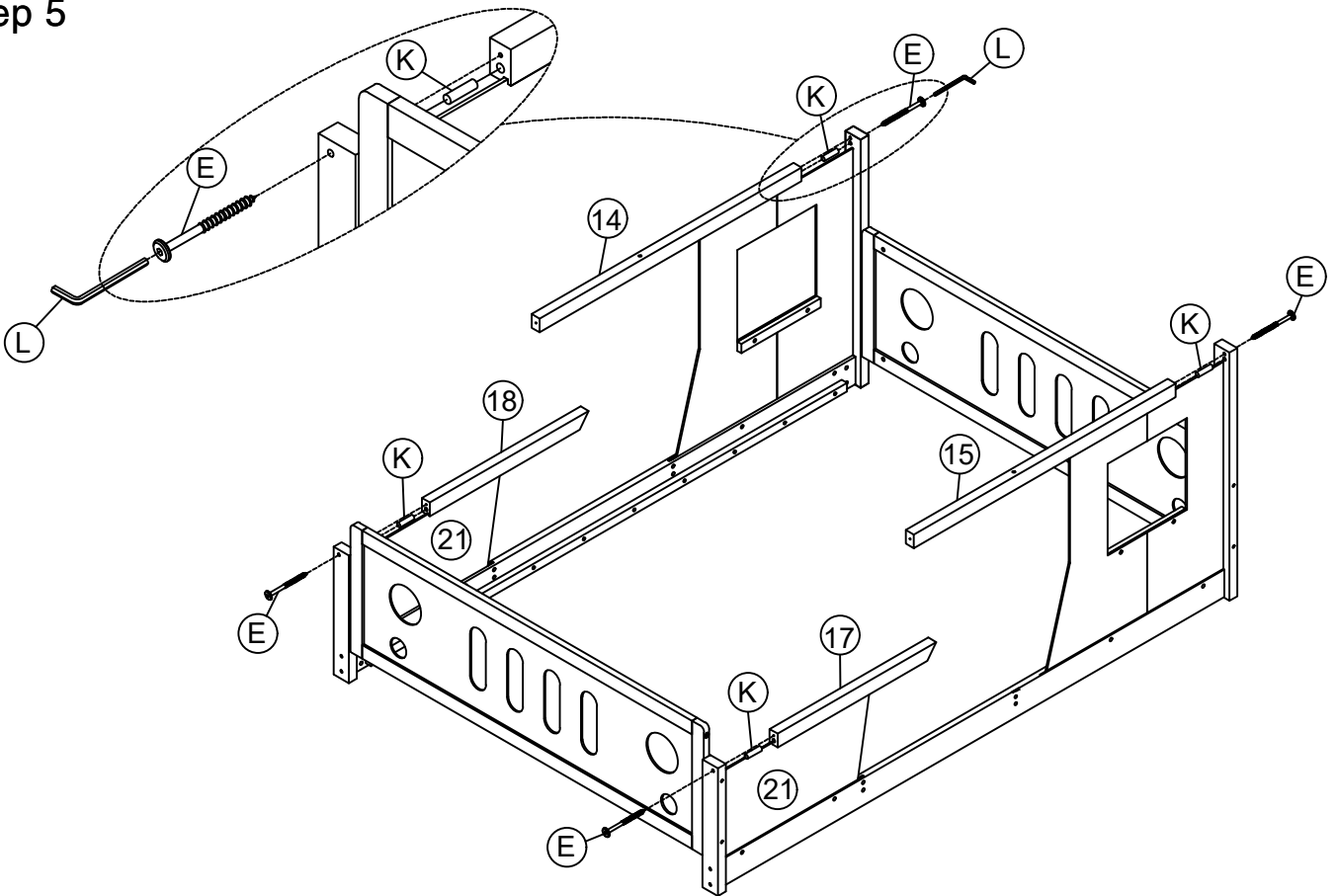
# ASSEMBLY INSTRUCTIONS




## Step 4



H	1/4x15		4PCS	L	4x58		1PC
---	--------	---	------	---	------	---	-----

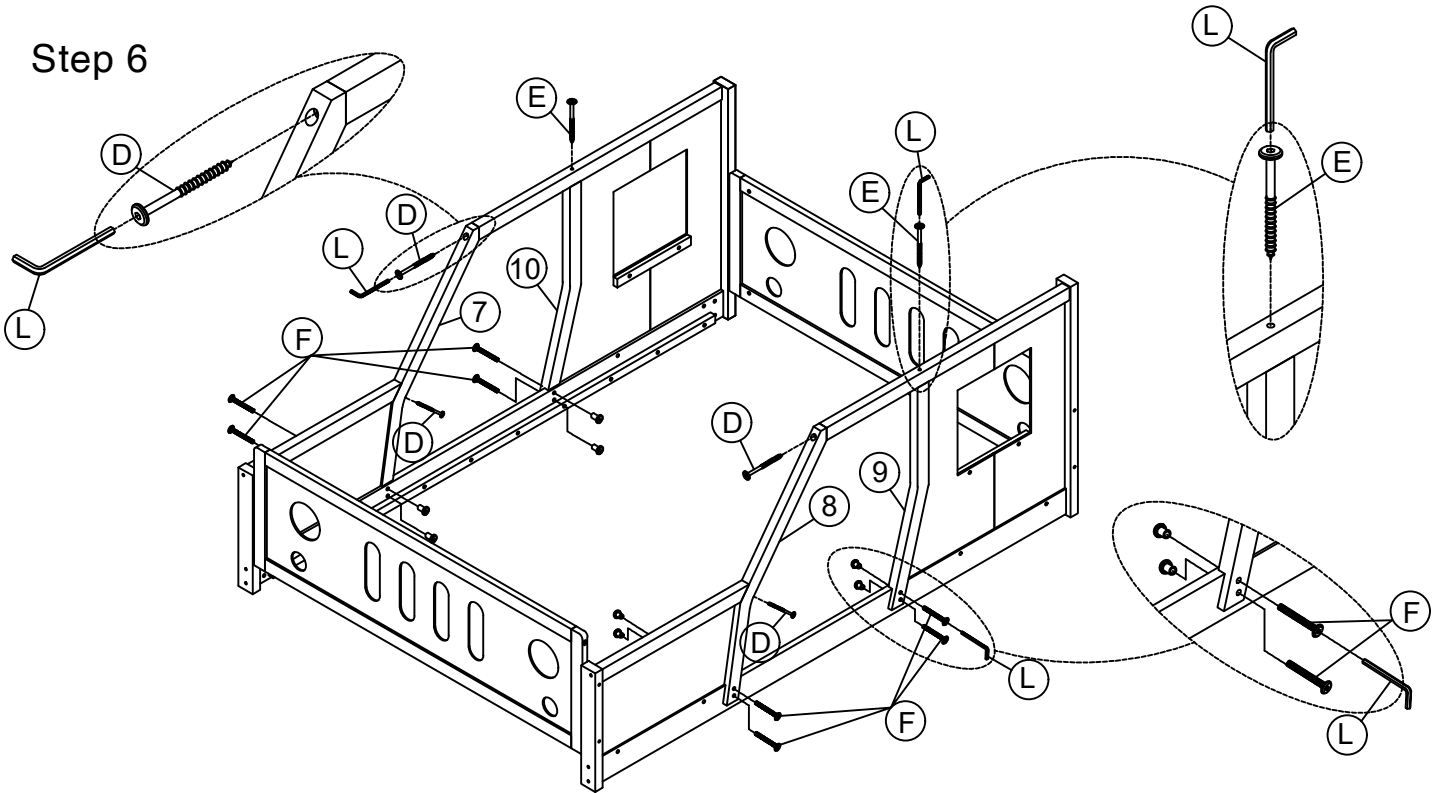
## Step 5







K	Ø10x40		4PCS	E	6.5x80		4PCS	L	4x58		1PC
---	--------	---	------	---	--------	---	------	---	------	---	-----

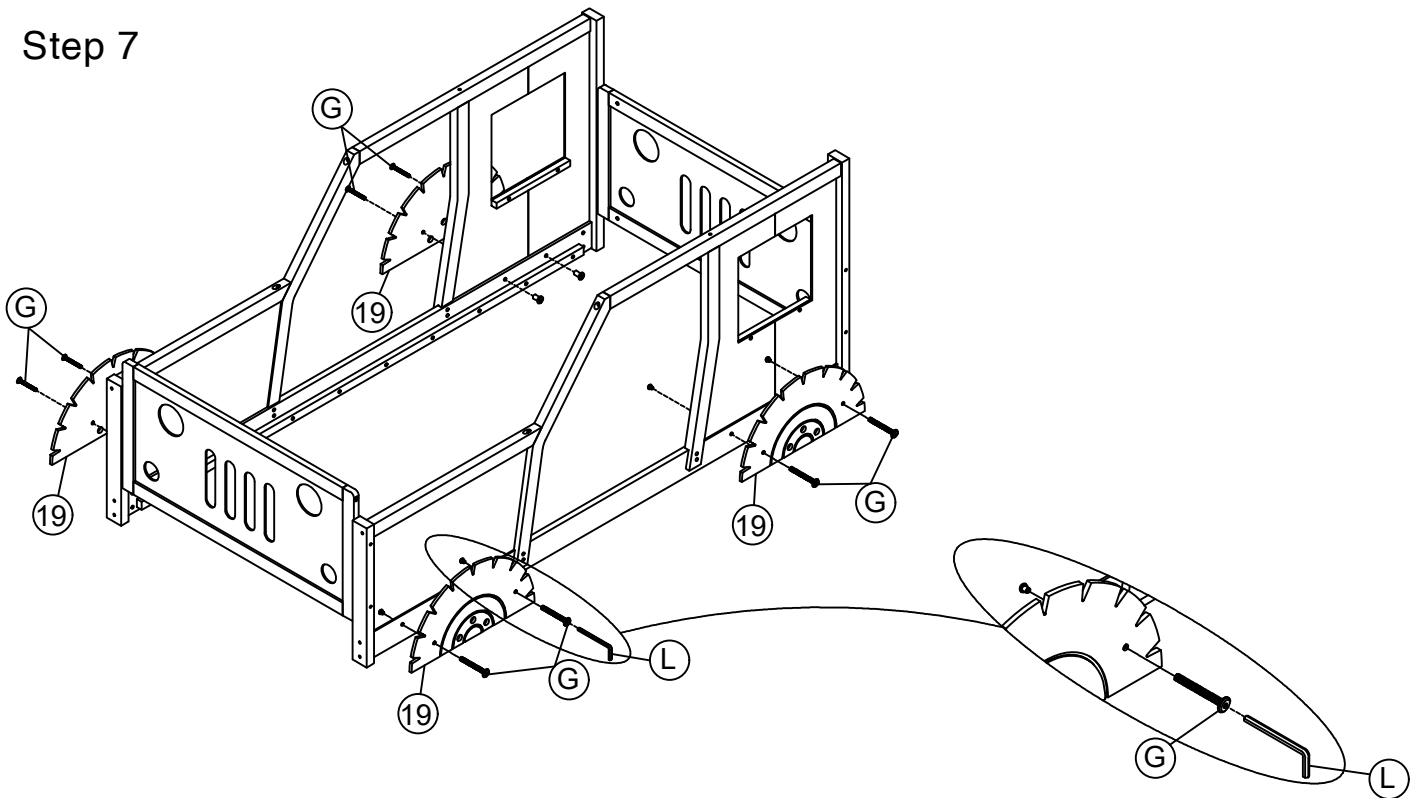
# ASSEMBLY INSTRUCTIONS

## Step 6



D	6.5x60		4PCS	F	1/4x30		8PCS
E	6.5x80		2PCS	L	4x58		1PC

## Step 7

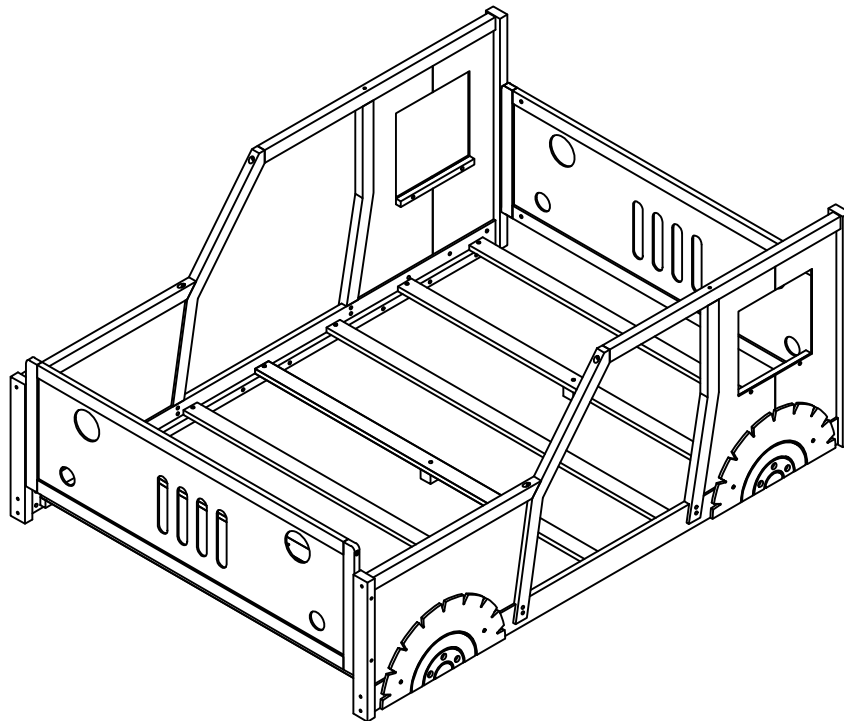
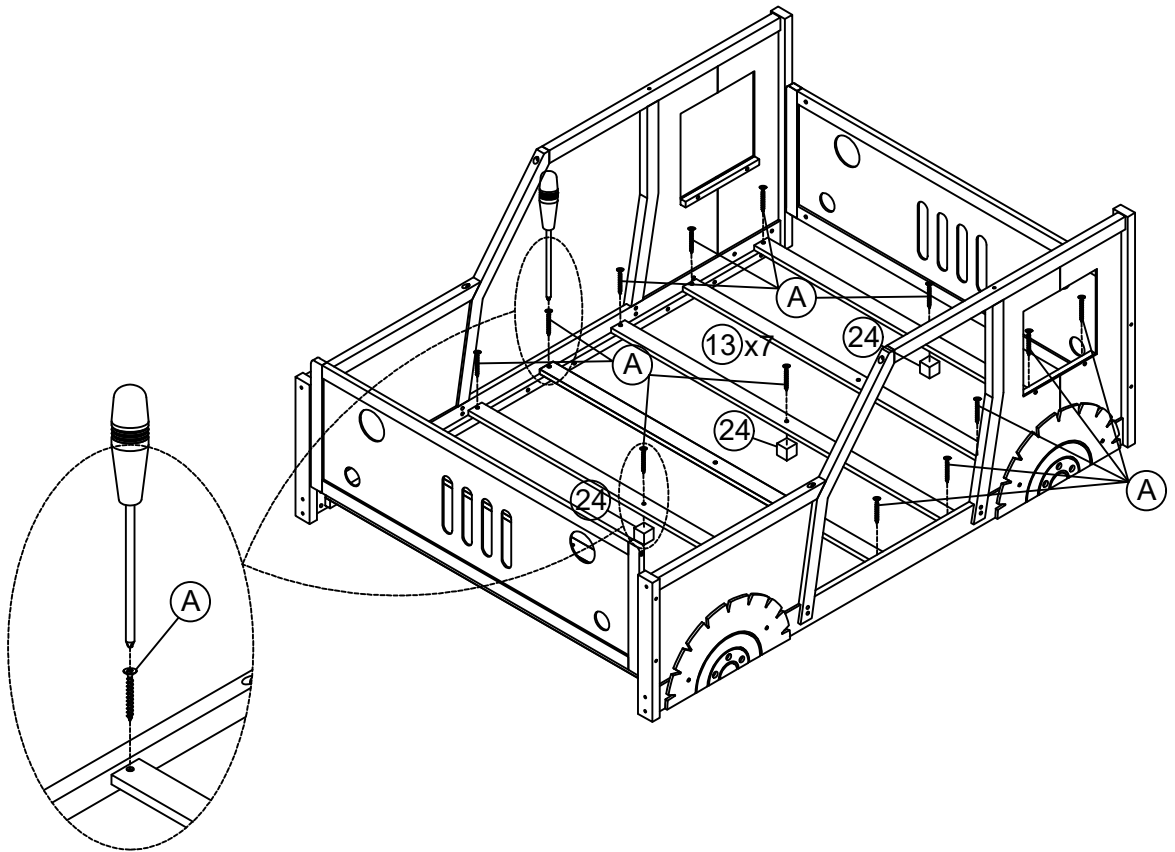


G	1/4x20		8PCS	L	4x58		1PC
---	--------	---	------	---	------	---	-----

# ASSEMBLY INSTRUCTIONS

## Step 8

First attach 2pcs part 13 to the front and end of the frame between headboard.  
Then attach the remaining part 13 equidistantly between headboard



A

Ø4x30



17PCS