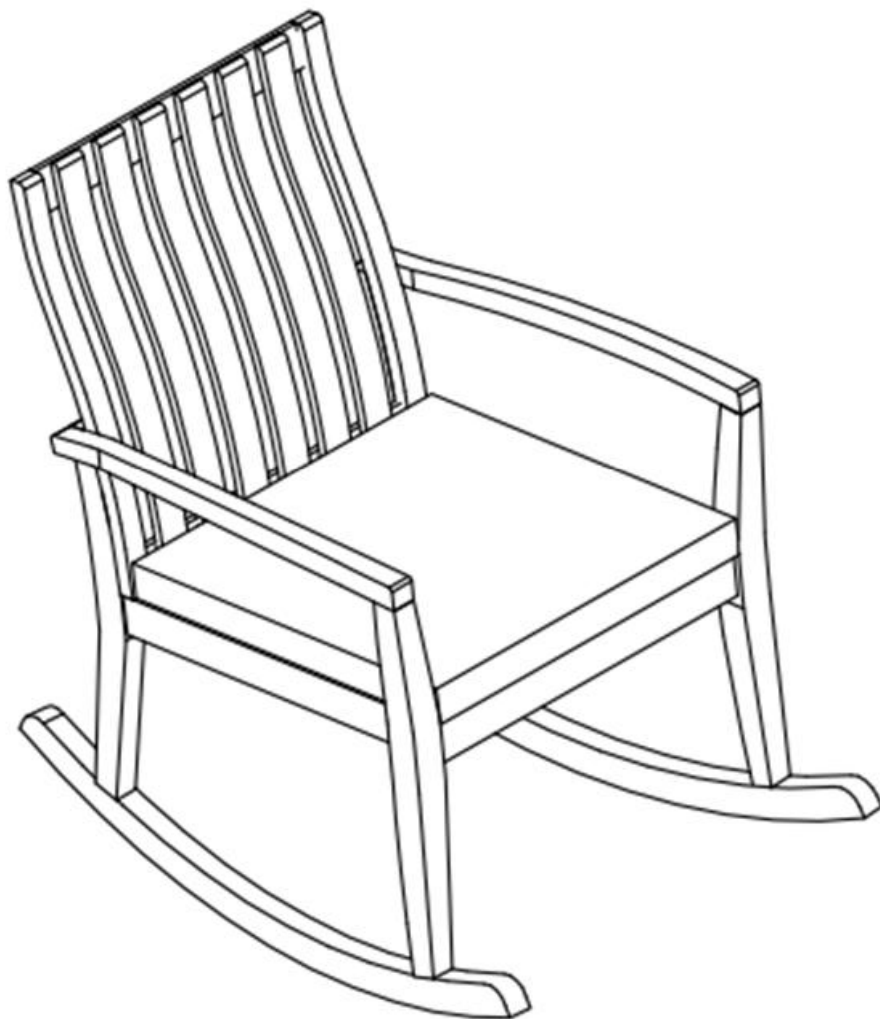


Assembly Instructions

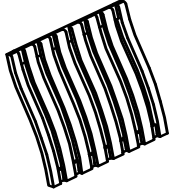
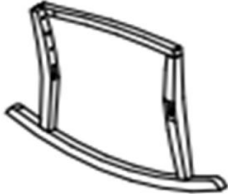

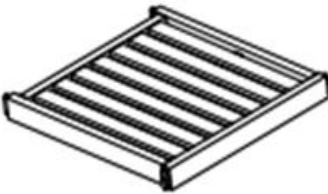
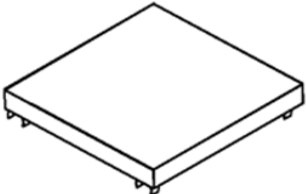
Caution: You must read this before you proceed

Please look in the Seat Panel for hardware packs.





Rocking Chair



Part List

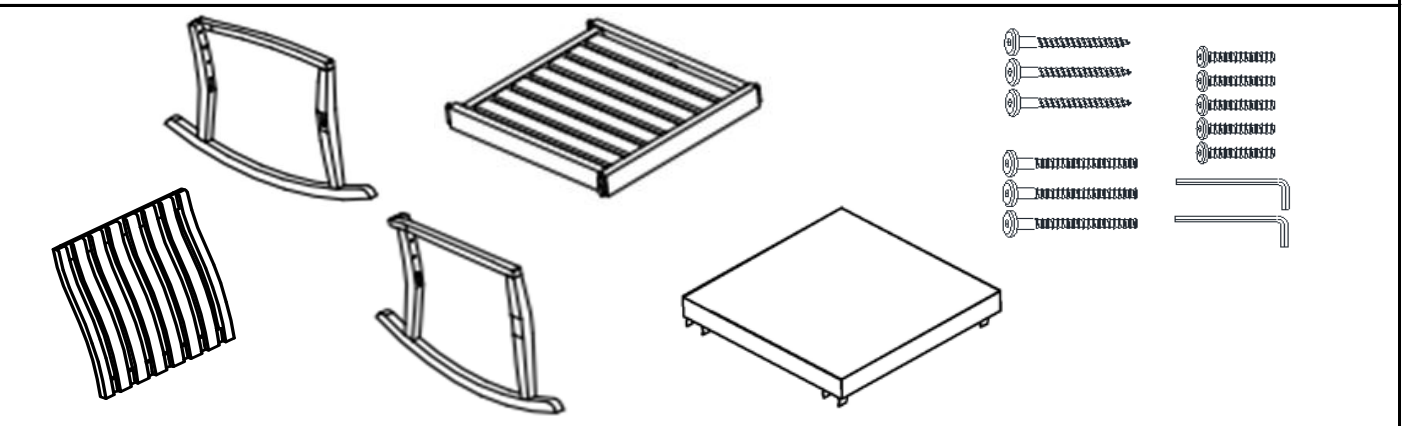
| Label | Picture | Description | QTY |
|-------|---|-----------------|-----|
| A |  | Backrest Panel | 1 |
| B |  | Right Leg Panel | 1 |
| C |  | Left Leg Panel | 1 |
| D |  | Seat Panel | 1 |
| E |  | Seat Cushion | 1 |

Hardware

| No. | Picture | Description | QTY |
|-----|---|-----------------|-----|
| ① |  | Screw (M7X70mm) | 3 |
| ② |  | Bolt (M6x45mm) | 5 |
| ③ |  | Bolt (M8x80mm) | 3 |
| ④ |  | Allen Wrench | 2 |

Assembly Preparation

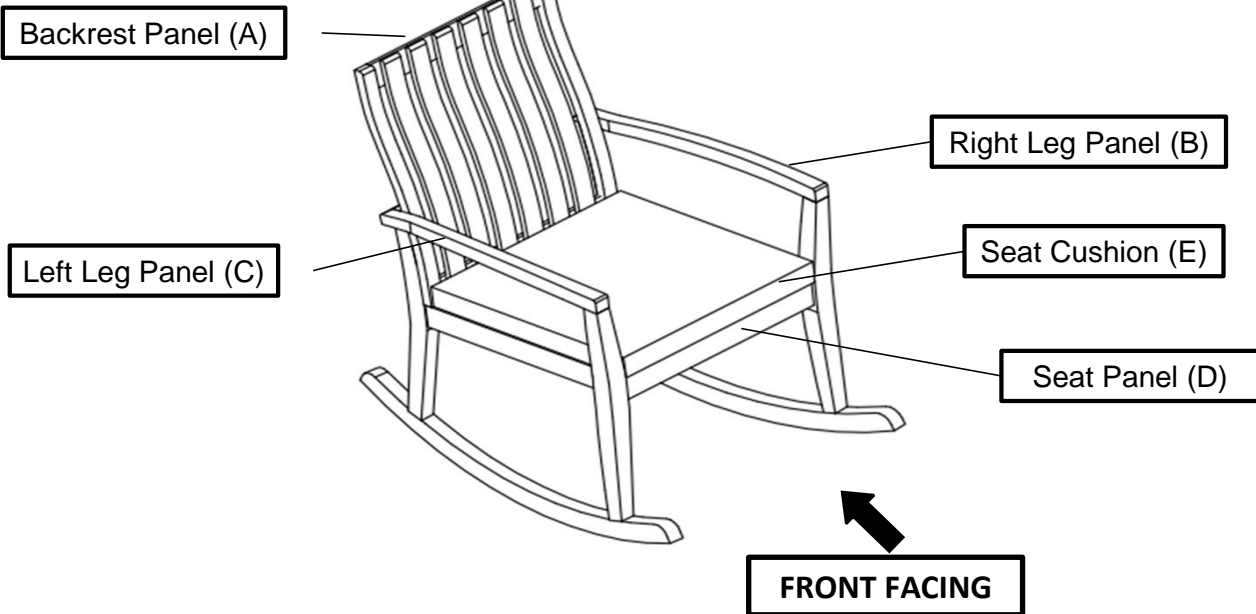
Before Beginning Assembly:



- Read instructions, cover to cover-
- Have 2 adults on hand for assembly-
- Do not assemble on flooring or carpet-
- Assemble on a clean non-marring surface (packing foam)-
- Save all packaging until finished-

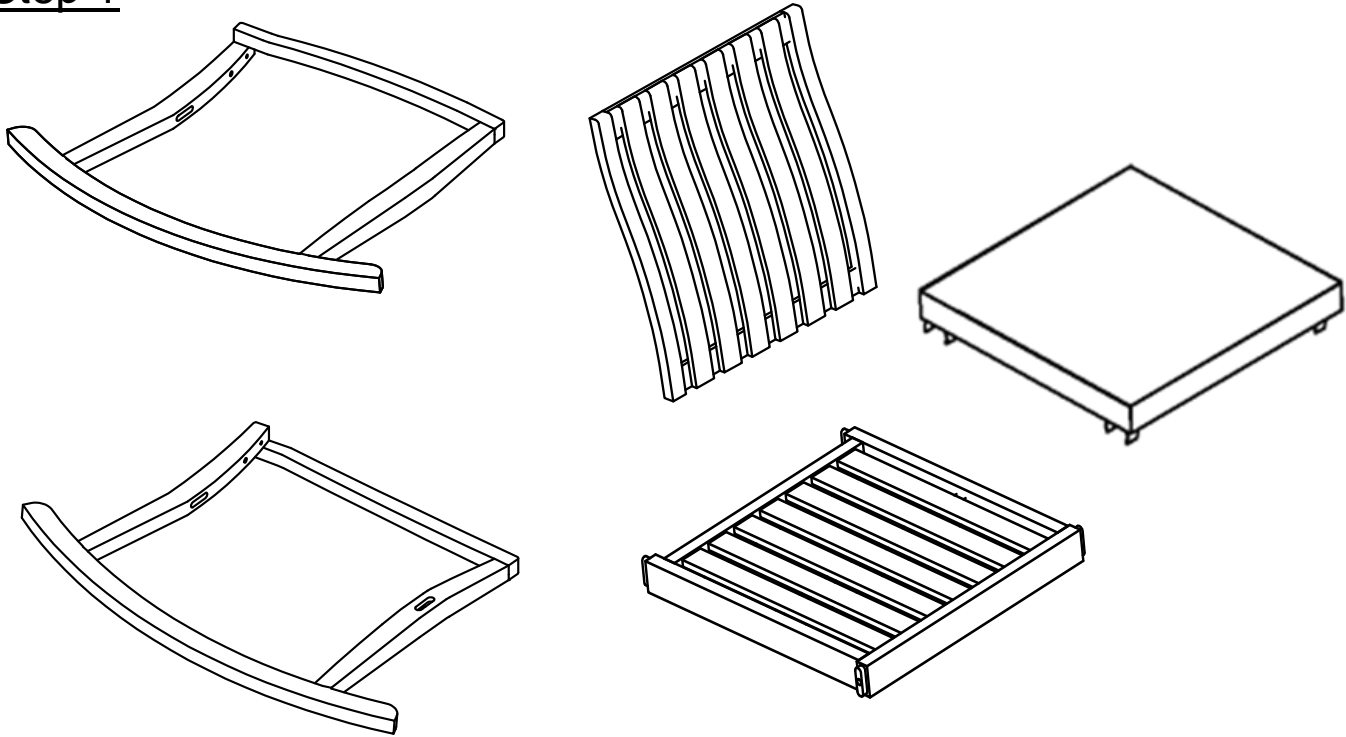
Assembly Steps

Overview



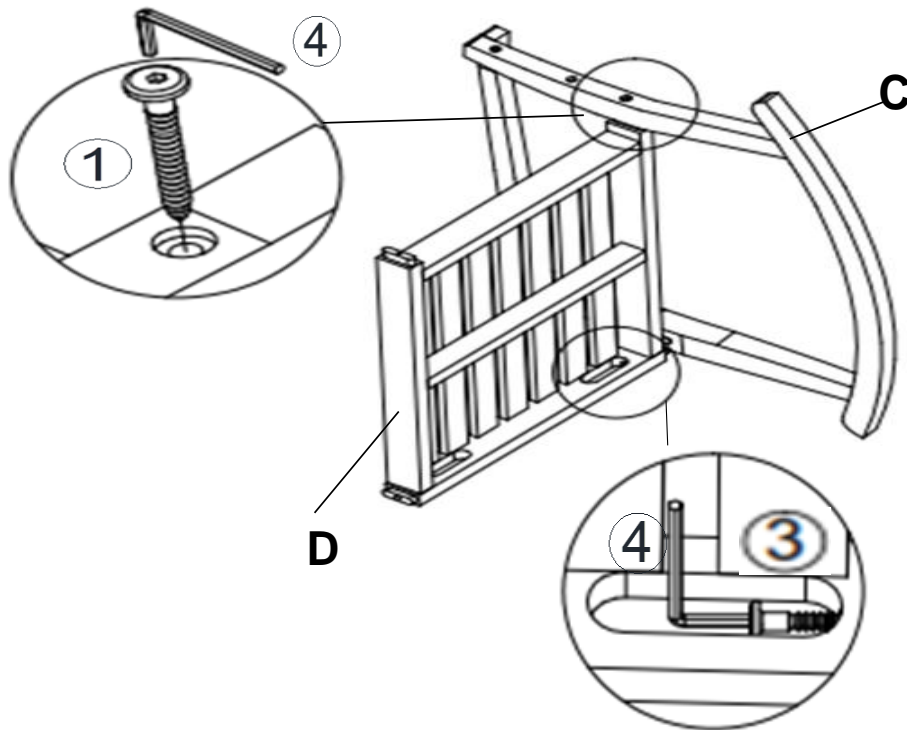
This Rocking Chair has multiple parts and may require up to 30 minutes to assemble. To give you an overview of the Rocking Chair parts, the above picture is to help you put the various parts into perspective. Please read through the instructions below to familiarise yourself with the parts and steps before assembly.

Step 1



Unpack and place all parts on a clean, non-marring surface.

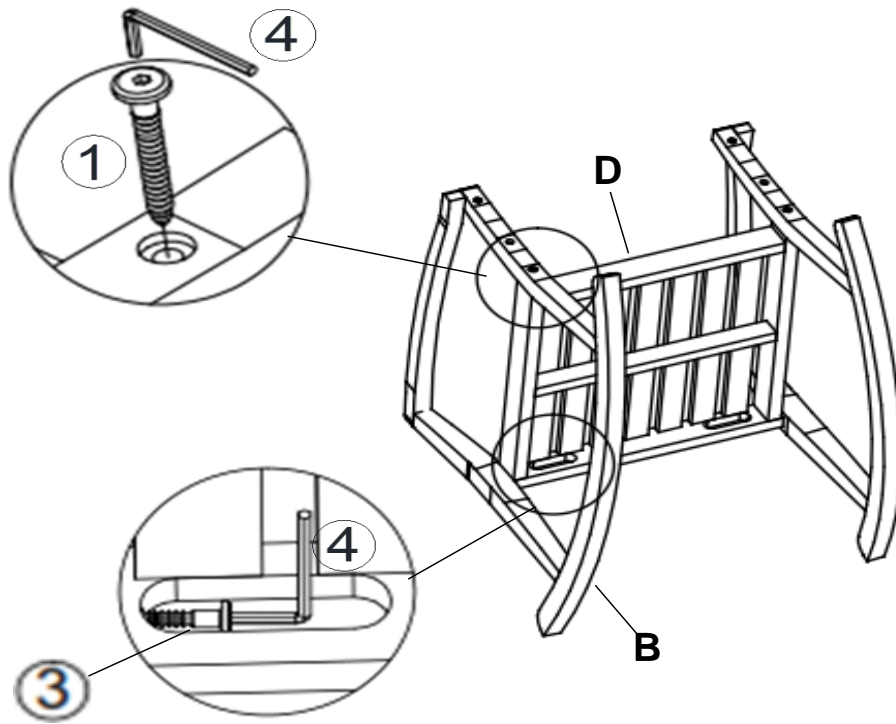
Step 2



Align Seat Panel(D) with Left Leg Panel(C) as shown above.
Attach Seat Panel(D) to Left Leg Panel(C) using Screw(①), and Bolt(③) with Allen Wrench(④).

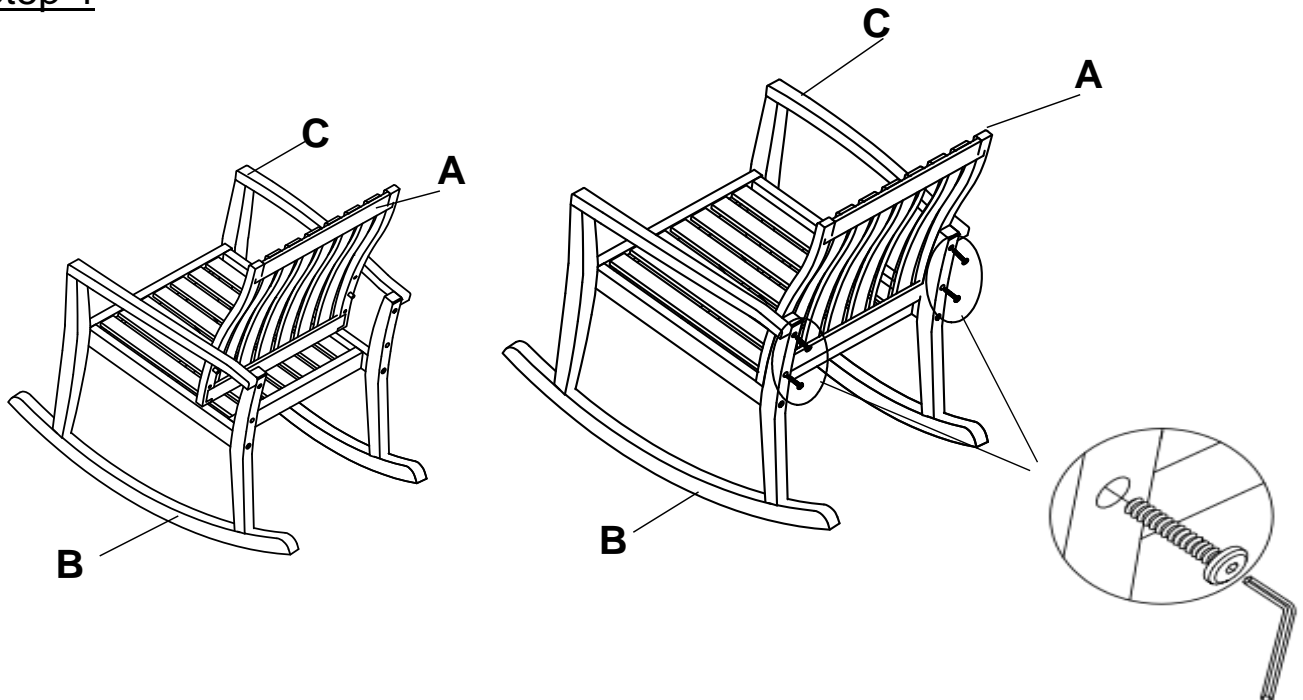
Do not fully tighten the Screw and Bolt.

Step 3



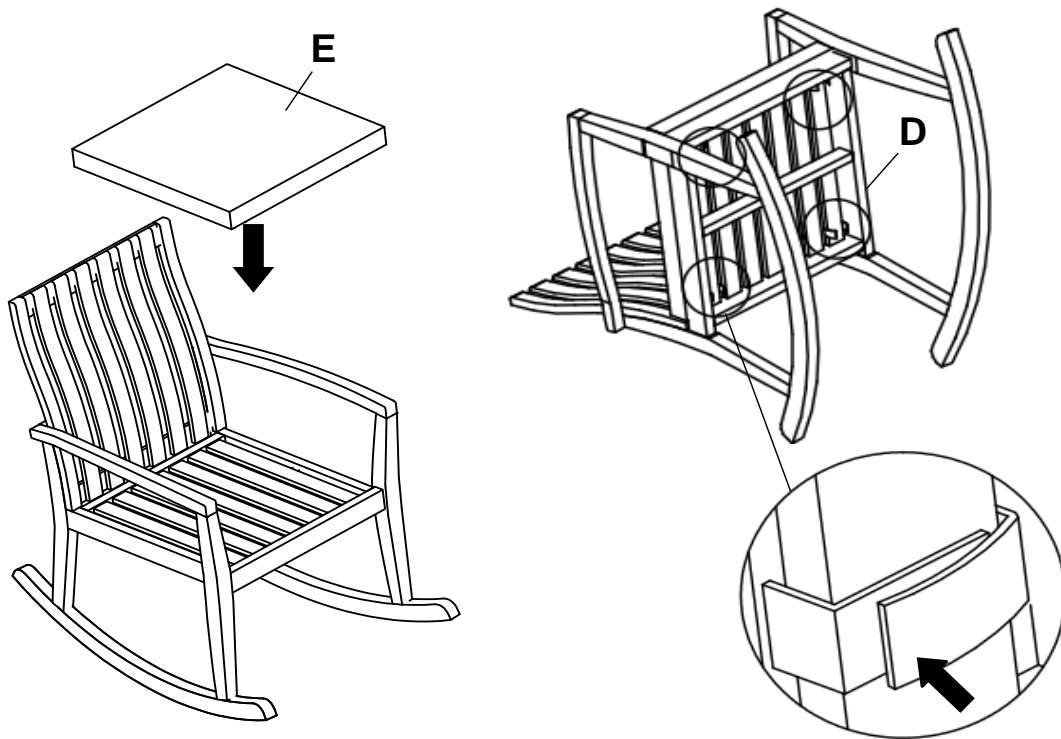
Align Seat Panel(D) with Right Leg Panel(B) as shown above.
Attach Seat Panel(D) to Right Leg Panel(B) using Screw(①), and Bolt(③) with Allen Wrench(④).
Do not fully tighten the Screw and Bolt.

Step 4



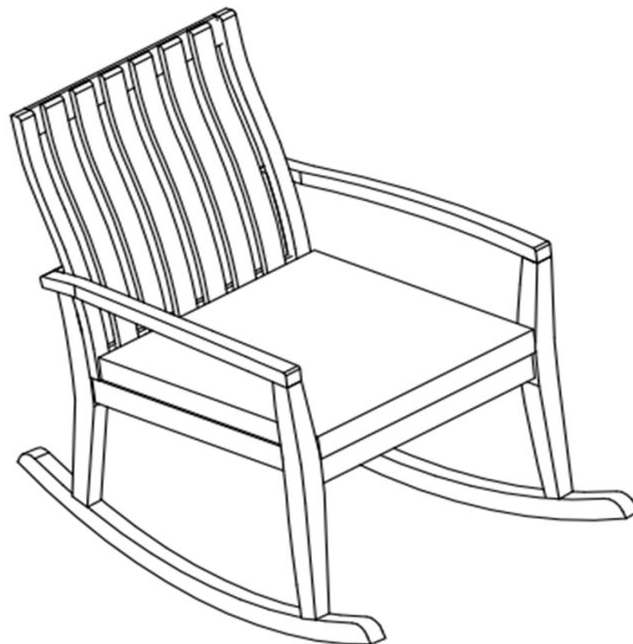
Attach Backrest Panel(A) to Right Leg Panel(B), Left Leg Panel(C), and Backrest Panel(A) using Bolts(②) with Allen Wrench(④).
Do not fully tighten the Bolts.

Step 5












Exert pressure floorwards, onto the Rocking Chair with both your hands. This pressure will help the Rocking Chair reach full alignment at all joints. In a sequential manner, gradually tighten all Screws and Bolts until evenly secured. Inspect the Rocking Chair and make sure all parts are adequately connected. Place Seat Cushion(E) onto the Rocking Chair. Lay the Rocking Chair down and Stick the Magic Tape straps of the Cushion(E) under the Seat Panel(D) as shown above.

Step 6



Your Rocking Chair is ready for use.
This Rocking Chair can only be used on a flat, level surface.

Care & Maintenance

- ⊘  ● Do not put hot items directly on furniture surface.
- ⊘  ● Do not clean furniture with harsh cleansers or polish.
- ✓  ● To obtain the longest lifespan of your outdoor products, minimizing exposure to direct sunlight is recommended.
- ⊘  ● Children should not climb or jump on the furniture.
- ⊘  ● Do not write on furniture without a padded barrier to protect the surface.
- ✓  ● To obtain the longest lifespan of your outdoor products, avoid extended and lengthy exposure to rain, snow, and direct sunshine. Whenever possible cover the product and /or place under patio or awnings.
- ⊘  ● Not for commercial use. For residential use only.
- ⊘  ● Stains may be removed with mild soap solution and damp cloth.
- ✓  ● Dust and pick-up spills using a clean, non-colored, lint-free cloth .