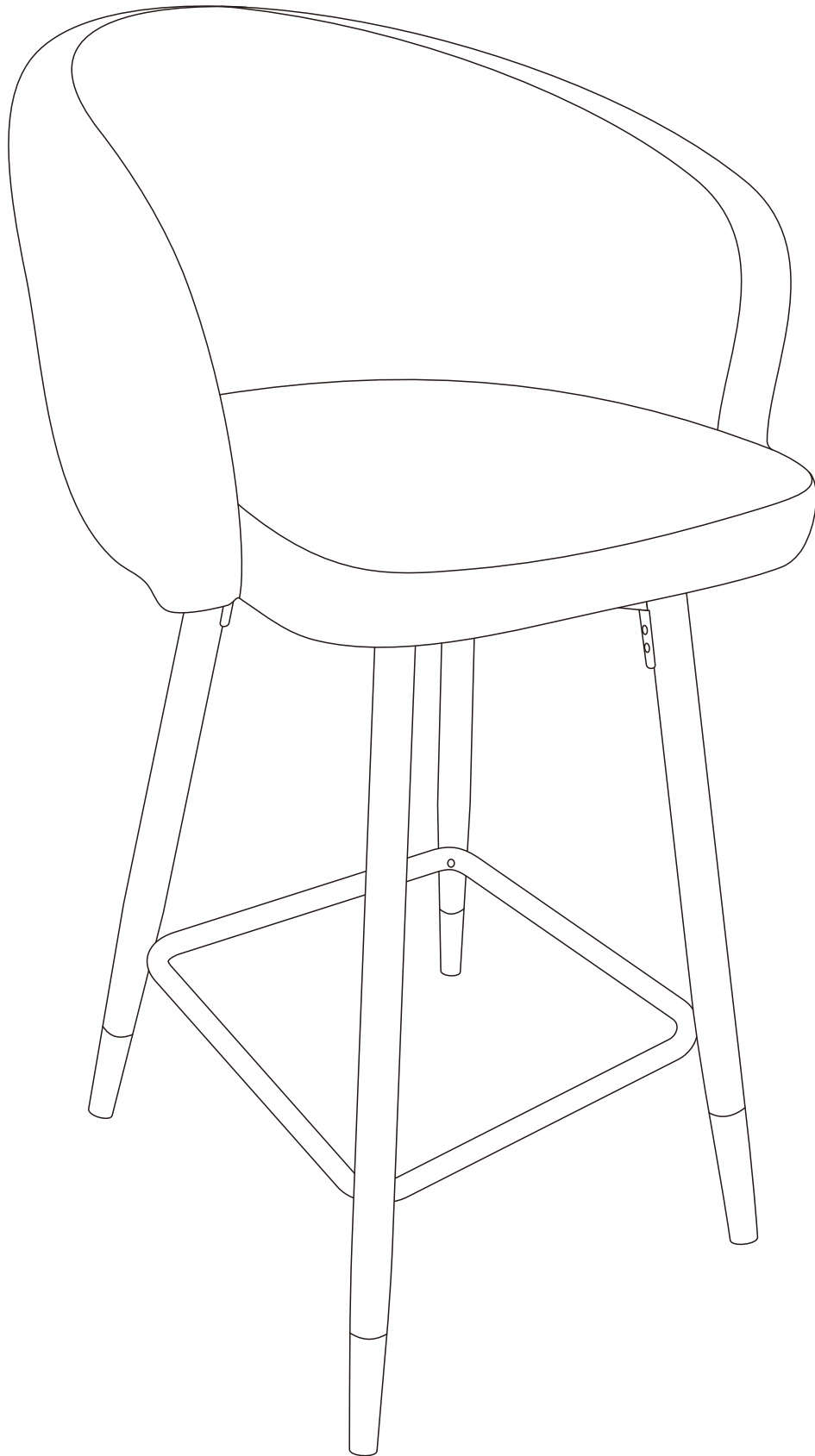


Assembly Instruction

Counter stool



Thank you for choosing our product.

We are committed to delivering exceptional customer service to ensure your satisfaction.

Parts Confirmation:

- Upon unpacking, verify that all parts listed in the manual are present.
- If any parts are missing or incorrect, please notify us immediately. We will promptly arrange replacements, or other solutions to ensure the issue is resolved.

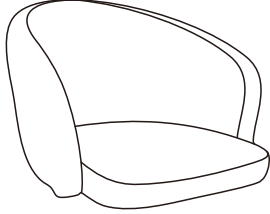
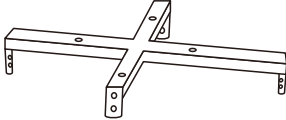

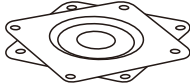
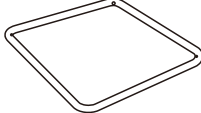
Assembly Guidance:



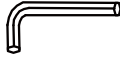



- Carefully review the instruction manual before assembly.
- The manual has detailed steps, but it might not cover all situations. If you need help or have questions, contact us and we'll respond quickly.

Shipping Note

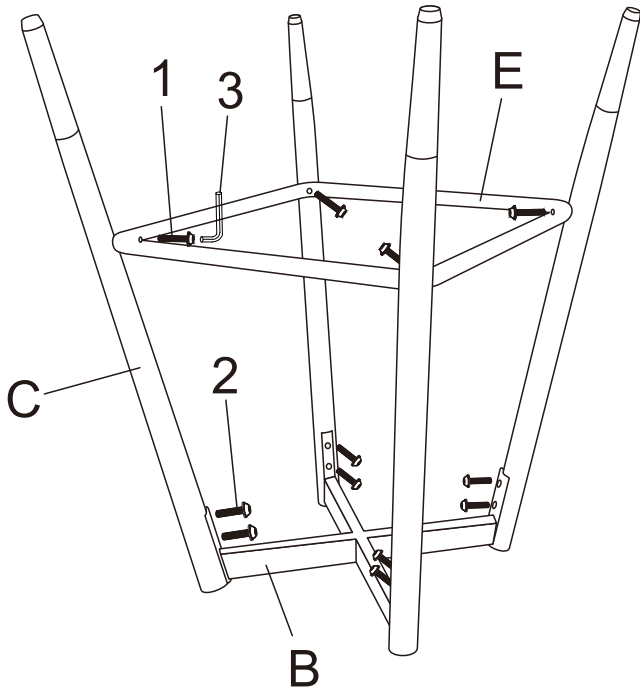
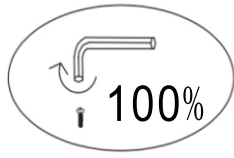
- If you purchased multiple packs, kindly note that the items in your order might come in separate packages. We appreciate your patience during delivery.

Parts List

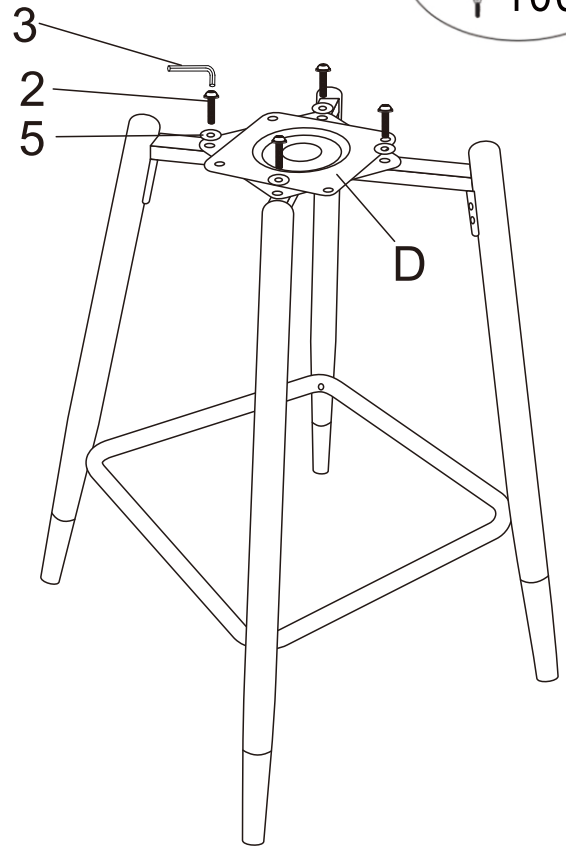
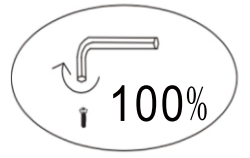
Number	Name	Part	Qty
A	Seat		X1PC
B	Cross Frame		X1PC
C	Leg		X4PC
D	Swivel Hardware		X1PC
E	Pedal		X1PC

Number	Hardware	Part	Qty
1	Bolts (M6X25mm)		X8+1EXT
2	Bolts (M6X16mm)		X12+1EXT
3	Allen key		X1PC
4	Foot		X1PC
5	Washer (6X8x1.5)		X8+1EXT
6	Washer		X4+1EXT

01



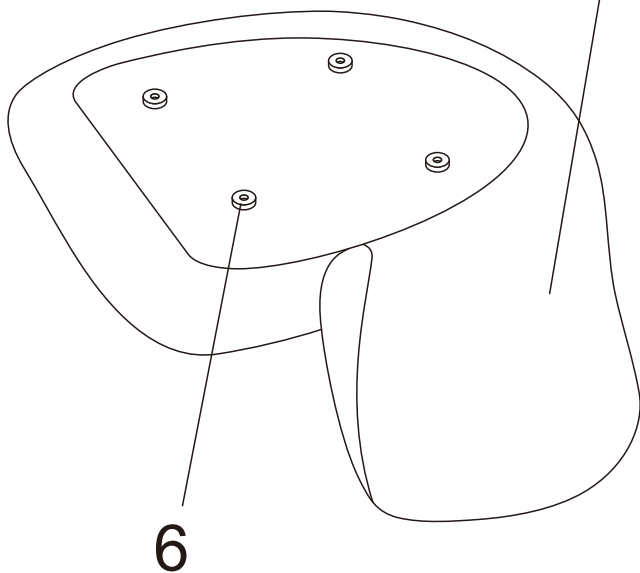
02



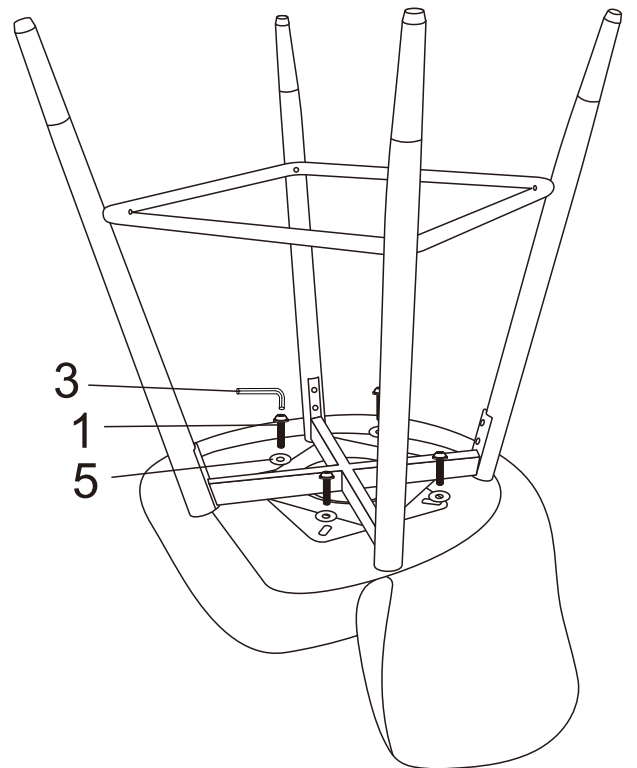
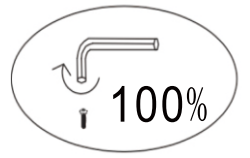
03

Place the No. 6 washer on top of the four holes.

A

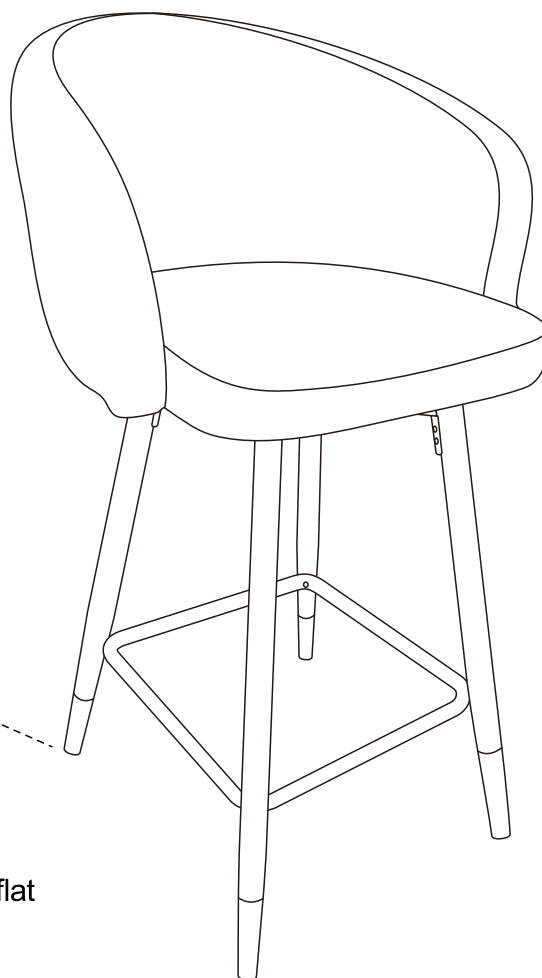
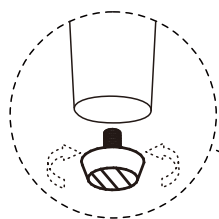


04



Assembly Complete




Foot levelers







Note:

Each leg has an adjustable foot leveler to help level your chair. Rotate it to ensure the chair is flat on the floor!

Safety Guidelines

-  Periodically inspect and tighten bolts to prevent loosening during use.
-  Ensure all hardware remains securely fastened before using.
-  Do not allow children to climb or jump on the stool.

Care Instructions

-  Avoid placing hot items, direct sunlight, or harsh chemicals on the furniture.
-  Wipe dust with a soft, clean, lint-free cloth.
-  Use adjustable foot levelers on each leg to stabilize the chair on uneven floors.
-  Note: Indoor Use Only: Do not place the furniture outdoors or in damp environments.

Thank you for your purchase