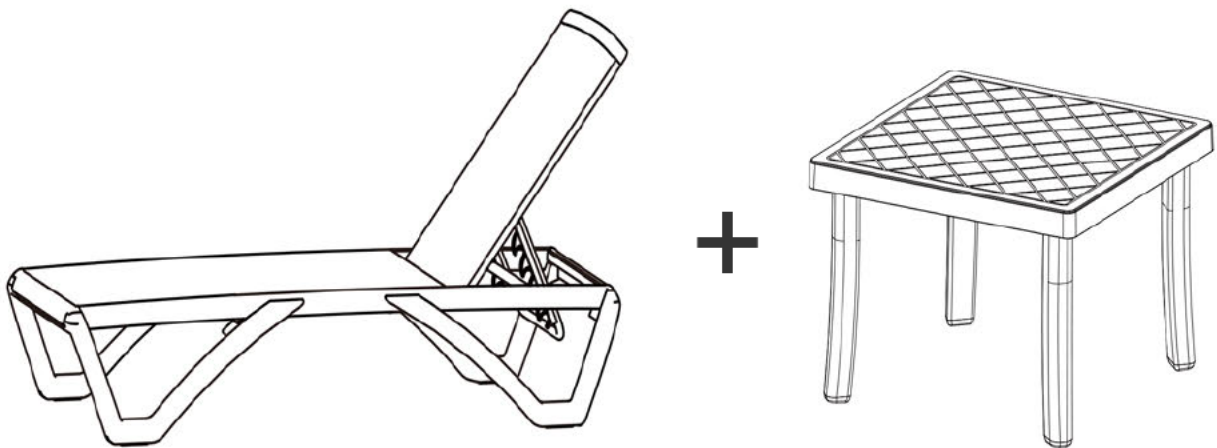
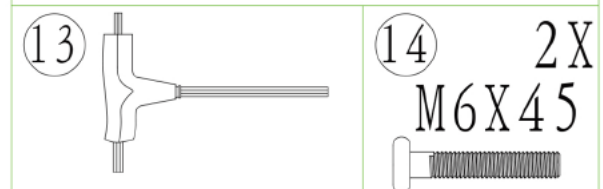
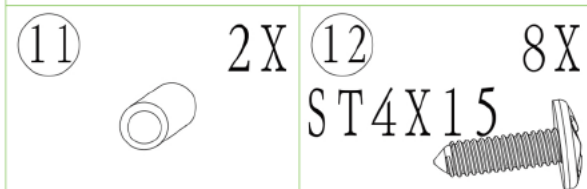
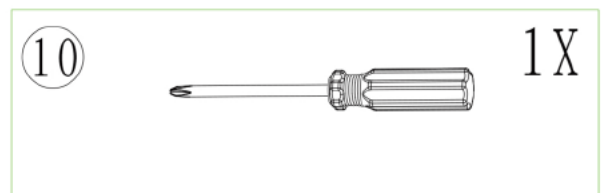
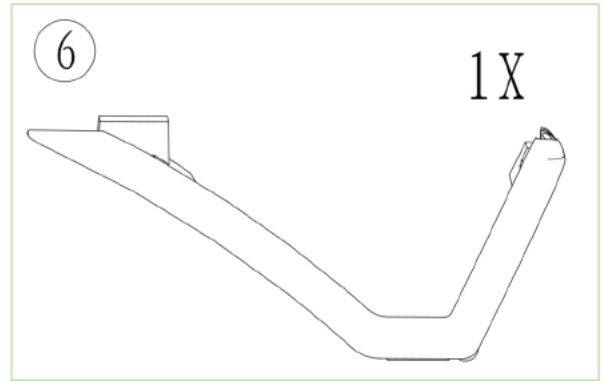
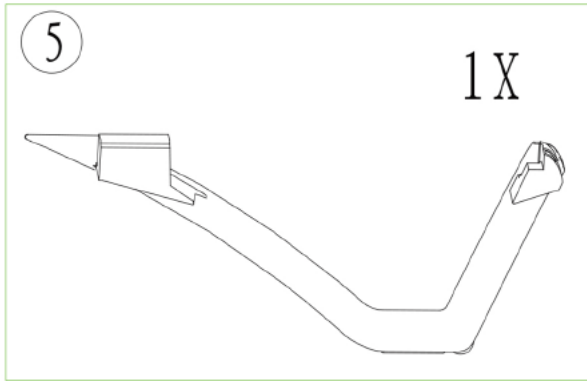
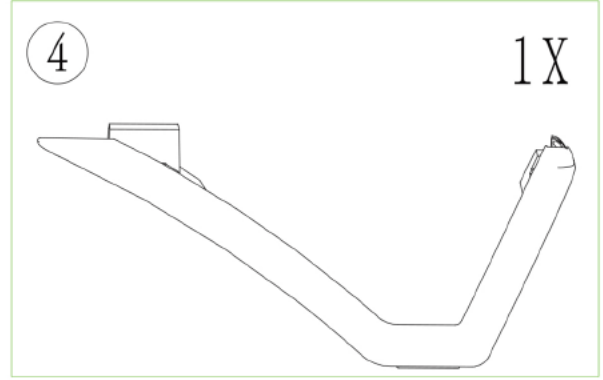
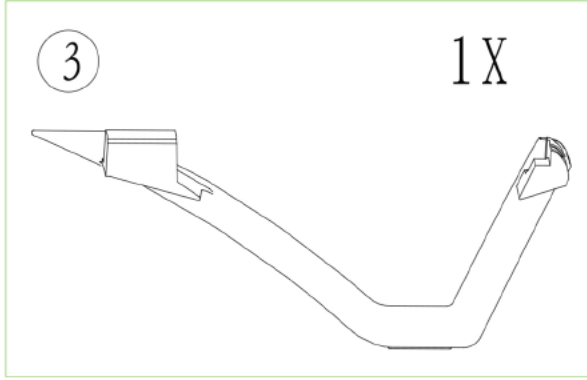
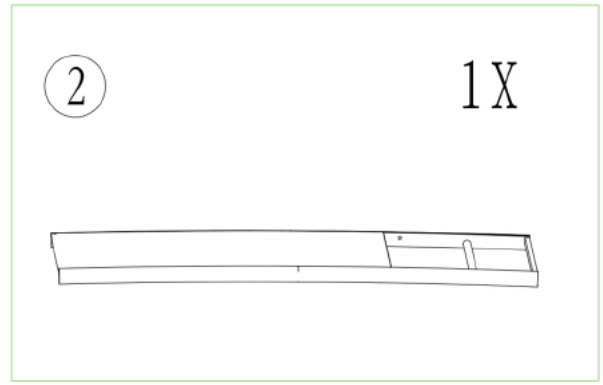
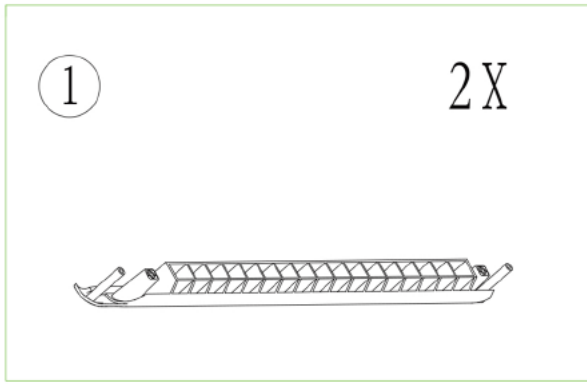


# Patio Chaise Lounge Chair With Table Assembly Manual



- Prior to assembly, please confirm all of the parts listed included.
- All bolts should be tightened before use. Maybe, you need allen wrench for assembly.
- Missing Part? Damaged? Contact us via email at [domiservice01@outlook.com](mailto:domiservice01@outlook.com).

Lounge Chair  
Part List:



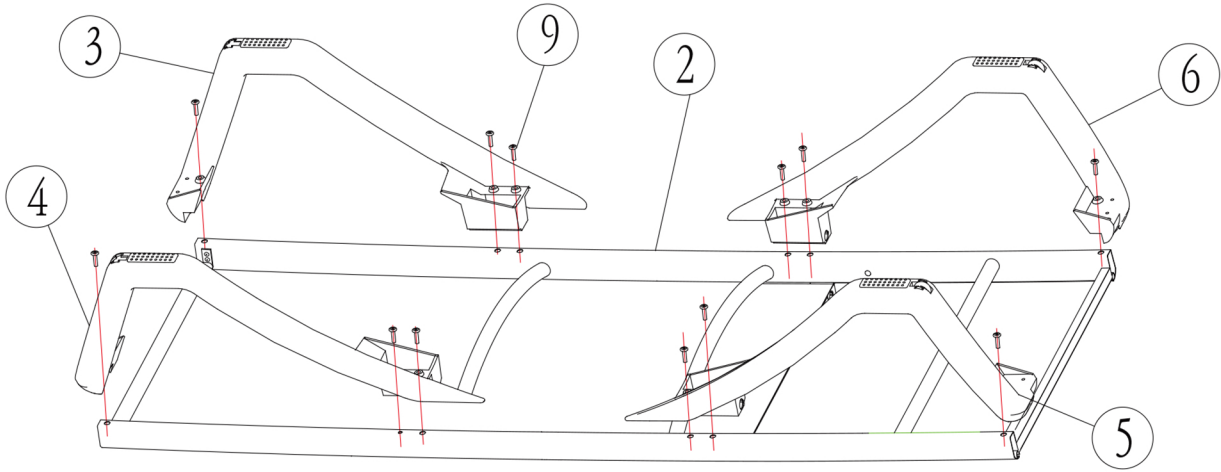
1

Friendly tip: Please do not completely tighten the screws during assembly. After all the screws are assembled in place, tighten them together.

## STEP - 1

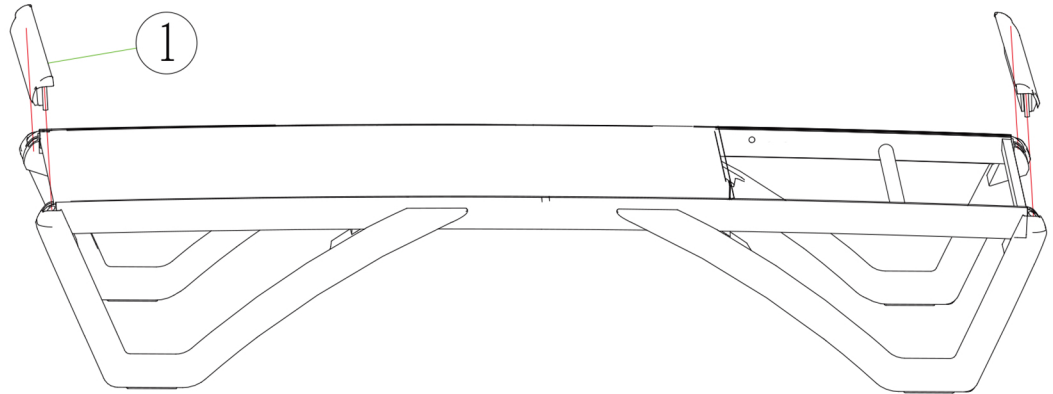
Fix 4 legs (Parts 3, 4, 5, 6) to Part 2 separately using Bolt 9 as shown in diagram.

Note: The legs with wheels are installed in the back.

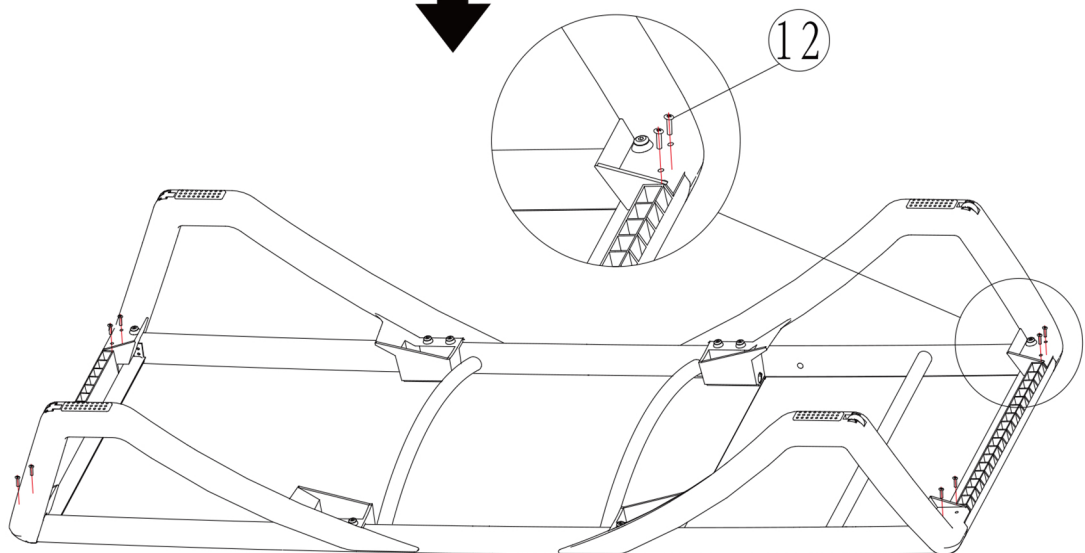


## STEP - 2

Install Part 1 to the legs as shown in diagram.



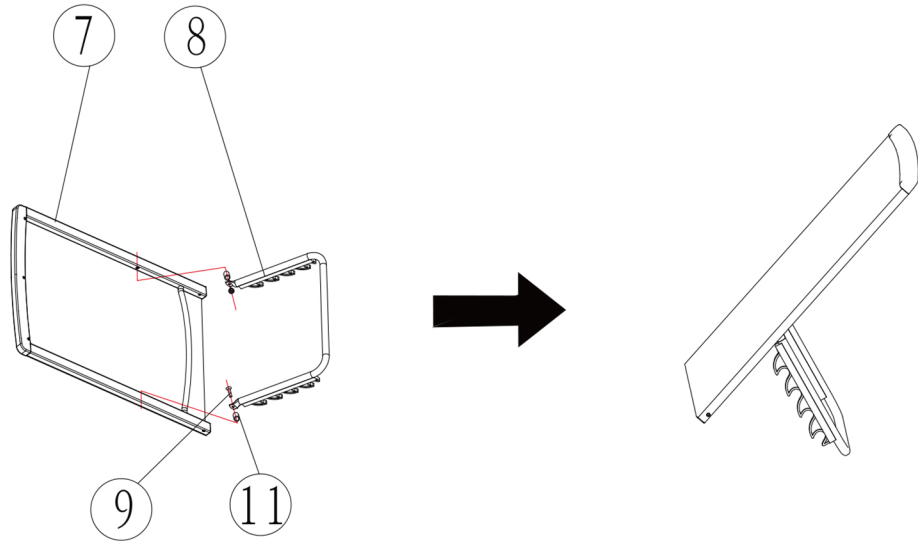
Turning it around, attach part 1 to the legs using Screws 12.



### STEP - 3

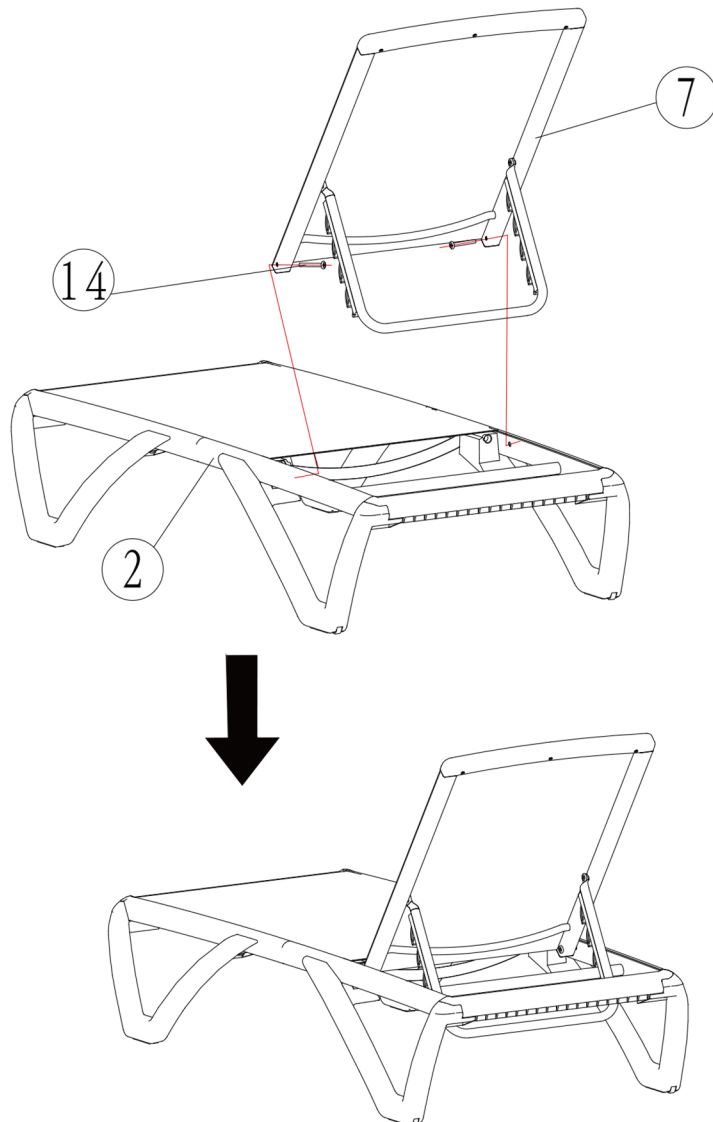
Connect Part 8 to Part 7 using Bolts 9 as shown in diagram.

Please note: The Plastic cylinder Part 11 must be between Part 7 and Part 8.





### STEP - 4

Connect Part 7 to Part 2 using Bolts 14 as shown in diagram.

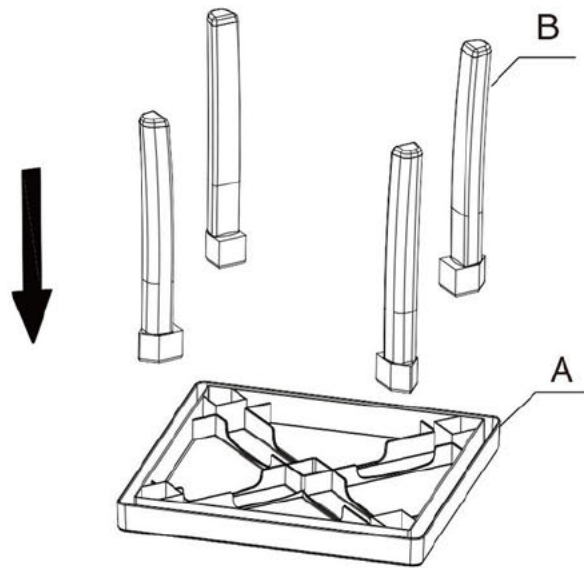


# Table Assembly Manual

## Part list

	A
Table Top	1pcs
	B
Leg	4pcs

**Step 1:**  
Insert Part B(four legs) to Part A(table top).



**Step 2:**  
Set the chair straight.

