


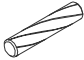
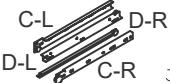






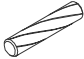

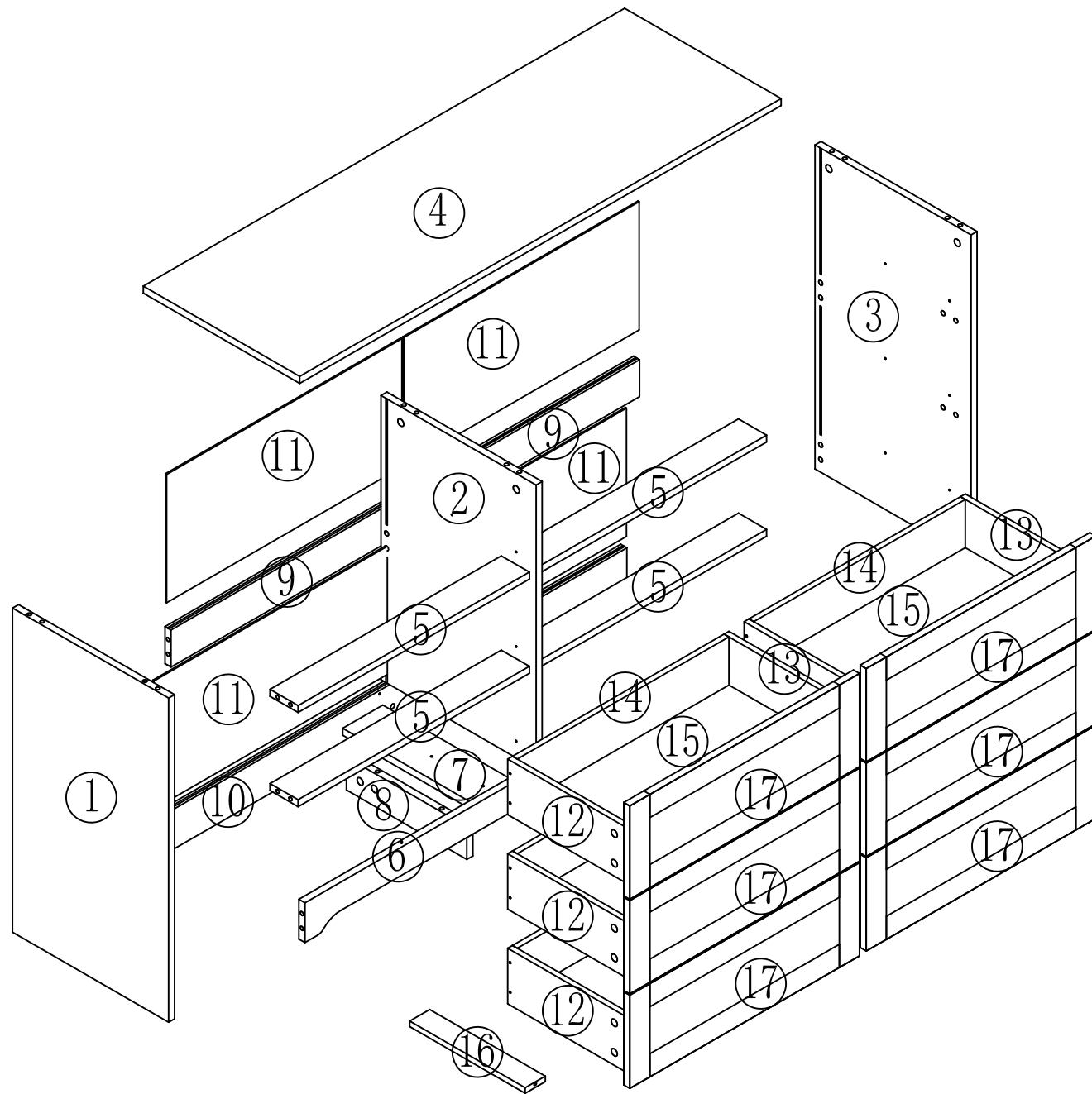
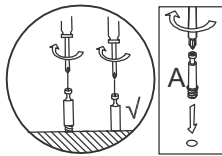
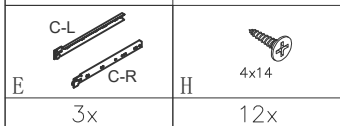
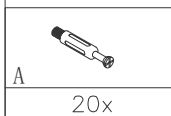
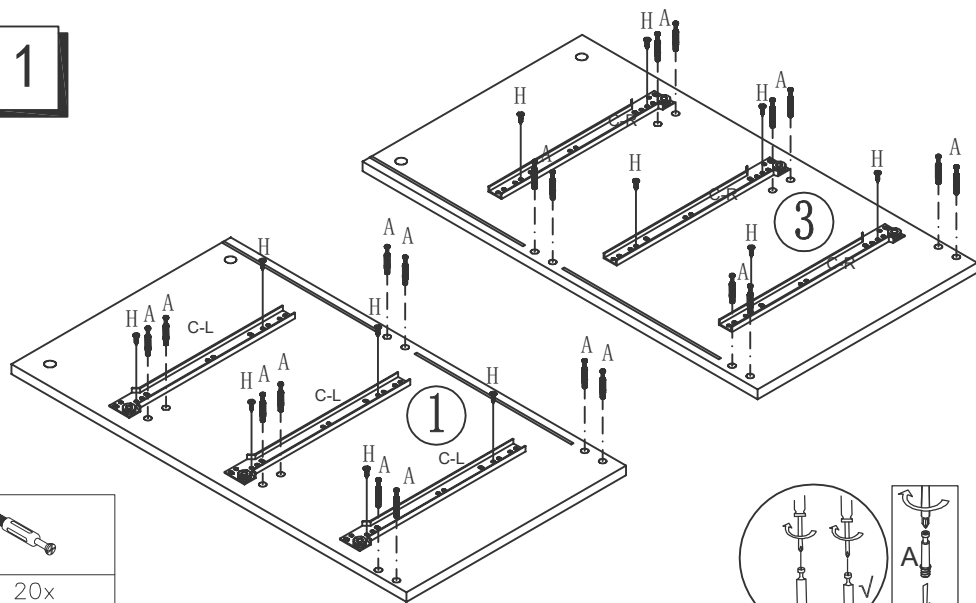


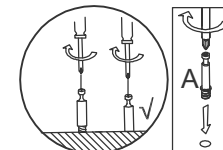
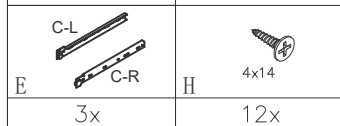
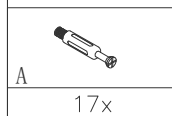
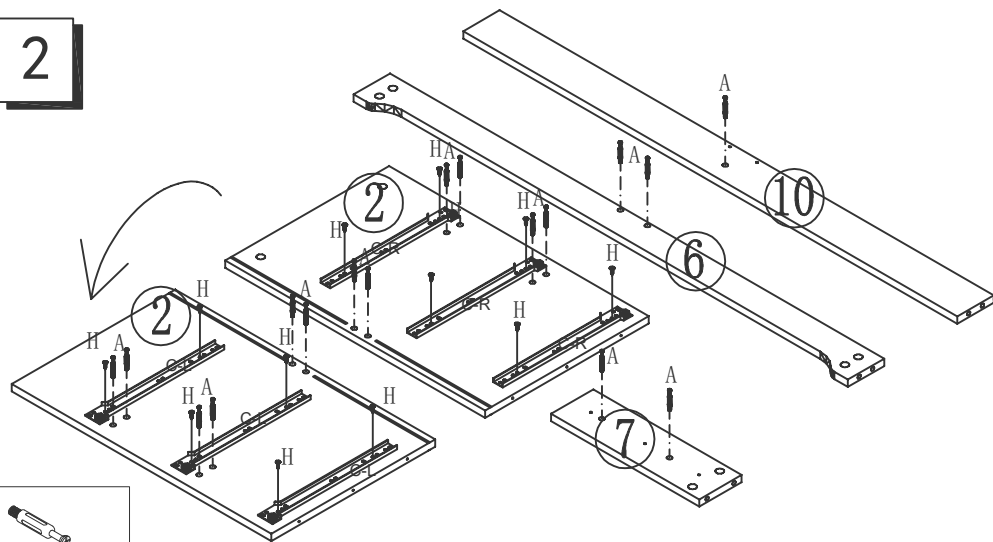
NO.	LINEDRAWING
A×67	
B×43	 φ15x12
C×24	 φ15x9
D×6	 φ8x40
E×6	 300mm
F×6	 8mm
G×6	
H×64	 4x14
I×29	 3.5x35
J×4	
K×2	
L×12	 φ6x30
M×16	



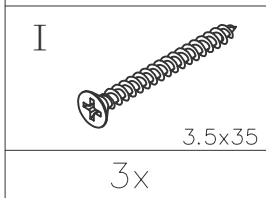
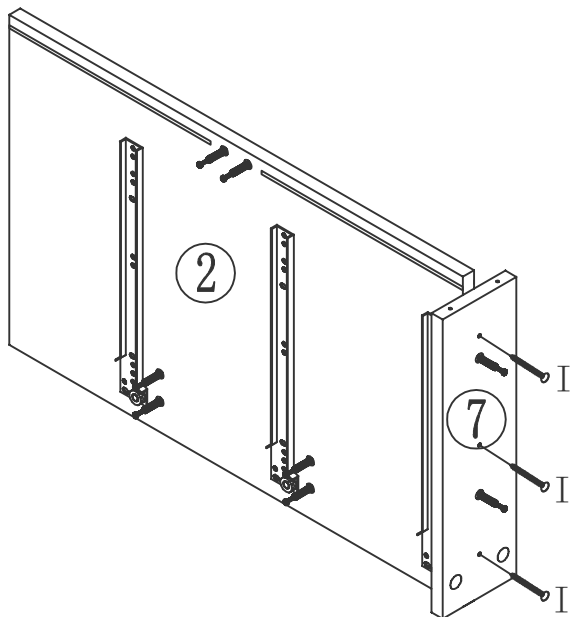
1



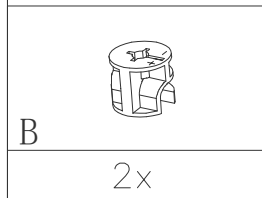
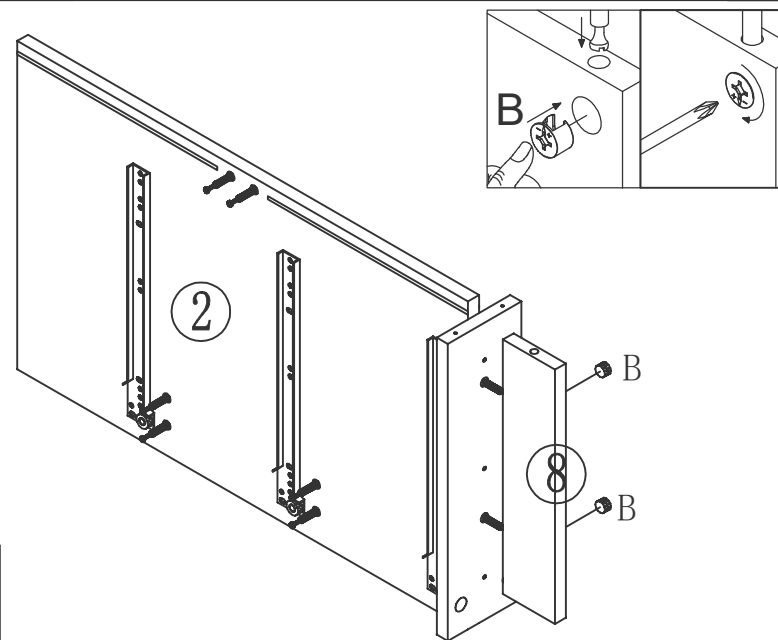
2



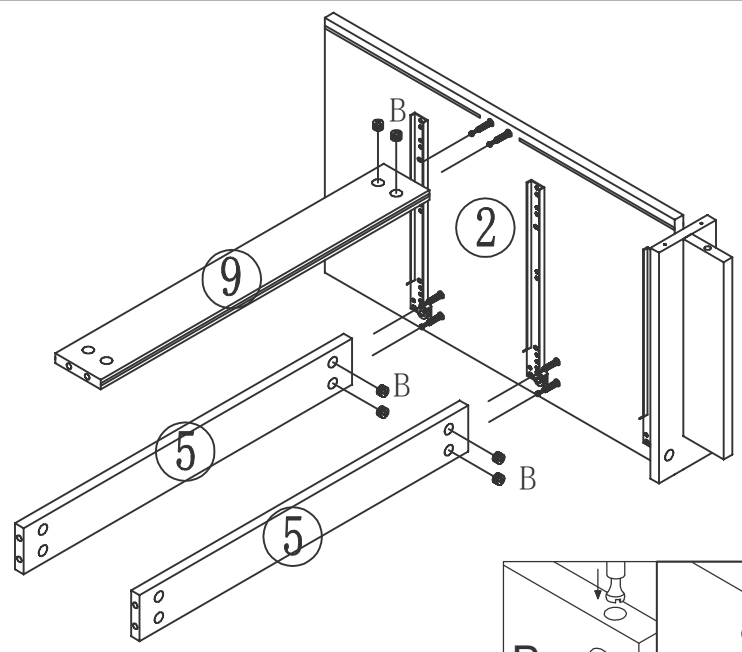
3




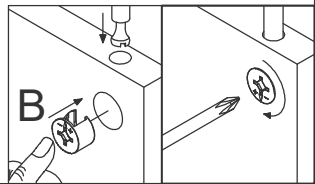
4



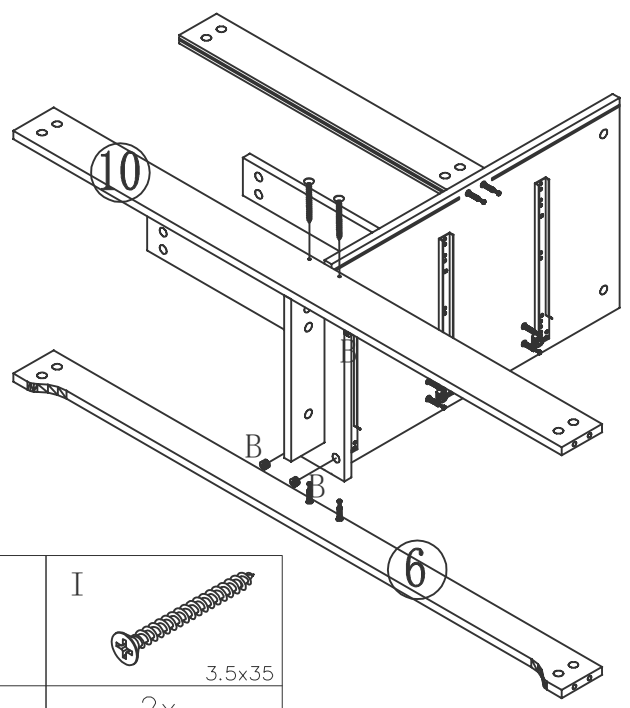
5





B
6x

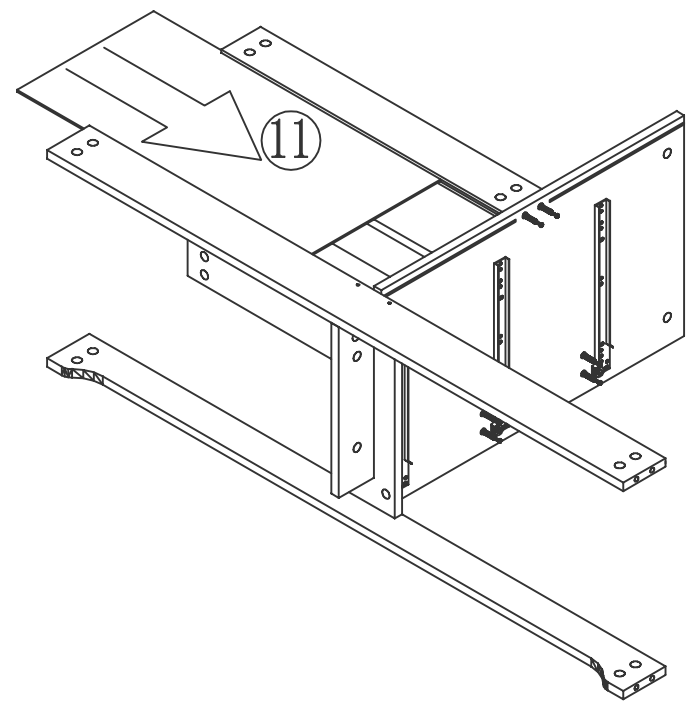


6

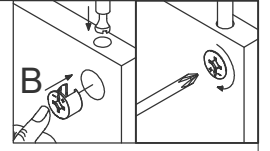
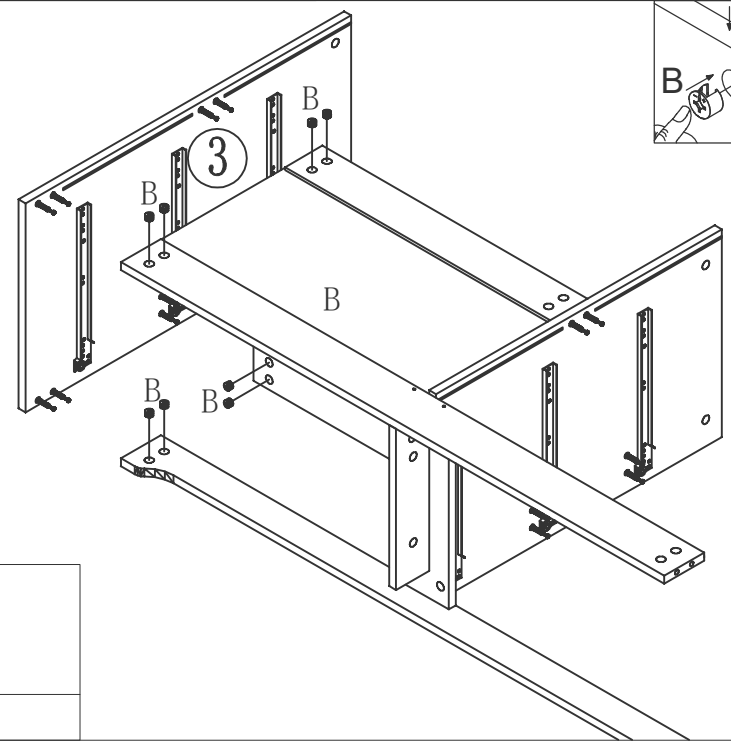



	I
B	3.5x35
3x	2x

7

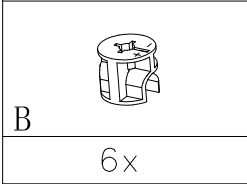
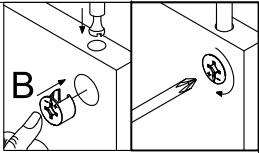
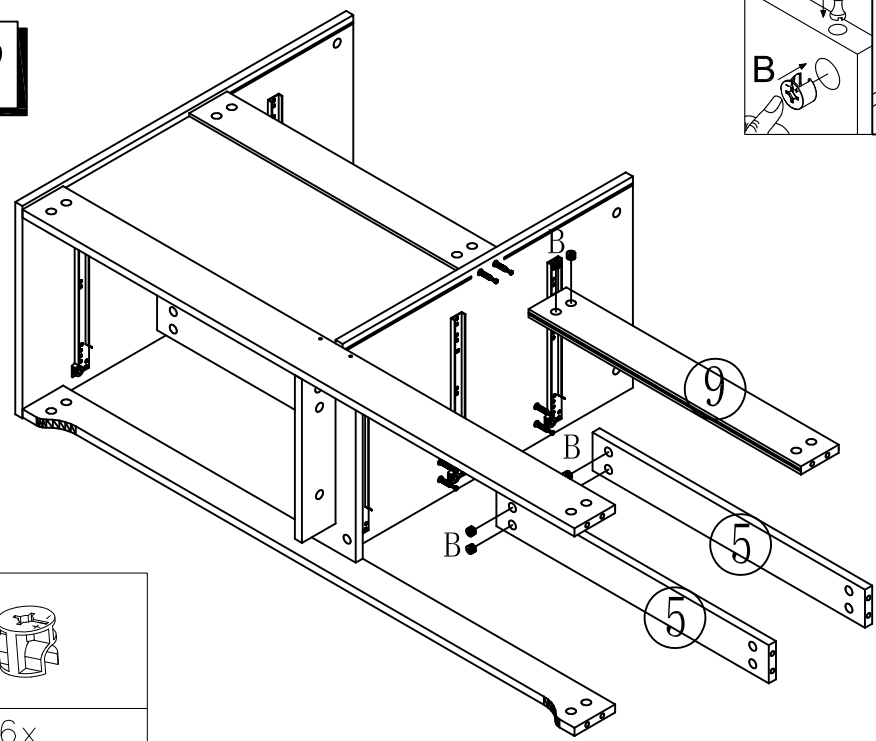


8

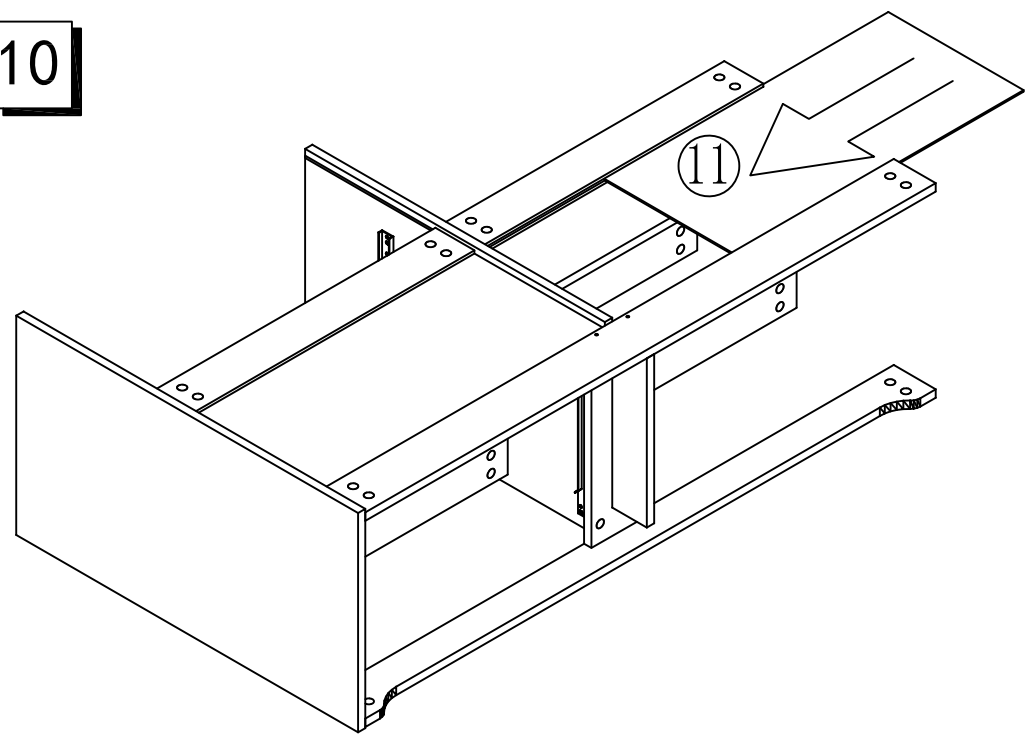



B
10x

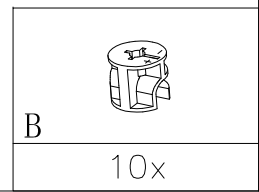
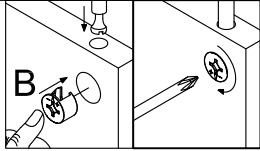
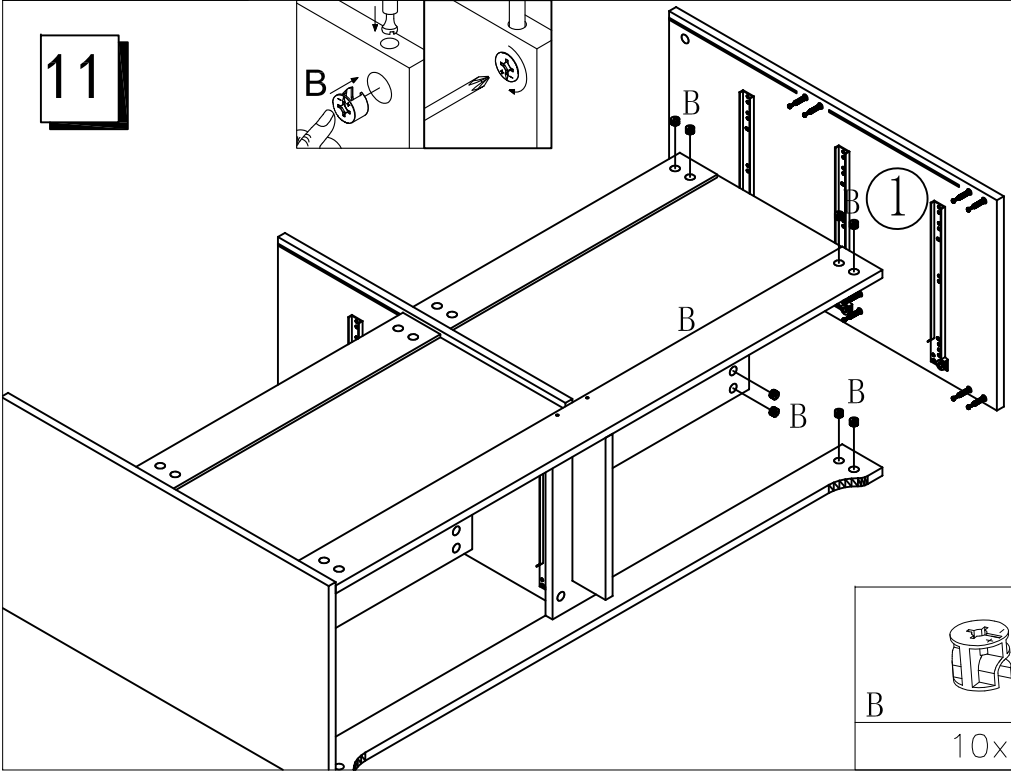
9



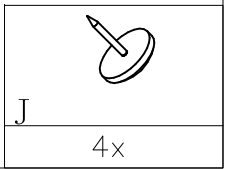
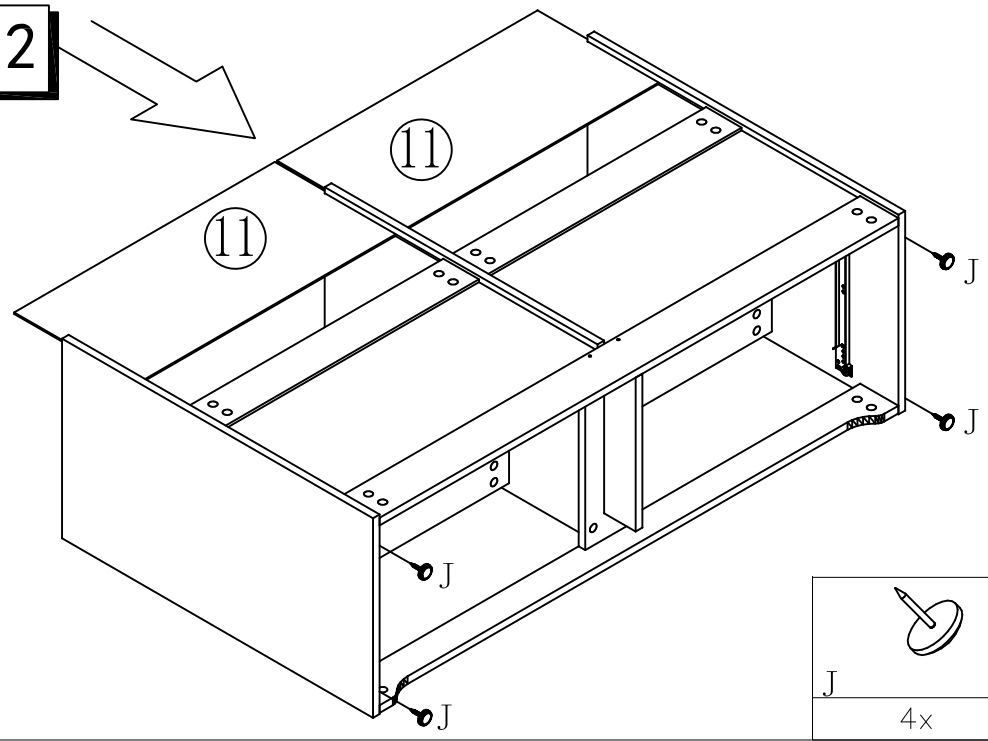
10



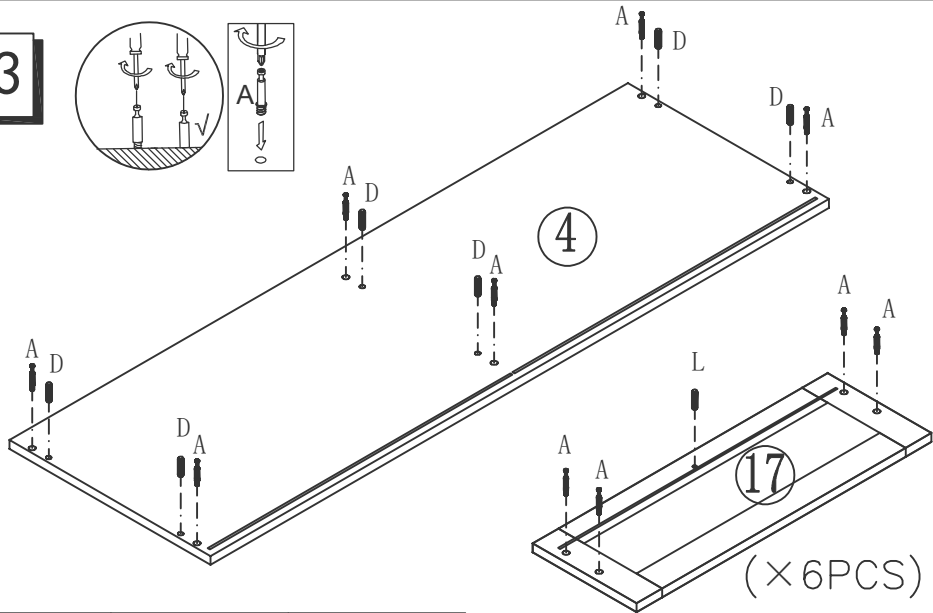
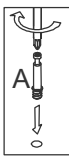
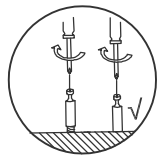
11


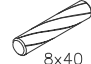



12

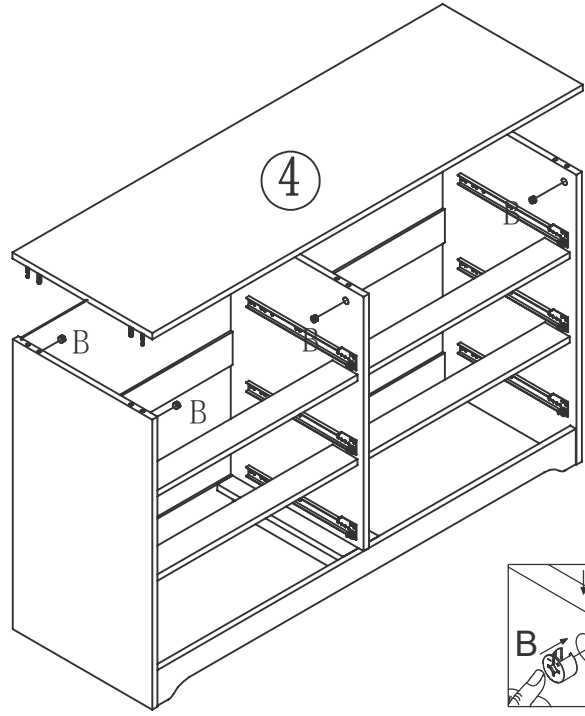



13

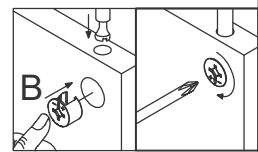


A	D	L
		
30x	8x40 6x	6x30 6x

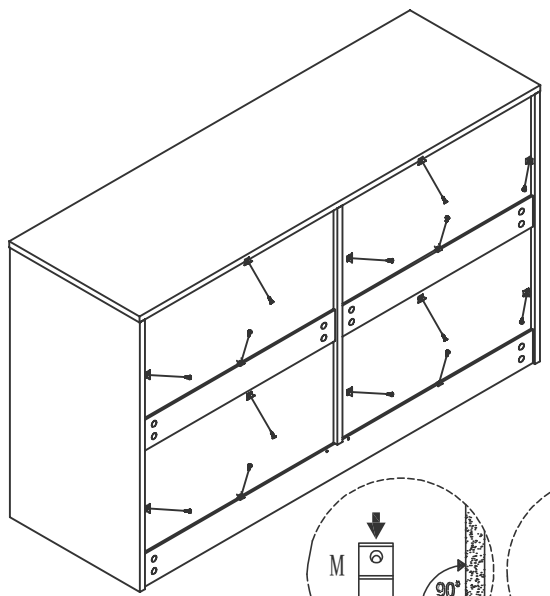
14





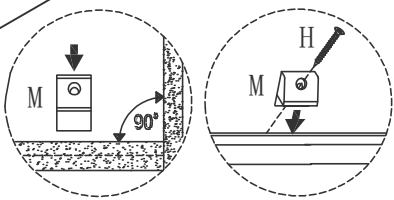
B

6x



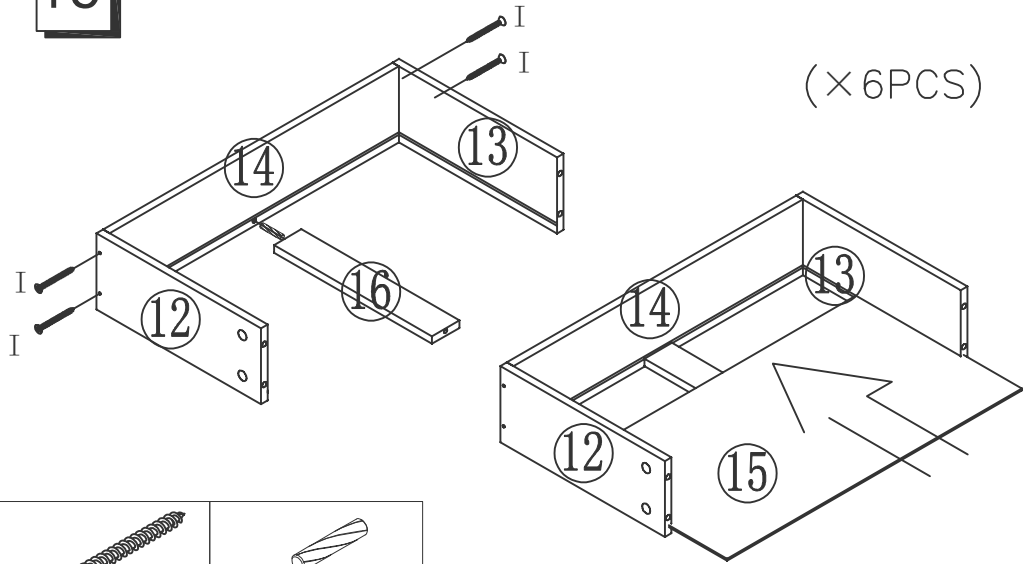
15

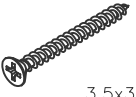



H

4x14 16x
M

16x

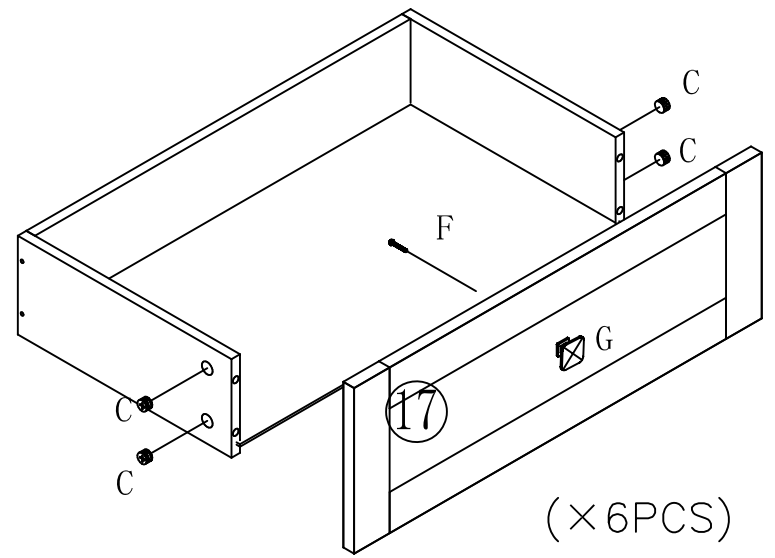





16



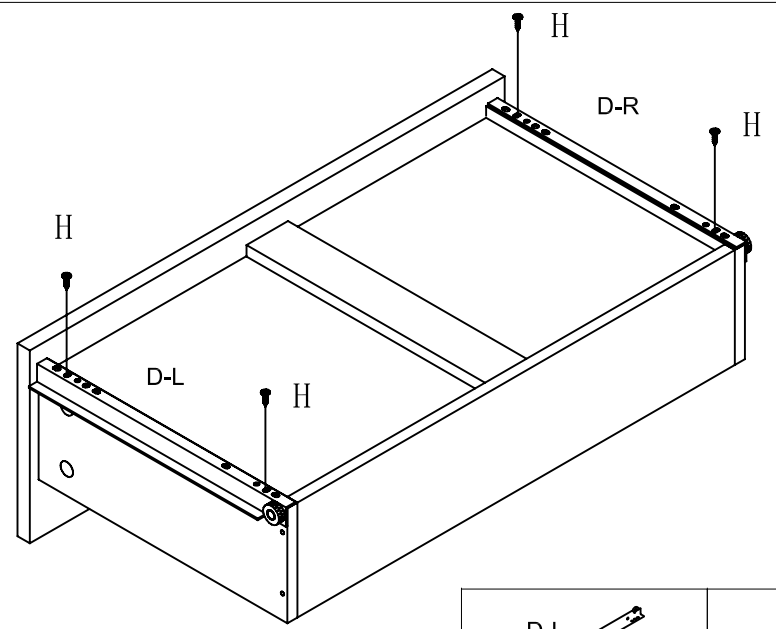
I	L
	
3.5x35 24x	6x30 6x

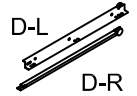

17



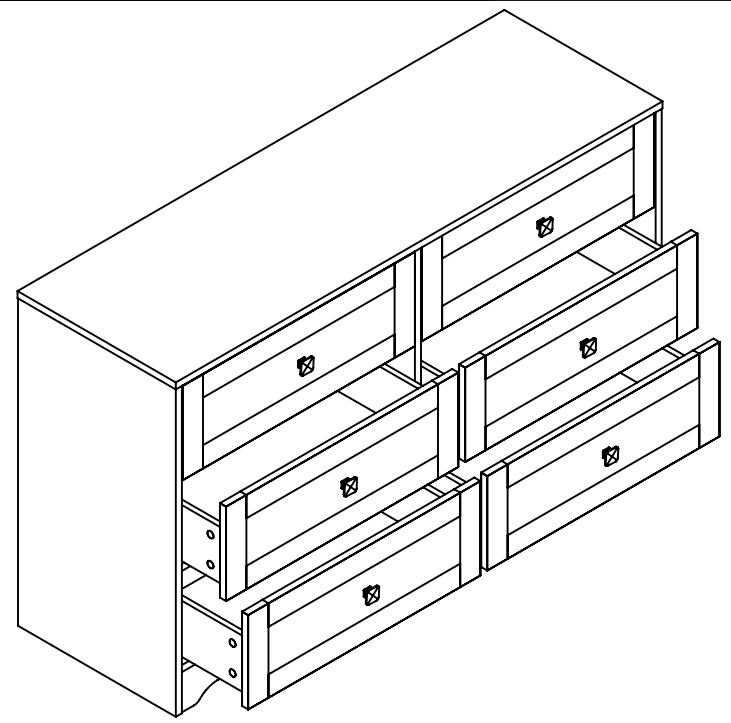
 C 24x	 F 6x	 G 6x
---	--	--

18

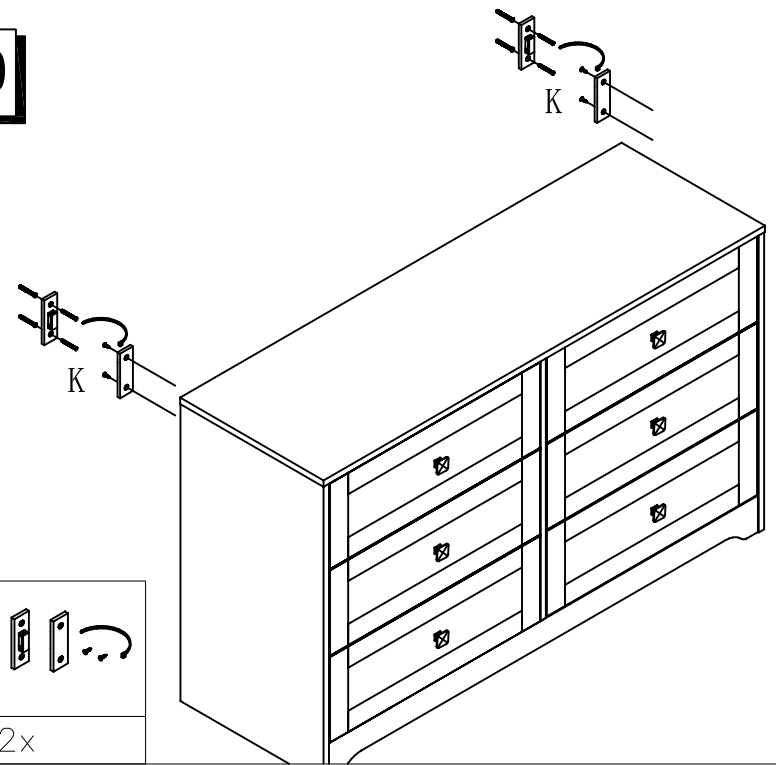


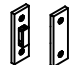
 D-L D-R E 2x	 H 4x14 8x
--	--

19



20



 K 2x
--