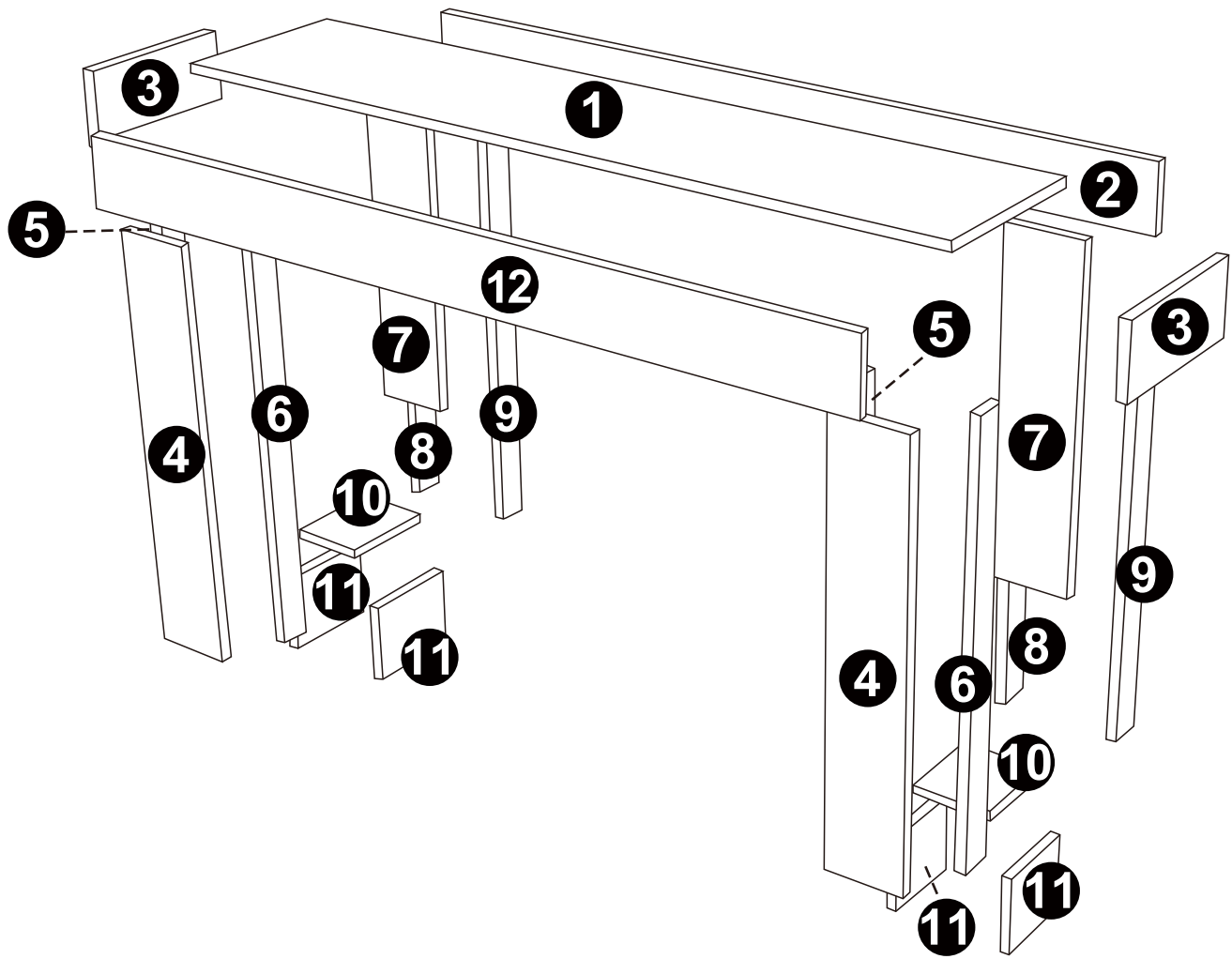


Entryway Table

Instruction Manual



EXPLODED VIEW



PARTS LIST

1 x1



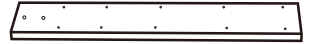
2 x1



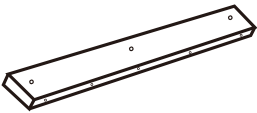
3 x2



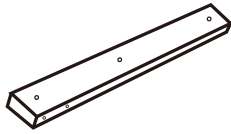
4 x2



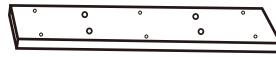
5 x2



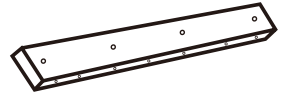
6 x2



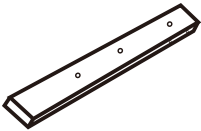
7 x2



8 x2



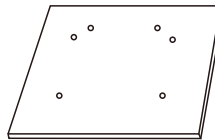
9 x2



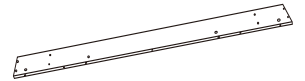
10 x2



11 x4



12 x1



HARDWARE

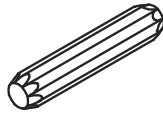
A x68+1



B x68+1



C x22+1



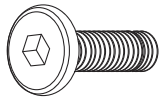
D x8+1



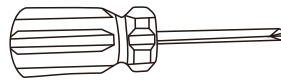
E x1



F x4+1



G x1



H x8+1

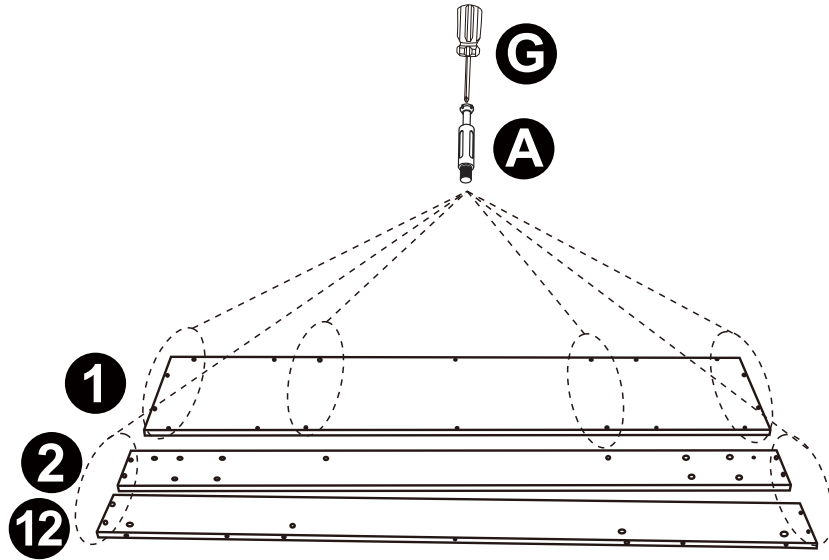
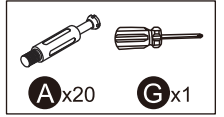


I x68+1

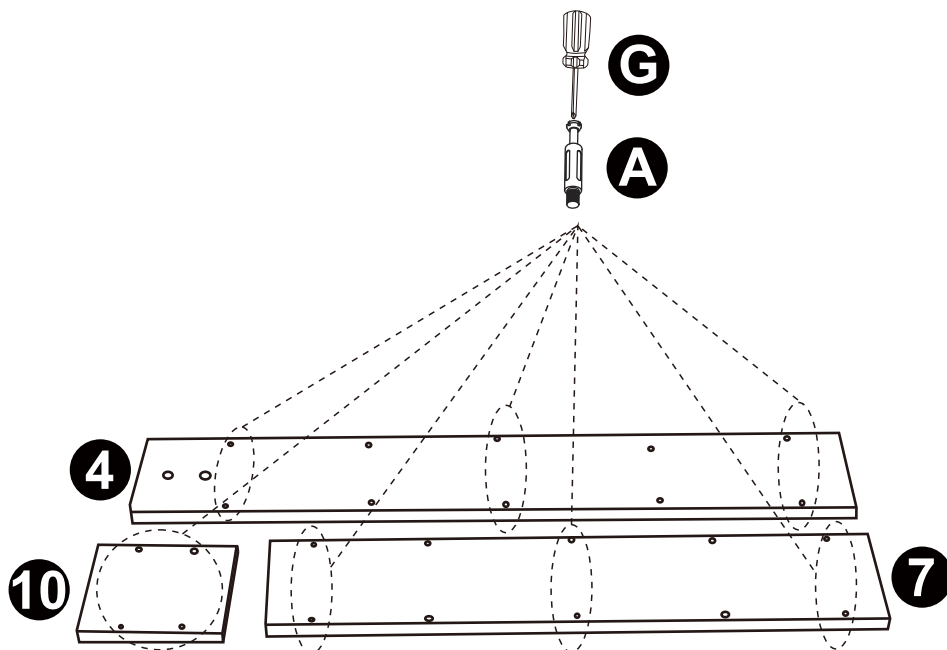
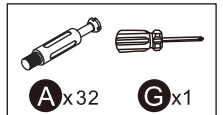


ASSEMBLY INSTRUCTION

STEP 1

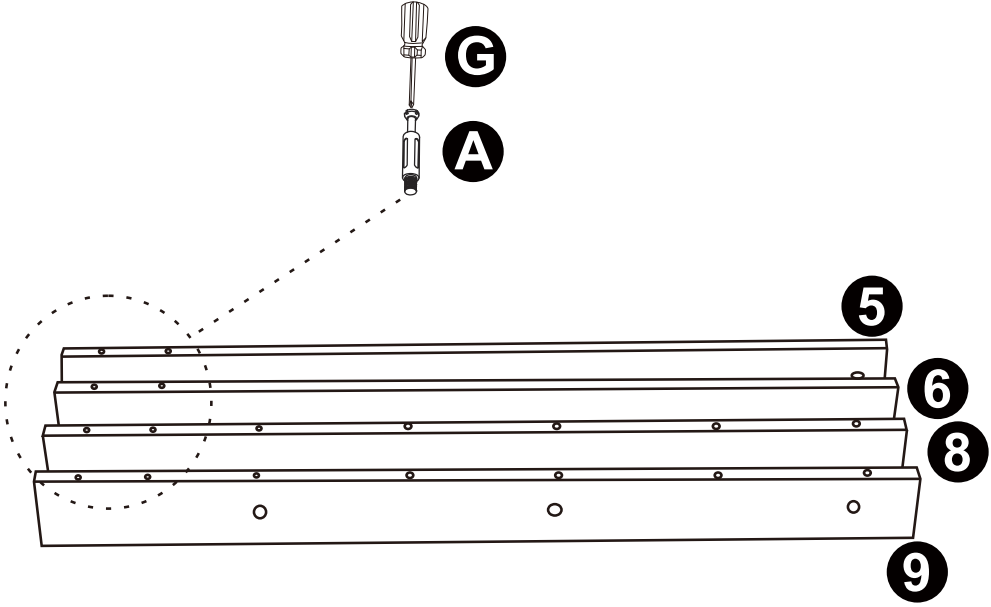


STEP 2

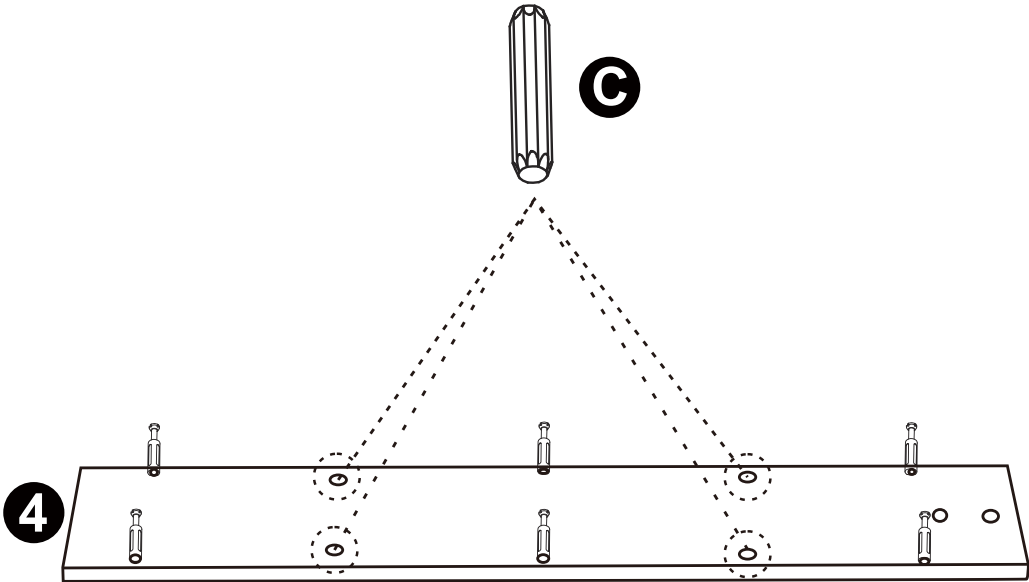


X2

STEP 3

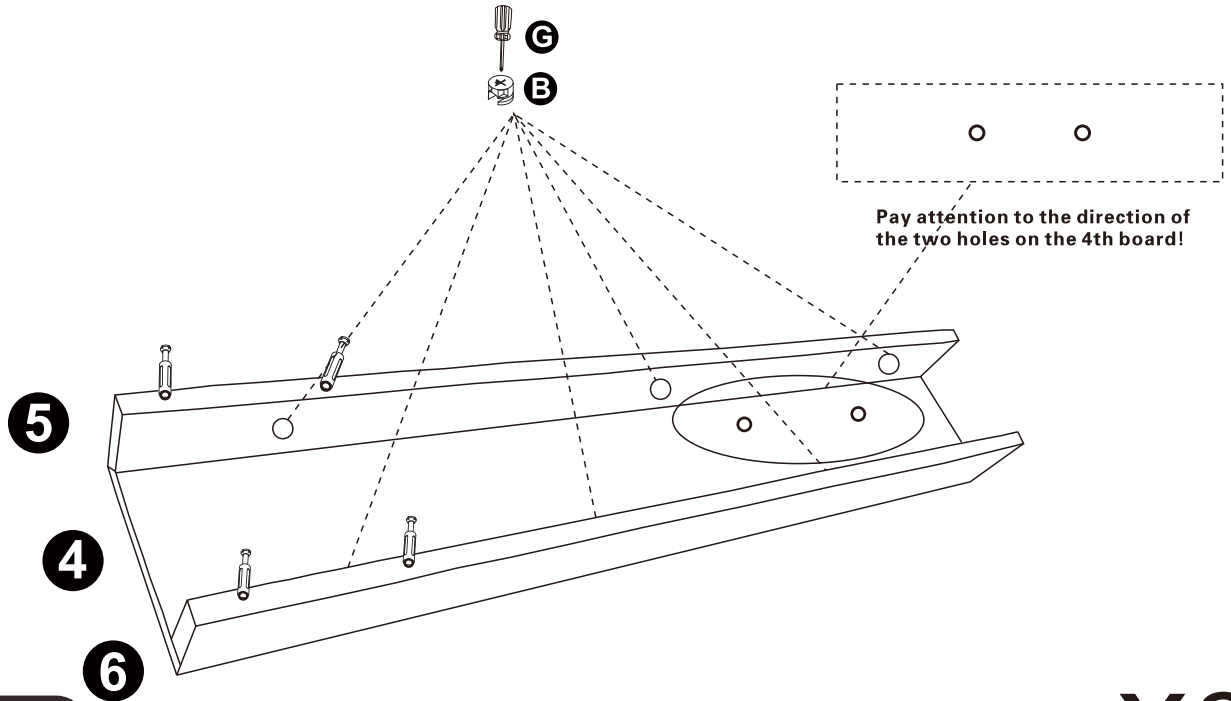


STEP 4



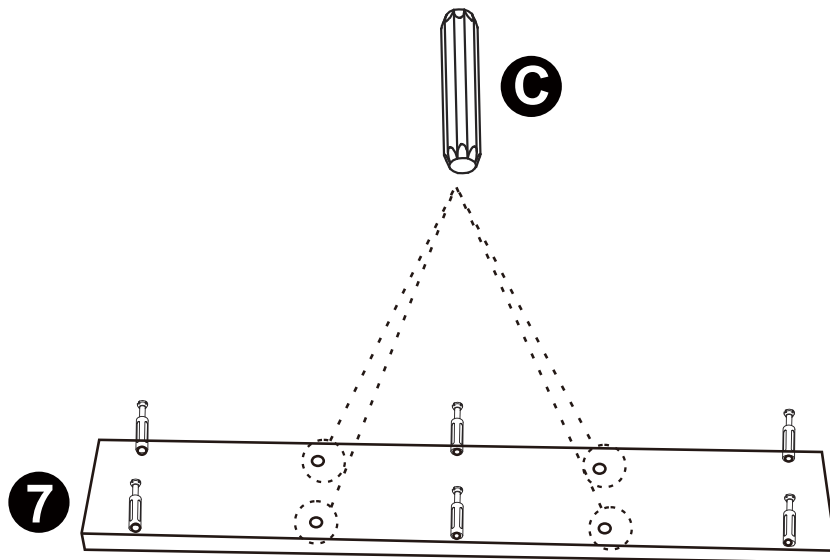
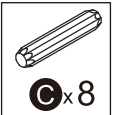
X2

STEP 5



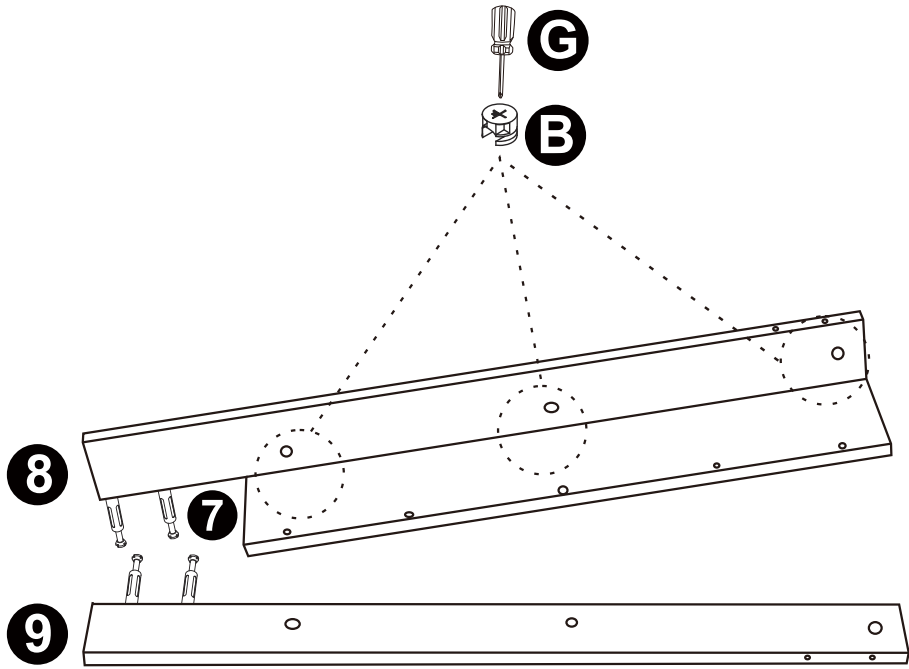
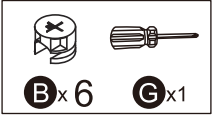
STEP 6

X2



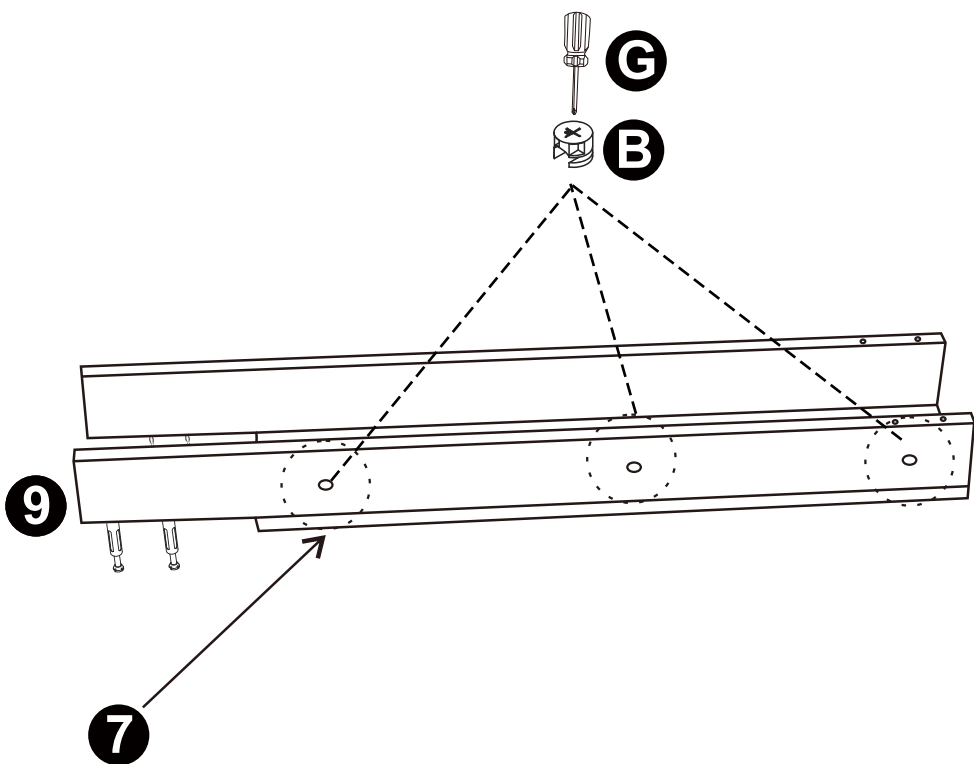
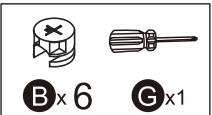
X2

STEP 7



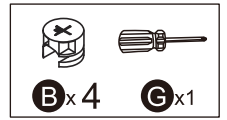
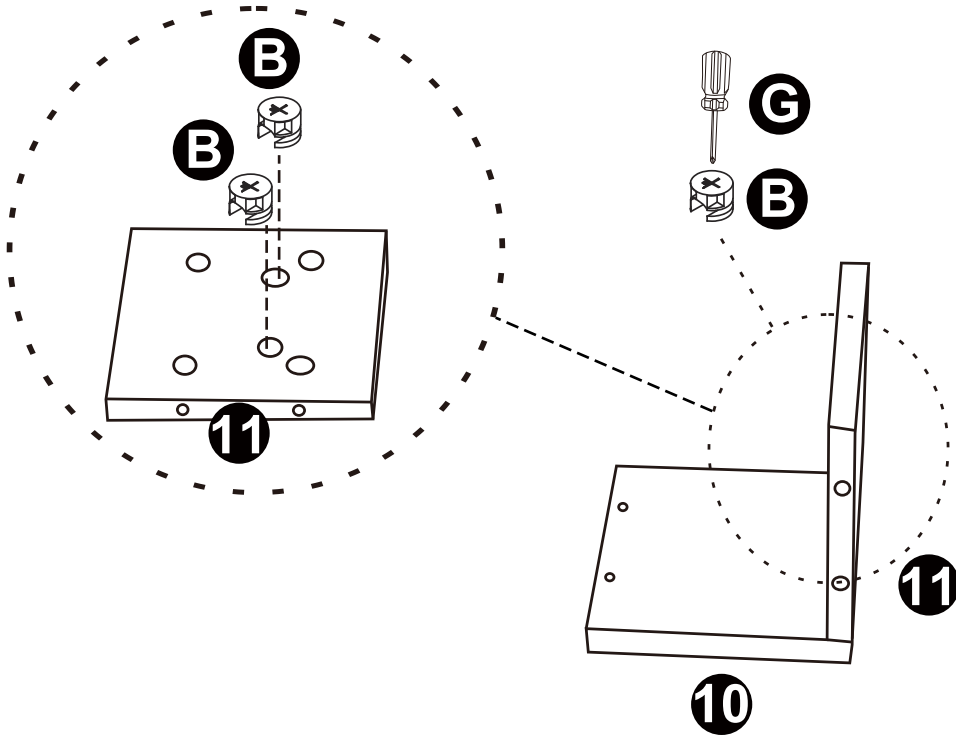
X2

STEP 8



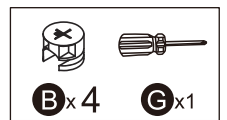
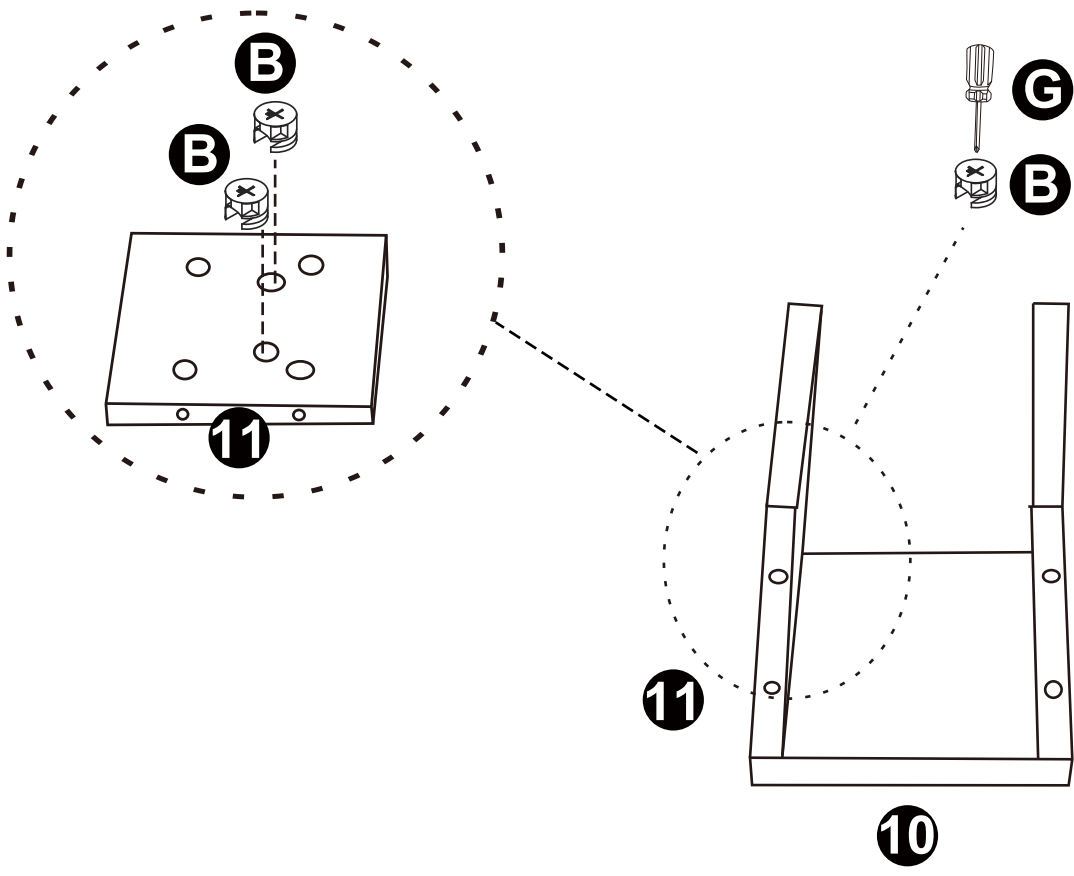
X2

STEP 9



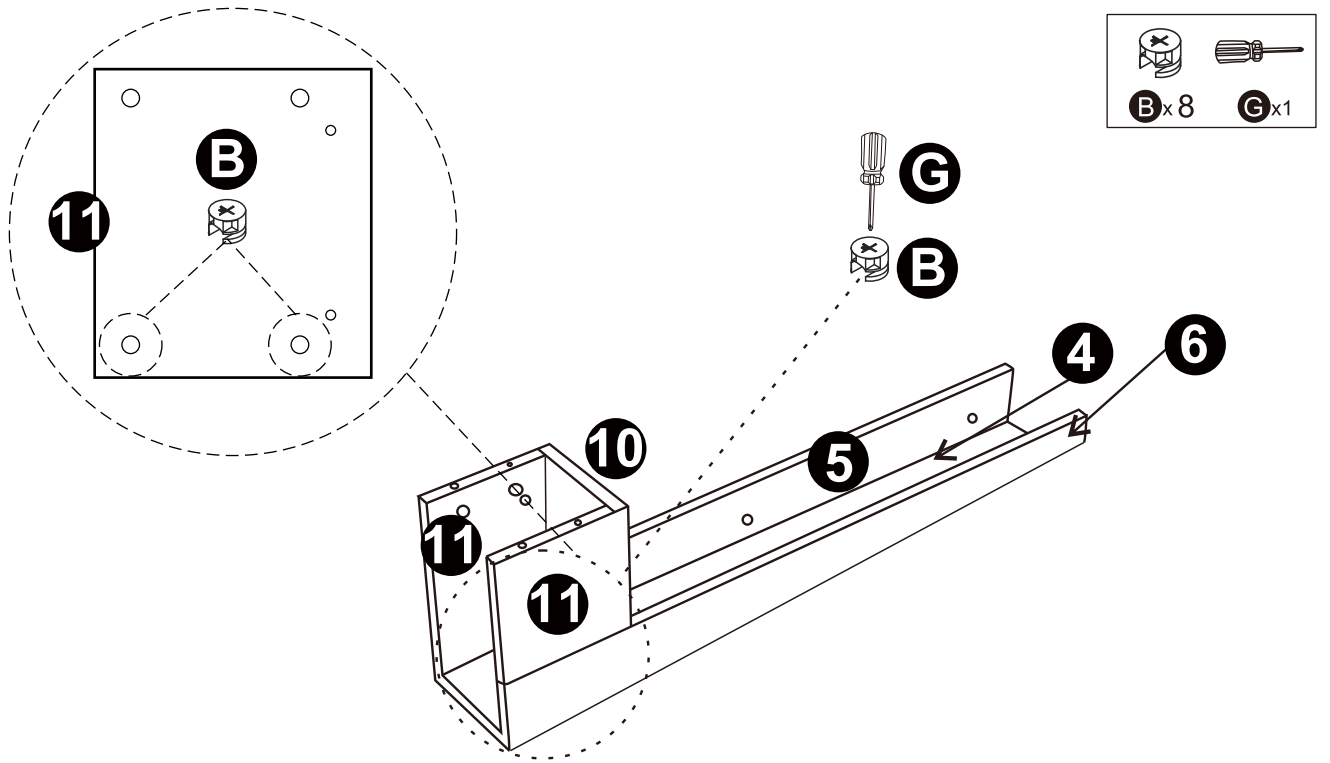
X2

STEP 10



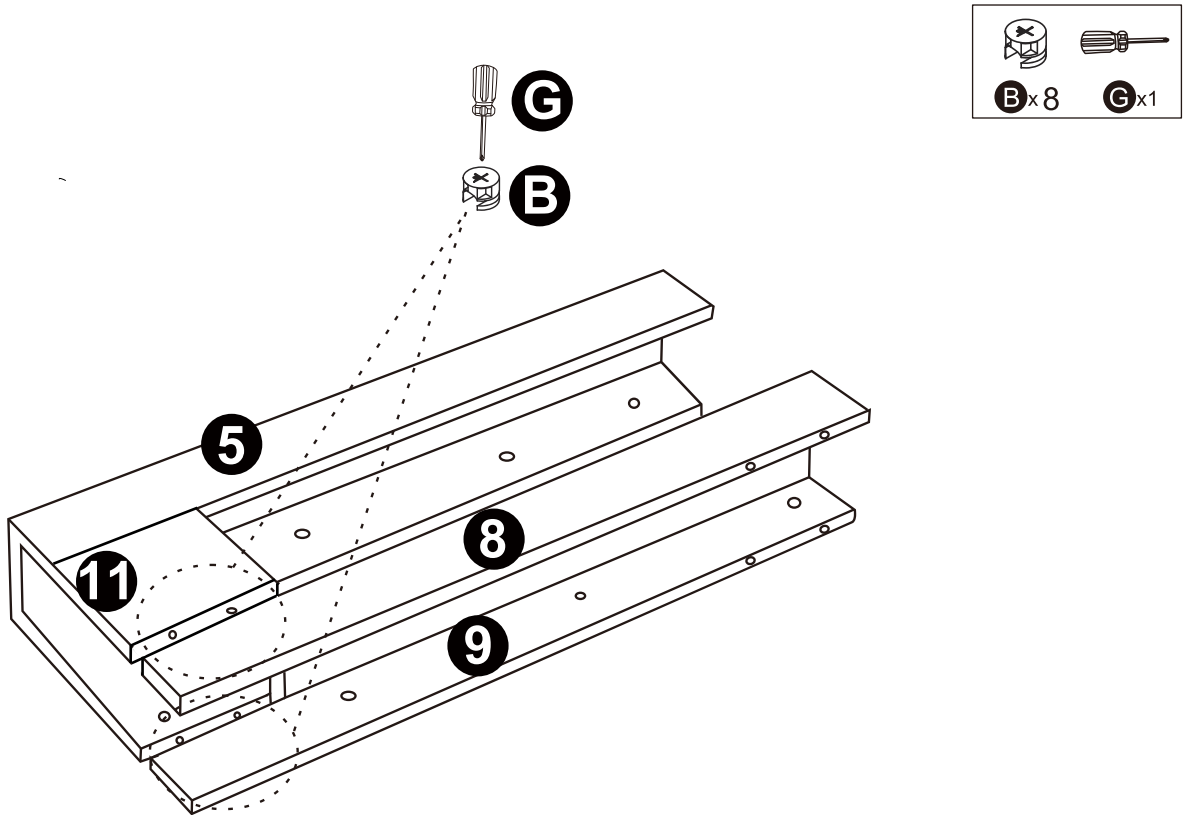
X2

STEP 11



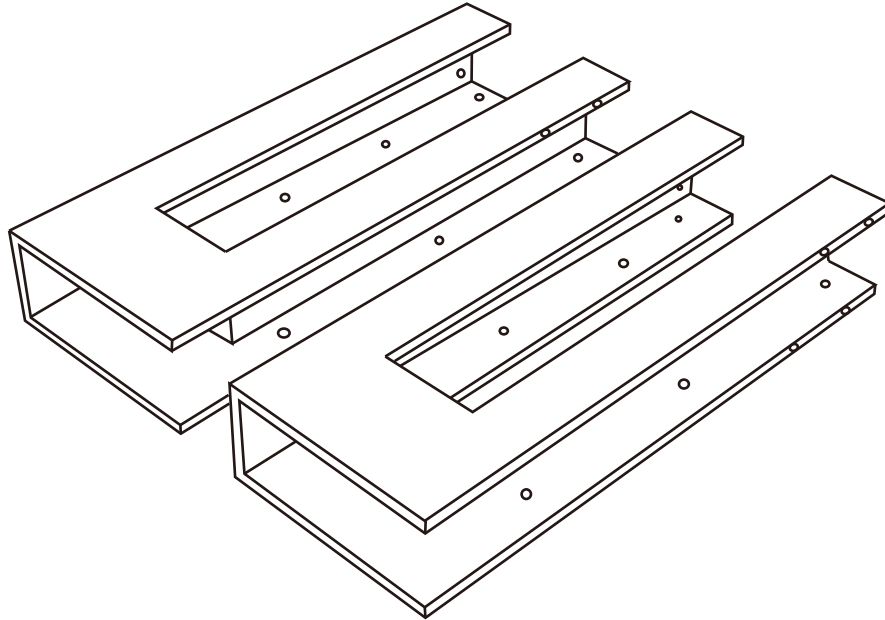
STEP 12

X2



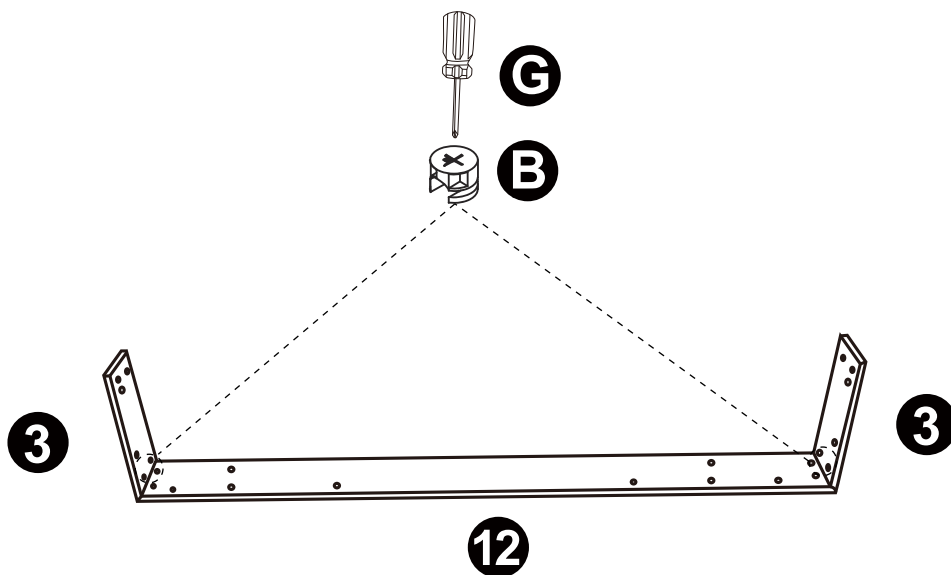
X2

STEP 13

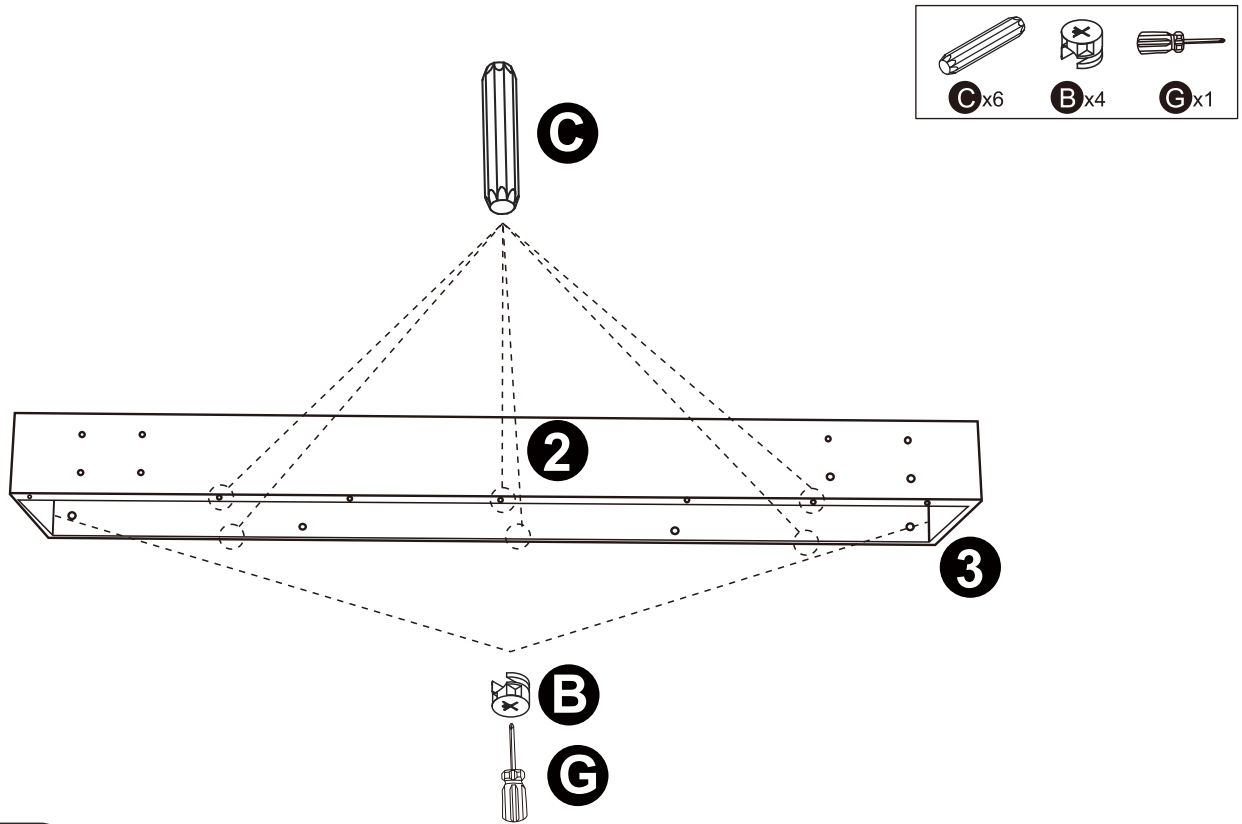


Note: Repeat step 2-12 for another one.

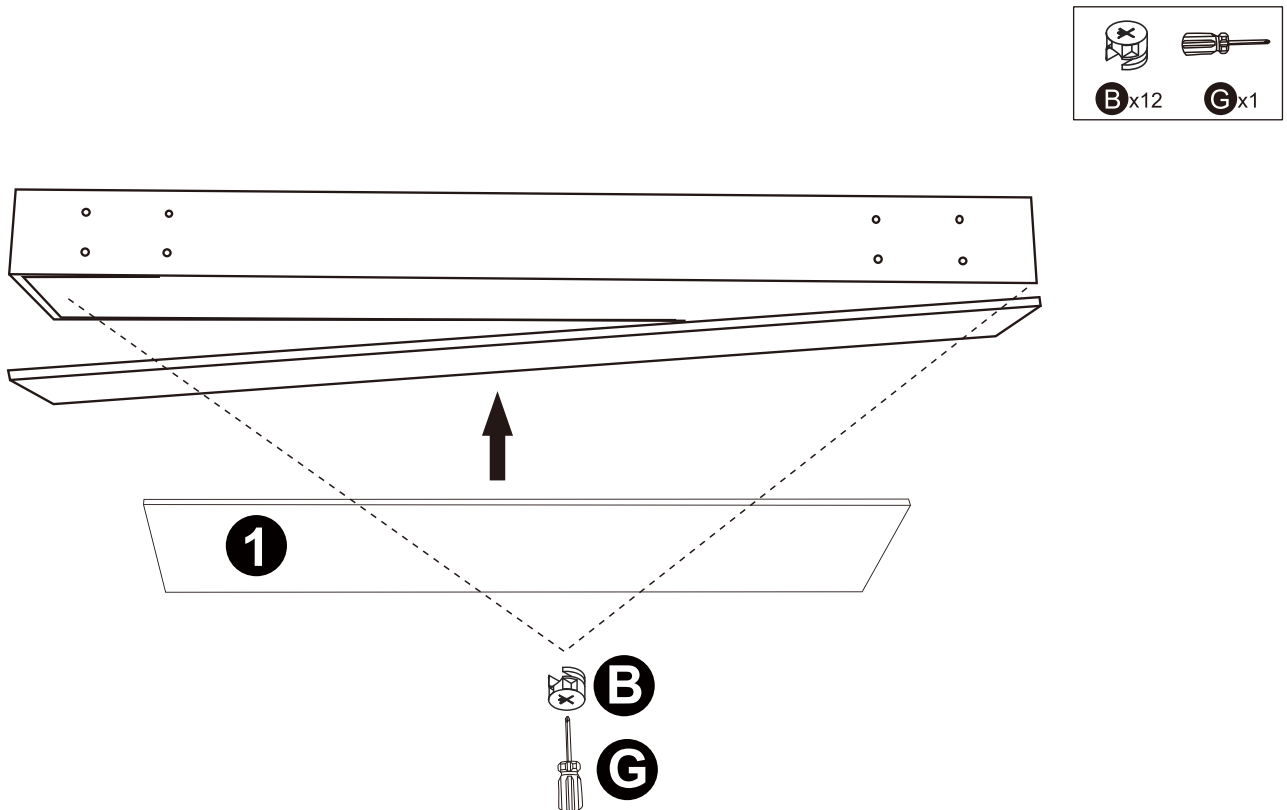
STEP 14



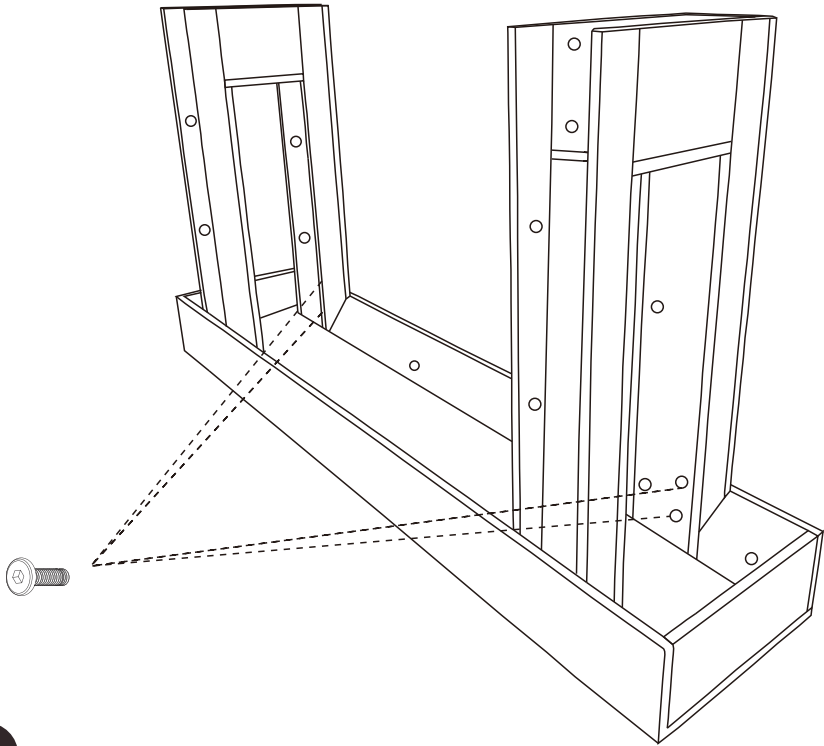
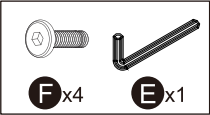
STEP 15



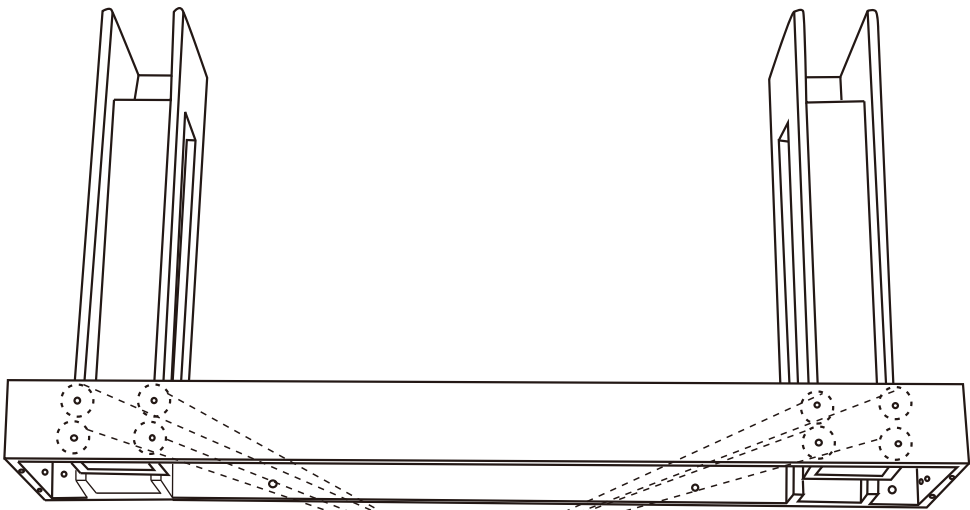
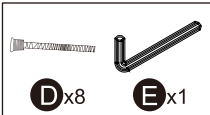
STEP 16



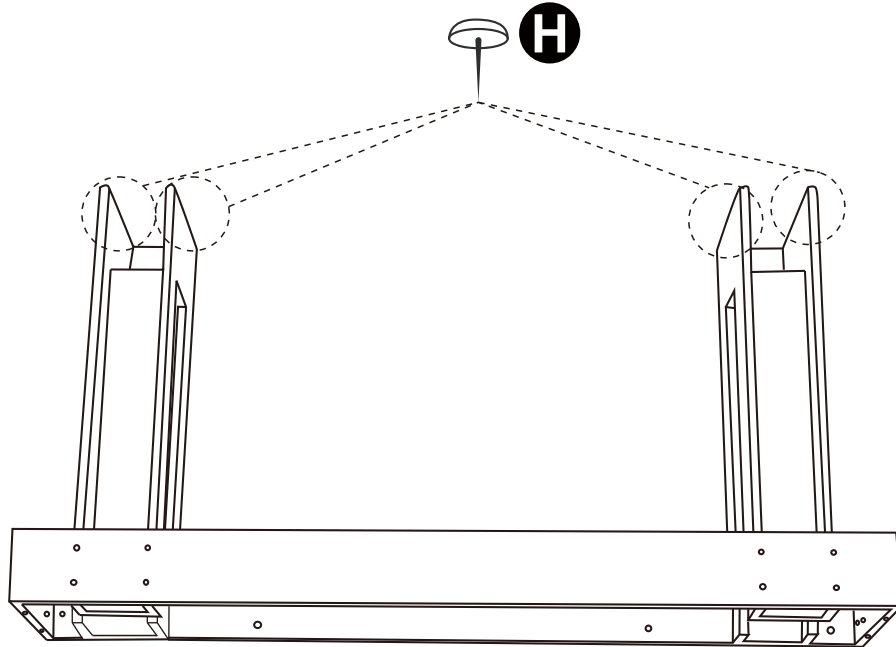
STEP 17



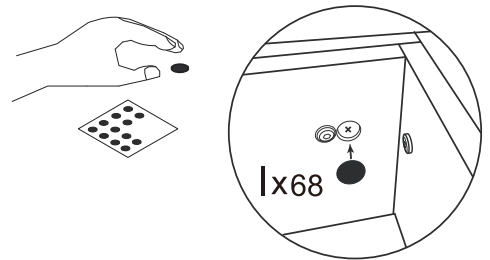
STEP 18



STEP 19



STEP 20



Stick the holes in all connectors with stickers



