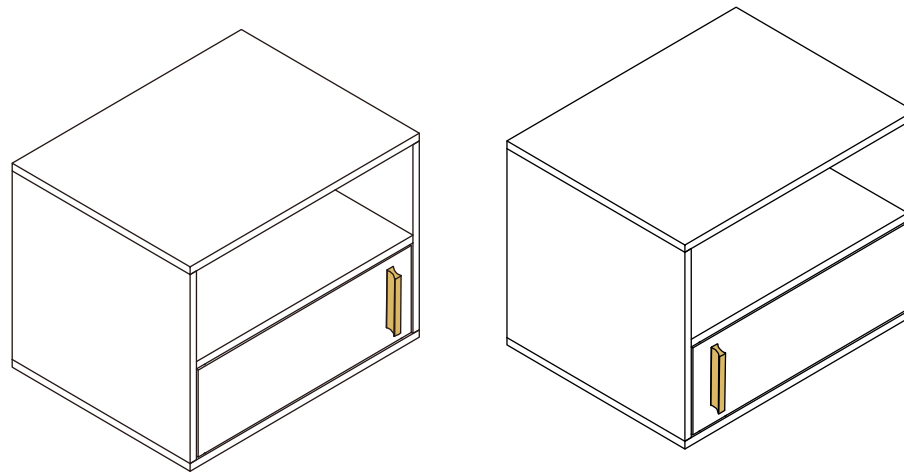

User Manual



Dear Customer,

Thank you for your purchase.

We are committed to providing affordable high-quality pet products worldwide.

Each piece is made with the respect for human and the environment.

When you receive the product, please make sure that all the parts are intact.

Then please browse the entire installation manual before assembly.

If problems occur unsatisfactorily as follows:

a.The outer box is damaged.

b.The product is damaged / bent / cracked while you open the box.

c.The parts / accessories / assembly tools are missing.

d.The product is hard to assemble.

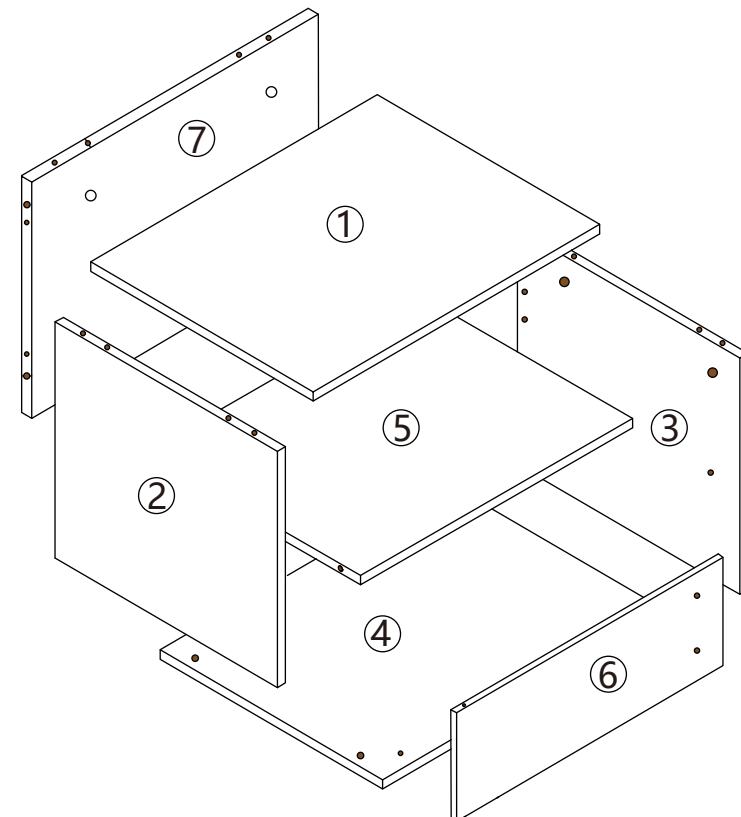
e.The instructions are not clear and can not be referred to.

f.The product has functional problems.

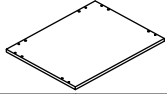
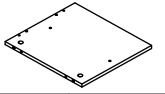
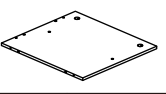
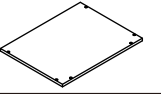
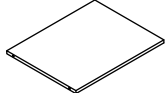
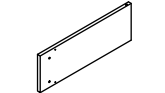
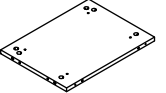
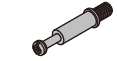


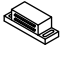









g.Other aspects that you are not satisfied with.

You need

① 1 person needed



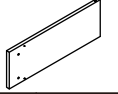




Hardware List

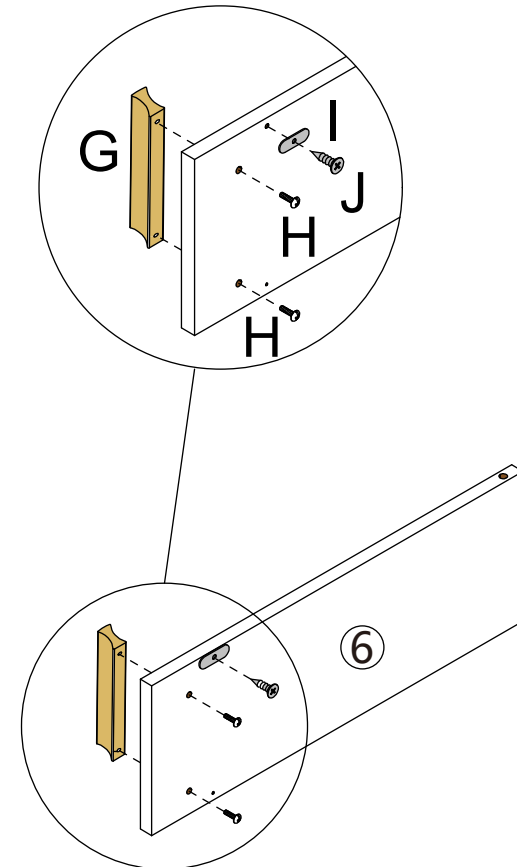
 ① 2PCS	 ② 2PCS	 ③ 2PCS	 ④ 2PCS
 ⑤ 2PCS	 ⑥ 2PCS	 ⑦ 2PCS	 Ø6x35mm A 20PCS
 Ø15x9mm B 20PCS	 Ø6x30mm C 40PCS	 D 2PCS	 M3x14mm E 4PCS
 M4x35mm F 12PCS	 G 2PCS	 M4x15mm H 4PCS	 I 2PCS
 M3x10mm J 2PCS	 Ø5x17mm K 4PCS	 Ø6x30mm L 8PCS	 M4x45mm M 8PCS

PRODUCT ASSEMBLY

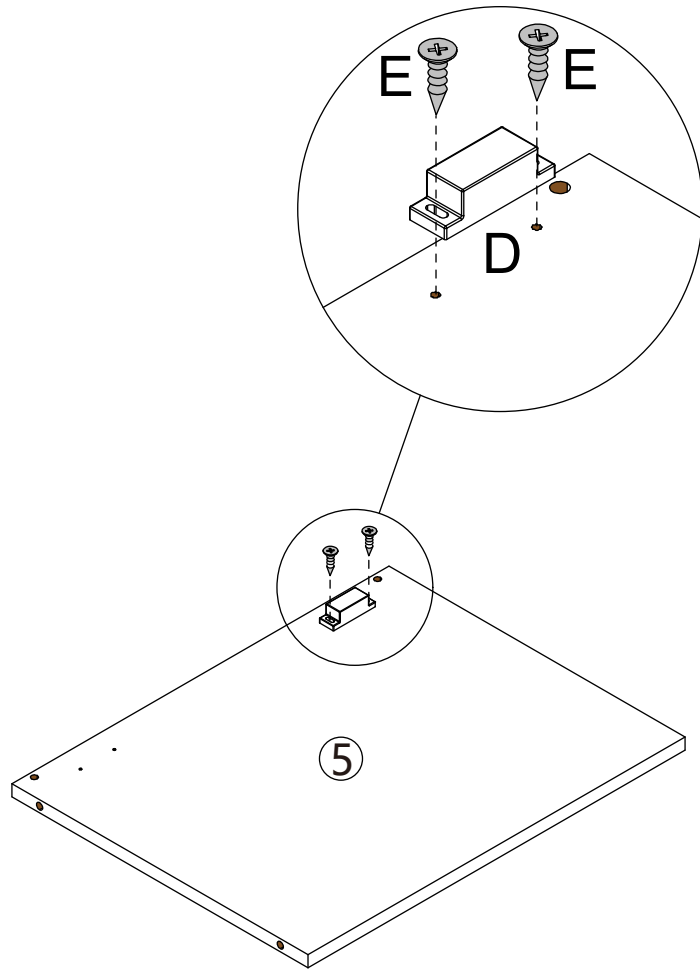
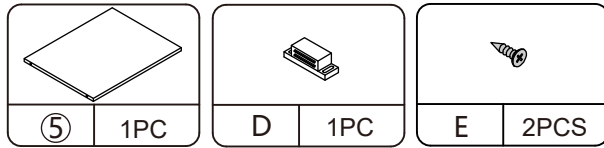
 Check the package contents before getting started !

STEP 1

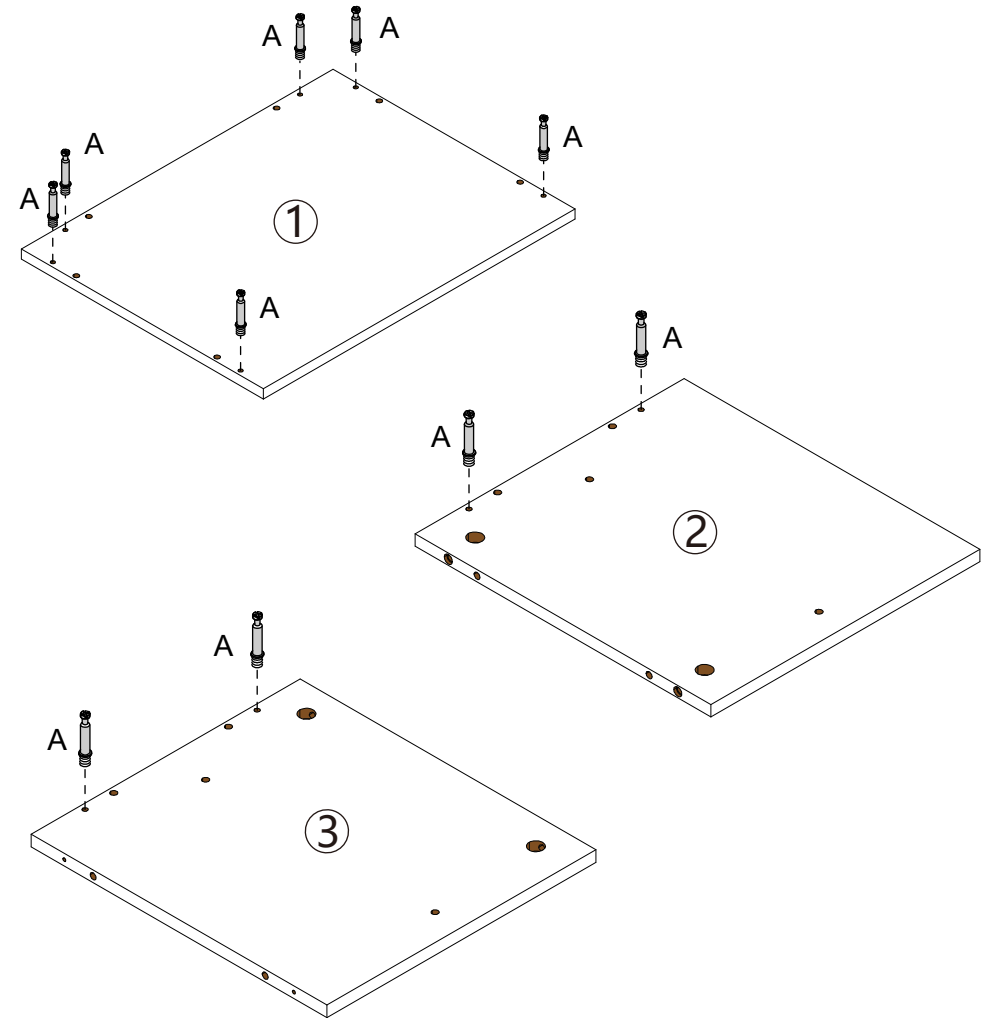
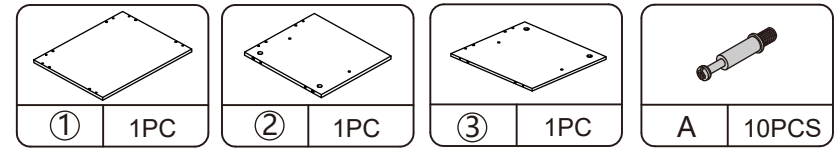
 ⑥ 1PC	 G 1PC	 H 2PCS	 I 1PC
 J 1PC			



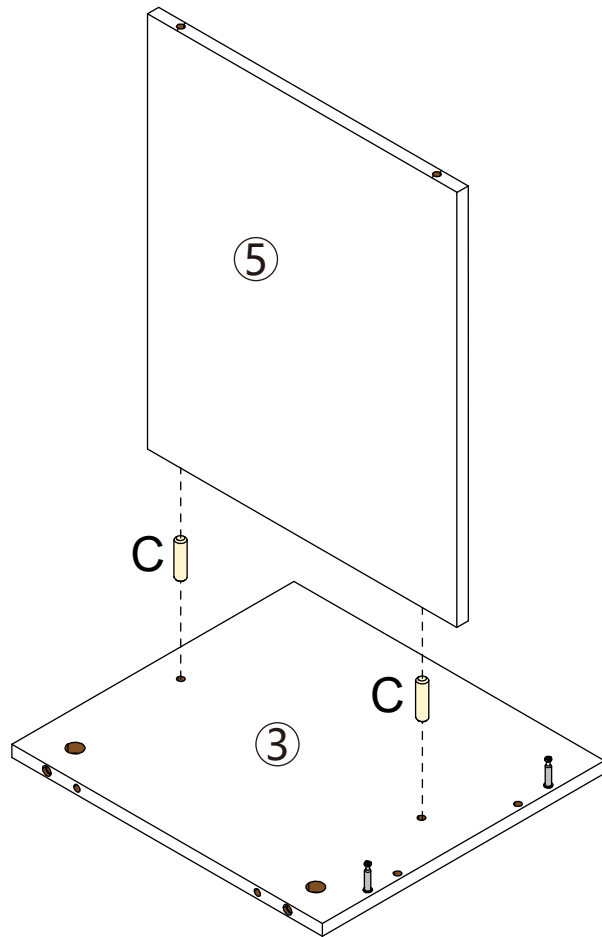
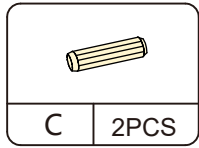
STEP 2



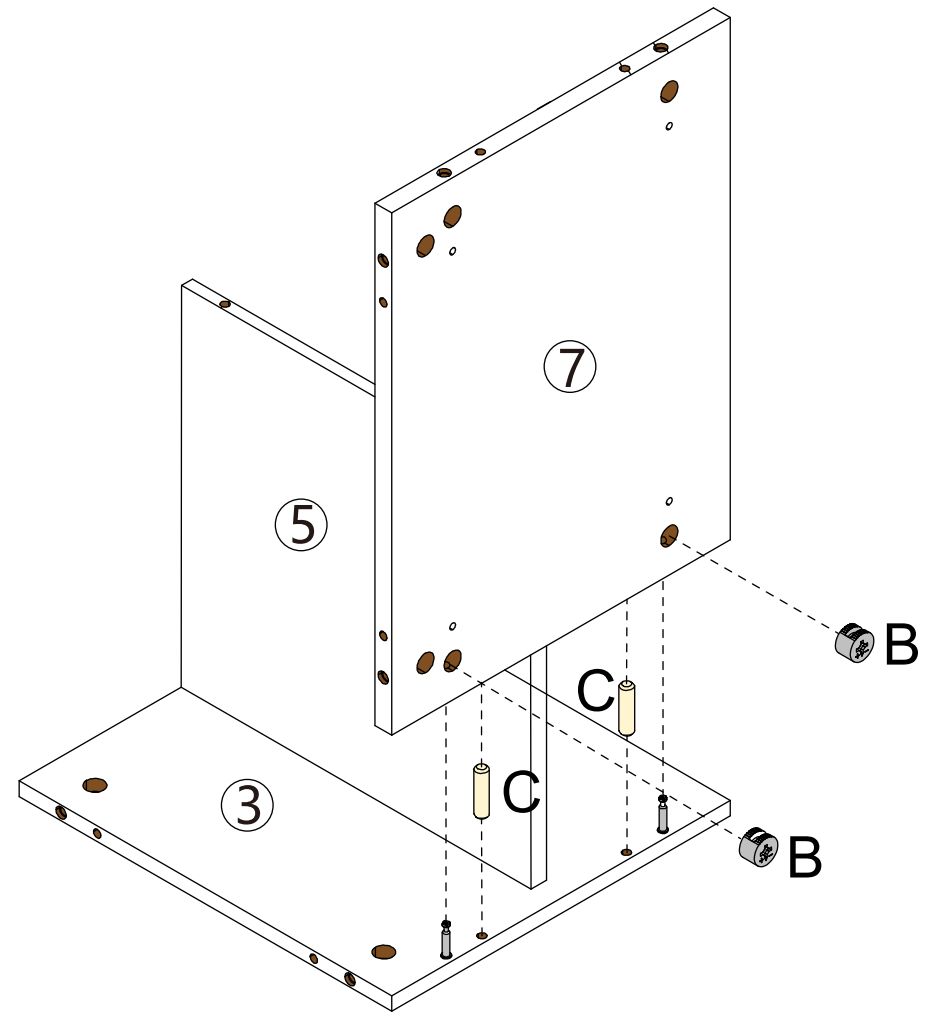
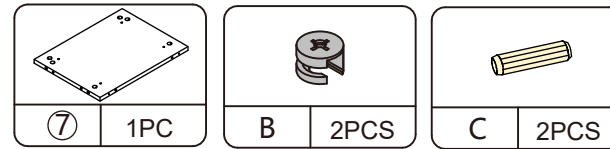
STEP 3



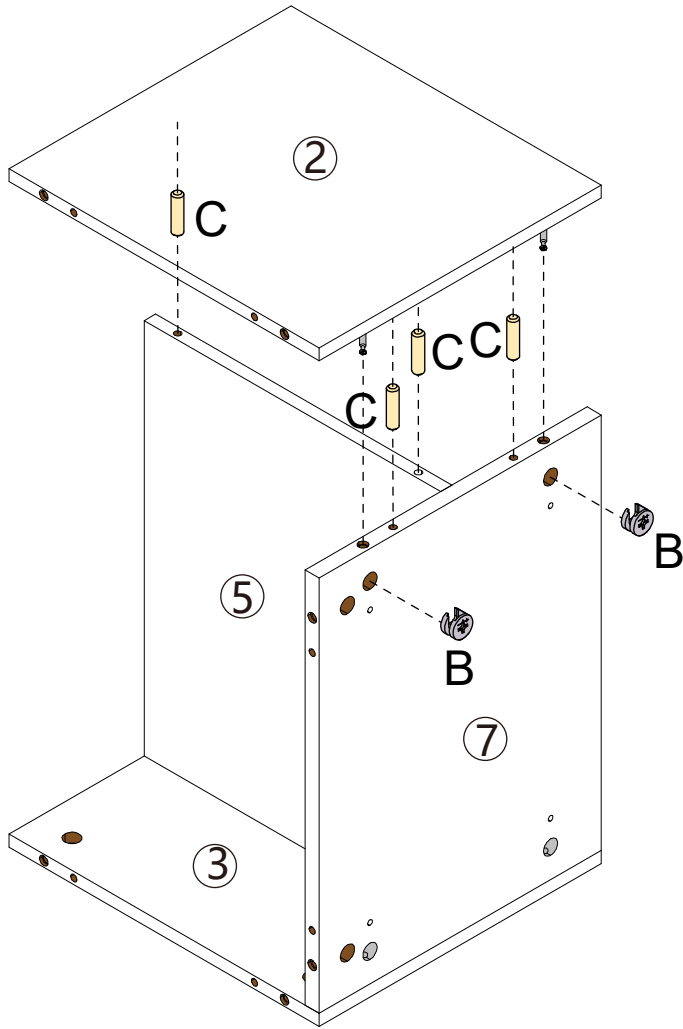
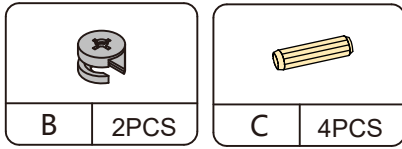
STEP 4



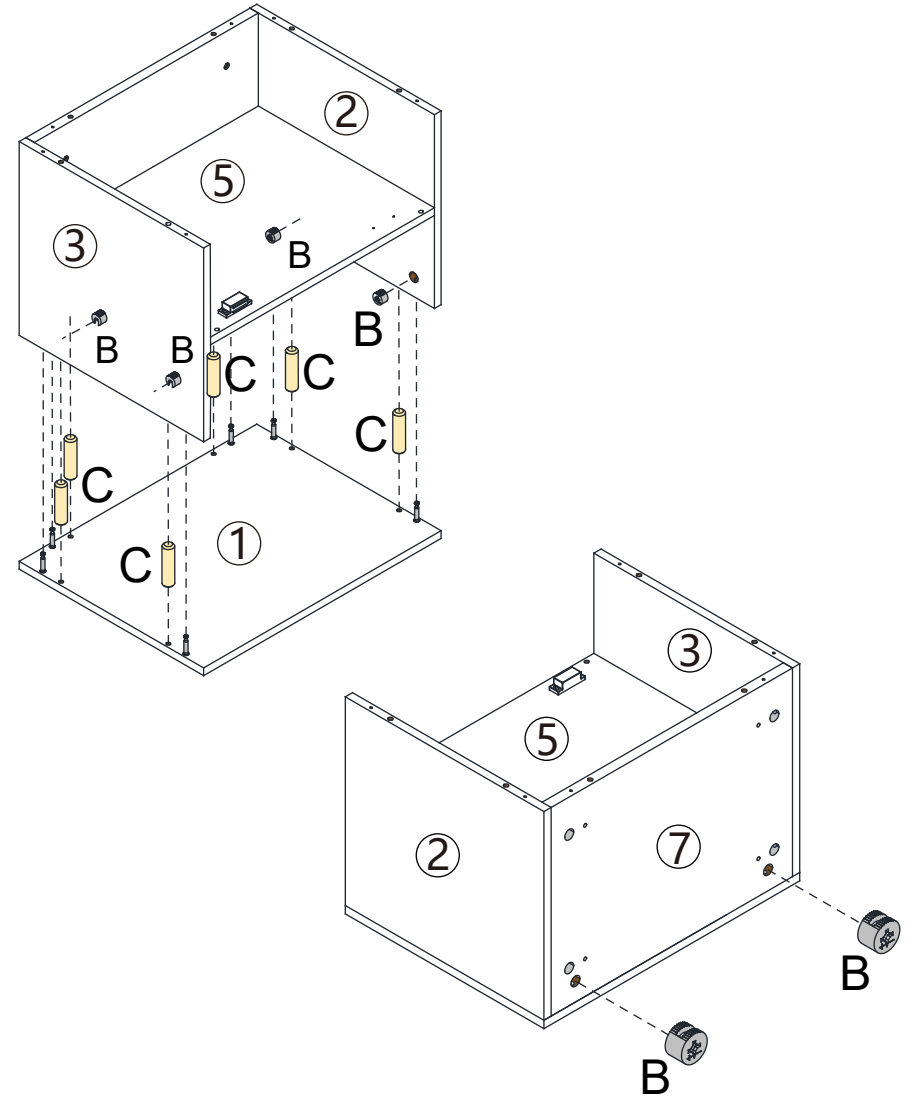
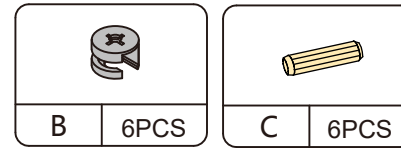
STEP 5



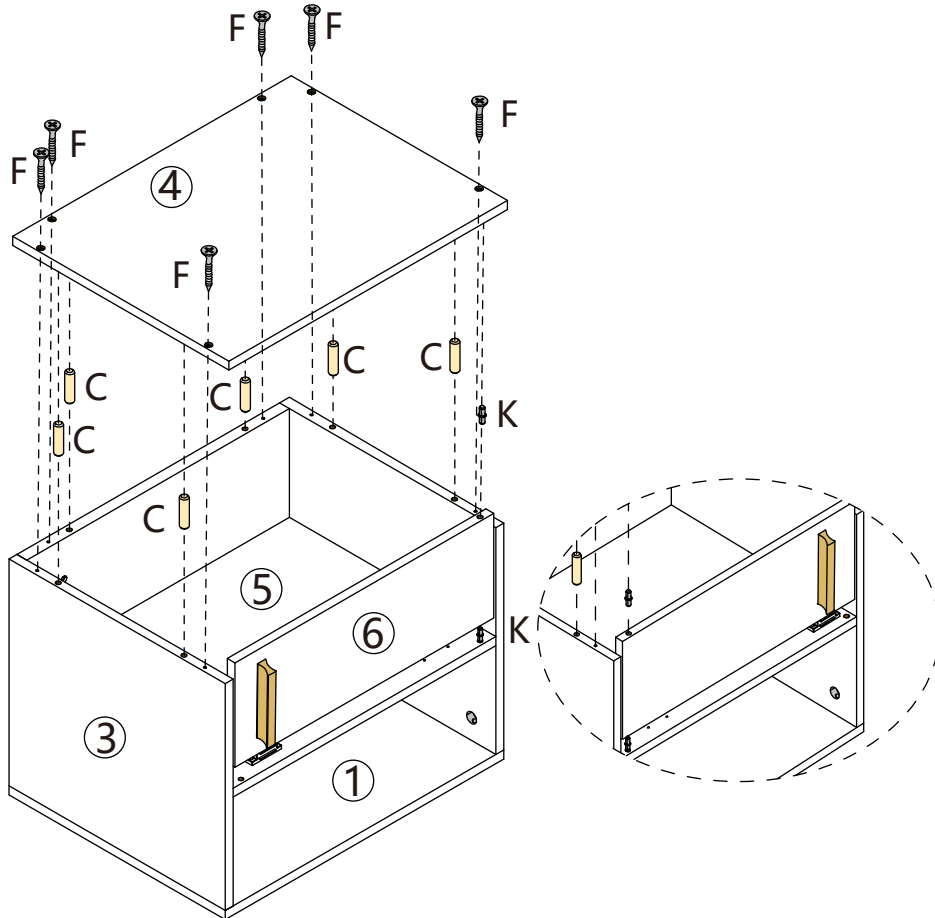
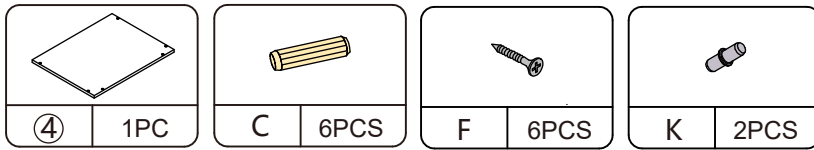
STEP 6



STEP 7

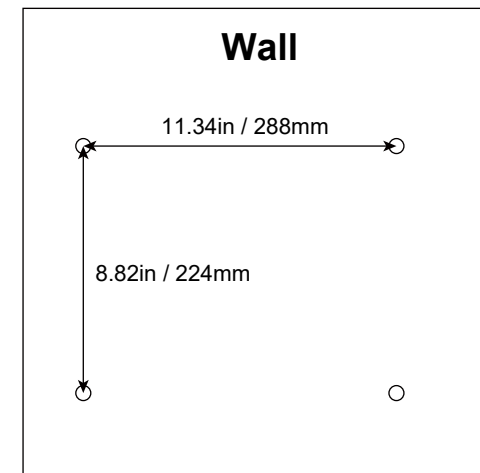
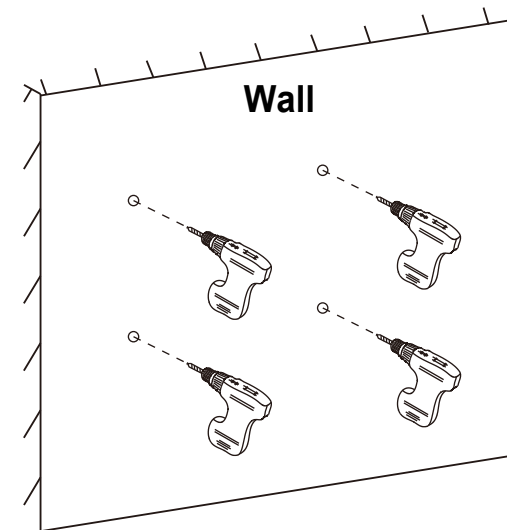


STEP 8



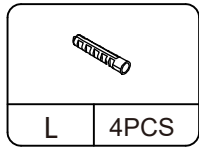
If install the door to the other side, please install the I and D hardware in the step 1 and 2 into the reserved holes on the other side.

STEP 9

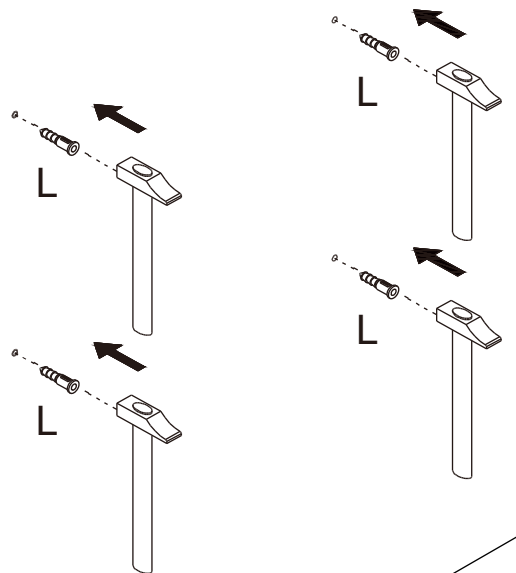


Use the power drill with a bit of M6 (not included). The drilled hole is recommended to be 1.38in/ 35mm deep.

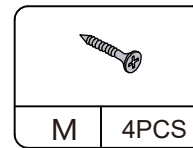
STEP 10



Wall



STEP 11



Wall

