

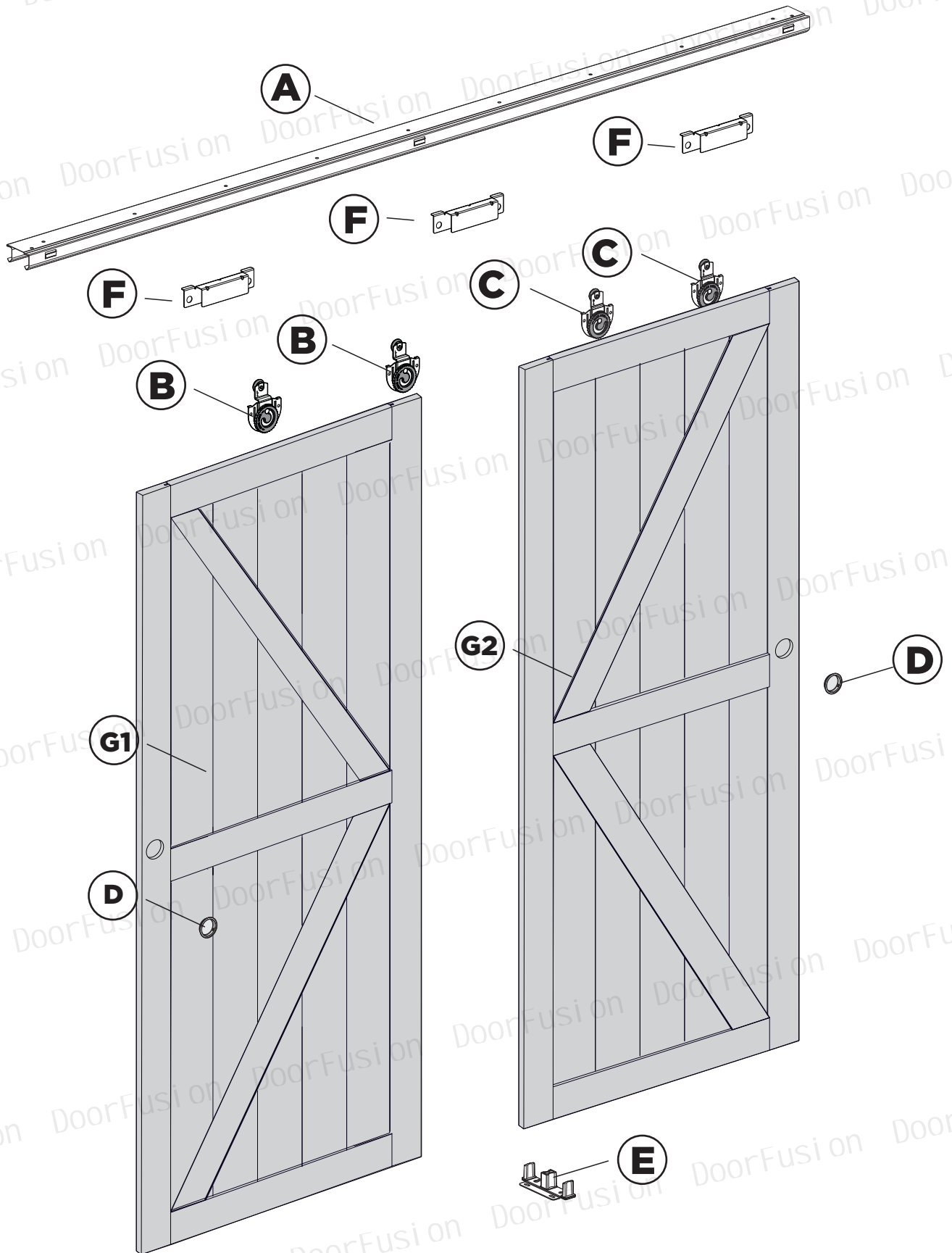
CLOSET DOOR INSTALLATION MANUAL



OPERATION CAUTIONS:

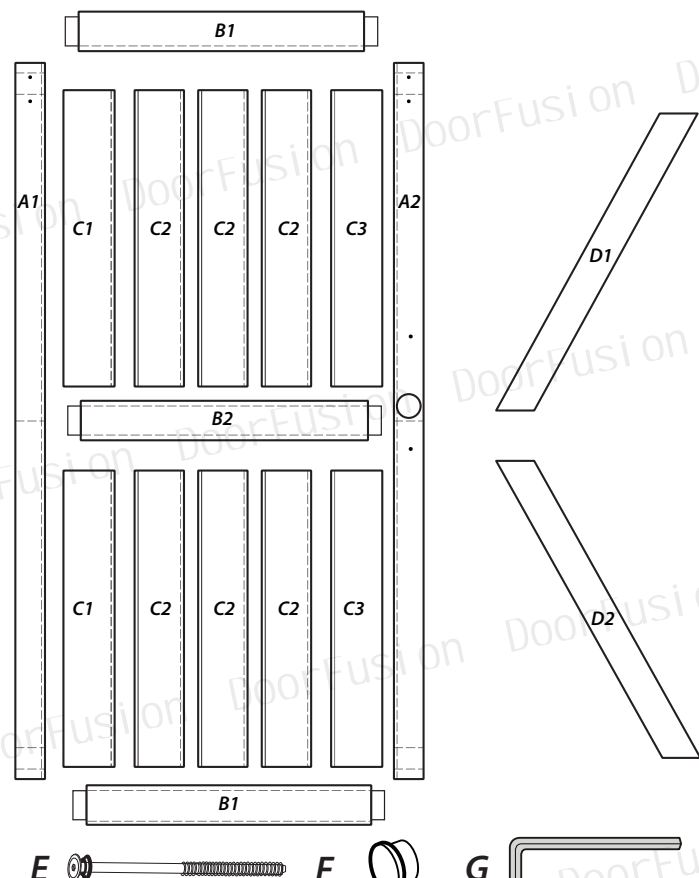
Please read this installation guide carefully before installation.
Please refer to the relevant content of this store for more product use.

Components list

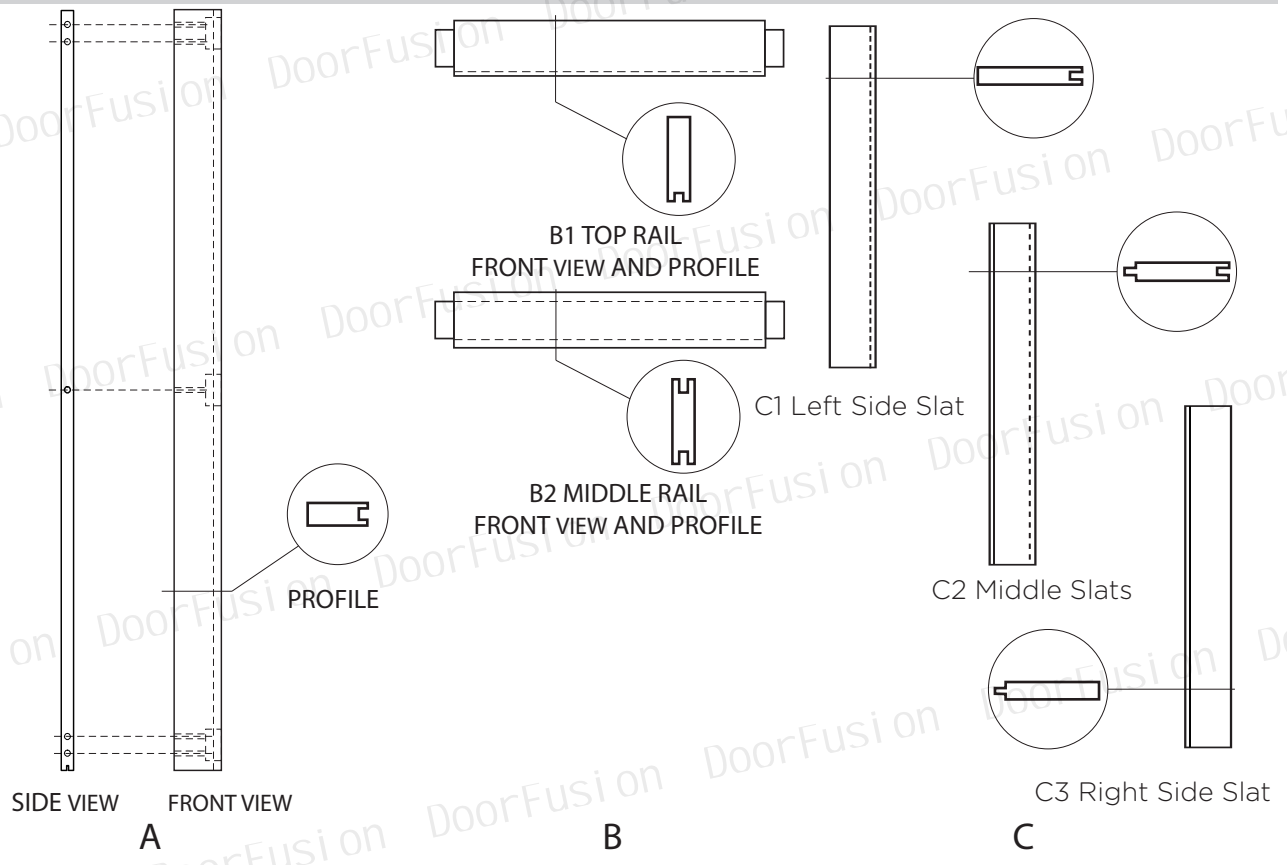


K Shape Barn Door Installation Instructions

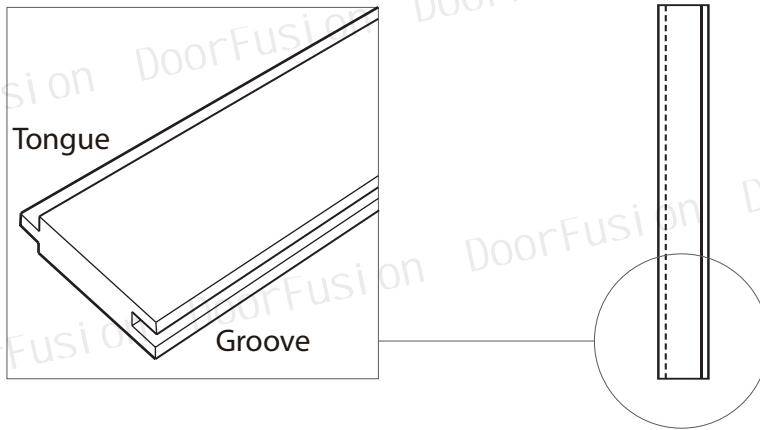
CODE	PARTS	QTY
A1	Side Stile	1
A2	Side Stile	1
B1	Top/Bottom Rail	2
B2	Middle Rail	1
C1	Left Side Slat	2
C2	Middle Slats	6
C3	Right Side Slat	2
D1	Diagonal Overlay	1
D2	Diagonal Overlay	1
E	3.93" Carriage Bolts	10
F	Plastic CAP	10
G	Hex Key	1



TIPS: Contact and Ask us anything! Email us at: help@bestbarndoor.com
 We offer several sizes of boards, Let's look at them from different perspectives



What Is Tongue and Groove?

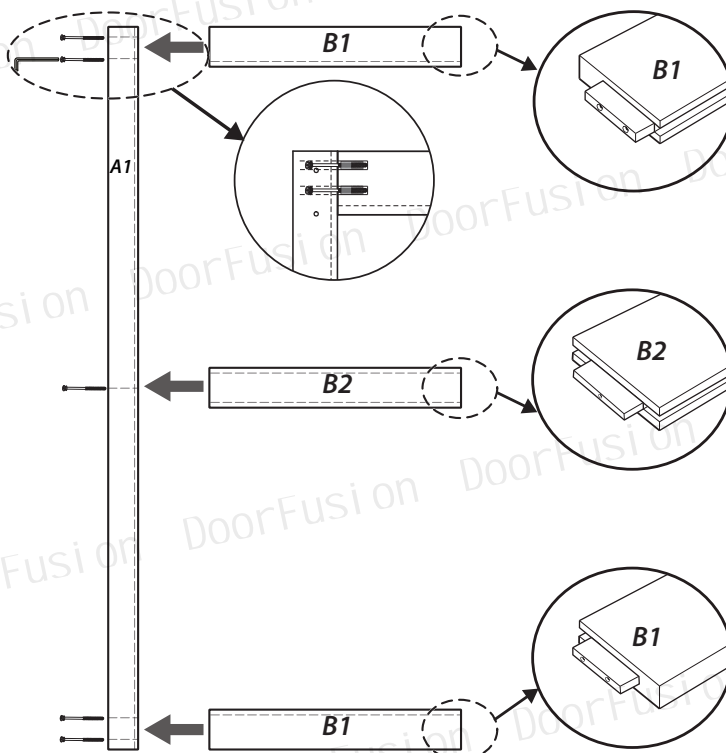


Tongue refers to the extending ridge beyond the main portion of the slat or stile.
Groove refers to the slot cut into the other side of the slat or stile.

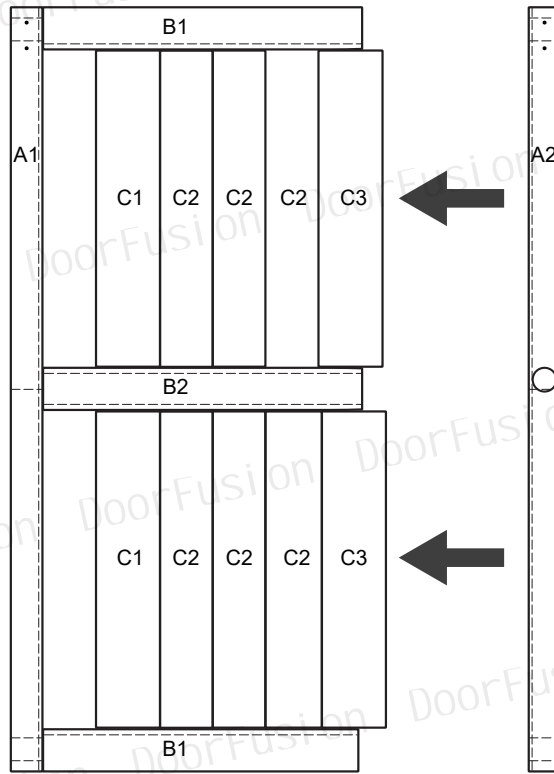
Installation Steps:

The following installation steps take a door with a width of 37" as an example.
Please refer to the [Number of Parts in Different Door Sizes] for doors of different sizes

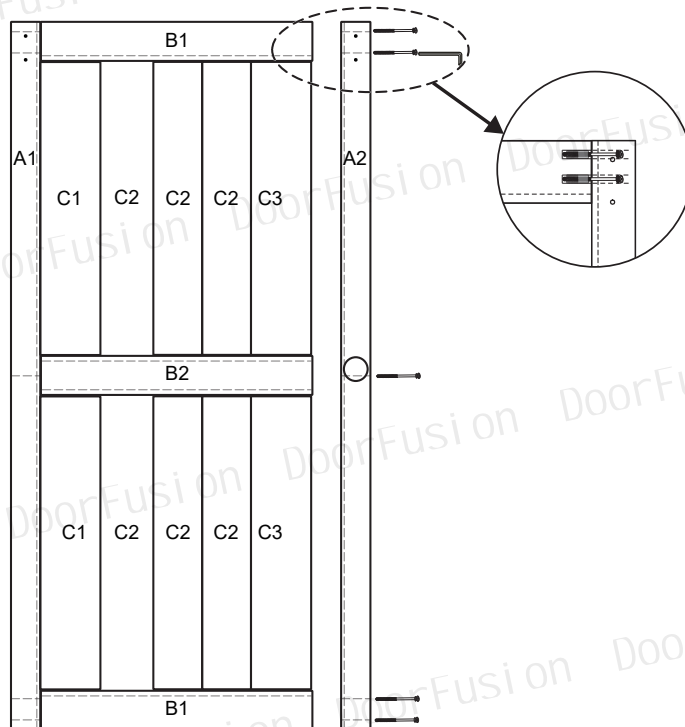
1. On a flat, clean surface, lay out one side stile (A1) with the groove facing to the right. Assemble top rail (B1), middle rail (B2) and bottom rail (B1) to A1 by fitting the tongue into the groove of A1.



- Assemble the left side slat (C1) with the groove facing right.
Lay all middle slats (C2) next to C1 with the groove facing right.
Lay the right side slat (C3) to the right of the last C2 with the tongue facing left.

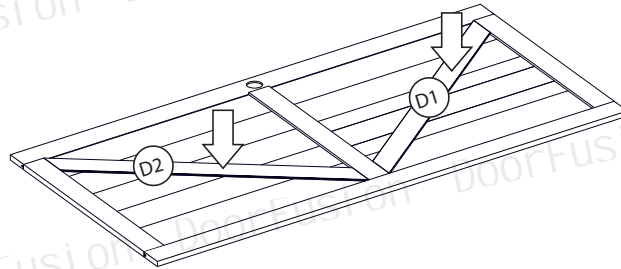


- Place the right side stile (A2) beside the assembled slats and rails with groove facing left. Slide to the left to cover the top and bottom rail tongues and the edge of the slat assembly. Insert carriage bolts into holes on the right side of A2, use hey key to fasten carriage bolts to the pre-installed anchors in B1,B2.

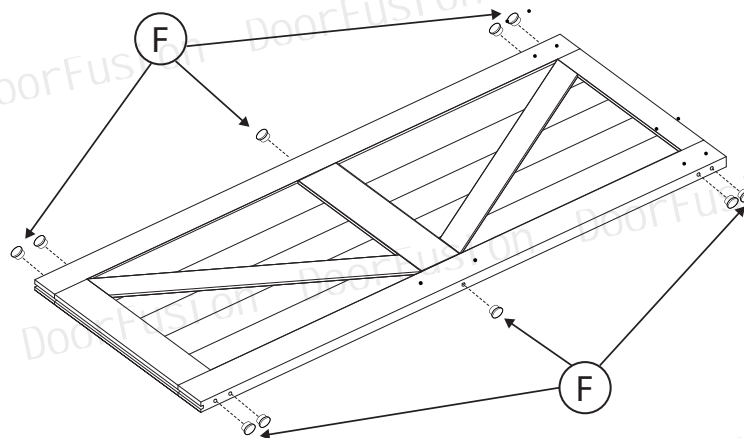


*If your door is H-shaped, then your door has already been installed. You can directly browse the instructions on track installation on the next page.
If your door is K-shaped, please read the following steps to continue the installation.

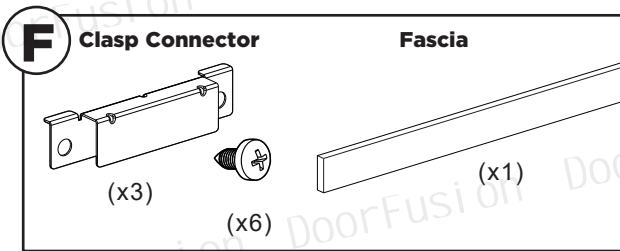
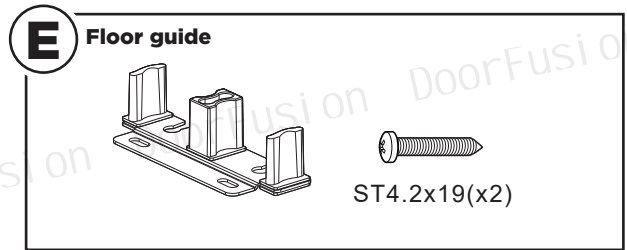
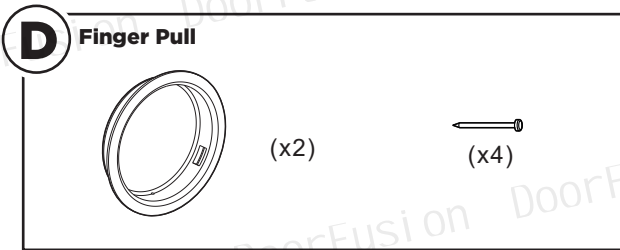
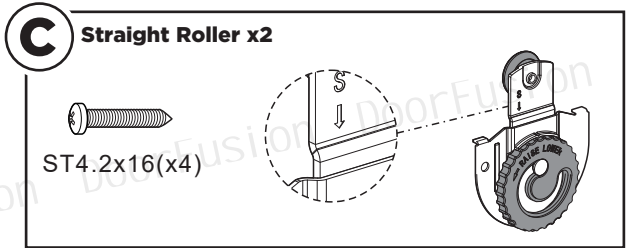
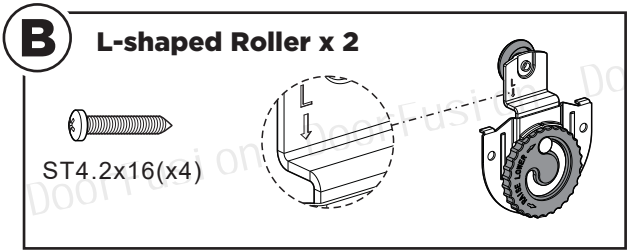
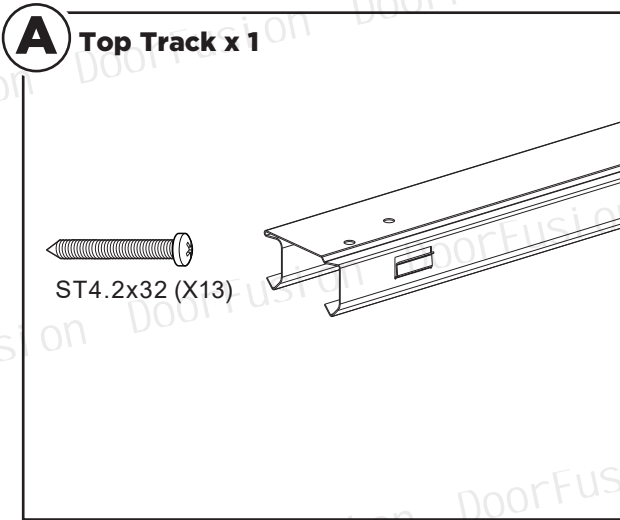
- 4.** Diagonal overlays (D1/D2) are used for decoration by pasting on the surface with double-sided adhesive.
Remove the protection paper of adhesive on back of D1/D2 and flip D1/D2.
Place the two ends of D1/D2 on the assembled door surface first. The middle of D1/D2 will be arched.
Push down the middle of D1/D2 to the surface. The diagonal overlay will stick to the surface sturdy.



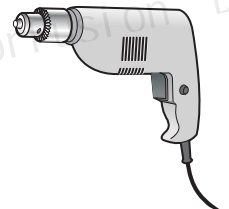
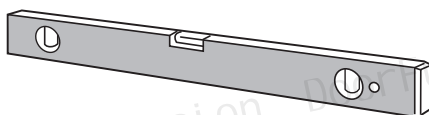
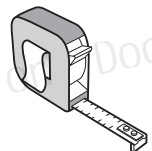
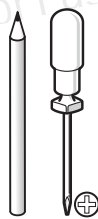
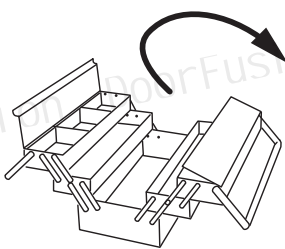
- 5.** Insert plastic cap (F) into holes on the side of side stile (A) to complete the installation.



Hardware

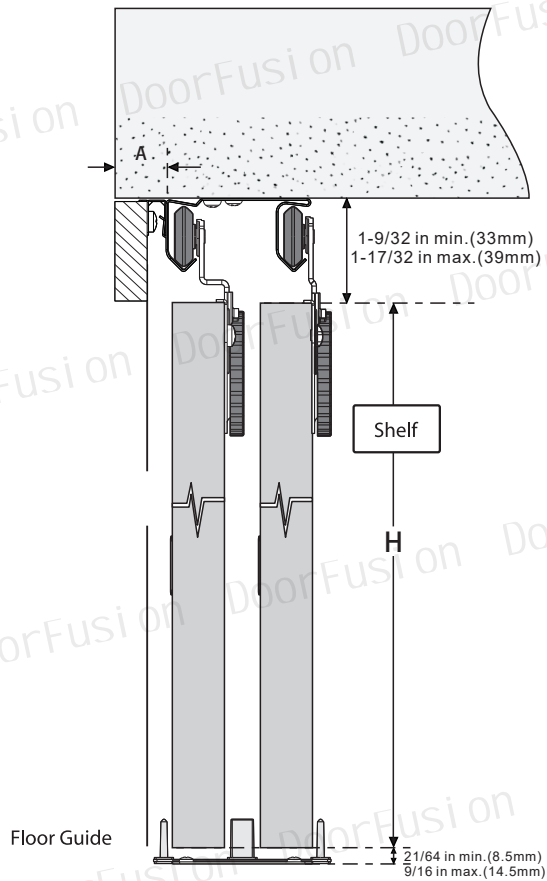


Tools required



Assembly Notes

Take aesthetics into account, ensure there is ample space for fascia installation. Therefore, install the track at a minimum distance of 5/8 inches away from the edge of the door opening

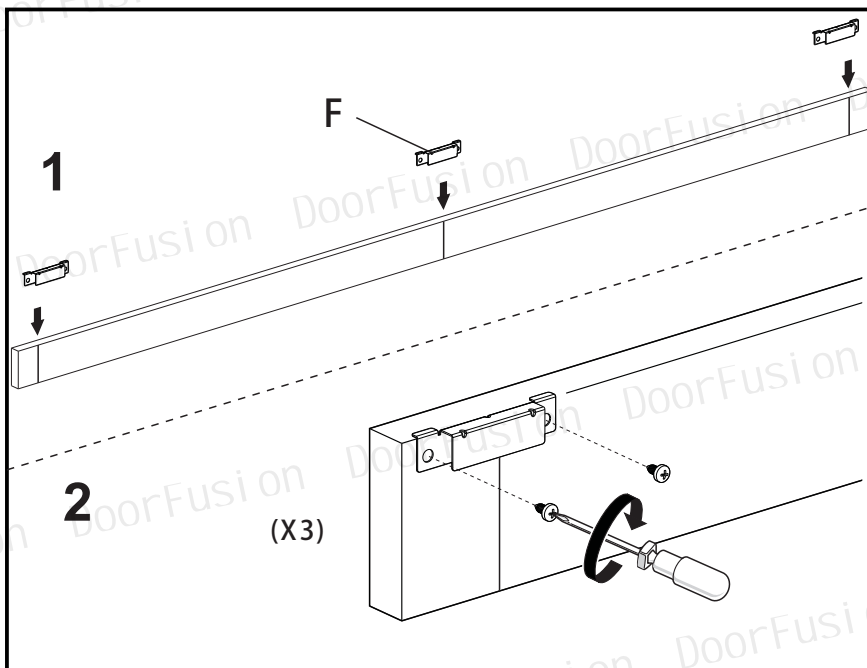
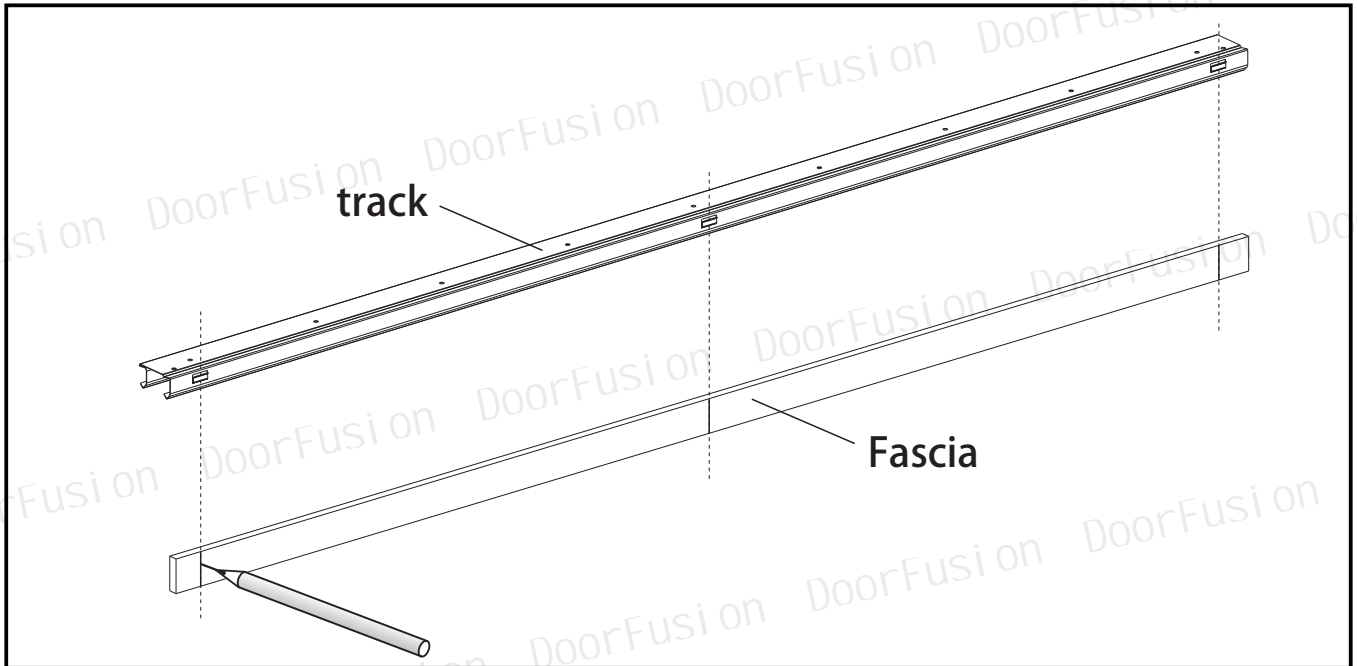


Door Thickness	7/8in 22mm
Dimension A	5/8in 16mm

Product Installation

Step 1 Install clasp connector to the fascia

Seat the fascia on the track, and mark the clasp's position on the fascia with a pencil

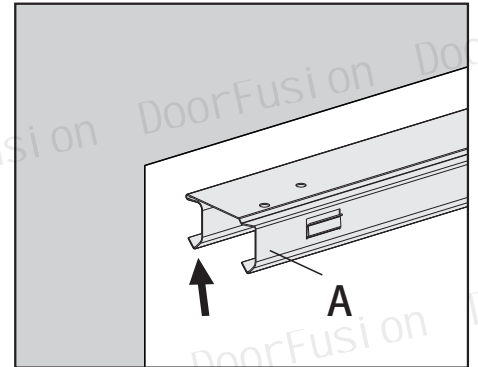
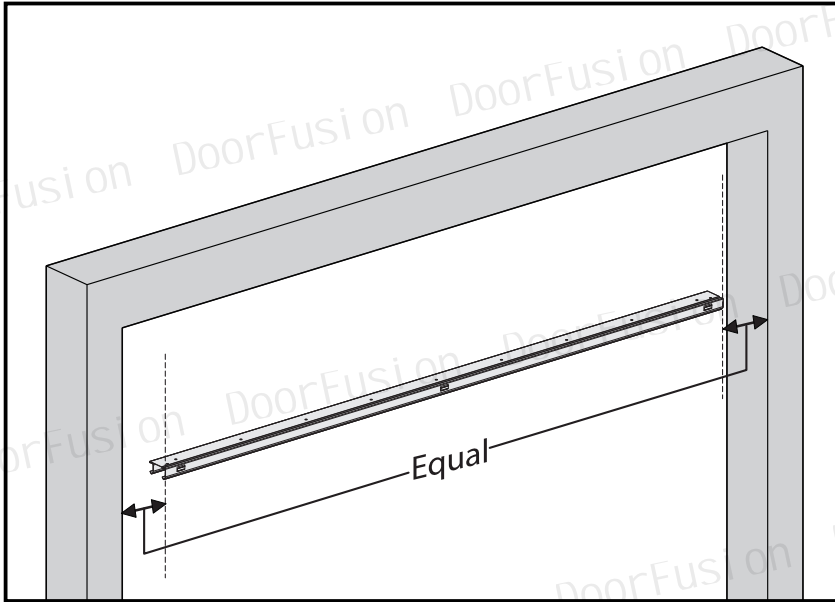


Screw clasp connectors to the fascia in the marks

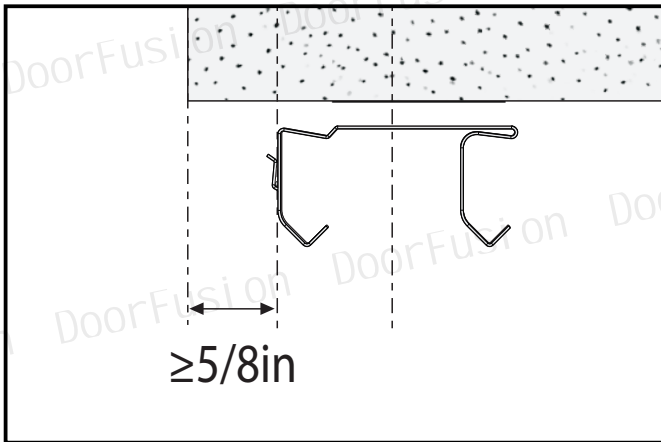
Product Installation

Step-2 Install the top track

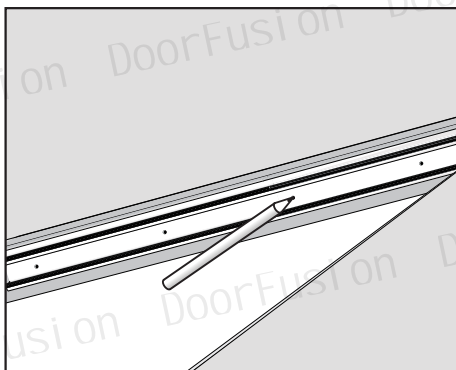
Both the track and the fascia are trimmable. If the opening is not wide enough, you can cut the track and the fascia to a workable length. But it's recommended to purchase the correct size for your opening directly.



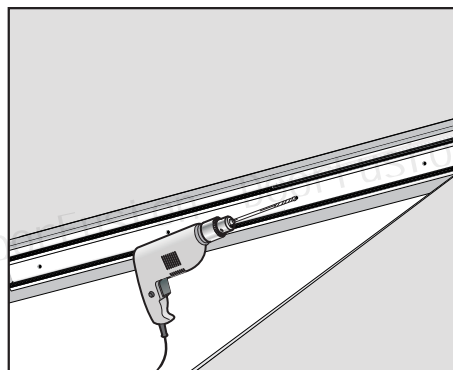
The side with roller hook goes inside the closet



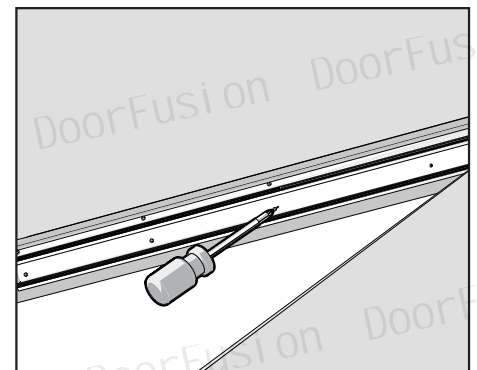
Center the track on the head jamb if the opening is deep enough; otherwise, ensure a 5/8-inch gap from the jamb edge to the outer side of the track and mark holes with pencil.



① Mark each hole with pencil



② Drill marks with drill bits



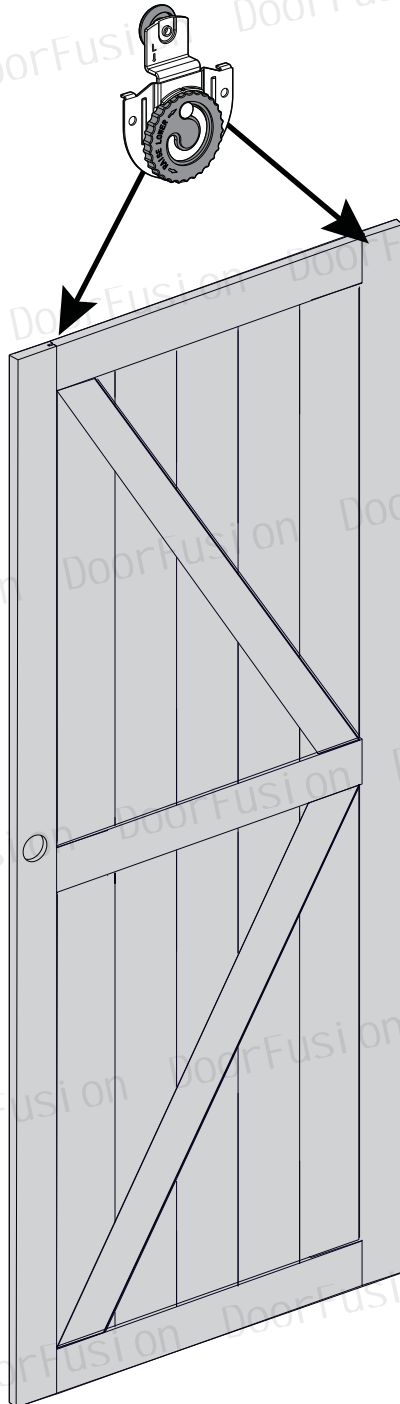
③ Attach track to the head jamb with longer screws (4.2mmx32mm)

Product Installation

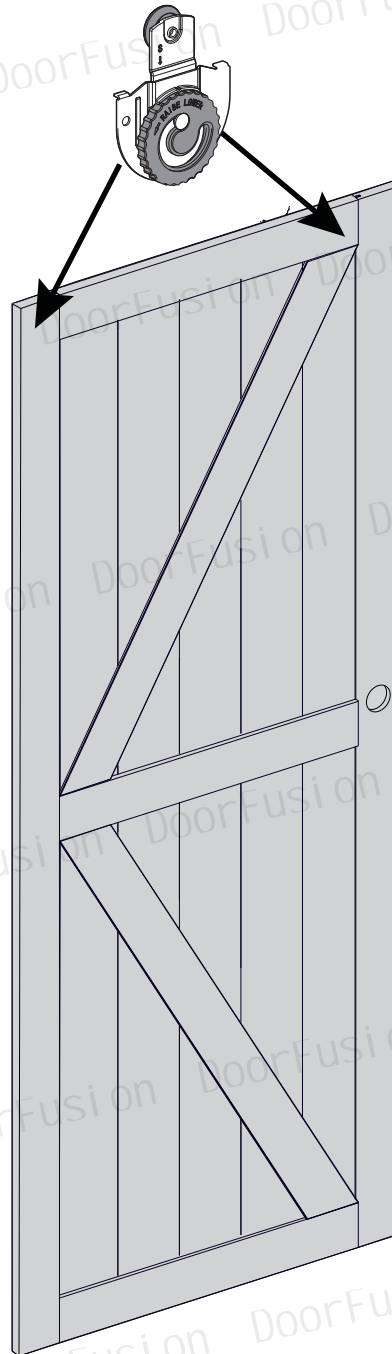
Step 3 Attach the roller to the door

Attention: There are two types of rollers. Please attach the same rollers to one door. The side with roller should be facing inward. The holes for finger pull are pre-drilled. Please make sure the side with the pull hole is outward and the roller should be attached to the other side of the door.

L-shaped Roller x 2



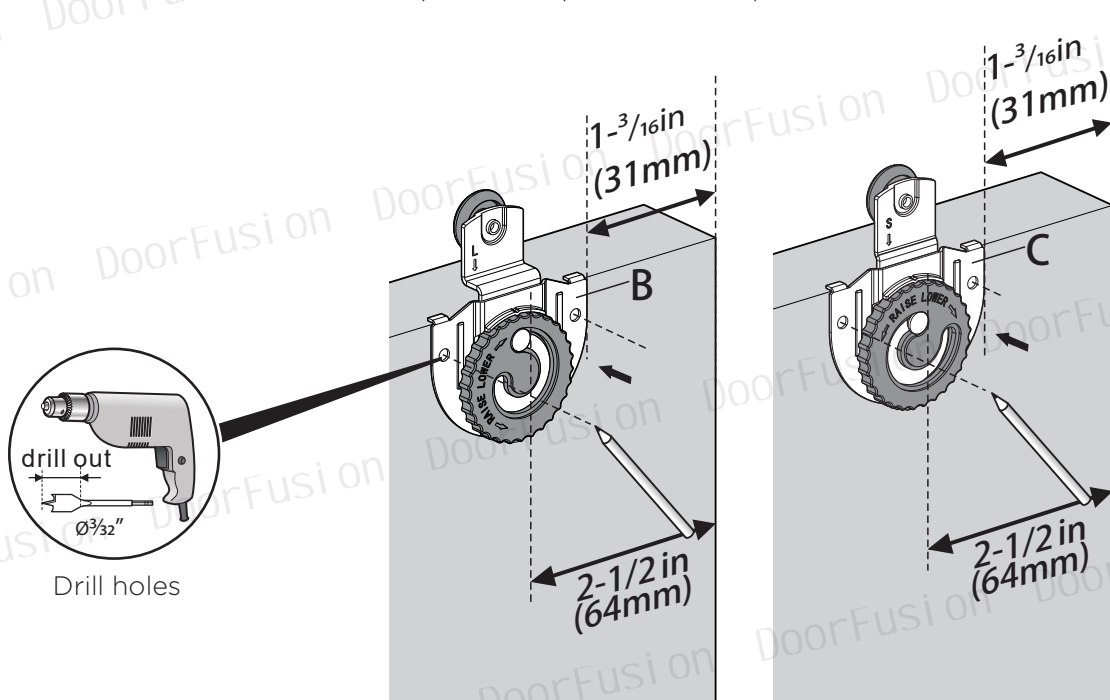
Straight Roller x2



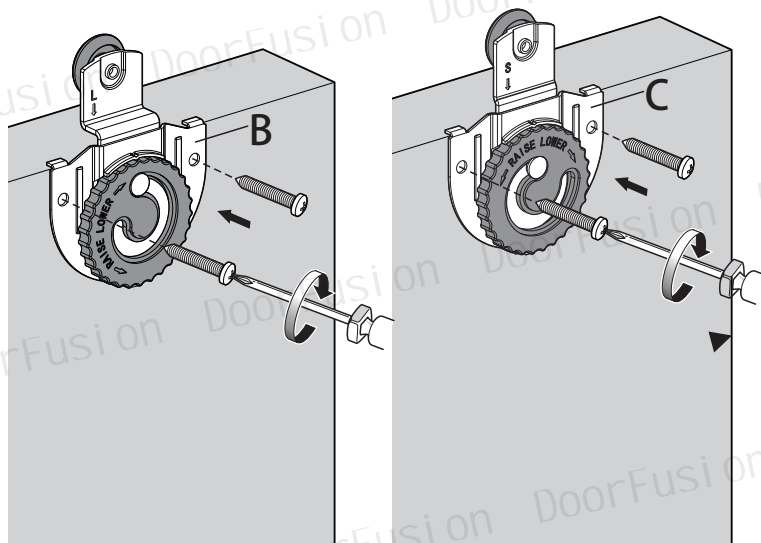
Attention: There are two types of rollers. Please attach the same rollers to one door.

The side with roller should be facing inward. The holes for finger pull are pre-drilled. Please make sure the side with the pull hole is outward and the roller should be attached to the other side of the door.

Lay the doors face down and seat the roller on the door top, about 1-3/16inch away from the edge of the door and mark the drill point with pencil. Same operation for two doors.

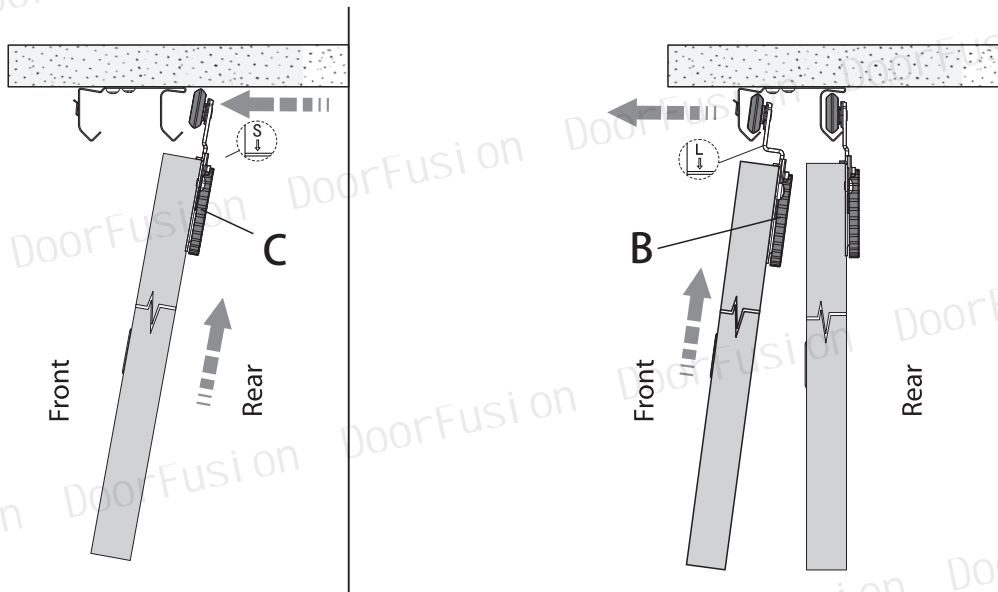


Attach rollers to the door with screws (4.2mmx16mm)



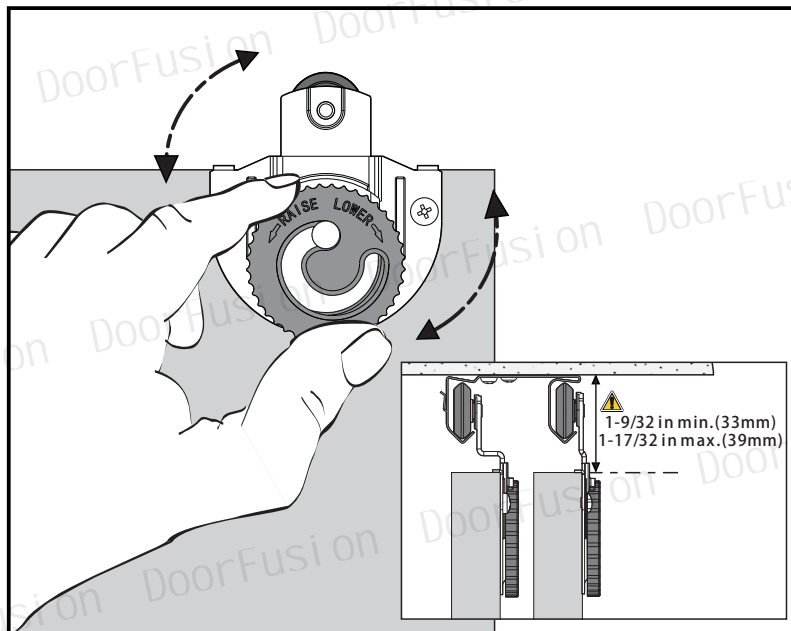
Product Installation

Step 4 Hang the door to the track



First hold the door attached with **C type** roller (straight one) with at least 20 degree angle to hang the door to the **back track**

Later hang the door attached with **B type** roller (L-SHAPED) to the **front track** with 20 degree angle.

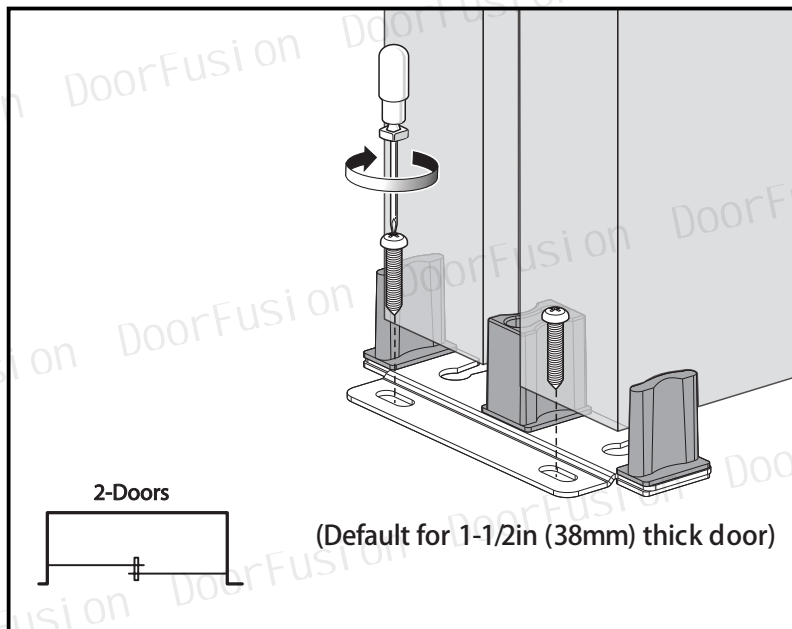
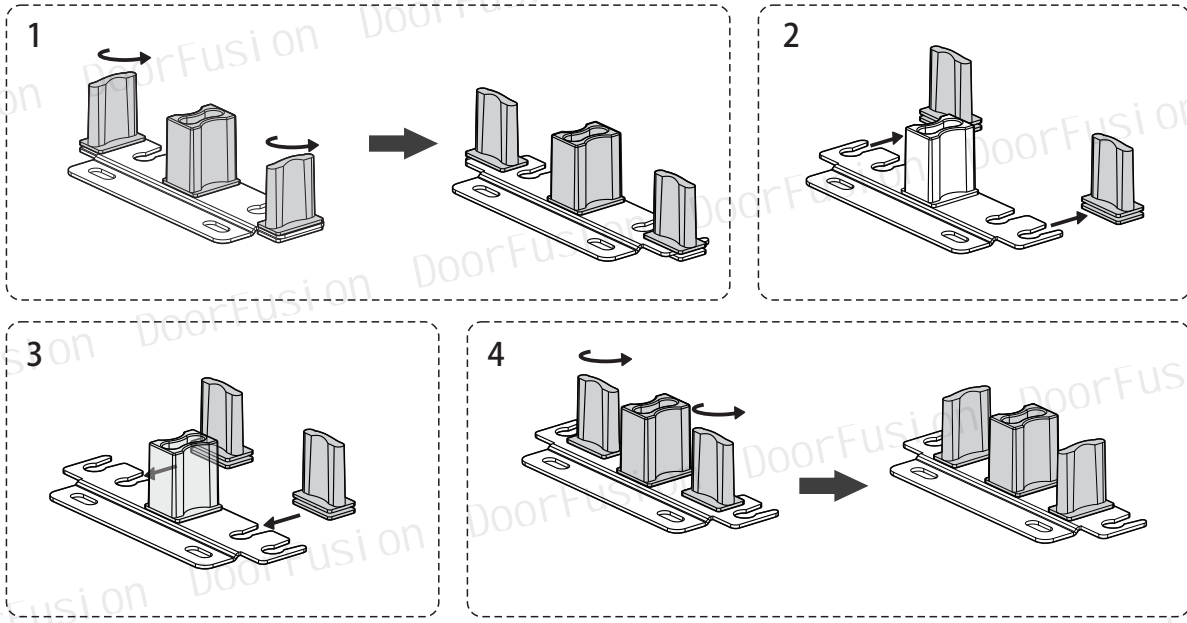


Slide the door close to the door jamb. If there is a gap between the door and the door jamb, rotate the plastic gear until the gap is eliminated.

Product Installation

Step 5 Install floor guide

Assemble the floor guide. The nylon plate is removable and adjustable. Please assemble the floor guide according to the door width. Our door thickness is 7/8inch. Following is the assembly way to match our door size.

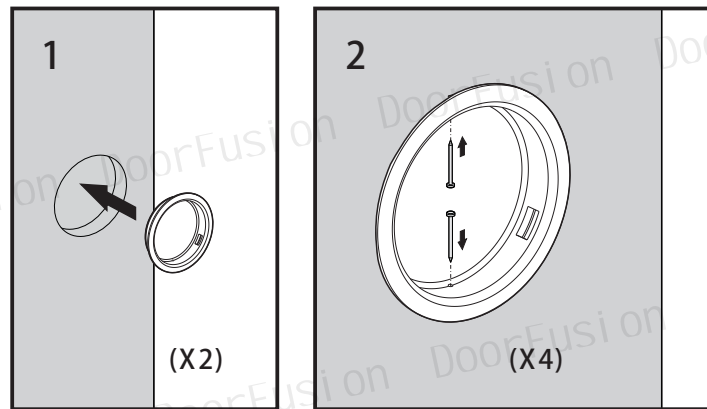


Slide the door close to one door jamb and install the floor guide and secure with screws(4.2mmx 19mm)

Product Installation

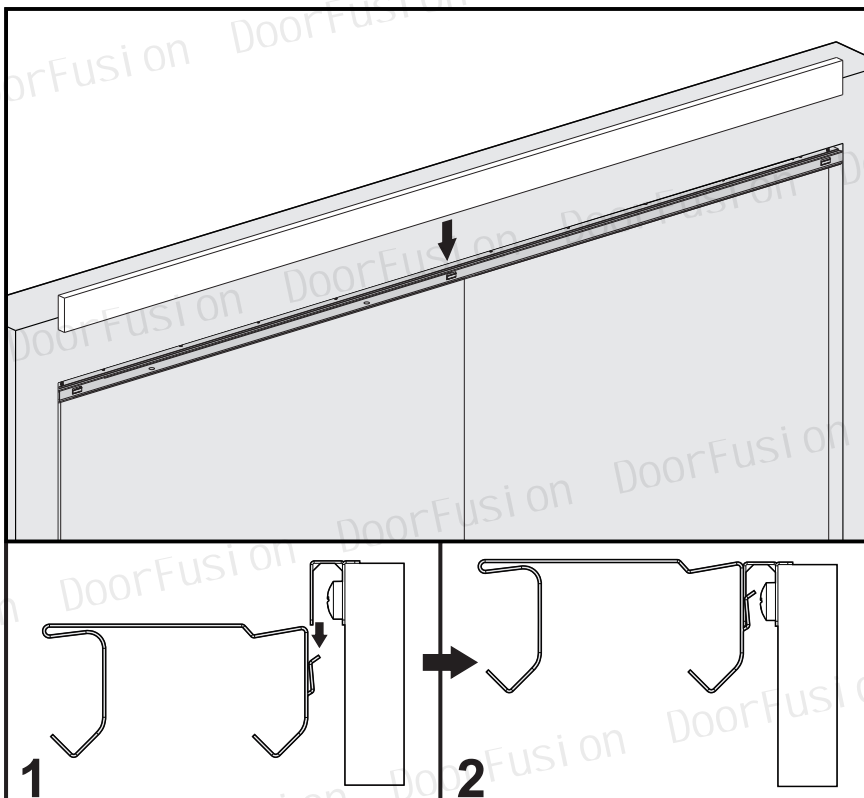
Step 6: Install finger pull

Insert round pull to the door hole and secure the handle with two pins.



Step 7: Hange Fascia

Attention: On the track, there are three clasps, which is used to hold the fascia.



Hang the fascia to the track.