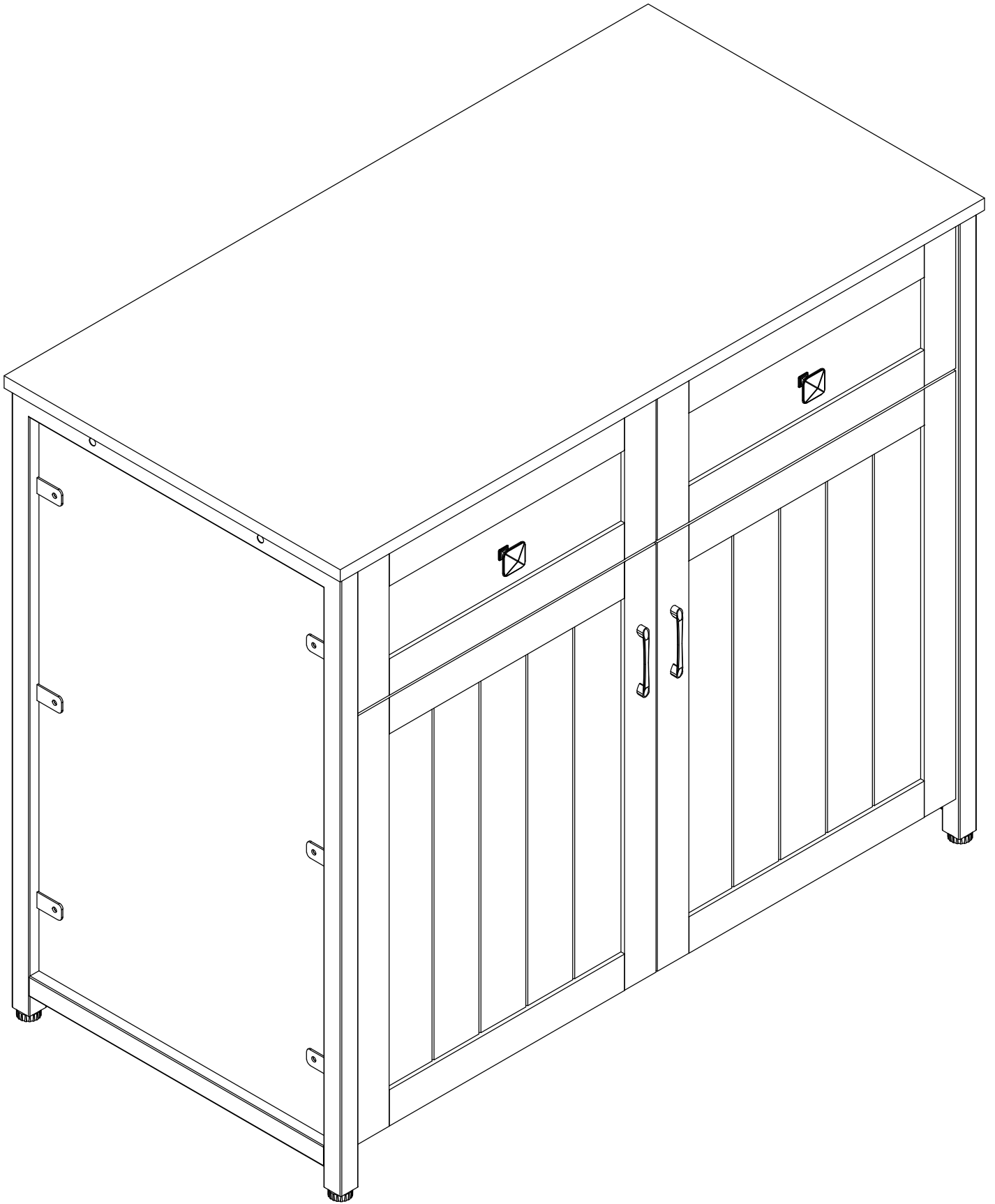
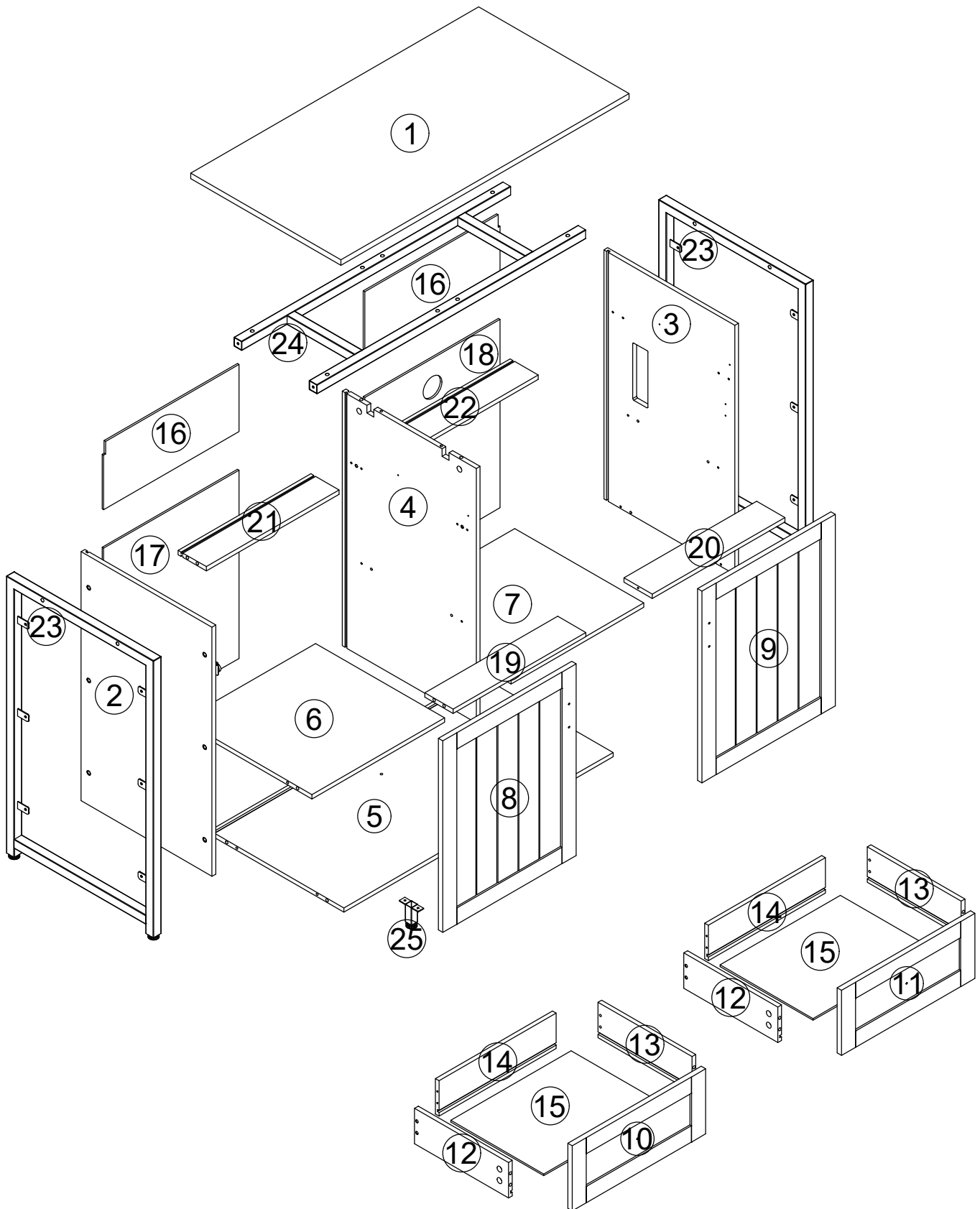


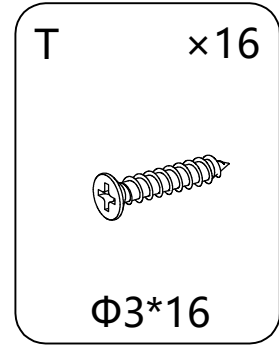
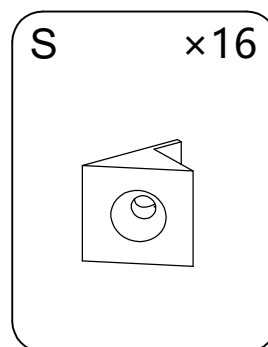
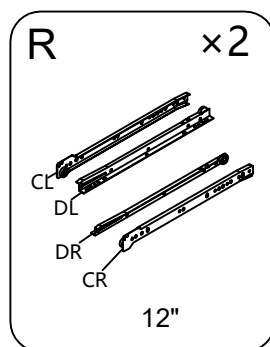
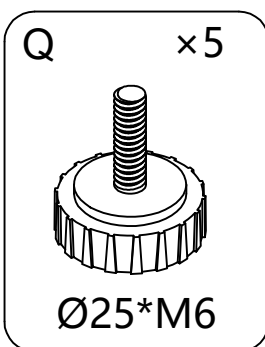
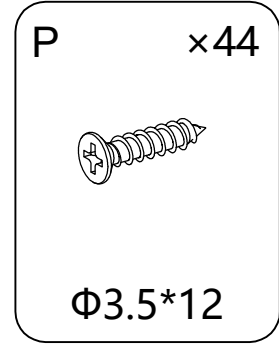
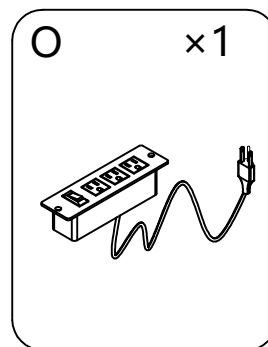
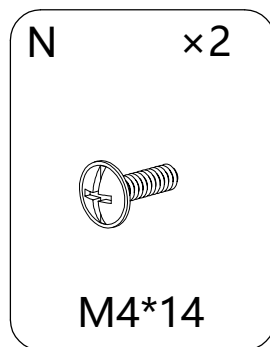
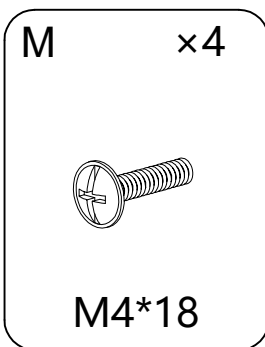
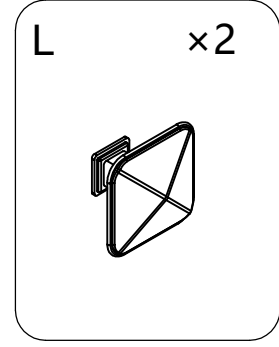
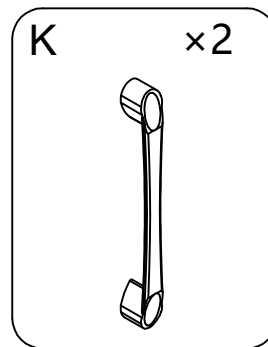
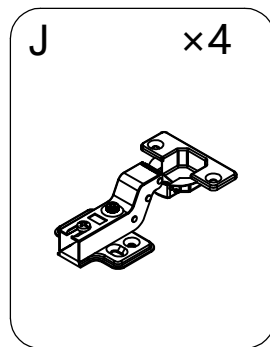
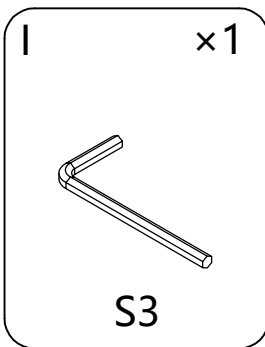
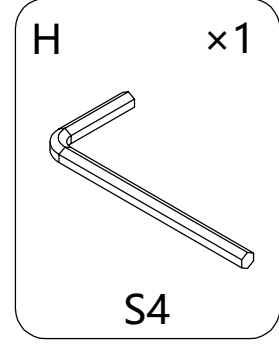
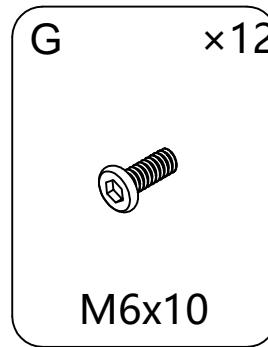
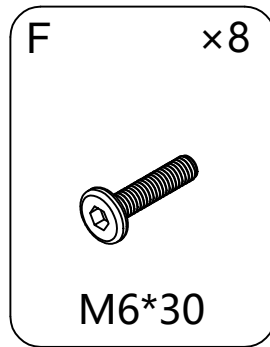
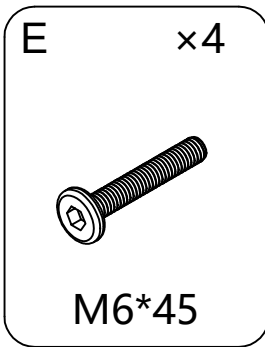
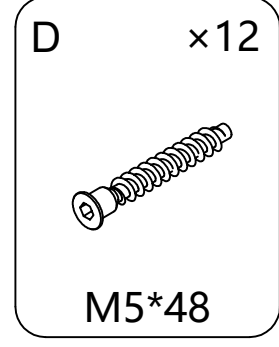
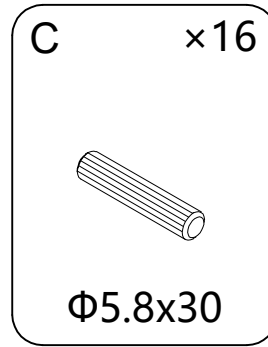
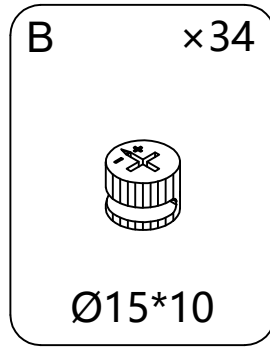
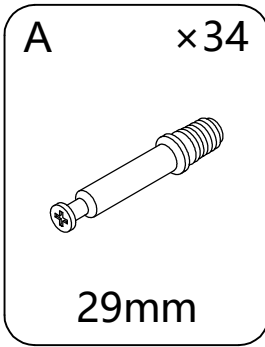
Installation & Assembly



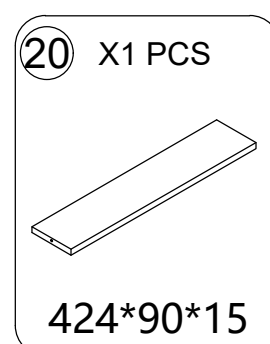
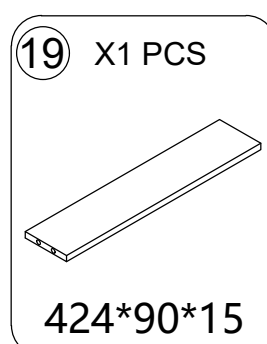
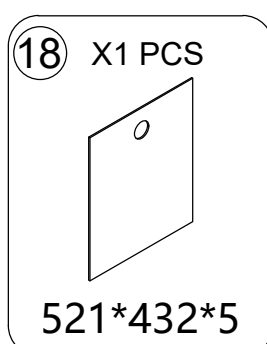
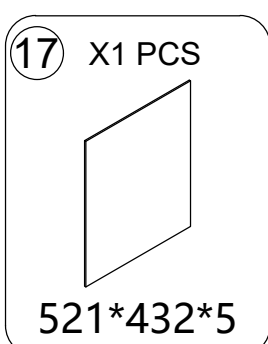
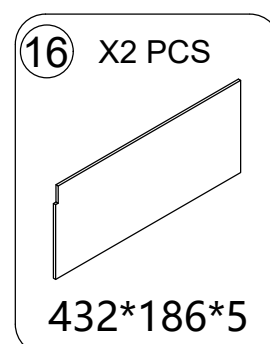
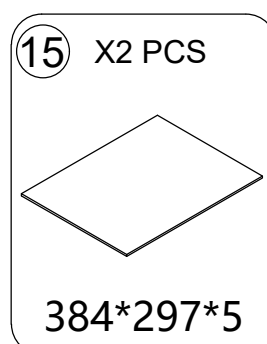
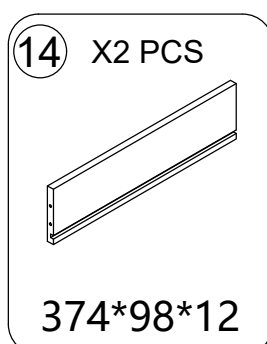
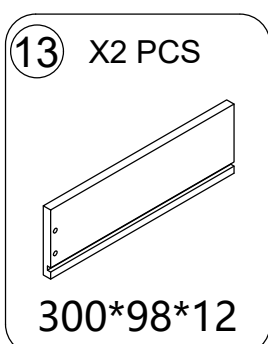
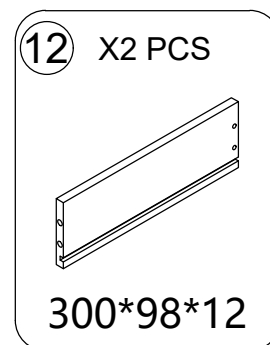
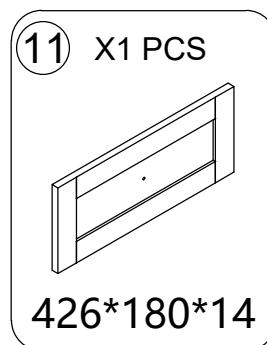
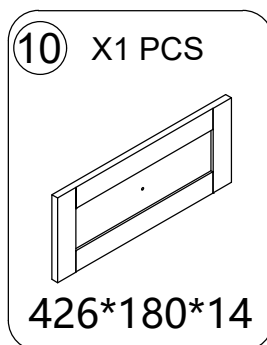
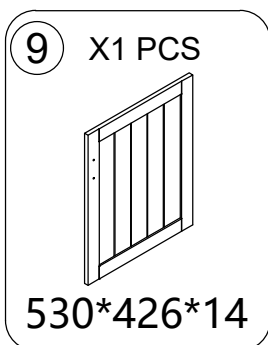
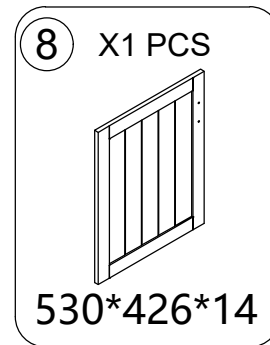
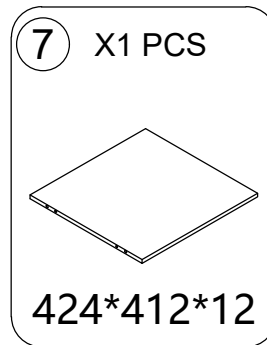
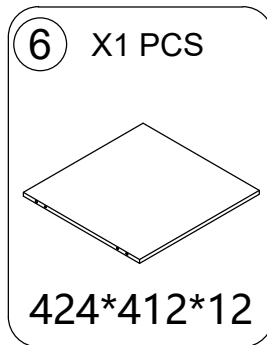
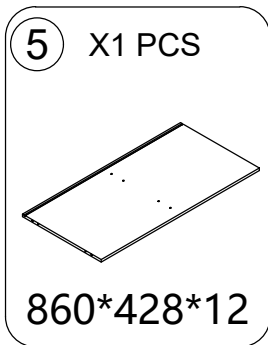
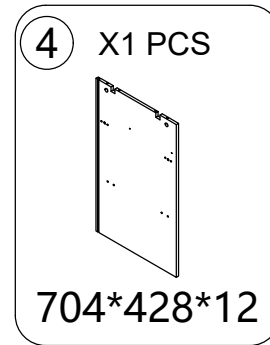
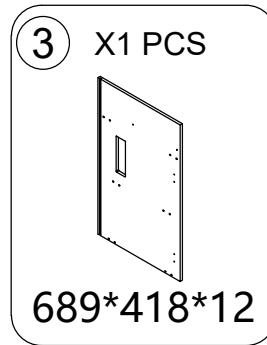
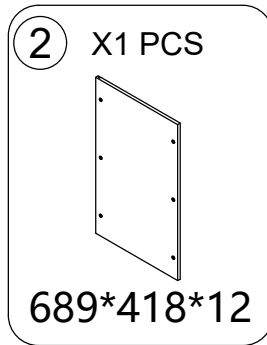
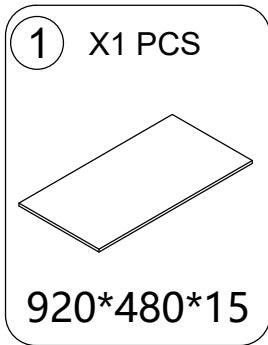
EXPLODED DRAWING:



PARTS:

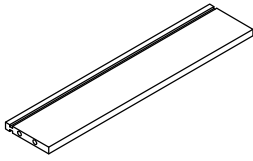


PARTS:



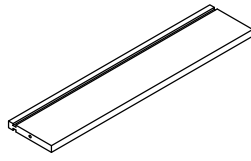
PARTS:

21 X1 PCS



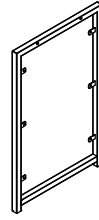
424*90*15

22 X1 PCS



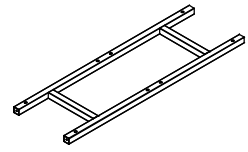
424*90*15

23 X2 PCS



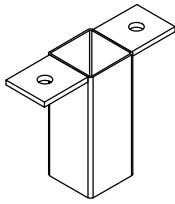
766*470*25

24 X1 PCS



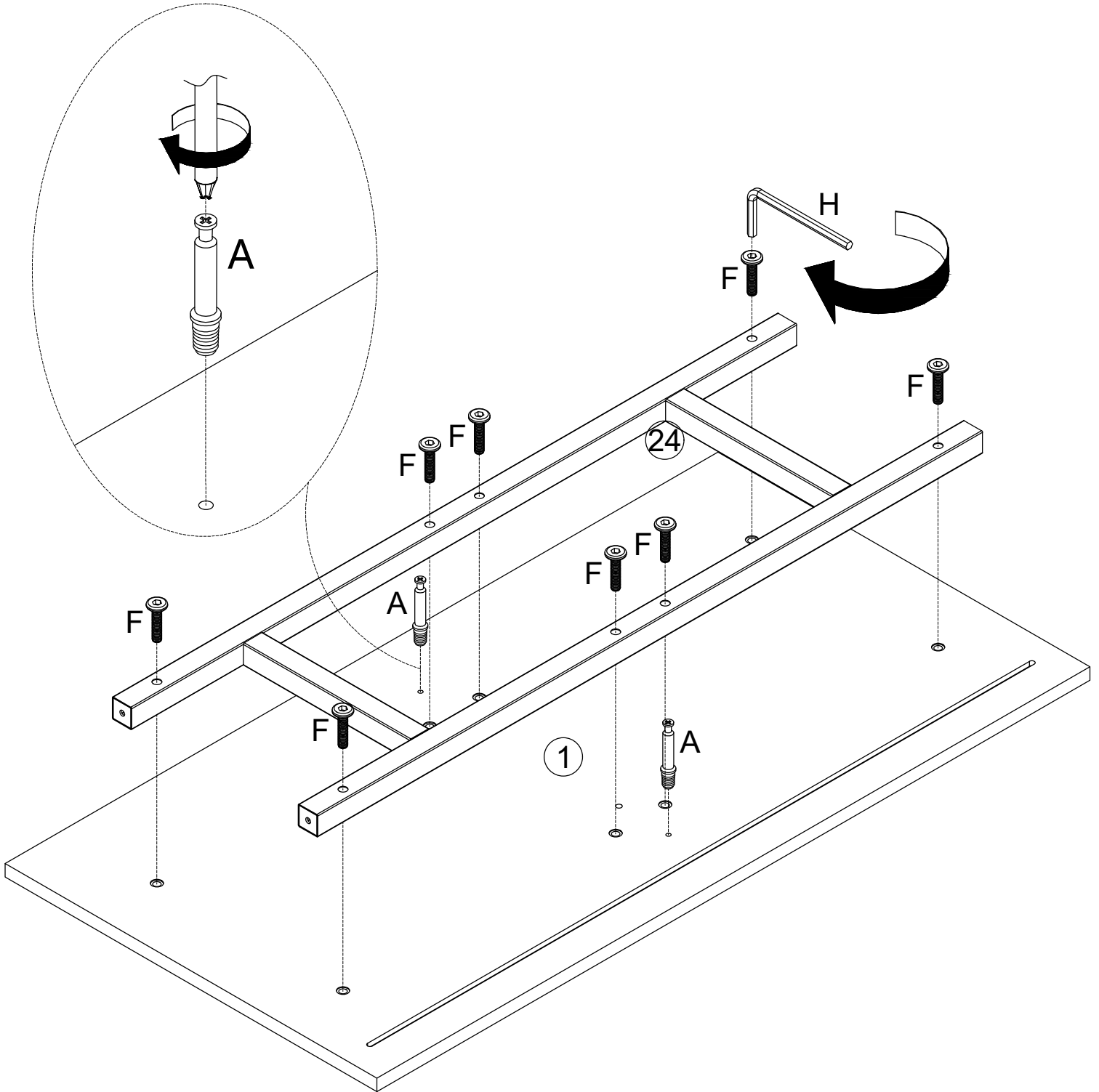
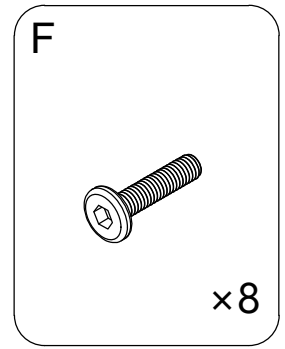
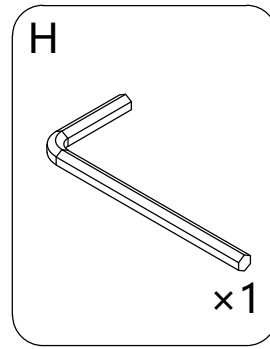
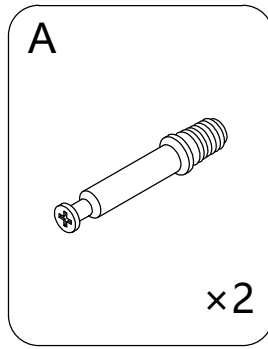
858*260*20

25 X1 PCS

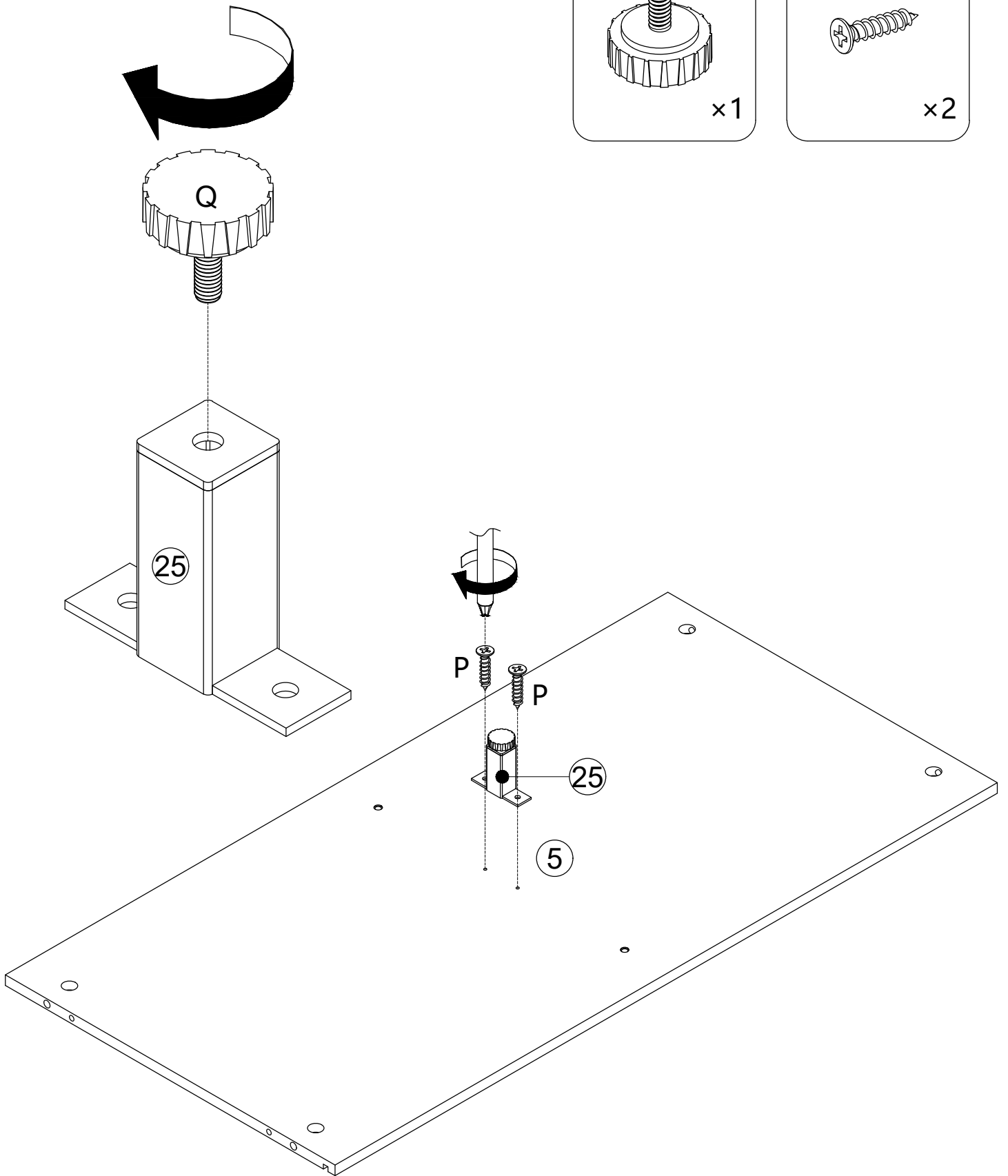
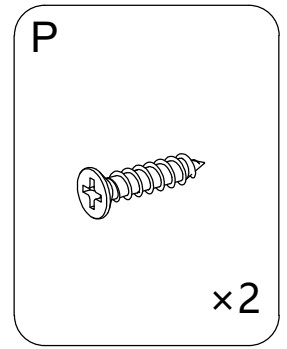
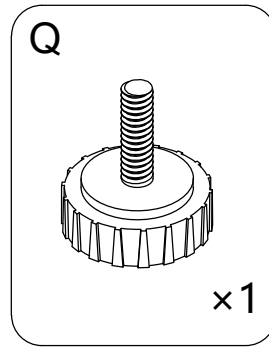


60*20*48

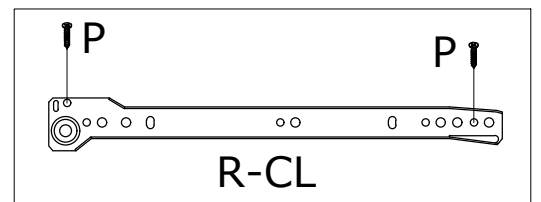
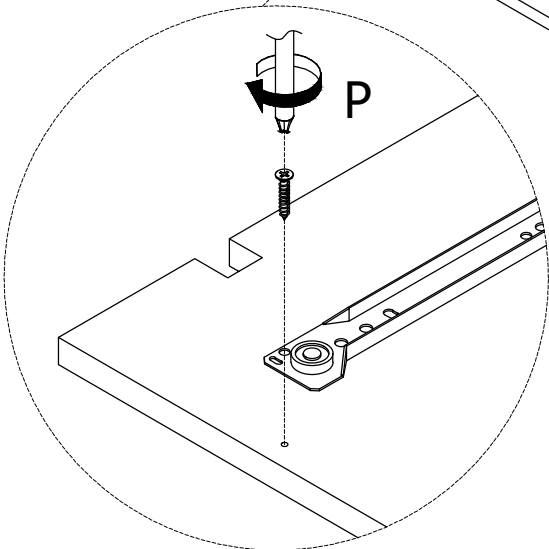
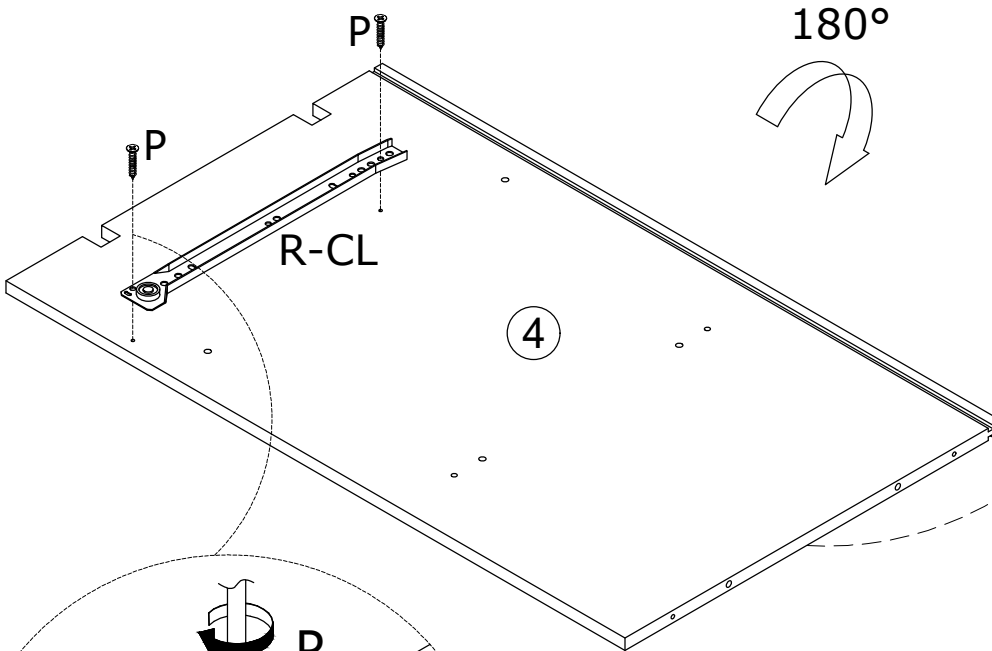
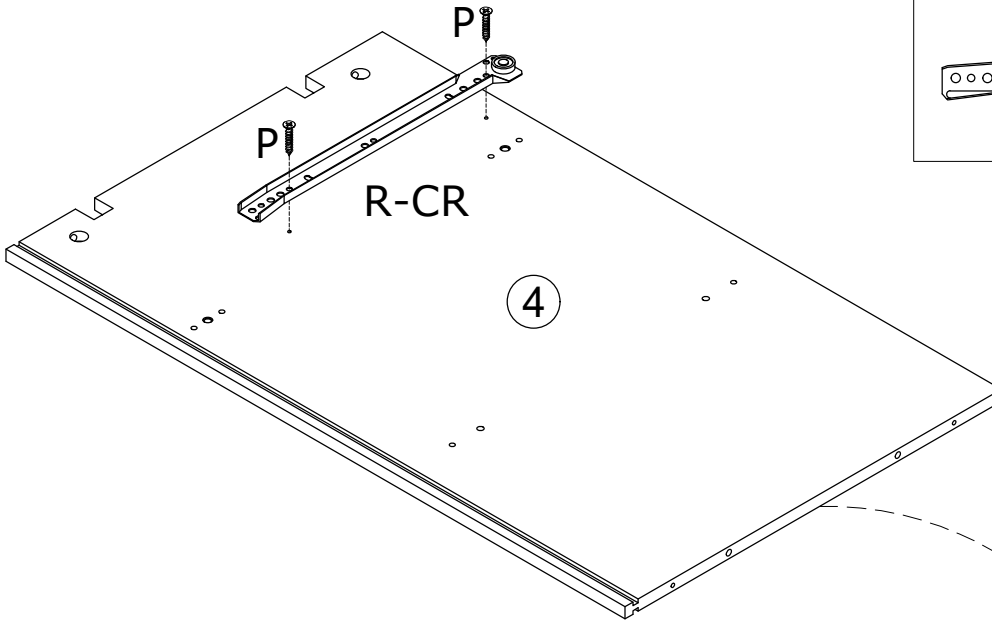
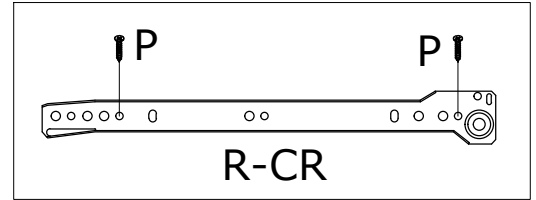
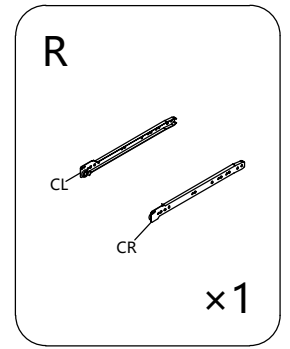
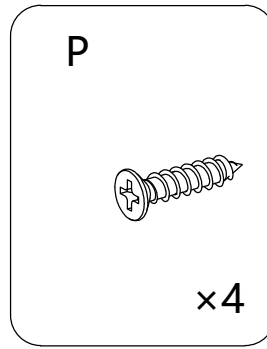
1.



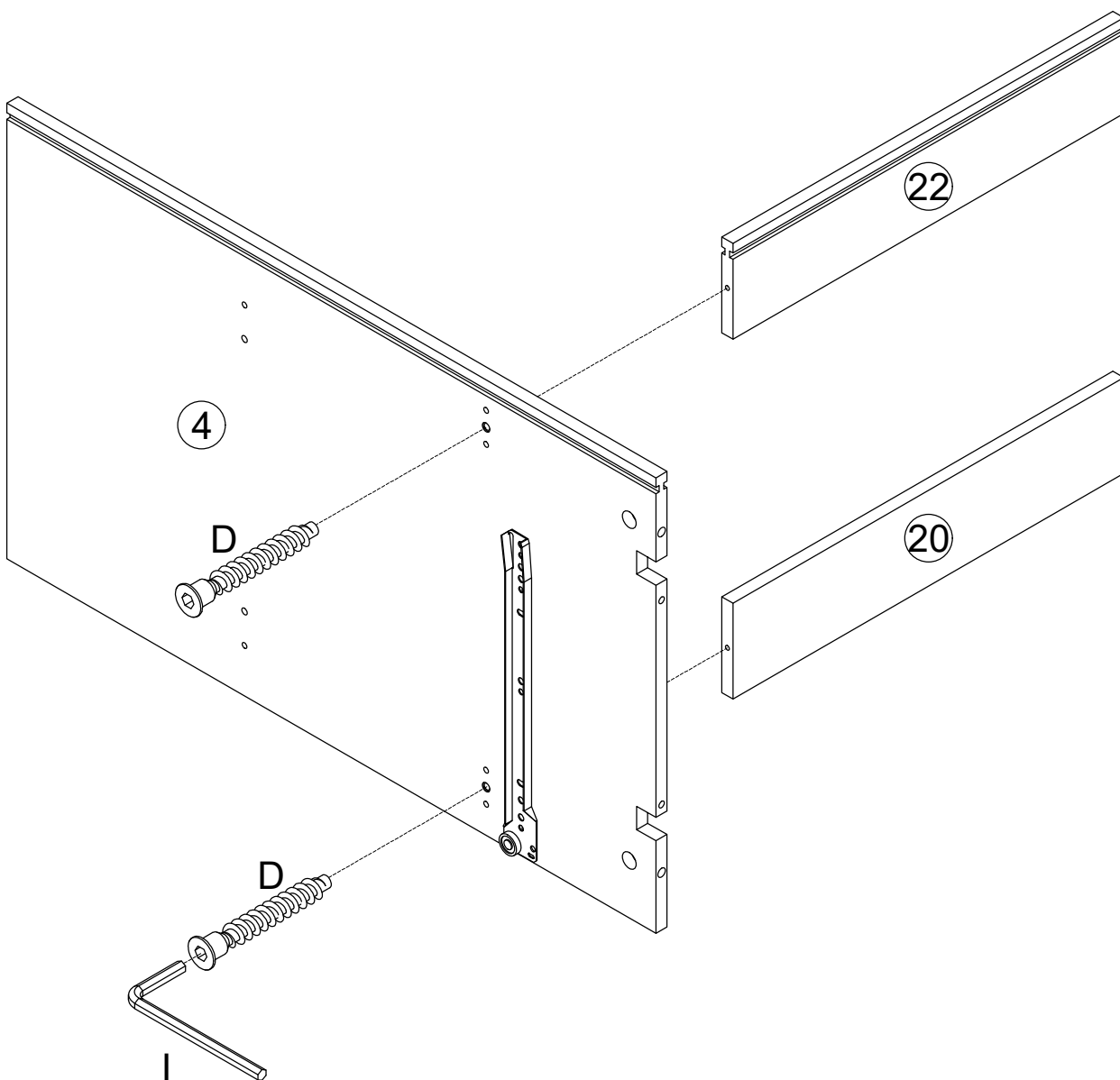
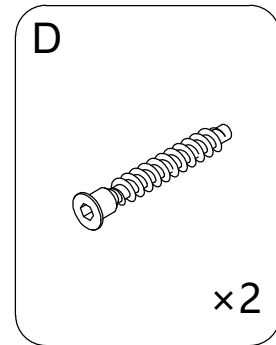
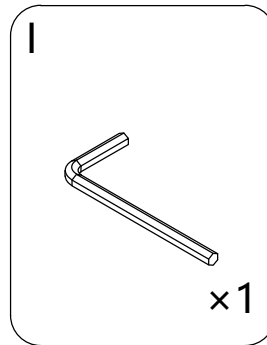
2.



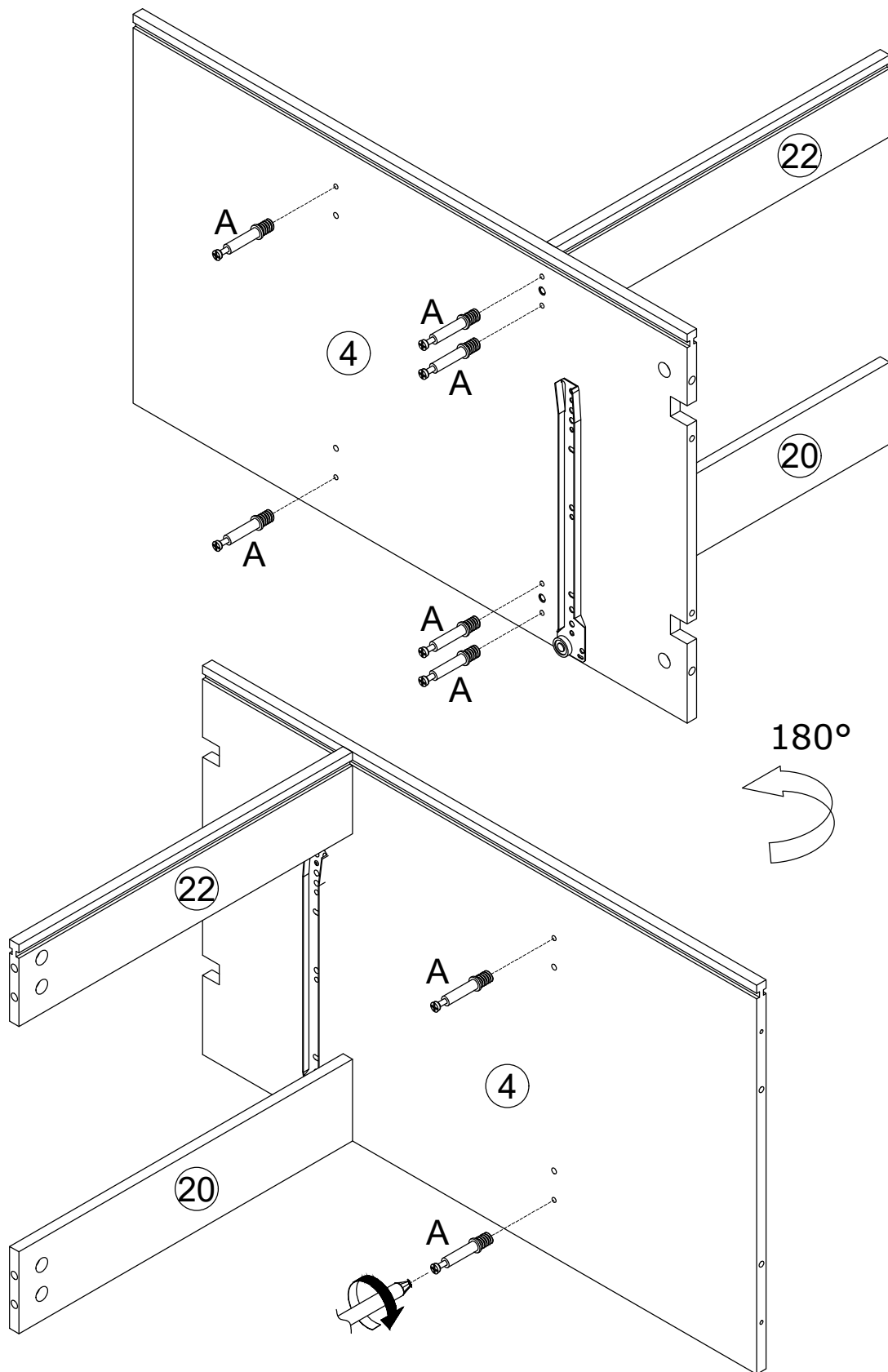
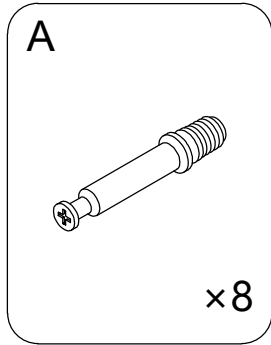
4.



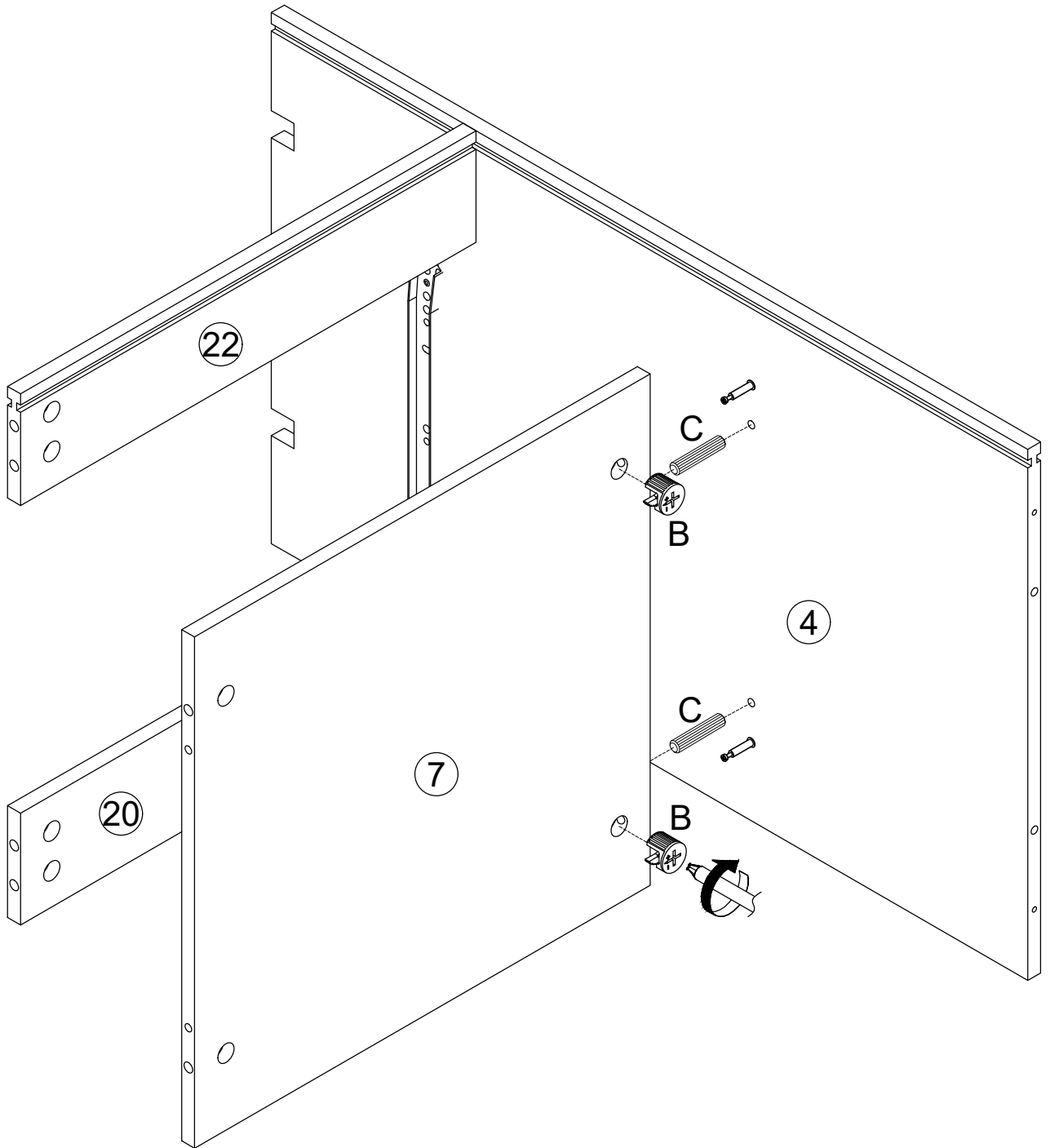
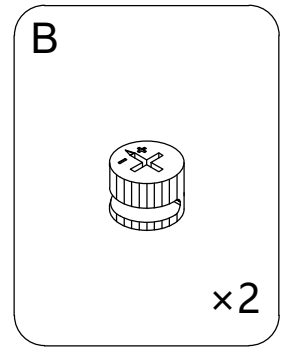
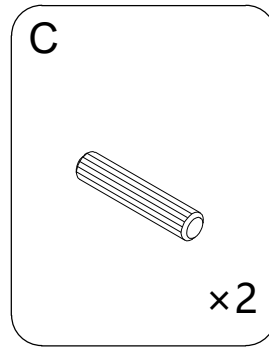
5.



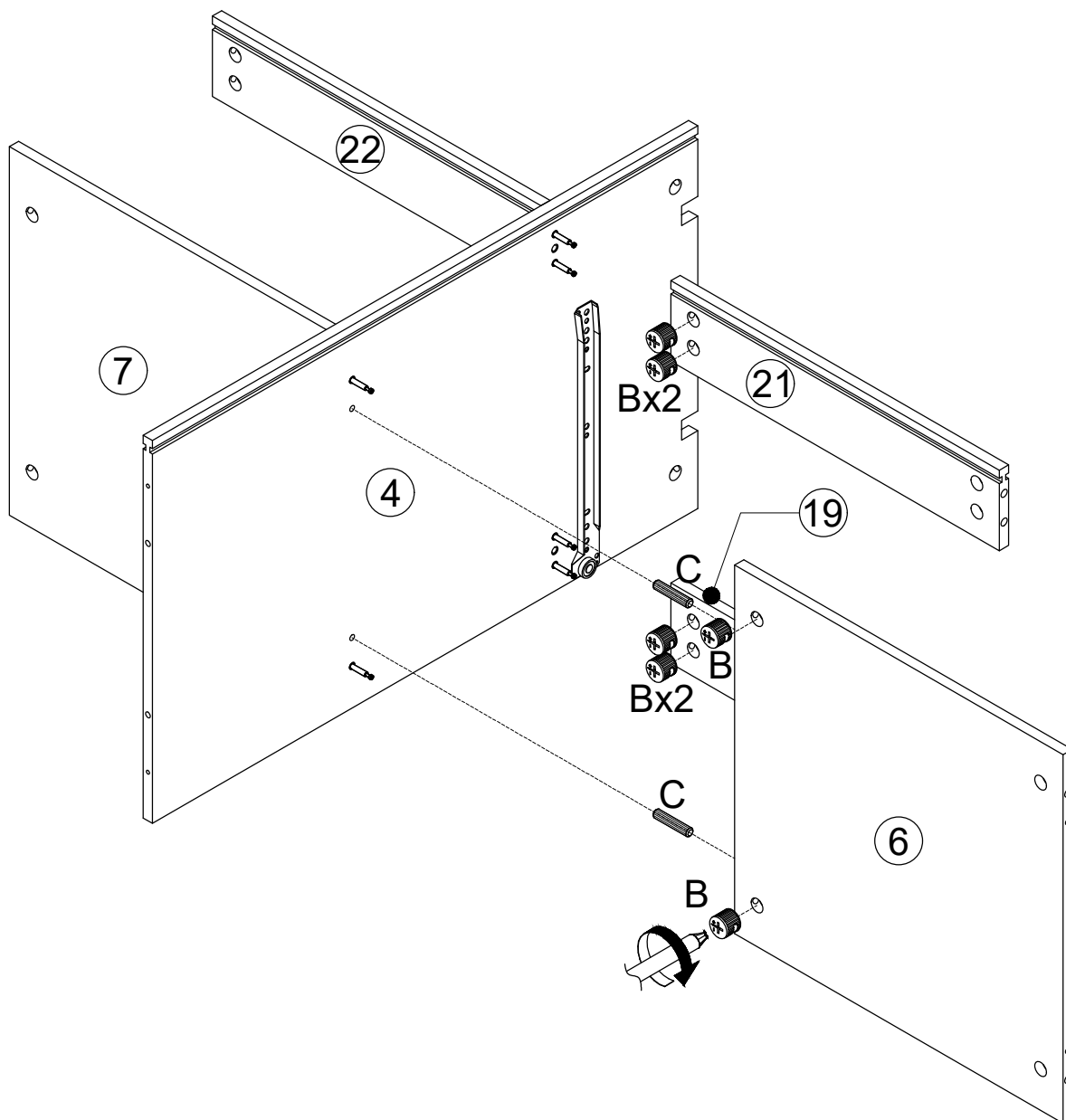
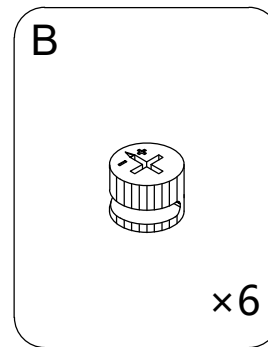
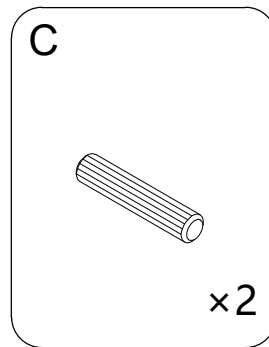
6.



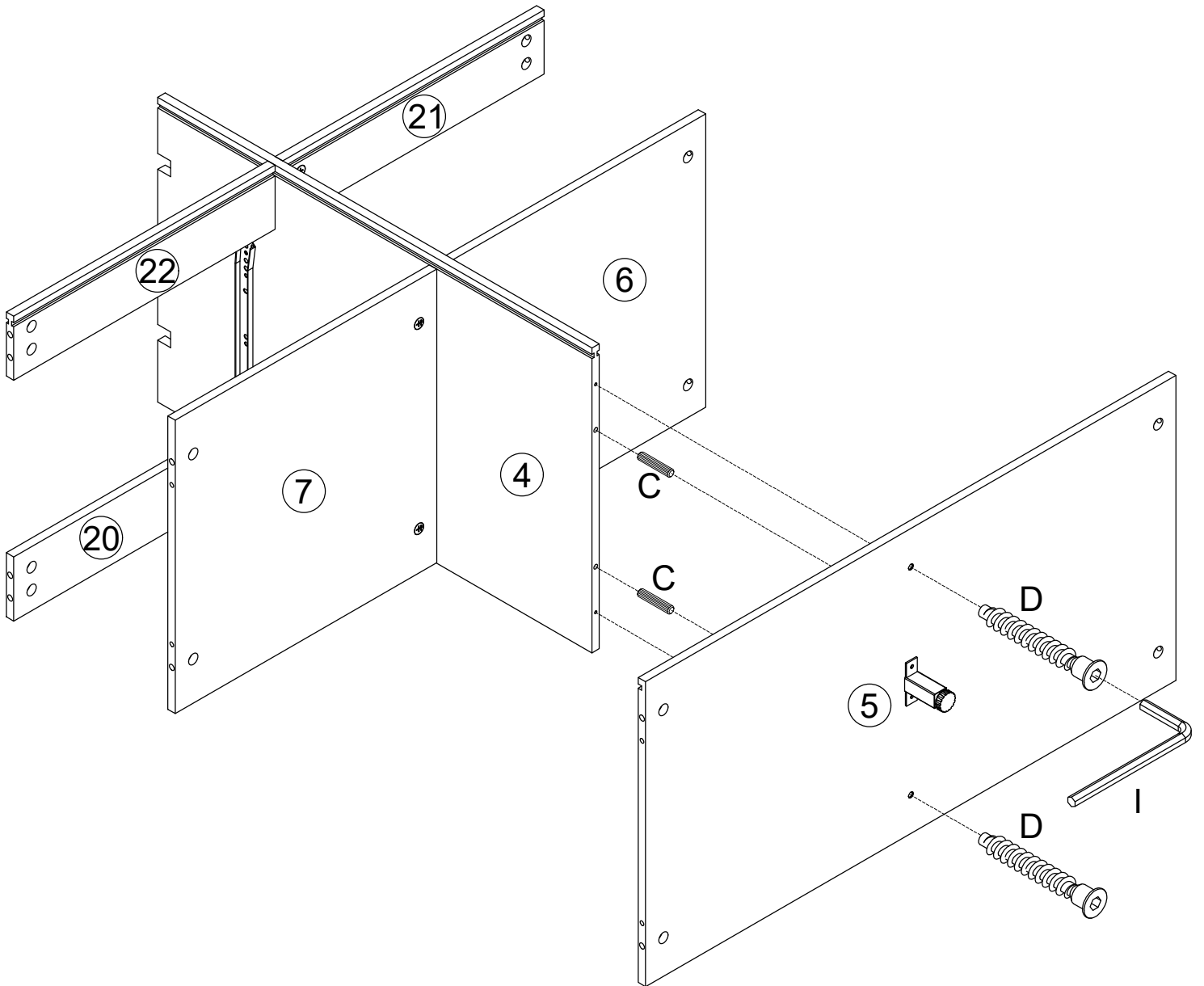
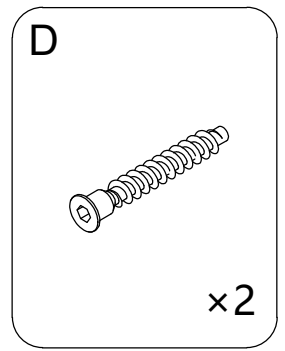
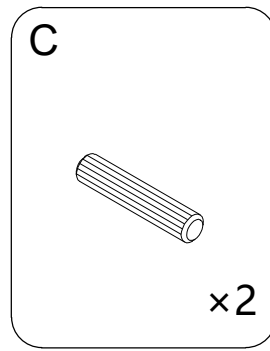
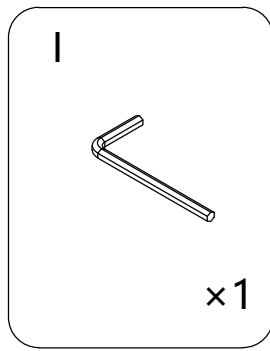
7.



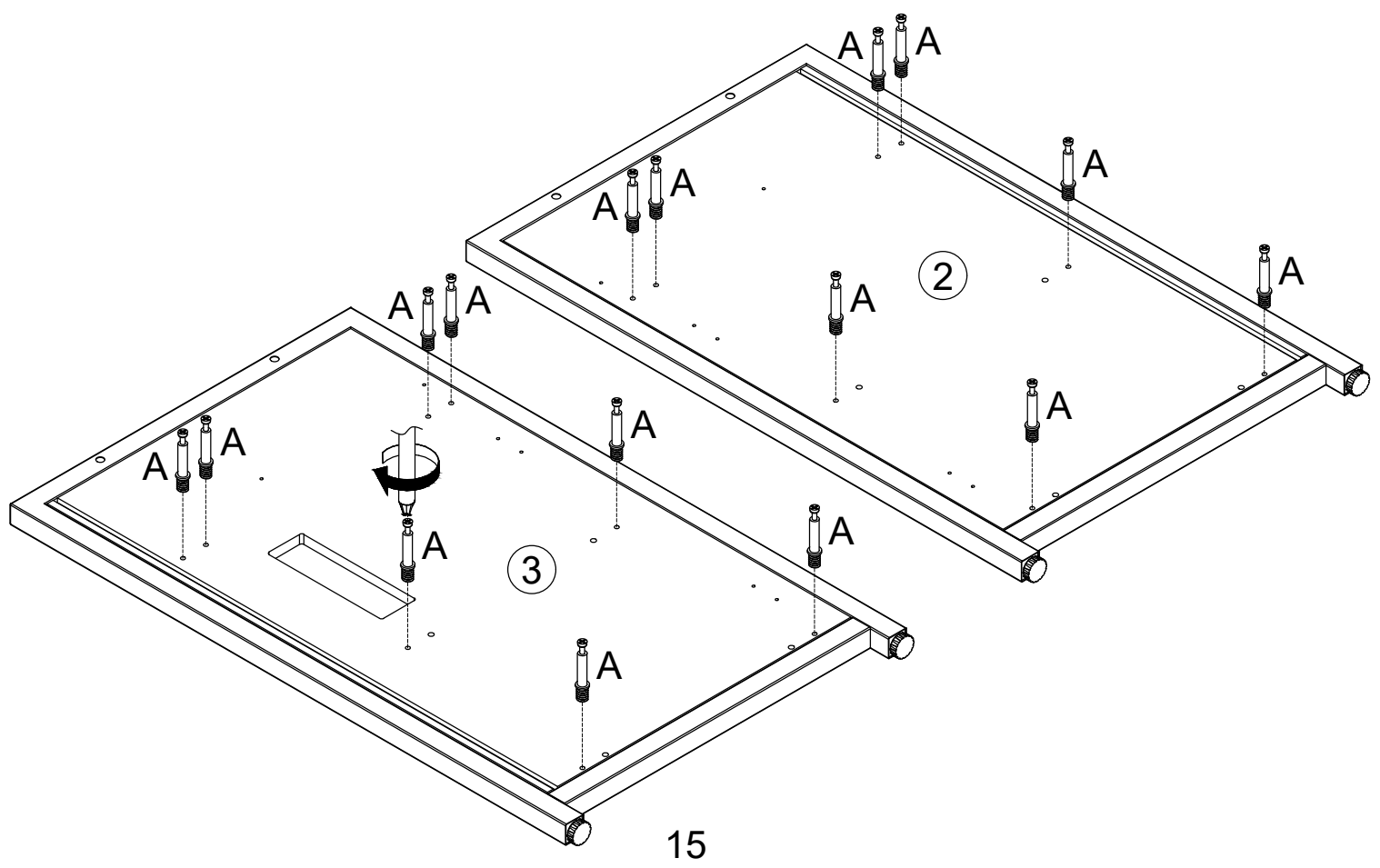
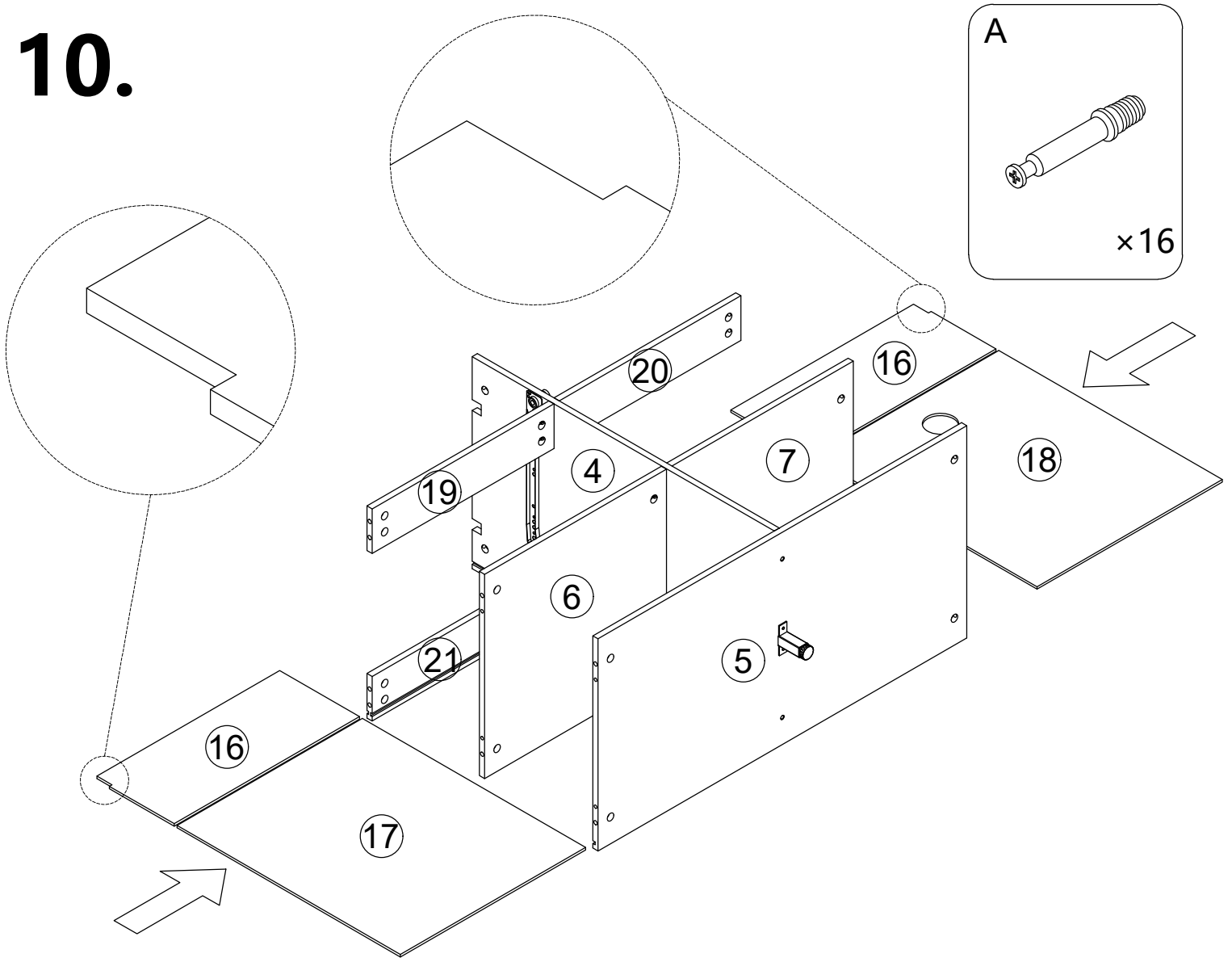
8.



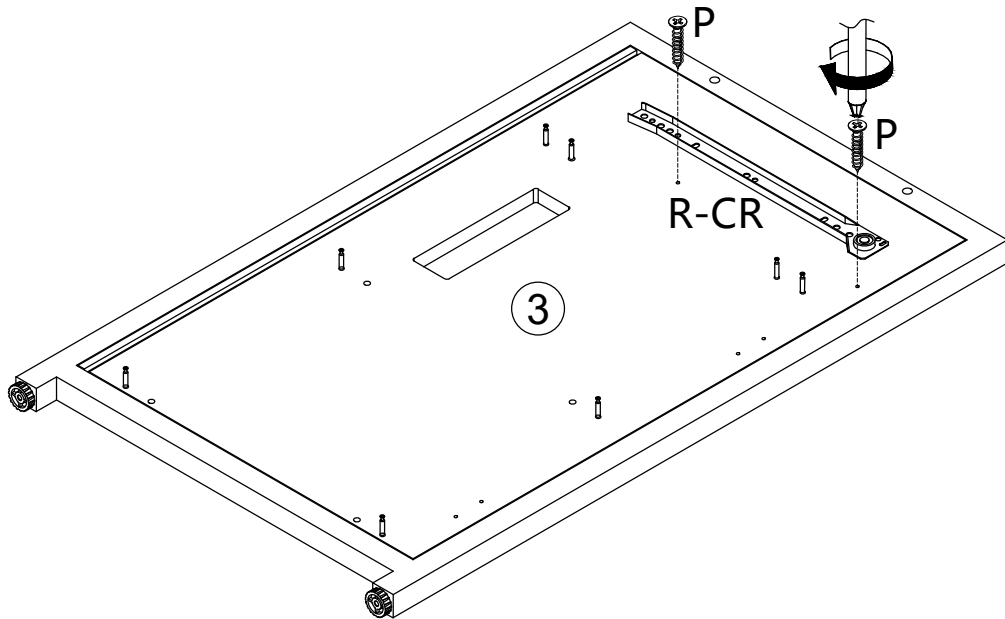
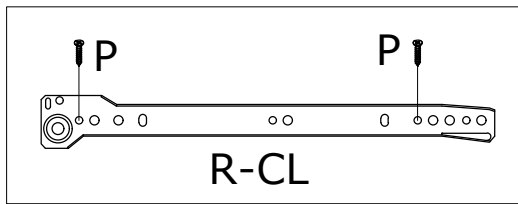
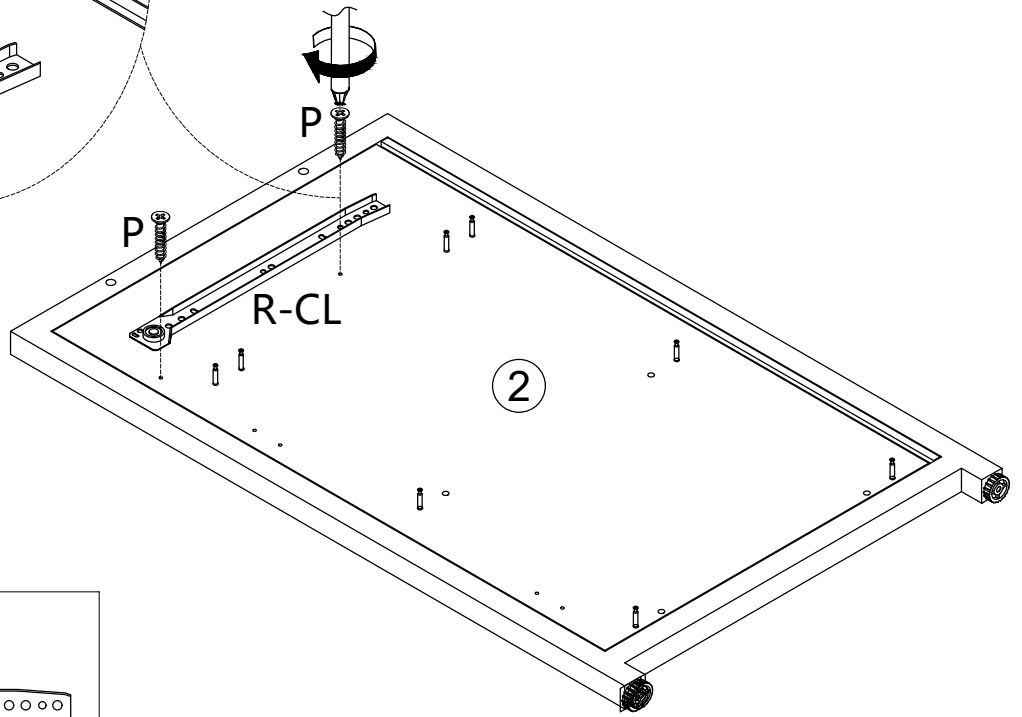
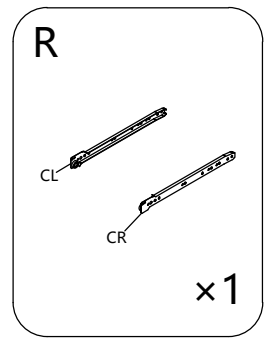
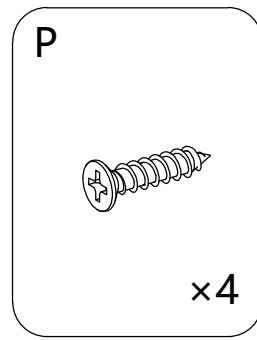
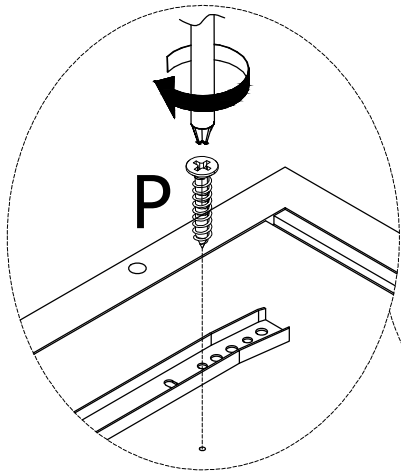
9.



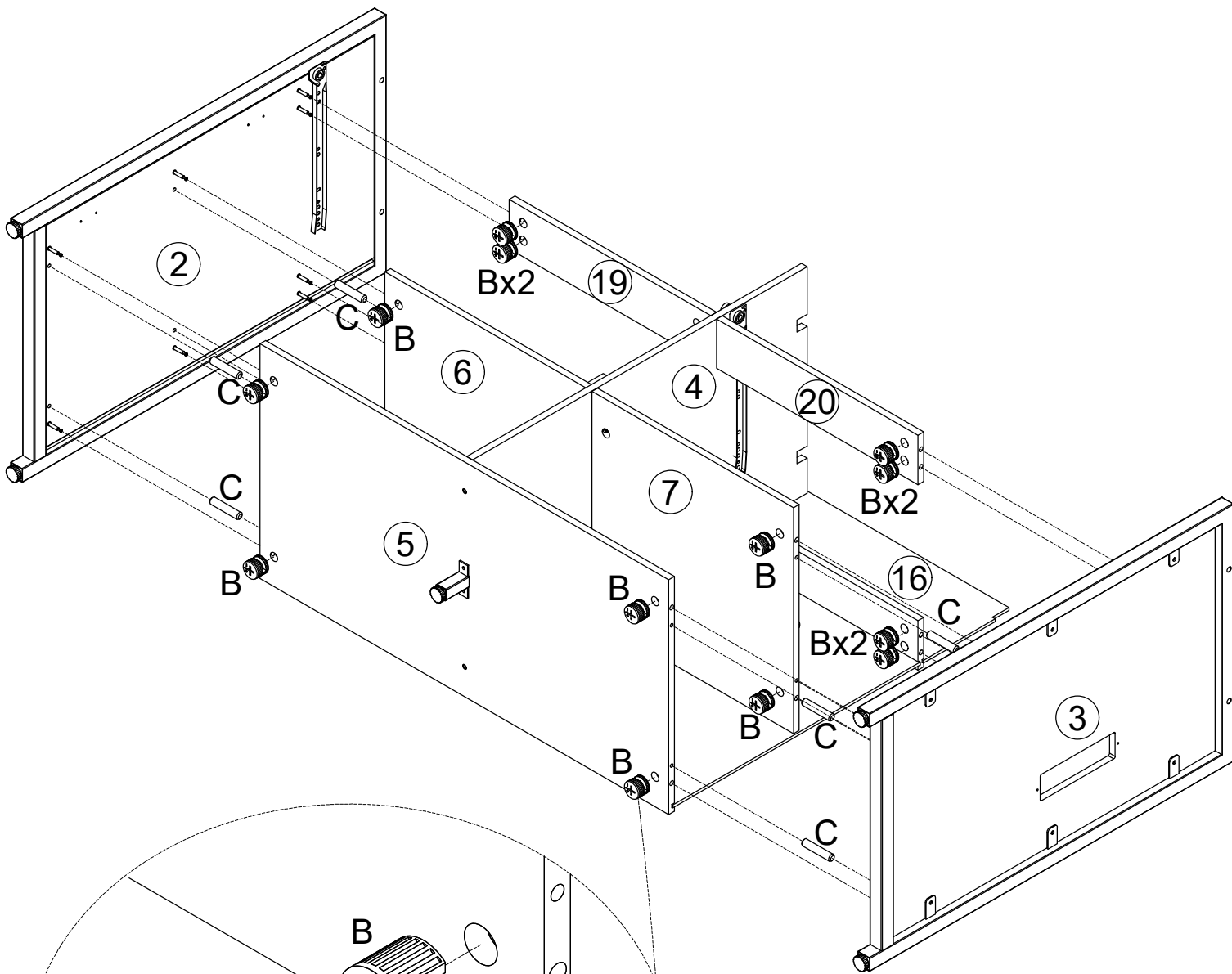
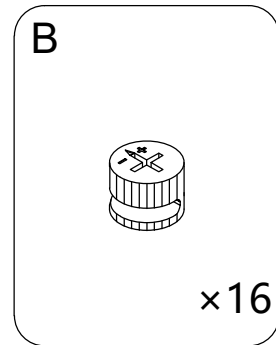
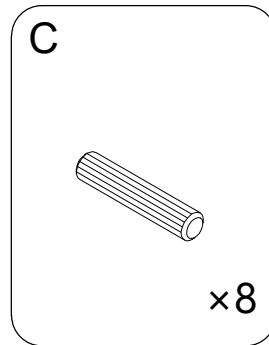
10.



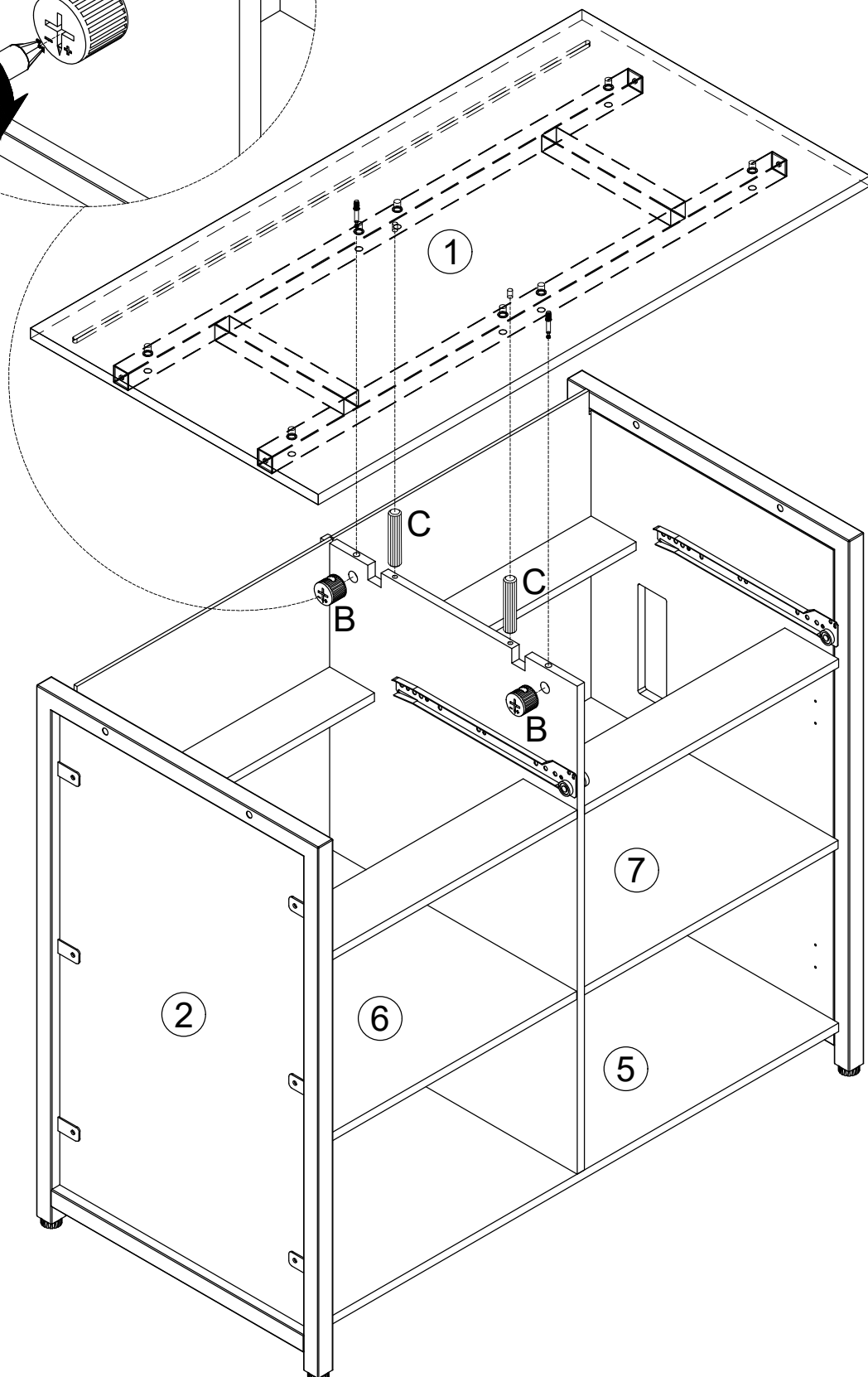
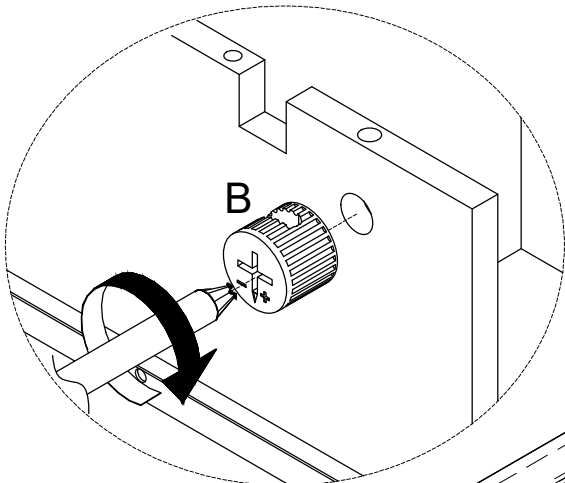
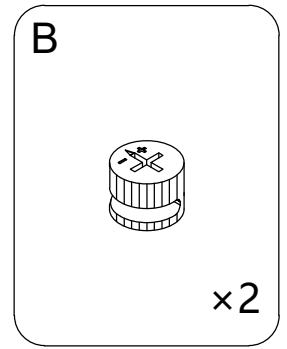
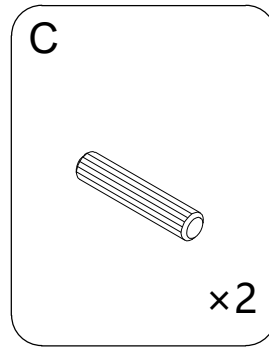
11.



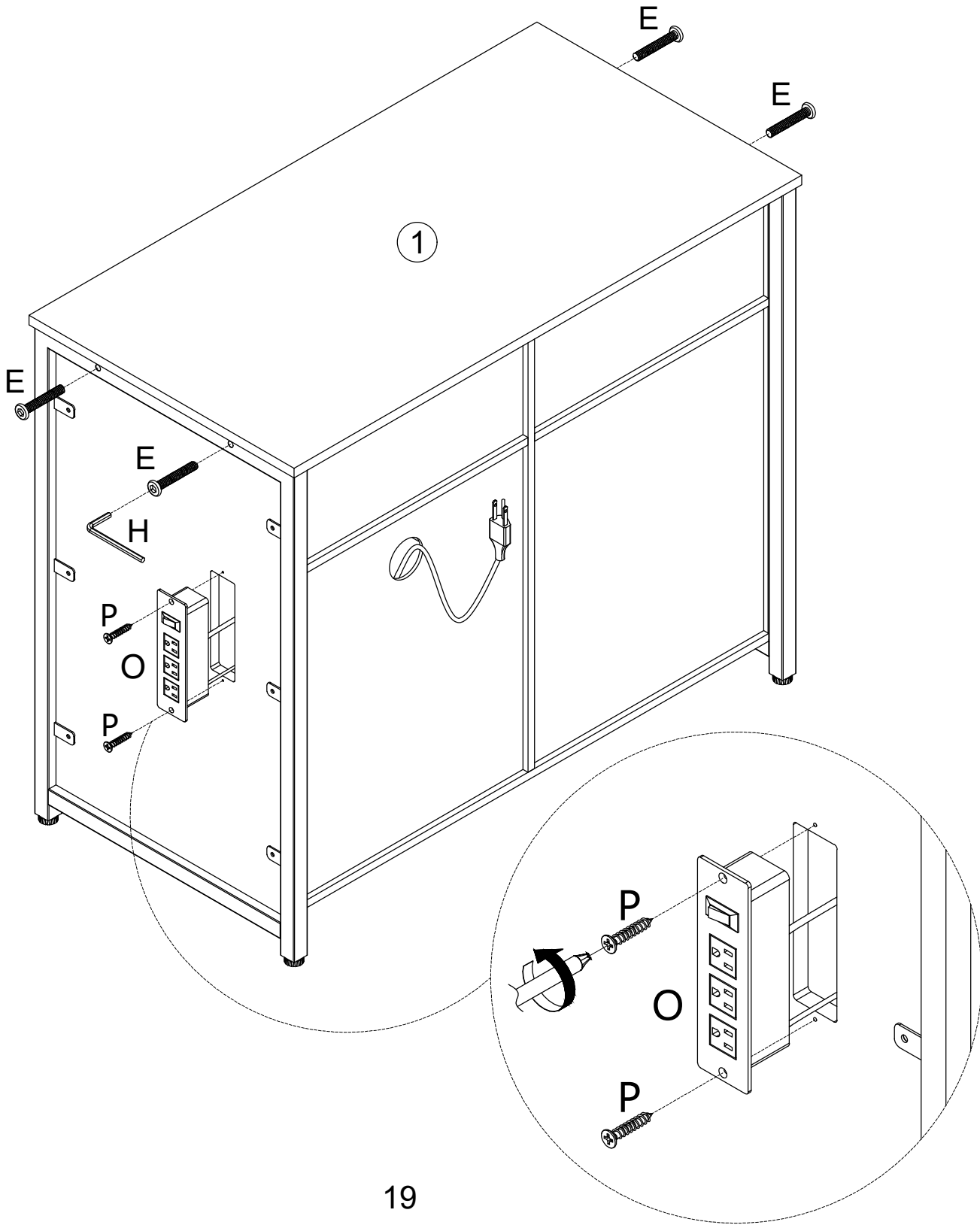
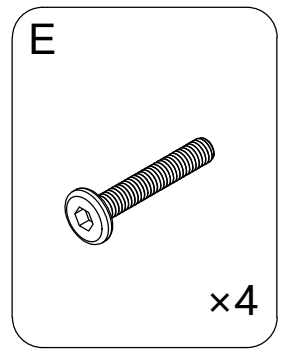
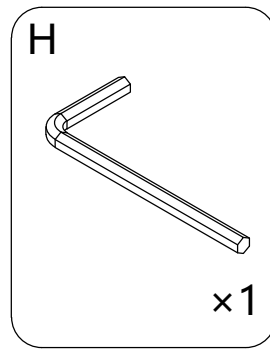
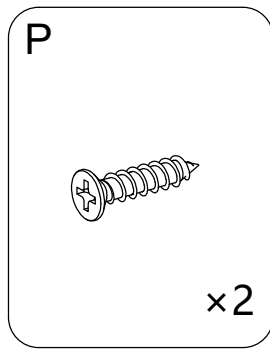
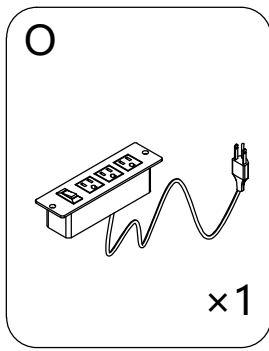
12.



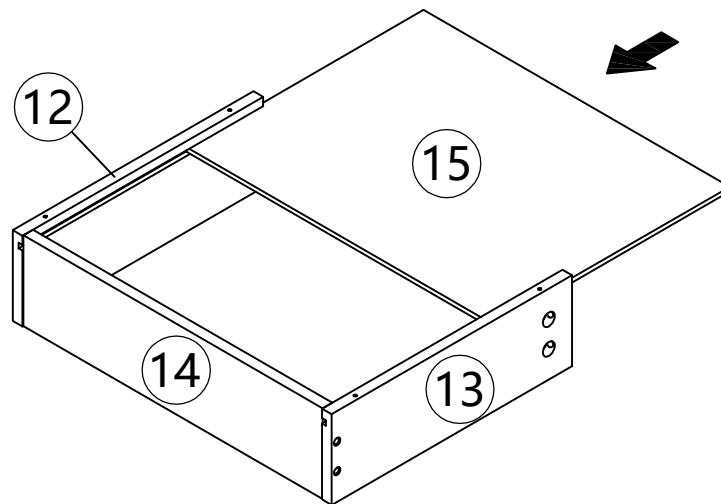
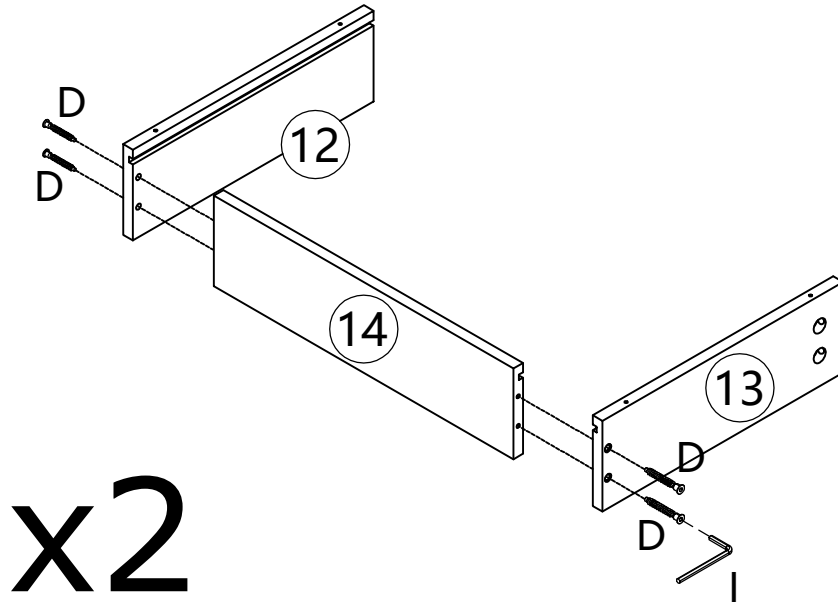
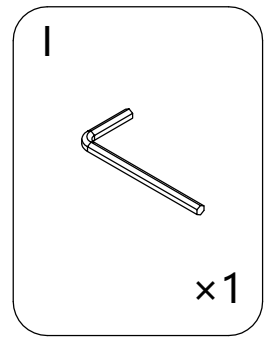
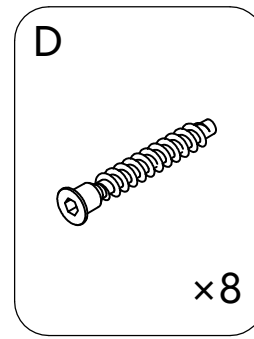
13.



14.

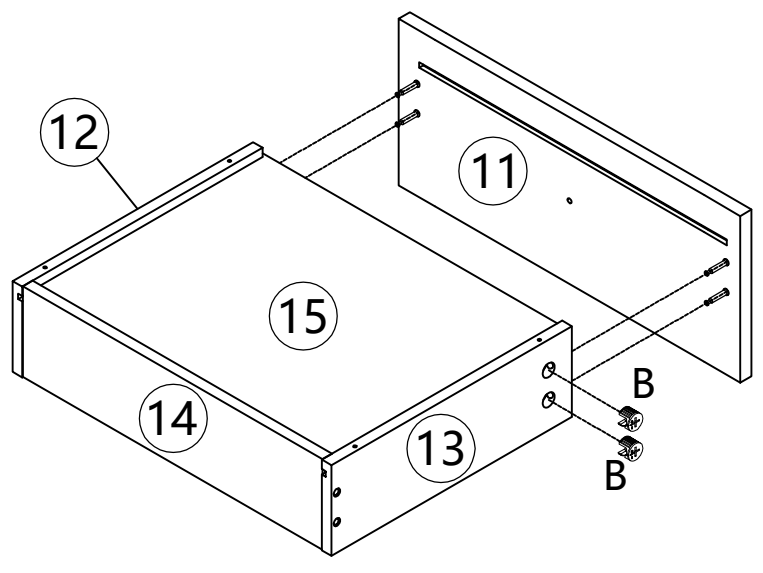
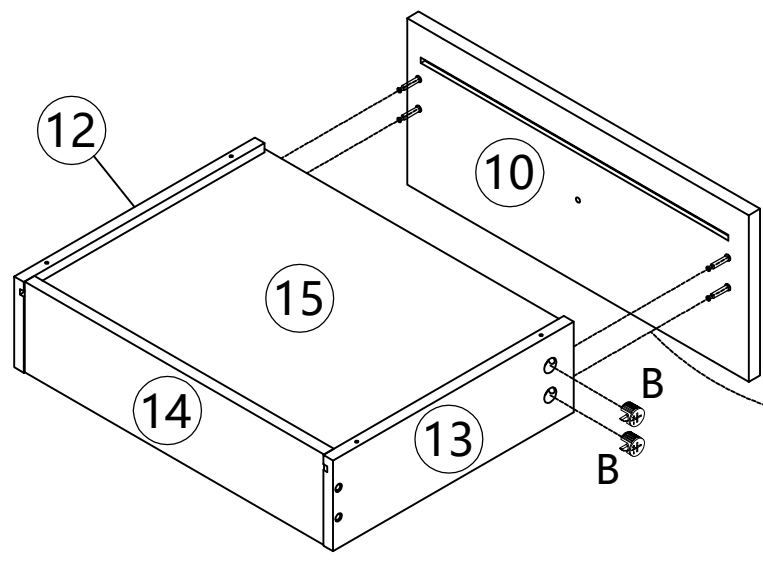
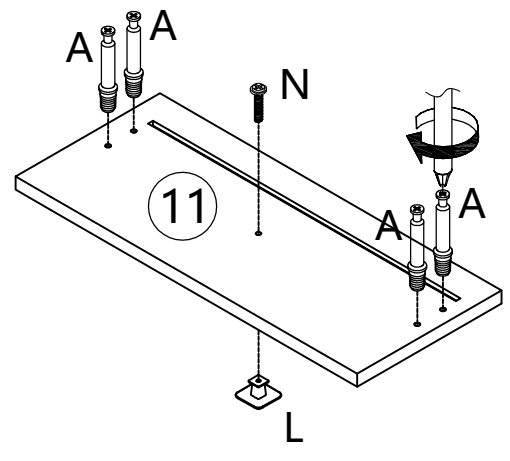
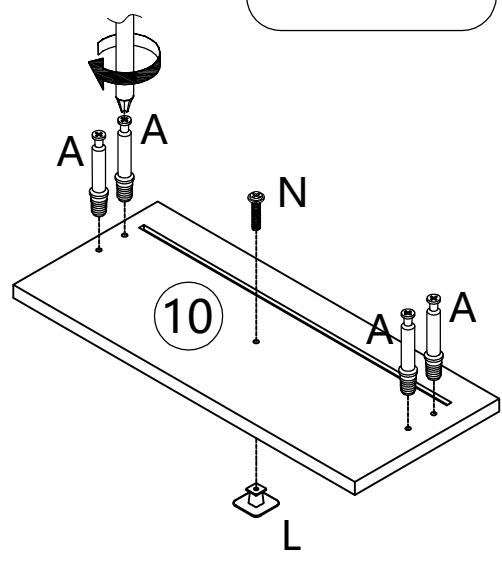
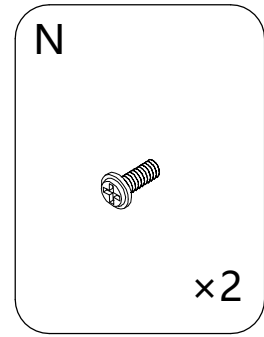
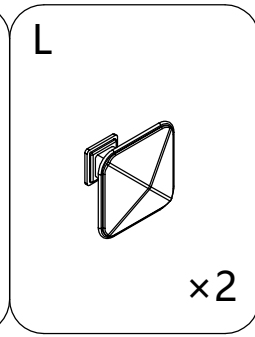
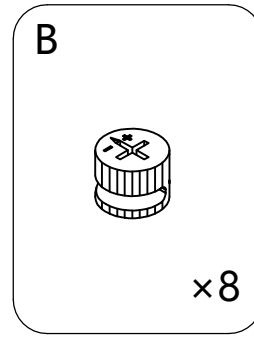
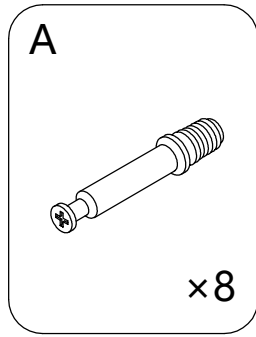


16.

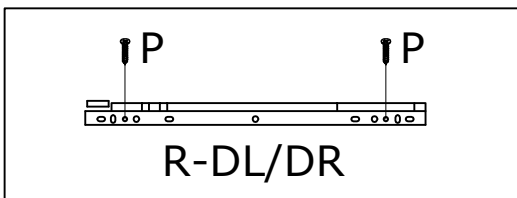
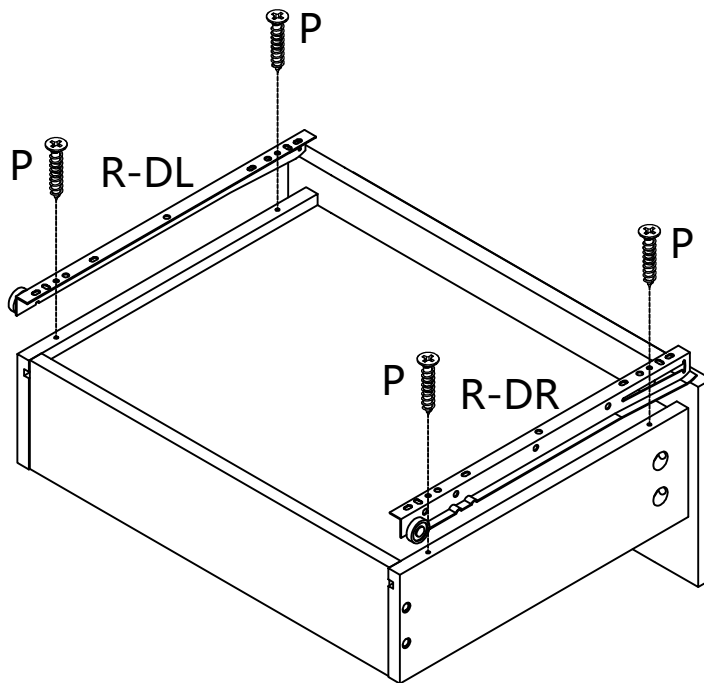
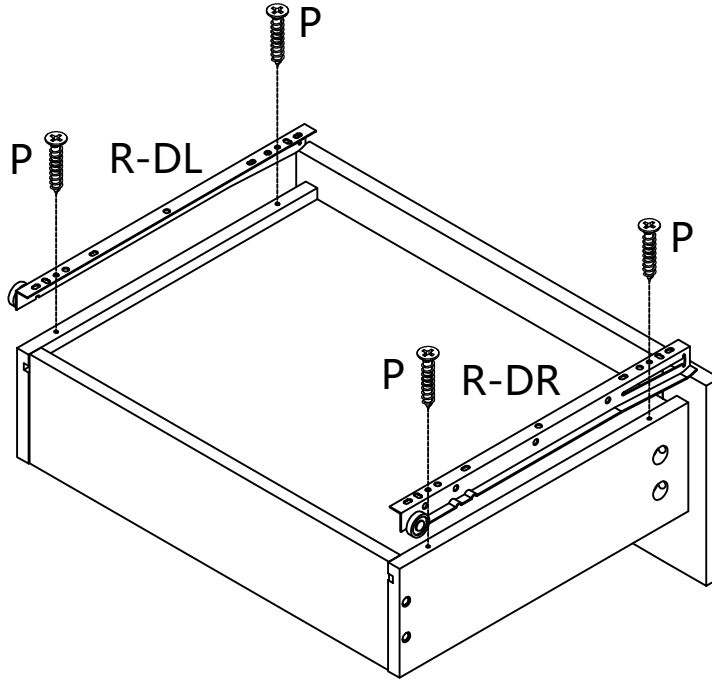
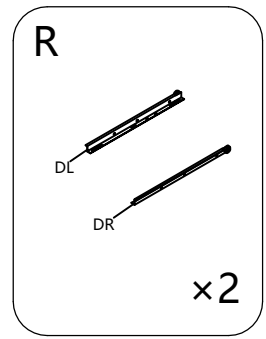
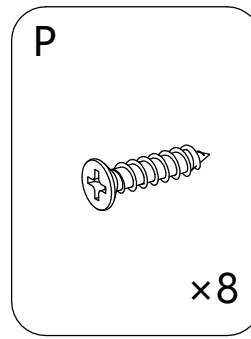


x2

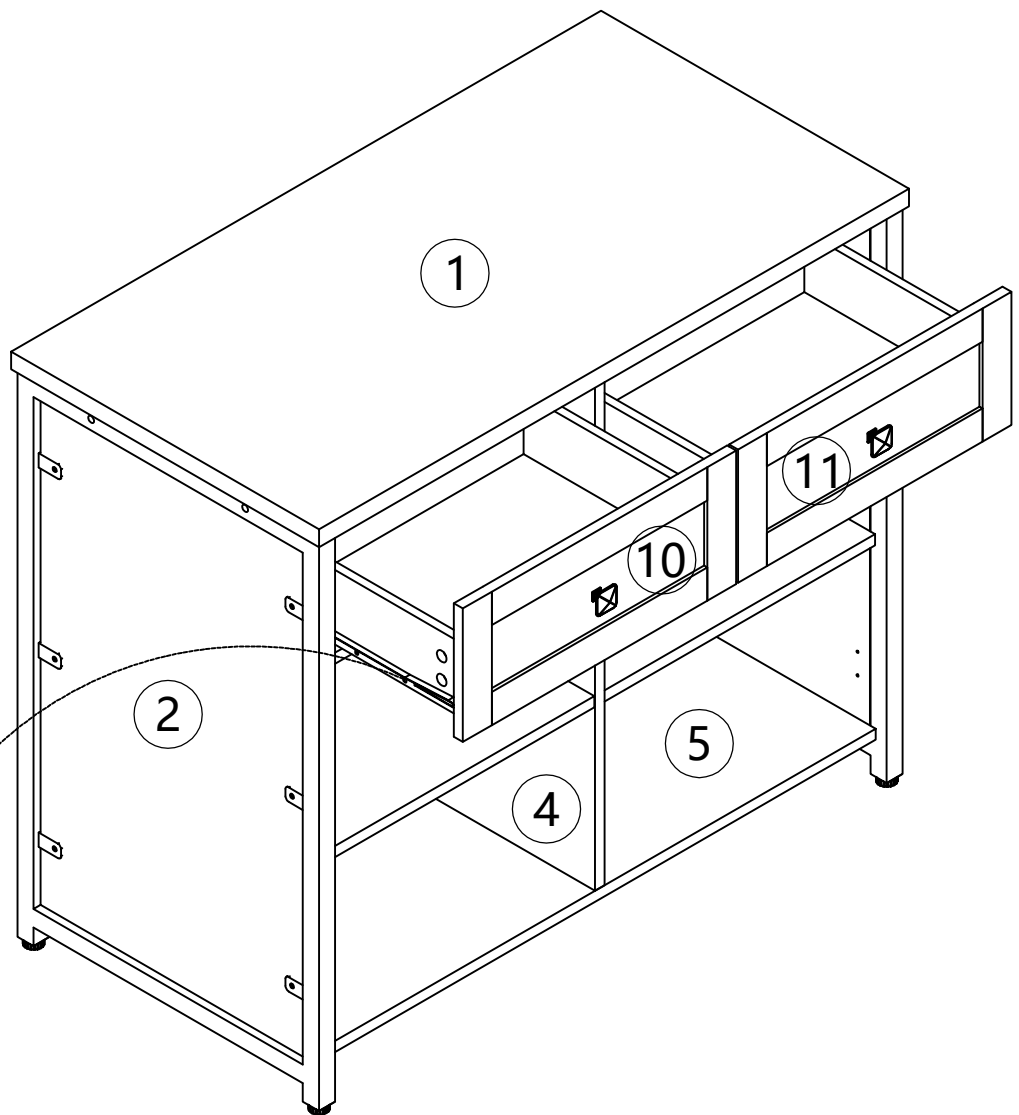
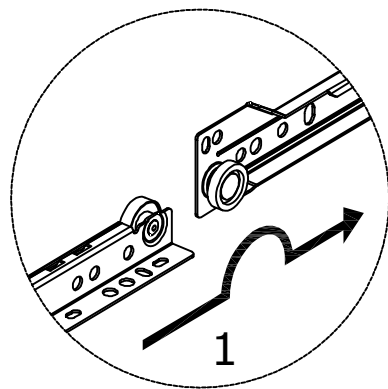
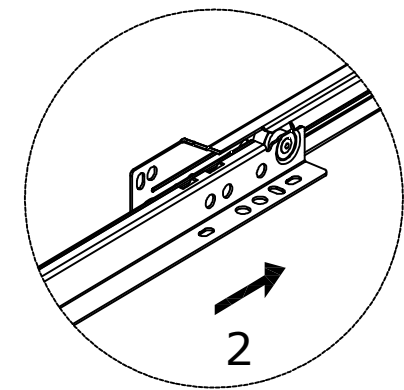
17.



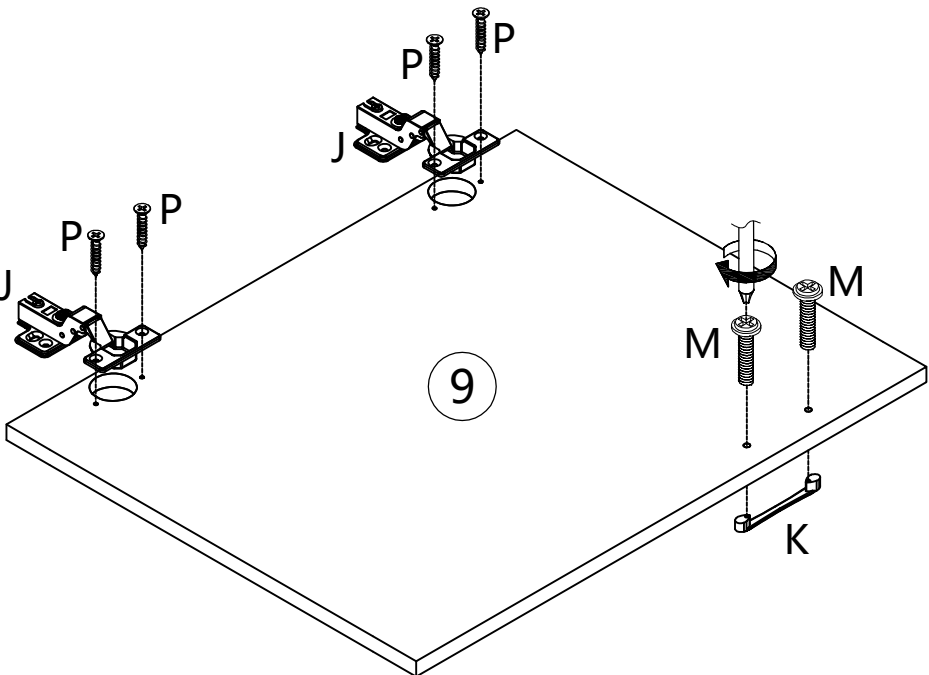
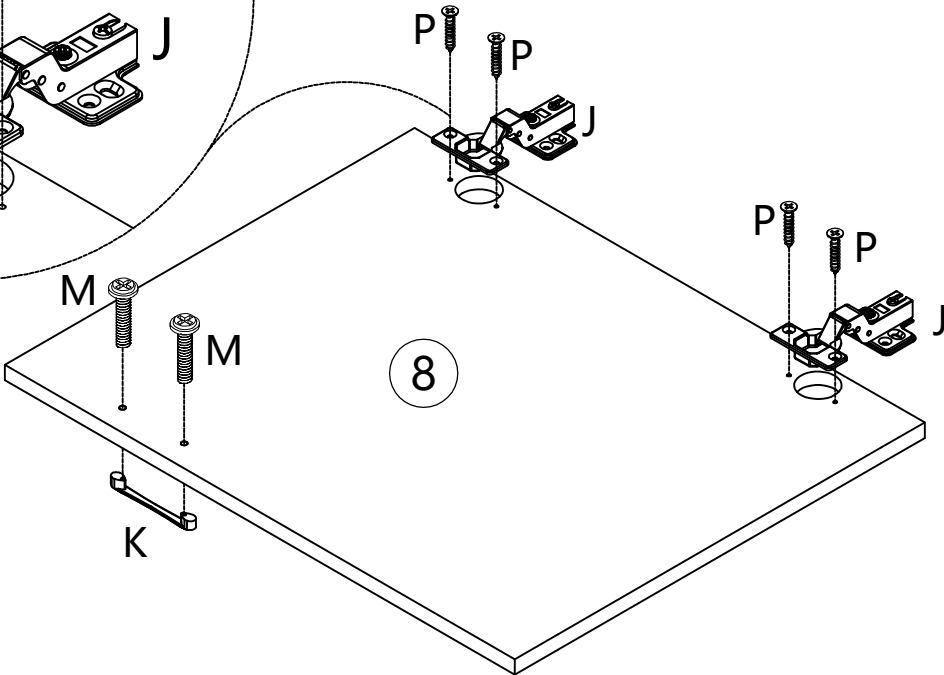
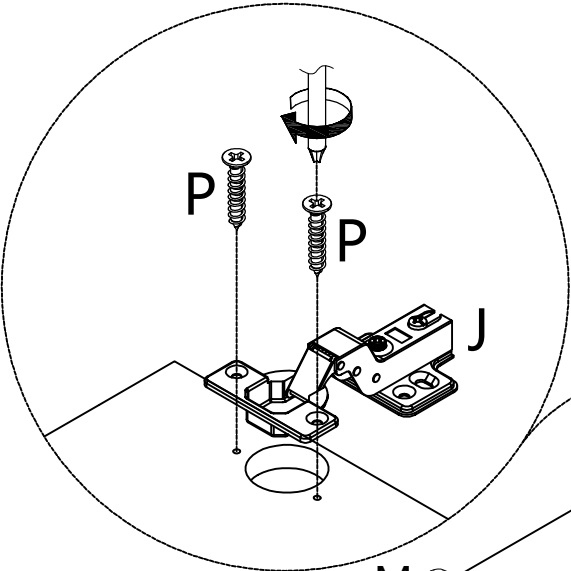
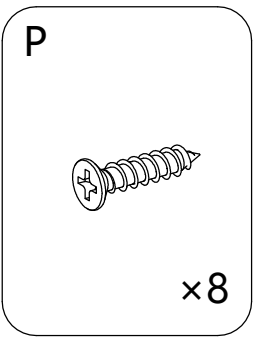
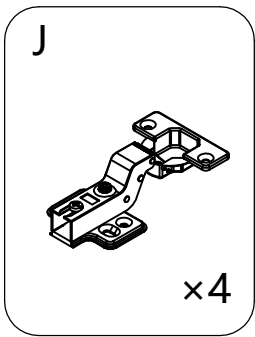
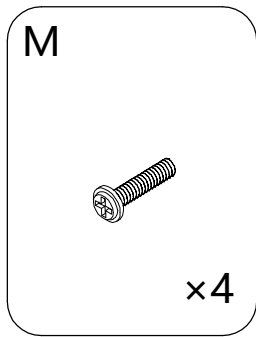
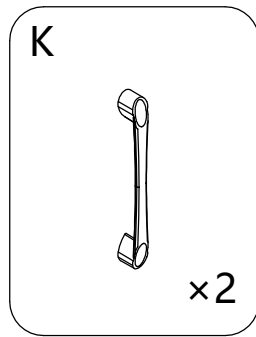
18.



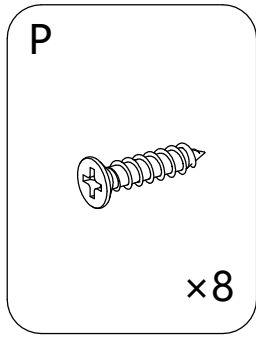
19.



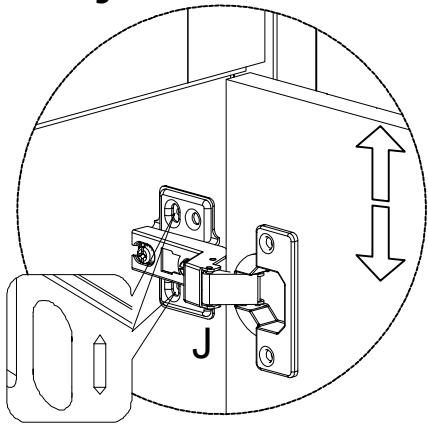
20.



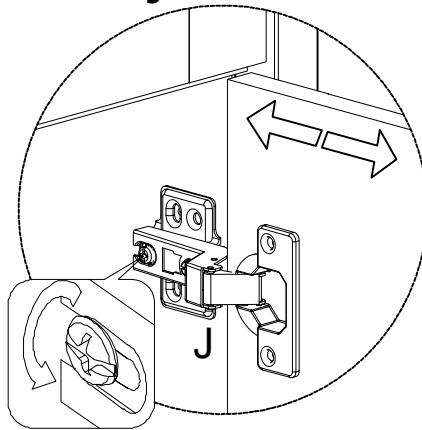
21.



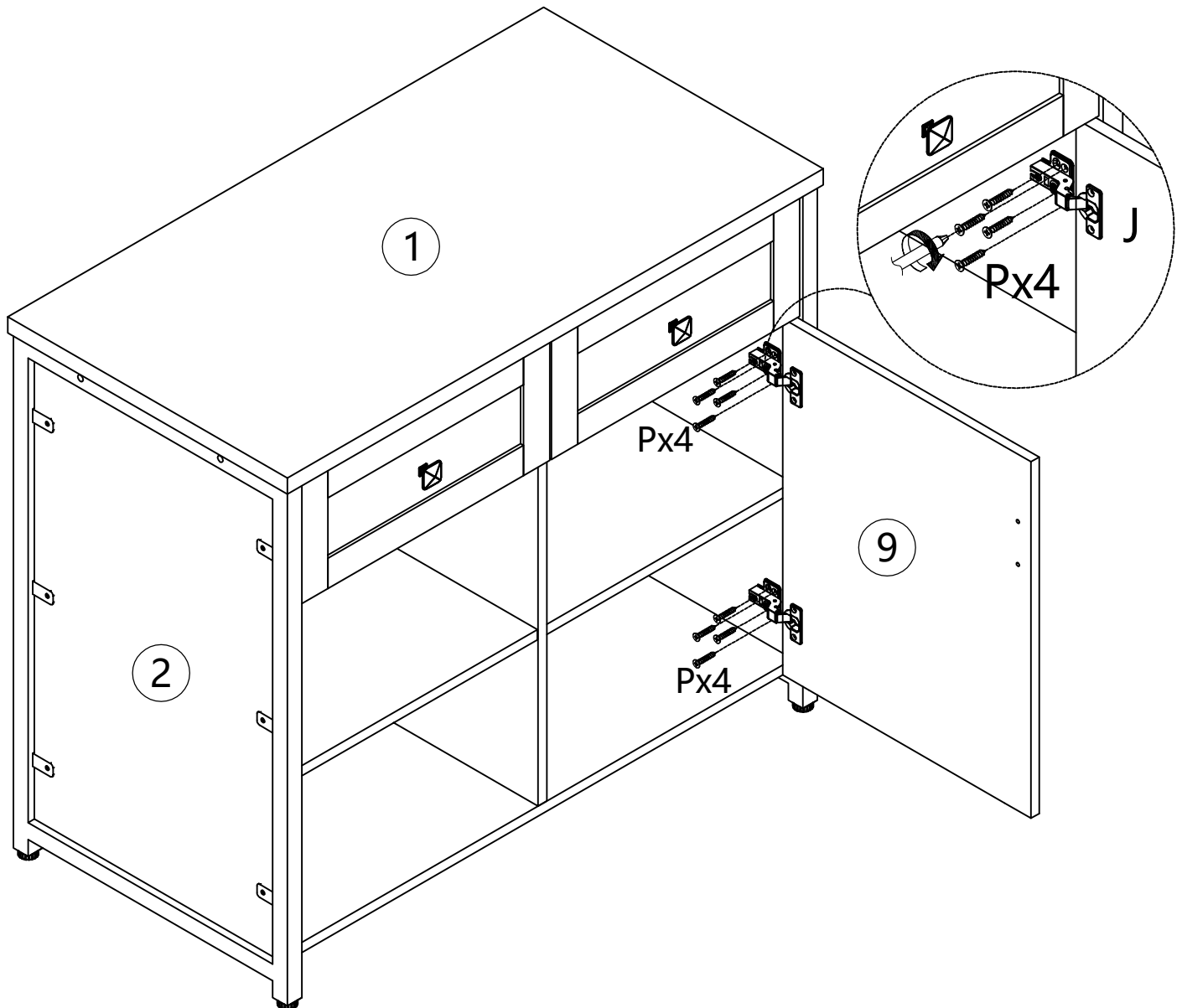
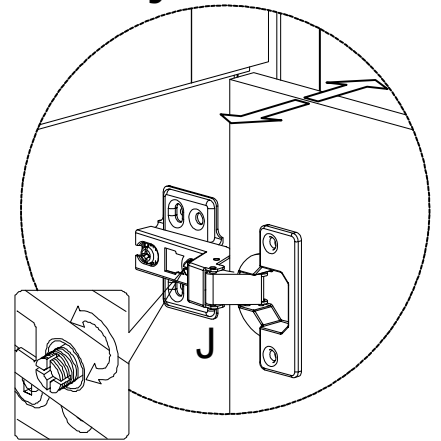
1.Up & Down Adjustment



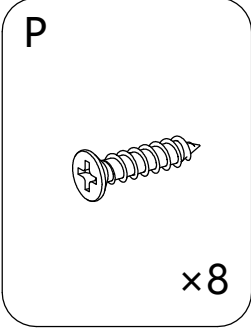
2.Forward & Back Adjustment



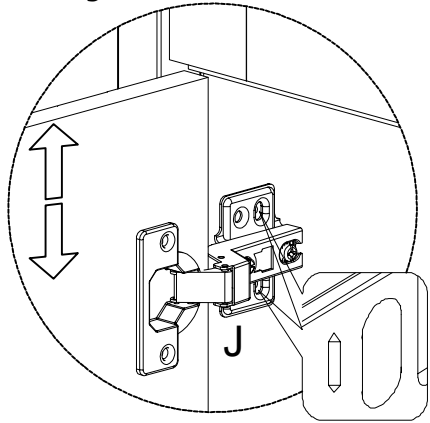
3.Left & Right Adjustment



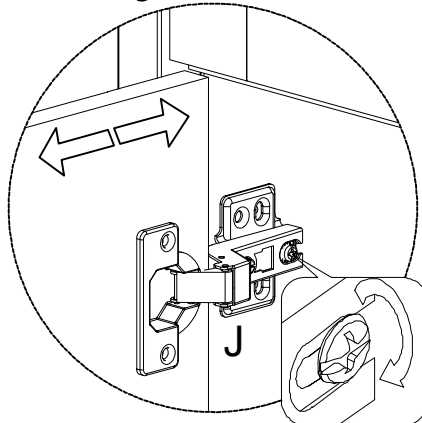
22.



1.Up & Down Adjustment



2.Forward & Back Adjustment



3.Left & Right Adjustment

