

ASSEMBLY INSTRUCTIONS

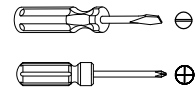
PANTRY CABINET

ASSEMBLY
REQUIREMENTS

2-Person
Assembly

2 Hours
Assembly Time
(Approximate)

Tools Required
(Not Provided)



Thank you for purchasing our product!

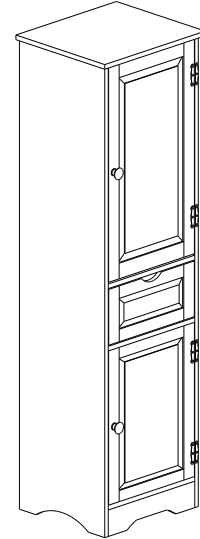
Please refer and use this assembly instruction to assemble the product. Contact our customer service department in case there are any missing or damage parts or hardware. Replacement parts are normally shipped within 2 or 3 days.

Within 30 days from delivery date

We appreciate your business!

PRODUCTS PURCHASED THROUGH OUR AUTHORIZED VENDORS ONLY ARE ELIGIBLE FOR REPLACEMENT PARTS.

THIS PRODUCT IS FOR INDOOR AND HOUSEHOLD USE ONLY - NOT FOR COMMERCIAL USE.



ASSEMBLY PREPARATION

1. Remove all packaging materials, staples and packing straps from the carton.
2. Refer to Parts List and Hardware List, and ensure parts and hardware are correct before assembly. Contact customer service for missing parts.
3. Place all wooden parts on a clean, flat and soft surface (e.g. carpet or rug) to prevent scratch and damage to parts.

SAFETY PRECAUTION

1. KEEP ALL HARDWARE PARTS OUT OF REACH OF CHILDREN.
2. DISPOSE PLASTIC PACKAGING MATERIAL IMMEDIATELY TO AVOID ANY RISK OF SUFFOCATION TO CHILDREN AND ANIMALS.

TIPS FOR ASSEMBLY

1. Allow ample room for assembly and assemble the product near where product will be placed.
2. Assemble the product on a surface that does not scratch or damage the exterior gloss and finish of the furniture.
3. Identify all of the parts, hardware and quantities required for each step.
4. During assembly, do not over-tighten any fittings as this may cause damage.
5. DO NOT USE POWER TOOLS TO ASSEMBLE THIS PRODUCT.
6. Always place the product on a flat, level surface.
7. Do not sit or stand on the partially assembled product; only use the product for which it is intended.






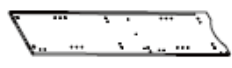
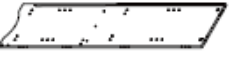


CARE AND MAINTENANCE





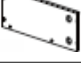
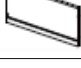
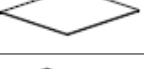
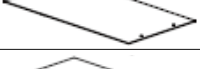

- Wipe clean with a soft, dry cloth; avoid the use of harsh chemicals or household cleaners as they may damage the exterior finish of the furniture.
- Hardware may loosen over time. Periodically, check that all connections are tight; re-tighten as necessary.
- Solid wood is impacted by heat and humidity fluctuations which may cause small joint separations or hairline cracks; place the furniture away from direct sunlight and air conditioning vents, heating vents or units to protect the furniture.

ASSEMBLY INSTRUCTIONS

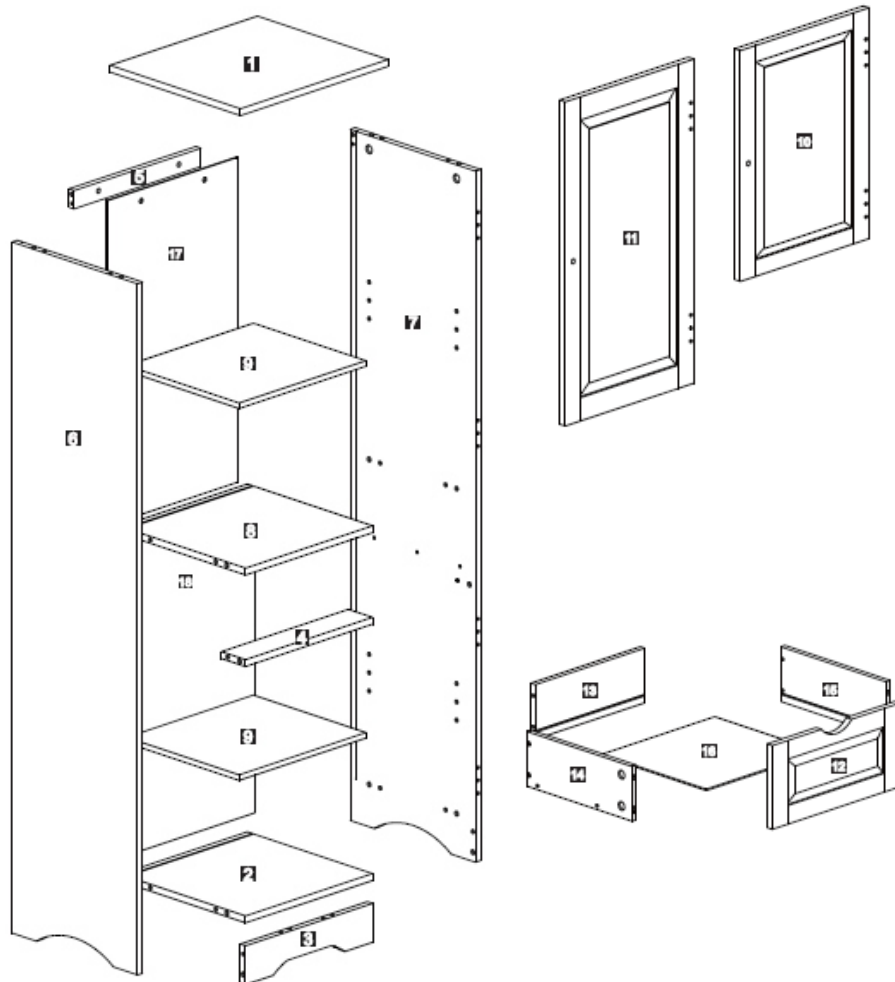
PANTRY CABINET

PARTS LIST

Item	Description	Part	Qty
1	Top Panel		1
2	Bottom Panel		1
3	Bottom Apron		1
4	Middle Bar		1
5	Top Bar		1
6	Left Panel		1
7	Right Panel		1
8	Fixed Shelf		1
9	Adjustable Shelf		2

Item	Description	Part	Qty
10	Upper Door		1
11	Lower Door		1
12	Drawer Front Panel		1
13	Drawer Back Panel		1
14	Drawer Left Panel		1
15	Drawer Right Panel		1
16	Drawer Bottom Panel		1
17	Upper Back Panel		1
18	Lower Back Panel		1

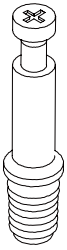
ASSEMBLY OVERVIEW



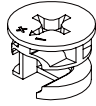
ASSEMBLY INSTRUCTIONS

PANTRY CABINET

HARDWARE LIST



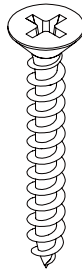
22X
6X35mm
A
Cam-bolt



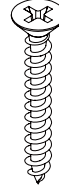
22X
15X10mm
B
Cam-lock



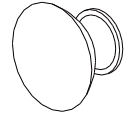
20X
6X30mm
C
Wooden Dowel



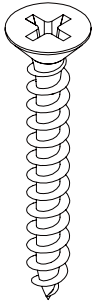
4X
4X30mm
D
Screw



2X
4X25mm
E
Screw



2X
F
Door Knob



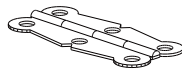
2X
4X45mm
G
Screw



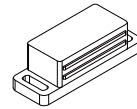
12X
3X12mm
H
Screw



24X
3X12mm
I
Black Screw



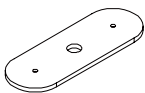
4X
J
Door Hinge



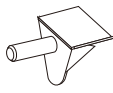
2X
K
Magnetic Catch



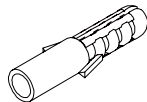
4X
2.5X14mm
L
Screw



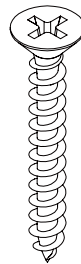
2X
M
Metal Bar



8X
N
Shelf Pin



2X
O
Wall Anchor



2X
4X35mm
P
Screw



Drawer Track

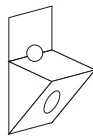


Drawer Runner

1X
Q
Drawer Slide



8X
3x16mm
R
Screw

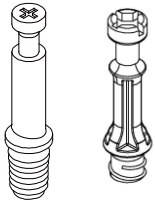


8X
S
Backply Stopper



4X
T
EVA Strip

INSTRUCTIONS FOR CAM-BOLT & CAM-LOCK

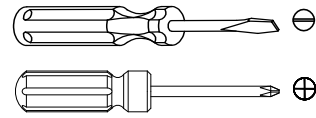


CAM-BOLT



CAM-LOCK

Tools Required



INSERTING AND TIGHTENING CAM-BOLT

Place Cam-bolt on pre-drilled hole and screw in vertically

SHOULDER

PANEL

Shoulder is flushed (on the same level) with the panel.

PANEL

Shoulder is above the panel.

PANEL

Place Cam-bolt on the designated pre-drilled hole on the panel. Use a Phillips Screwdriver to screw-in Cam-bolt vertically until shoulder is flushed (on the same level) with panel.

INSERTING CAM-LOCK

Insert Cam-lock with arrow align to Cam-bolt head

CORRECT

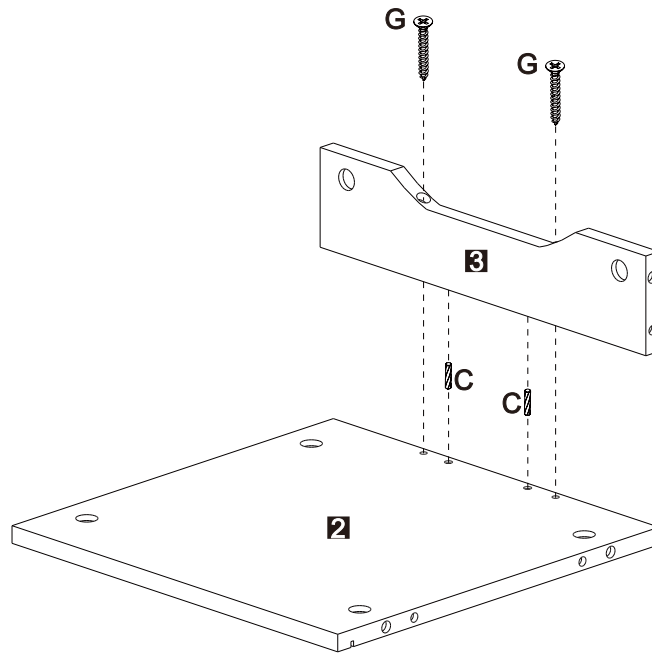
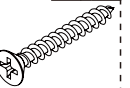
WRONG

Align the arrow on the Cam-lock to the Cam-bolt head and insert the Cam-lock. Ensure Cam-lock is fully inserted.

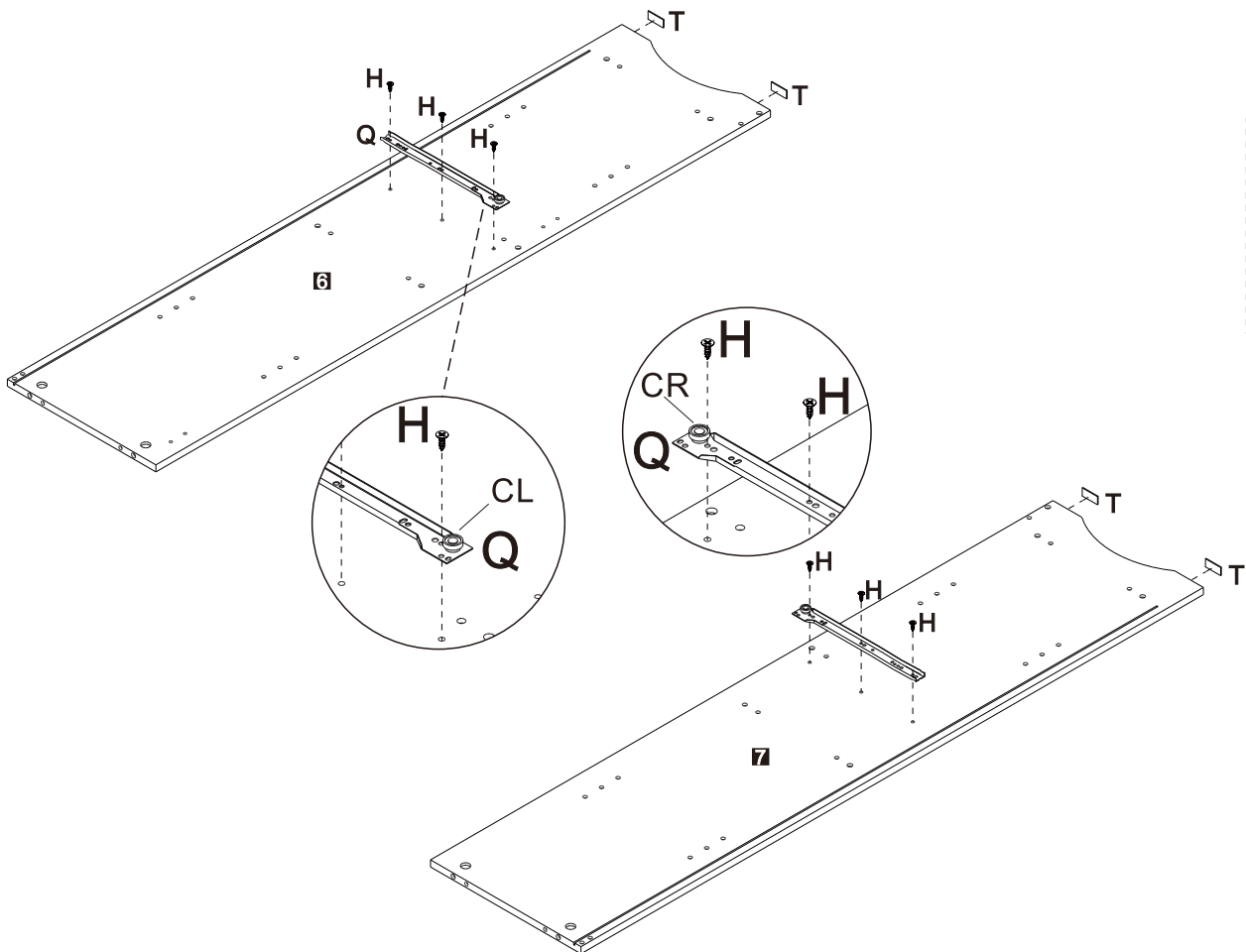
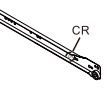
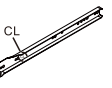
TIGHTENING CAM-LOCK



Use a Flat-head Screwdriver to turn Cam-lock clockwise so it locks onto the head of the Cam-bolt. Turn until it is snug (about 3/4ths of a turn) -- over-tightening could damage Cam-lock or/and Cam-bolt.

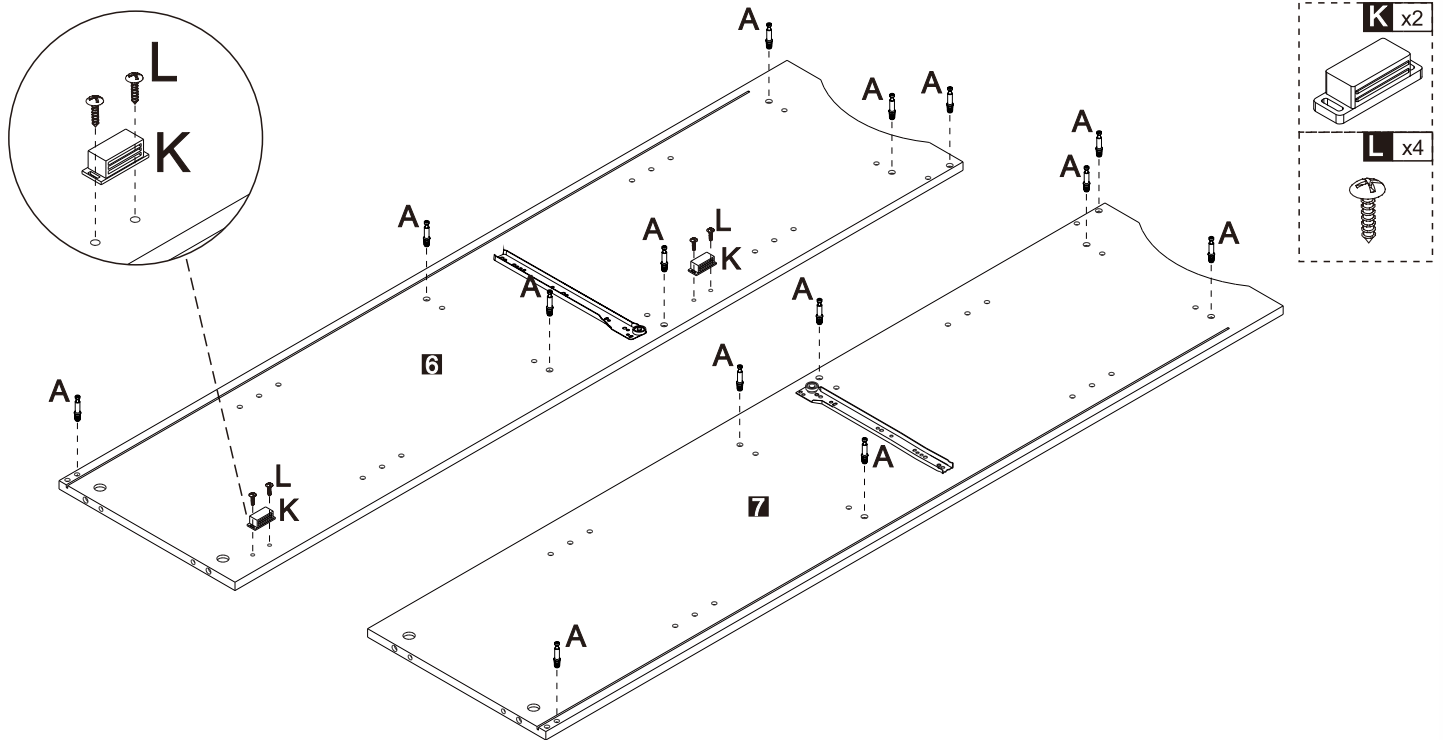
1**C** x2**G** x2

- a) Lay Bottom Panel (2) on a material that does not scratch or damage the part and insert Wood Dowel (C) into the designated inner two holes as shown.
- b) Attached Bottom Apron (3) to (2) via wood dowels and fasten with Screw (G).

2**H** x6**Q** x1**T** x4

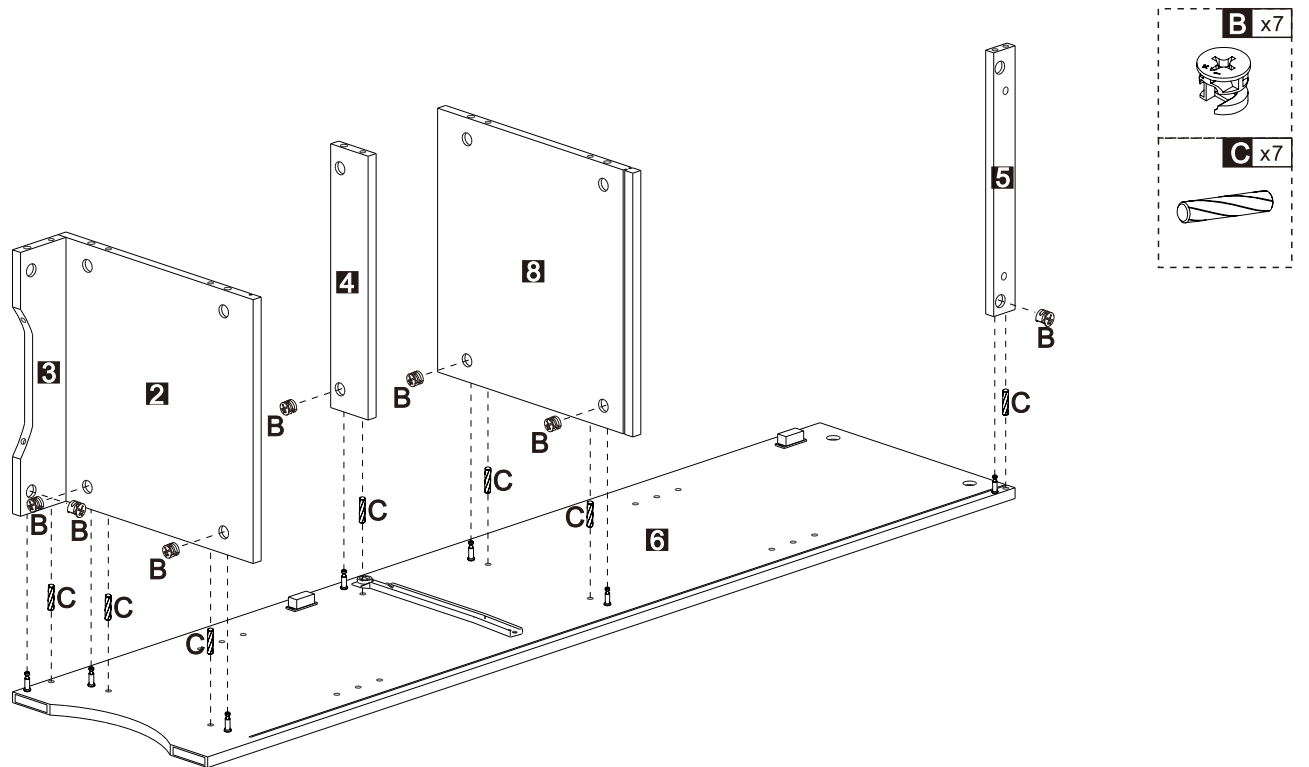
- a) Apply EVA Strip (T) to the bottom edge of Left & Right Side Panel (6) & (7)..
- b) Align screw holes on Drawer Track (CL & CR) to the screw holes on (6) and (7), respectively as shown.
- c) Use Screw (H) to fasten Drawer Track (CL & CR). Do not tighten (H) completely until all three screws are in place on each drawer track.

3

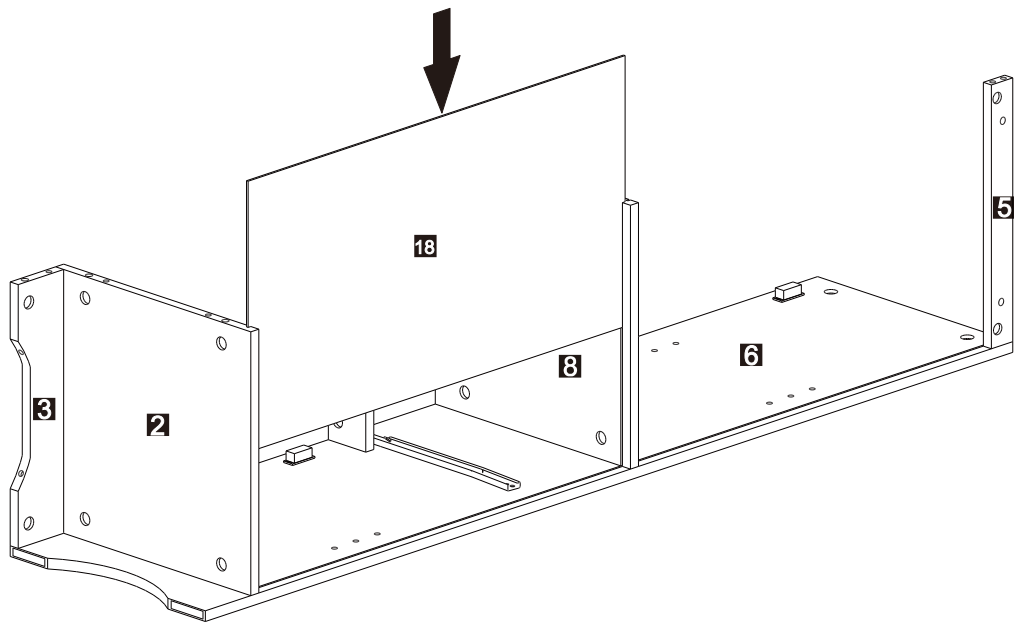


- a) Screw in Cam-bolt (A) into the designated holes of the Left & Right Side Panel (6) &(7) as shown. Refer to Page 4 for instructions to insert and tighten Cam-bolt.
- b) Affix Magnetic Catch (K) to the Left Panel (6) with Screw (L).

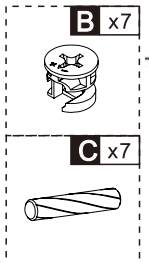
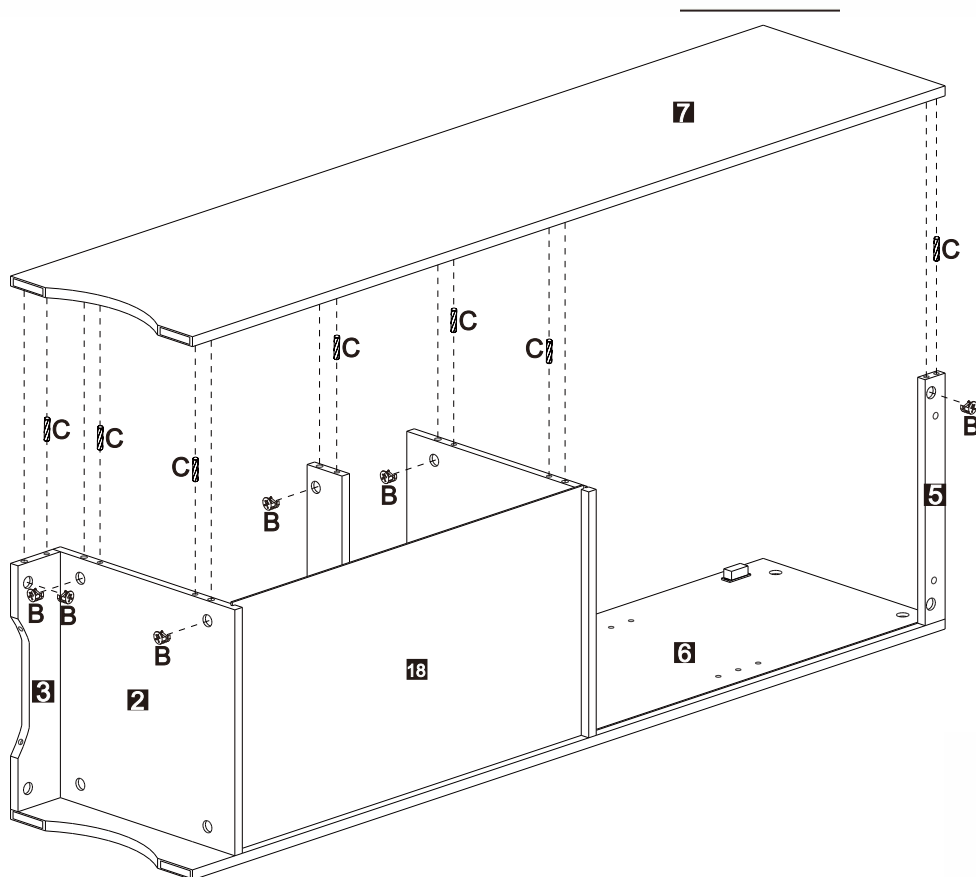
4



- a) Insert Wooden Dowel (C) to the designated holes as shown on Left Panel (6).
- b) Attach Bottom Panel/Apron (2/3) assembly from Step 1, Middle Bar (4), Fixed Shelf (8) and Top Bar (5) to (6) via inserted wood dowels and cam-bolts. Check: the groove on (2 & 8) are facing each other and also aligned to the groove on (6).
- c) Insert Cam-lock (B) into the designated holes on (2, 3, 4, 5 & 8) and turn clockwise to lock onto Cam-bolt. Refer to Page (4) for instructions to insert and tighten Cam-lock.

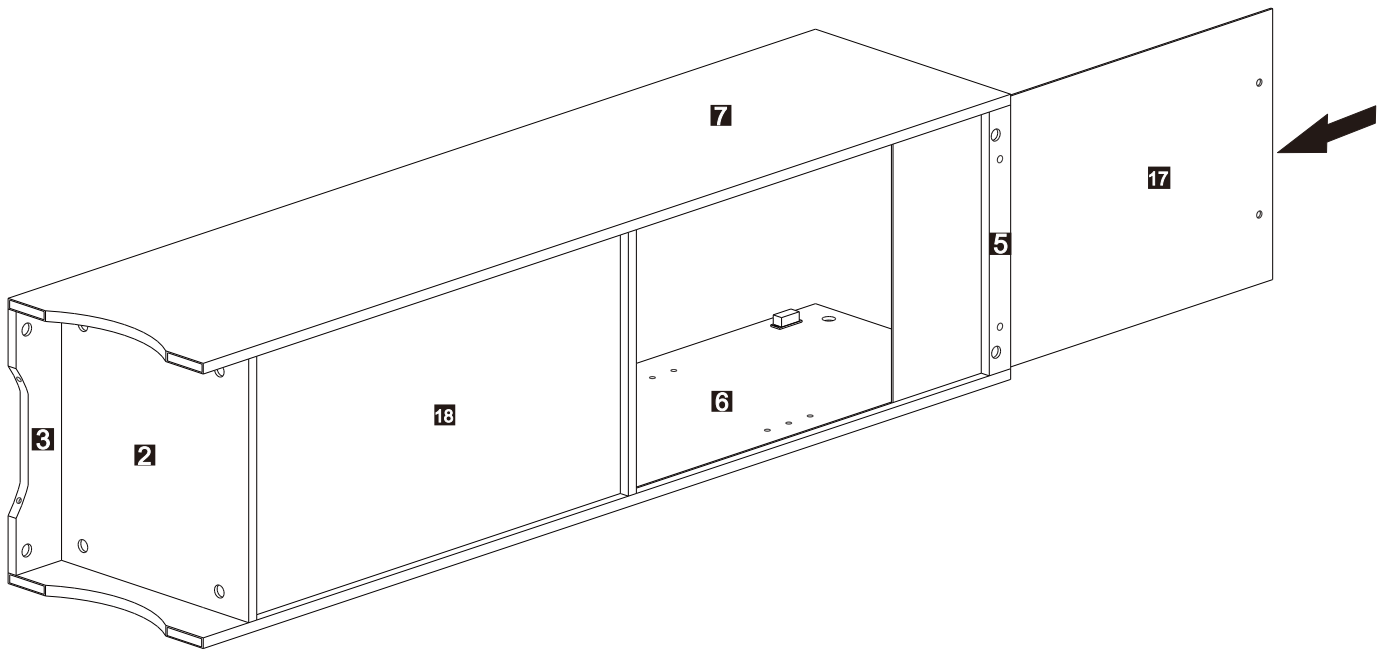
5

Fit the Lower Back Panel (18) via groove on Bottom Panel (2), Fixed Shelf (8) and Left Panel (6).

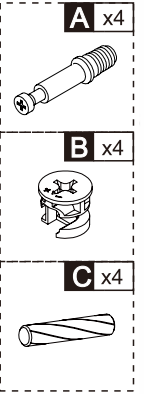
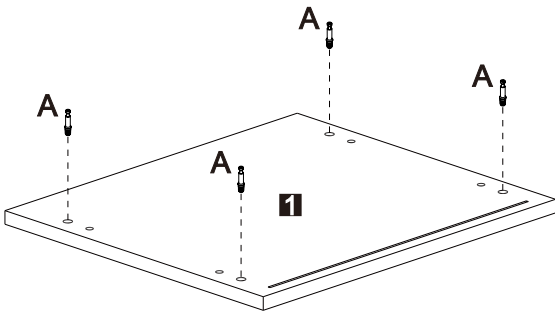
6

- a) Insert Wooden Dowel (C) to designated holes as shown on Bottom Panel/Apron (2/3) assembly Middle Bar (4), Fixed Shelf (8) and Top Bar (5) and attach Right Panel (7). Check that Back Panel (18) fits into the groove on (7).
- b) Insert Cam-lock (B) to the designated holes on (2, 3, 4, 5 & 8) as shown and turn clockwise to lock onto cam-bolt.

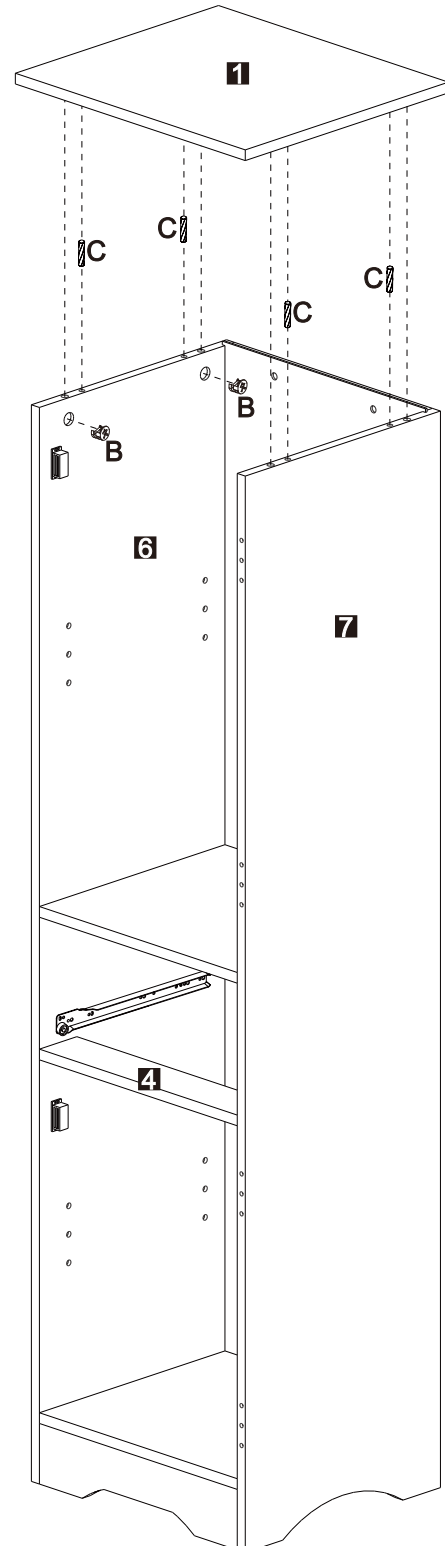
7



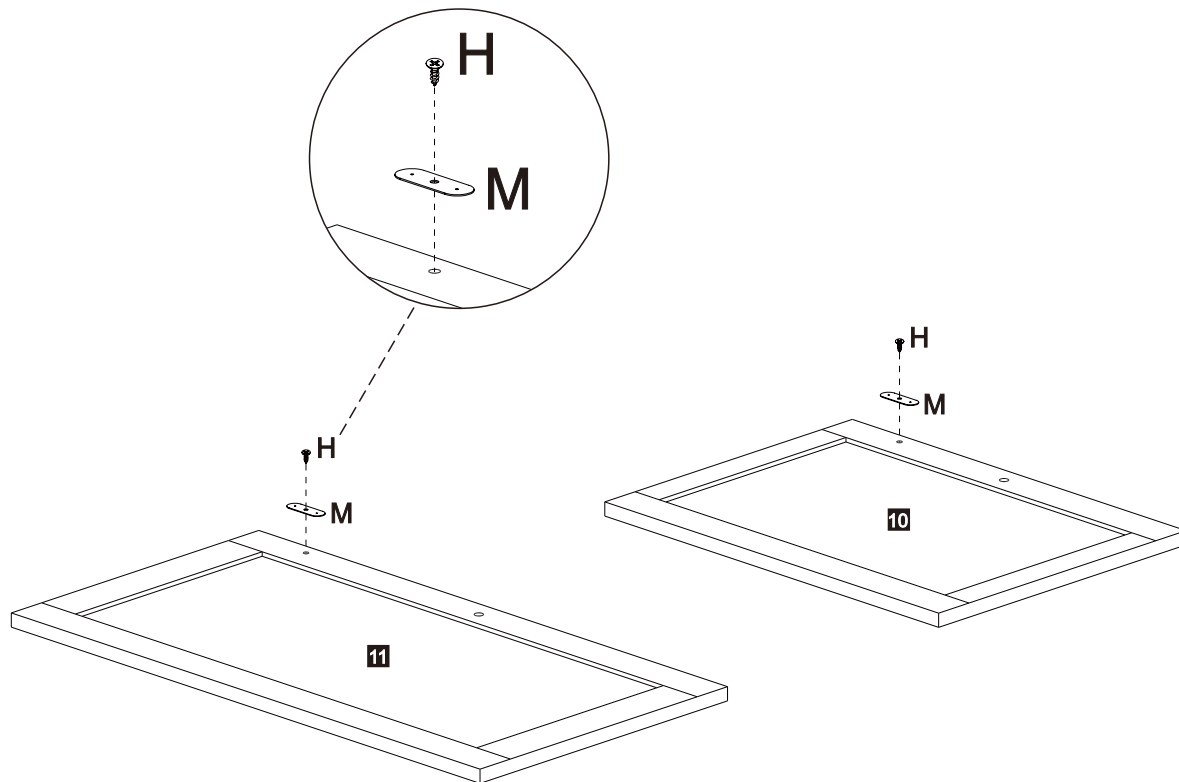
Fit Upper Back Panel (17) via groove on Left and Right Panel (6 & 7) and Fixed Shelf (8).

8

- a) Screw in Cam-bolt (A) into the outer holes on Top Panel (1).
- b) Set the assembly from STEP 7 right-side up.
- c) Insert Wooden Dowel (C) to the inner two holes at the top edge of Left and Right Panel (6 & 7).
- d) Attach (1) to (6 & 7) via cam-bolts and wood dowels. Check that the top edge of Upper Back Panel fits into the groove at the back edge of (1).
- e) Insert Cam-lock (B) into the designated holes on (6 & 7) and turn clockwise to lock onto Cam-bolt.



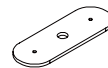
9



H x2

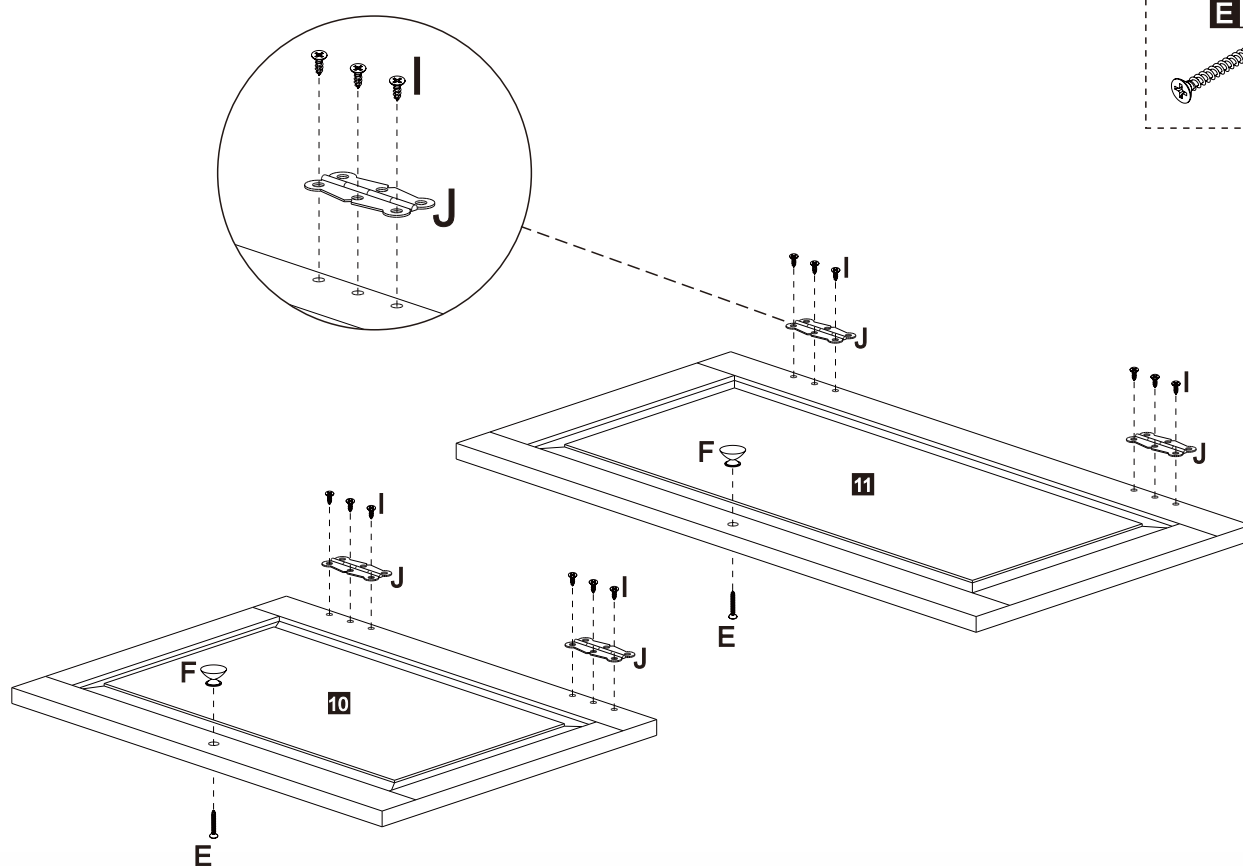


M x2



Lay Upper Door (11) and Lower Door (10) on a material that does not scratch or damage the part and use Screw (H) to affix Metal Bar (M) at the designated pilot hole as shown on each door.

10



E x2



F x2



I x12

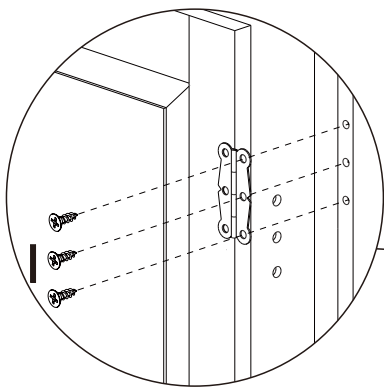


J x4

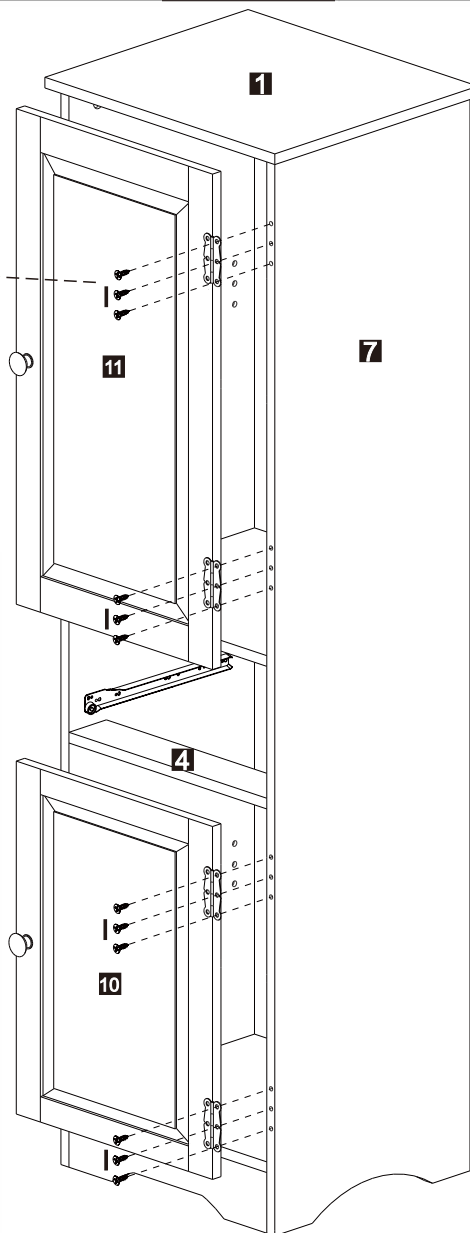


- Turnover the Upper Door (11) & Lower Door (10) from STEP 9.
- Set each Door Hinge (J) to align the screw holes on (J) exactly to the pilot holes on each door and fasten with Black Screw (I). Do not tighten (I) completely until the three screws are in place on each hinge.
- Affix Door Handle (F) to (11) and (10) with Screw (E).

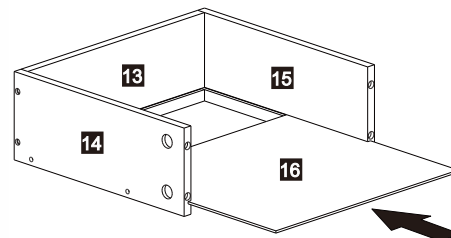
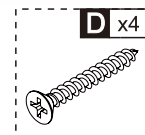
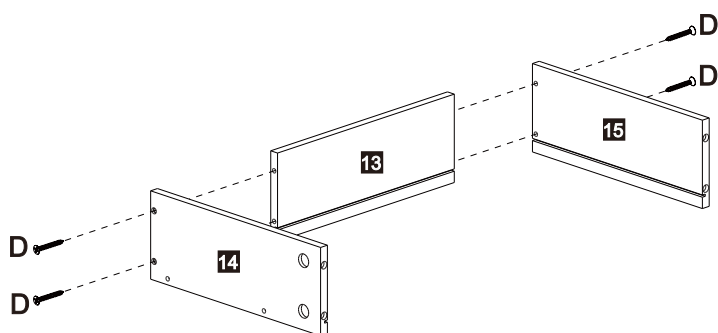
11



With assistance holding each door, align the screw holes on Hinge (J) exactly to the pilot holes on Right Panel (7) and fasten with Black Screw (I). Do not tighten (I) completely until the screws are in place on both hinges.



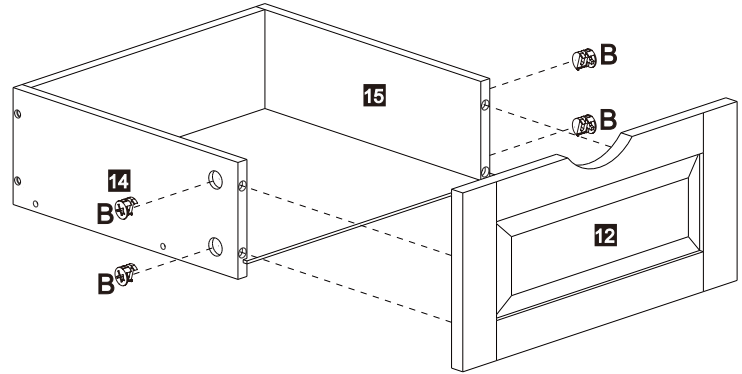
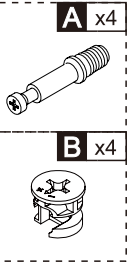
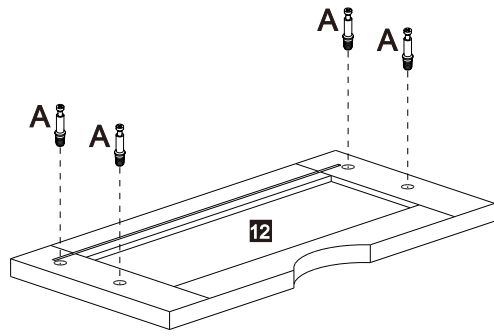
12



a) Attach Drawer Left & Right Panel (14 & 15) to Drawer Back Panel (13) as shown - note the groove on each panel is at the bottom. Use Phillips Screwdriver to drive Screw (D) to fasten side panels to back panel. Do not tighten screws completely until both screws are in place in each panel.

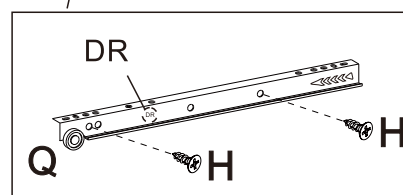
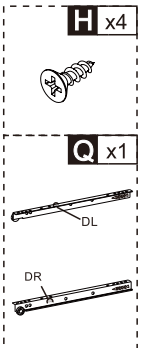
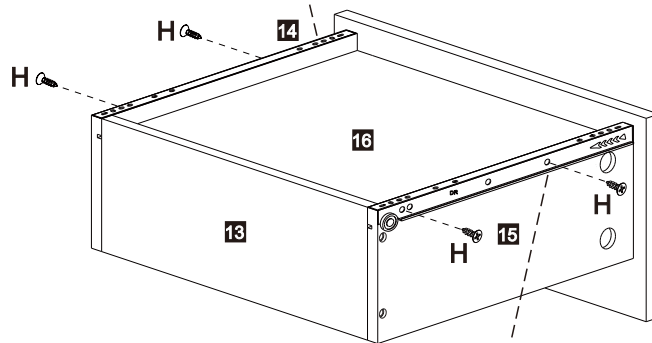
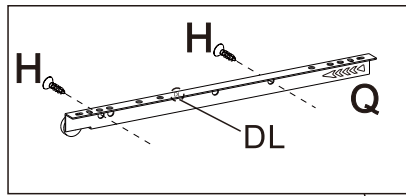
b) Fit Drawer Bottom Panel (16) via groove on (14 & 15). Check that the back edge of (16) fits into the groove on (13).

13

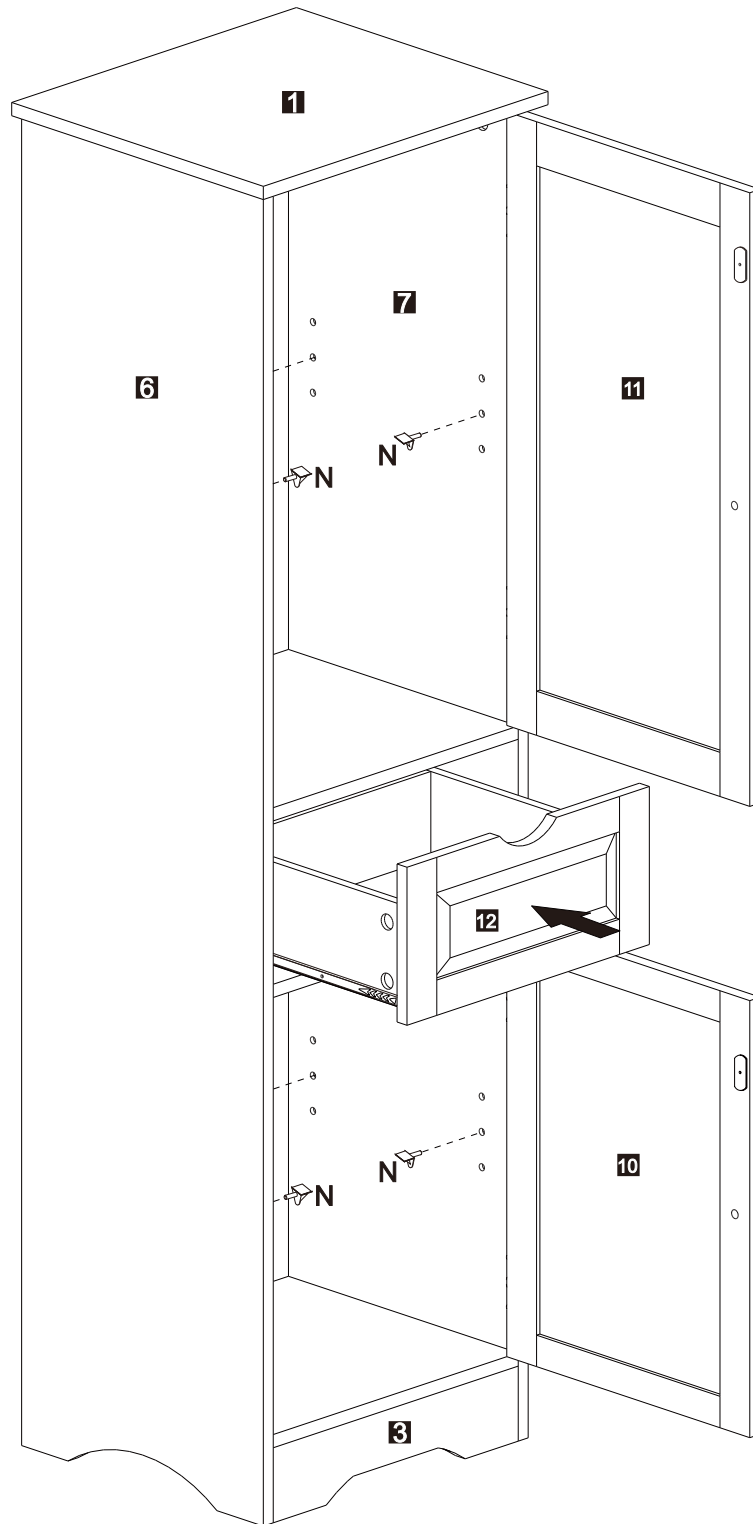


- a) Lay Drawer Front (12) on a material that does not scratch or damage the part then screw in Cam-bolt (A) into the designated holes.
- b) Attach (12) to Drawer Left and Right Panel (14 & 15). Check that the front edge of drawer bottom panel fits into the groove on (12) then insert Cam-lock (B) into designated holes on (14 & 15) and turn clockwise to lock onto cam-bolt.

14



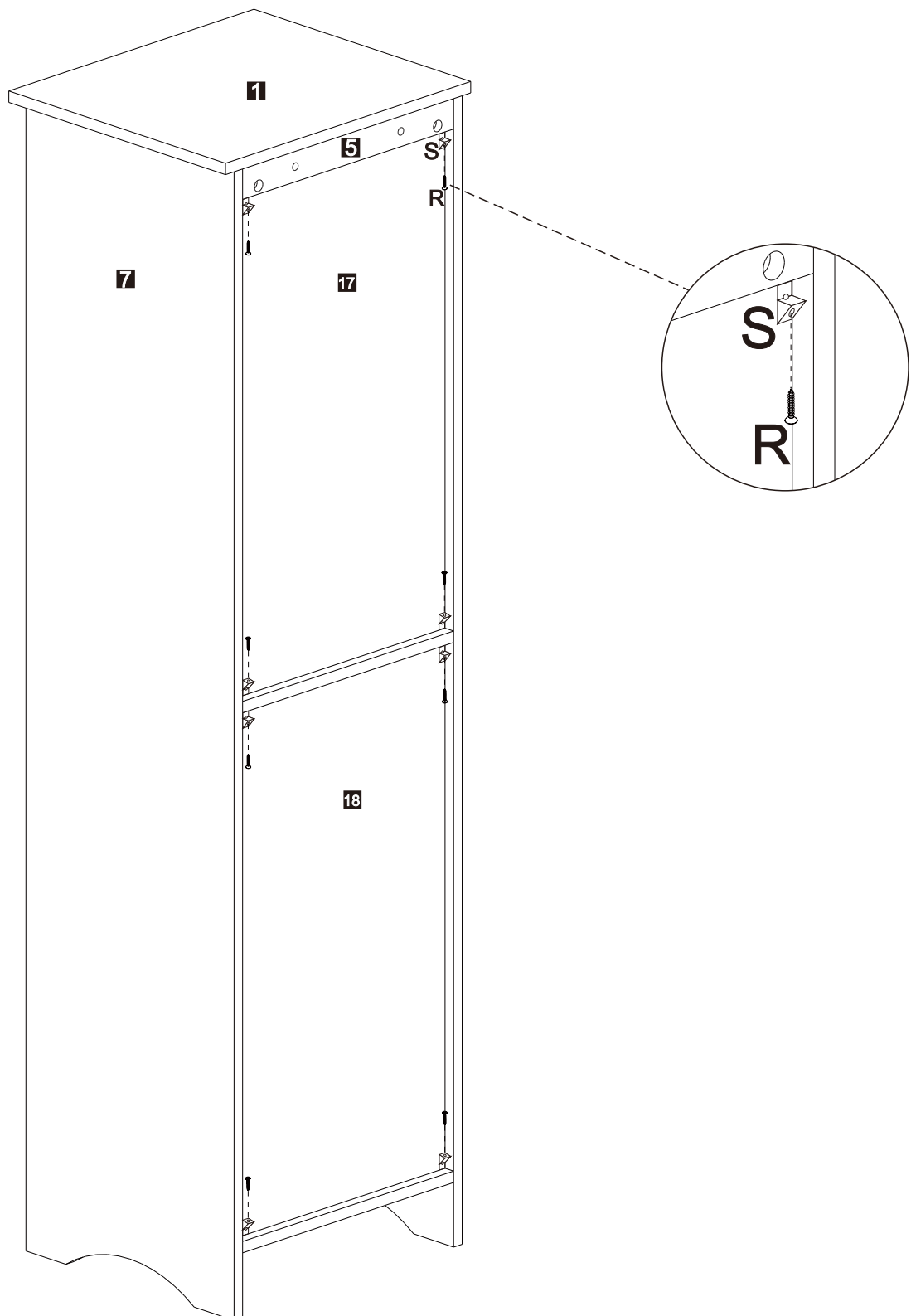
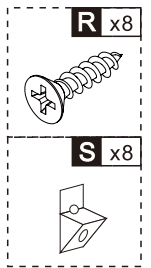
- a) Lay the Drawer from STEP 13 with the bottom panel facing up and position Drawer Runner (DL & DR) as shown and identify the specific screw hole on DL and DR for Screw (H).
- b) Do not tighten (H) completely until the two screws are in place on each drawer runner.



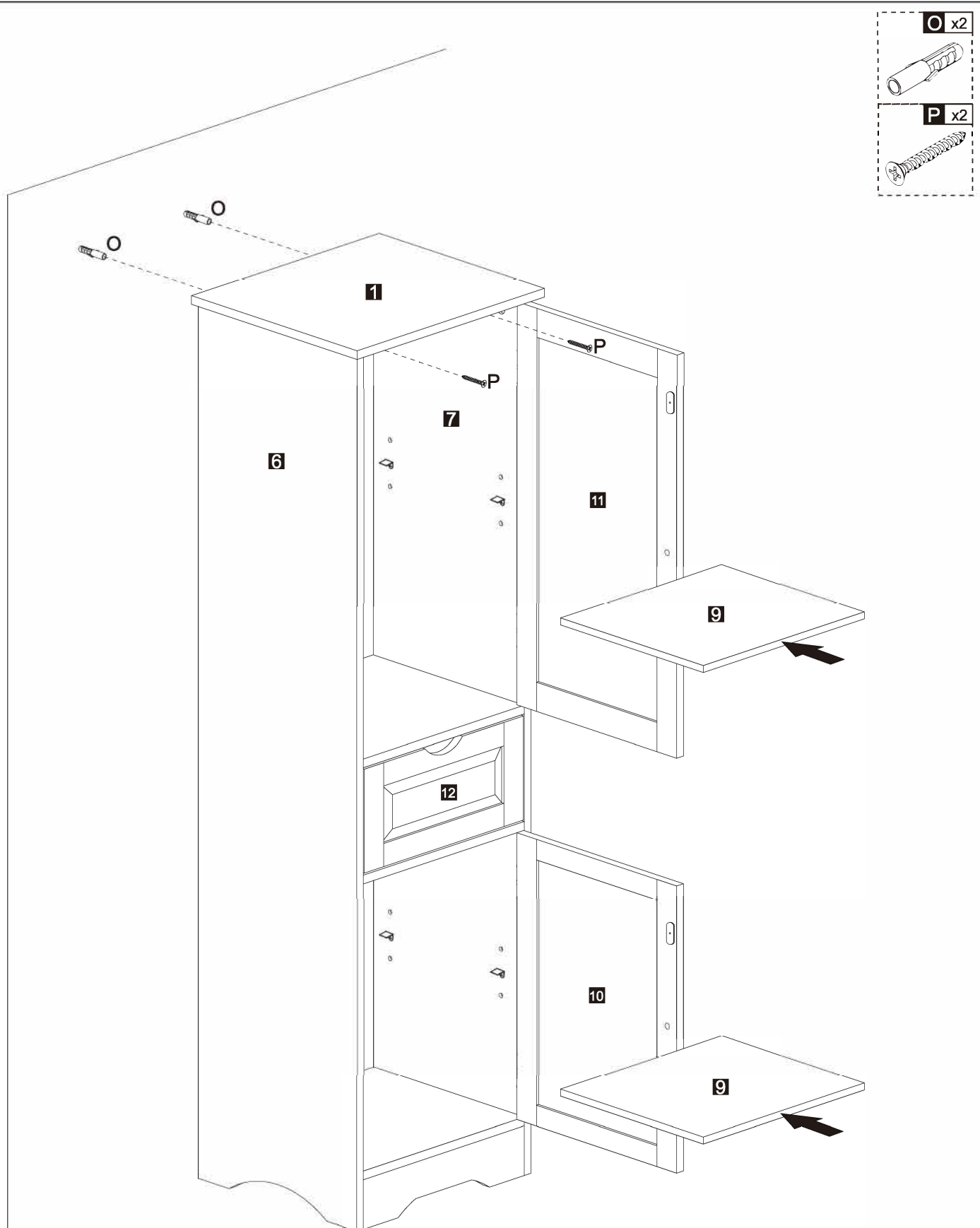
a) Insert the Drawers:

Position roller on Drawer Runner on drawer to be above the roller on Drawer Track on each Side Panel, and slide roller on Drawer Runner into the track rail on Drawer Track. Next, push drawer squarely and gently to allow Drawer Runner to slide into Drawer Track.

b) Insert Shelf Pin (N) into the designated holes on the same level at the desired height on Side Panel (6) and (7).



Wedge Back Stopper (S) at each corner to fit into the groove and against Back Panel (17 & 18) and fasten (S) with Screw (R).



- Select the location to place the cabinet.
- Mark the 2 spots on the wall for Plastic Anchor (O). The spots has to be the same height and same distance apart as the screw hole for Screw (P) on the Top Bar.
- Drill the 2 holes in the dry wall per the length and diameter of (O).
- Press (O) into each of the hole. Ensure that the (O) fits securely in the wall.
- Drive Screw (P) through the Top Bar into the screw hole on (O) to secure the Cabinet to the wall.
- Place Adjustable Shelf (9) by tilting it to fit between side panels and then level it to sit on shelf pins.

The assembly of the Pantry Cabinet is complete.