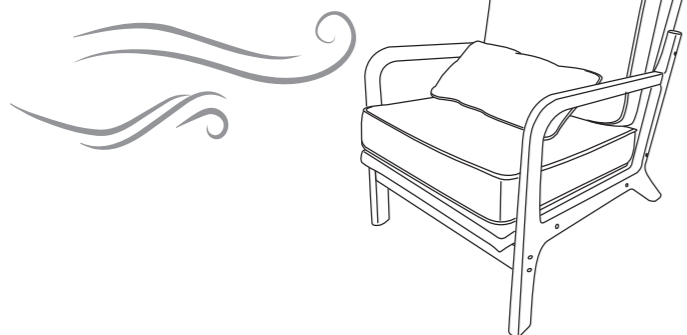
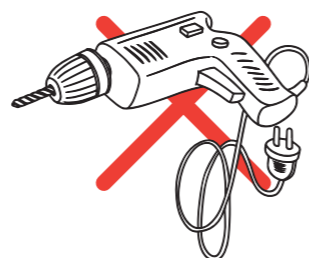
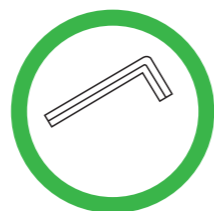


To deodorize the chair, leave it in a shaded and well-ventilated outdoor area for 1-2 days.



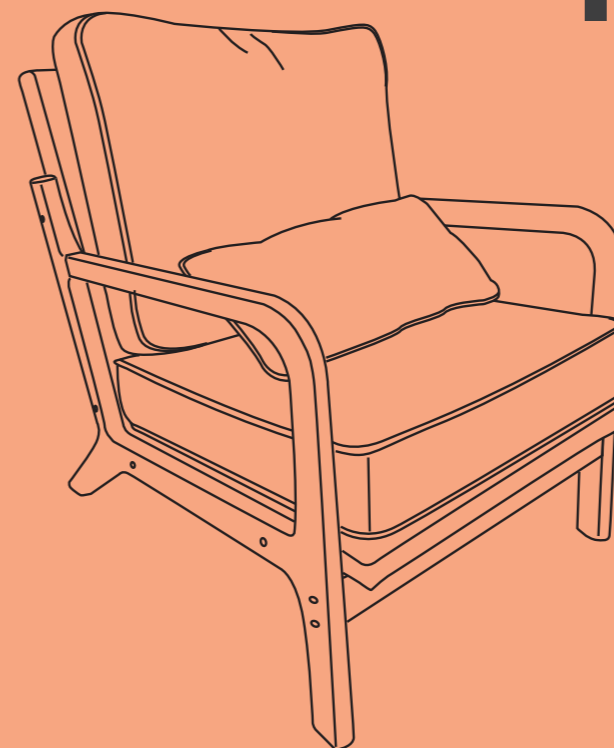
For long-term use, periodically retighten all bolts with the provided Allen Key. Do not use an electric screwdriver, as it may damage the chair. Always tighten the bolts manually.



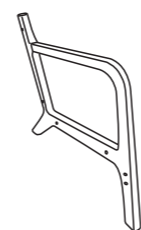
Safety Information



INSTRUCTION MANUAL



Parts List



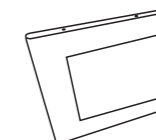
(A)*1



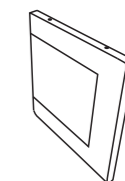
(B)*1



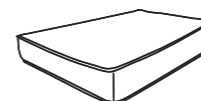
(C)*1



(D)*1



(E)*1



(F)*1



(G)*1



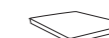
(H)*1



(1)*12
M8*60mm



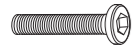
(2)*1
M6



(3)*4
2*5*0.2cm

Assembly Instruction

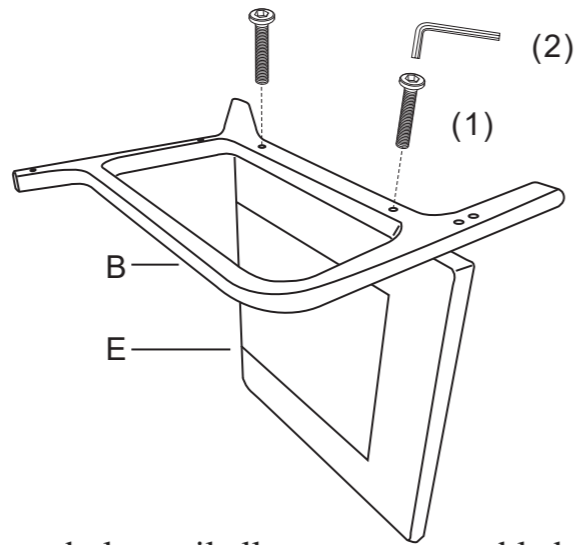
Step 1



(1)*2



(2)*1



NOTE: Do not fully tighten bolts until all parts are assembled.

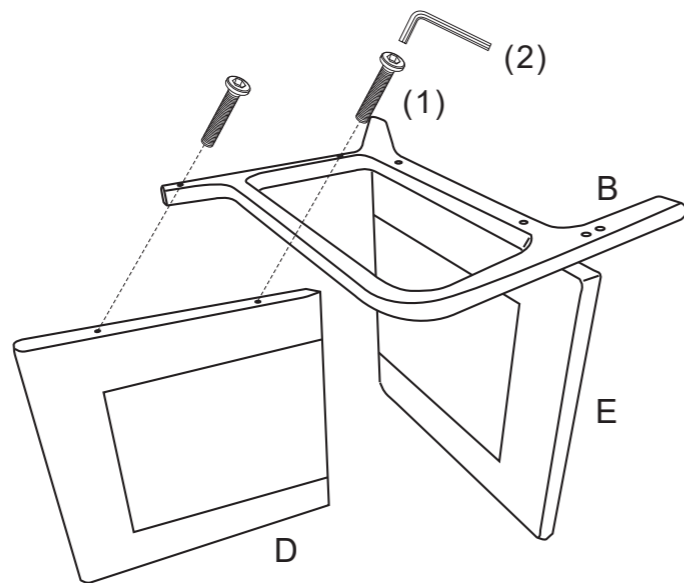
Step 2



(1)*2



(2)*1



NOTE: Do not fully tighten bolts until all parts are assembled

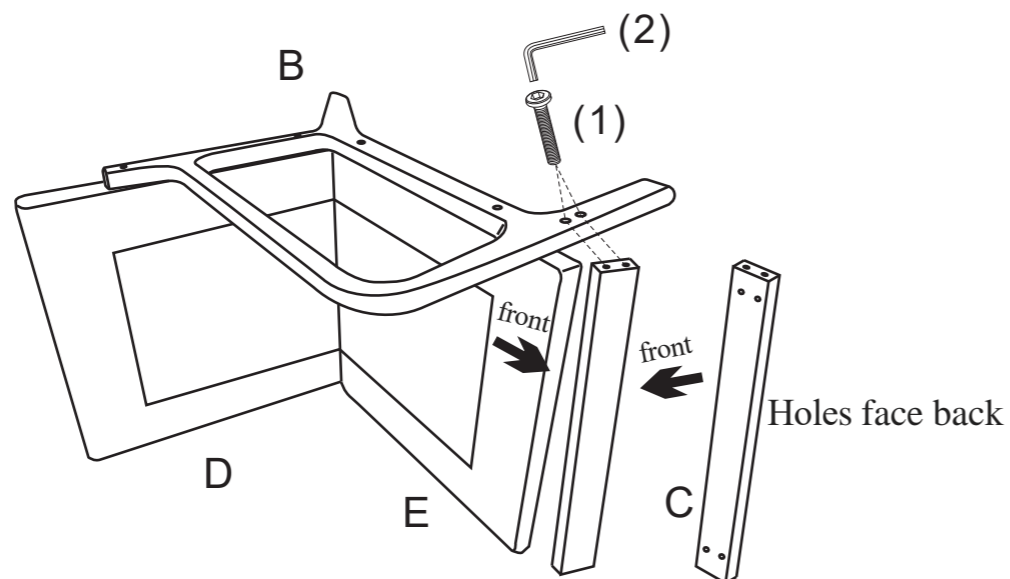
Step 3



(1)*2



(2)*1



NOTE: Do not fully tighten bolts until all parts are assembled.

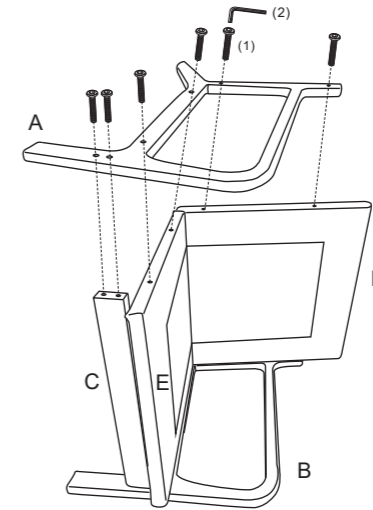
Step 4



(1)*6



(2)*1

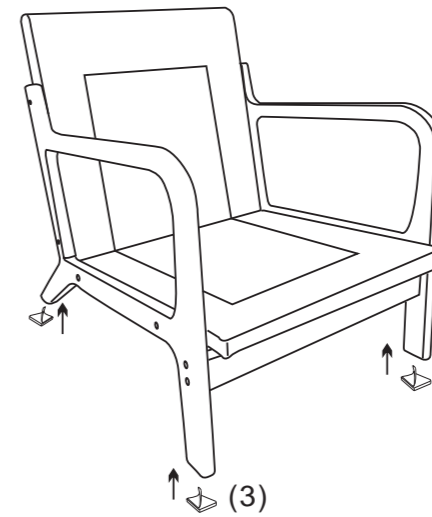


NOTE: Now, fully tighten all bolts !

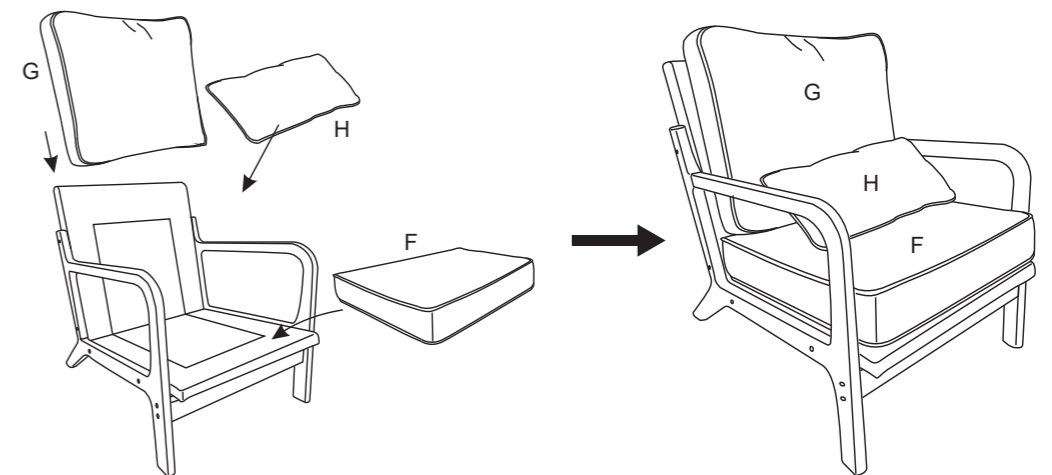
Step 5



(3)*4



Step 6



For best results, we recommend ironing the cushions before use.

Attention

The chair may wobble if not assembled properly. To fix this, loosen the bolts by 2-3 turns, sit on the chair to ensure all four legs rest evenly on the ground, then retighten the bolts.