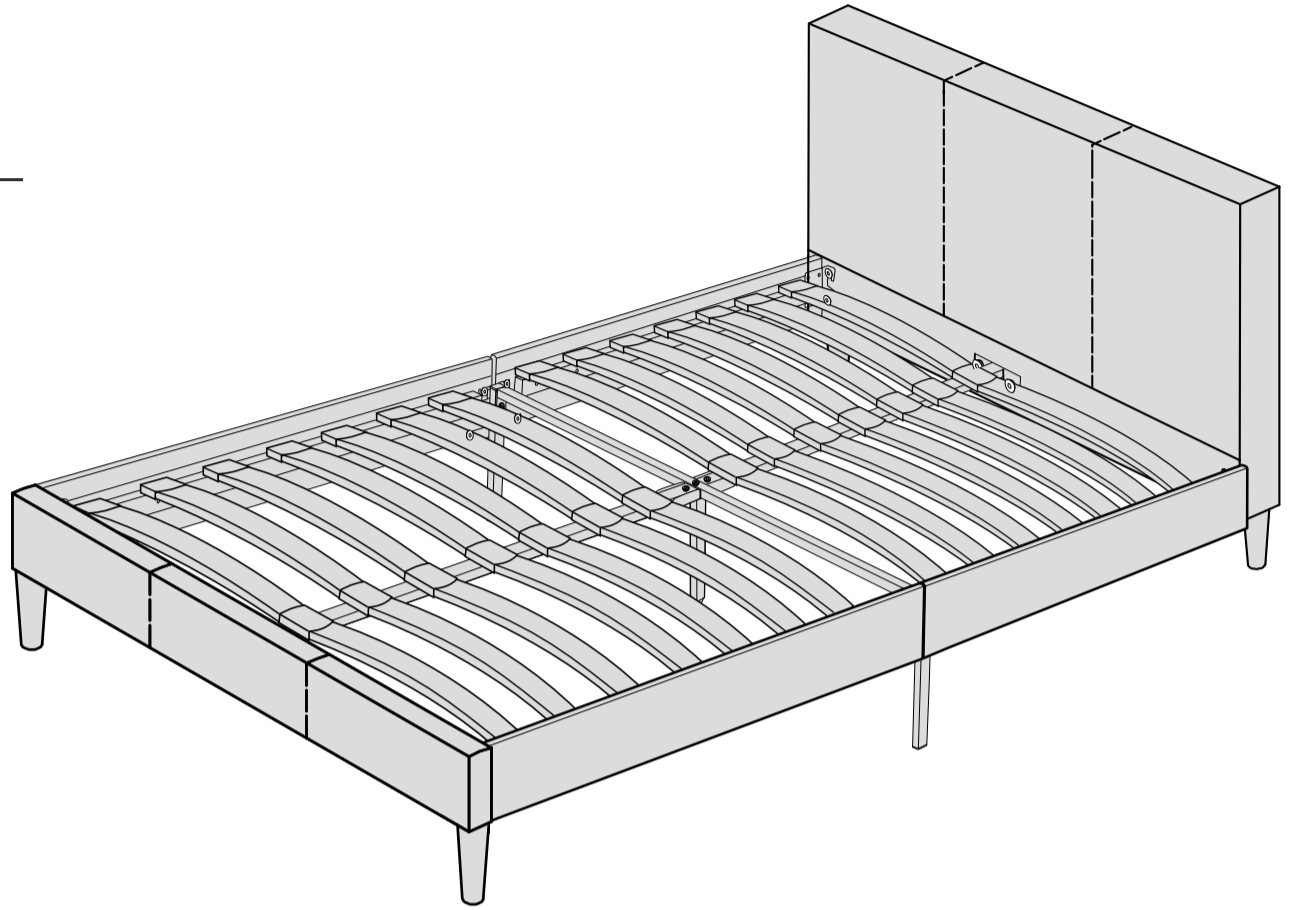
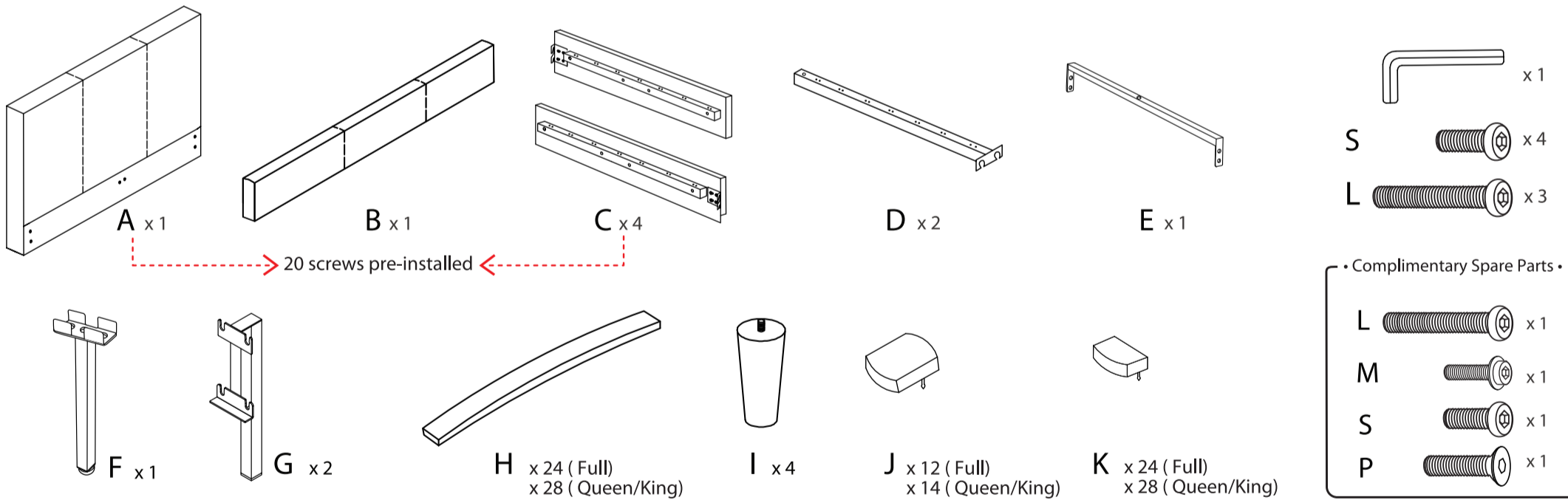


PLATFORM BED

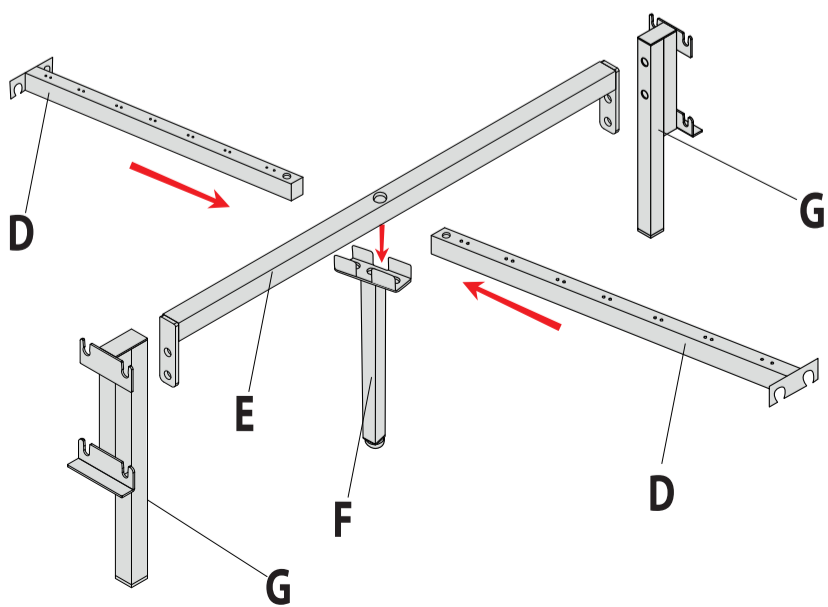
INSTRUCTIONS



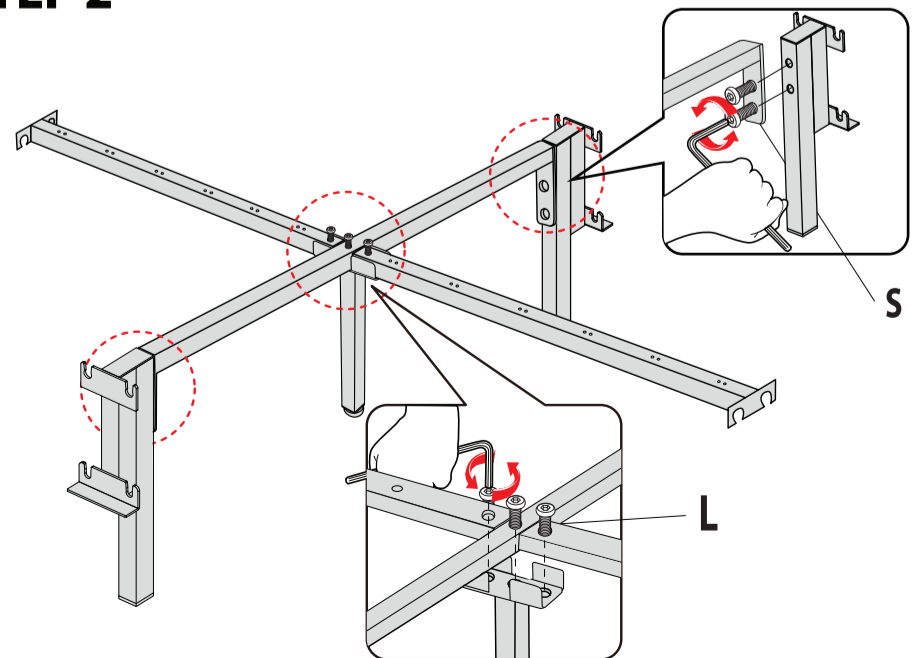
Components



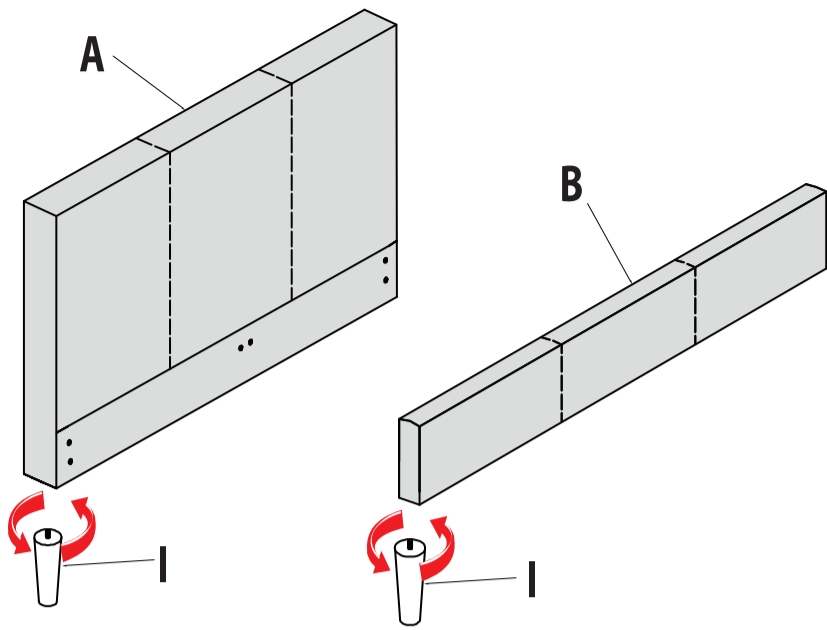
STEP 1



STEP 2

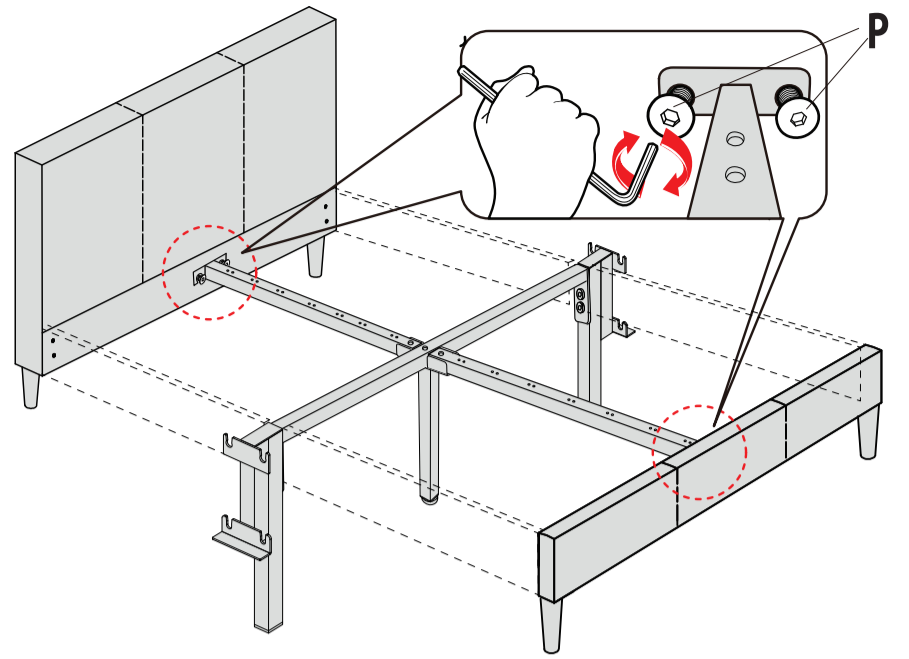


STEP 3

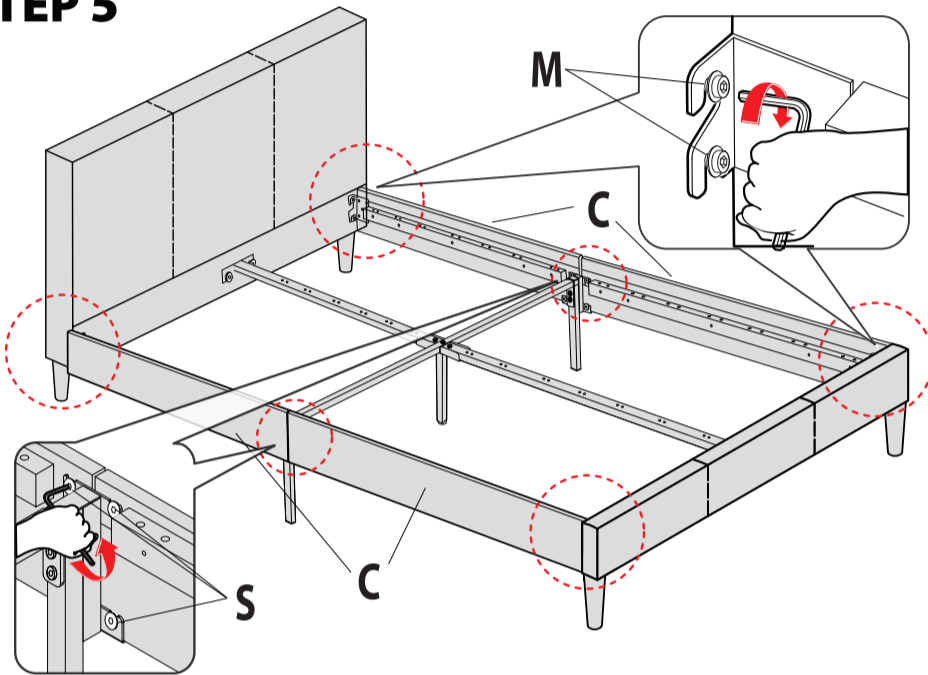


STEP 4

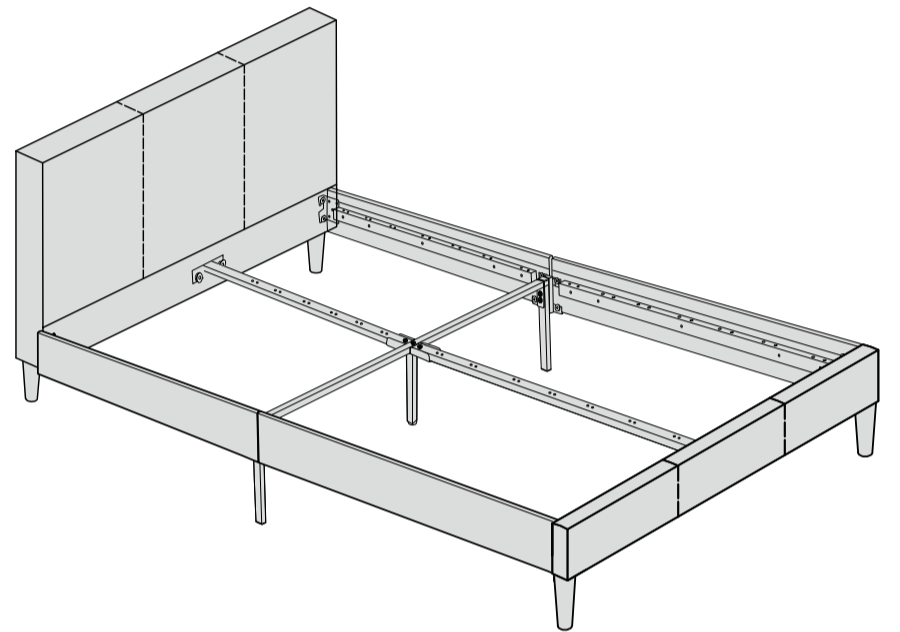
✘ Slightly loose all bolts before assembly and tighten after all pieces are in place.



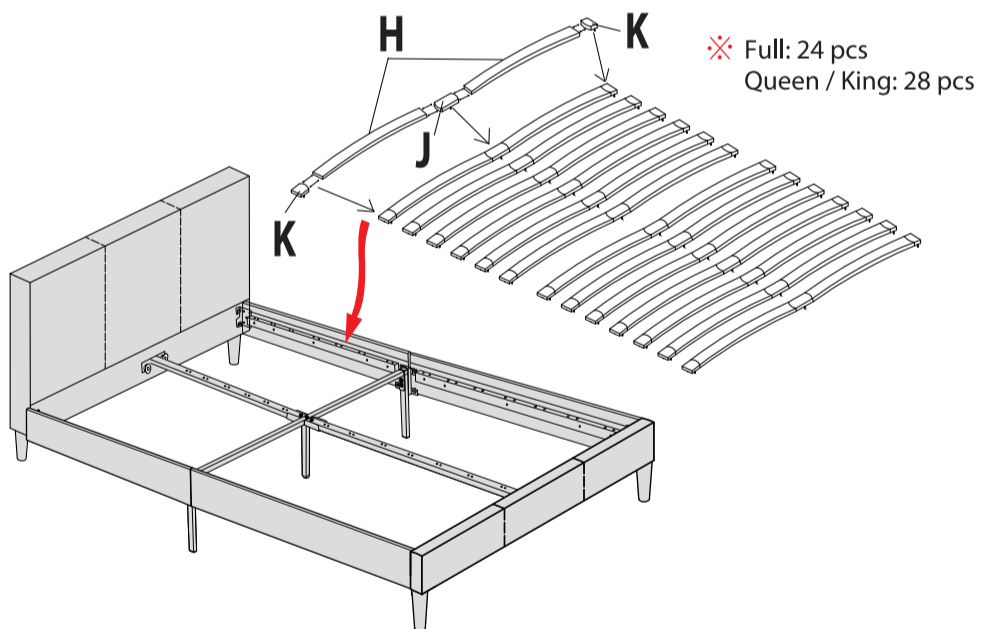
STEP 5



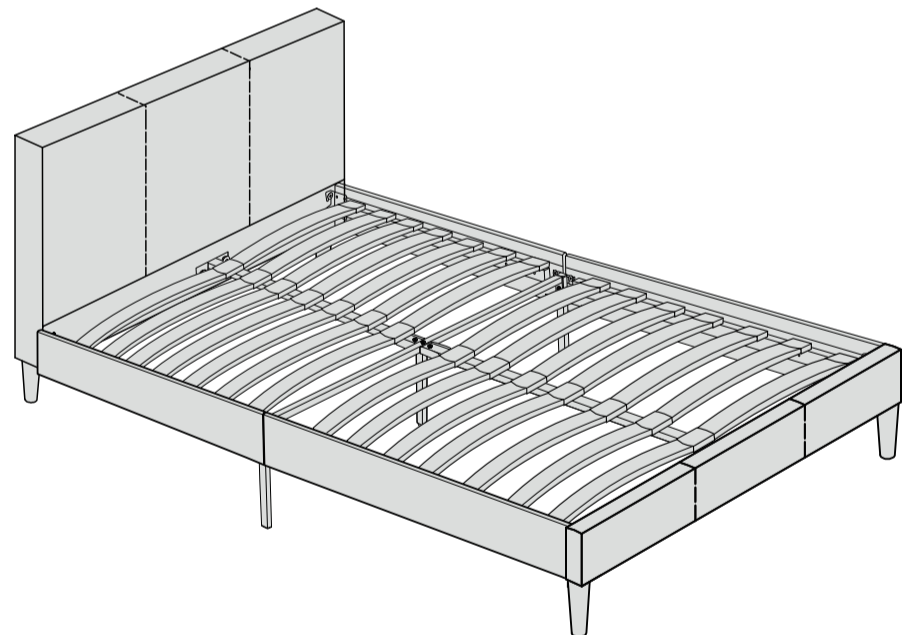
STEP 6



STEP 7



STEP 8



STEP 9

