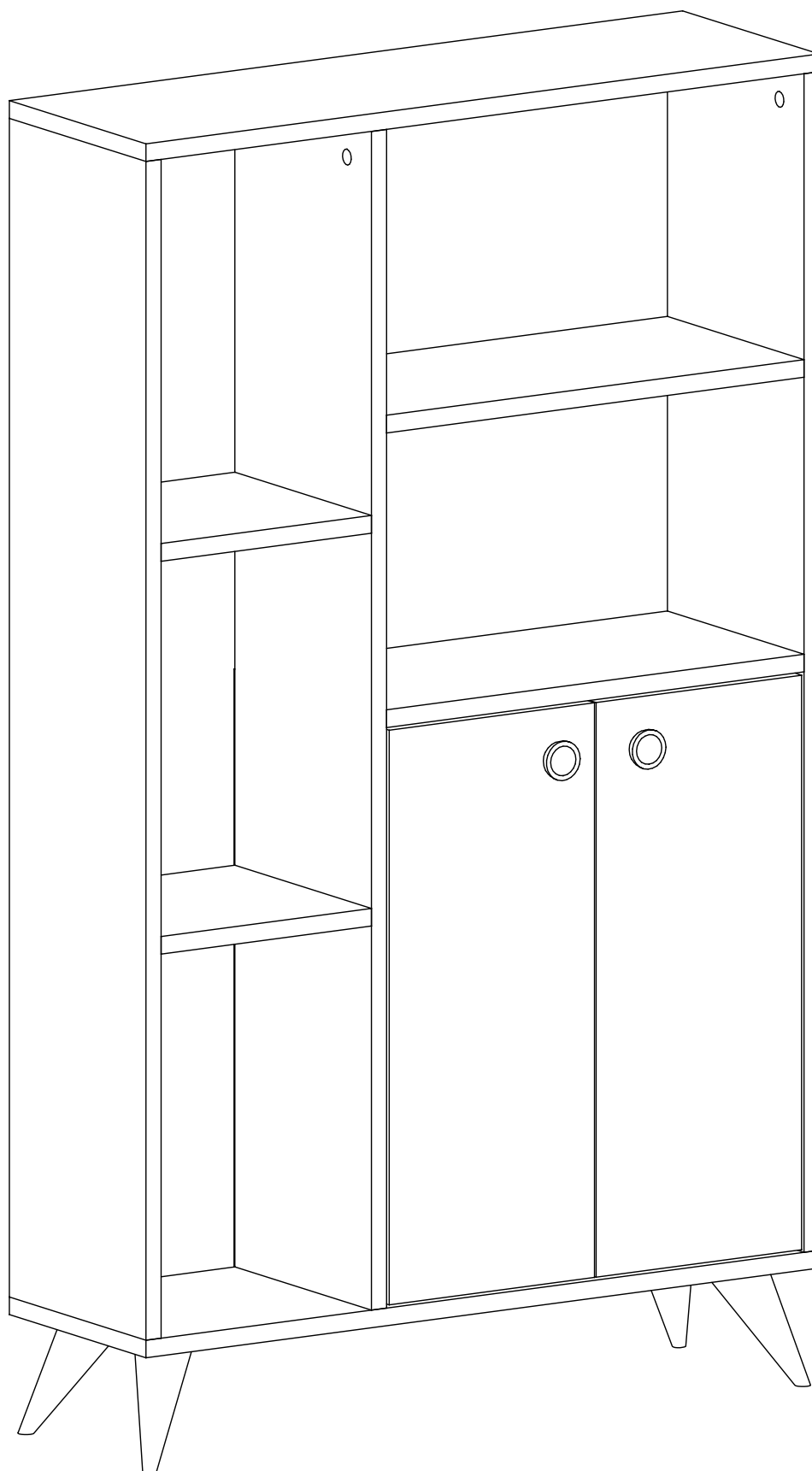
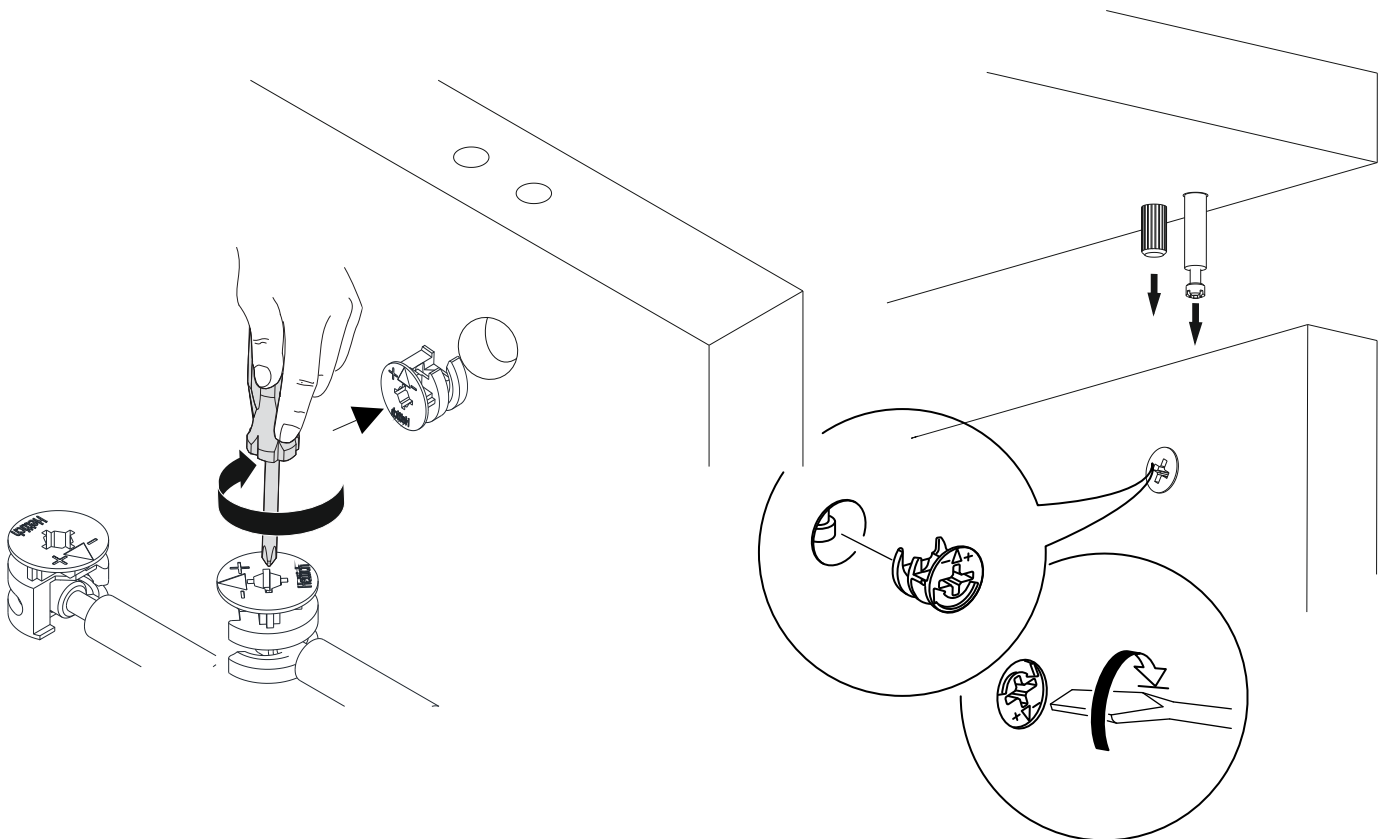
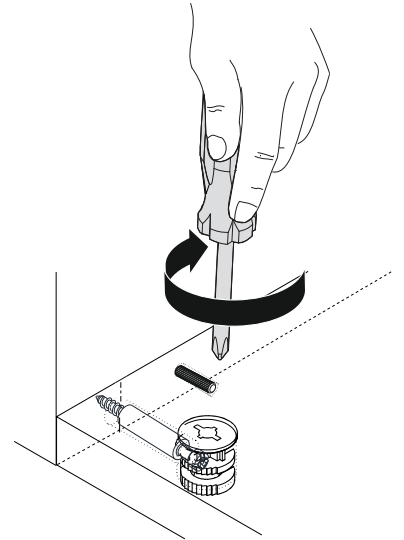
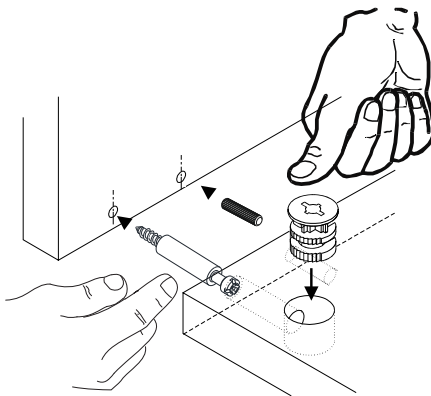
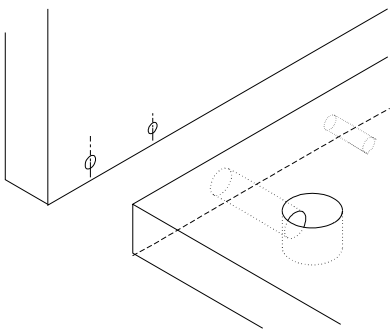
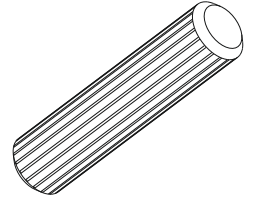
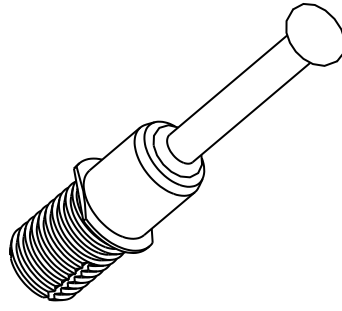
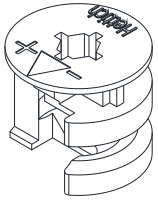






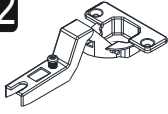
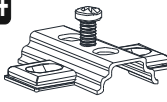
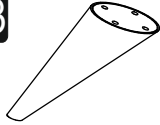
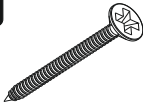




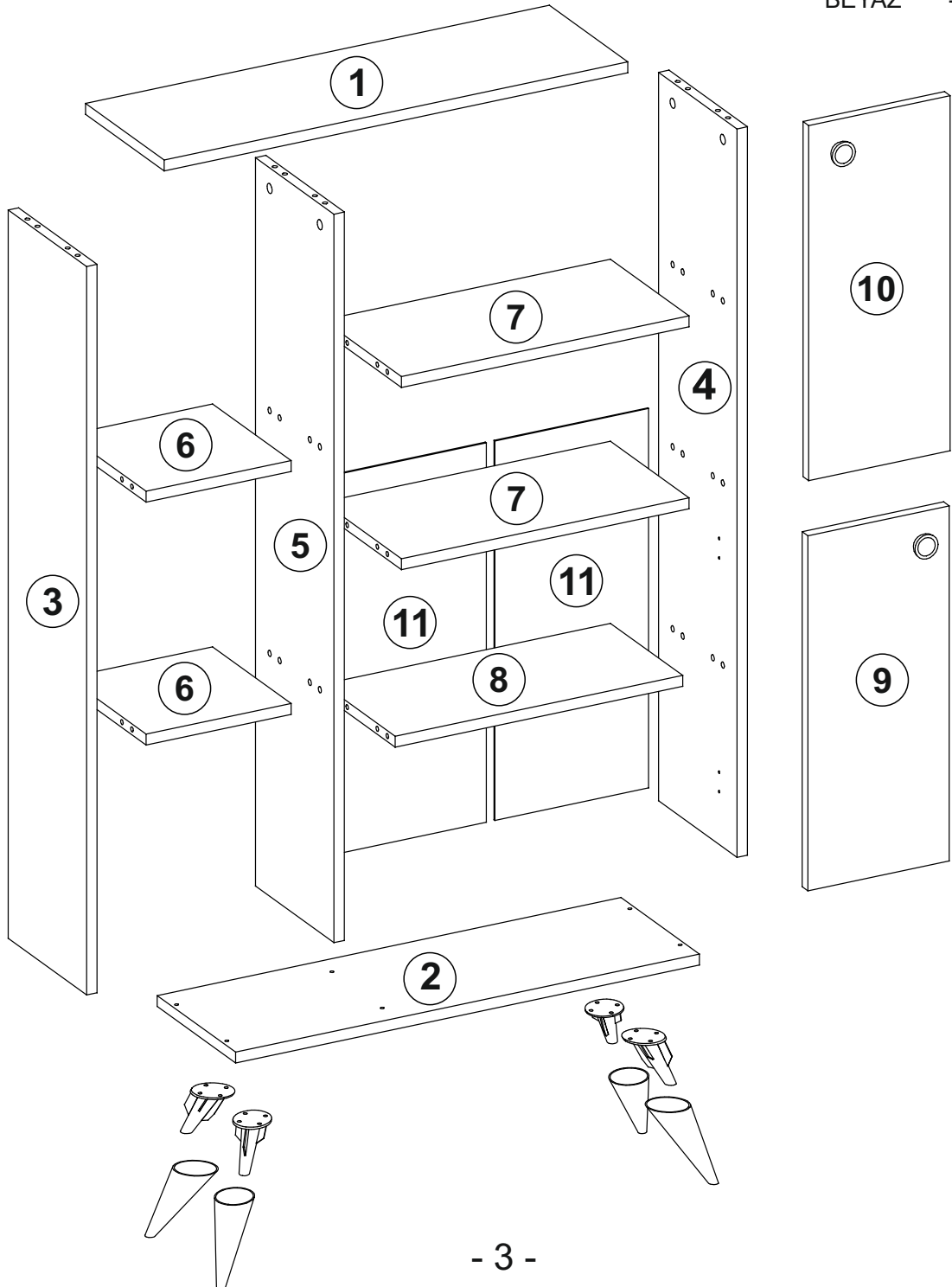
# MULTIFUNCTIONAL BOOKCASE

KURULUM TALIMATI / ASSEMBLY MANUAL

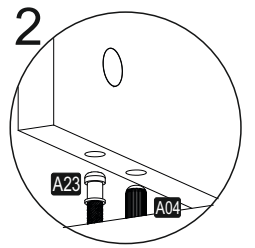
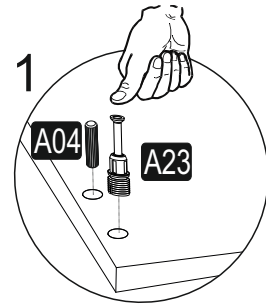
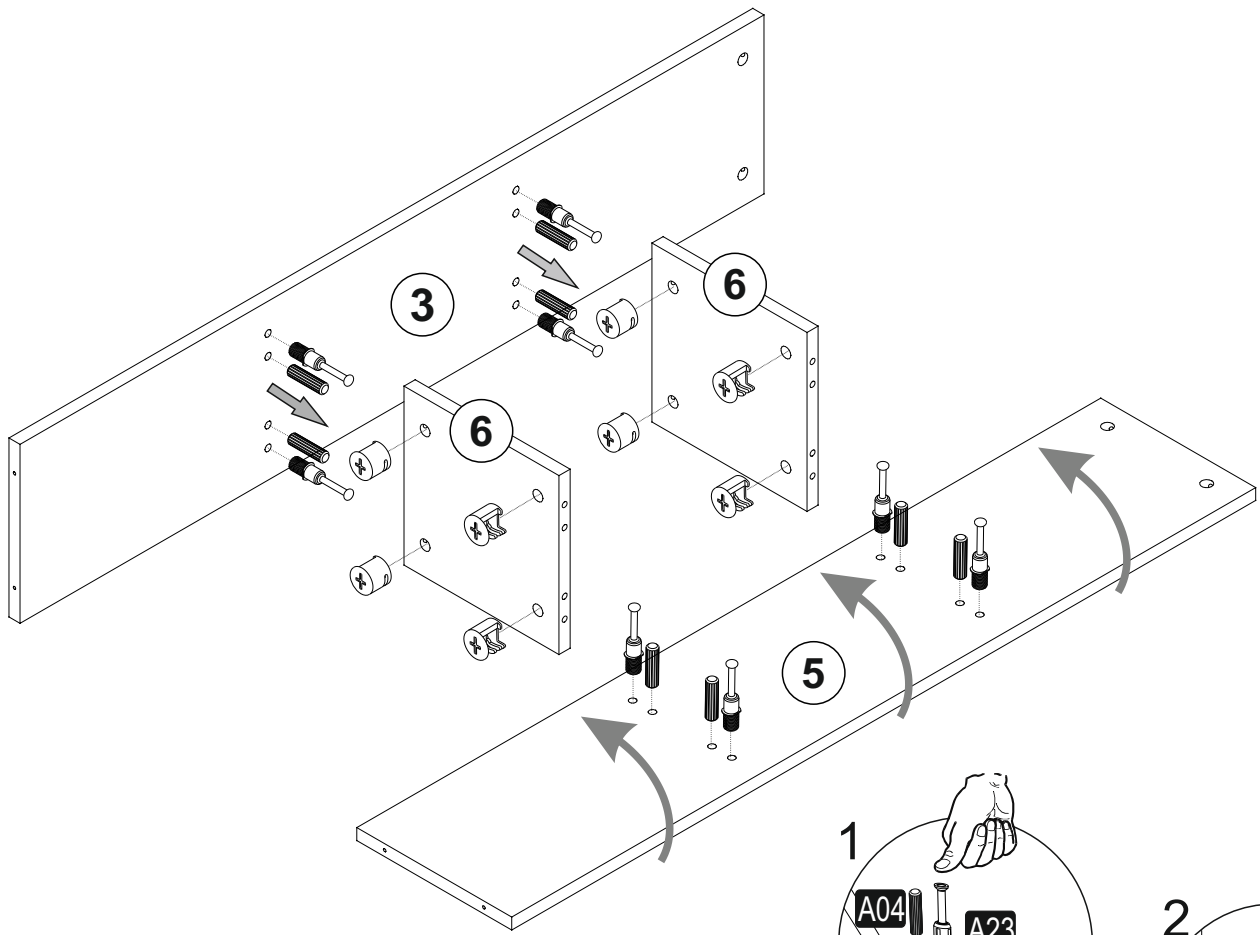




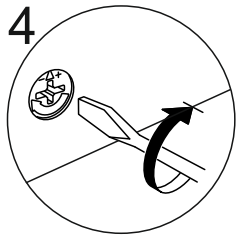
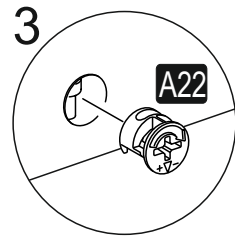
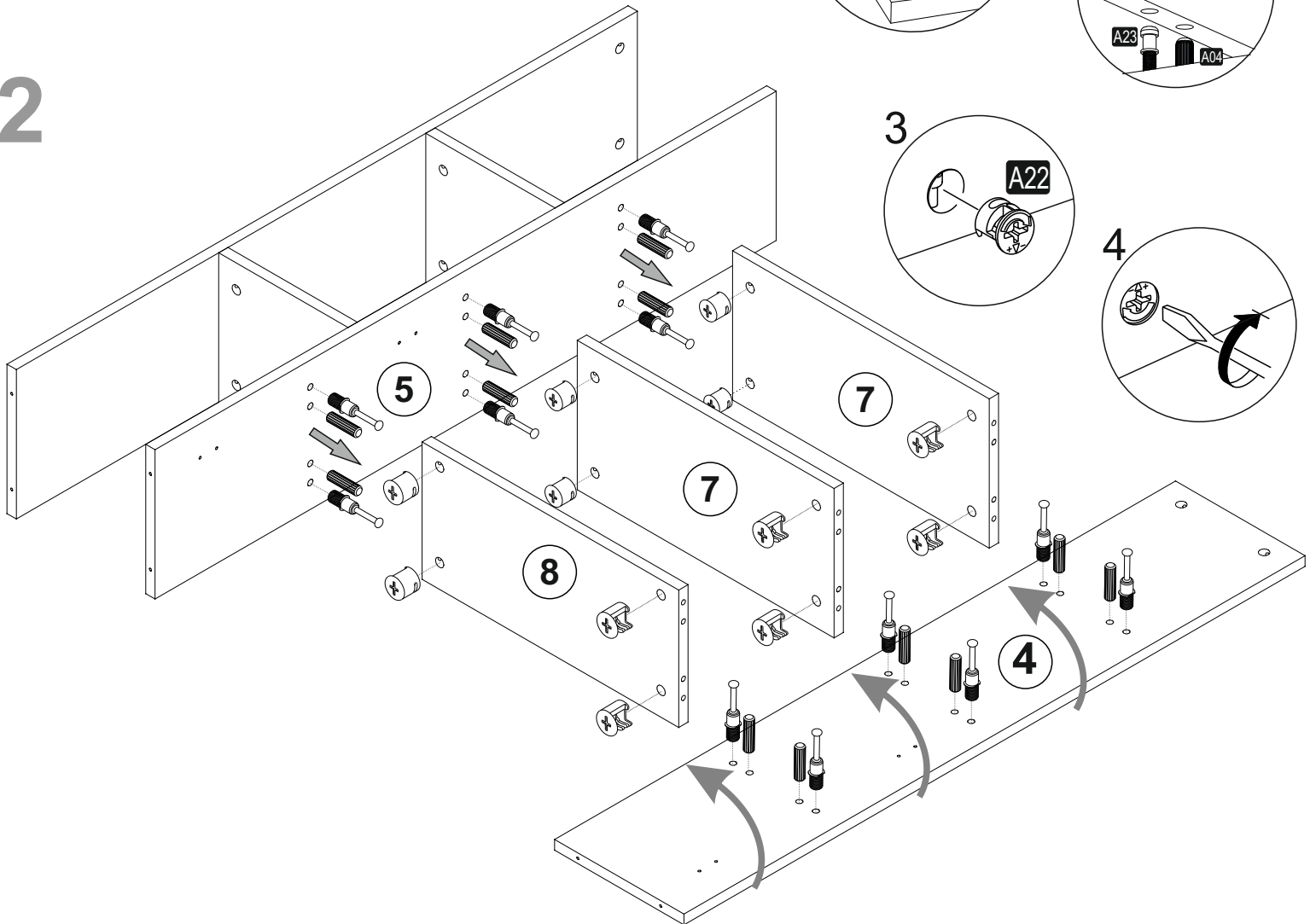
<b>A23</b>  26x	<b>A22</b>  26x	<b>A04</b>  26x	<b>A49</b>  20mm 2x	KV <b>K26</b> SYH MNTR KLP 2x
<b>A48</b>  36x AC	<b>A18</b>  32x 3,5x18	<b>C02</b>  4x SDM	<b>C04</b>  4x MA	<b>A63</b>  4x 12 cm SYH
<b>A17</b>  6x 4x50	<b>A06</b>  20x 1. RNK 18 mm	<b>A10</b>  6x 2. RNK 14mm	<b>1.RNK</b> <b>2.RNK</b> ATLANTİK - ANTRASİT ATLANTİK - BEYAZ LİDYA - BUTE BEJ LİDYA - ANTRASİT BEYAZ - BEYAZ	



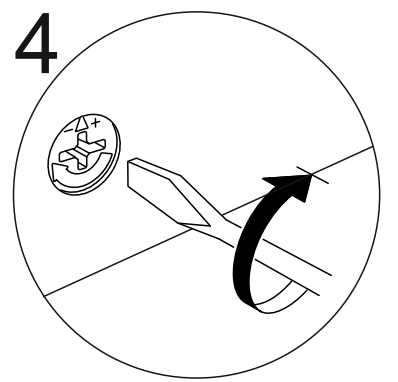
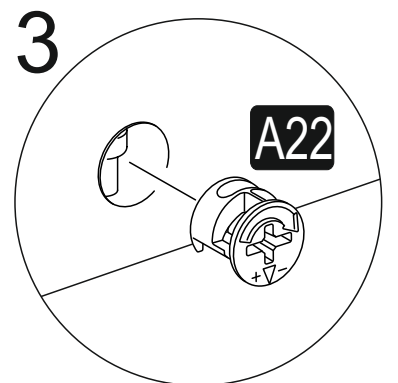
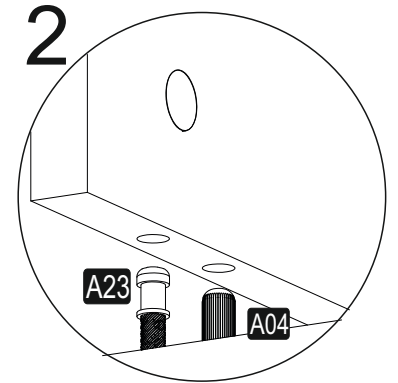
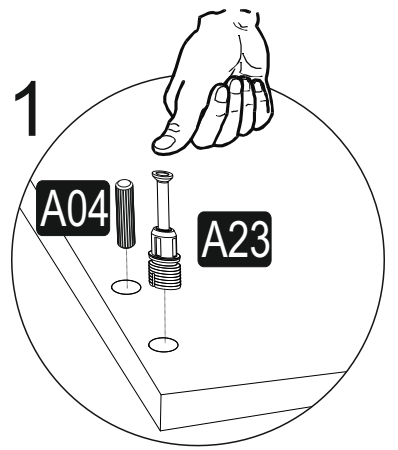
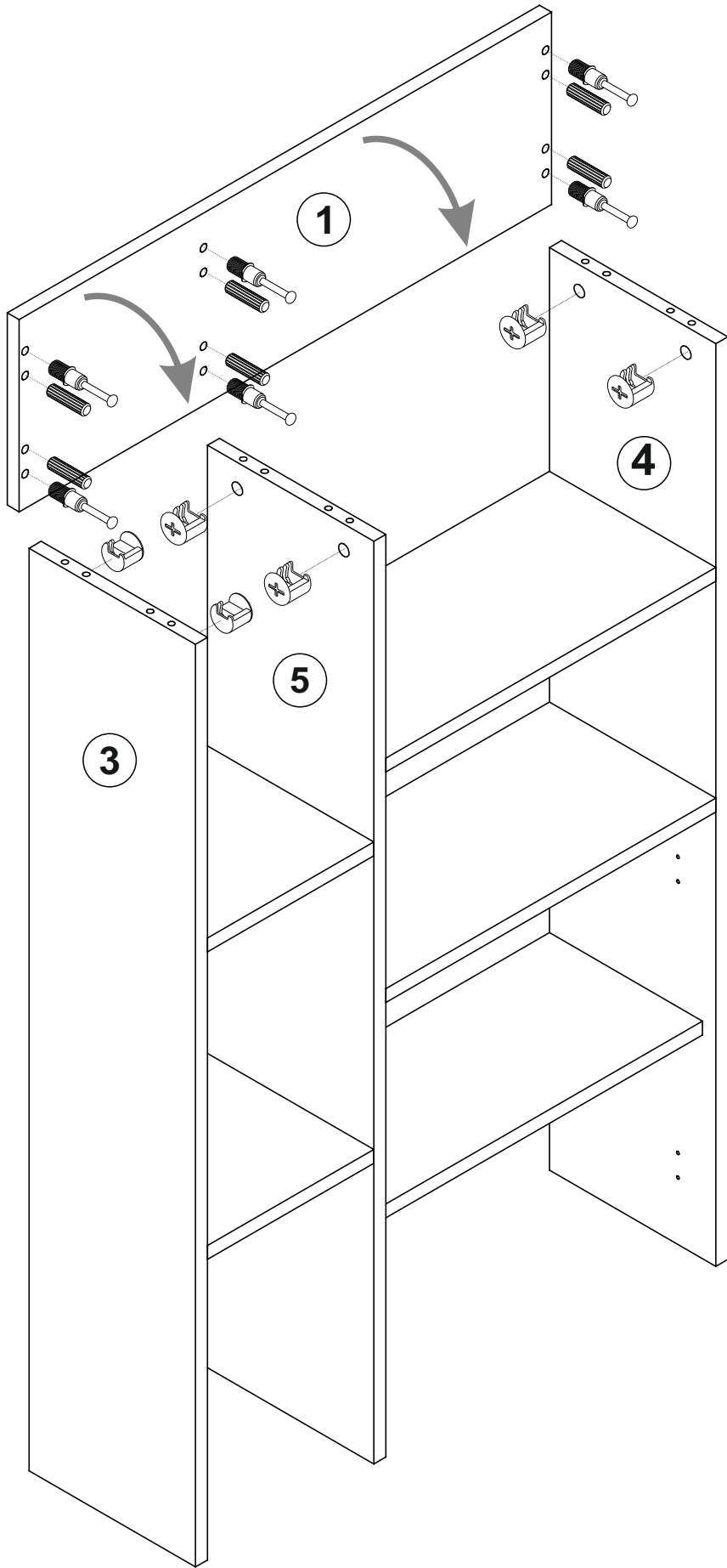
1



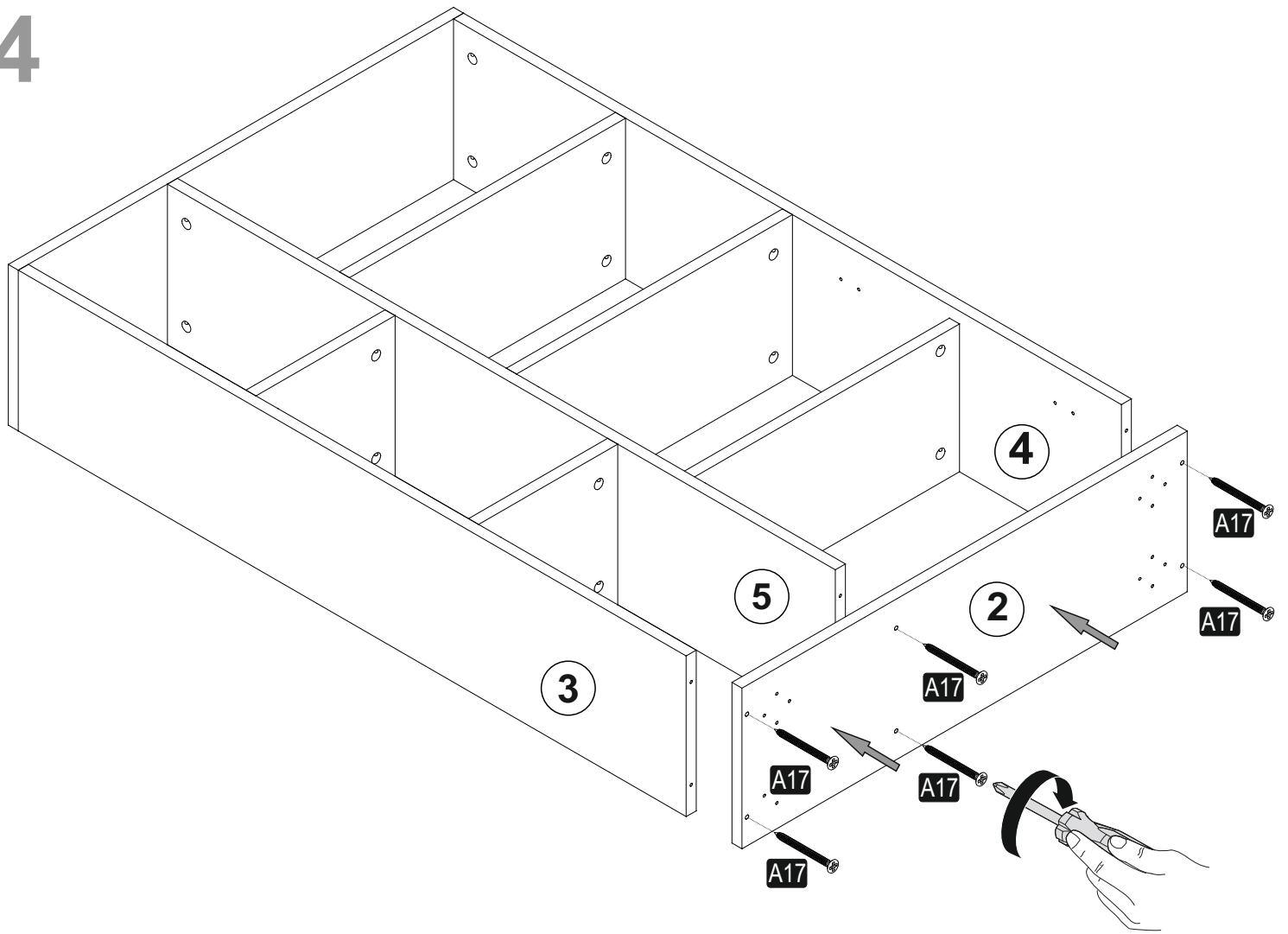
2



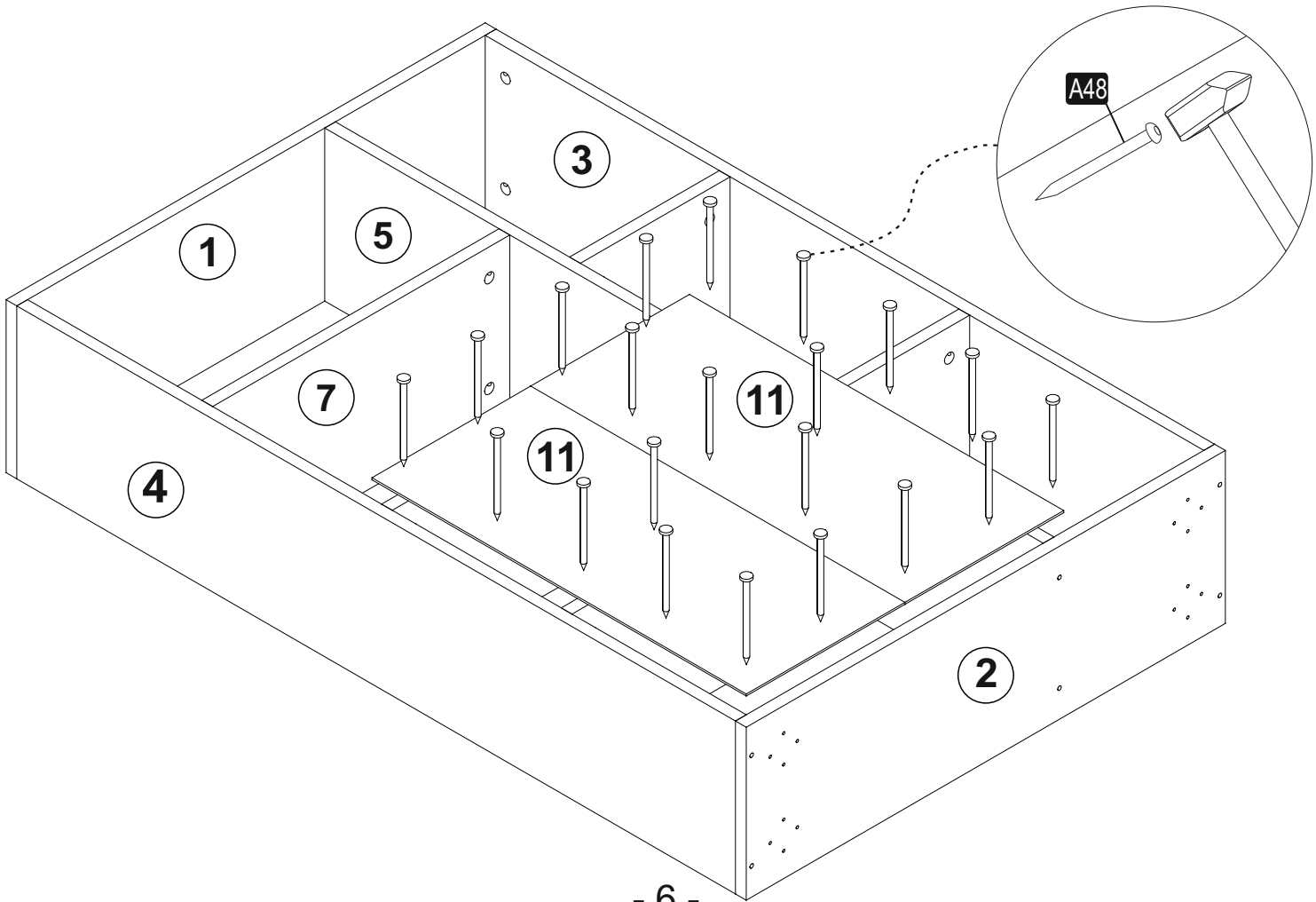
# 3



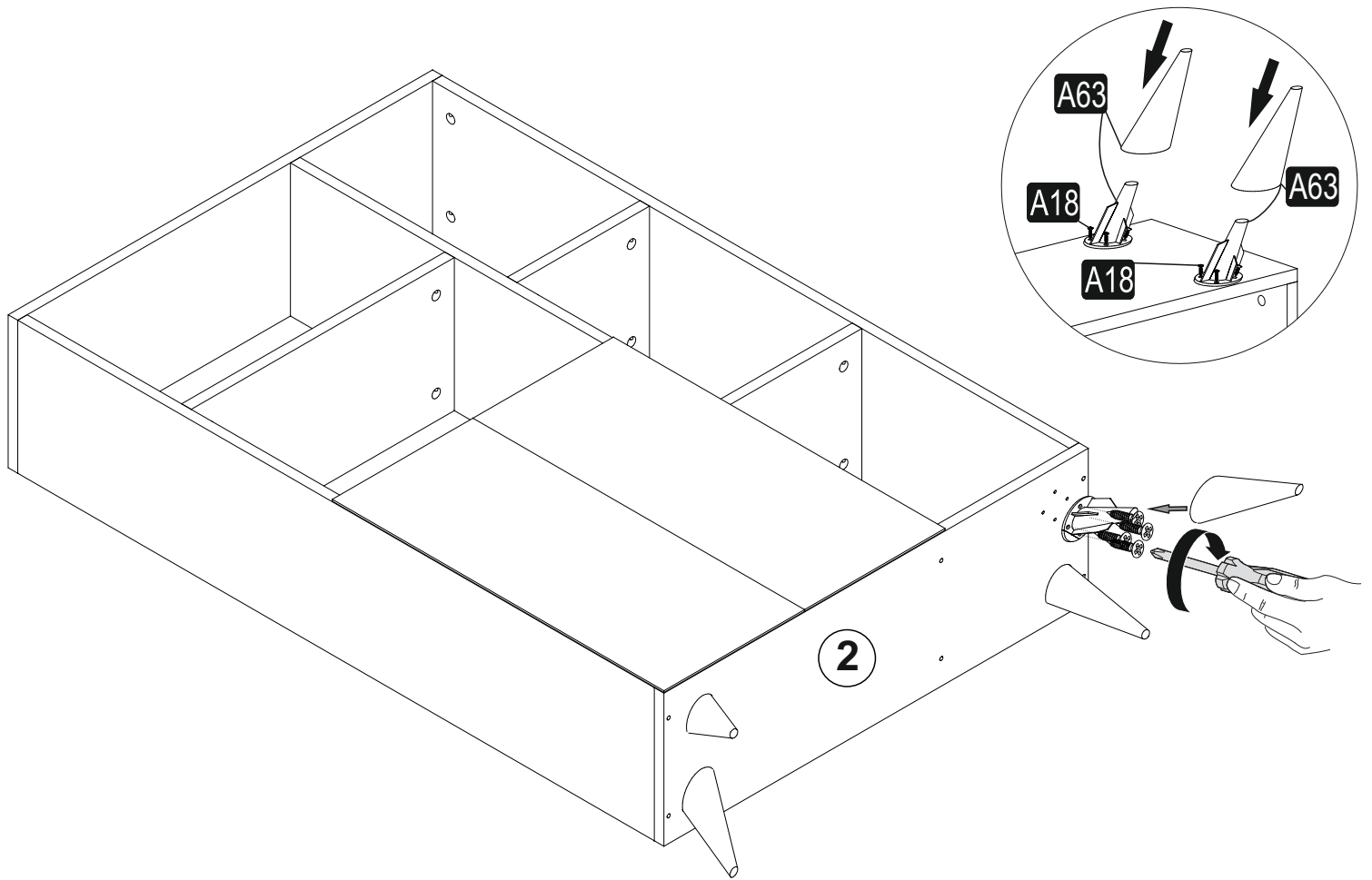
4



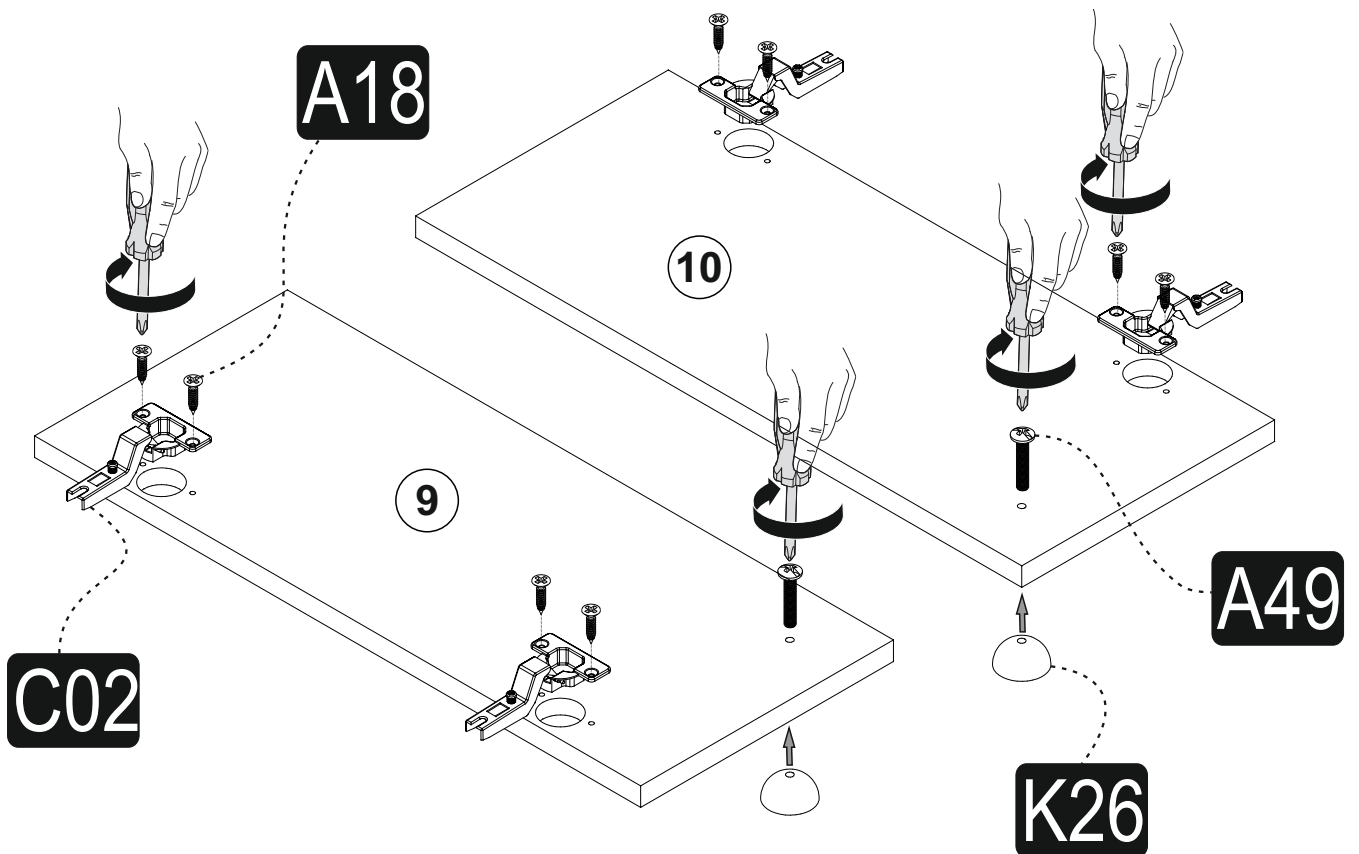
5



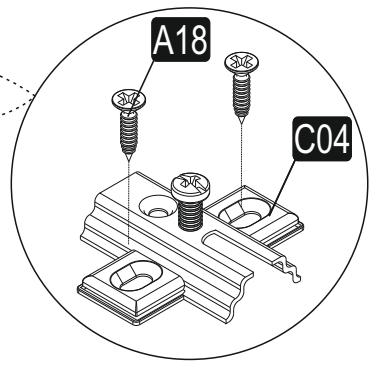
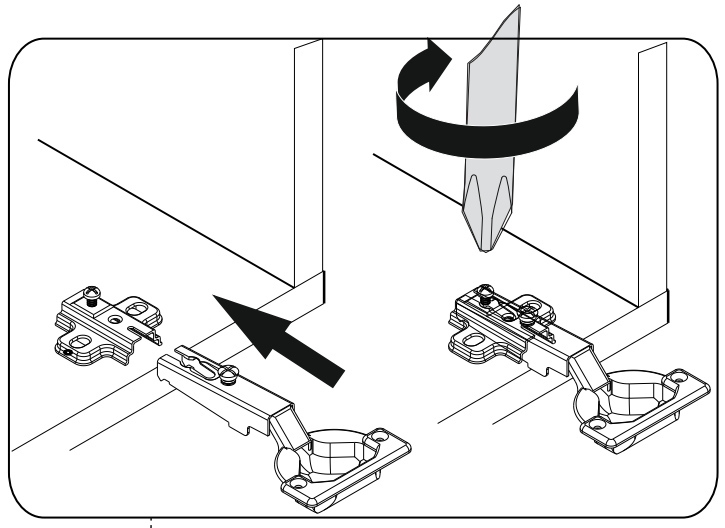
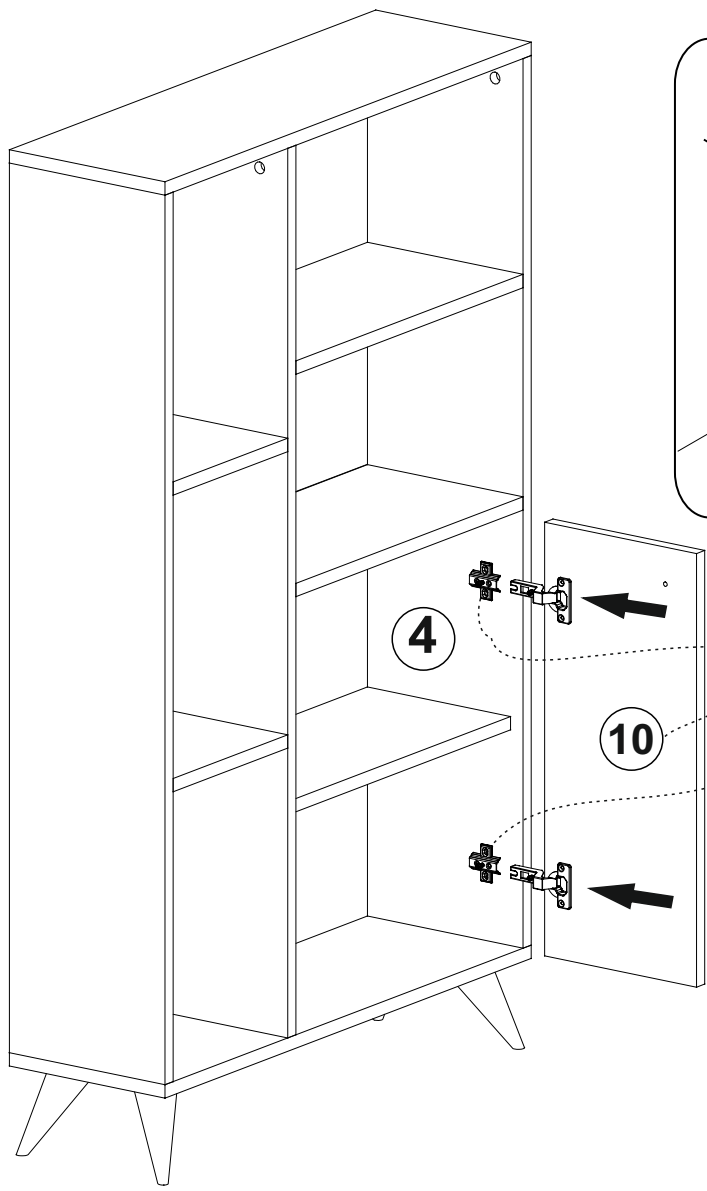
6



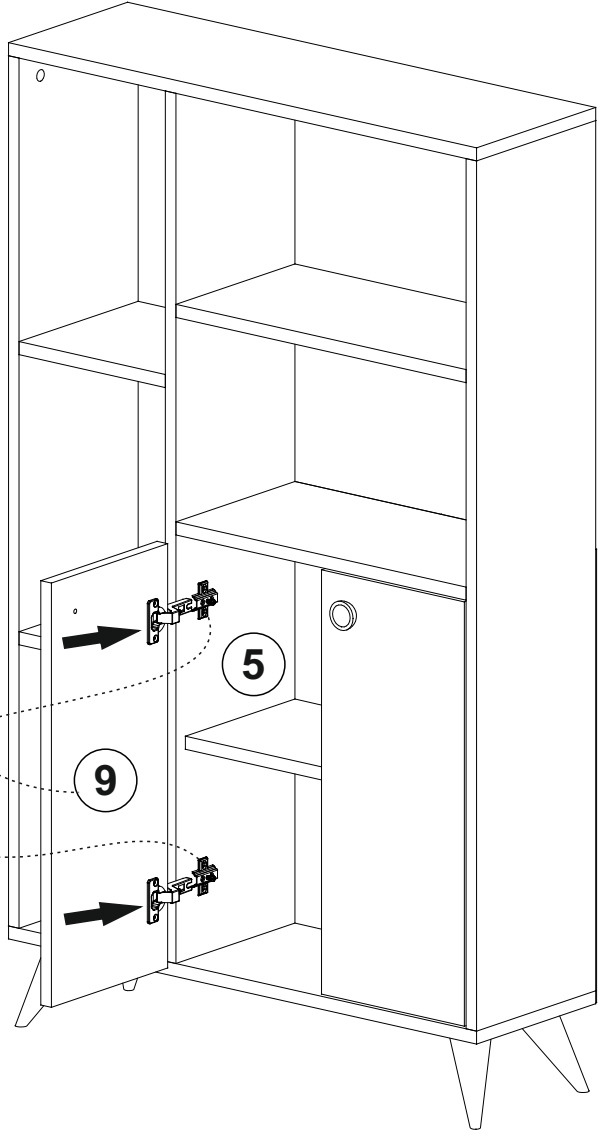
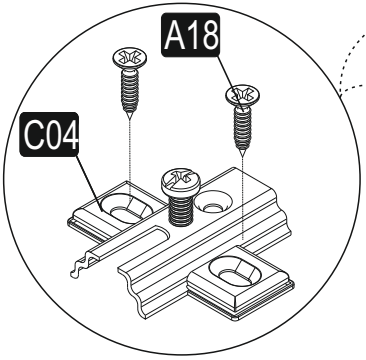
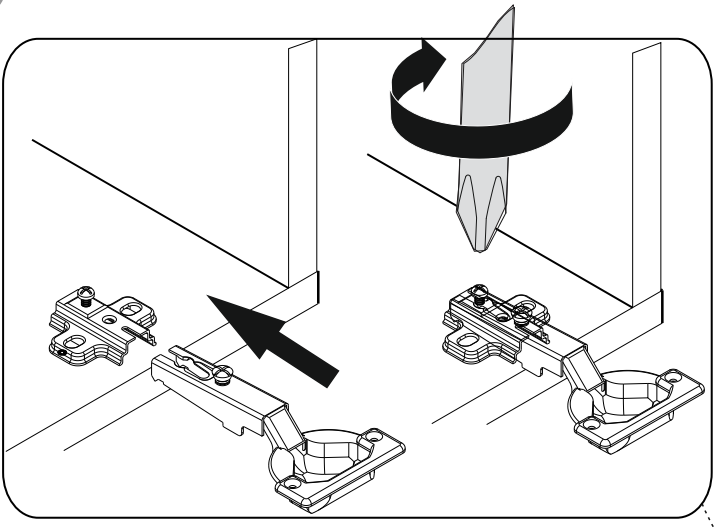
7



8



9



# Kapak menteşe ayarı Door hinge setting

