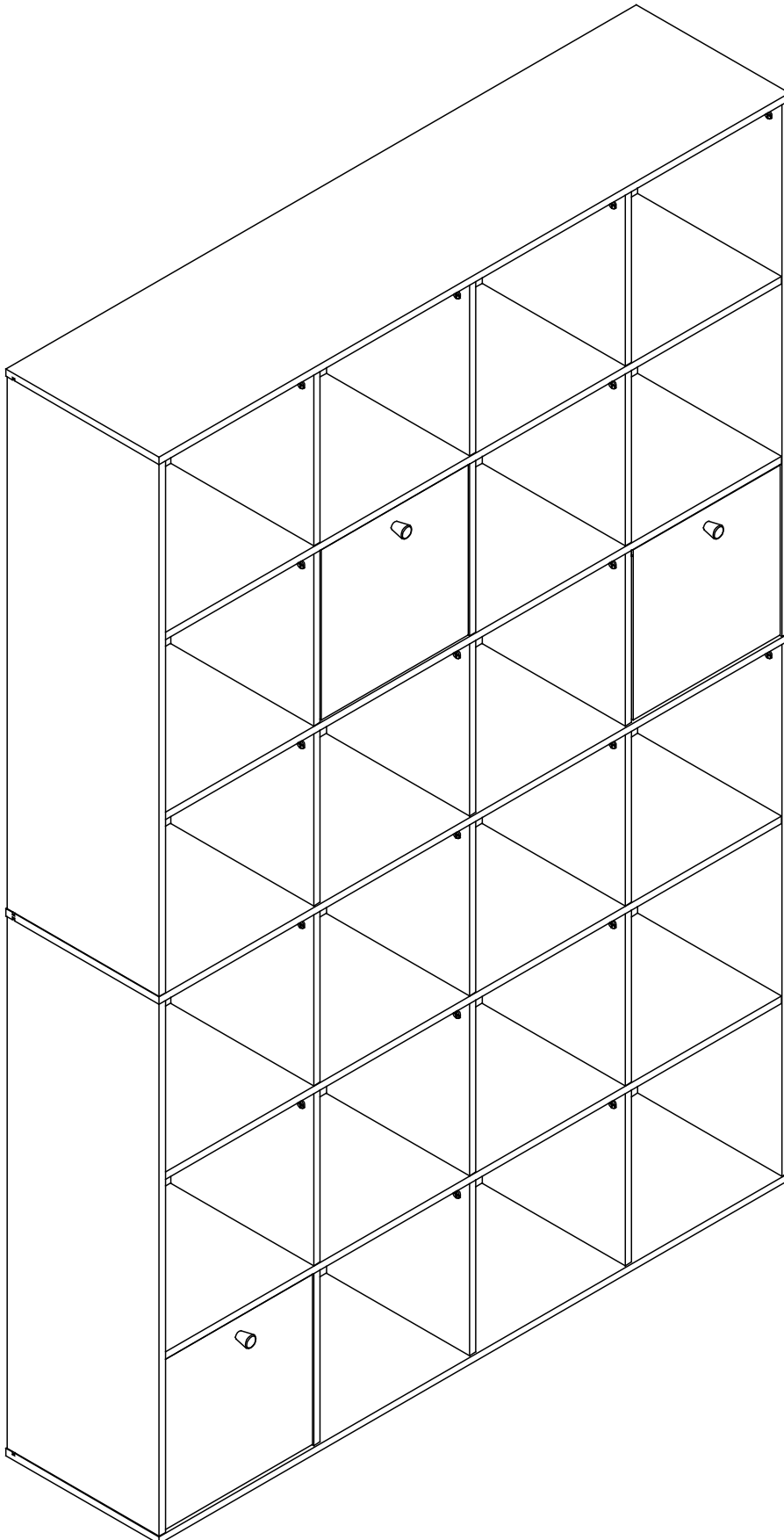
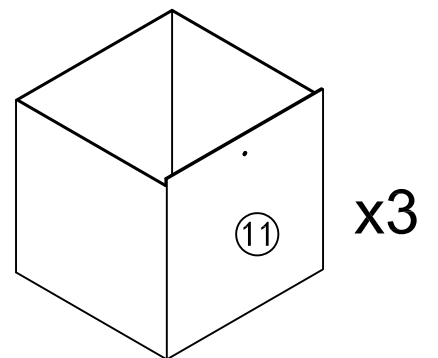
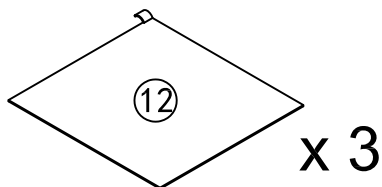
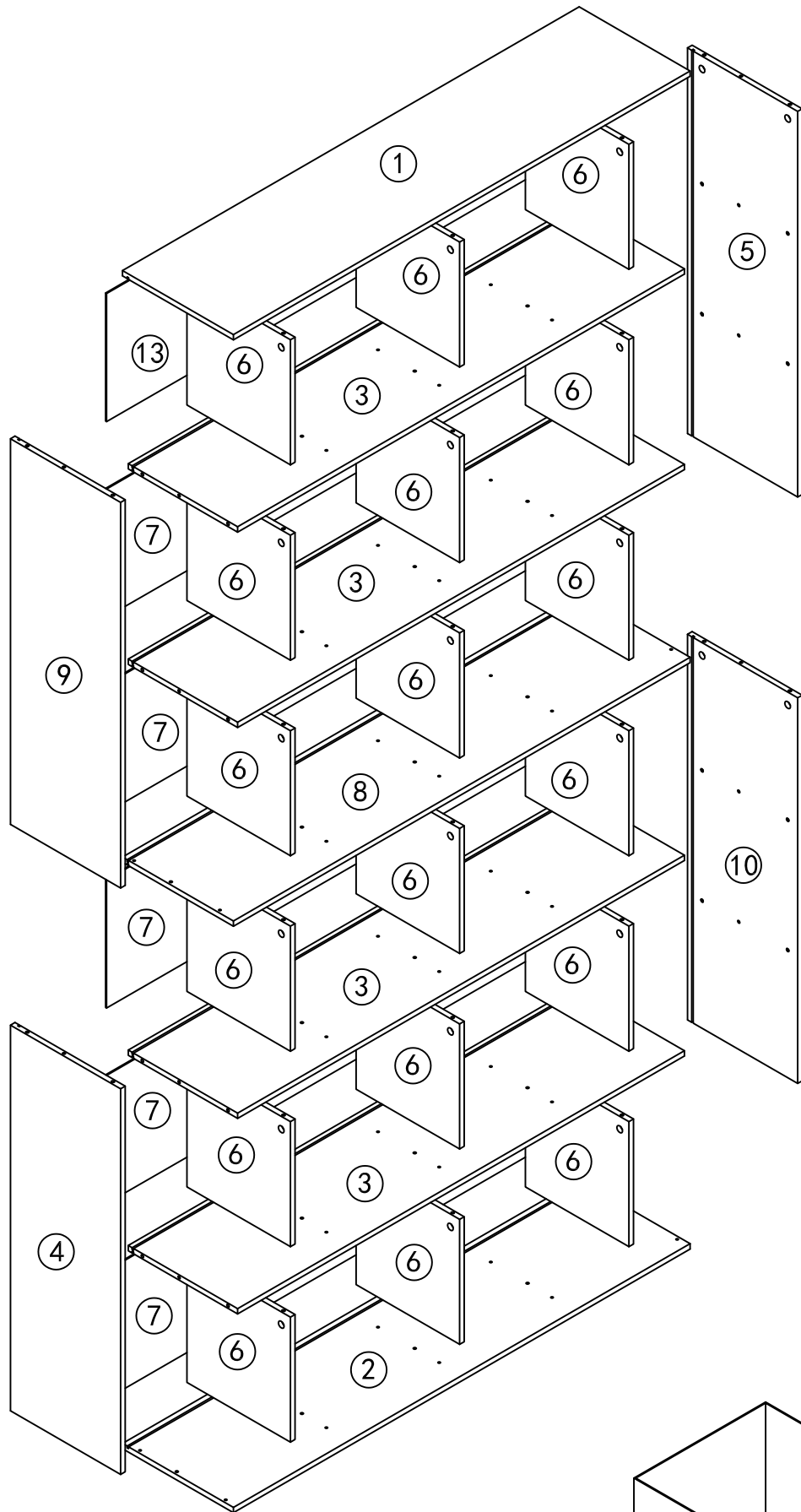
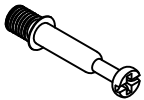

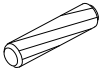







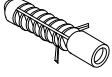




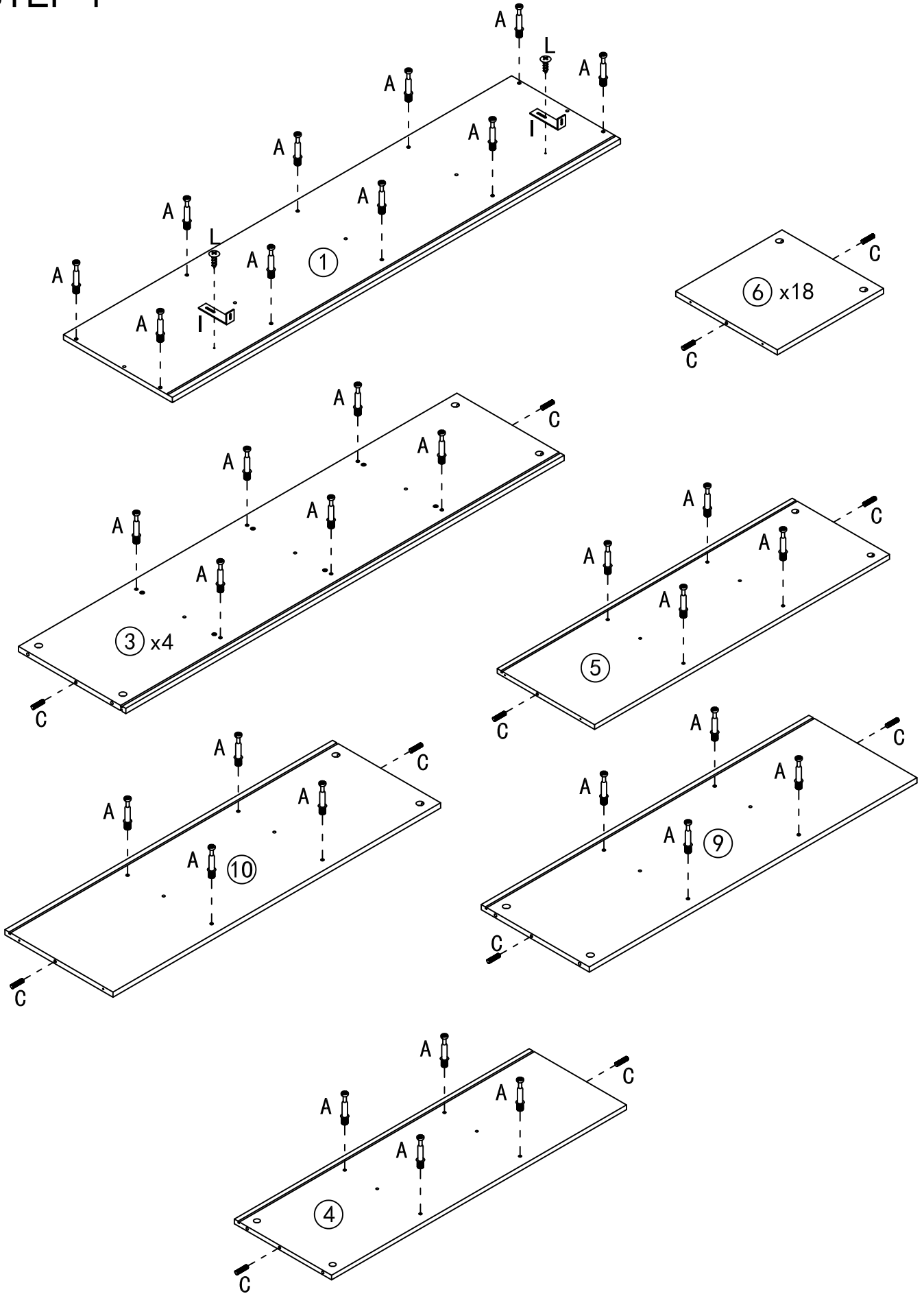
Installation & Assembly


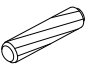






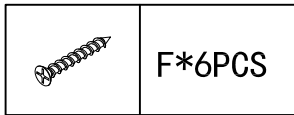
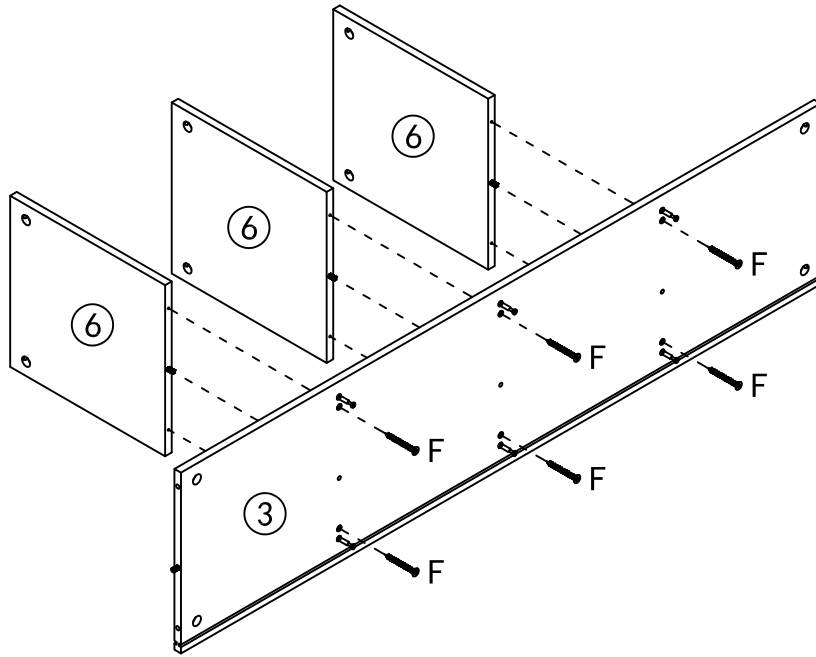
A  60+2PCS	B  60+2PCS	C  Ø6*30MM 52+2PCS	D  M4*10MM 3PCS
E  3PCS	F  M4*30MM 44+2PCS	G  48+2PCS	H  M3*16MM 48+2PCS
I  2PCS	J  Ø4*35MM 2PCS	K  2PCS	L  Ø4*12MM 2PCS
M  56+2PCS			

STEP 1

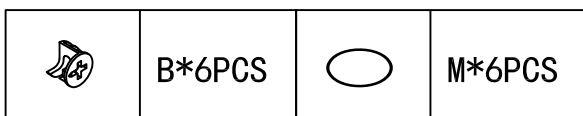
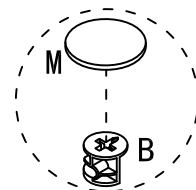
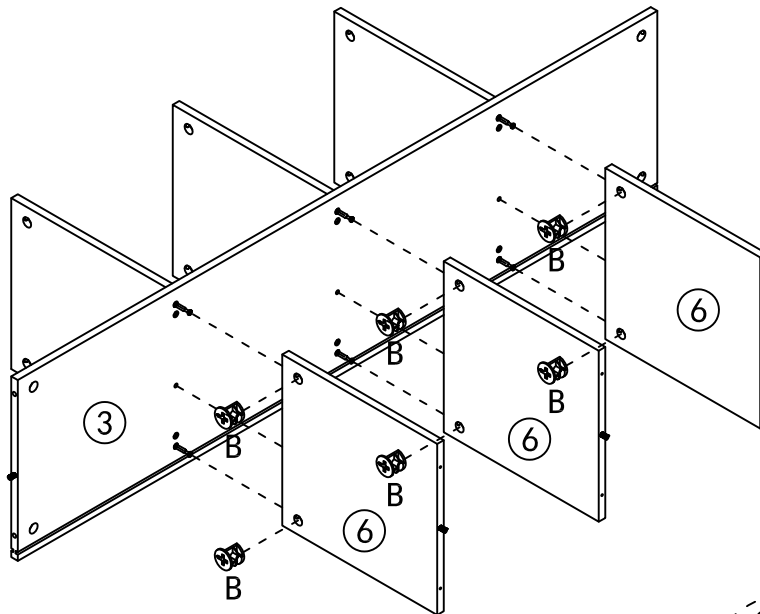


	A*50PCS		C*52PCS		I*2PCS		L*2PCS
---	---------	---	---------	---	--------	--	--------

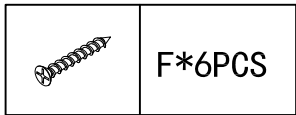
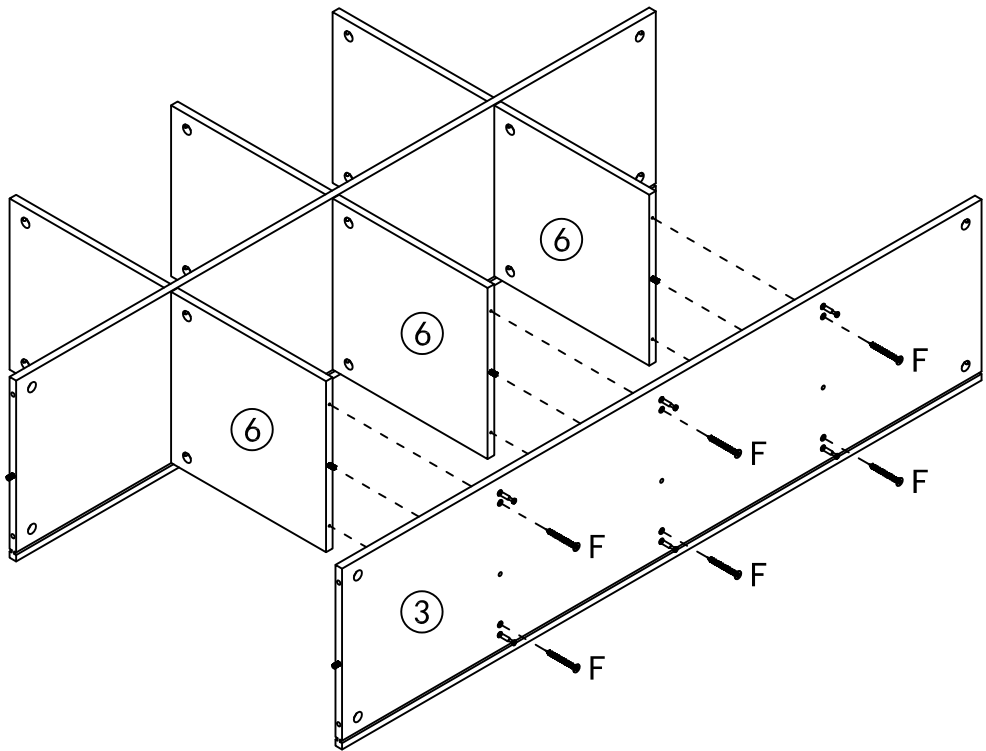
STEP 2



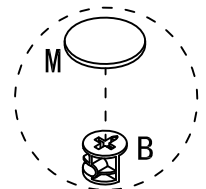
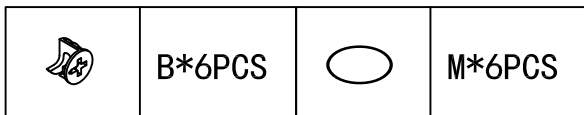
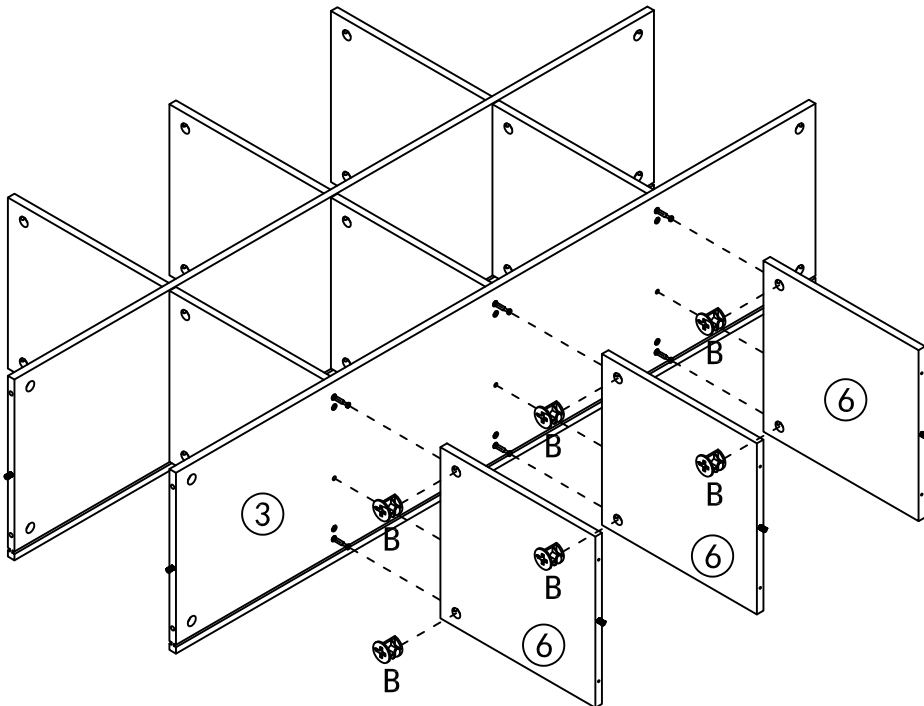
STEP 3



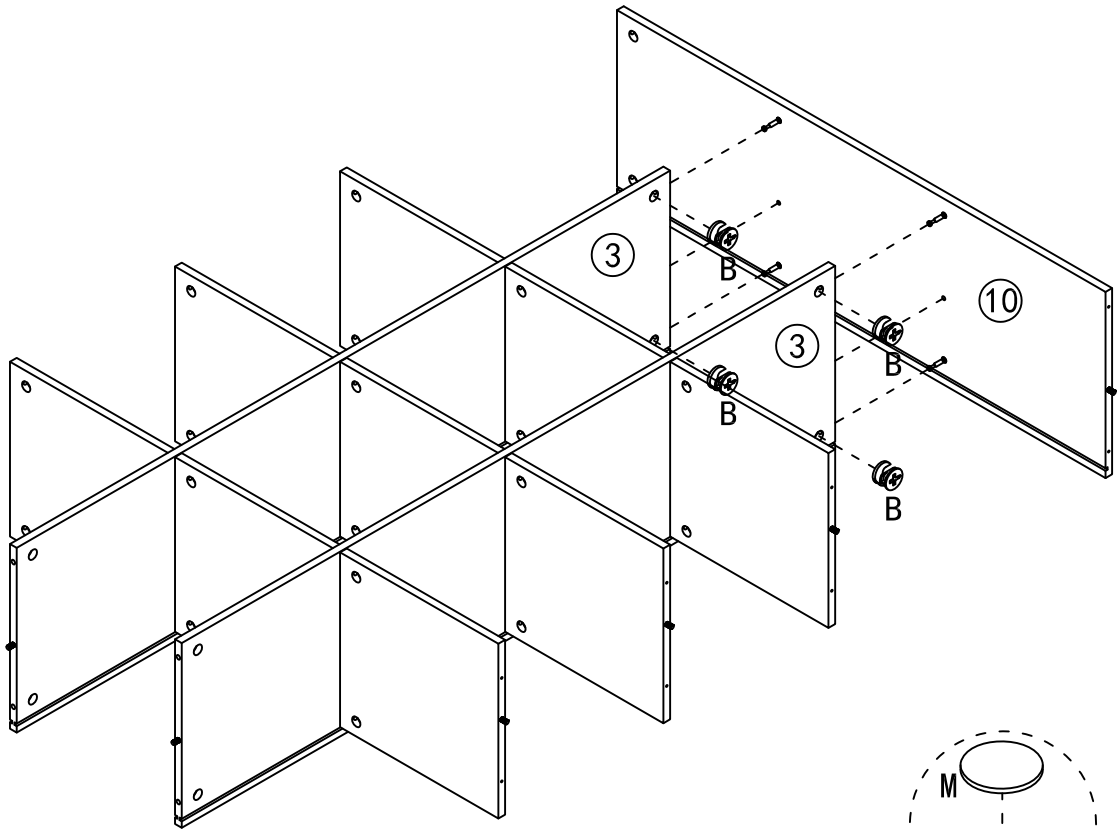
STEP 4





STEP 5

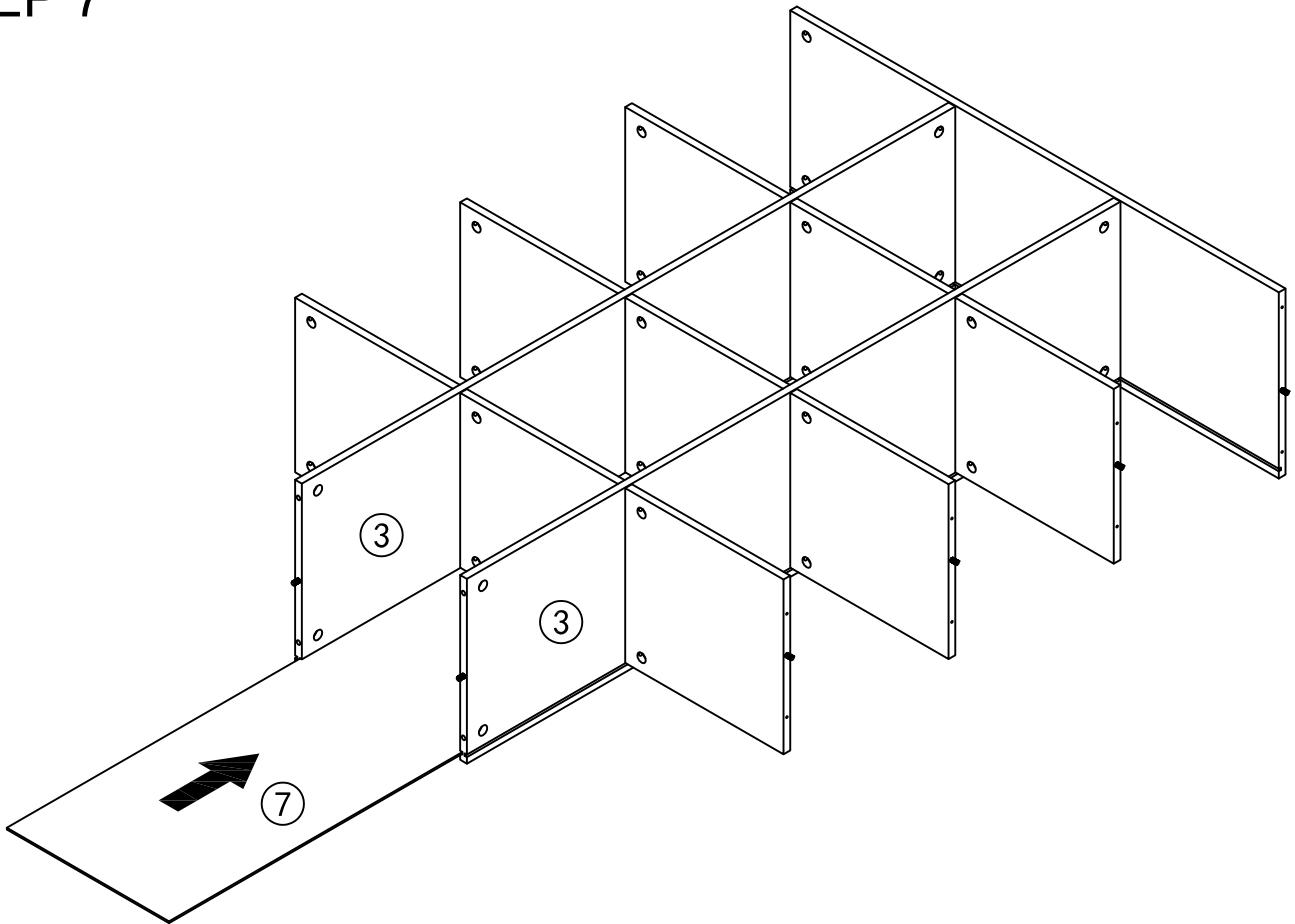


STEP 6

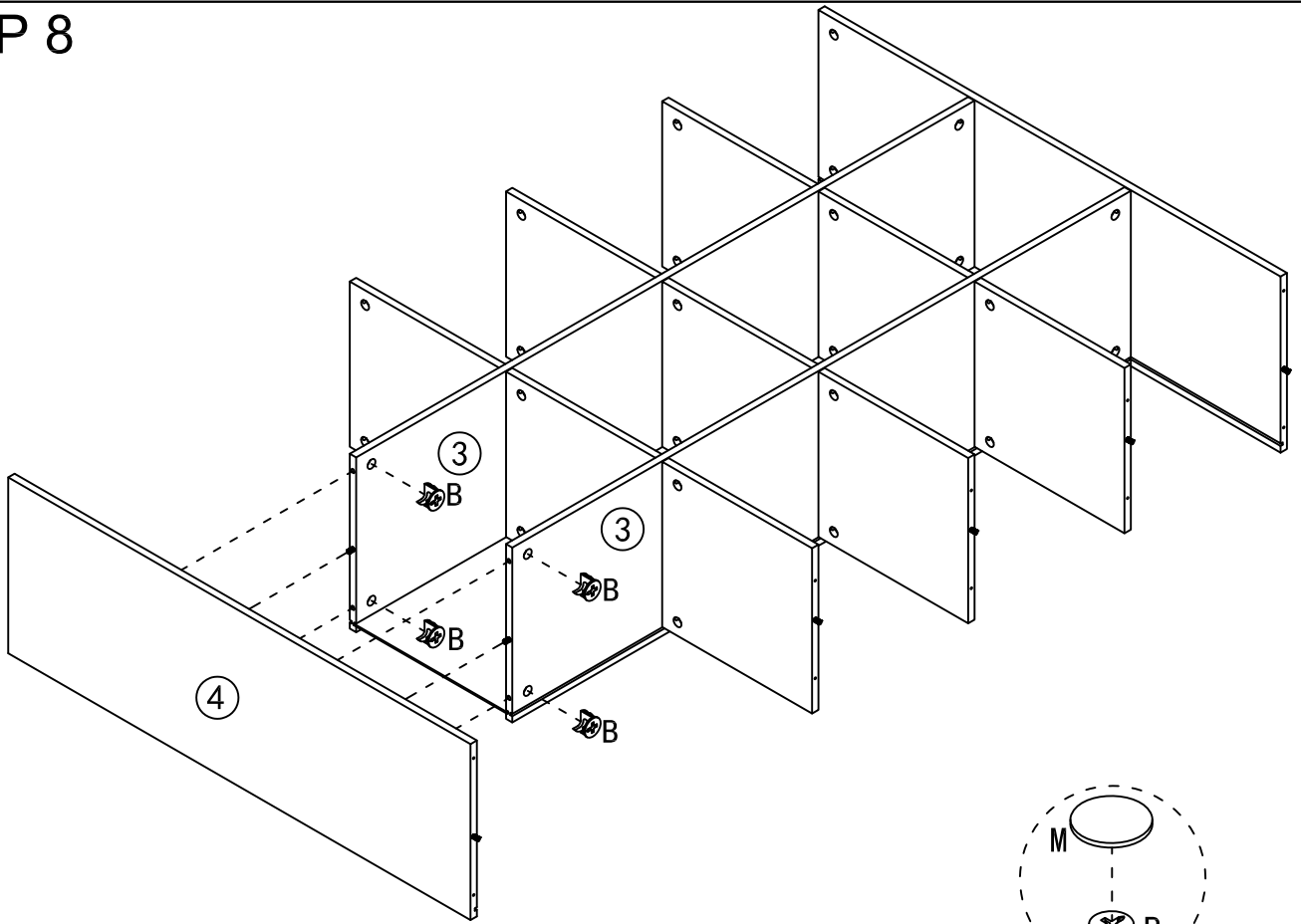




	B*4PCS		M*4PCS
---	--------	---	--------

STEP 7

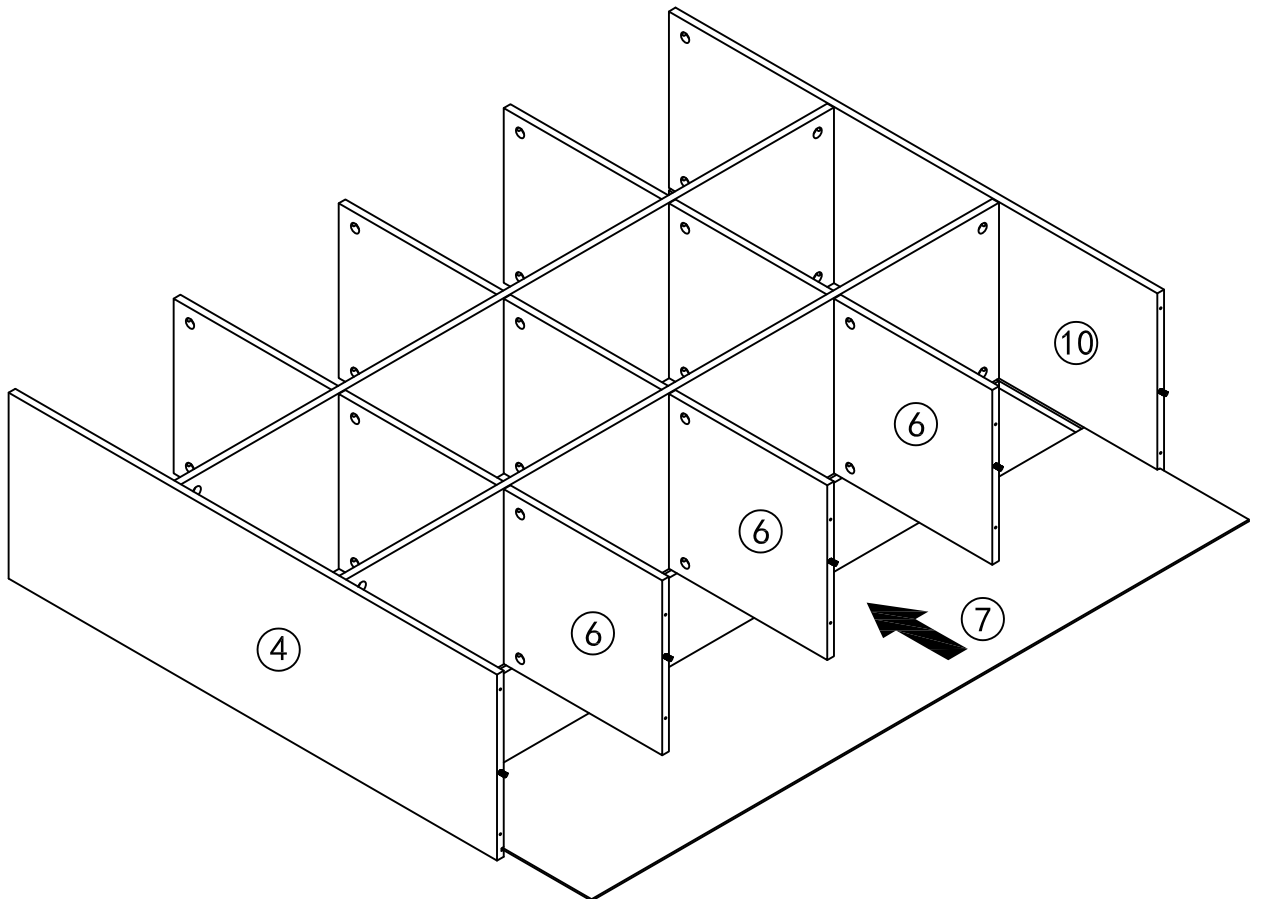


STEP 8

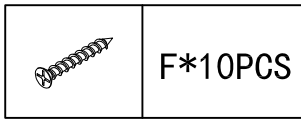
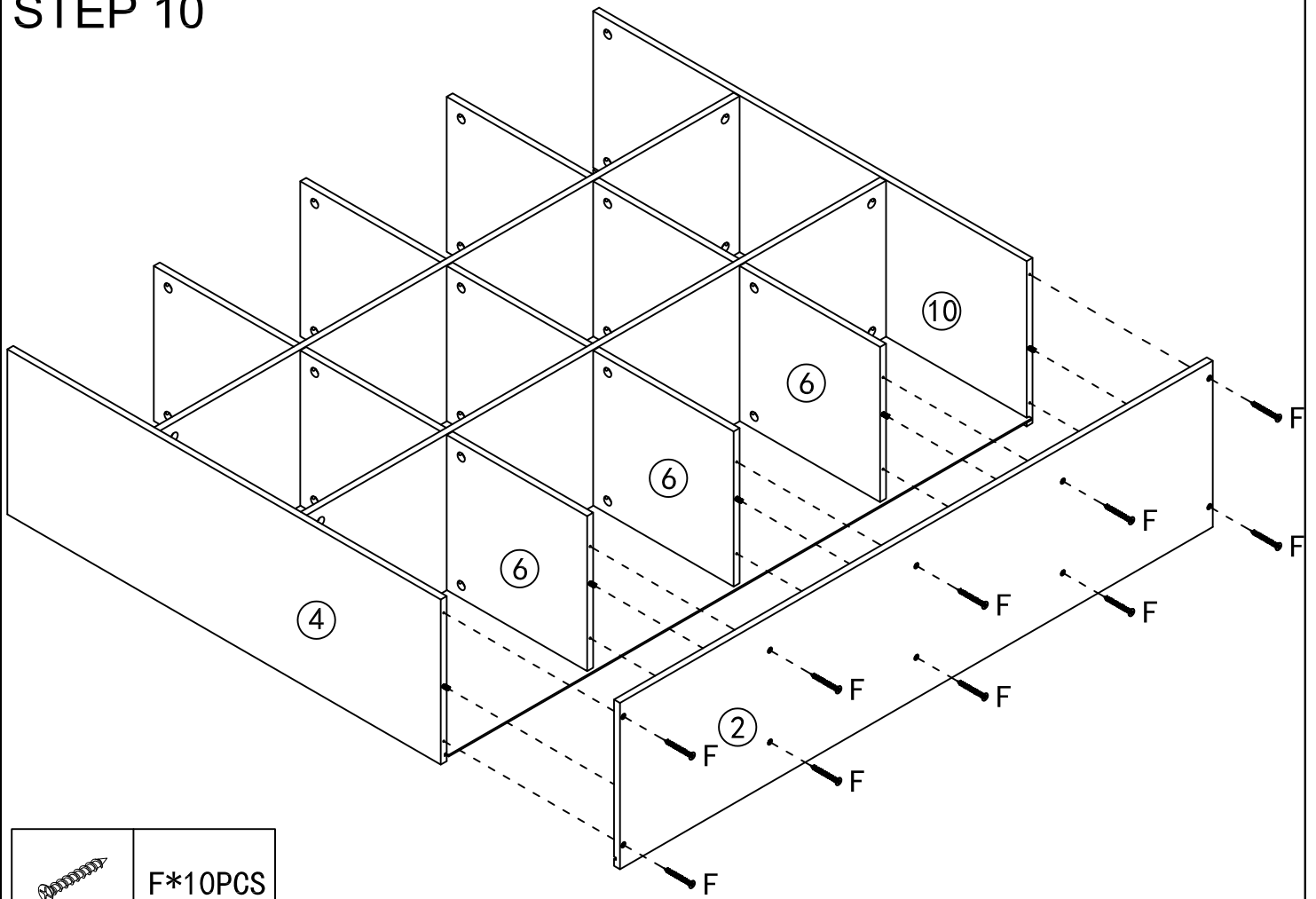


	B*4PCS		M*4PCS
---	--------	---	--------

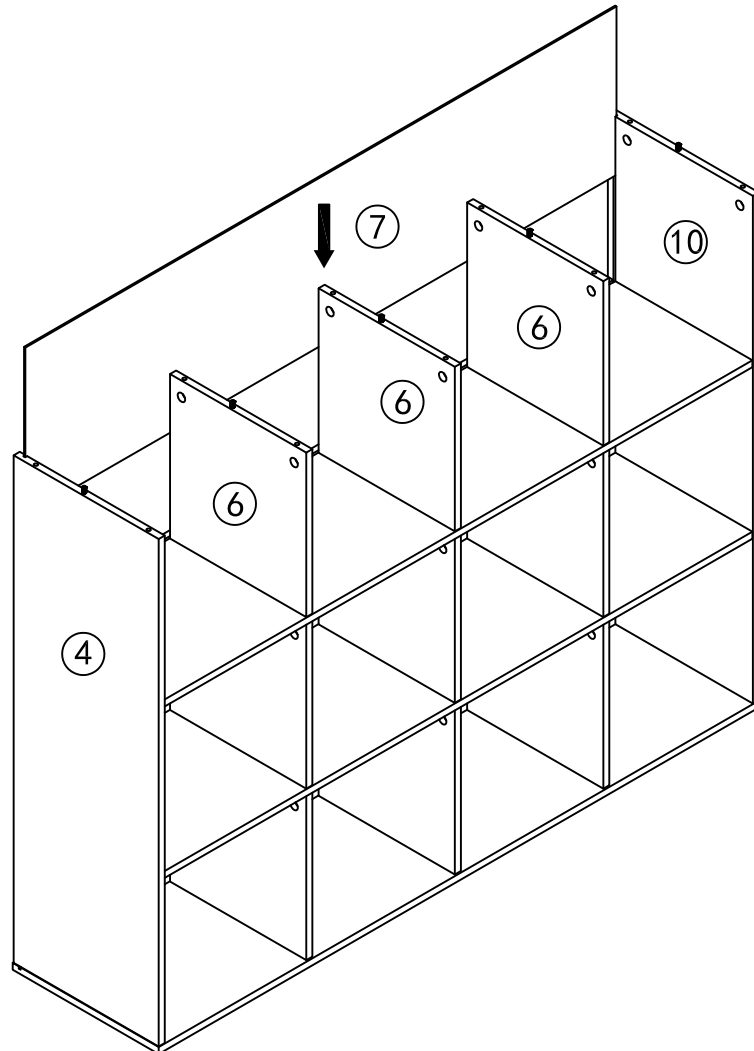
STEP 9



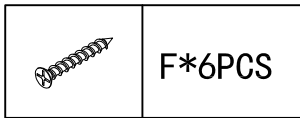
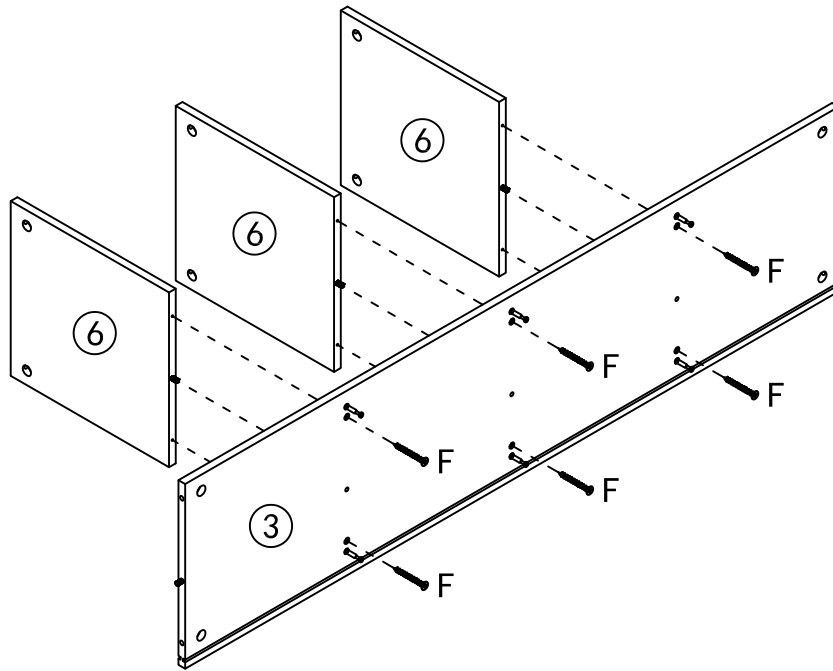
STEP 10



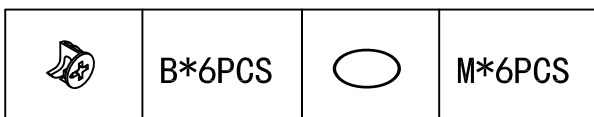
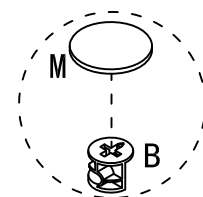
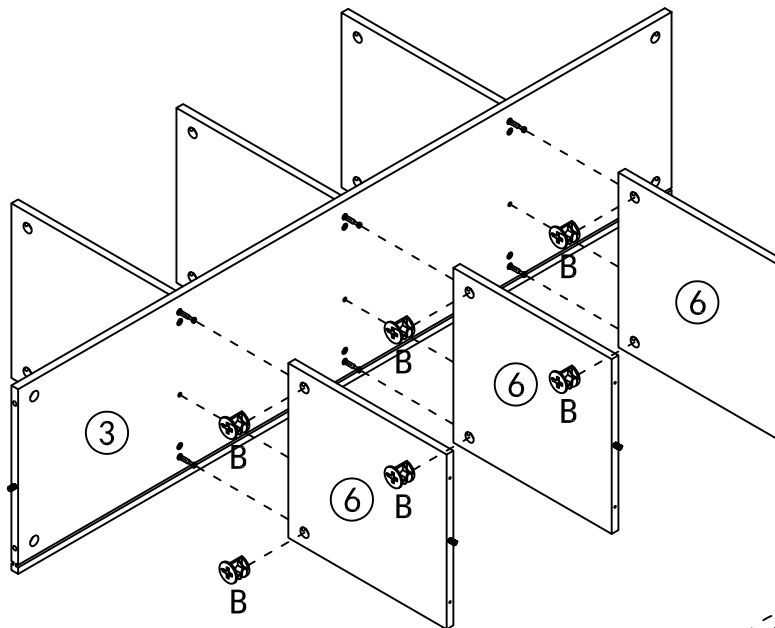
STEP 11



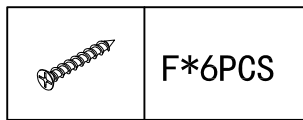
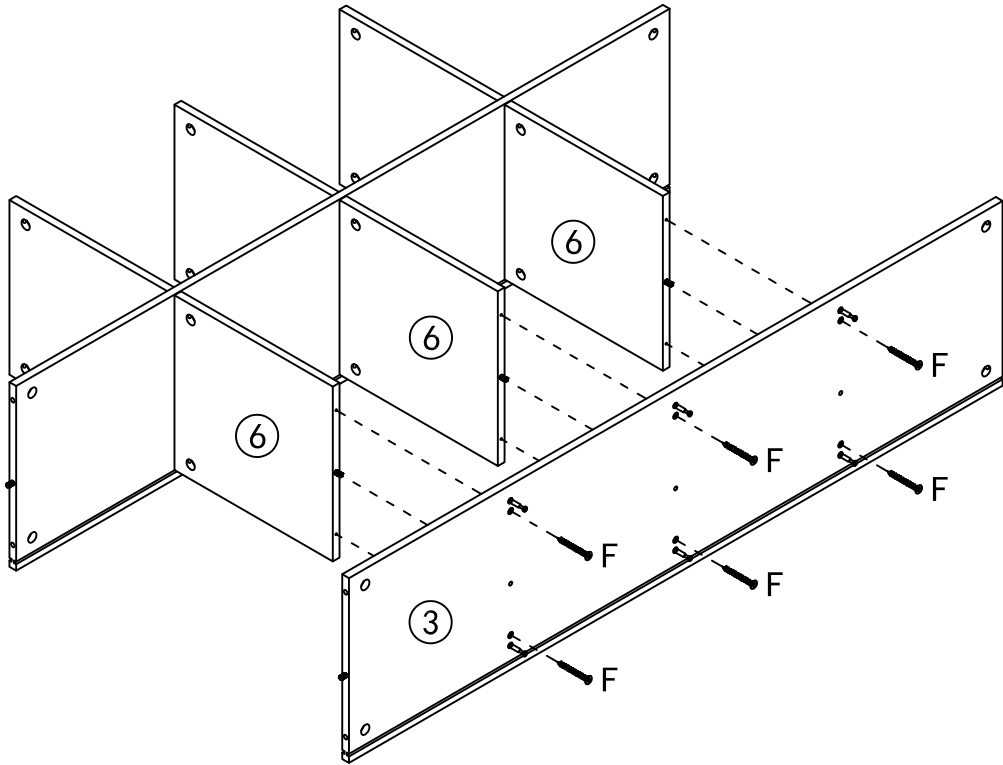
STEP 12



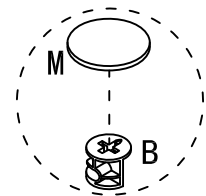
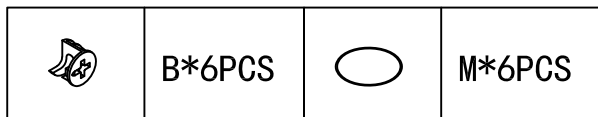
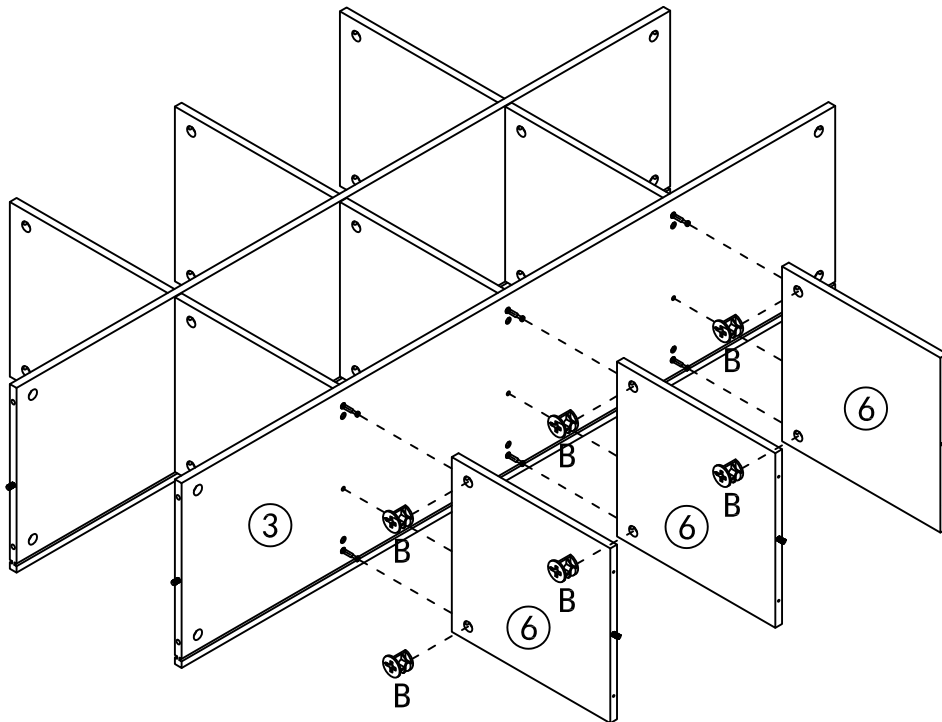
STEP 13



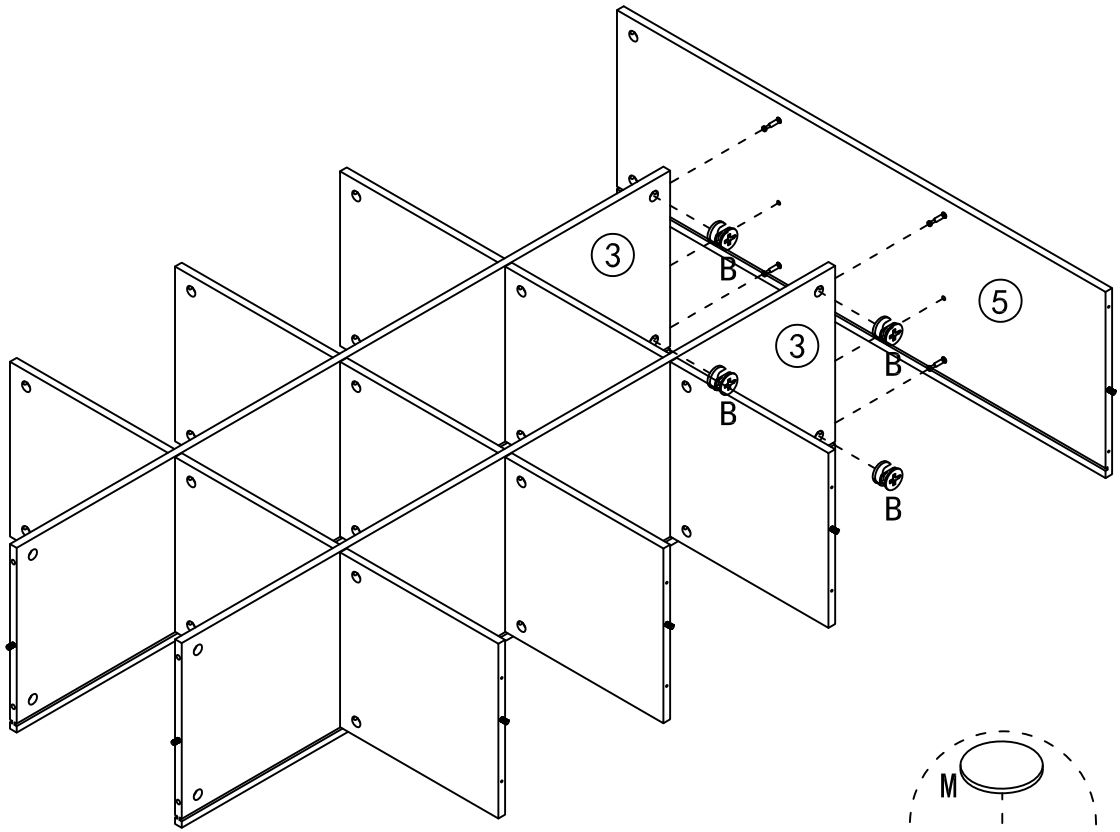
STEP14





STEP 15

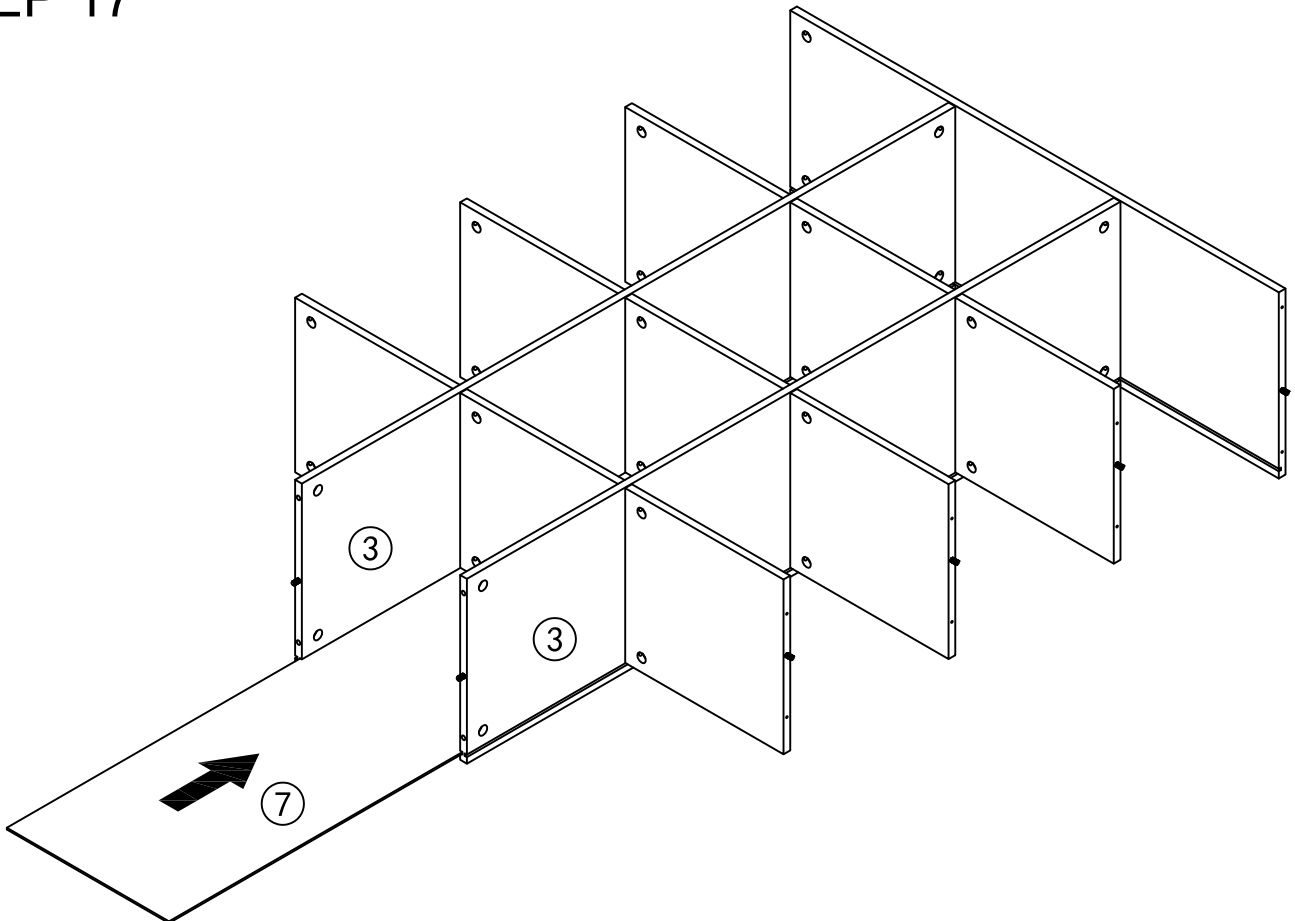


STEP 16

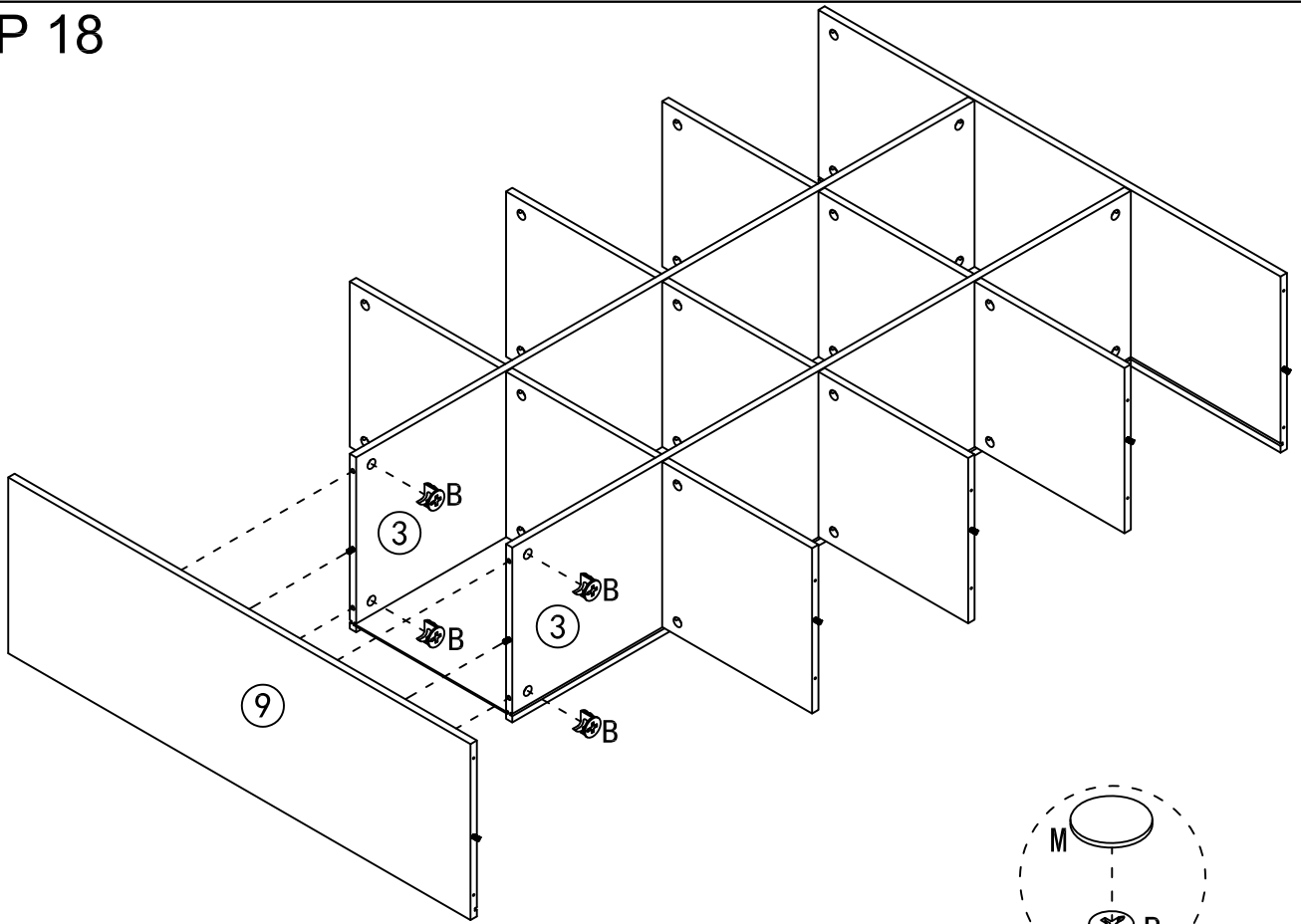




	B*4PCS		M*4PCS
---	--------	---	--------

STEP 17

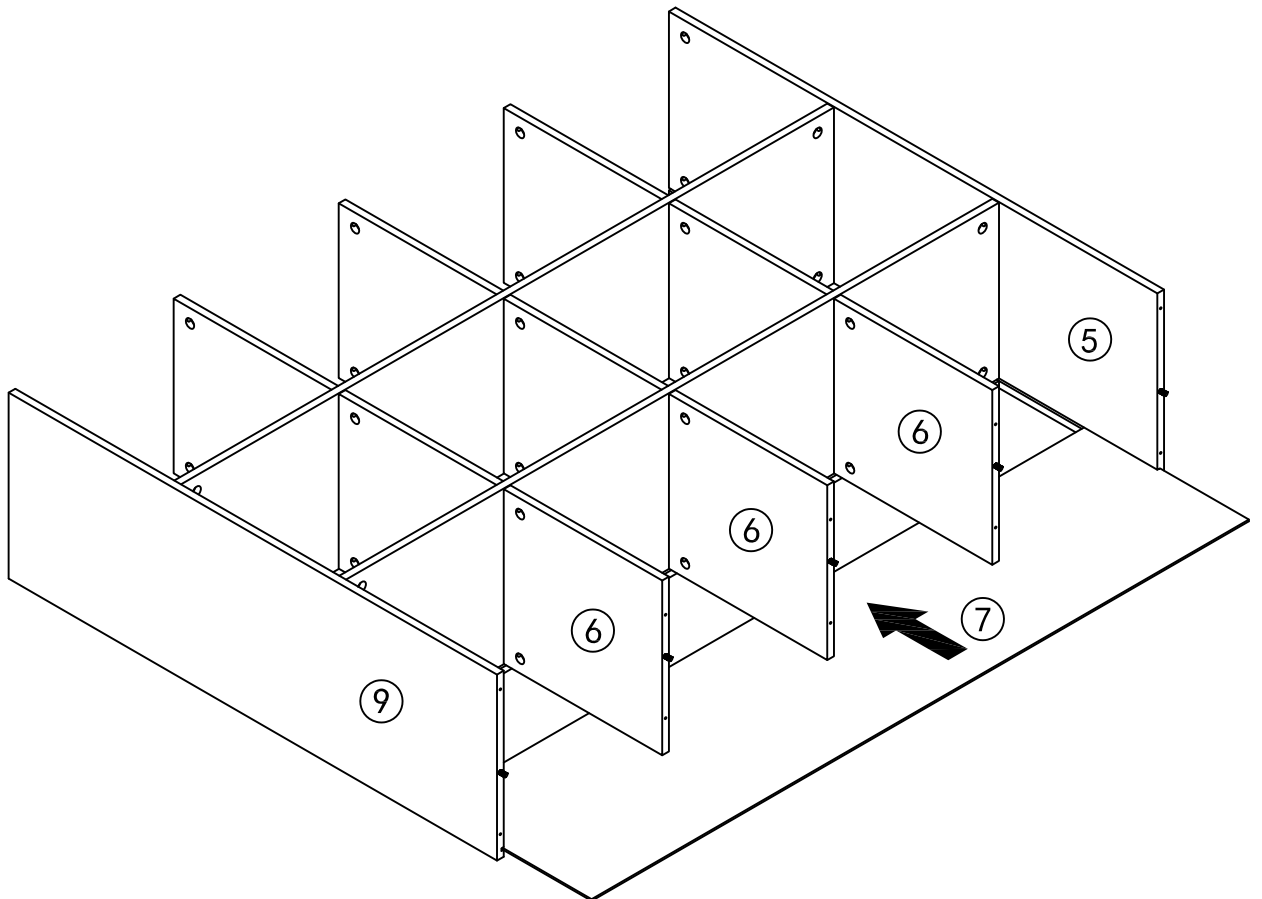


STEP 18

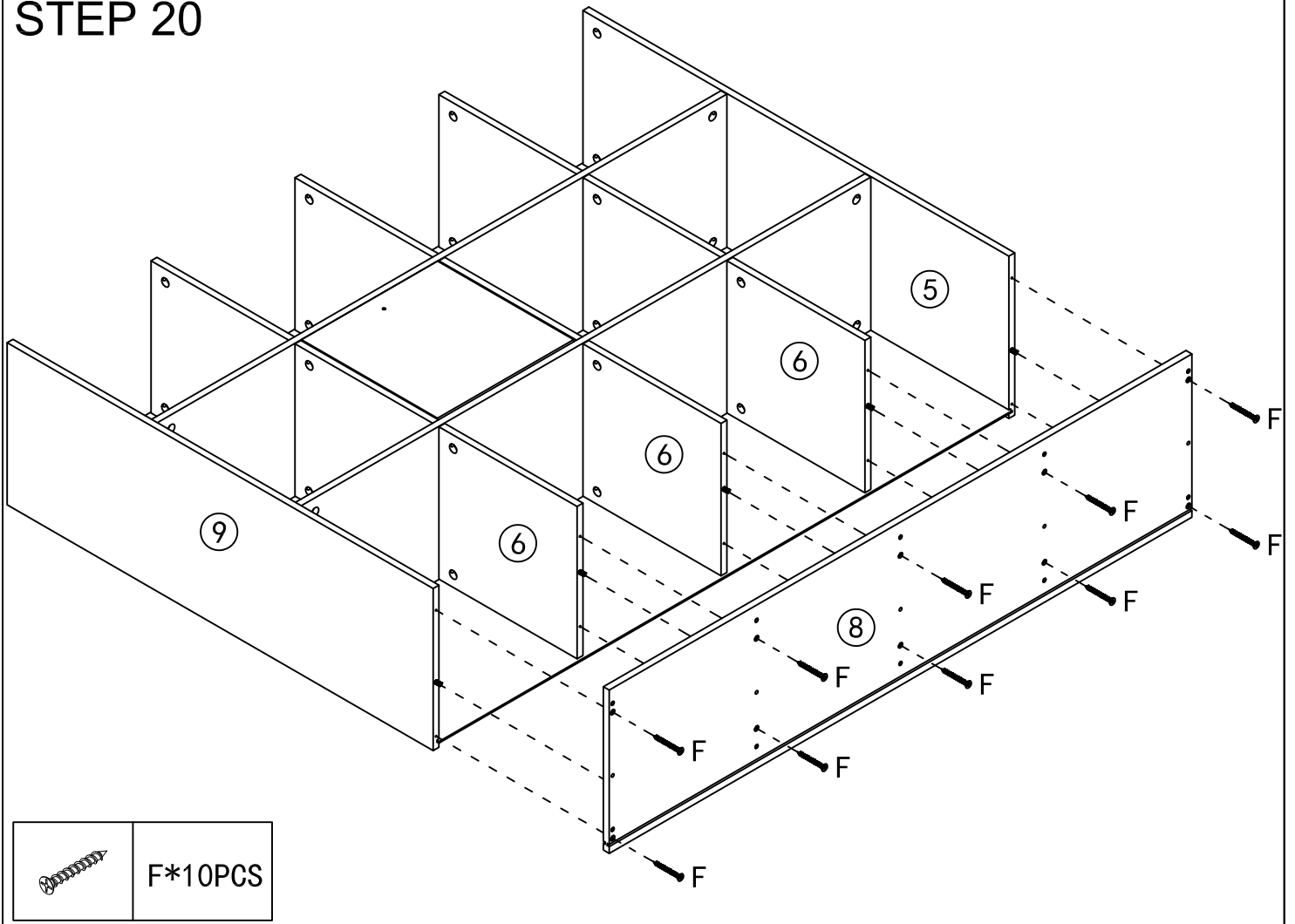


	B*4PCS		M*4PCS
---	--------	---	--------

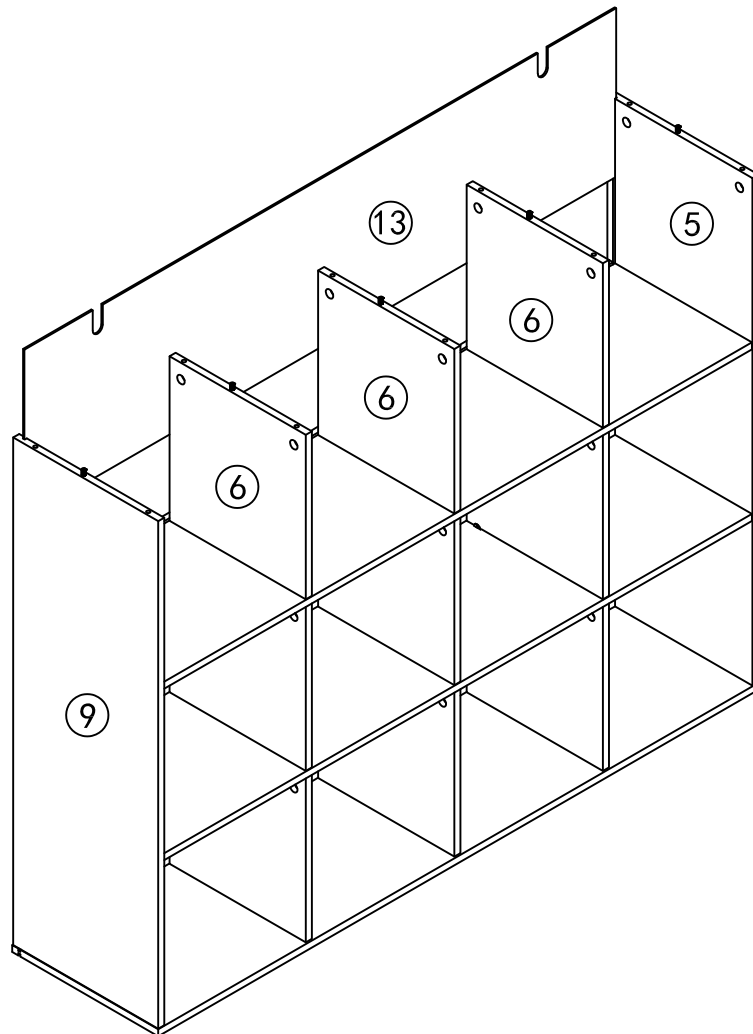
STEP 19



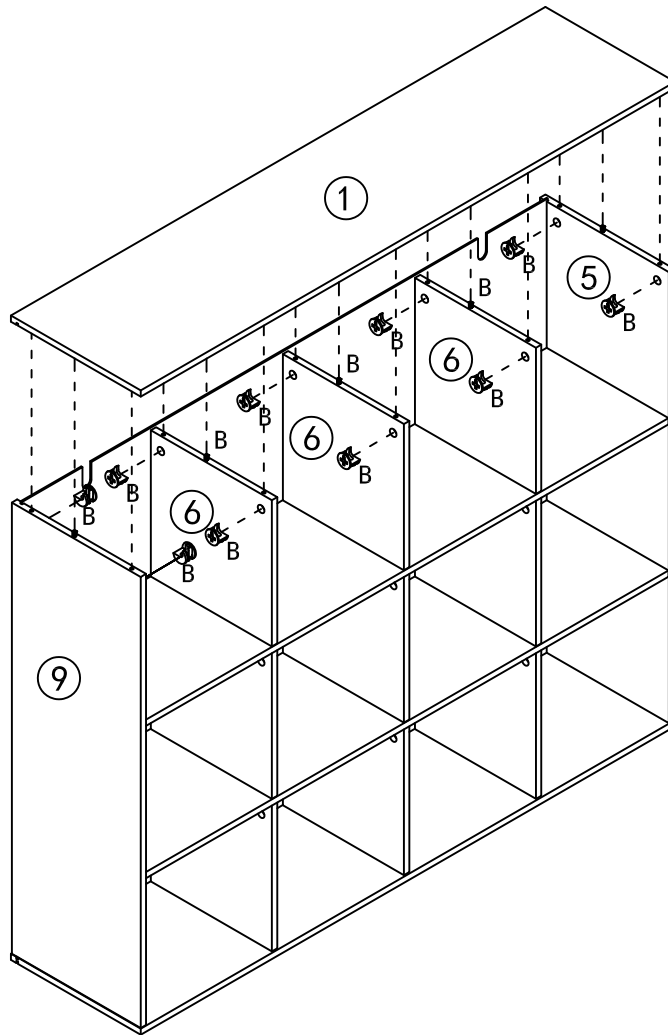
STEP 20





STEP 21

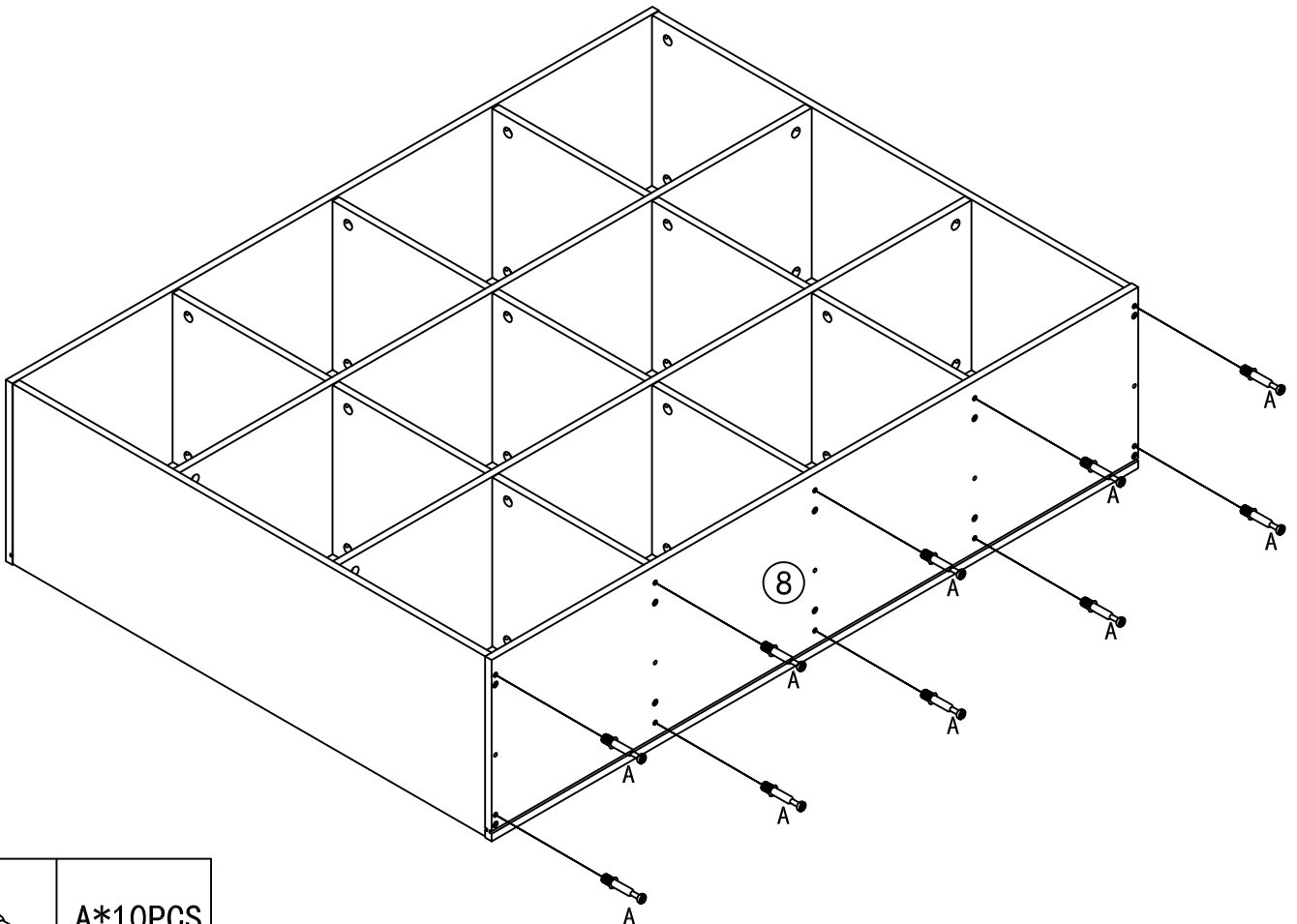



STEP 22



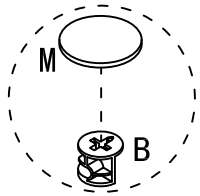
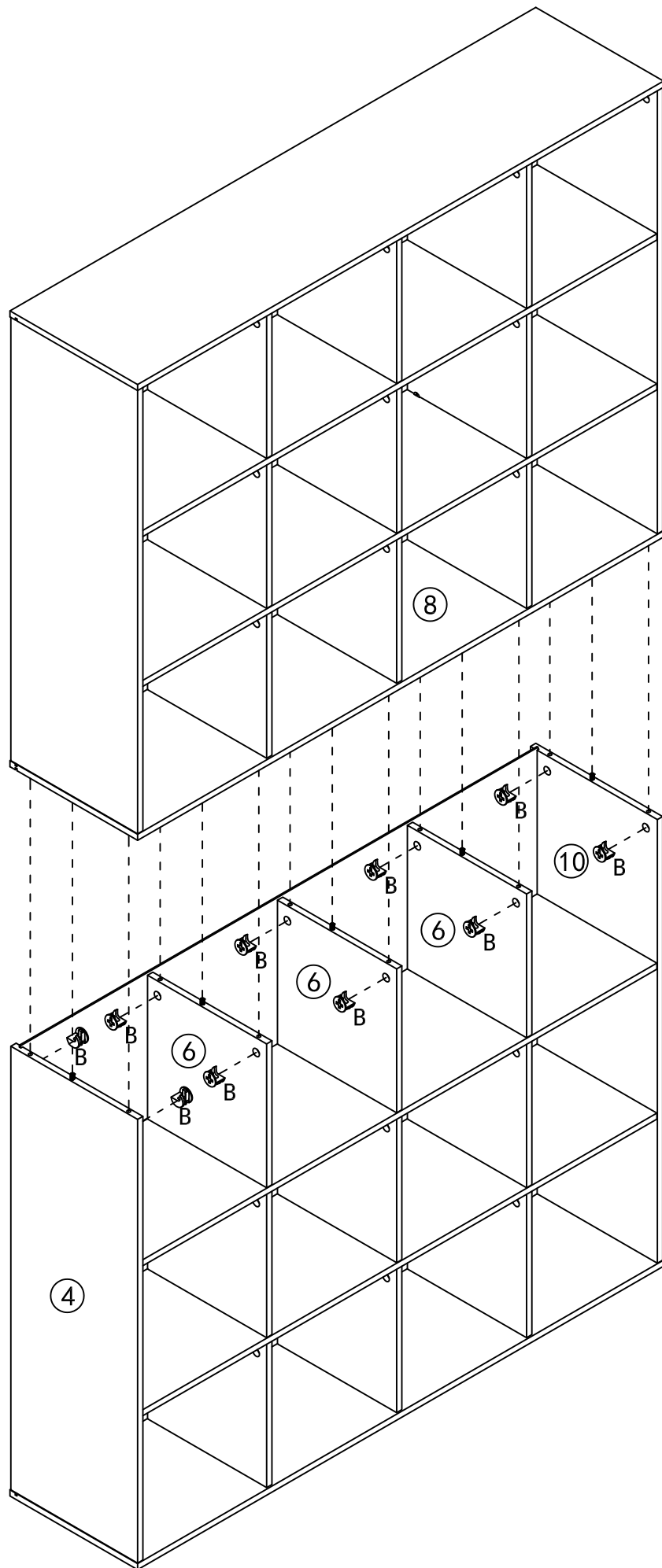
	M*10PCS
	B*10PCS



STEP 23



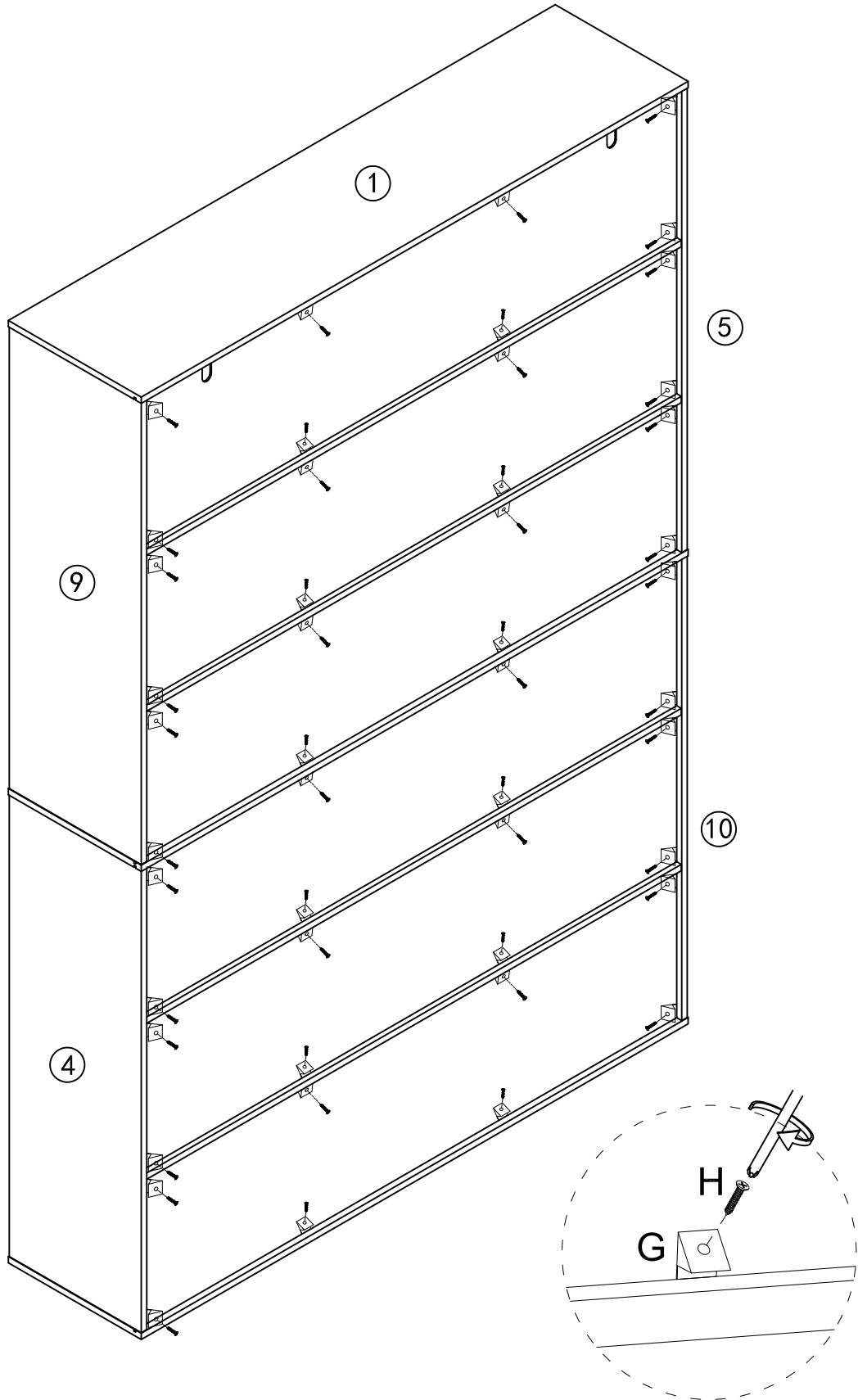
	A*10PCS
--	---------

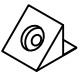

STEP 24



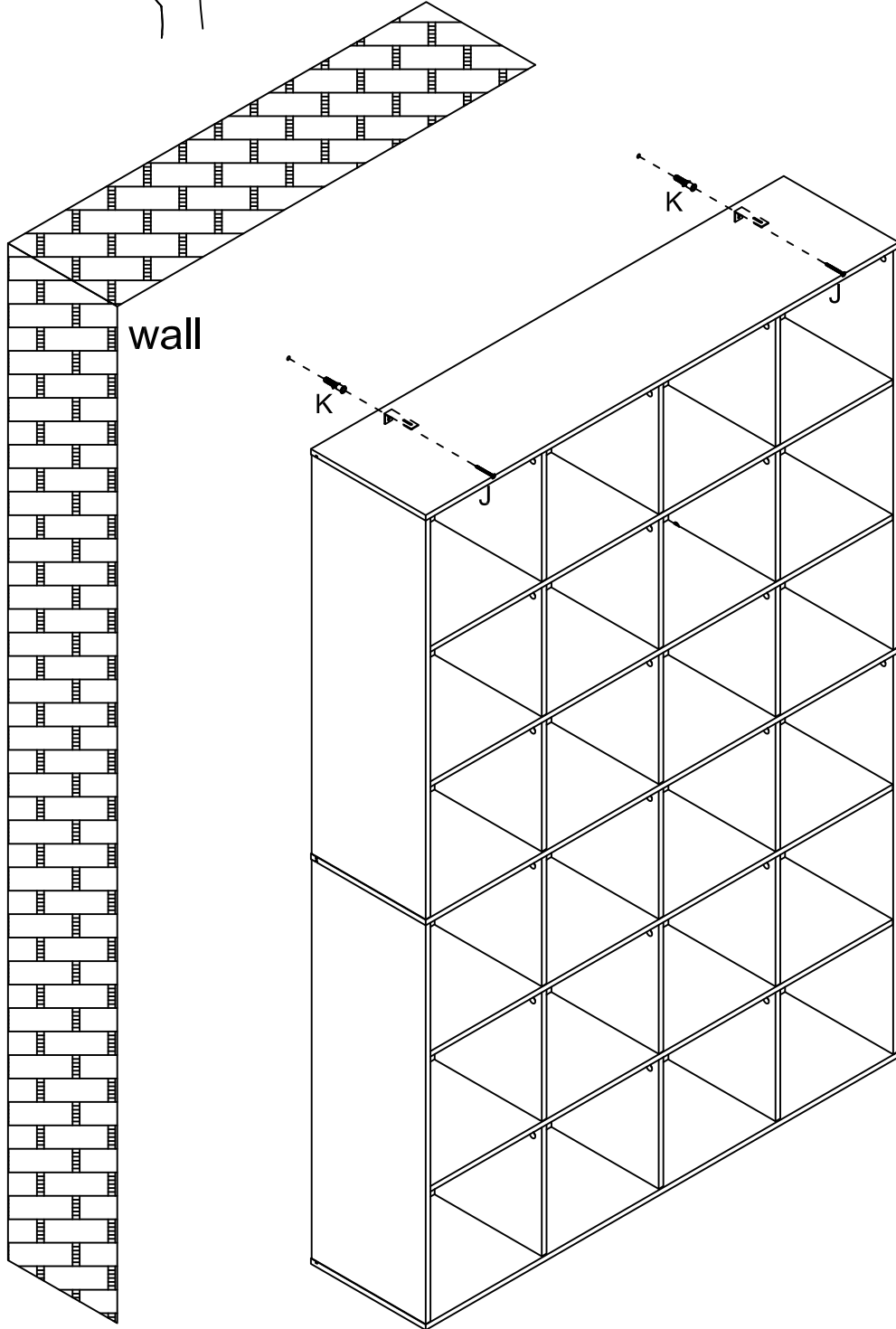
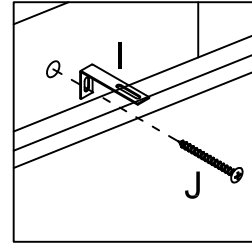
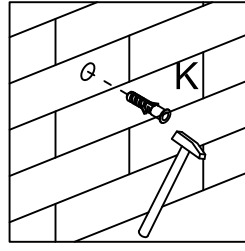
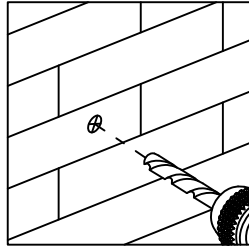
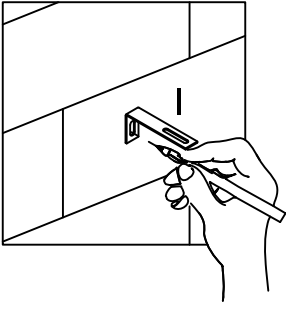
	B*10PCS		M*10PCS
---	---------	---	---------


STEP 25



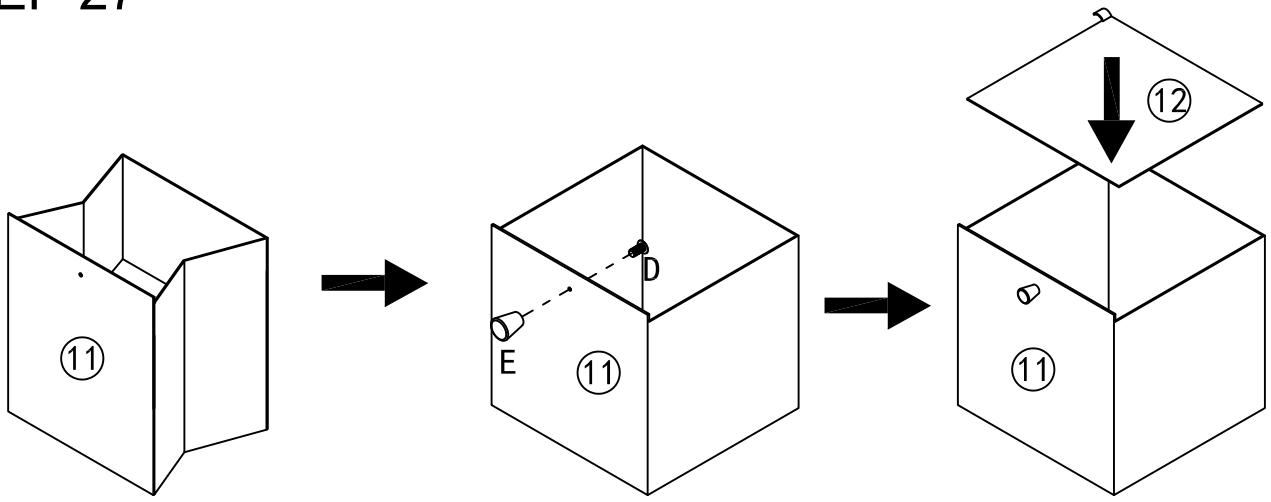
	G*48PCS		H*48PCS
---	---------	---	---------

STEP 26

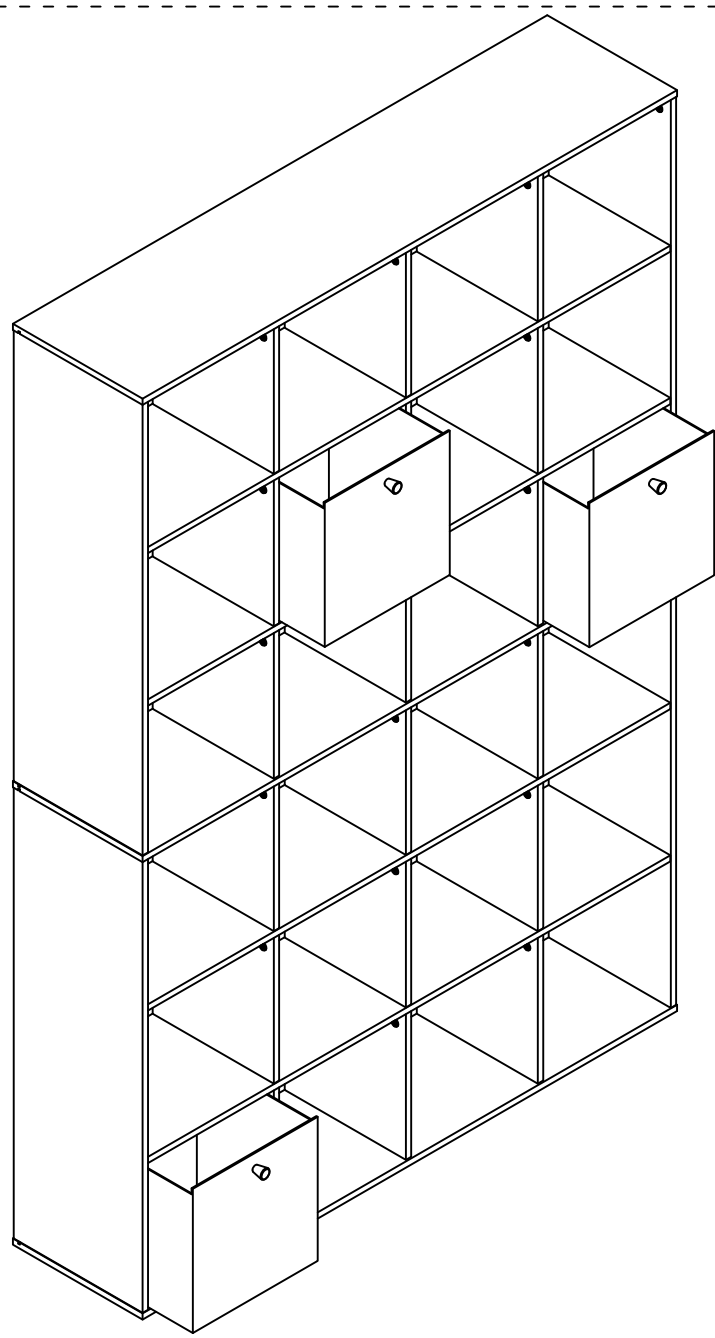




	J*2PCS		K*2PCS
---	--------	---	--------

STEP 27



x3



	D*3PCS		E*3PCS
---	--------	---	--------