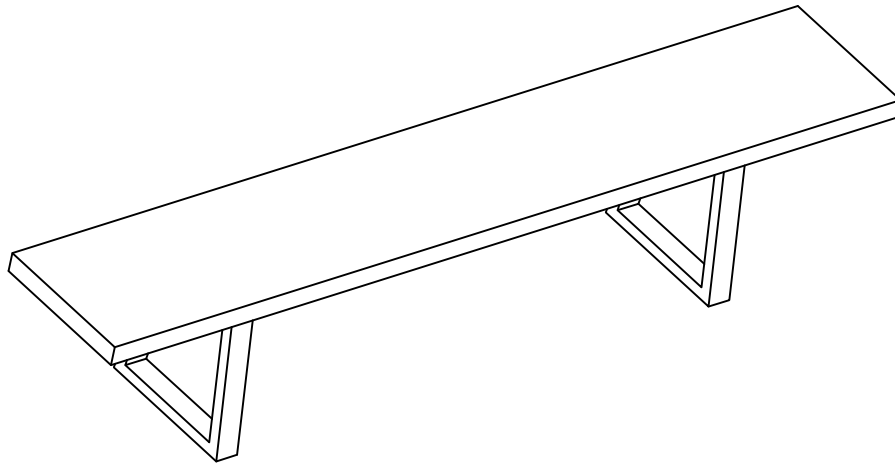


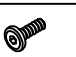



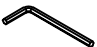


ASSEMBLY INSTRUCTION

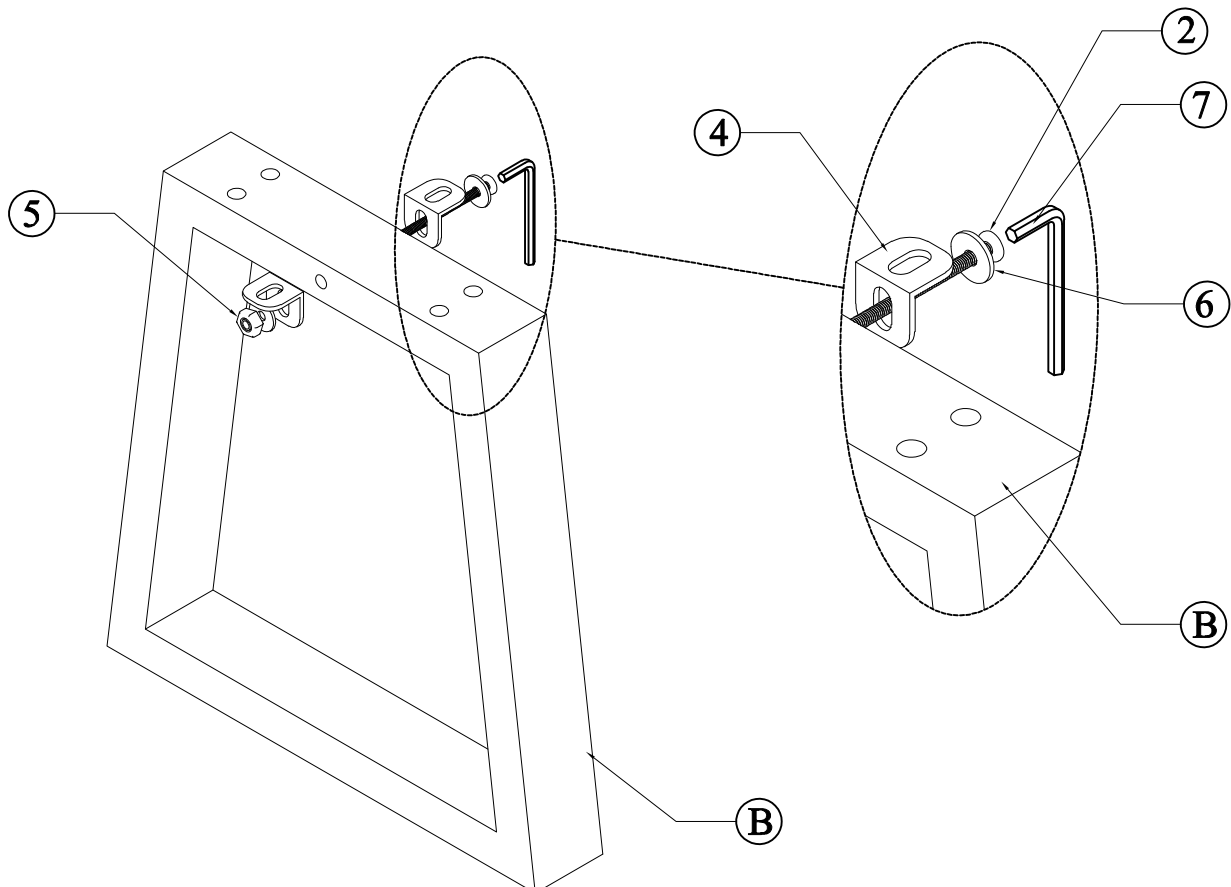
DINING BENCH

Thank you for purchasing this quality product. Be sure to check all packing material carefully for small parts which may have come loose inside the carton during shipment. Identify and count all parts and compare with the parts lists below.



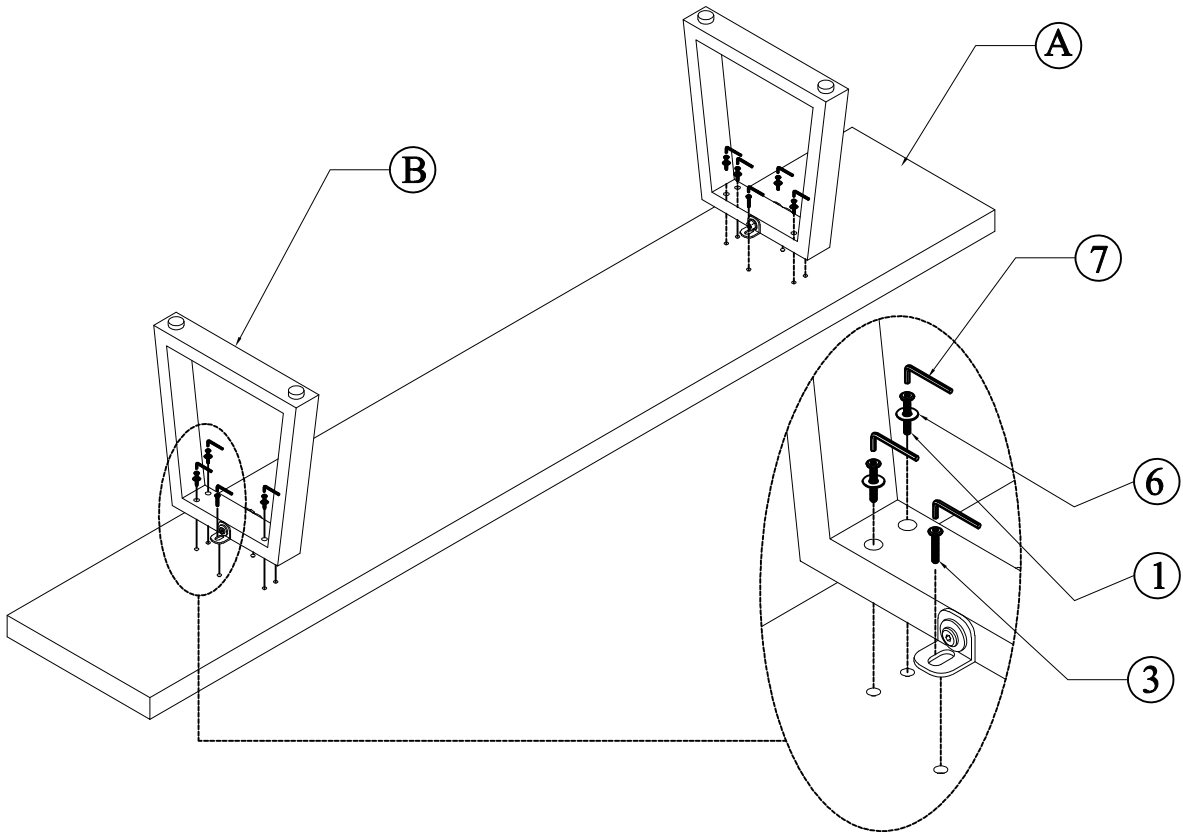
| HARDWARE | | |
|----------|---|-------|
| No | Description | Q'ty |
| 1 | Bolt Ø6*50  | 8 Pcs |
| 2 | Bolt Ø6*70  | 2Pcs |
| 3 | Bolt Ø6*20  | 4Pcs |
| 4 | L-Shape Connector  | 4 Pcs |
| 5 | Hexagon M6  | 2 Pcs |
| 6 | Washer  | 10Pcs |
| 7 | Allen Key  | 1Pc |

1

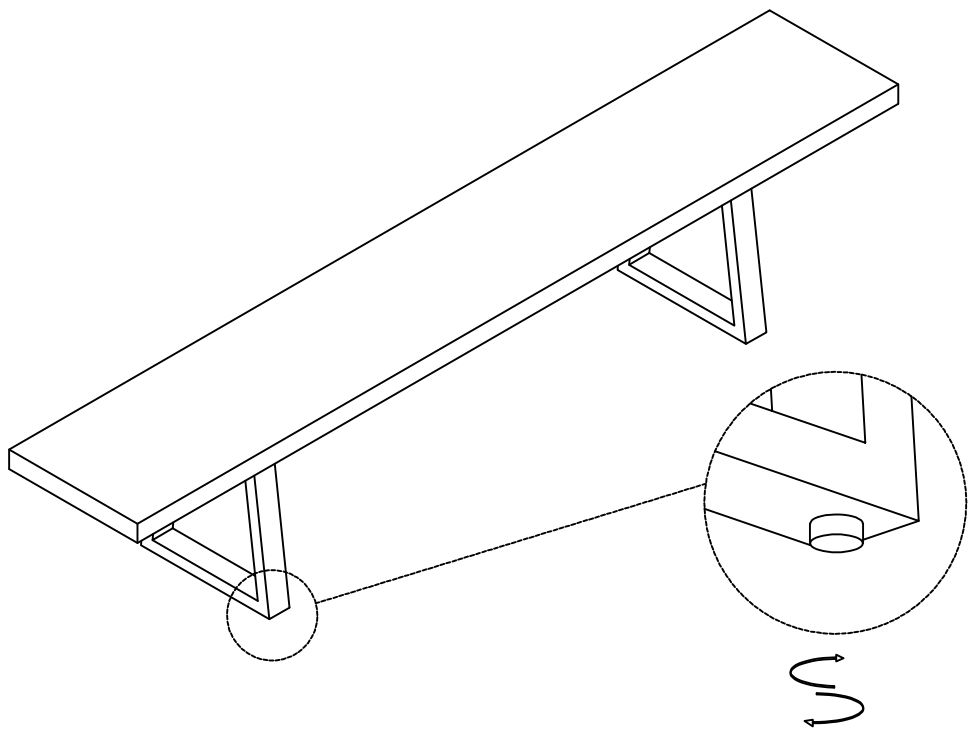


Please note: Do not fully tighten the bolts yet.

2



After checking all bolts and make sure they are even, please tighten the bolts fully.



Adjust leveler for balance