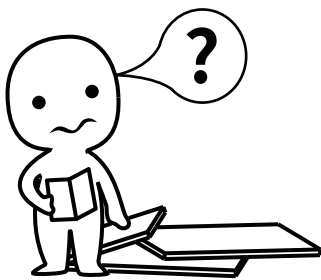


INSTALLATION

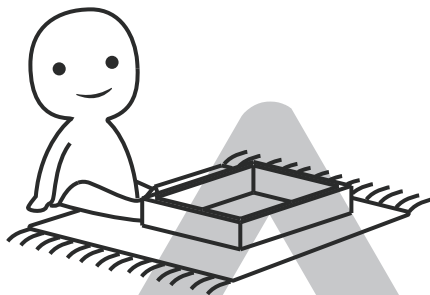
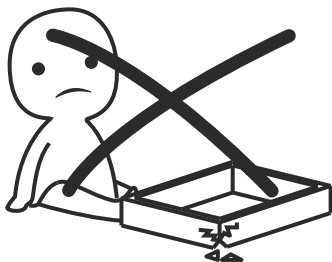
Product Manual

Version: 020454US-01-24A-AZ



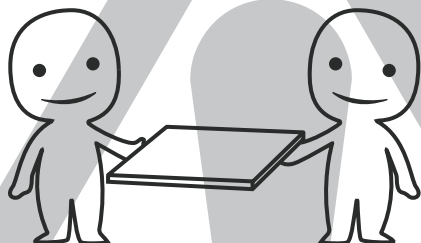
IMPORTANT INFORMATION!

please read the entire manual before starting to assemble and/or using this product. follow the manual thoroughly and keep it for further reference.



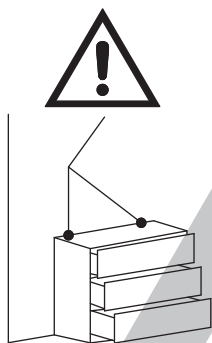
AVOID SCRATCHES!

In order to avoid scratching this furniture should be assembled on a soft layer- could be a rug.



IMPROVE EFFICIENCY !

Try to find a partner to install with you, which can speed up the installation efficiency and shorten the time.



ANTI-TOPPLE WARNING !

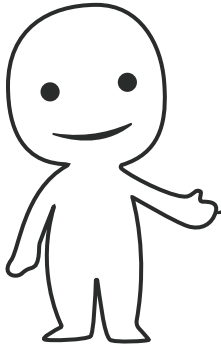
Overturnd furniture can cause serious or fatal crush injuries. To prevent tipping over, be sure to use the wall attachment, if not included with this product. Please purchase the wall attachment that fit your wall. If unsure, seek professional advice. Please read and follow each step of the instructions carefully.

IMPORTANT !

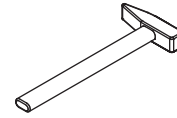
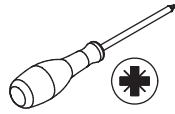
It is important that any product which is assembled using any kind of screw is re-tightened 2 weeks after assembly, and once every 3 months - in order to assure stability through-out the lifespan of the product.

For regular maintenance and cleaning of the product, for the frame, please use a rag dipped in neutral detergent to fully wipe it, and then dry it with a clean rag. For glass materials, wipe with a rag dampened with water glass cleaner, and then dry with a dry rag.

Do not use an electric screwdriver, and do not use too much force when installing, because the board is easy to break.

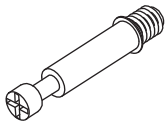


Please prepare the following tools



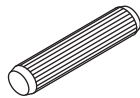
When installing, please carefully confirm whether each screw corresponds to the manual, accessories with similar shapes can be distinguished by size

A x 90 +4



Ø6 x 35 mm

B x 68 +4



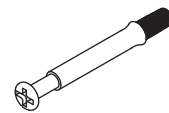
Ø7 x 30 mm

C x 102 +4



Ø15 x 10 mm

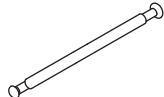
D x 6



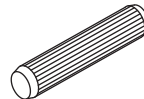
E x 6



F x 6



G x 9



Ø10 x 50 mm

H x 128 +4

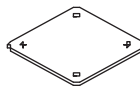


Ø4 x 14 mm

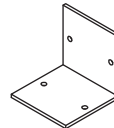
J x 16



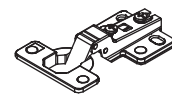
K x 5



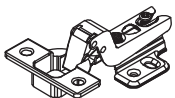
L x 3

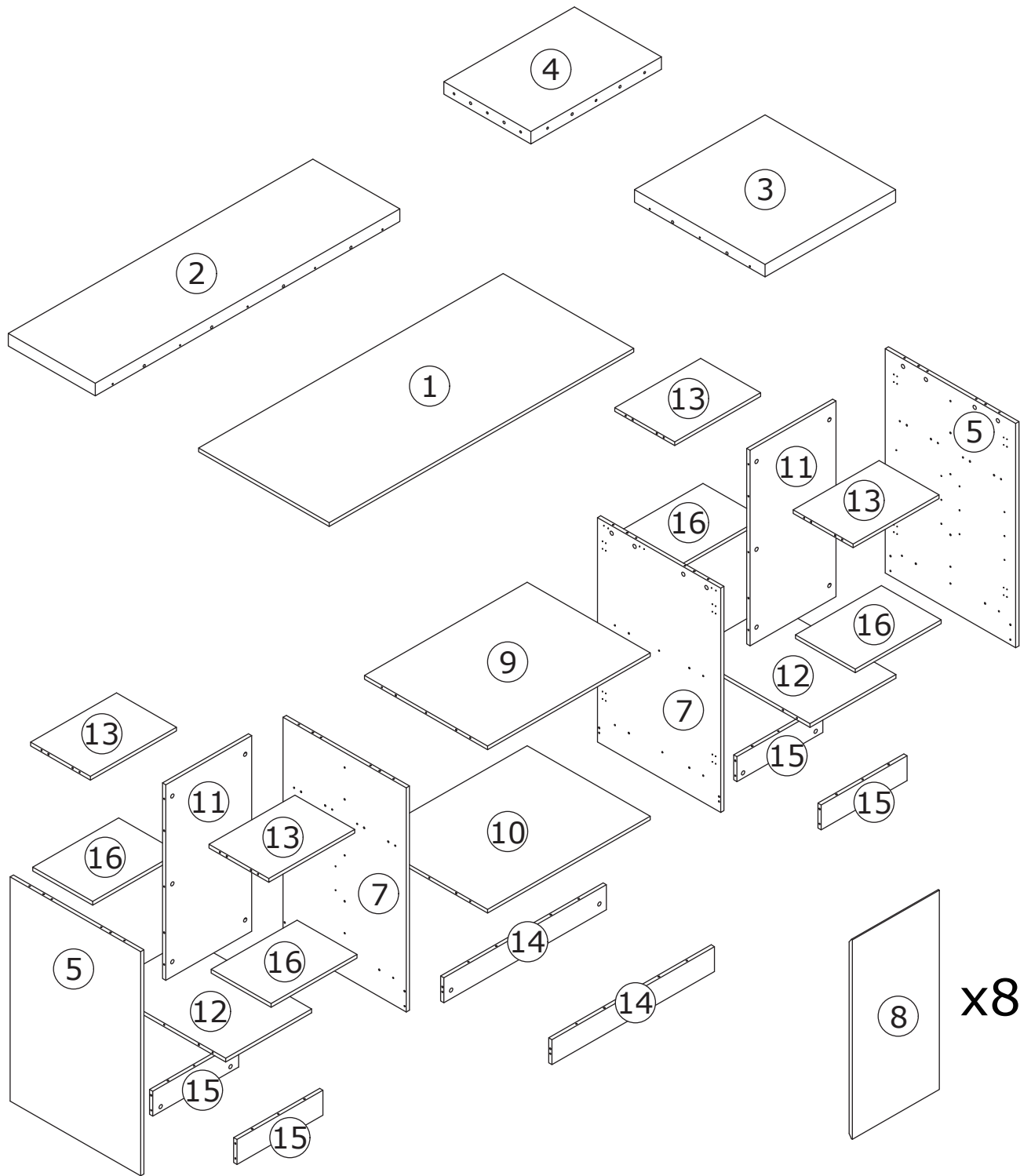


M x 8



N x 8





⚠ WARNING

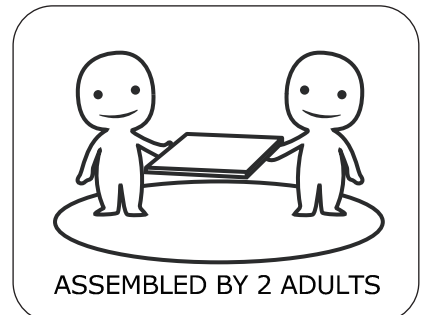


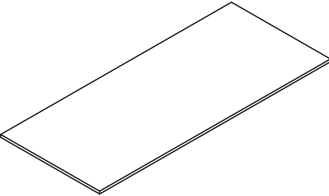
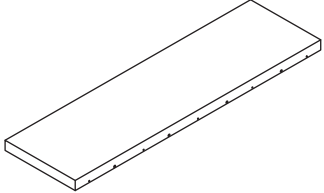
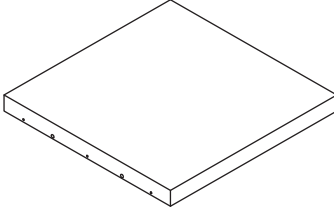
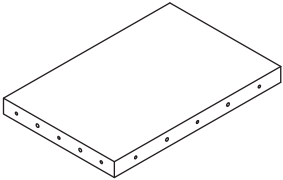
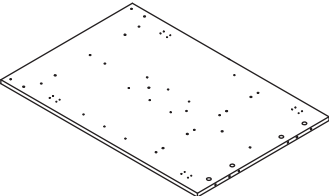
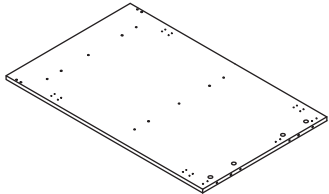
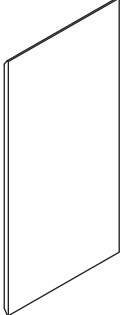
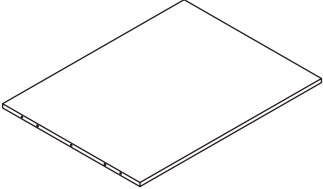
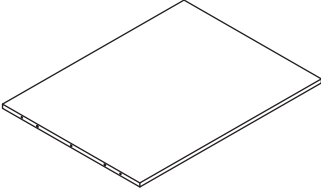
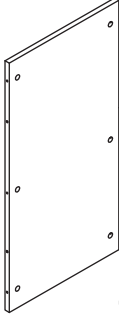
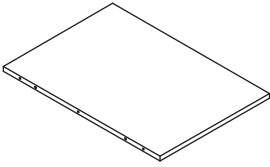
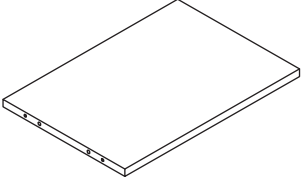
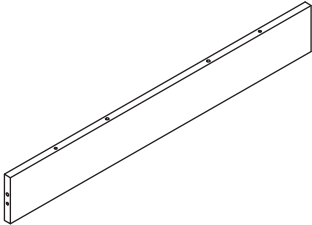
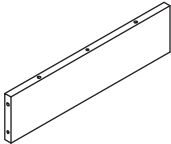
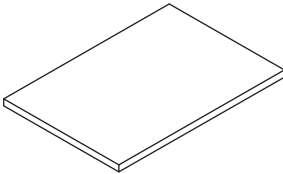
Children have died from furniture tipover. To reduce the risk of furniture tipover:

- ALWAYS install Anti-tip device provided.
- NEVER put a TV on this product.
- NEVER allow children to stand, climb or hang on drawers, doors, or shelves.
- NEVER open more than one drawer at a time.
- Place heaviest items in the lowest drawers.

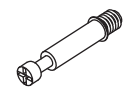
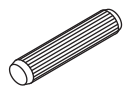



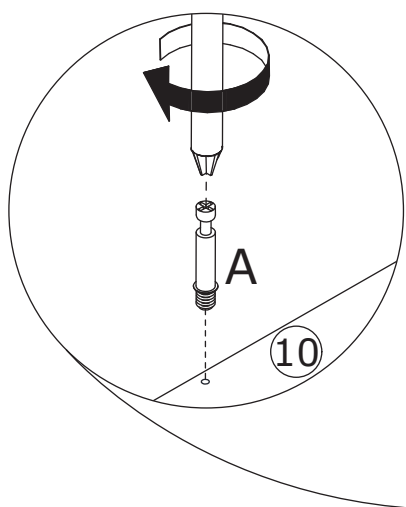
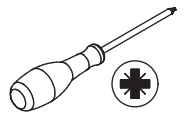
*This is a permanent label.
Do not remove!*



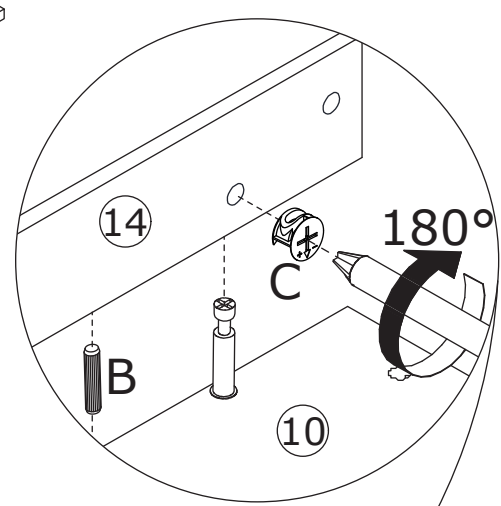
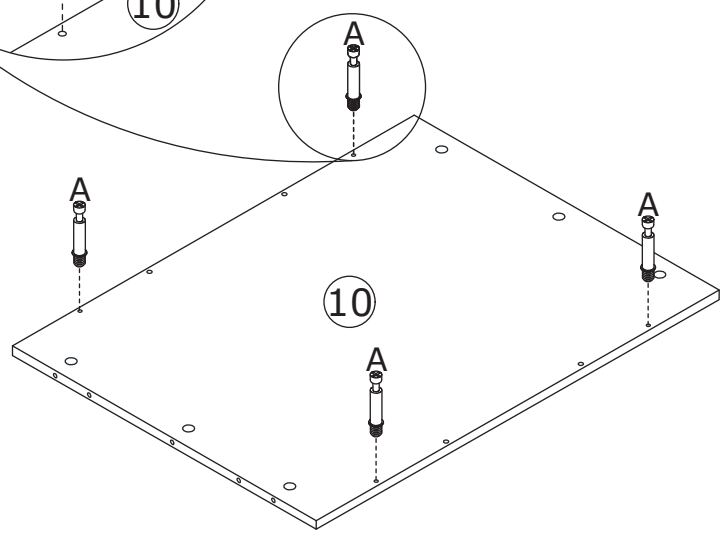
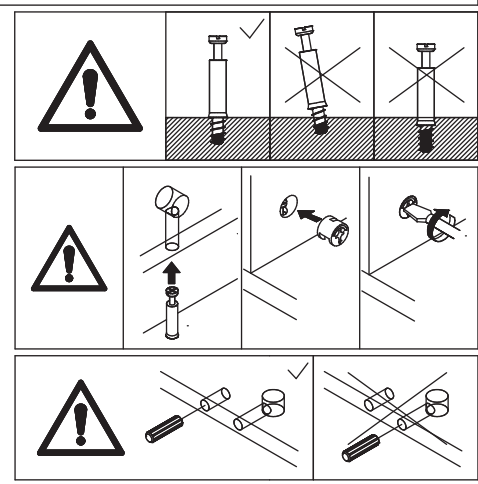
<p>①</p>  <p>1PC</p>	<p>②</p>  <p>1PC</p>	<p>③</p>  <p>1PC</p>	<p>④</p>  <p>1PC</p>
<p>⑤</p>  <p>2PCS</p>	<p>⑦</p>  <p>2PCS</p>	<p>⑧</p>  <p>8PCS</p>	<p>⑨</p>  <p>1PC</p>
<p>⑩</p>  <p>1PC</p>	<p>⑪</p>  <p>2PCS</p>	<p>⑫</p>  <p>2PCS</p>	<p>⑬</p>  <p>4PCS</p>
<p>⑭</p>  <p>2PCS</p>	<p>⑮</p>  <p>4PCS</p>	<p>⑯</p>  <p>4PCS</p>	

3

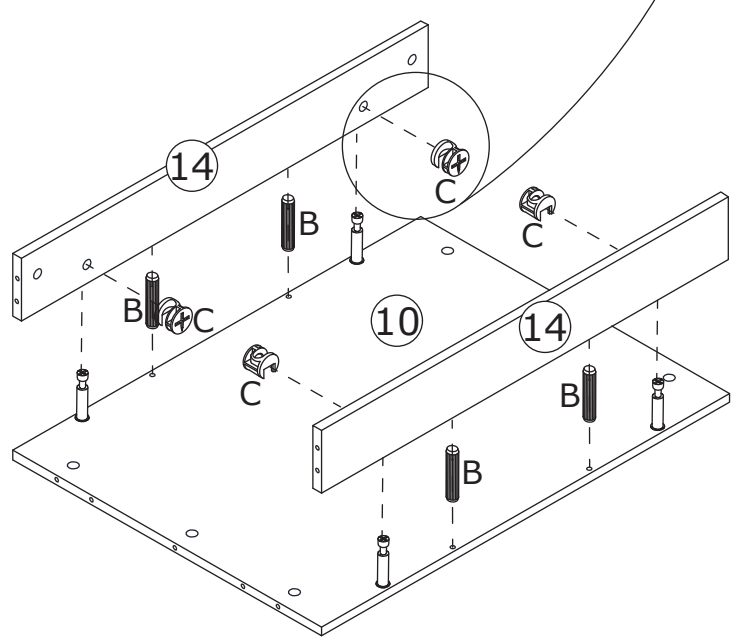
A x 4  Ø6 x 35 mm	B x 4  Ø7 x 30 mm	C x 4  Ø15 x 10 mm
--	--	---



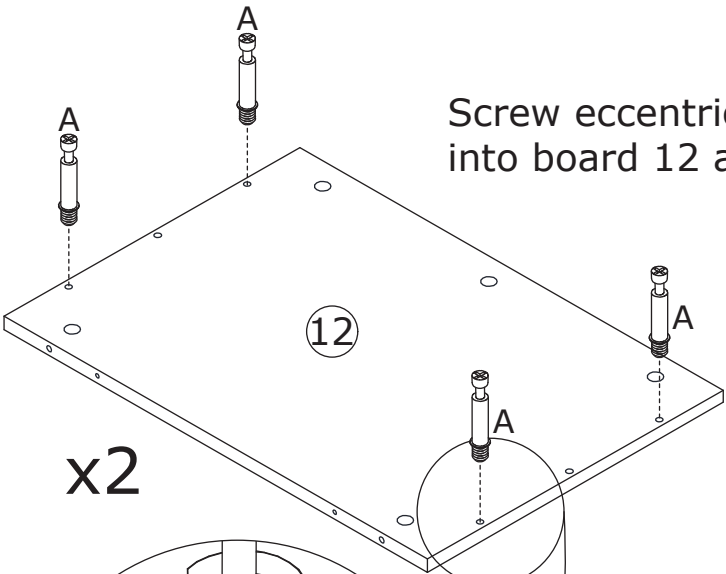
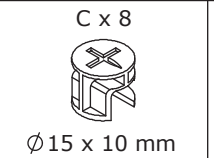
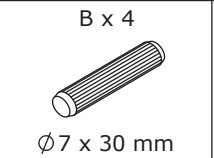
Screw eccentric rod(A)
into board 10 at first.



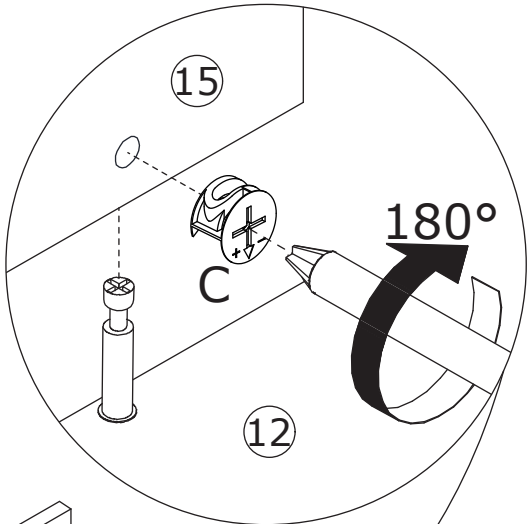
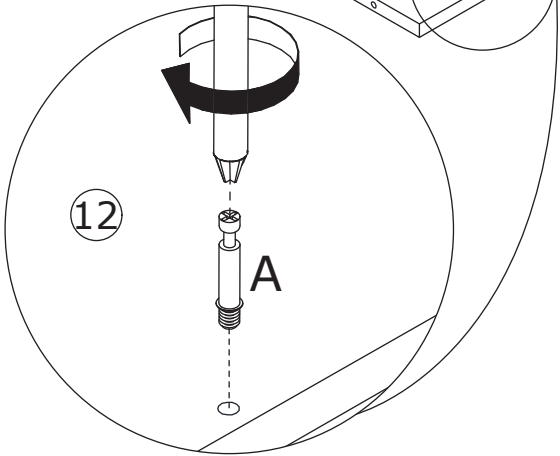
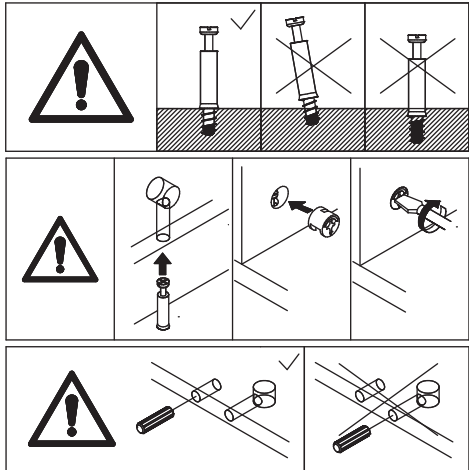
Attach board 14 to board 10
using wooden dowel(B), add
cam lock(C) into board 14
and turn clockwise to tighten
as shown.



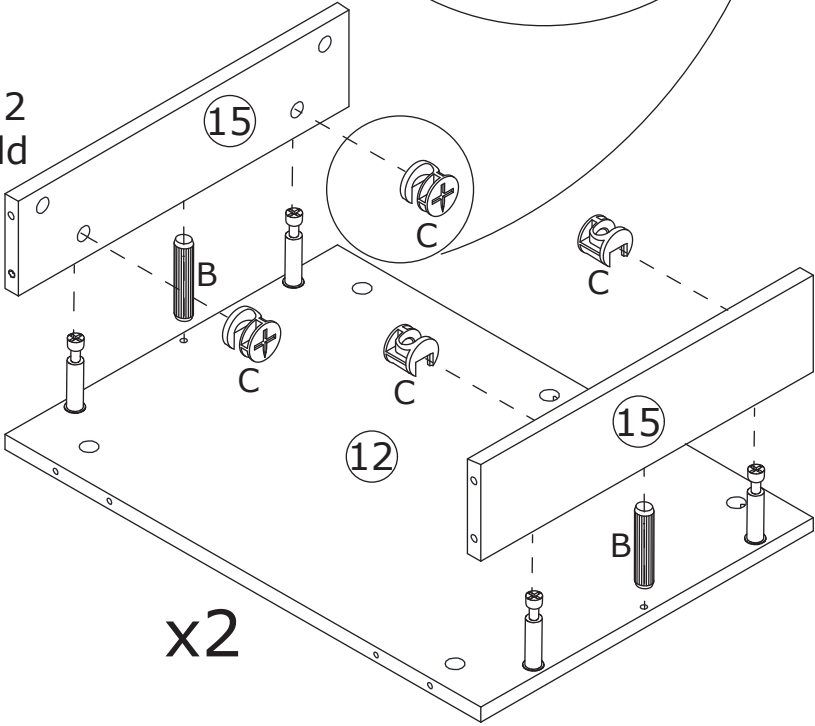
4



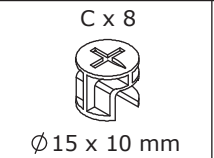
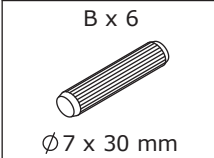
Screw eccentric rod(A) into board 12 at first.



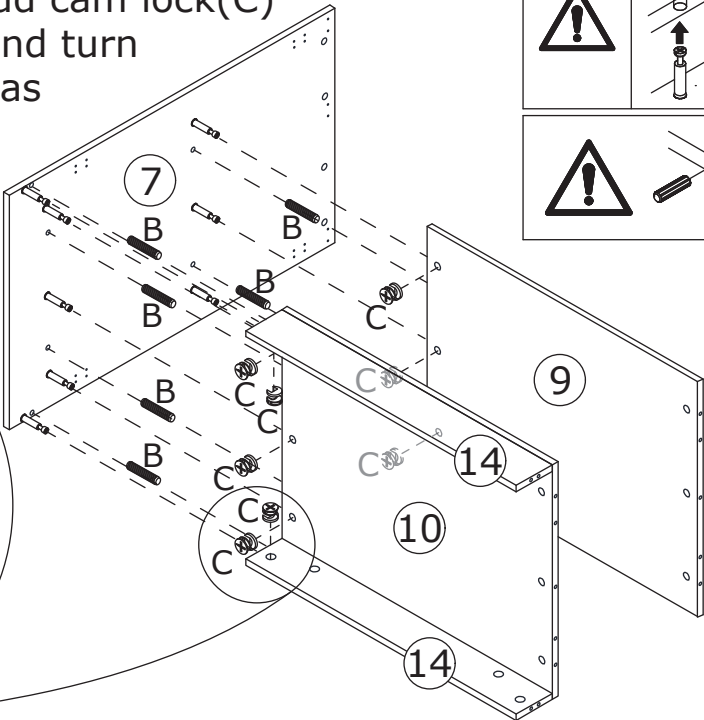
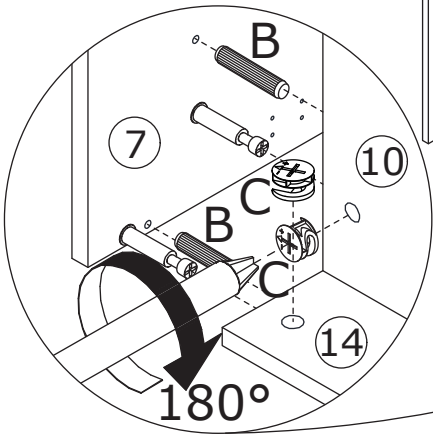
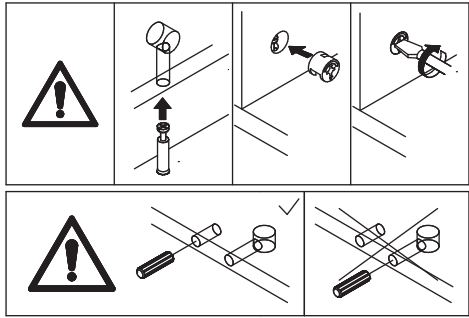
Attach board 15 to board 12 using wooden dowel(B), add cam lock(C) into board 15 and turn clockwise to tighten as shown.



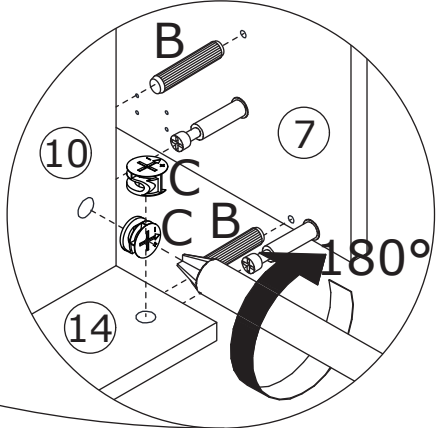
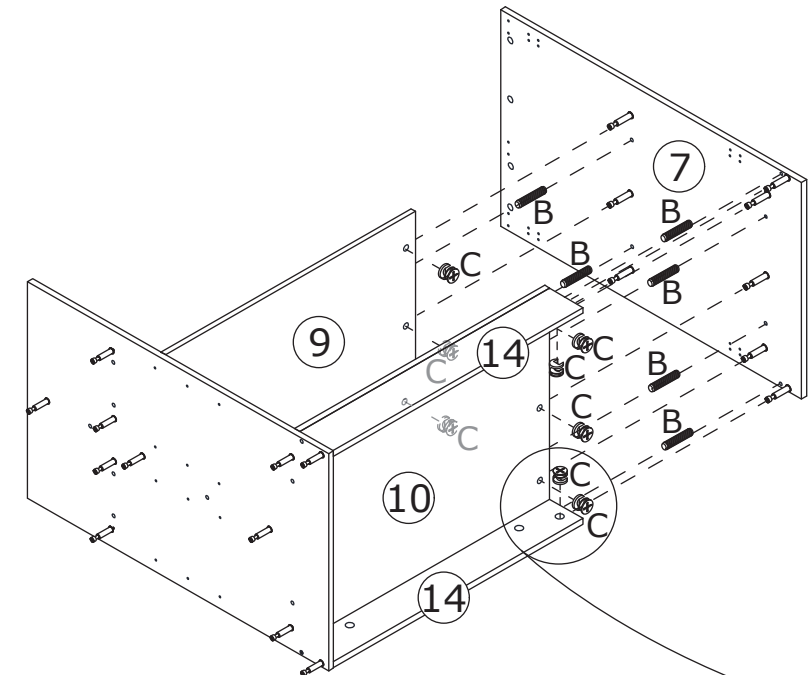
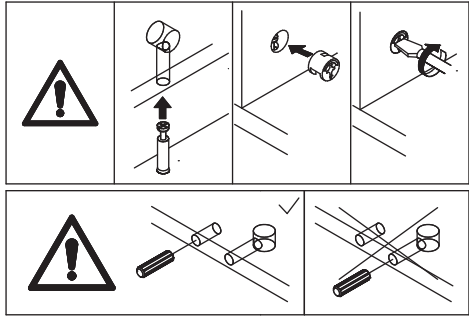
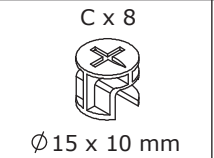
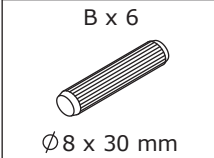
5



Attach board 14, 10 and 9 to board 7 using wooden dowel(B), add cam lock(C) into board 9,10,14 and turn clockwise to tighten as shown.

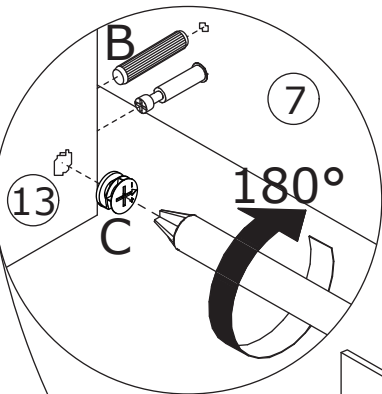
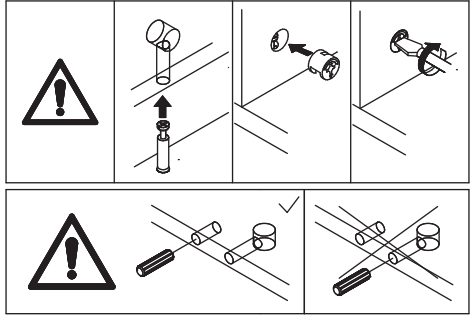
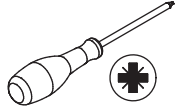
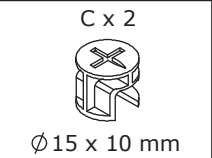
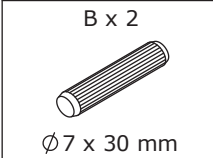


6

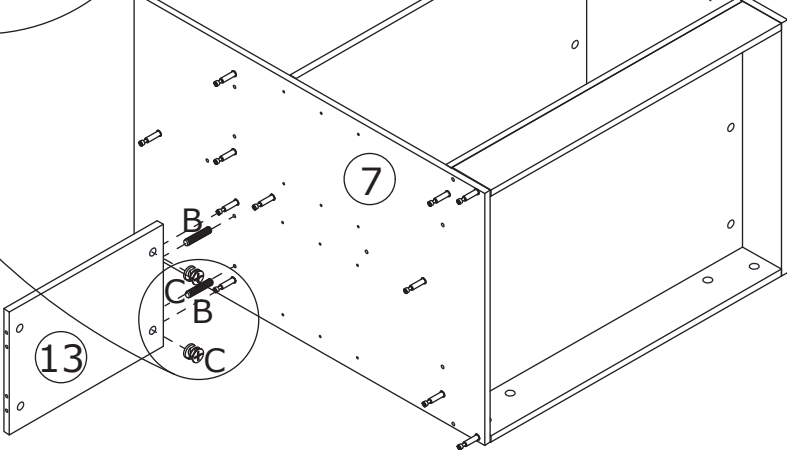


Attach another board 7 to board 14, 10 and 9 using wooden dowel(B), add cam lock(C) into board 9,10,14 and turn clockwise to tighten as shown.

7

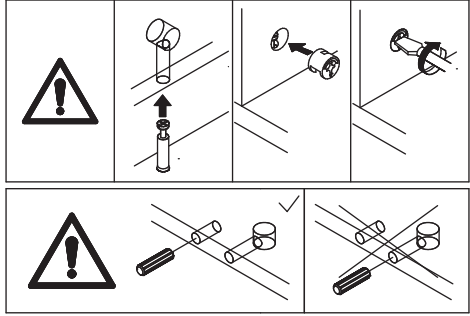
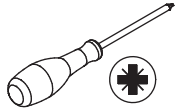
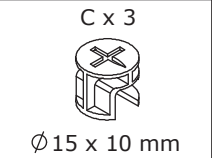
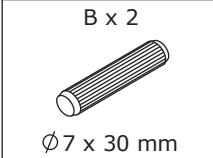


180°

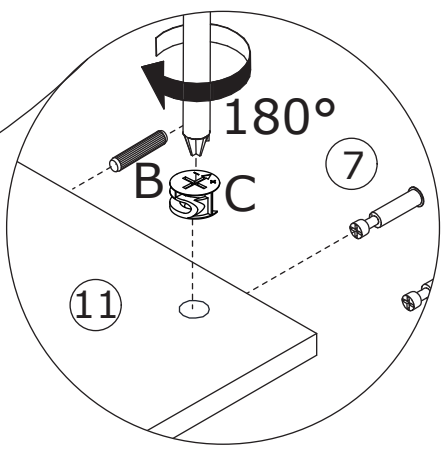
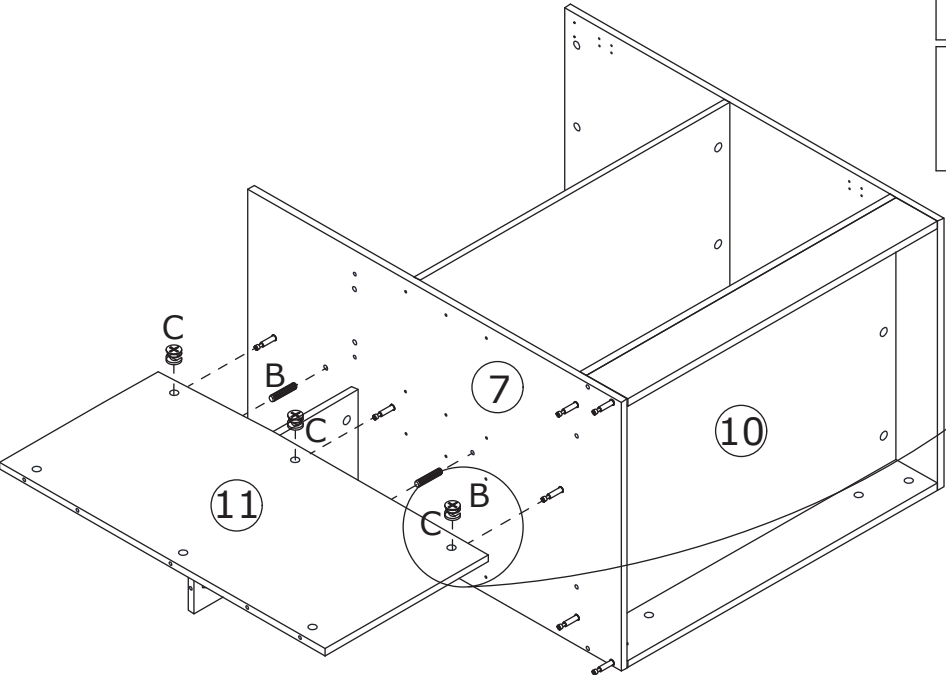


Attach board 13 to left board 7 using wooden dowel(B), add cam lock(C) into board 13 and turn clockwise to tighten as shown

8

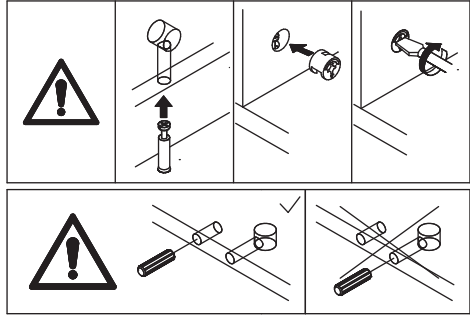
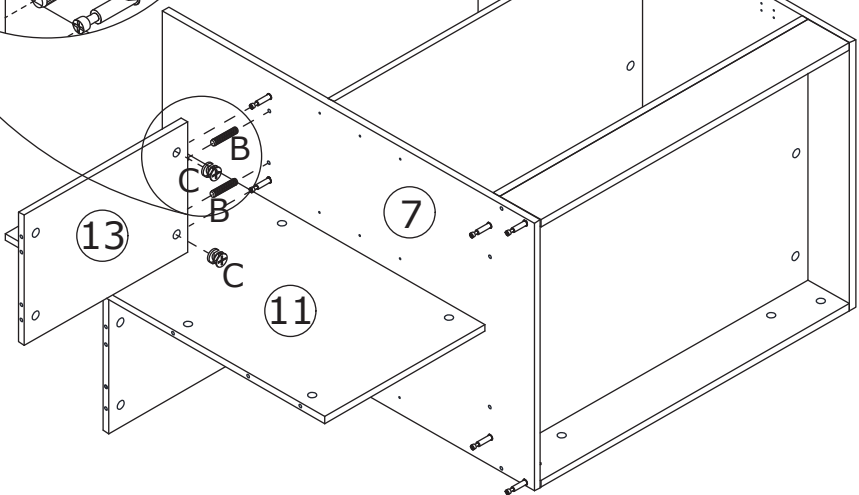
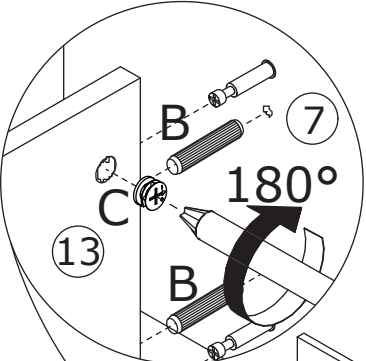
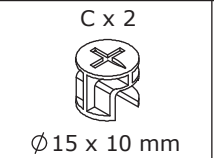
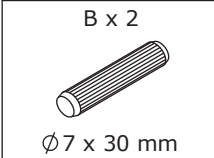


Attach board 11 to left board 7 using wooden dowel(B), add cam lock(C) into board 11 and turn clockwise to tighten as shown.



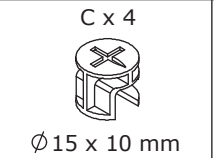
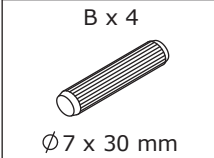
180°

9

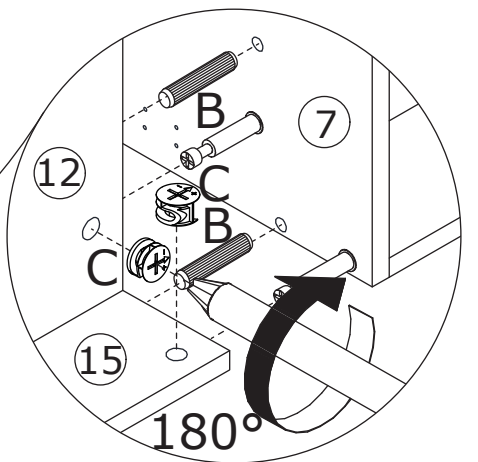
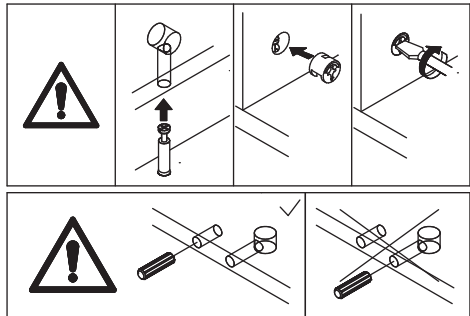
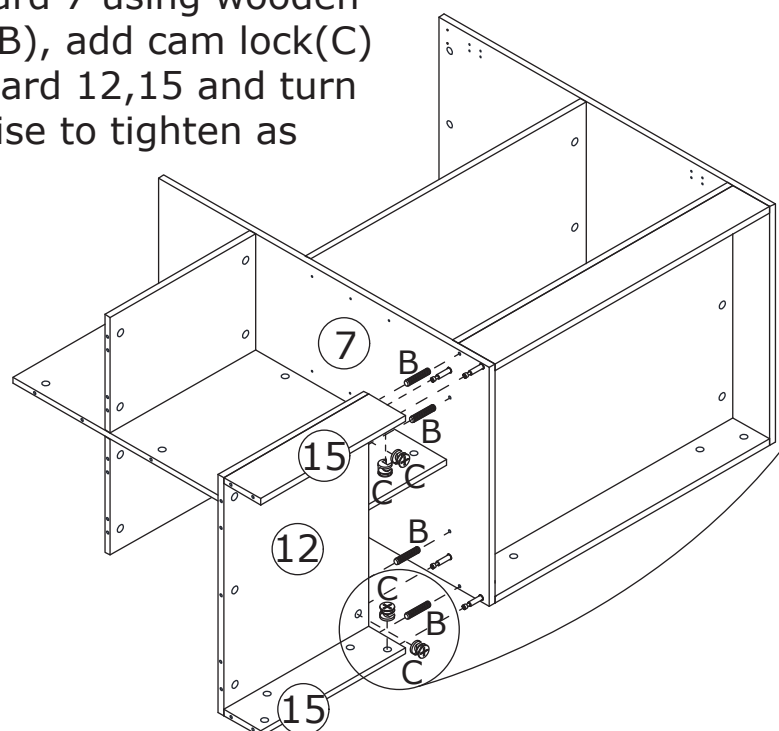


Attach another board 13 to left board 7 using wooden dowel(B), add cam lock(C) into board 13 and turn clockwise to tighten as shown.

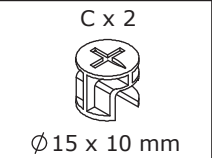
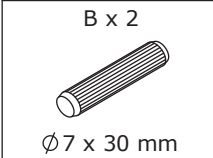
10



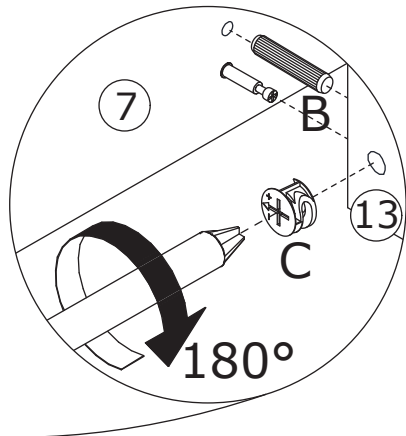
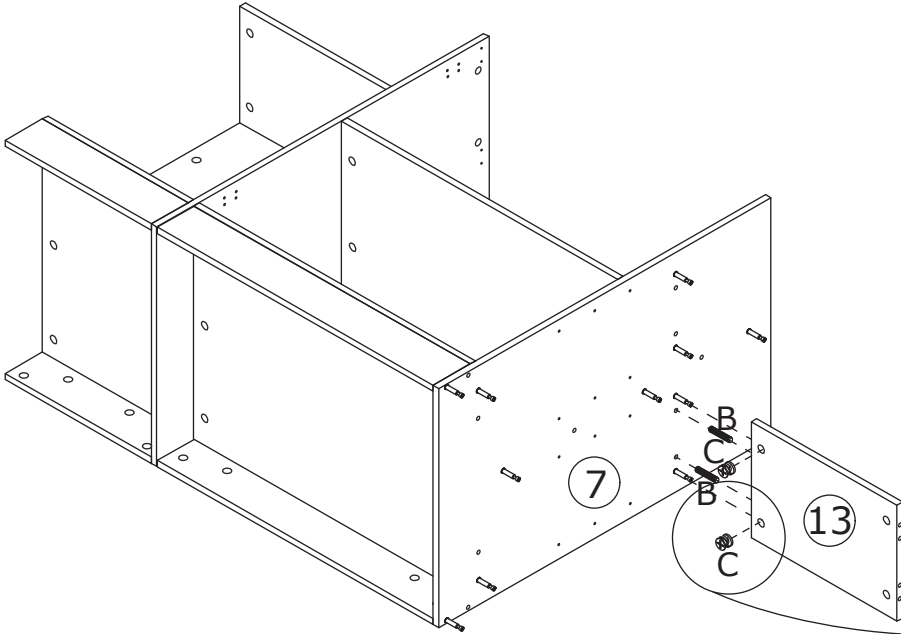
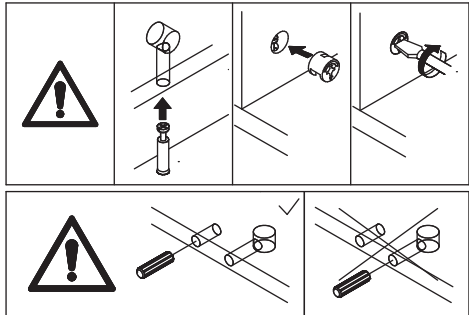
Attach board 12 and 15 (assembled in step 4) to left board 7 using wooden dowel(B), add cam lock(C) into board 12,15 and turn clockwise to tighten as shown.



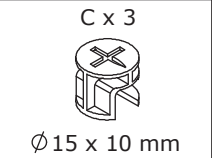
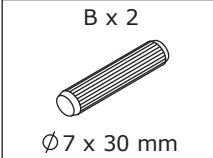
11



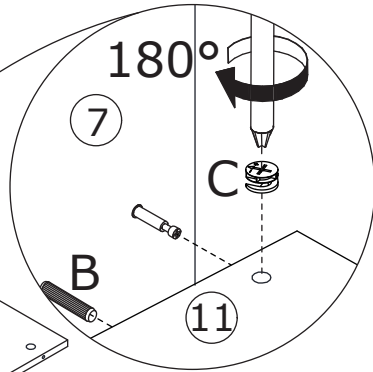
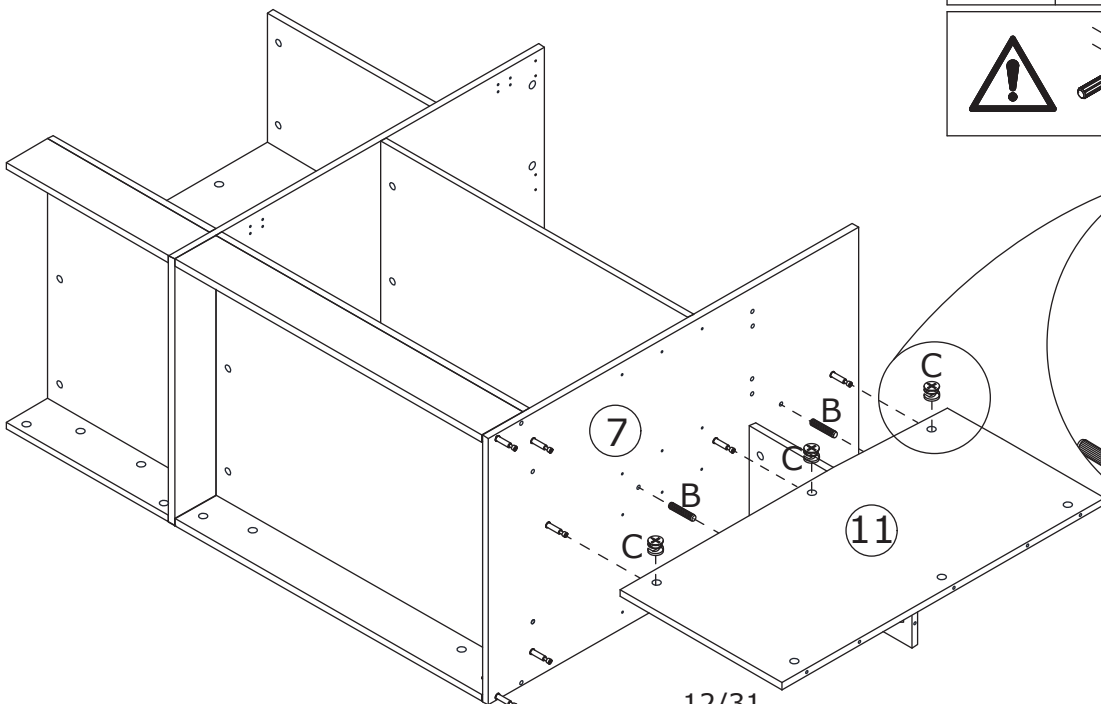
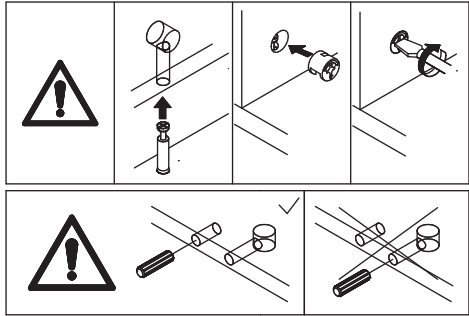
Attach board 13 to right board 7 using wooden dowel(B), add cam lock(C) into board 13 and turn clockwise to tighten as shown.



12

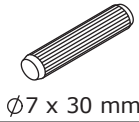


Attach board 11 to right board 7 using wooden dowel(B), add cam lock(C) into board 11 and turn clockwise to tighten as shown.

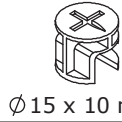


13

B x 2

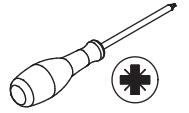


C x 2

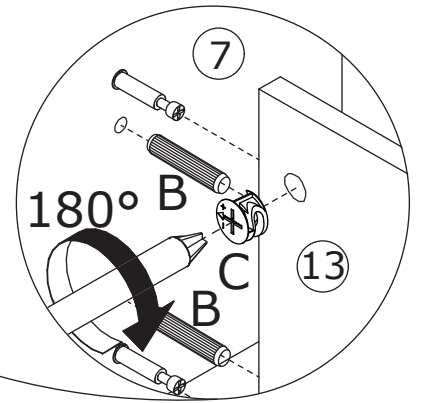
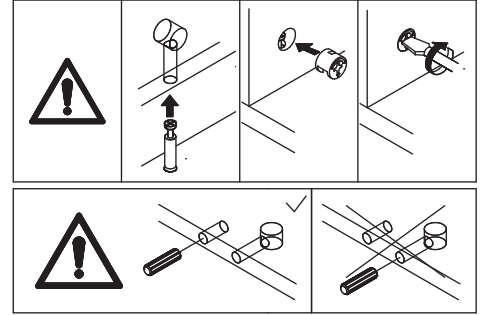
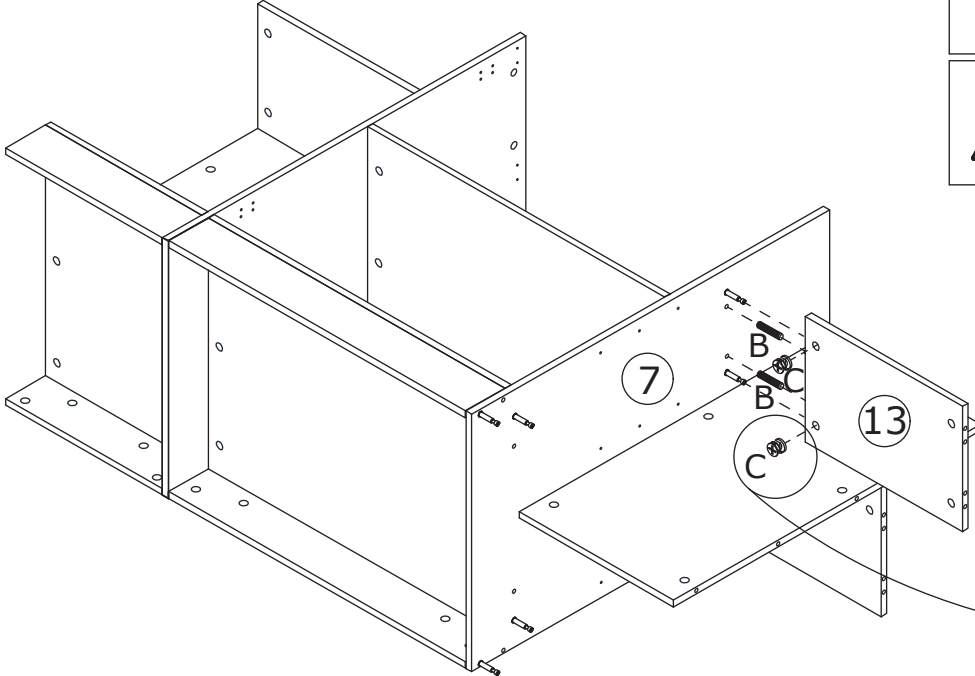


Ø7 x 30 mm

Ø15 x 10 mm

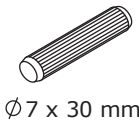


Attach another board 13 to right board 7 using wooden dowel(B), add cam lock(C) into board 13 and turn clockwise to tighten as shown.



14

B x 4

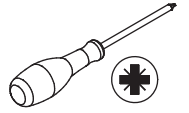


C x 4

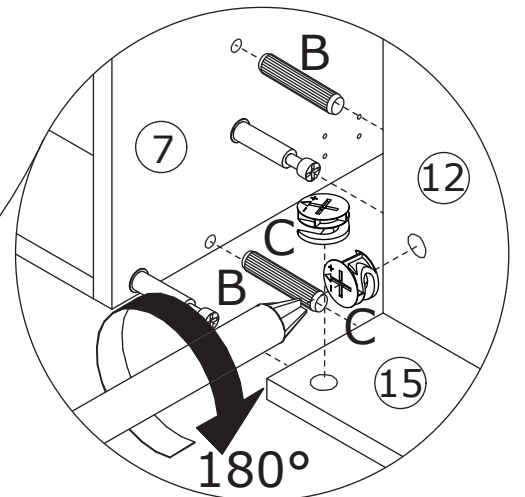
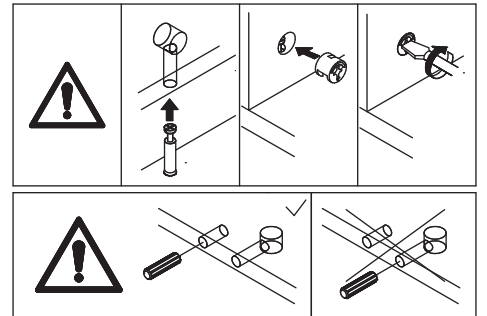
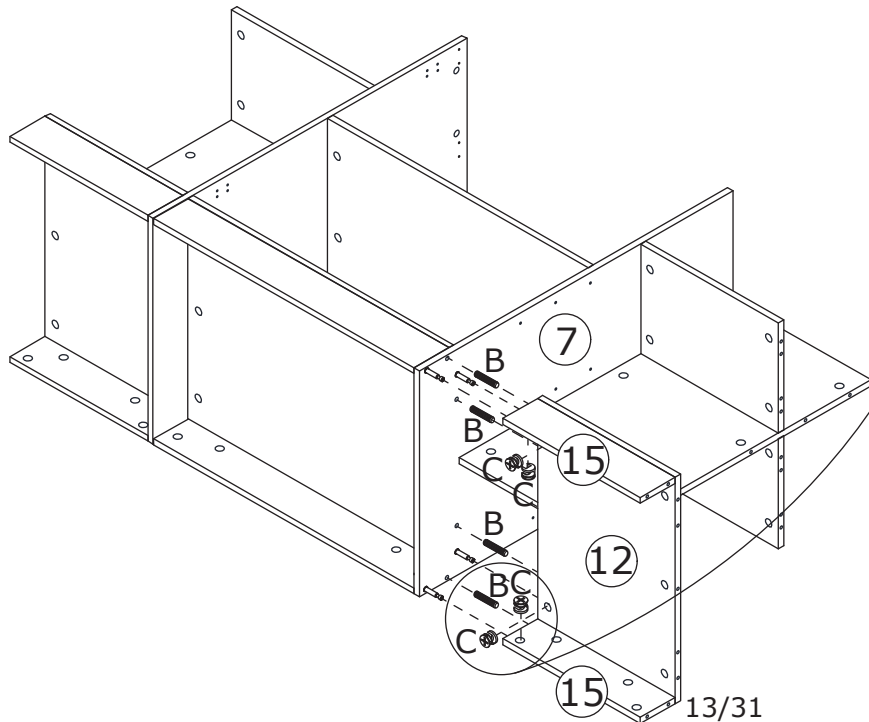


Ø7 x 30 mm

Ø15 x 10 mm

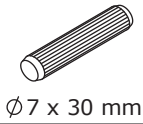


Attach board 12 and 15(assembled in step 4) to right board 7 using wooden dowel(B), add cam lock(C) into board 12,15 and turn clockwise to tighten as shown.

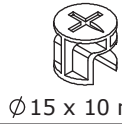


15

B x 10

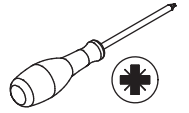


C x 10

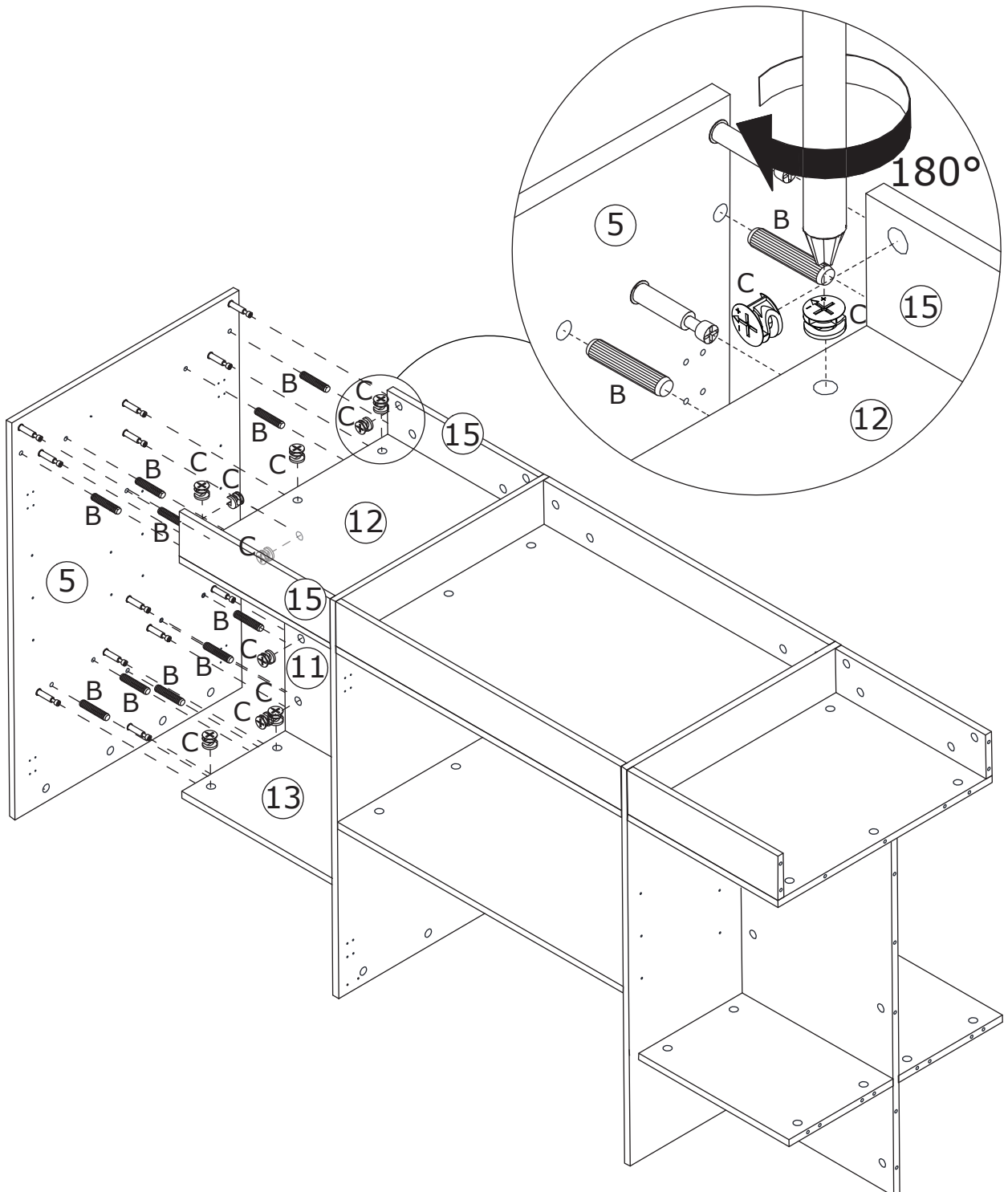
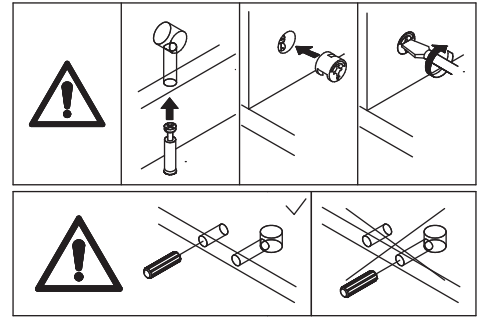


Ø7 x 30 mm

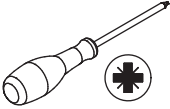
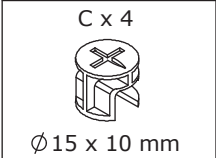
Ø15 x 10 mm



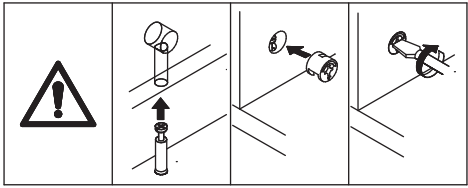
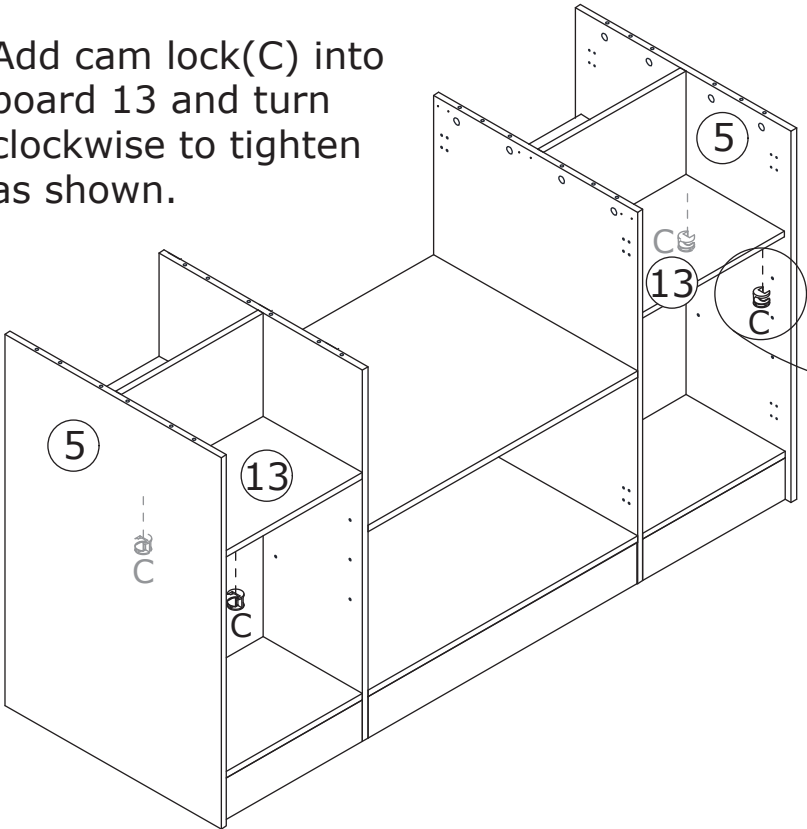
Attach board 5 to right side using wooden dowel(B), add cam lock(C) into board 13,11, 15,12 and turn clockwise to tighten as shown.



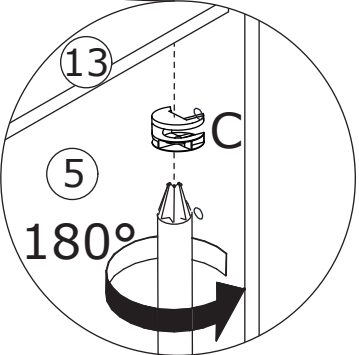
17



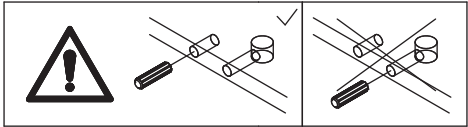
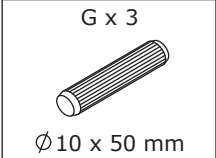
Add cam lock(C) into board 13 and turn clockwise to tighten as shown.



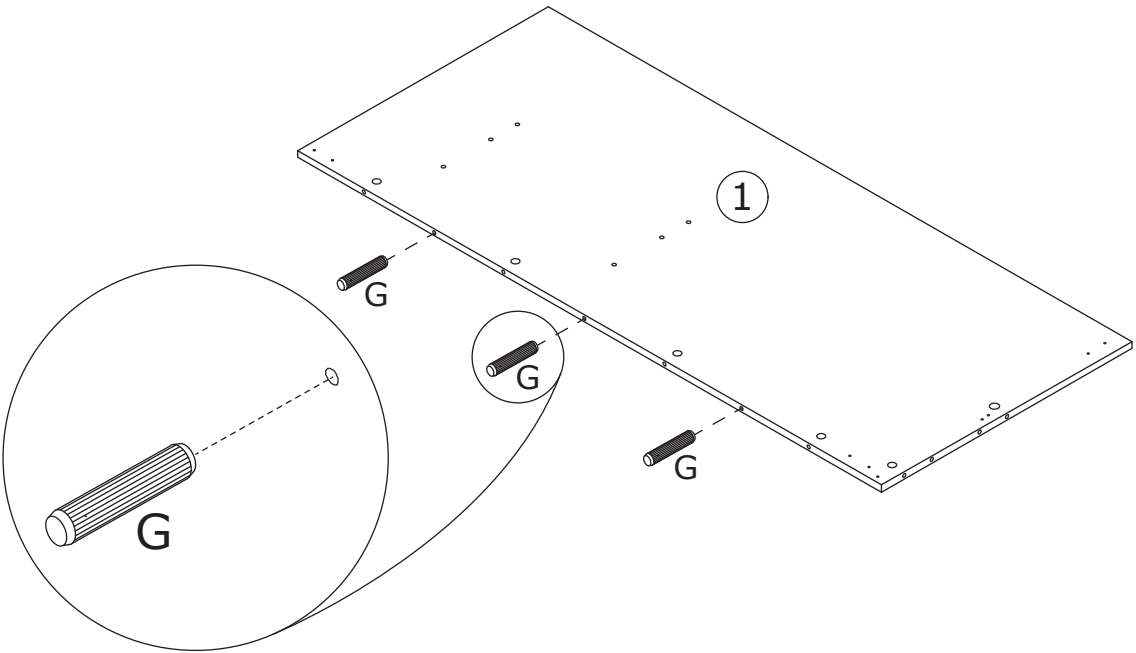
The other side



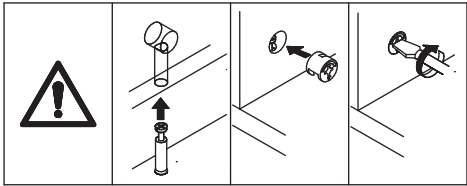
18



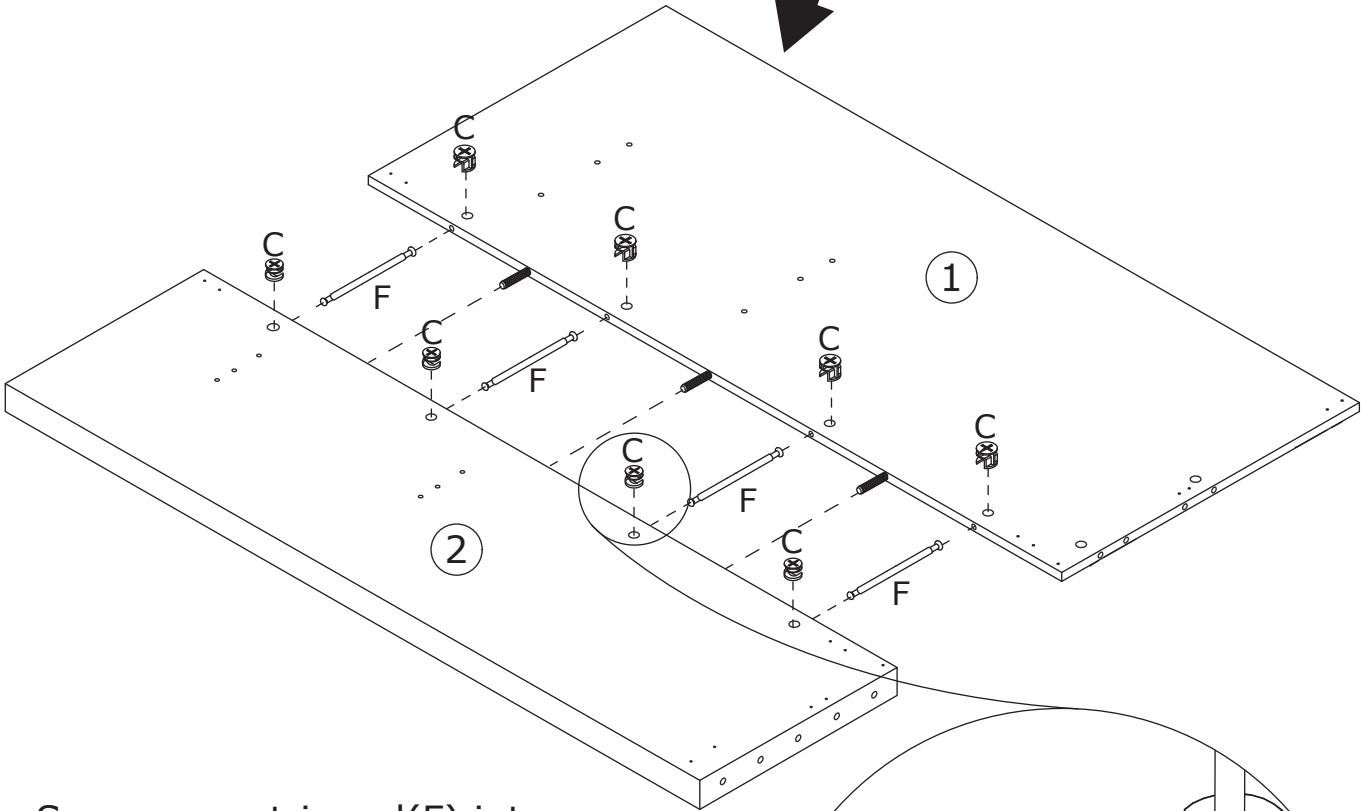
Insert wooden dowel(G) into board 1 at first.



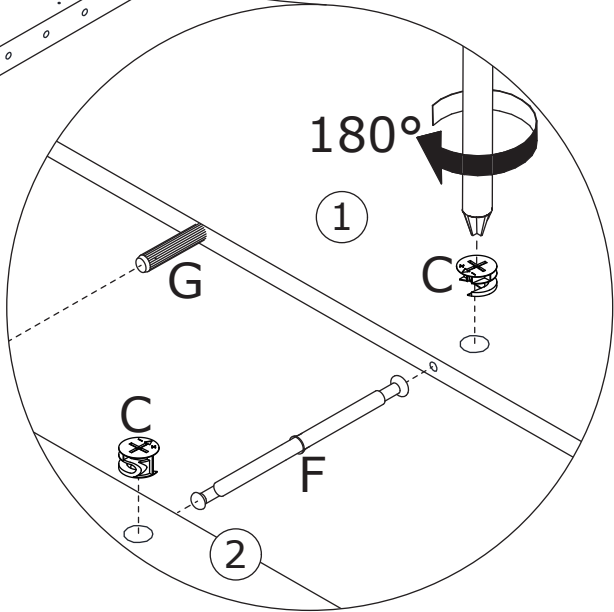
19



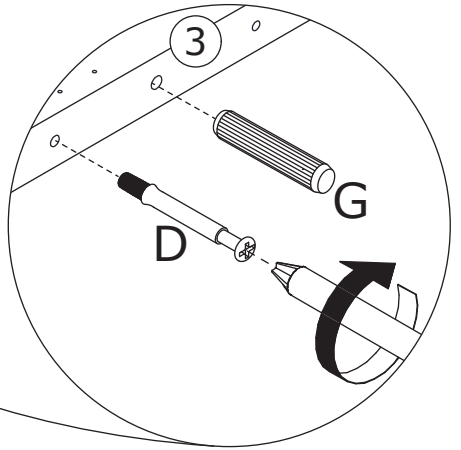
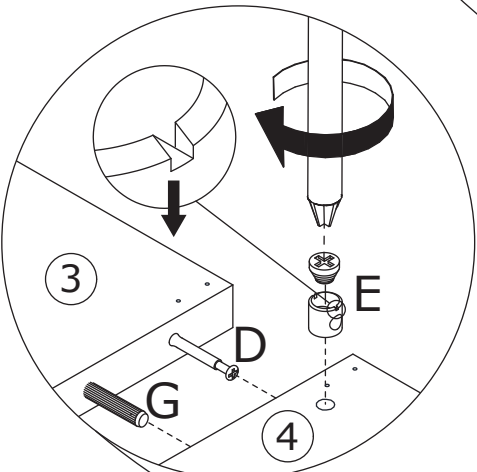
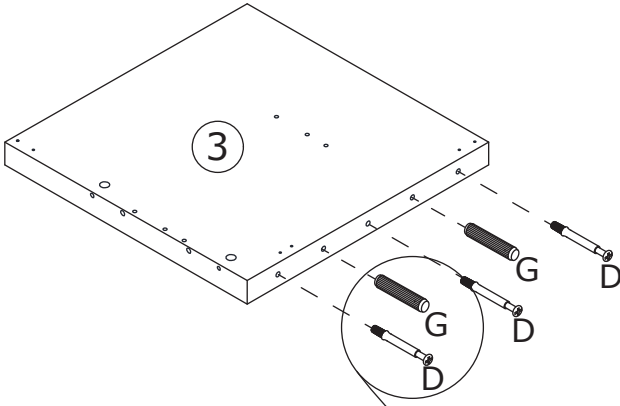
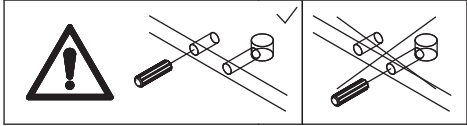
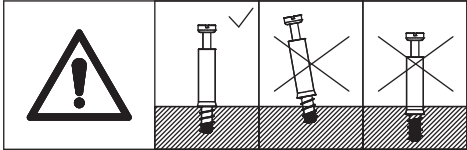
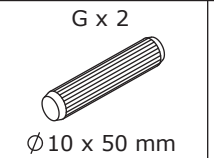
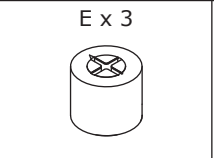
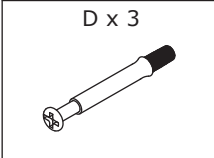
Please note, the thickness of these two boards is different, so they are not in the same horizontal plane. Please pad the foam board under board 1 to prevent it from falling



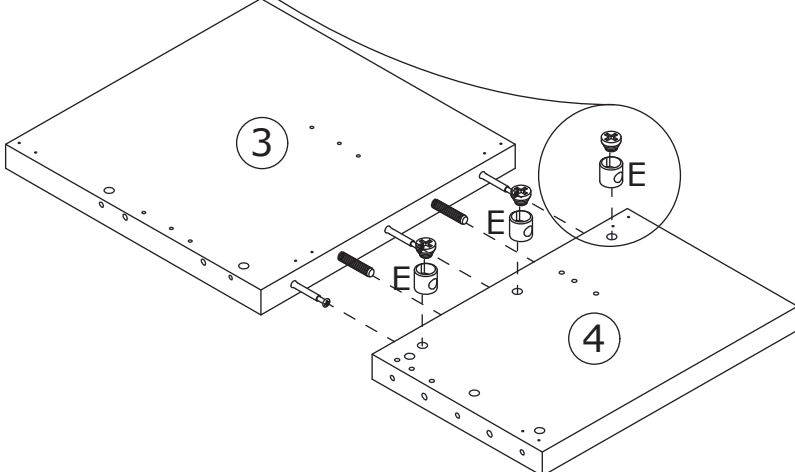
Screw eccentric rod(F) into board 1, and connect to board 2. Add cam lock(C) into board 1 and 2, turn clockwise to tighten as shown.



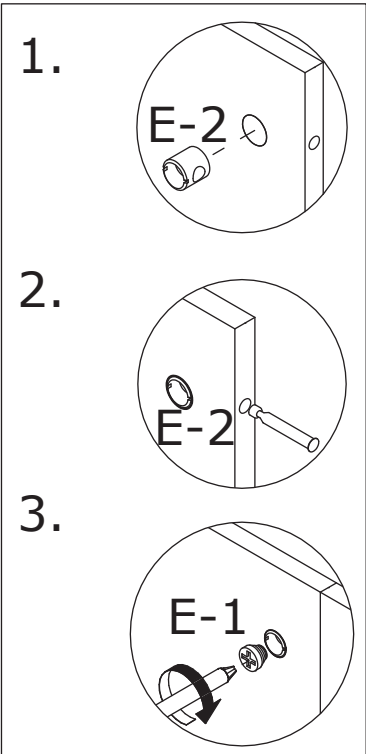
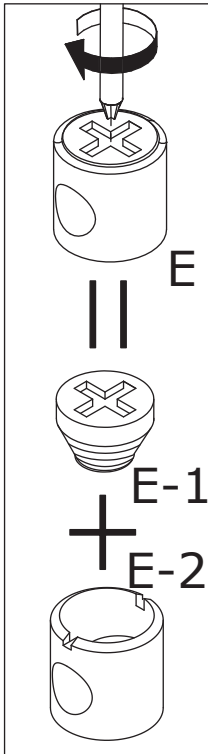
20



Screw eccentric rod(D) and insert wooden dowel(G) into board 3 at first.

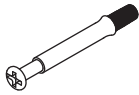


Add nut(E-2) into board 4, then connect to board 3, turn nut(E-1) to tighten as shown.

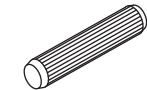


21

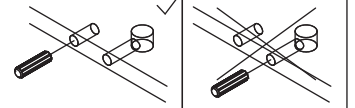
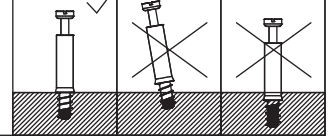
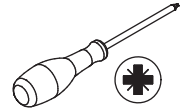
D x 3



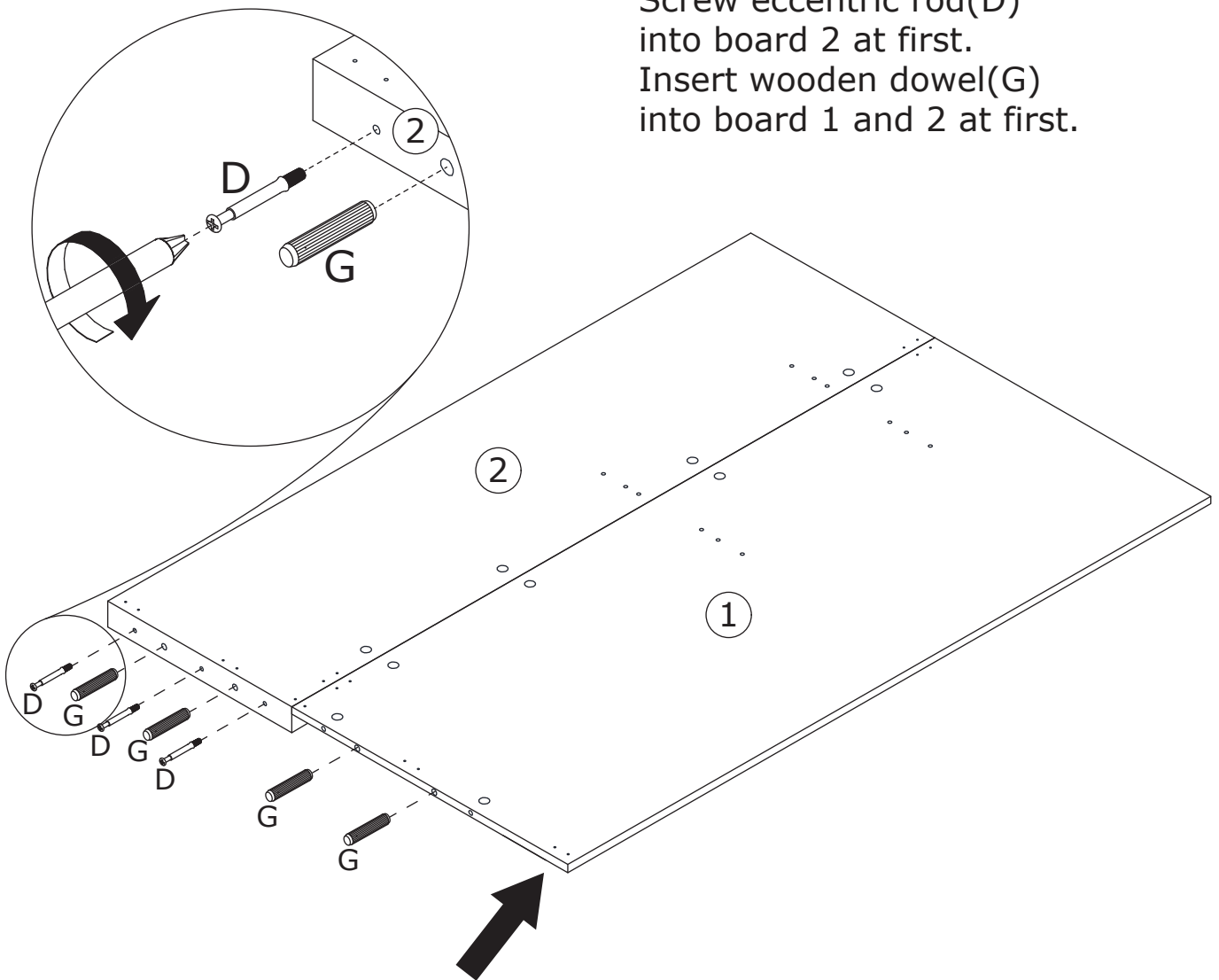
G x 4



Ø10 x 50 mm

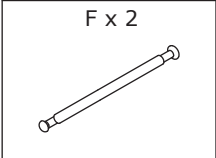


Screw eccentric rod(D)
into board 2 at first.
Insert wooden dowel(G)
into board 1 and 2 at first.

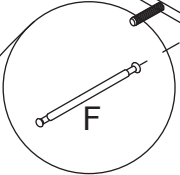
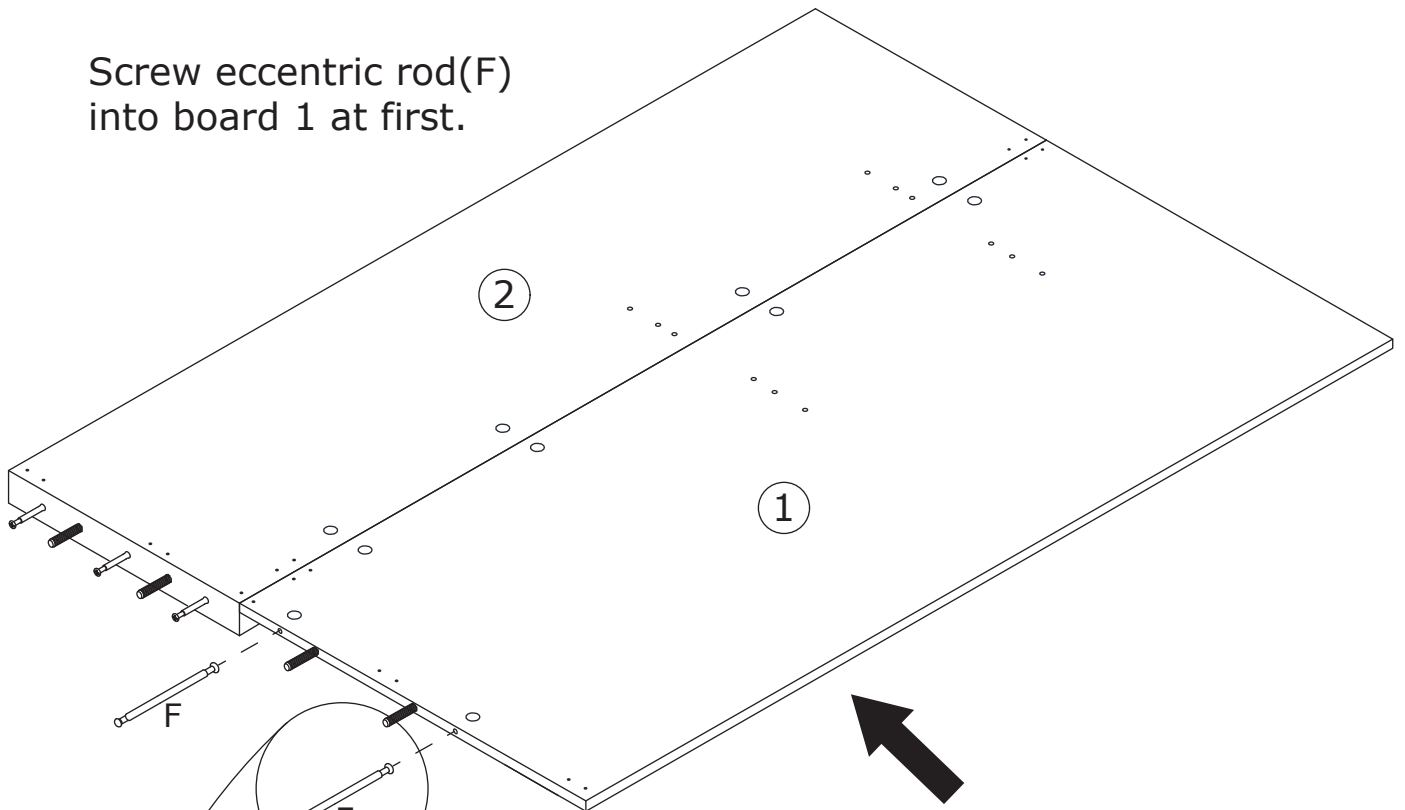


Please note, the thickness of these two boards is different, so they are not in the same horizontal plane. Please pad the foam board under board 1 to prevent it from falling

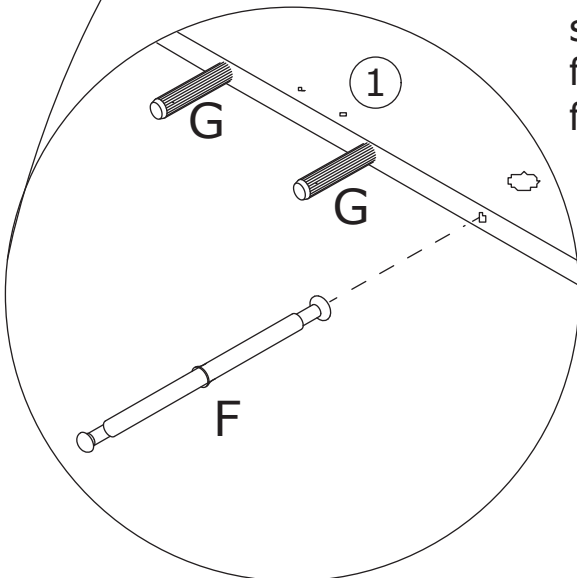
22



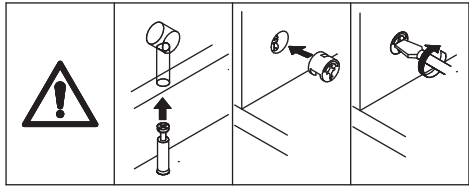
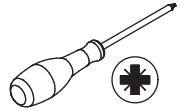
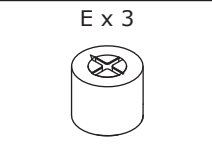
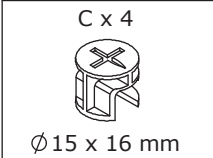
Screw eccentric rod(F)
into board 1 at first.



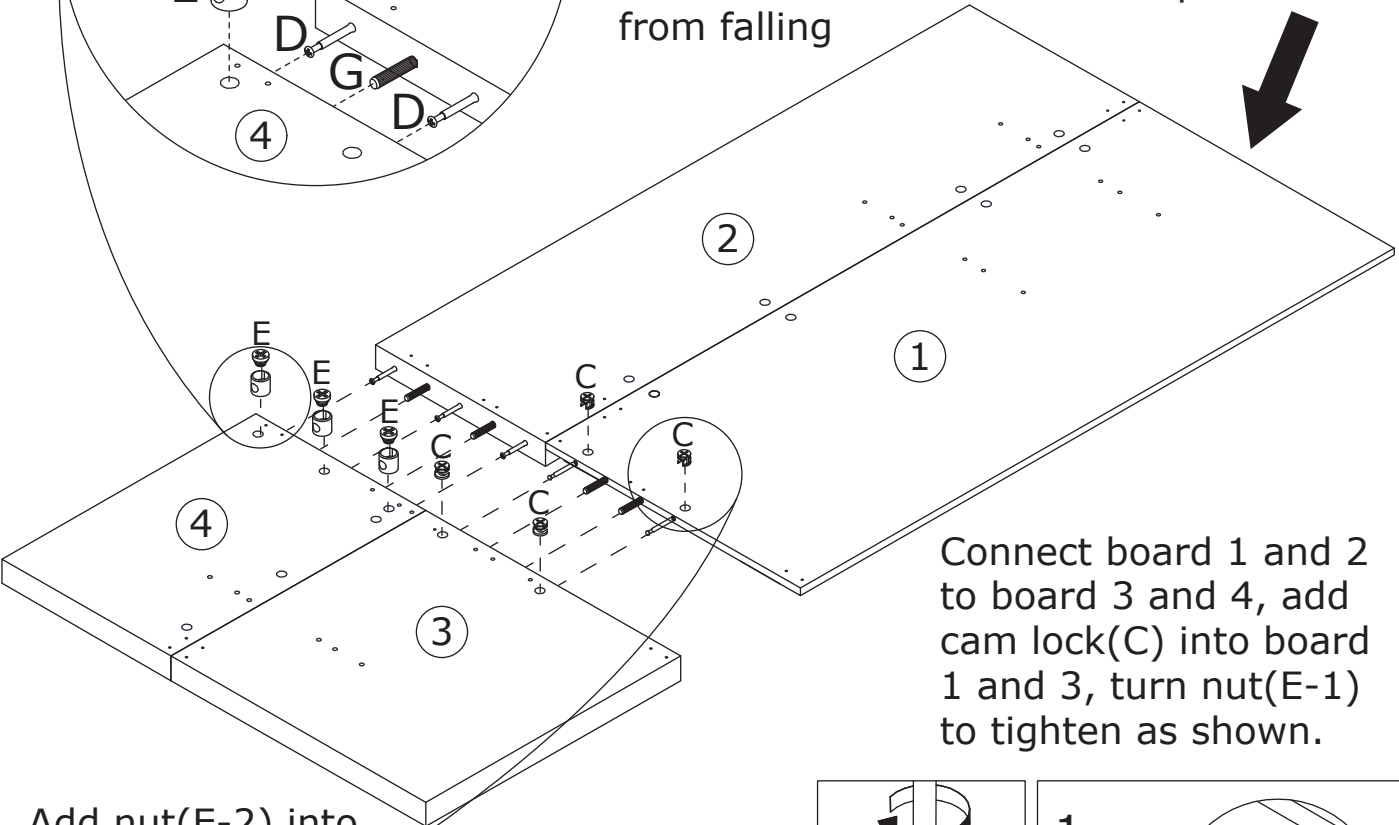
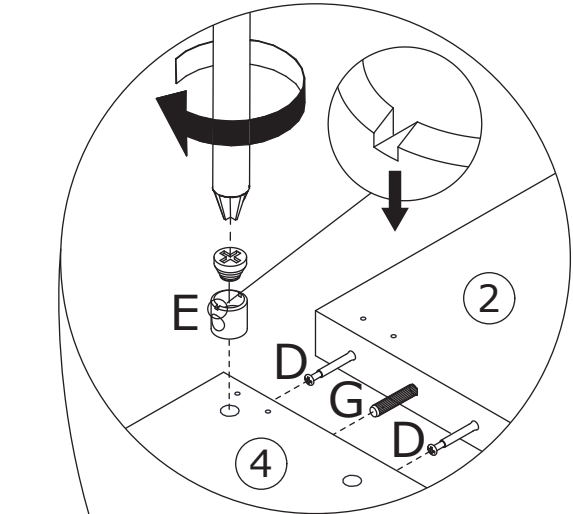
Please note, the thickness of these two boards is different, so they are not in the same horizontal plane. Please pad the foam board under board 1 to prevent it from falling



23

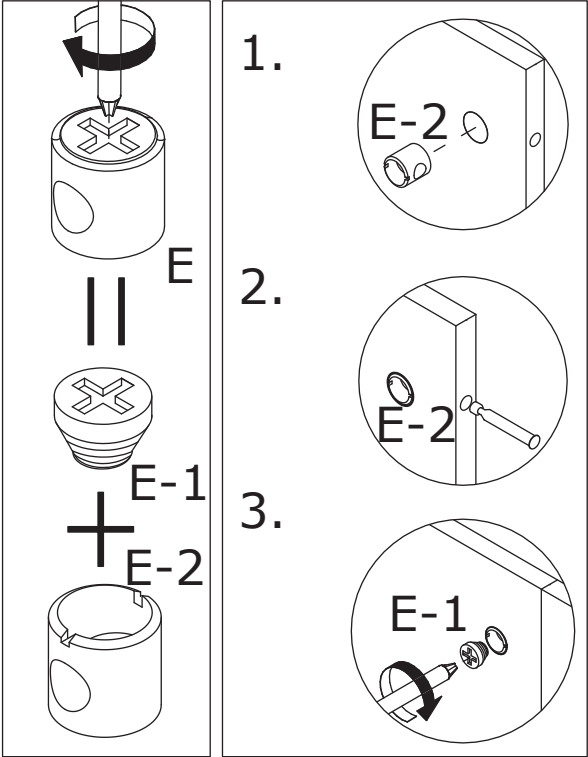
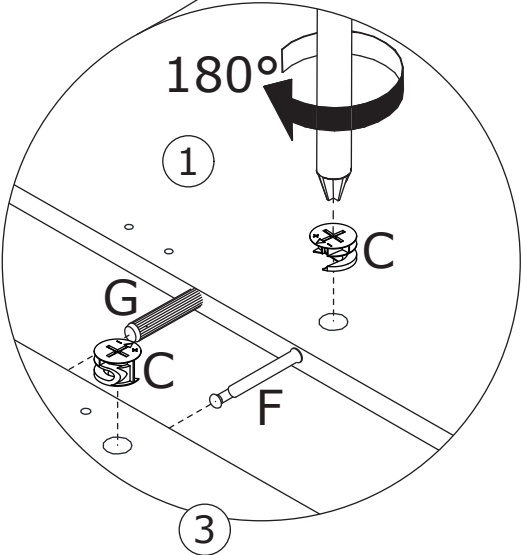


Please note, the thickness of these two boards is different, so they are not in the same horizontal plane. Please pad the foam board under board 1 to prevent it from falling

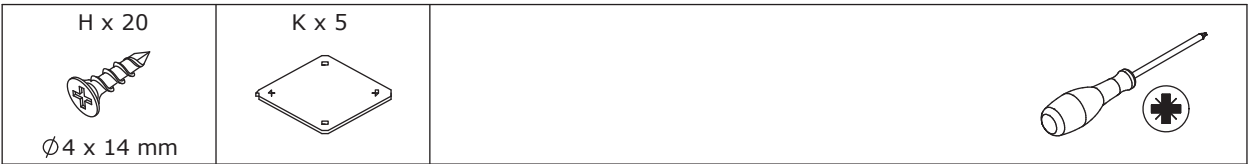


Connect board 1 and 2 to board 3 and 4, add cam lock (C) into board 1 and 3, turn nut (E-1) to tighten as shown.

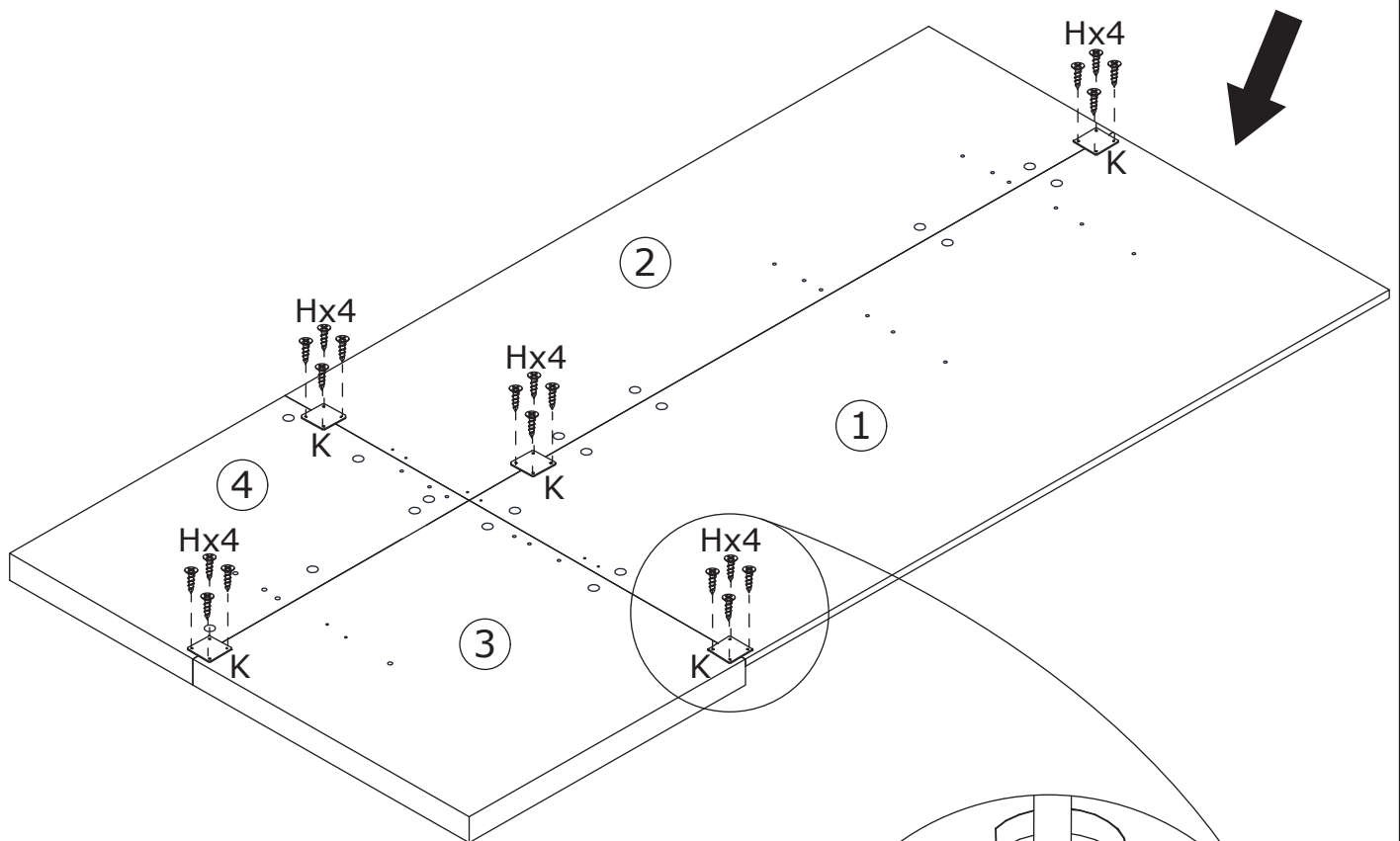
Add nut (E-2) into board 4 at first.



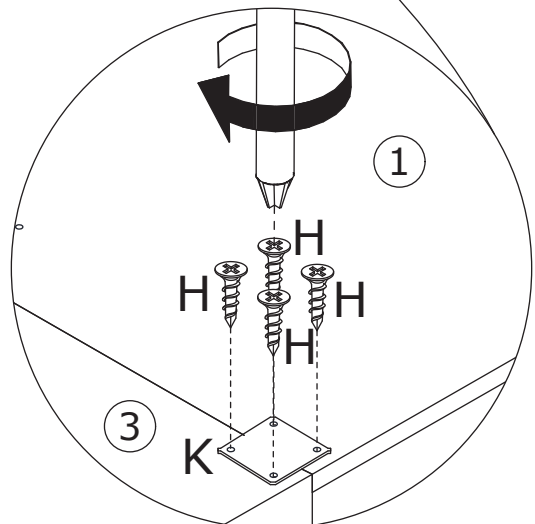
24



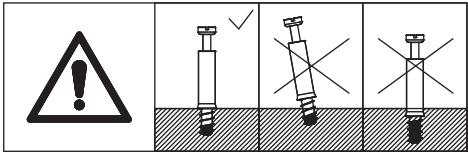
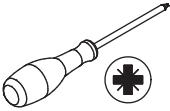
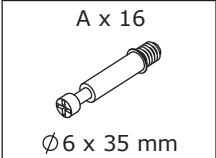
Please note, the thickness of these two boards is different, so they are not in the same horizontal plane. Please pad the foam board under board 1 to prevent it from falling.



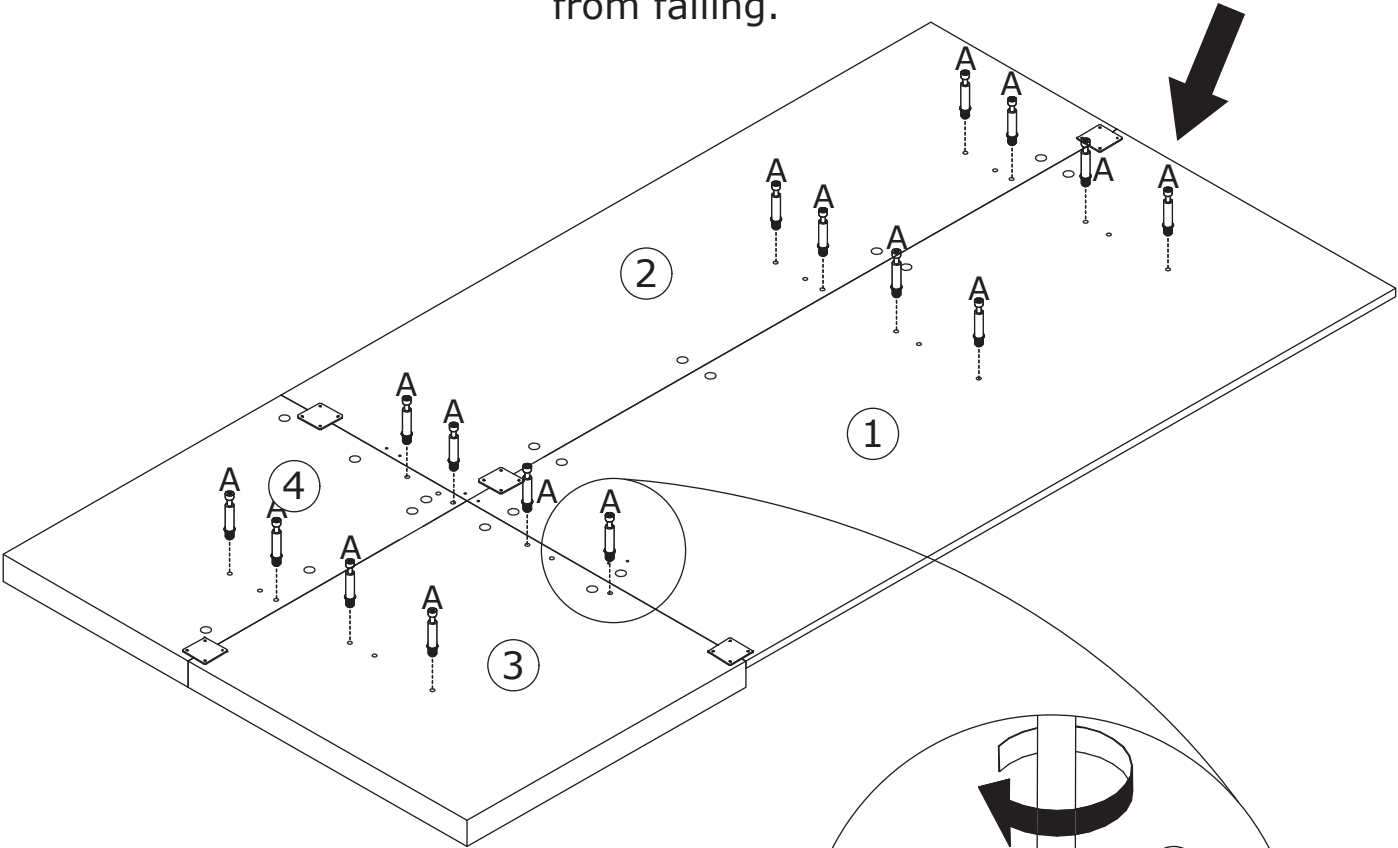
Fix iron sheet(K) to board 1, 2, 3 and 4 with screw(H) as shown.



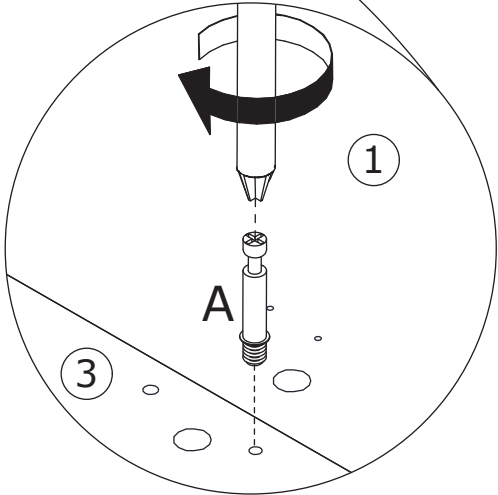
25



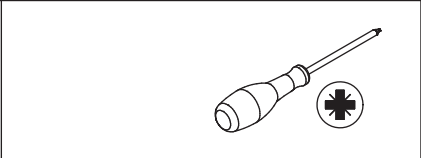
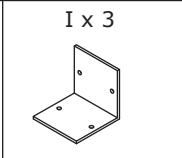
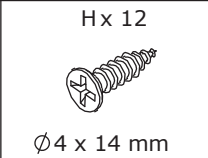
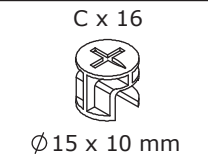
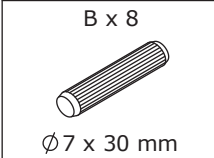
Please note, the thickness of these two boards is different, so they are not in the same horizontal plane. Please pad the foam board under board 1 to prevent it from falling.



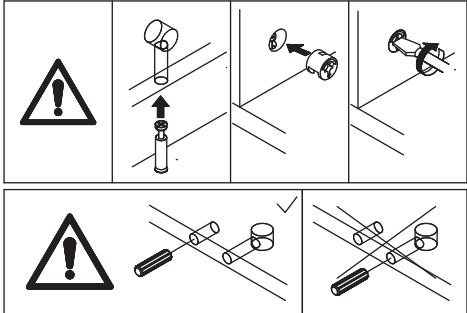
Screw eccentric rod(A) into board 1, 2, 3 and 4 at first.




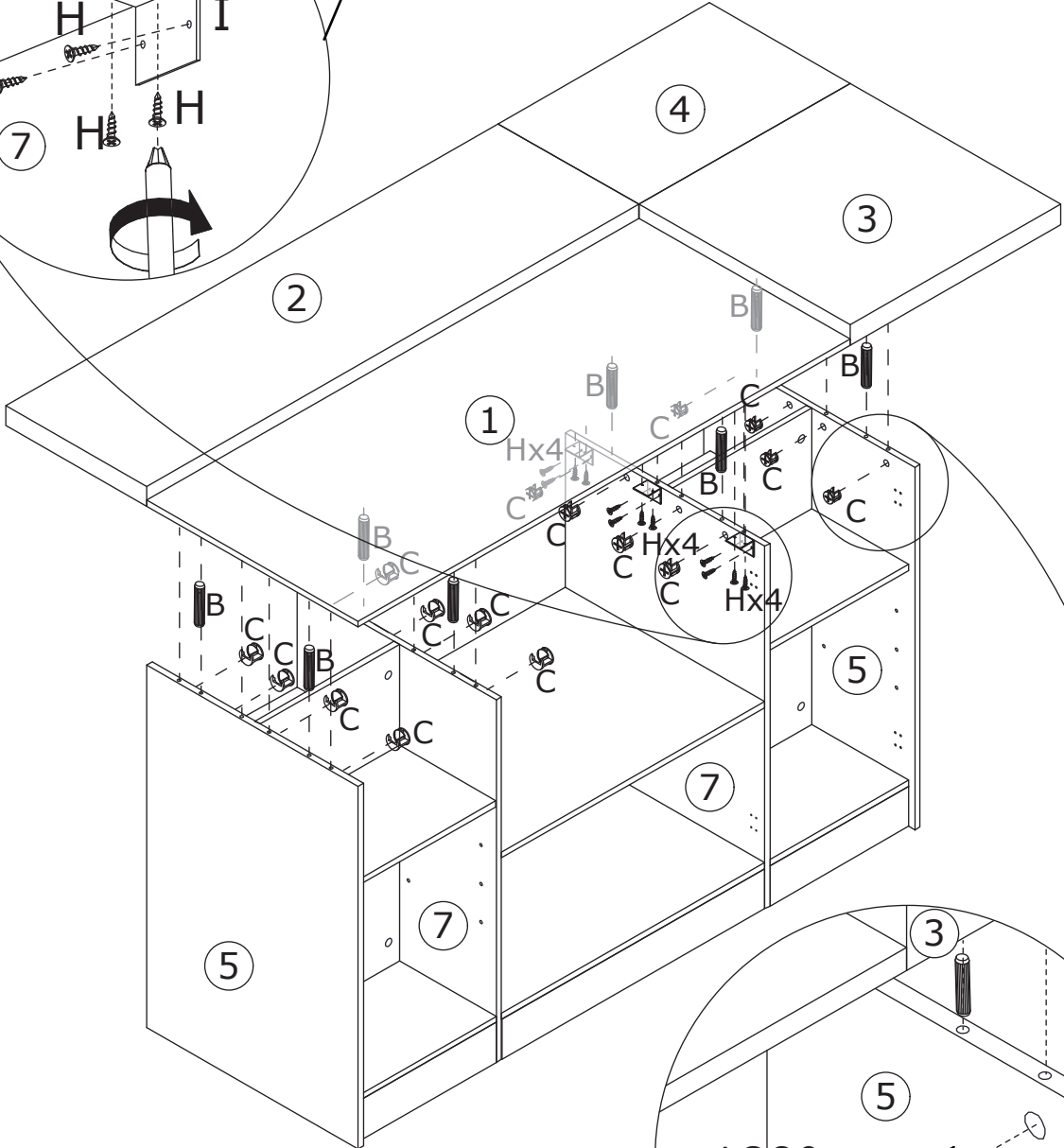
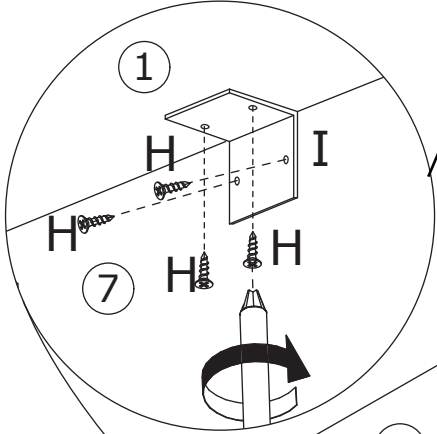
26



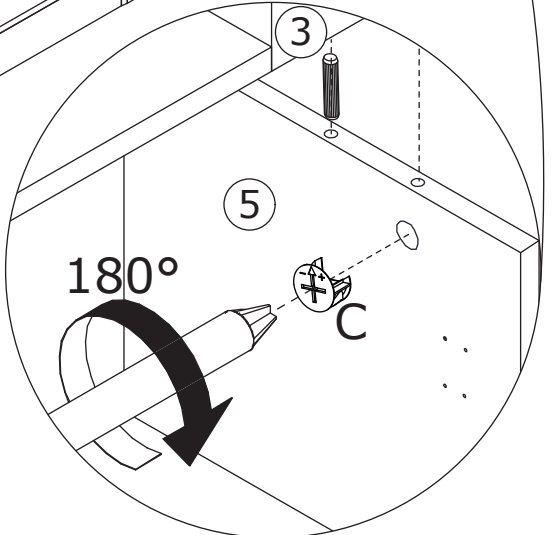
At least 3 to 4 persons are required to lift the table top and assemble it onto the cabinet



 After placing the countertop, fix the assembled part(I) to board 1 with screw(H).



Cover the four boards to the top using wooden dowel(B), add cam lock(C) into board 5,7 and turn clockwise to tighten as shown.

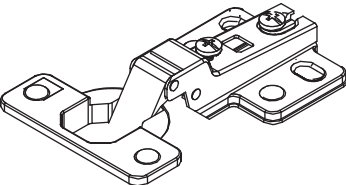




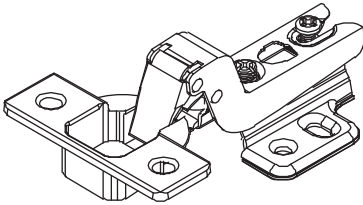
Pay attention to the difference between the middle parts of the two types of door hinges.

The large curved door hinges(N) are used on the outermost door plates.

And the small curved door hinges(M) are used on the door panel in the middle of the cabinet.

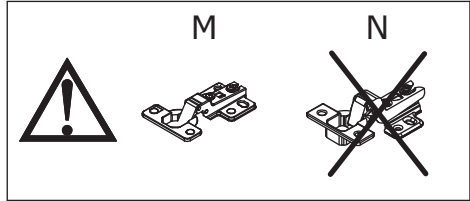
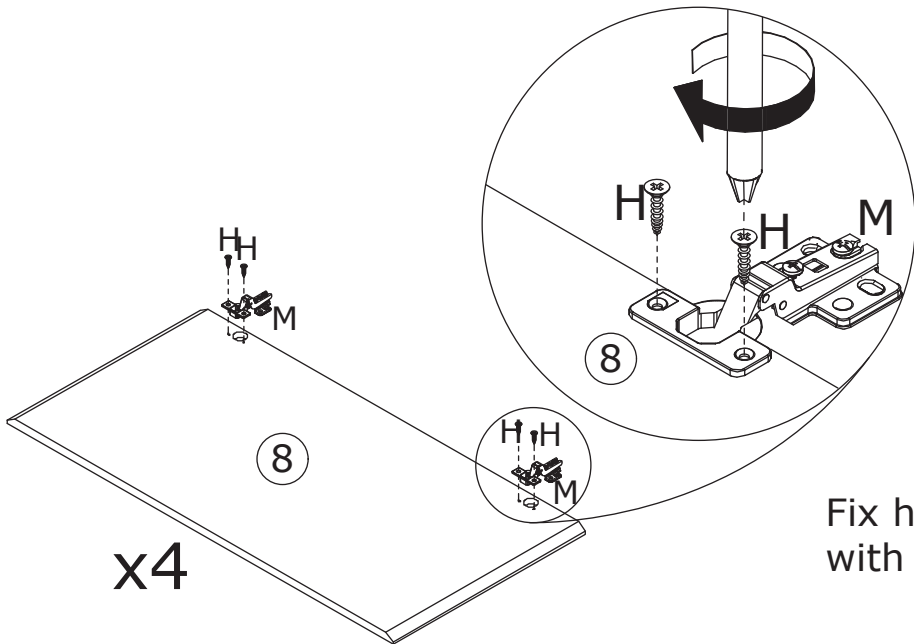


M



N

28

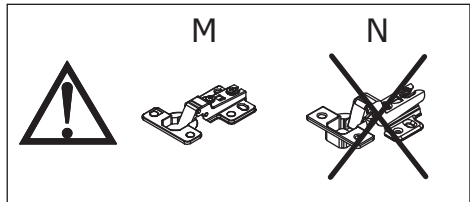
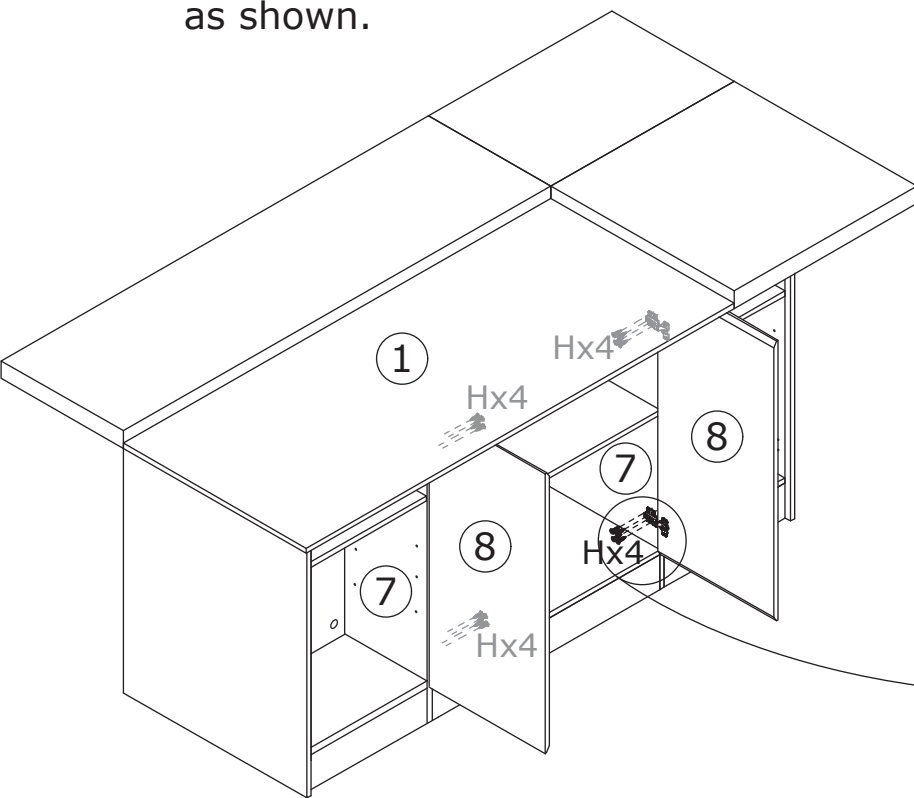


Fix hinge(M) to board 8 with screw(H) as shown.

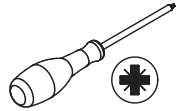
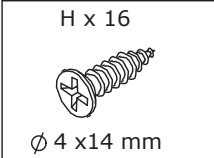
29



Assemble door 8 to board 7 by fixing hinge(M) with screw(H) as shown.

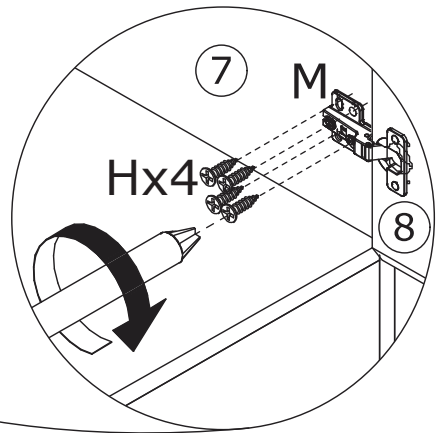
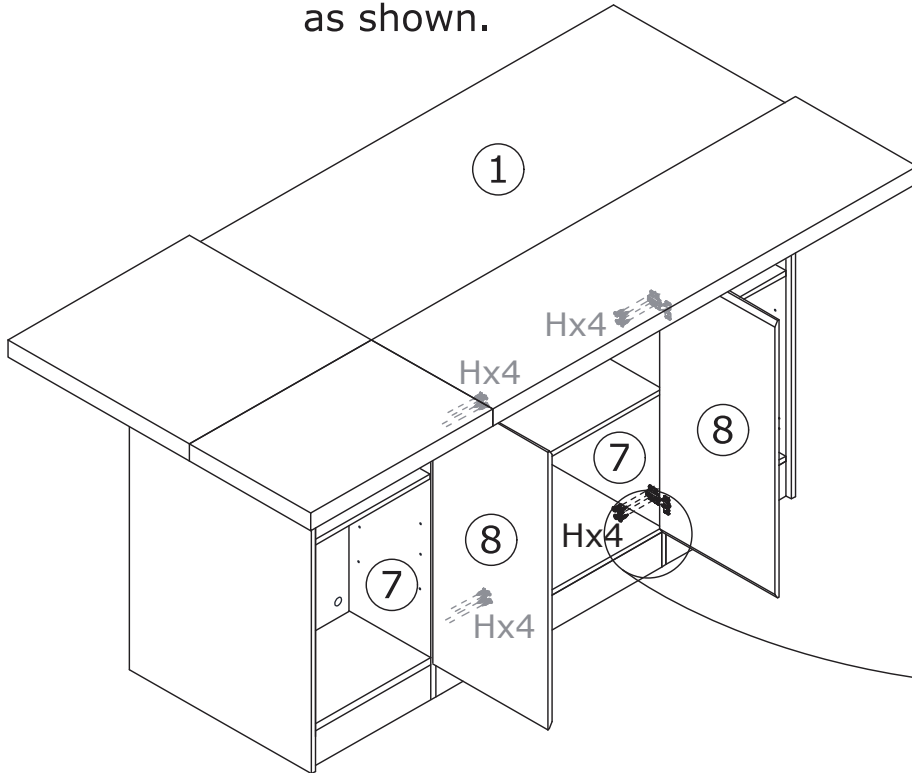
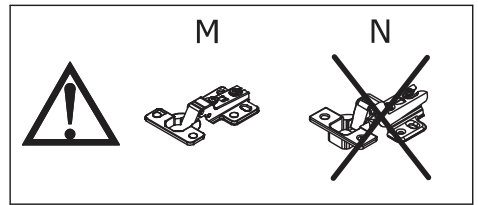


30

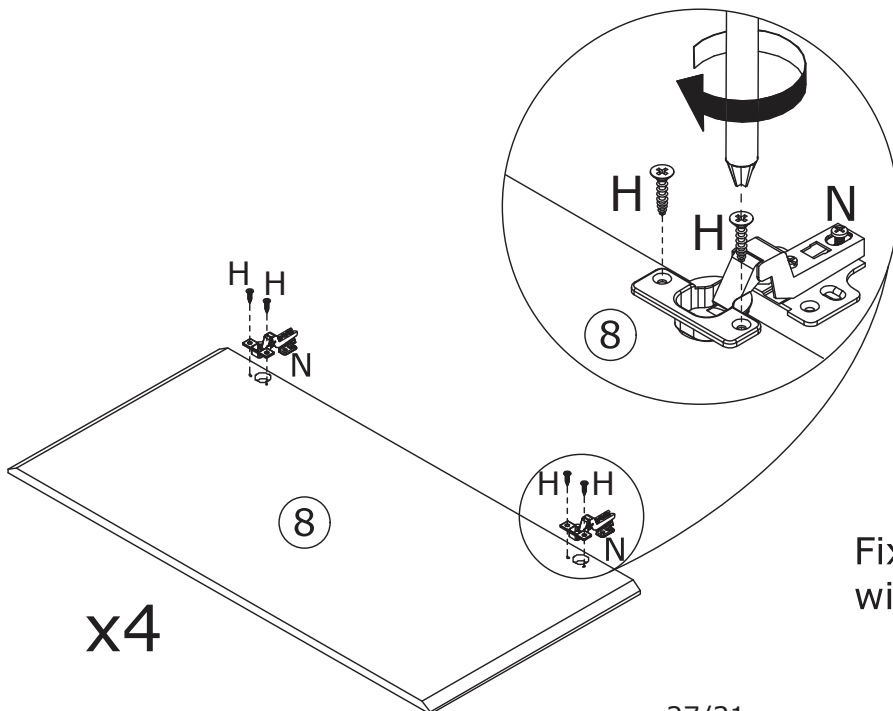
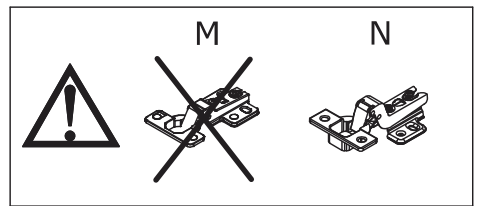
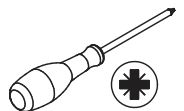
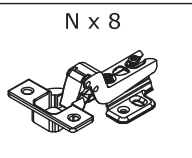
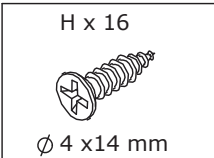


The other side

Assemble door 8 to board 7 by fixing hinge(M) with screw(H) as shown.

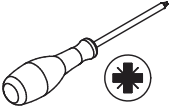
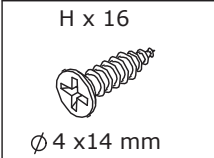


31

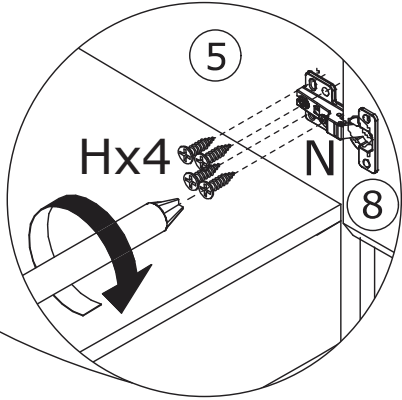
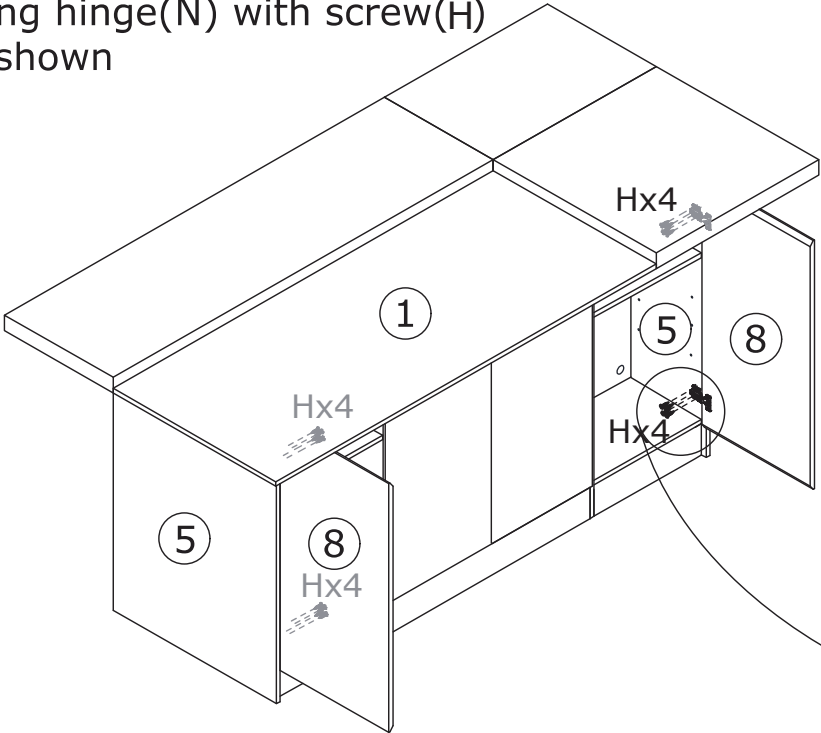
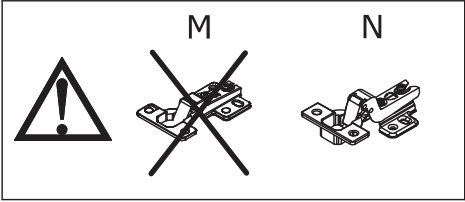


Fix hinge(N) to board 8 with screw(H) as shown.

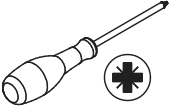
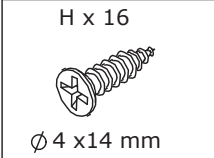
32



Assemble door 8 to board 5 by fixing hinge(N) with screw(H) as shown

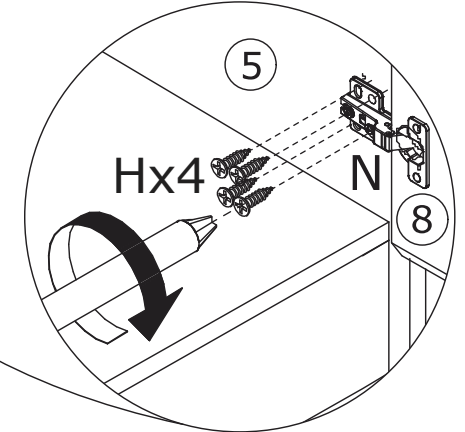
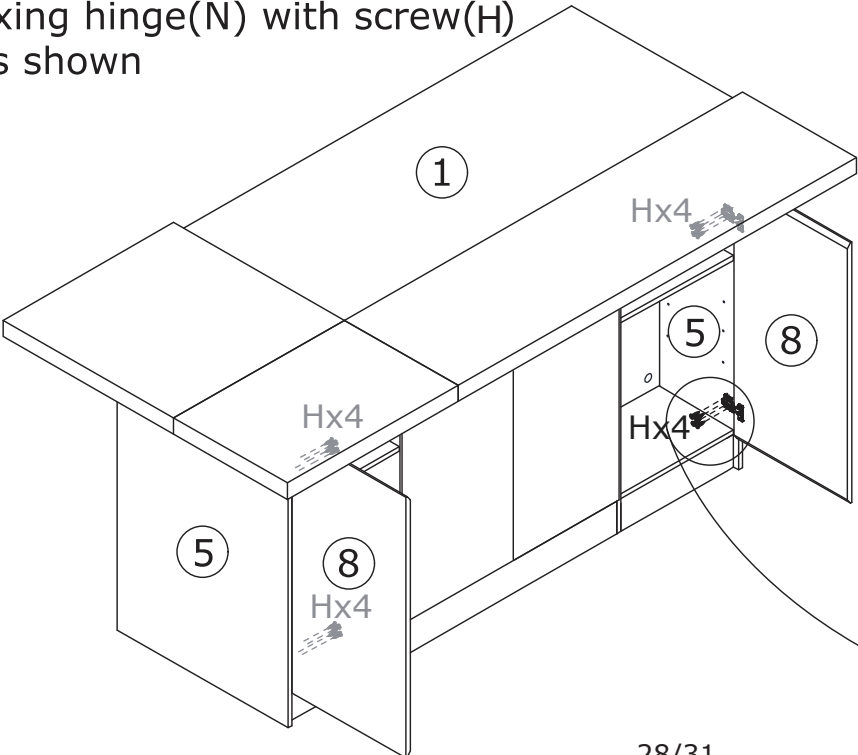
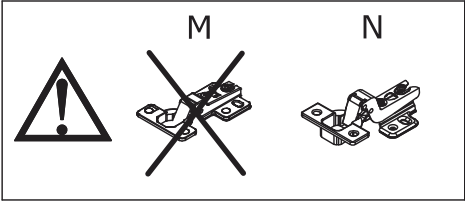


33



The other side

Assemble door 8 to board 5 by fixing hinge(N) with screw(H) as shown

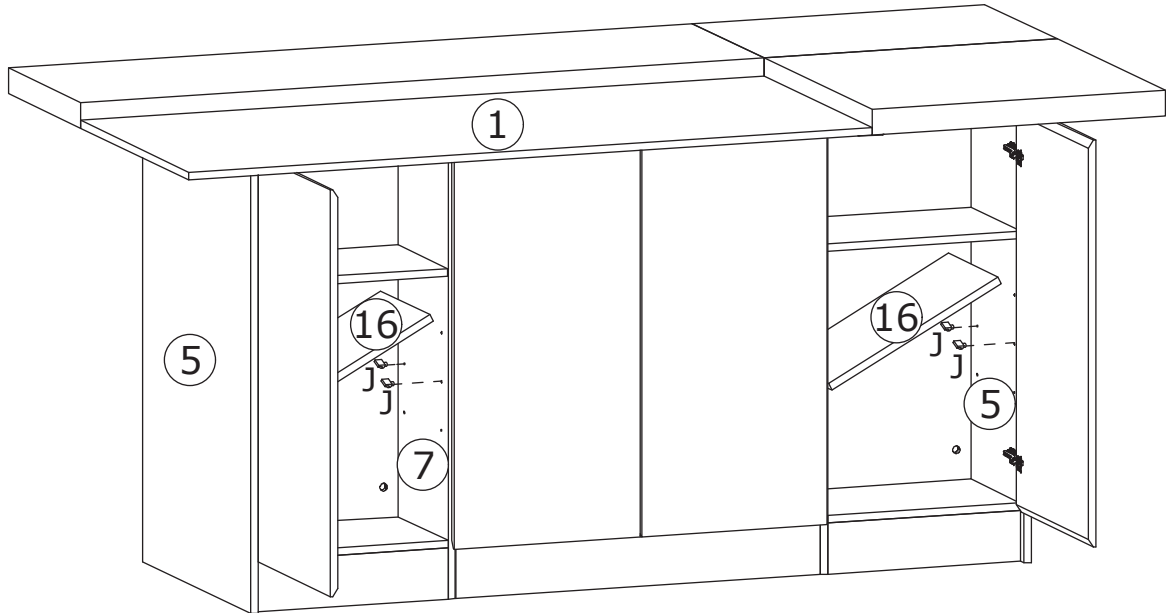


34

J x 8



Insert layer pin(J) into board 5 and 7,
then place shelf board 16 in as shown.



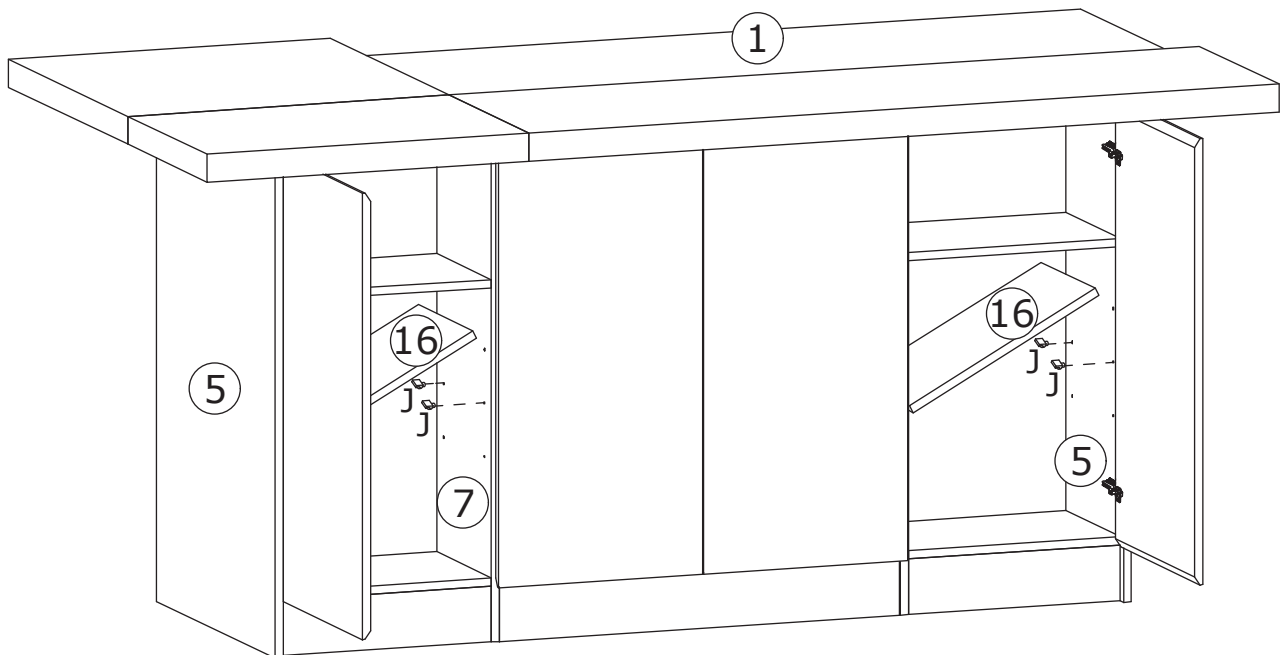
35

J x 8



The other side

Insert layer pin(J) into board 5 and 7,
then place shelf board 16 in as shown.

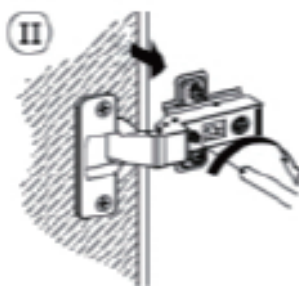
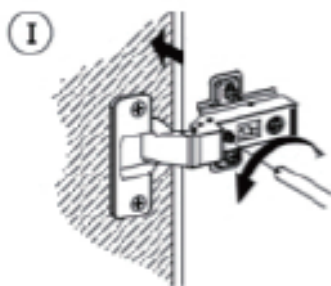
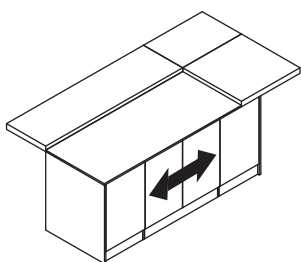
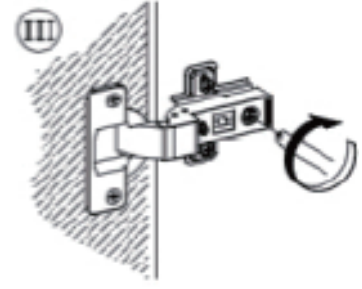
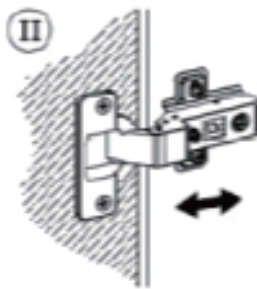
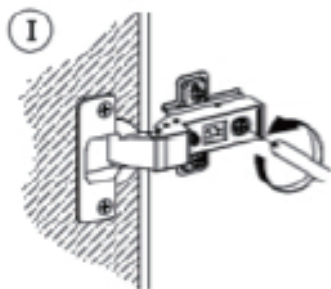
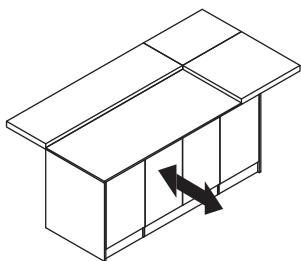
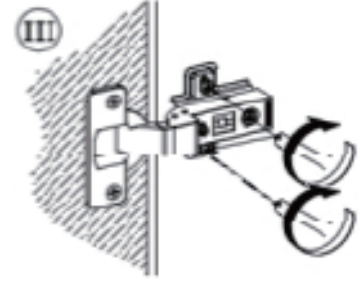
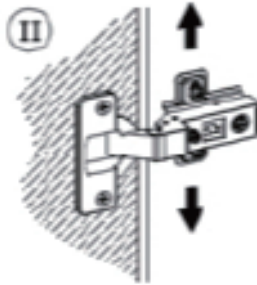
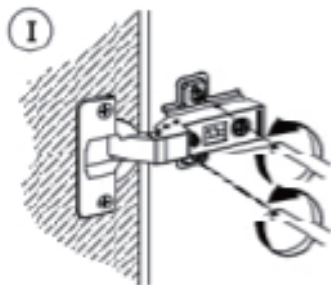
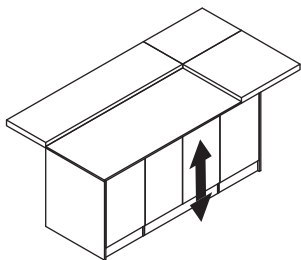
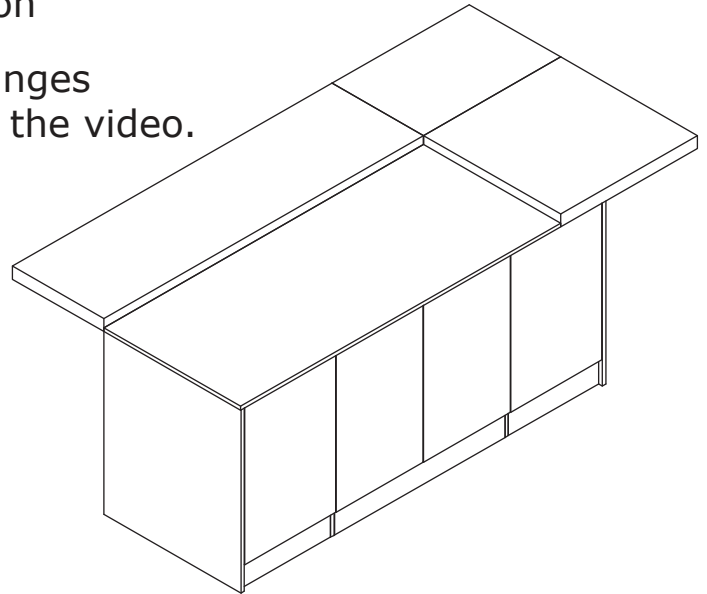


36

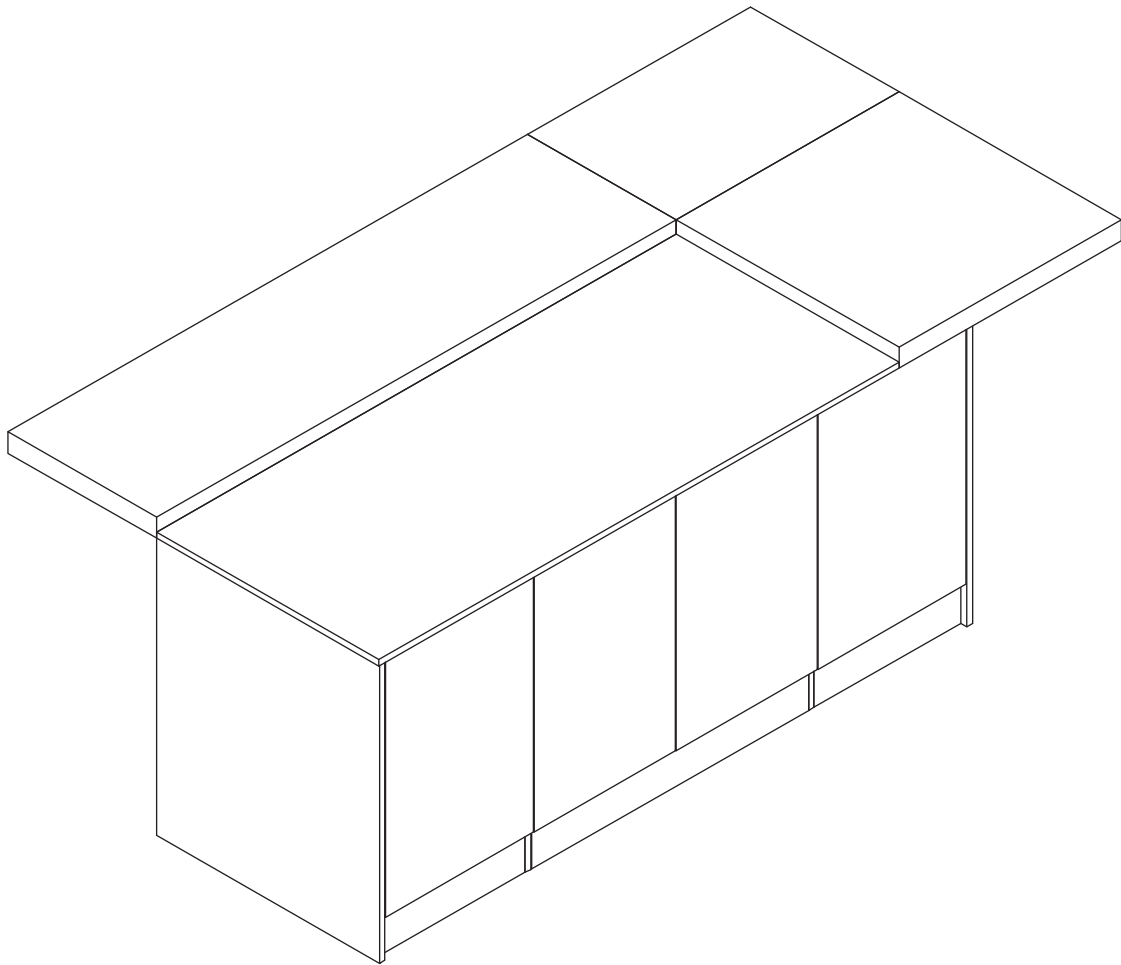
If there is misalignment after you install, adjust the screw to the best condition

If doors are still not aligned if the hinges are properly correctly, please watch the video.

<https://youtu.be/n0Lb36SoODM>



37



Warning

Must confirm the location before assembly,
once the product is assembled, it will not be able to
lift the desktop, otherwise the desktop will be damaged.

WARRANTY

WARRANTY CLAIMS

- There is a 30-day warranty for broken furniture or any other problems that do not work properly. The warranty will start from the date of purchase which must be verified by proof of purchase.
- Before making a claim, we may be able to answer your query, simply call us. Please leave your purchase order number, along with some details of the problem, if you want a replacement part. We will arrange within 48 hours. If there is out of stock, we will reply with a shipping date.
- The product must be used in accordance with the instructions provided. For health reasons.
- For other reasons, if the furniture needs to be returned, it must be cleaned and dried and operated within 30 days of receipt.

Type of Warranty Claim

- Failure to follow the furniture instructions will invalidate the warranty. Attention please.
- Does not include damage during installation, but includes damage during transportation.

Scope of responsibility

- Shall not bear any responsibility for misuse or user damage and / or loss of parts during the installation of furniture.
- After using, the damage and scratches of the furniture are not covered by the warranty.

The Warranty Relates to All Bought in The Us and Covers The Following Areas

- Sheet parts: 1 month from the date of purchase.
- Electrical parts: 1 month from the date of purchase.

RETURNS

CHANGED YOUR MIND AND NEED TO RETURN YOU ITEM?

PLEASE FOLLOW THE BELOW INSTRUCTIONS:

- If you have purchased and have simply changed your mind, follow the retailer's instructions for returns.

DEFECTIVE ITEMS

- If your item is defective in any way, i.e. it doesn't work but you can't identify why, in the first instance, please call us.

DAMAGED ITEMS

- If you receive an order with obvious shipping damage from the retailer, then we suggest the delivery is refused. If the delivery has been accepted and then shipping damage is found, please follow the specific instructions advised by the retailer.
In all circumstances please save all packaging material and paperwork for the order. Please be aware that if you dispose of packaging material or attempt to return the merchandise without contacting the fulfiller, you jeopardise your chances of making a claim, and you may not receive a credit for the return.

AFTER-SALES CONTACT



adelahu@fufugaga.com



208-820-0068