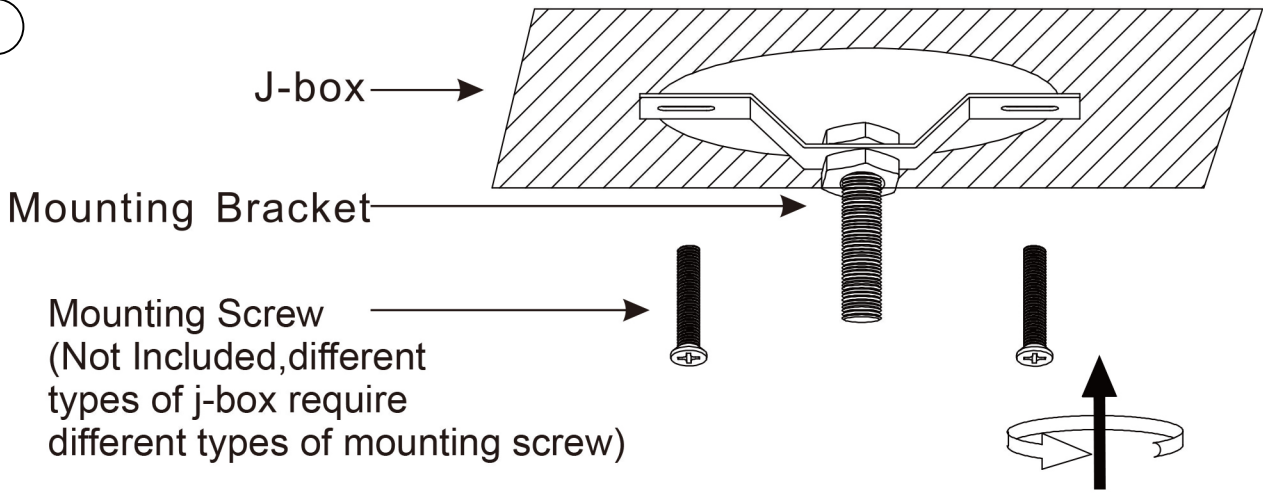


# Assembly Installation Instructions

**CAUTION:** Read instructions carefully and turn off the electricity to the circuit you're working on at the main electrical panel before beginning installation. Never attempt to work on live wires. We suggest the lighting fixture needs to be installed by a licensed electrician

①



## Step 1

Remove the Bracket on the Junction Box

Depending on the type of light fixture purchased, you may have to remove the bracket attached to the junction box.

There are three mount types:

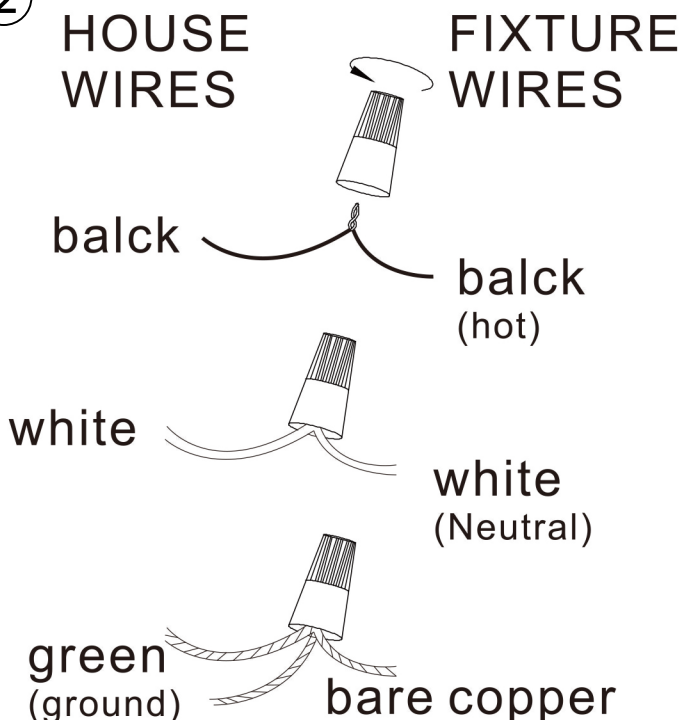
[1] Threaded bolt in the centre of the bracket.

[2] Two screws on either side of the bracket with the screw heads facing down.

[3] Two screws with the screw heads facing up.

If your new light fixture doesn't match your old mount type, you'll have to remove the bracket from the junction box and change the screws. Secure mounting bracket to ceiling j-box by tighten mounting screw

②



## Step 2.

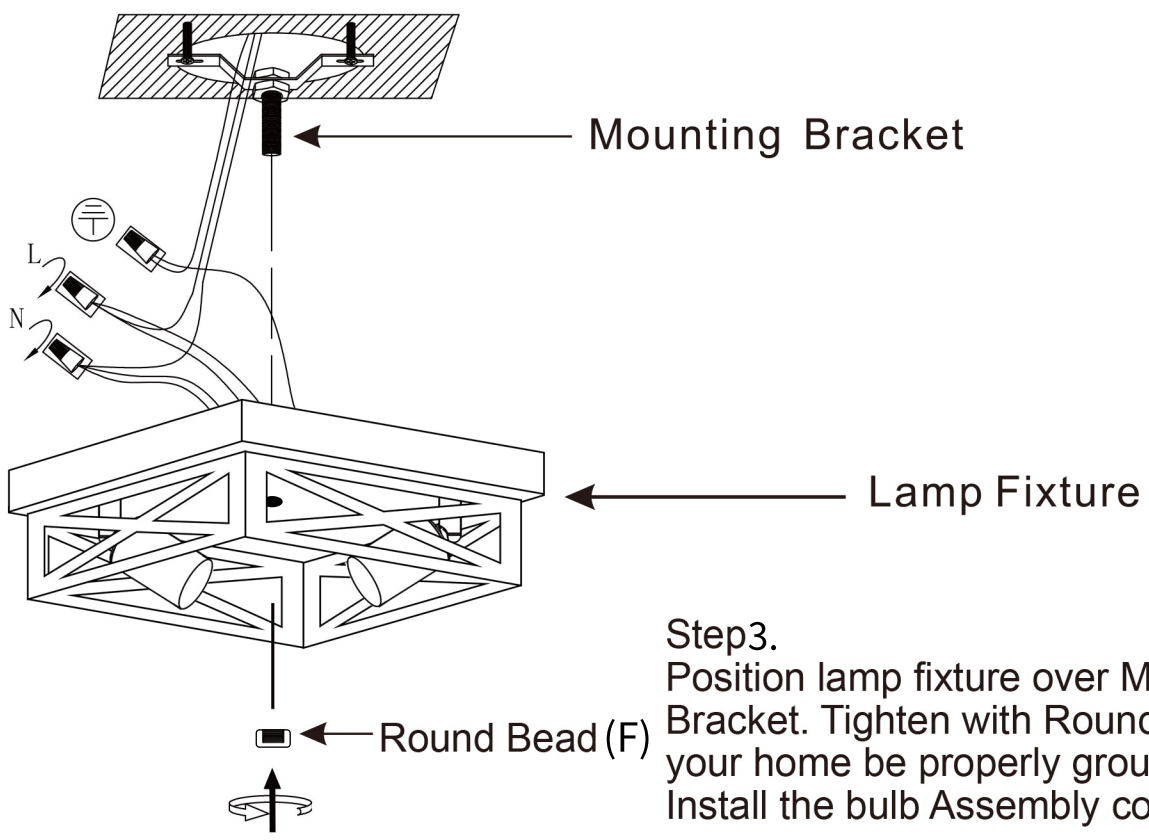
1. Connect black fixture wire to black supply wire and white fixture wire to white supply wire using wire caps (provided). Wrap connection with electrical tape.

2. Connect ground wire from canopy with ground wire from junction box using a wire cap. Wrap with electrical tape for a more secure connection.

3. Tuck all wires carefully into the J-Box.

**WARNING:** Never connect grounding wire to black or white power supply wires. It is imperative that the outlet box in your home be properly grounded.

3



Step3.  
Position lamp fixture over Mounting Bracket. Tighten with Round Bead  
your home be properly grounded  
Install the bulb Assembly complete