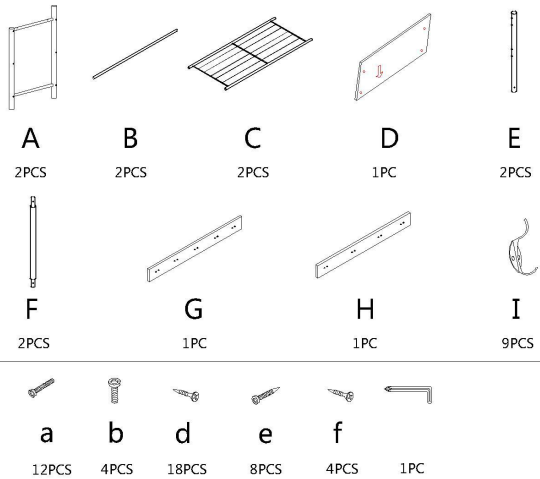
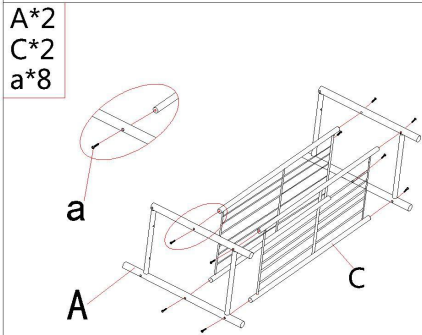


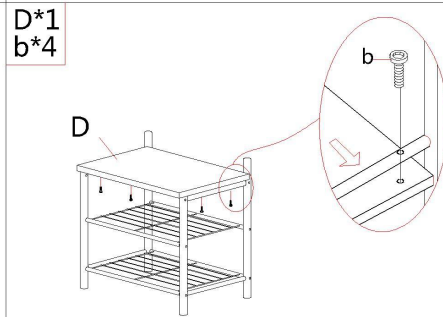
1. Please read this assembly instructions carefully before assembling the product;
2. Please check the parts quantity, and the quantity "+8pcs" for part b is the additional parts we provide for customer;
3. Cut surfaces might be sharp, do not touch the cut surface of the tube;
4. Keep your product away from sulfuric acid, and hot or burning sources; do not expose the product directly to sunlight.



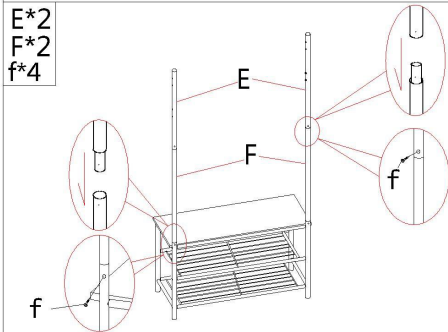
Setp 1



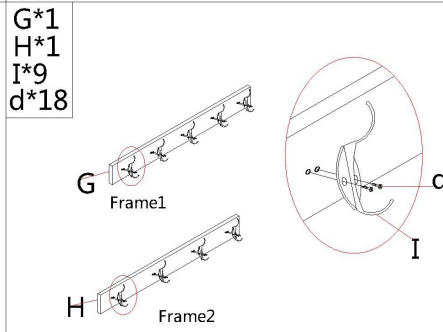
Setp 2



Setp 3



Setp 4



Step 5

B*2
a*4
e*8

