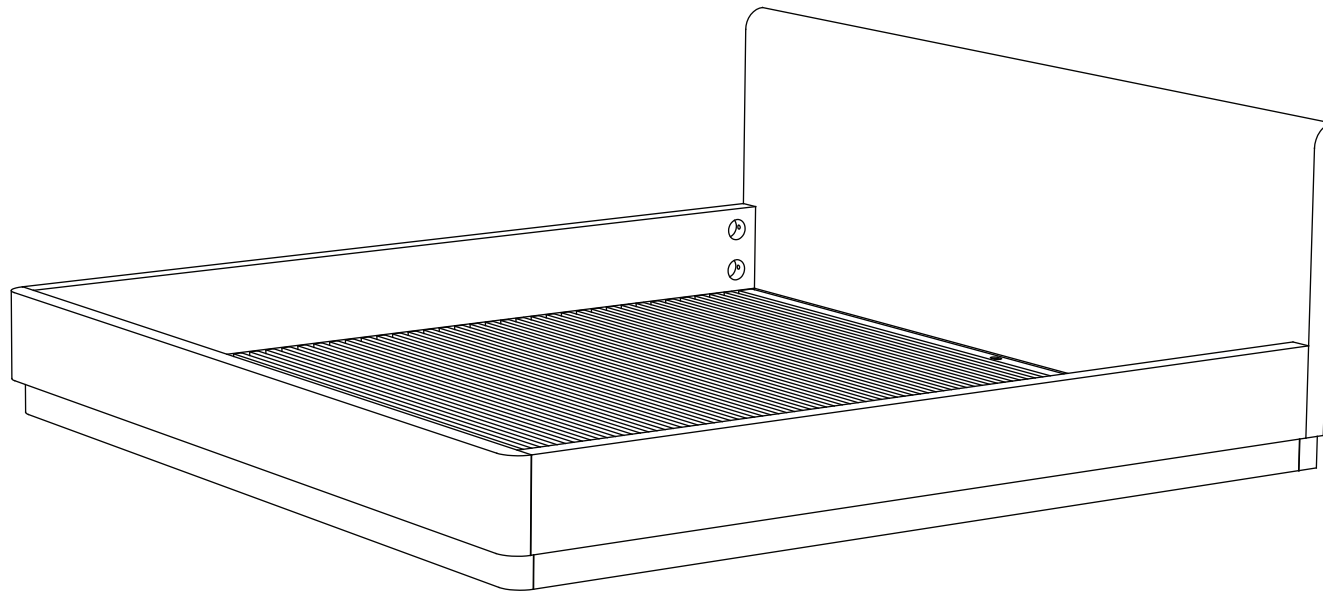
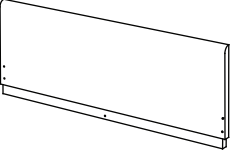
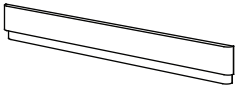
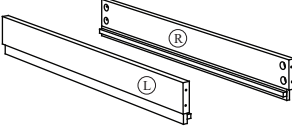
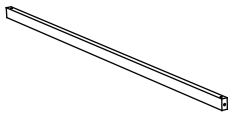
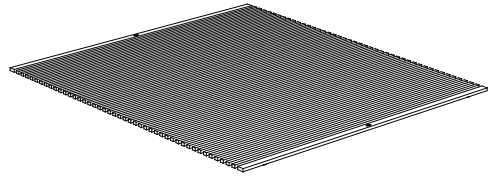
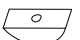





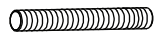


ASSEMBLY INSTRUCTIONS .
ROUND OFF KING BED WALNUT



THANK YOU FOR YOUR PURCHASE !

PARTS AND HARDWARE .

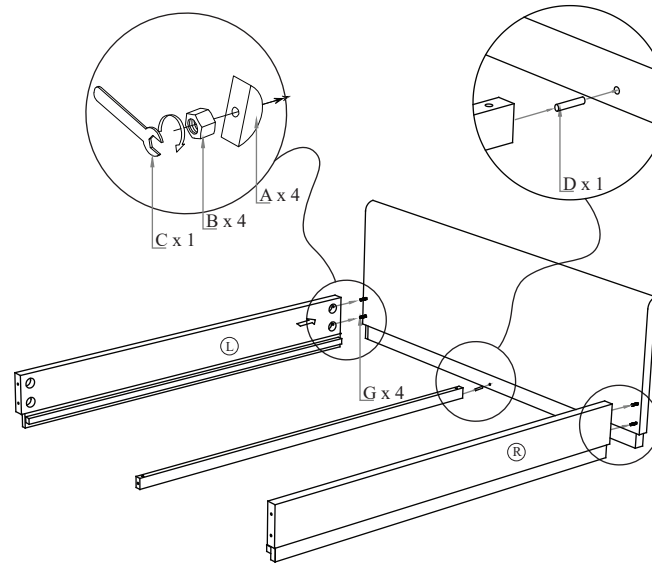
| | |
|--|---|
| 1. HEADBOARD x 1  | 2. FOOTBOARD x 1  |
| 3. LEFT SIDERAIL x 1 RIGHT SIDERAIL x 1  | 4. SUPPORT BAR x 1  |
| 5. SLAT x 1  | |
| A. HALF MOON x 8PCS  | B. HEX NUT M8 x 8PCS  |
| C. WRENCH M13 x 1PCS  | D. WOODEN DOWEL x 2PCS  |
| E. ALLEN KEY M4 x 1PCS  | F. BOLT (M6x25) x 2PCS  |
| G. THREAD BOLT (M8x80) x 8PCS  | |

NOTES.

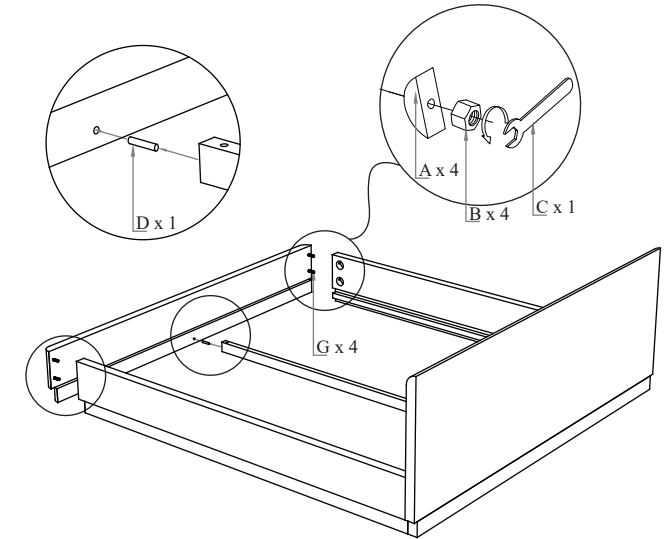
Thank you for purchasing this quality product !
Be sure to check all packing material carefully
for small part that may have come loose inside
the carton during shipping.

CAUTION: The item is heavy, assembly should
be performed by two people.

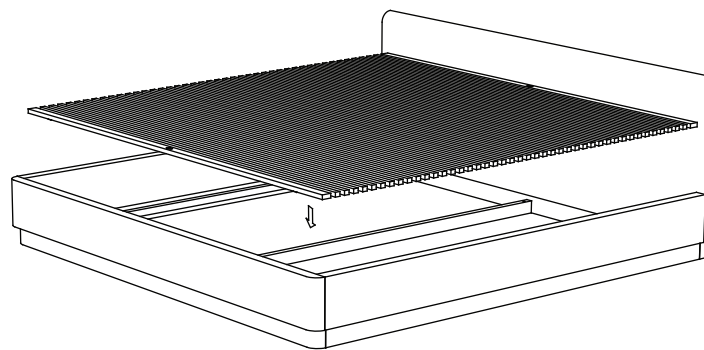
STEP 1.



STEP 2.



STEP 3.



STEP 4.

