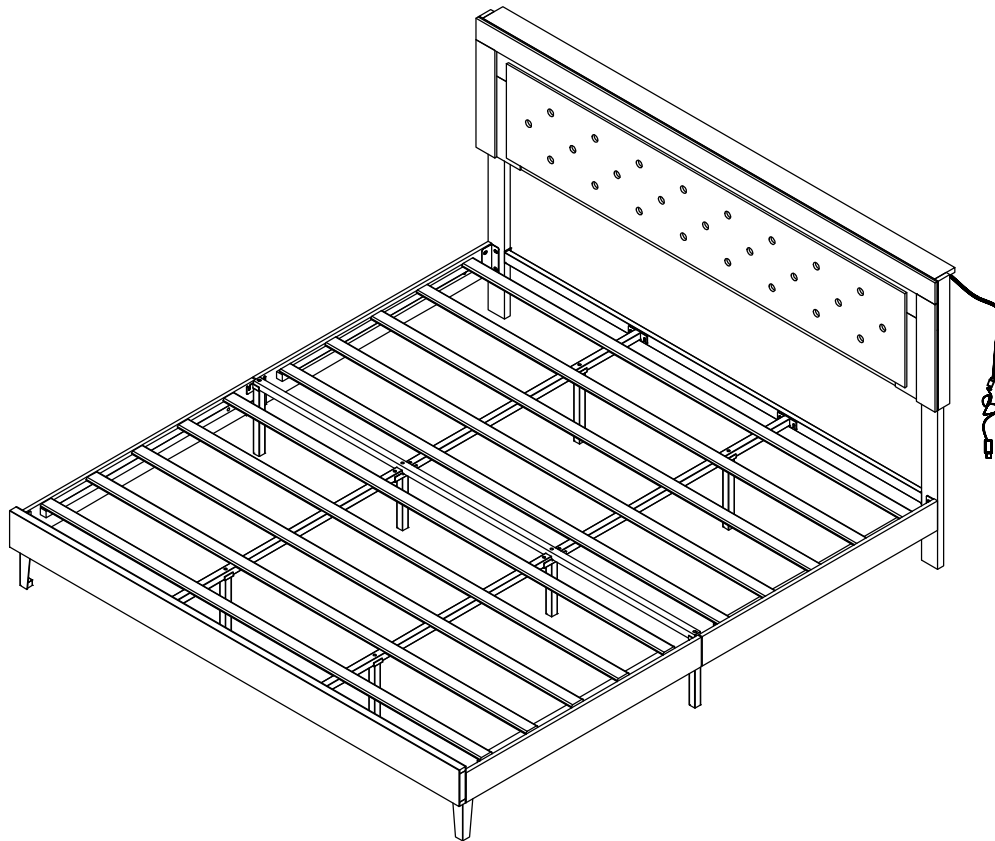


Assembly Instruction

Note:

1. Should be assembled on flat ground to keep balance.
2. Before completing the installation, do not tighten the screws.

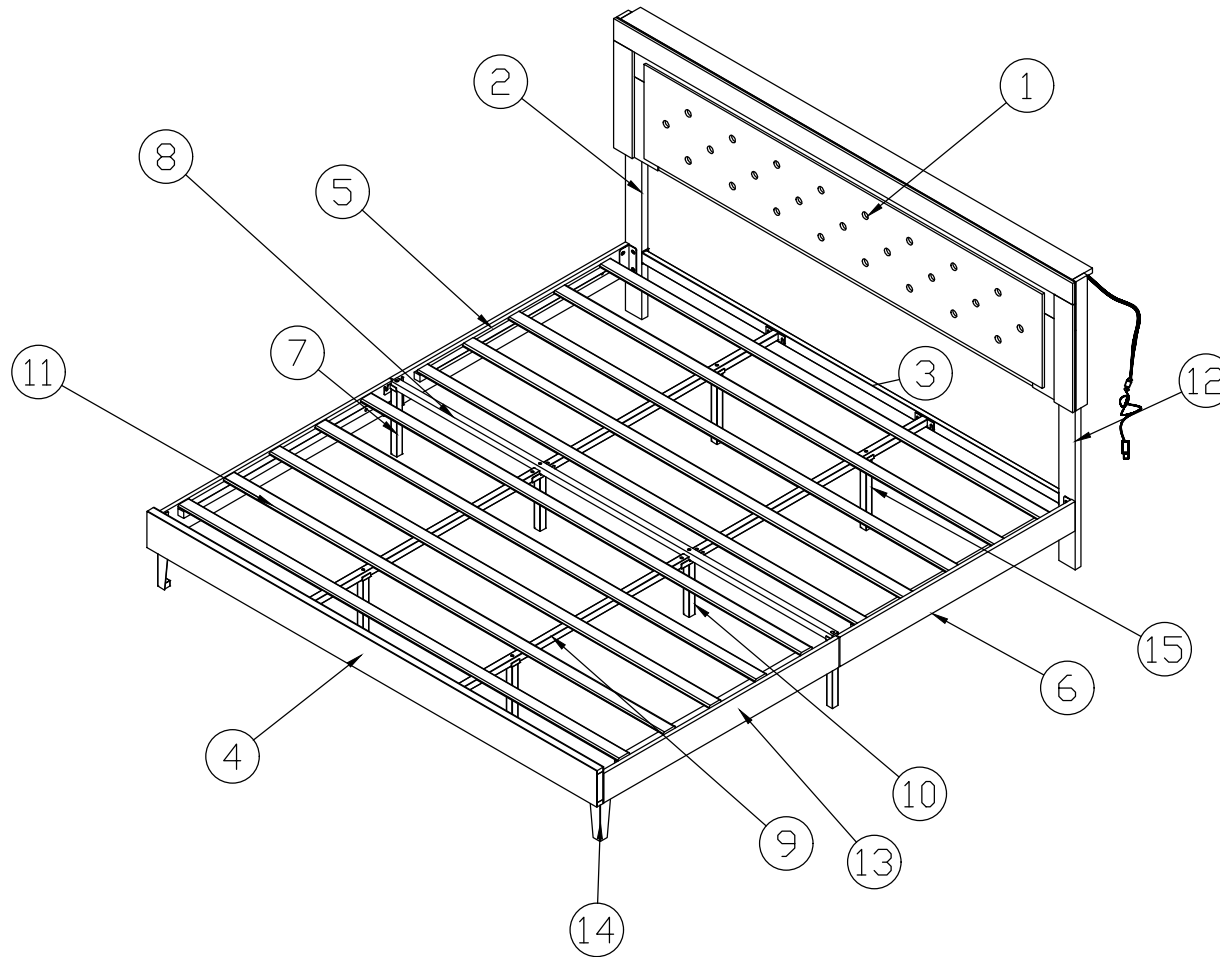


It needs at least two people to install.



Before starting the assembly, you must read the whole manual and follow the instructions.

Assembly Instruction

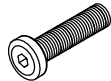


Assembly Instruction

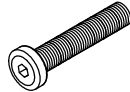
Hardware Parts



Ⓐ M8x20
30pcs



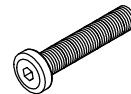
Ⓑ M8x35
10pcs



Ⓒ M8x40
4pcs



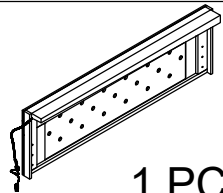
Ⓓ 4 #
1pc



Ⓔ M8x50
2pcs

Part list

①



1 PC

②



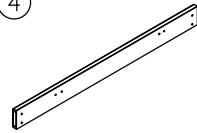
1 PC

③



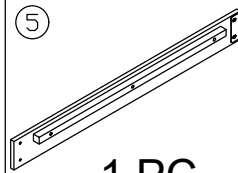
1 PC

④



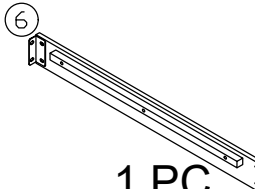
1 PC

⑤



1 PC

⑥



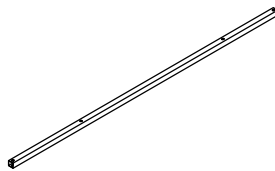
1 PC

⑦



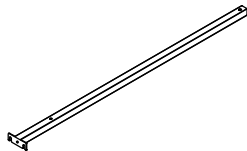
2 PCS

⑧



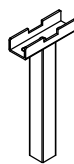
1 PC

⑨



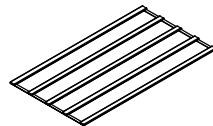
4 PCS

⑩



2 PCS

⑪



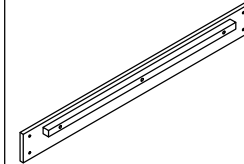
2 PCS

⑫



1 PC

⑬



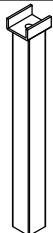
2 PCS

⑭





2 PCS

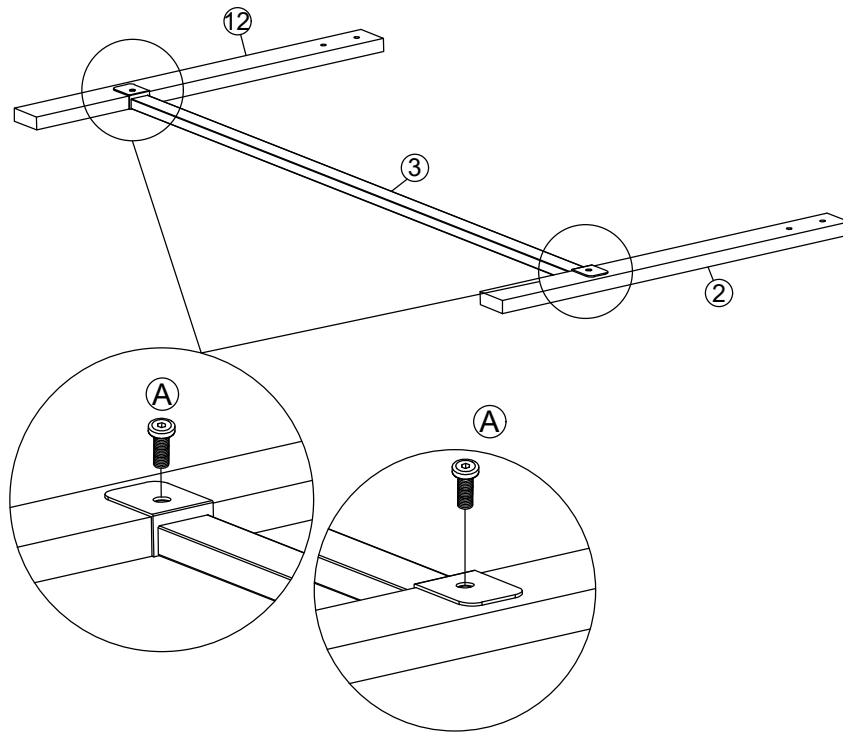
⑮





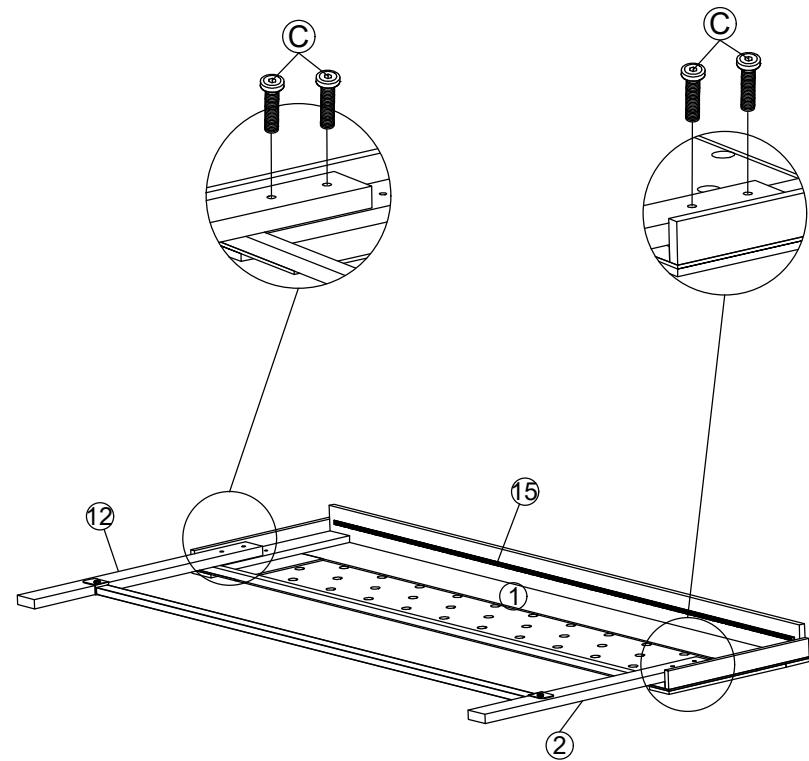
4 PCS

Assembly Instruction

A	 M8*20	2 pcs
D		1 pc

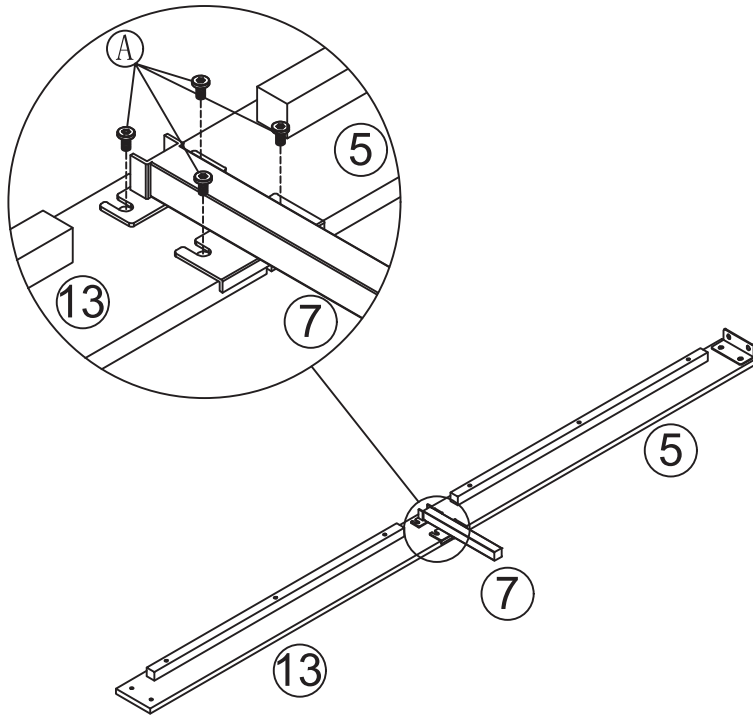




C	 M8*40	4 pcs
D		1 pc

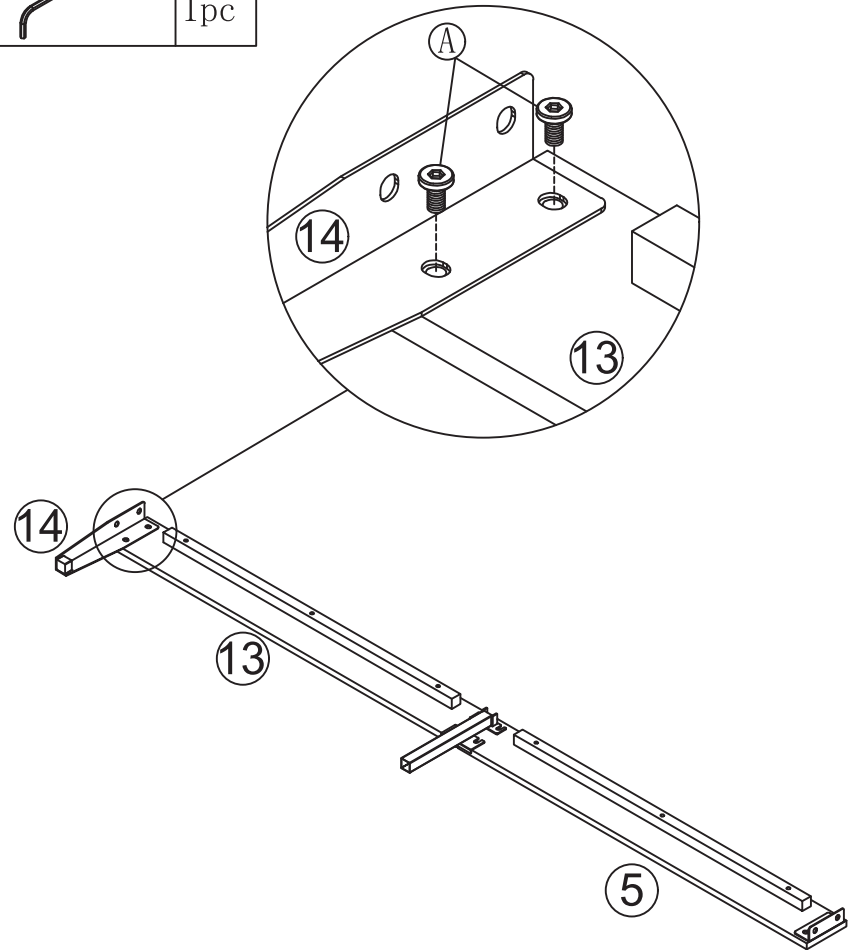


Assembly Instruction

A	 M8x20	4pcs
D		1pc

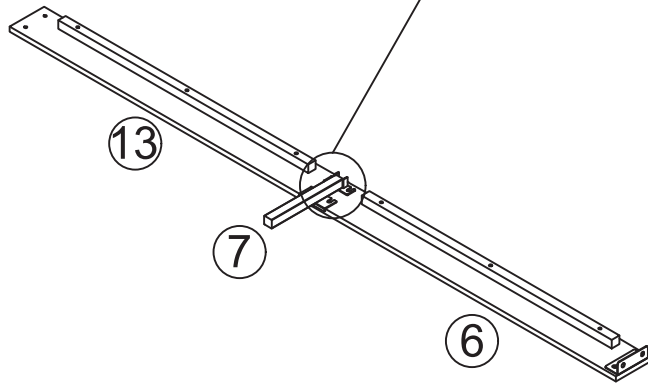
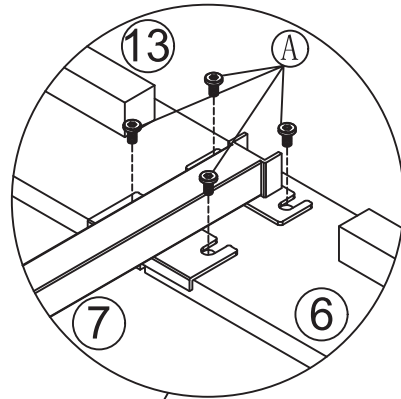




A	 M8x20	2pcs
D		1pc

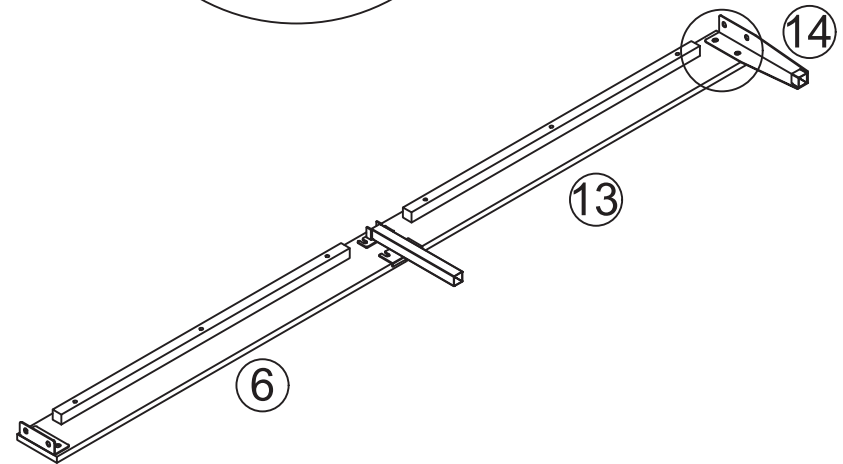
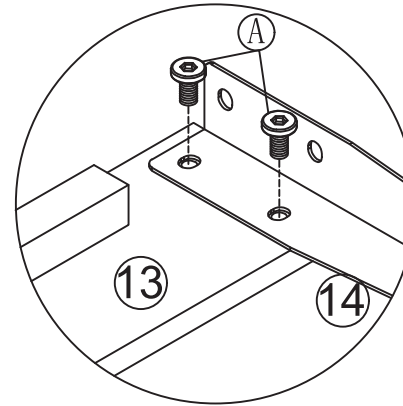


Assembly Instruction



A	 M8x20	4pcs
D		1pc

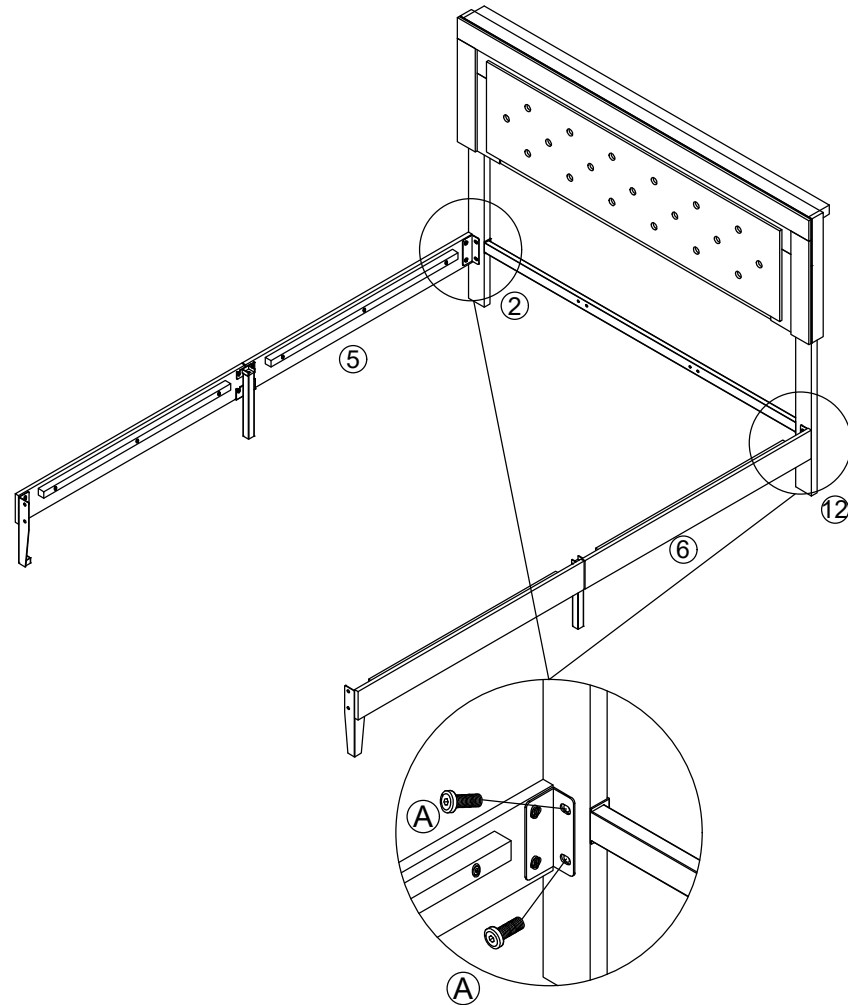




A	 M8x20	2pcs
D		1pc

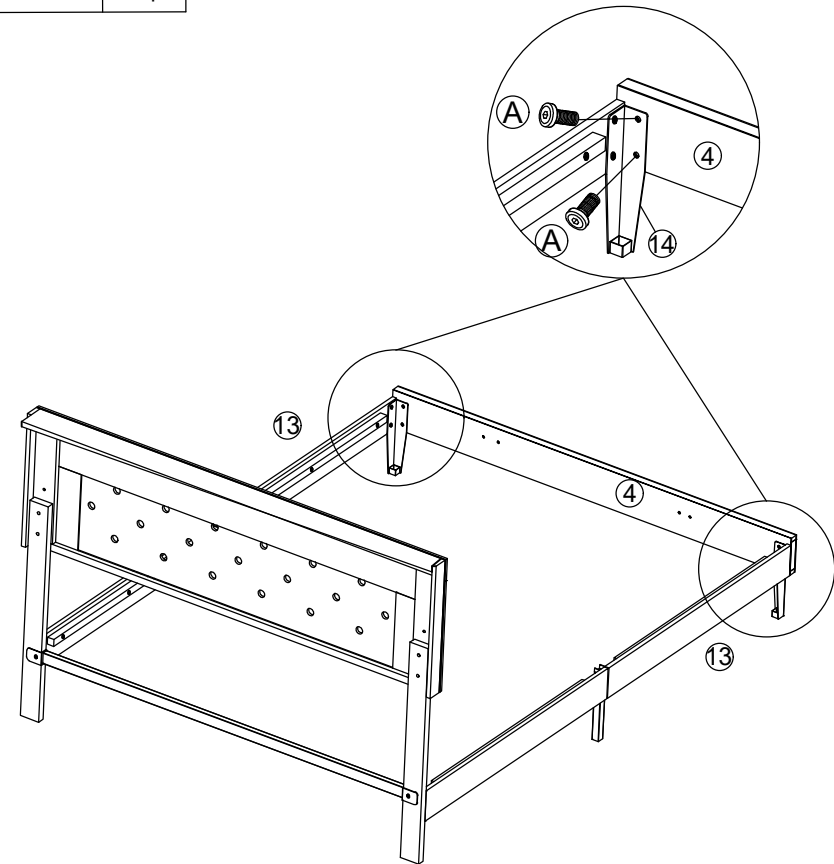


Assembly Instruction




A	 M8*20	4 pcs
D		1 pc

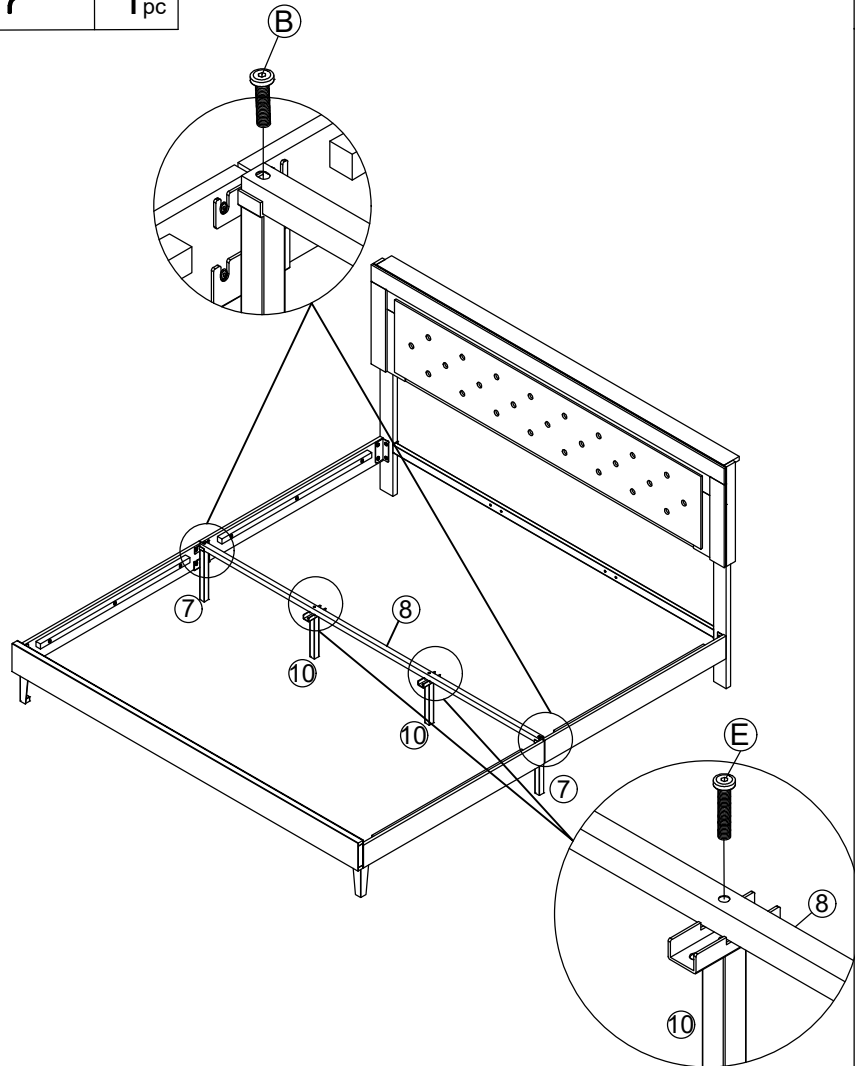




A	 M8*20	4 pcs
D		1 pc

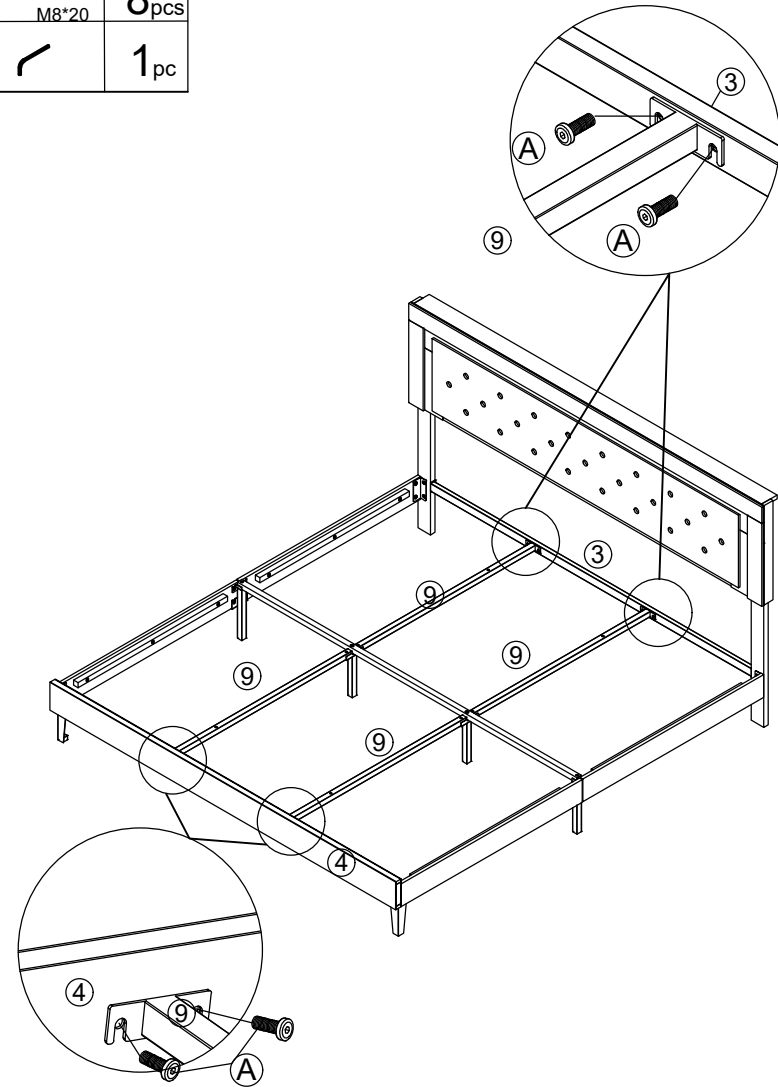


Assembly Instruction



B	 M8*35	2 pcs	E	 M8*50	2 pcs
D		1 pc			



A	 M8*20	8 pcs	D		1 pc
---	---	-------	---	---	------



Assembly Instruction

B	 M8*35	8 pcs
D		1 pc

